

PRODUCT NUMBER BPS8B21ACD-CO----

WITH "LF" SUFFIX	LEAD FREE OR RoHS COMPATIBLE PRODUCT
WITHOUT SUFFIX	LEADED PRODUCT

WIRE ACCOMODATION		
PRODUCT NUMBER	WIRE SIZE	CONTACT IDENTIFICATION
BPS8B21ACD0C0--	AWG28/30	0
BPS8B21ACD2C0--	AWG24/26	2

CONTACT PLATING	
PLATING CODE	PERFORMANCE LEVEL PER DIN41612
Z0	CLASS 3
Z1	CLASS 2
E9	CLASS 1

PERFORMANCES CHARACTERISTICS

- VOLTAGE RATING : 250 VAC (rms)
- CURRENT RATING : 1,5 A AT 25 °C, 1 A AT 70 °C.
- INSULATION RESISTANCE : 1000MΩINITIAL, 100MΩMIN. AFTER TEST
- DIELECTRIC WITH- STANDING VOLTAGE : 1000 VAC (rms).
- CONTACT RESISTANCE : 15mΩMAX. INITIAL, 5mΩMAX. RISE OF INITIAL VALUE AFTER TEST.
- OPERATING TEMPERATURE*: -40 °C TO +125 °C.
- INSERTION FORCE : 1 N MAX./CONTACT.
- WITHDRAWAL FORCE : 0,2 N MIN./CONTACT.

*DEPENDING ON THE CABLE, THE MAX. TEMPERATURE CAN BE LOWER.
FOR STANDARD PVC INSULATED CABLE : 105 °C MAX.

CONSTRUCTION

- BODY MATERIAL : GLASS-REINFORCED THERMOPLASTIC (UL94V-0).
- COVER MATERIAL : POLYESTER (PBTP), COLOUR : BLACK.
- CONTACT MATERIAL : PHOSPHOR BRONZE.
- CONTACT FINISH : Au OVER Ni IN CONTACT AREA, SnPb ON SnPb ON I.D.C. TERMINAL FOR LEADED PRODUCTS. Sn (MATTE TIN) ON I.D.C. TERMINAL FOR LEAD FREE PRODUCTS.

- Z0 : PERFORMANCE LEVEL PER DIN41612 CLASS 3
- Z1 : PERFORMANCE LEVEL PER DIN41612 CLASS 2
- E9 : PERFORMANCE LEVEL PER DIN41612 CLASS 1
- OTHERS : CONSULT FCI

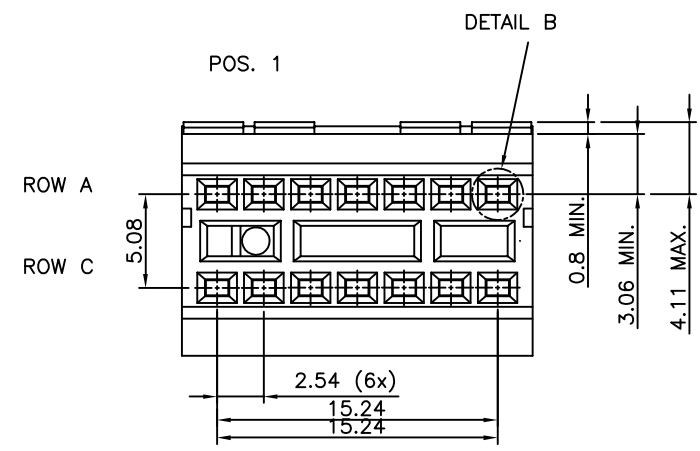
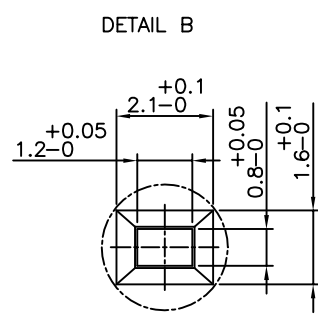
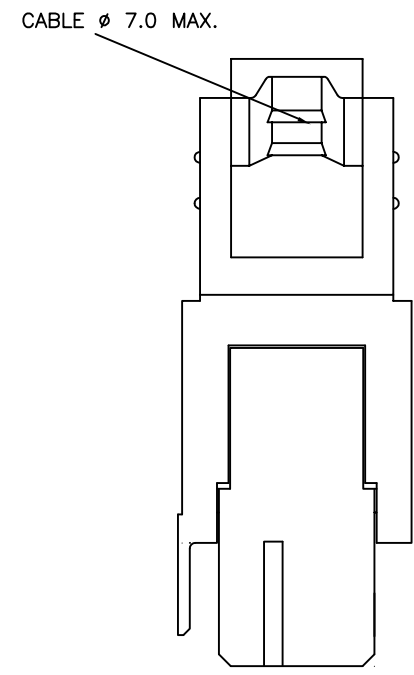
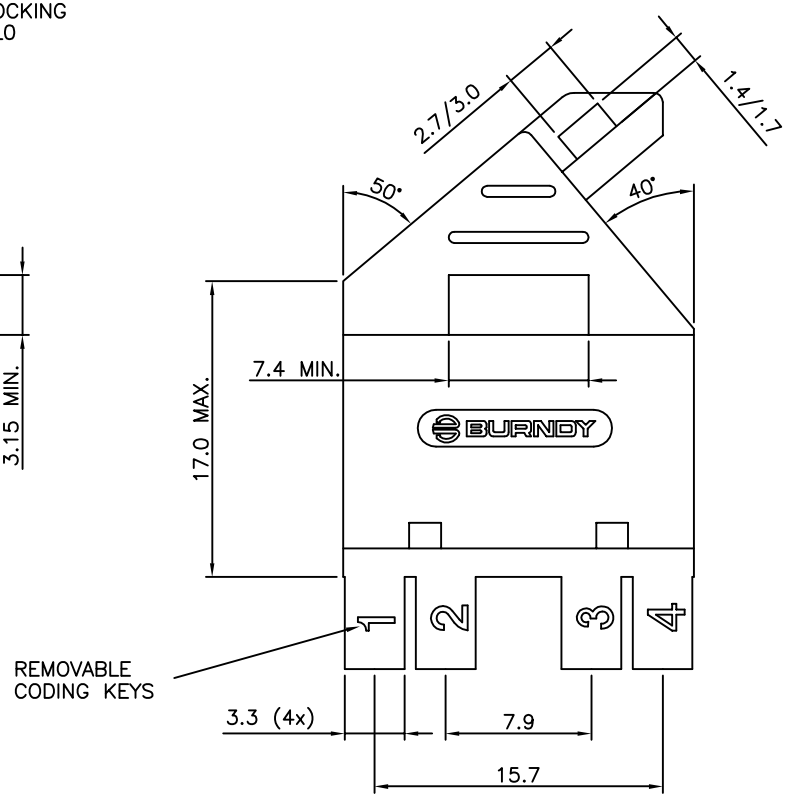
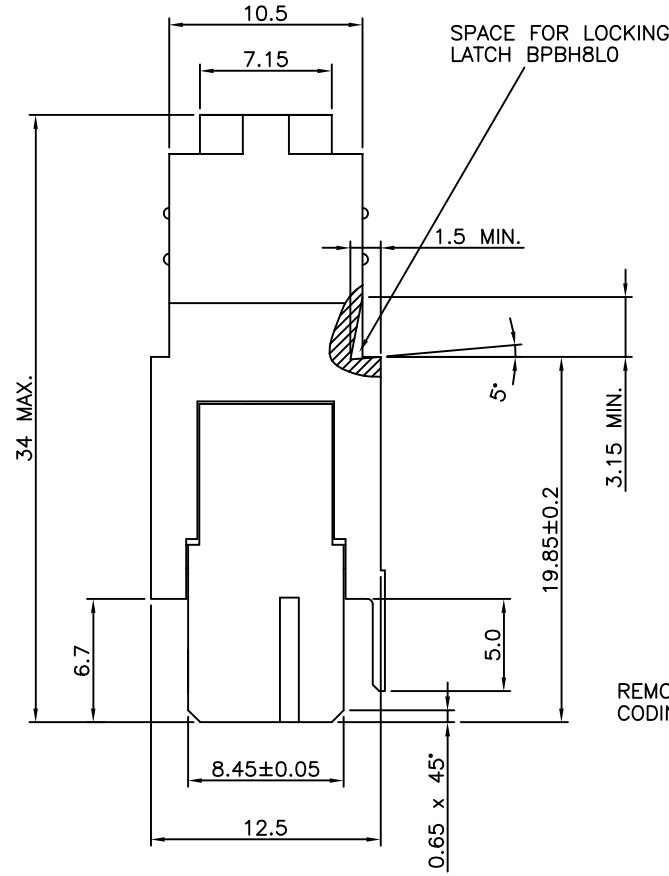
TIE-WRAP : OPTIONAL (PART N°. TF3)

AWG WIRE SIZE MARKING

- BPS8B21ACD0C0-- : 28/30.
- BPS8B21ACD0C0--LF : 28/30.
- BPS8B21ACD2C0-- : 24/26.
- BPS8B21ACD2C0--LF : 24/26.

DATECODE MARKING

A + YEAR & WEEKCODE, EXAMPLE : A9950.



mat'l. code		surface		tolerance		projection		product family	
SEE NOTE		ISO 1302		ISO 406 ISO 1101		mm		BPS8	
litr ecn no dr date		tolerances unless otherwise specified		angles linear		mm		title	
A F00819 DLE 2000-10-23								ASSY BPS8	
B I05-0123 MINI 2005-07-27								21 POS. A,C LOADED	
C I06-0067 MINI 2006-06-01				±1'		scale -			
		dr D.LEGRAND		2000-10-23		FCI		dwg no sheet 1 of 3 size	
		enr J.F.NOTTEAU		2000-10-23				55351 A3	
		chr RAKHEE GEORGE		2006-06-01				type Product Customer Drawing	
		appd RAKHEE GEORGE		2006-06-01					
sheet index		revision sheet		C C C					
		1 2 3							

PRODUCT NUMBER BPS8B21ACD-00-----

WITH "LF" SUFFIX	LEAD FREE OR RoHS COMPATIBLE PRODUCT
WITHOUT SUFFIX	LEADED PRODUCT

WIRE ACCOMODATION		
PRODUCT NUMBER	WIRE SIZE	CONTACT IDENTIFICATION
BPS8B21ACD000--	AWG28/30	0
BPS8B21ACD200--	AWG24/26	2

CONTACT PLATING	
PLATING CODE	PERFORMANCE LEVEL PER DIN41612
Z0	CLASS 3
Z1	CLASS 2
E9	CLASS 1

NOTES:-
 1. THE "LF" PRODUCTS MEET EUROPEAN UNION DIRECTIVES AND OTHER COUNTRY REGULATIONS AS DESCRIBED IN GS-22-008
 2. LEAD FREE OR RoHS DIRECTIVE LABELING TO BE PROVIDED AS PER GS-14-920 FOR RoHS COMPATIBLE VERSION.

PERFORMANCES CHARACTERISTICS

VOLTAGE RATING : 250 VAC (rms)
 CURRENT RATING : 1,5 A AT 25 °C, 1 A AT 70 °C.
 INSULATION RESISTANCE : 1000MΩINITIAL, 100MΩMIN. AFTER TEST
 DIELECTRIC WITH-
 STANDING VOLTAGE : 1000 VAC (rms).
 CONTACT RESISTANCE : 15mΩMAX. INITIAL, 5mΩMAX. RISE OF INITIAL VALUE AFTER TEST.
 OPERATING TEMPERATURE*: -40 °C TO +125 °C.
 INSERTION FORCE : 1 N MAX./CONTACT.
 WITHDRAWAL FORCE : 0,2 N MIN./CONTACT.
 *DEPENDING ON THE CABLE, THE MAX. TEMPERATURE CAN BE LOWER.
 FOR STANDARD PVC INSULATED CABLE : 105 °C MAX.

CONSTRUCTION

BODY MATERIAL : GLASS-REINFORCED THERMOPLASTIC (UL94V-0).
 CONTACT MATERIAL : PHOSPHOR BRONZE.
 CONTACT FINISH : Au OVER Ni IN CONTACT AREA
 SnPb ON I.D.C. TERMINAL FOR LEADED PRODUCTS.
 Sn (MATTE TIN) ON I.D.C. TERMINAL FOR LEAD FREE PRODUCTS.
 Z0 : PERFORMANCE LEVEL PER DIN41612 CLASS 3
 Z1 : PERFORMANCE LEVEL PER DIN41612 CLASS 2
 E9 : PERFORMANCE LEVEL PER DIN41612 CLASS 1
 OTHERS : CONSULT FCI

PART NUMBERS

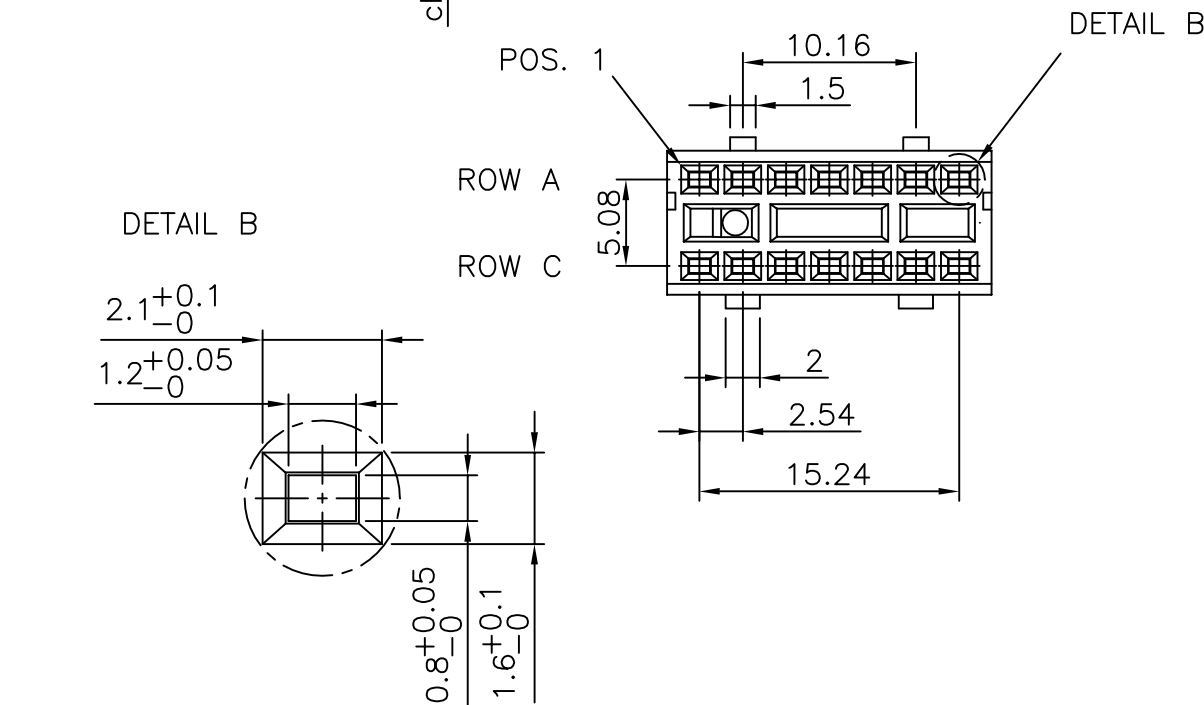
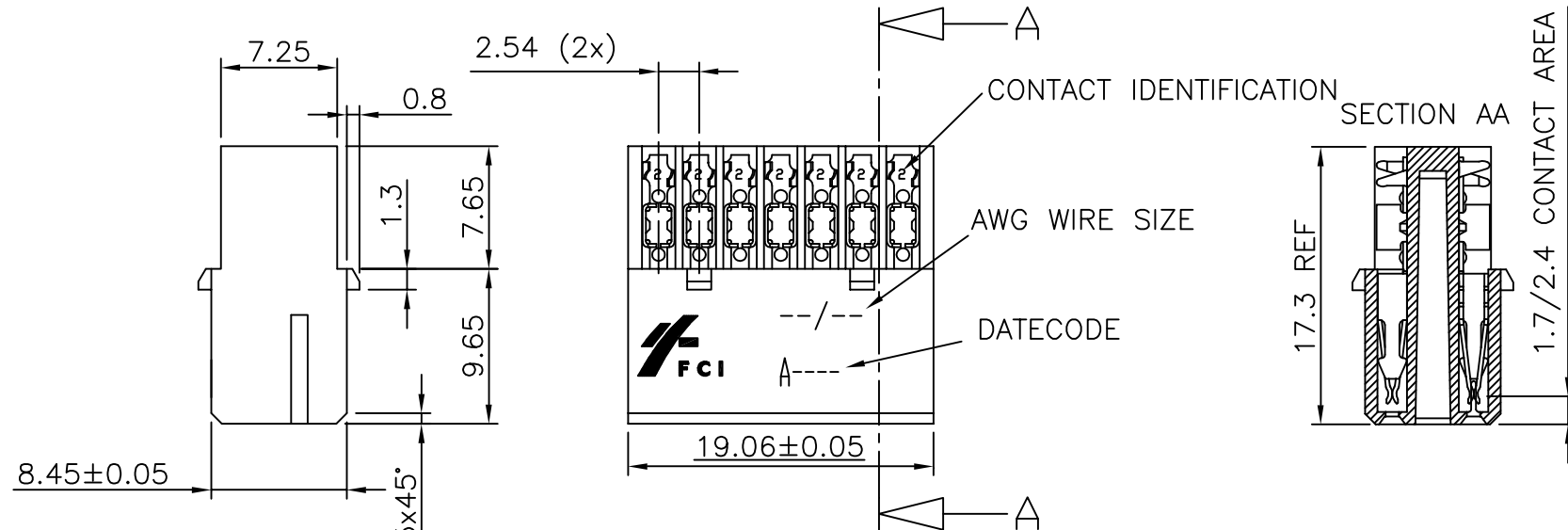
BPS8B21ACD000-- CONNECTOR FOR WIRE SIZE AWG28, AWG30.
 (CONTACT IDENTIFICATION : 0).
 BPS8B21ACD200-- CONNECTOR FOR WIRE SIZE AWG24, AWG26
 (CONTACT IDENTIFICATION : 2).

AWG WIRE SIZE MARKING

BPS8B21ACD000-- :28/30.
 BPS8B21ACD000--LF :28/30.
 BPS8B21ACD200-- :24/26.
 BPS8B21ACD200--LF :24/26.

DATECODE MARKING

A + YEAR & WEEKCODE, EXAMPLE : A9950.



mat'l. code		surface		tolerance		projection		product family	
SEE NOTE		ISO 1302		ISO 406 ISO 1101		mm		BPS8	
ltr	ecn no	dr	date	tolerances unless otherwise specified		mm		title	
A	F00819	DLE	2000-10-19	angles	linear	mm		ASSY BPS8	
B	I05-0123	MINI	2005-07-27			mm		21 POS. A,C LOADED	
C	I06-0067	MINI	2006-06-01	±1'		scale -			
		dr		D.LEGRAND		2000-10-19		dwg no	
		enr		J.F.NOTTEAU		2000-10-19		sheet 2 of 3	
		chr		RAKHEE GEORGE		2006-06-01		55351	
		app		RAKHEE GEORGE		2006-06-01		size	
sheet index		revision sheet						A3	
								type Product Customer Drawing	



Copyright FCI

PRODUCT NUMBER BPS8B21ACD100L9

LEADED PRODUCT

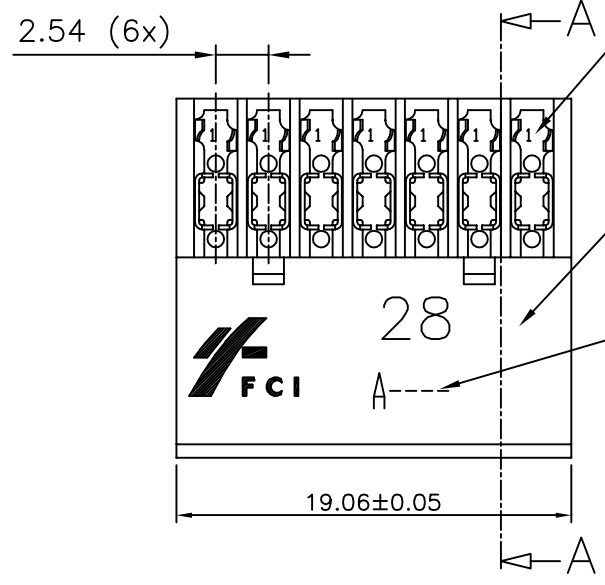
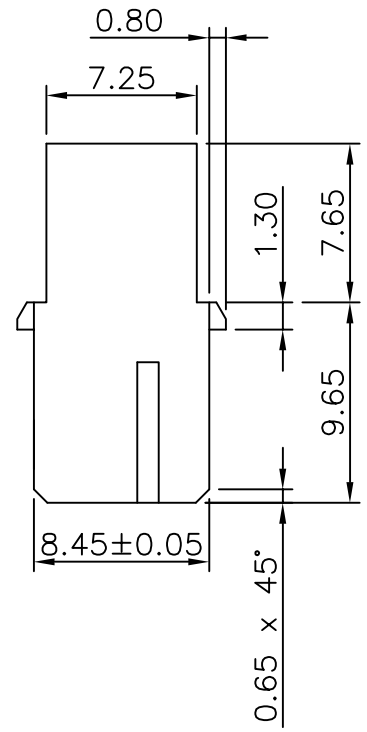
PRODUCT NUMBER BPS8B21ACD100L9LF

LEAD FREE OR RoHS
COMPATIBLE PRODUCT

CONTACT IDENTIFICATION

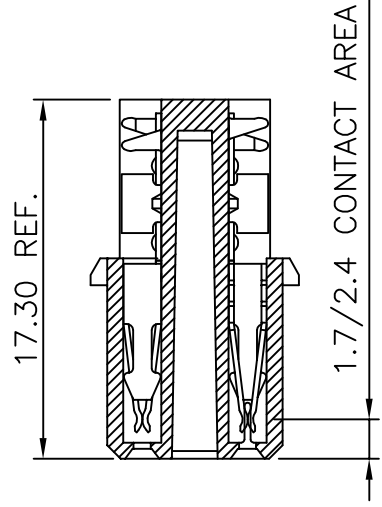
SECTION AA

NOTES:-
 1. THE "LF" PRODUCTS MEET EUROPEAN UNION DIRECTIVES AND OTHER COUNTRY REGULATIONS AS DESCRIBED IN GS-22-008
 2. LEAD FREE OR RoHS DIRECTIVE LABELING TO BE PROVIDED AS PER GS-14-920 FOR RoHS COMPATIBLE VERSION.



AWG WIRE SIZE

DATECODE



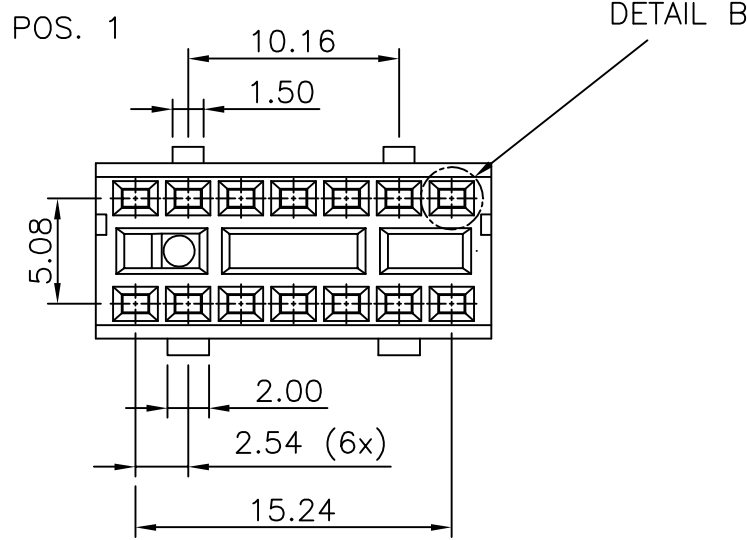
PERFORMANCES CHARACTERISTICS
 VOLTAGE RATING : 250 VAC (rms)
 CURRENT RATING : 1,5 A AT 25 °C, 1 A AT 70 °C.
 INSULATION RESISTANCE : 1000MΩINITIAL, 100MΩMIN. AFTER TEST
 DIELECTRIC WITH-
 STANDING VOLTAGE : 1000 VAC (rms).
 CONTACT RESISTANCE : 15mΩMAX. INITIAL, 5mΩMAX. RISE OF INITIAL VALUE AFTER TEST.
 OPERATING TEMPERATURE*: -40 °C TO +125 °C.
 INSERTION FORCE : 1 N MAX./CONTACT.
 WITHDRAWAL FORCE : 0,2 N MIN./CONTACT.
 *DEPENDING ON THE CABLE, THE MAX. TEMPERATURE CAN BE LOWER.
 FOR STANDARD PVC INSULATED CABLE : 105 °C MAX.

CONSTRUCTION
 BODY MATERIAL : GLASS-REINFORCED THERMOPLASTIC (UL94V-0).
 CONTACT MATERIAL : PHOSPHOR BRONZE.
 CONTACT FINISH : 1.25μ Au MIN. OVER 2μ Ni MIN. IN CONTACT AREA
 SnPb ON I.D.C. TERMINAL FOR LEADED PRODUCTS.
 Sn (MATTE TIN) ON I.D.C. TERMINAL FOR LEAD FREE PRODUCTS.

CABLE : 3M FLEXIBLE TWISTED PAIR CABLE (WIRES & CABLE) TYPE 3782 PER UL STYLE/20488 OR TYPE 3783 PER UL STYLE/2935.

PART NUMBERS
 BPS8B21ACD100L9-- CONNECTOR FOR WIRE SIZE AWG28.
 (CONTACT IDENTIFICATION : 1).

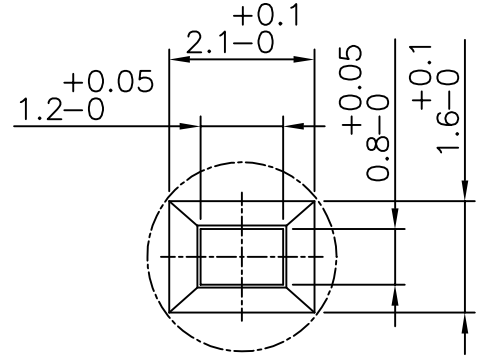
AWG WIRE SIZE MARKING
 BPS8B21ACD100L9 : 28
 BPS8B21ACD100L9LF : 28
DATECODE MARKING
 A + YEAR & WEEKCODE, EXAMPLE : A9950.



DETAIL B

ROW A
ROW C

DETAIL B



mat'l. code		surface		tolerance		projection		product family		
SEE NOTE		ISO 1302		ISO 406 ISO 1101		mm		BPS8		
ltr	ecn no	dr	date	tolerances unless otherwise specified		mm		title		
A	F00819	DLE	2000-10-20	angles	linear	mm		ASSY BPS8		
B	I05-0123	MINI	2005-07-27			mm		21 POS. A,C LOADED		
C	I06-0067	MINI	2006-06-01	±1'			scale -			
		dr	D.LEGRAND	2000-10-20		FCI		dwg no		
		enr	J.F.NOTTEAU	2000-10-20				sheet 3 of 3		size
		chr	RAKHEE GEORGE	2006-06-01				55351		A3
		appd	RAKHEE GEORGE	2006-06-01				type		Product Customer Drawing
sheet index	revision sheet									



Copyright FCI