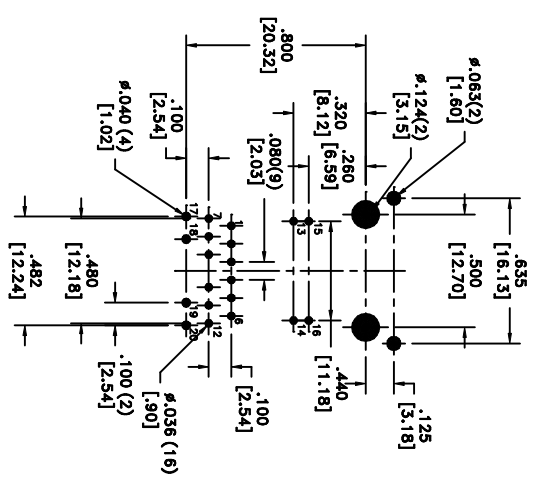
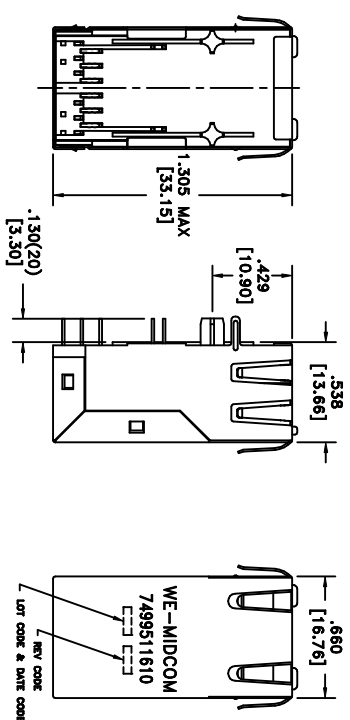
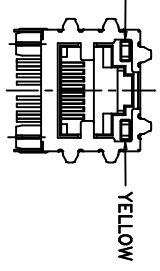


CUSTOMER TERMINAL	RoHS	LEAD(Pb)-FREE
Sn100x	Yes	Yes



P.C. PATTERN, RECOMMENDED
TOLERANCES, COMPONENT SIDE

REV.	DATE
00	4/08

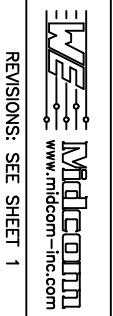
Packaging Specifications
Troy

Unless otherwise specified:
Tolerances: Fractions: ±1/64
Angles: ±1°
Decimals: ±.010[.25]

This drawing is dual dimensioned. Dimensions in brackets are in millimeters.

DRAWING TITLE
TRANSFORMER
Gigabit&PoE+

eiSos p/n: 7499511610



DRAWING NO. 7499511610
SCALE ---
SHEET 2 OF 6

ELECTRICAL SPECIFICATIONS @ 25°C unless otherwise noted

- INDUCTANCE: 350nH min., 100kHz, 100mV, 18mADC, J1-J2; J3-J6, J4-J5; J7-J8 Lp.
- DIELECTRIC RATING: 1500Vrms or 2250VDC for 1 minute between Pri to Sec.
- TURNS RATIO/POLARITY: Per schematic.
- INSERTION LOSS: -1.0dB max., 1MHz - 100MHz.
- RETURN LOSS:
 - 18dB min., 1M - 30MHz.
 - 16dB min., 30M - 45MHz.
 - 14dB min., 45M - 60MHz.
 - 12dB min., 60M - 80MHz.
 - 10dB min., 80M - 100MHz.
- CROSSTALK: -30dB typ., 1MHz - 100MHz.
- COMMON MODE REJECTION: -35dB min., 1MHz - 100MHz.
- OPERATING TEMPERATURE RANGE: 0°C to +70°C.
- Designed to handle 600mADC and meet 802.3at.

