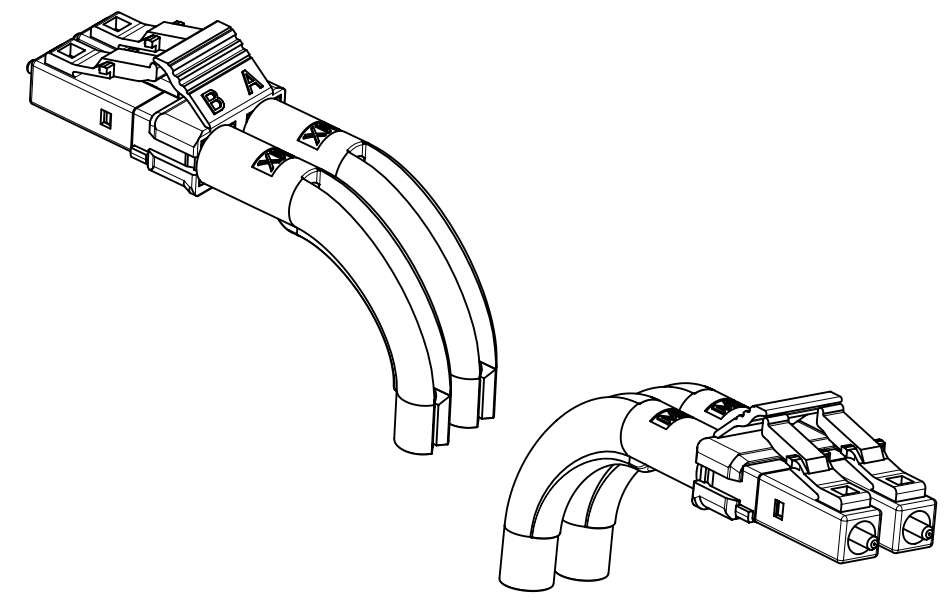
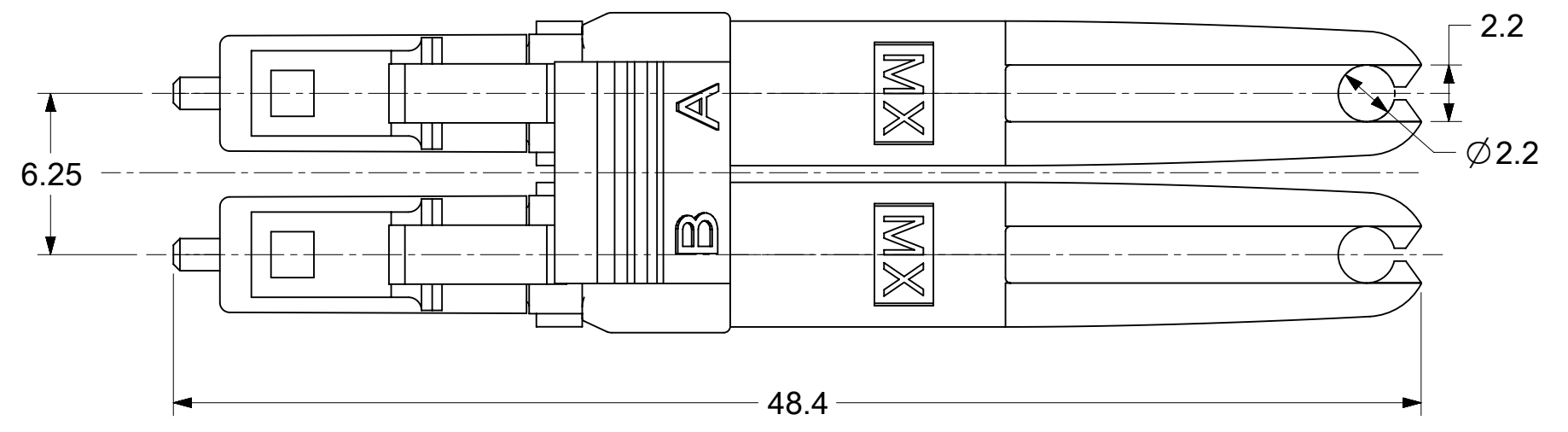
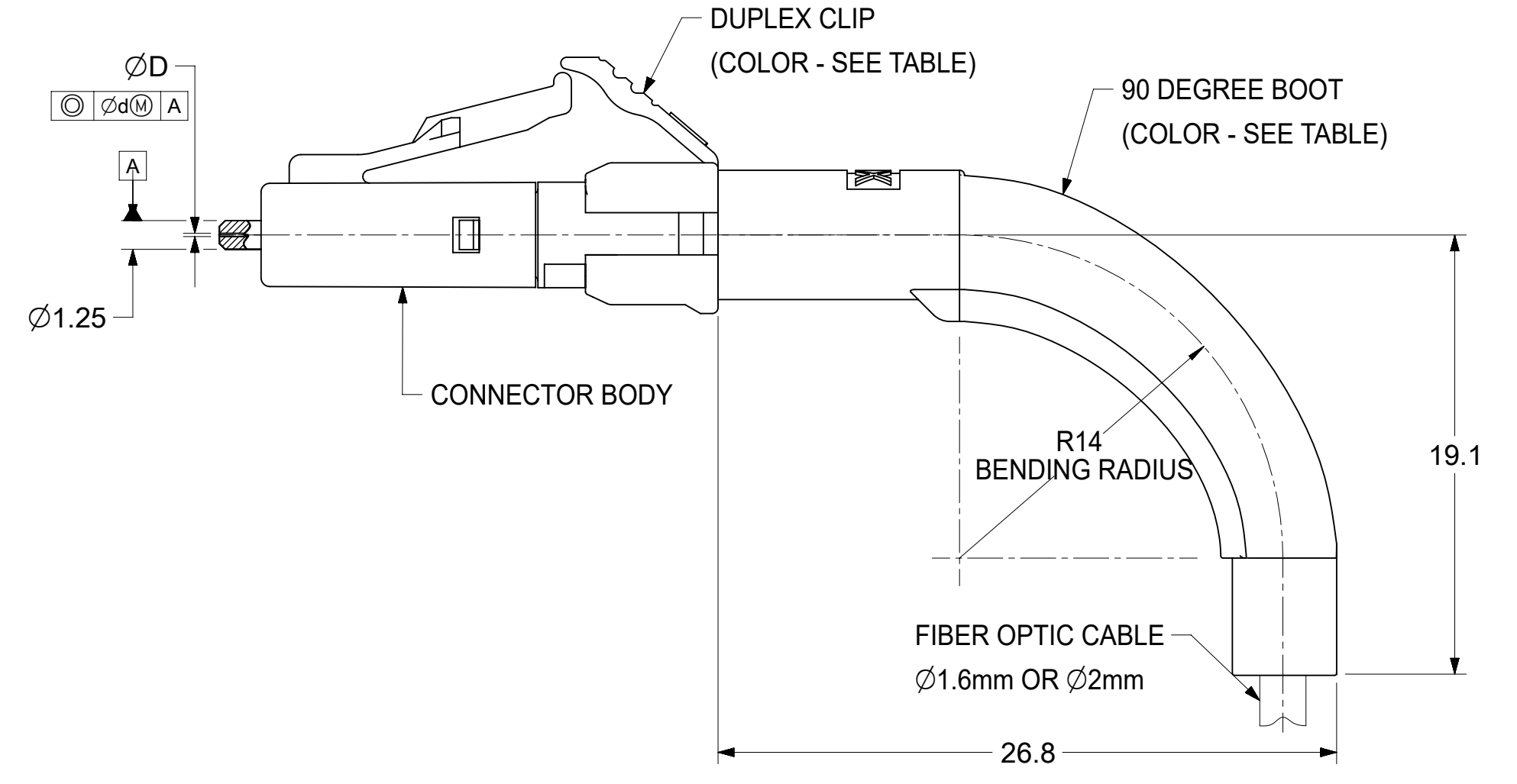
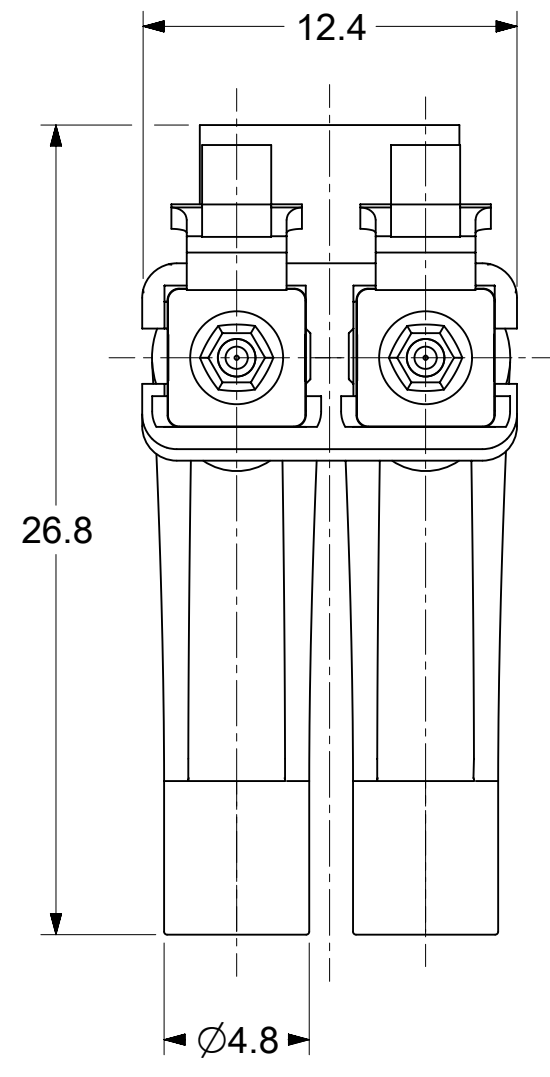


CONNECTOR P/N	CONNECTOR TYPE	FERRULE HOLE $\phi D(\mu m)$	FERRULE HOLE CONCENTRICITY $\phi d(\mu m)$	HOUSING COLOR	BOOT COLOR	LOGO VERSION
1060257420	SINGLE MODE	125.5	1.0	BLUE	WHITE	MOLEX LOGO
1060257451					BLUE	
1060257452					BEIGE	
1060257453					YELLOW	
1060257454					WHITE	
1060257455					RED	
1060257456		NO LOGO			126.0	GREEN
1060257457						BLUE
1060257458						BEIGE
1060257459						YELLOW
1060257460						WHITE
1060257461						RED
1060257462						GREEN
1060257470						MUTIMODE
1060257471	WHITE					



ISOMETRIC VIEWS  
SCALE 1.5:1



- NOTES:
1. ALL DIMENSIONS ARE FOR REFERENCE ONLY.
  2. TUBING P/N 86024-2012 MUST BE SHORTENED AFTER FILLING THE EPOXY ACCORDING TO THE TERMINATION PROCEDURE P/N PS-86028-2000
  3. DUST CAPS ARE NOT SHOWN.
  4. DUPLEX CLIP AND BOOT(90DEGREE) SHOULD BE ASSEMBLED AFTER POLISH OPERATION.

THIS DRAWING CONTAINS INFORMATION THAT IS PROPRIETARY TO MOLEX ELECTRONIC TECHNOLOGIES, LLC AND SHOULD NOT BE USED WITHOUT WRITTEN PERMISSION											
DIMENSION UNITS		SCALE		CURRENT REV DESC:							
mm		5:1									
GENERAL TOLERANCES (UNLESS SPECIFIED)				EC NO: 695254 DRWN: JHUANG18 2022/01/20 CHK'D: IGUMIN 2022/04/29 APPR: IGUMIN 2022/04/29							
ANGULAR TOL $\pm 0.5^\circ$				INITIAL REVISION: DRWN: DBALTRUKONIS 2006/10/30 APPR: IGUMIN 2006/10/31							
4 PLACES $\pm$				DOCUMENT NUMBER		DOC TYPE		DOC PART		REVISION	
3 PLACES $\pm$				SD-106025-74XX		PSD		001		D	
2 PLACES $\pm$				MATERIAL NUMBER		CUSTOMER		SHEET NUMBER			
1 PLACE $\pm$				SEE TABLE		GENERAL MARKET		1 OF 1			
0 PLACES $\pm$											
DRAFT WHERE APPLICABLE MUST REMAIN WITHIN DIMENSIONS				THIRD ANGLE PROJECTION		DRAWING		SERIES			
						C-SIZE		106025			