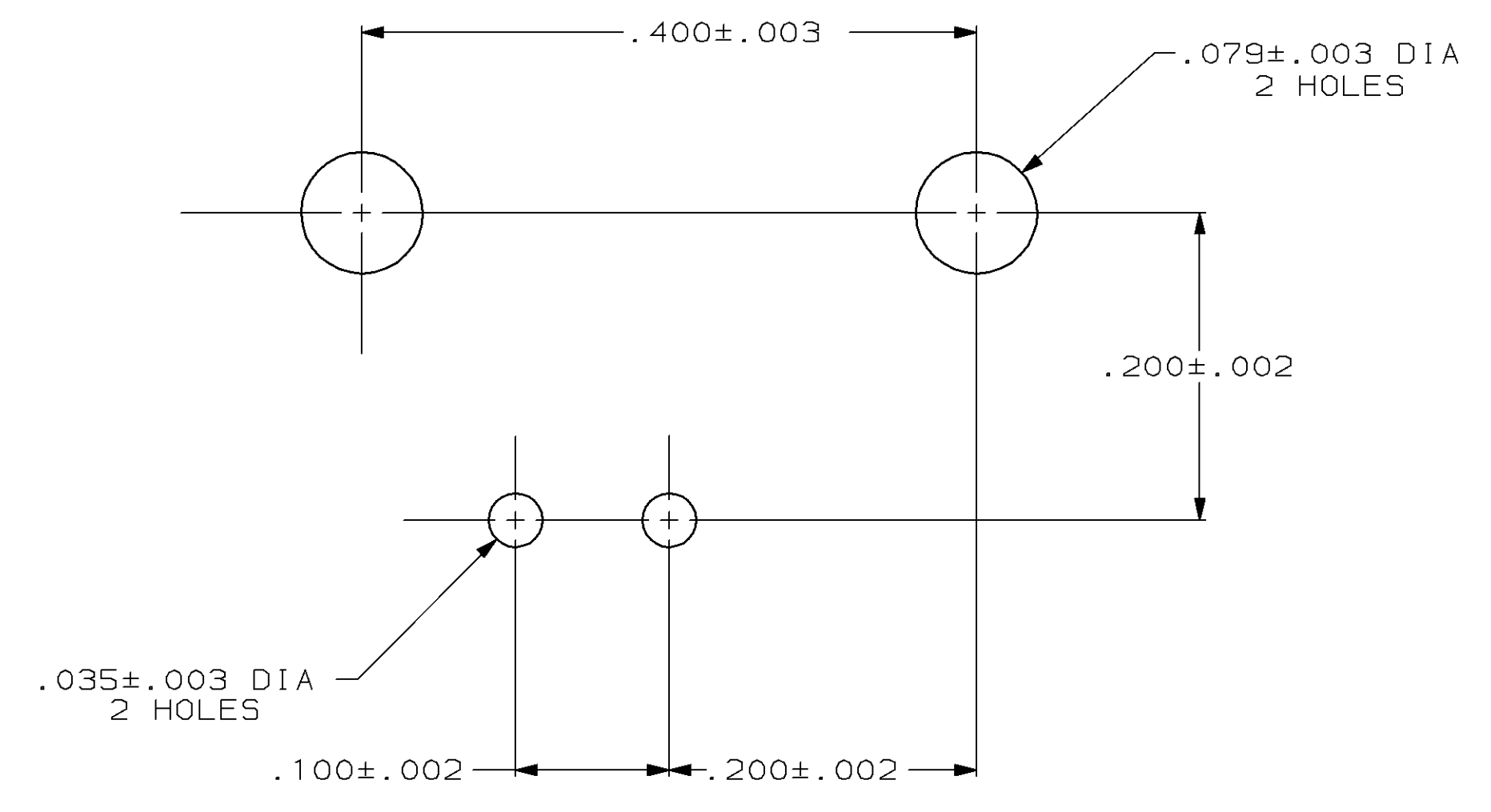
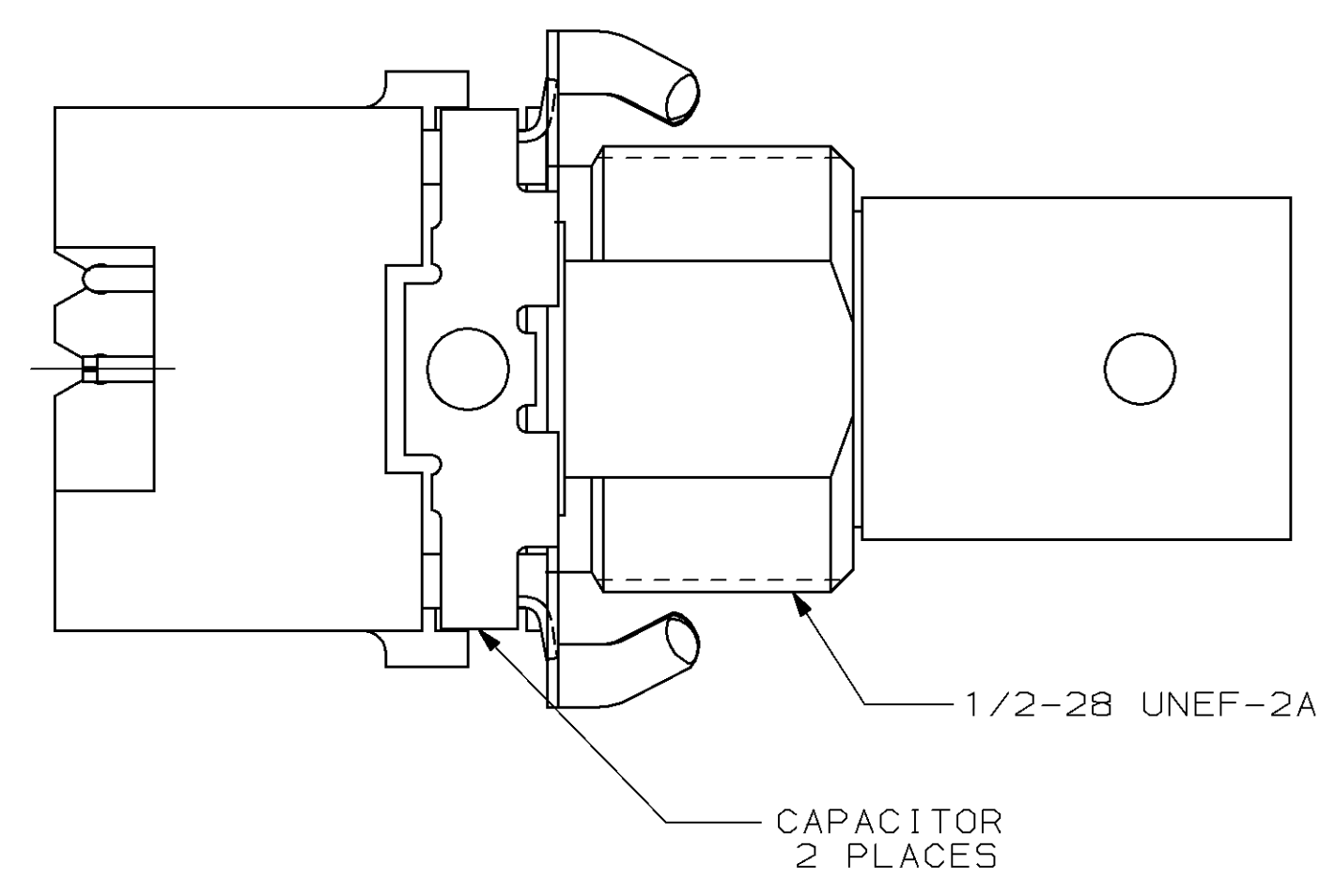


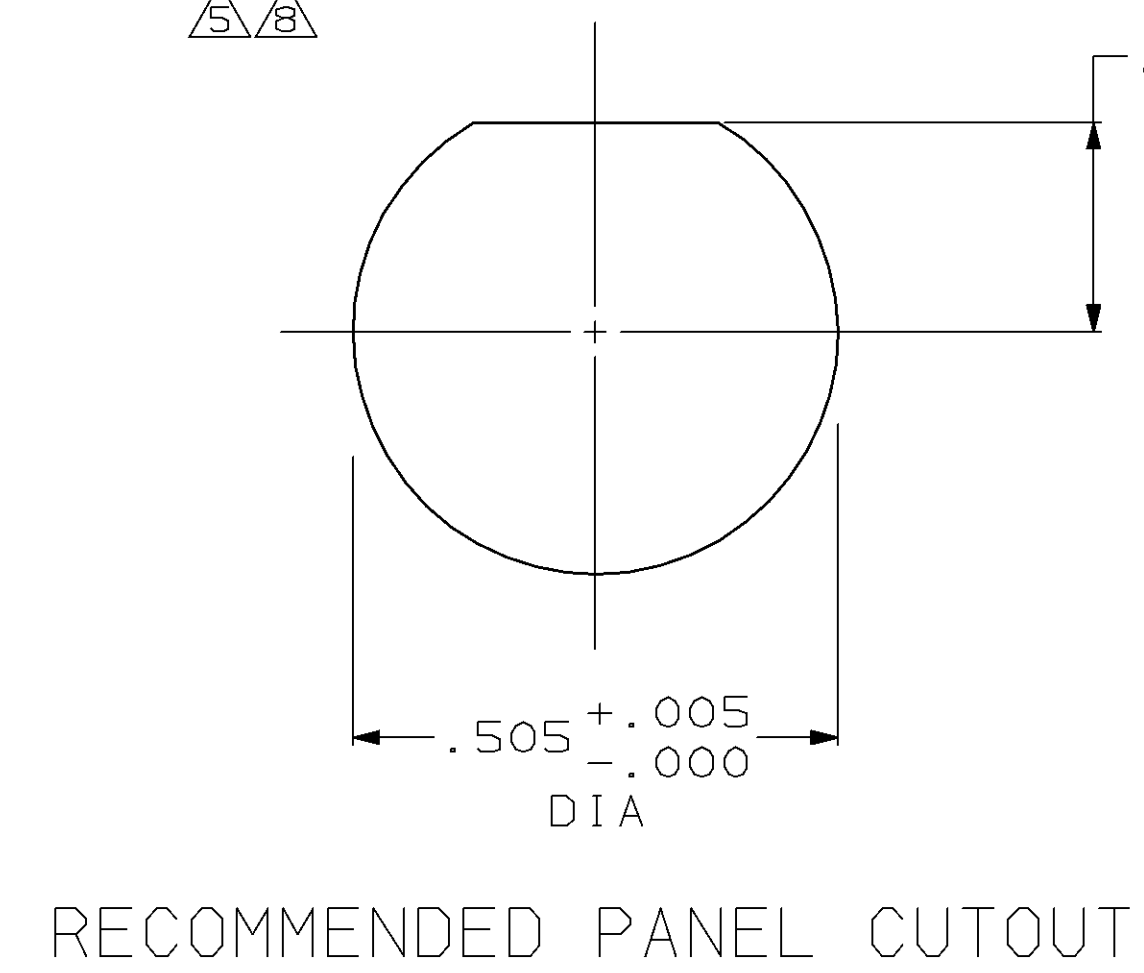
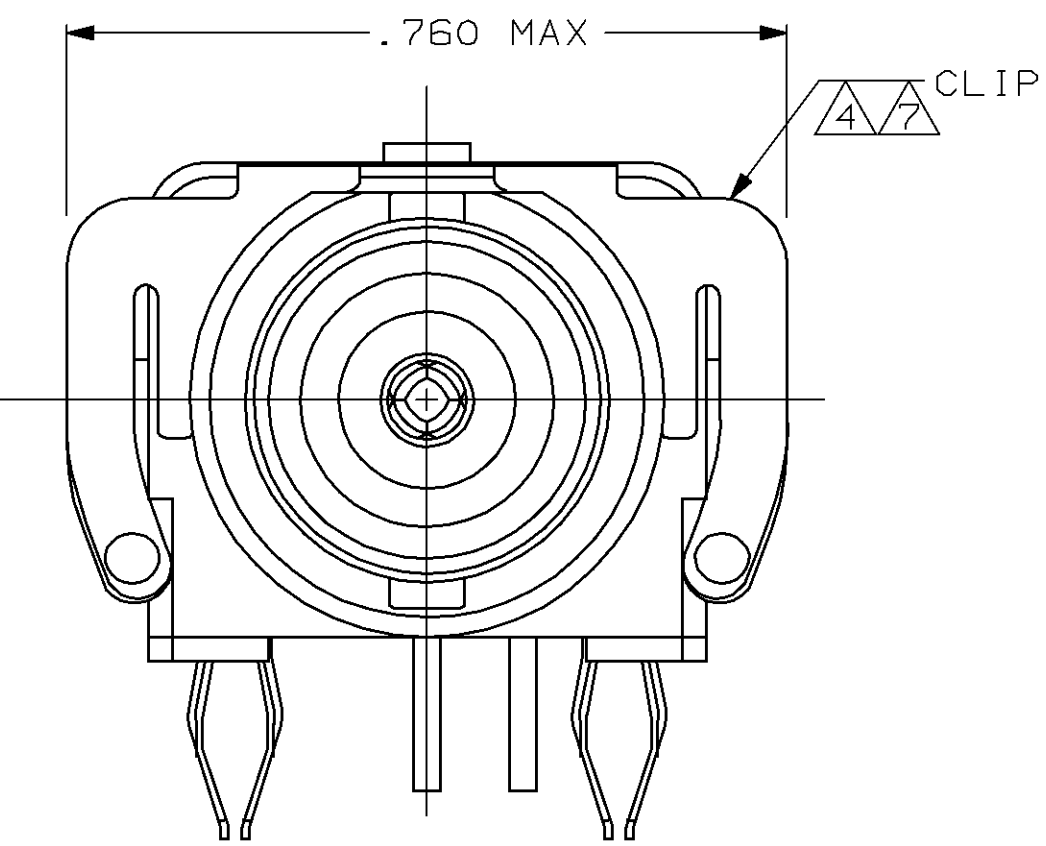
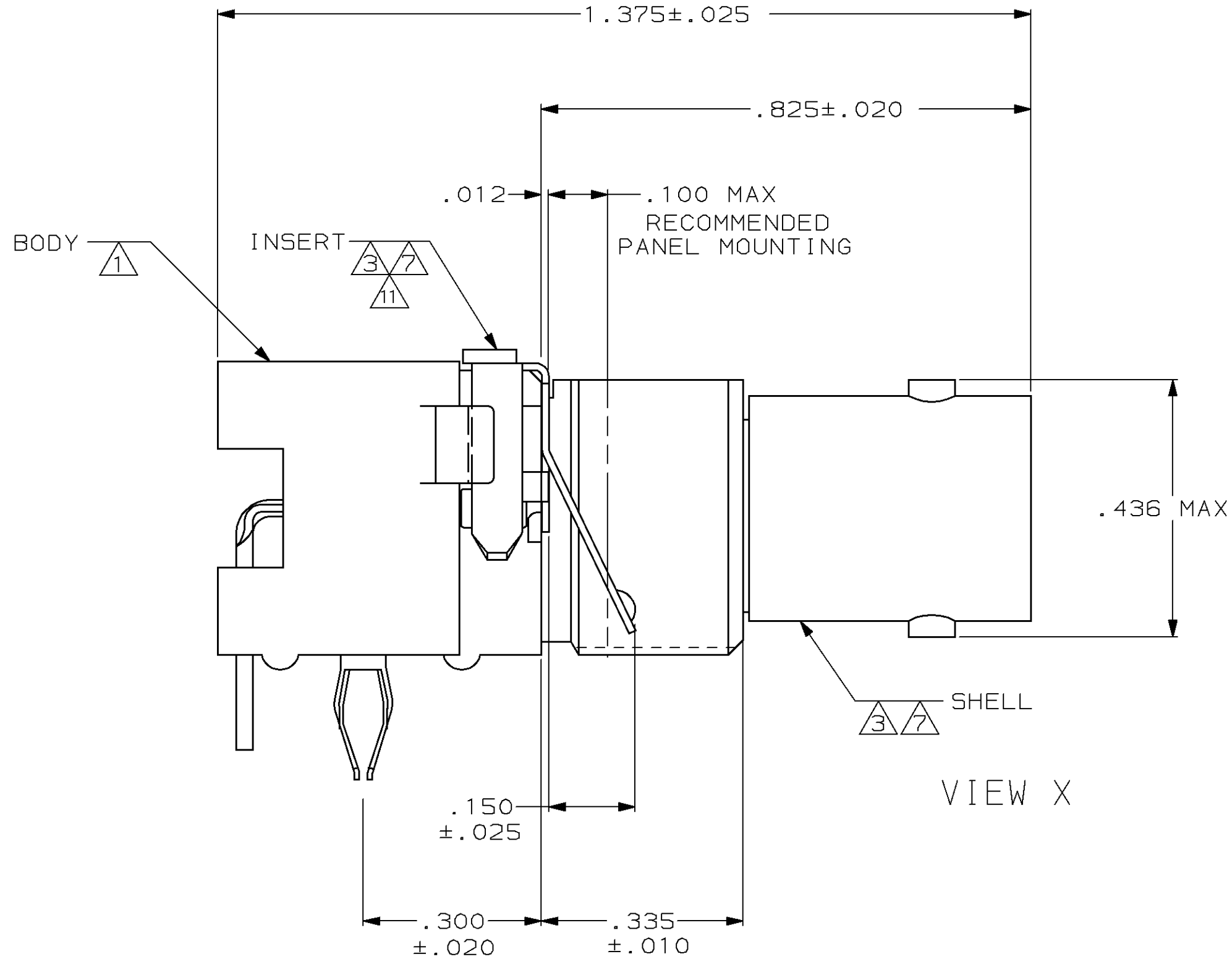
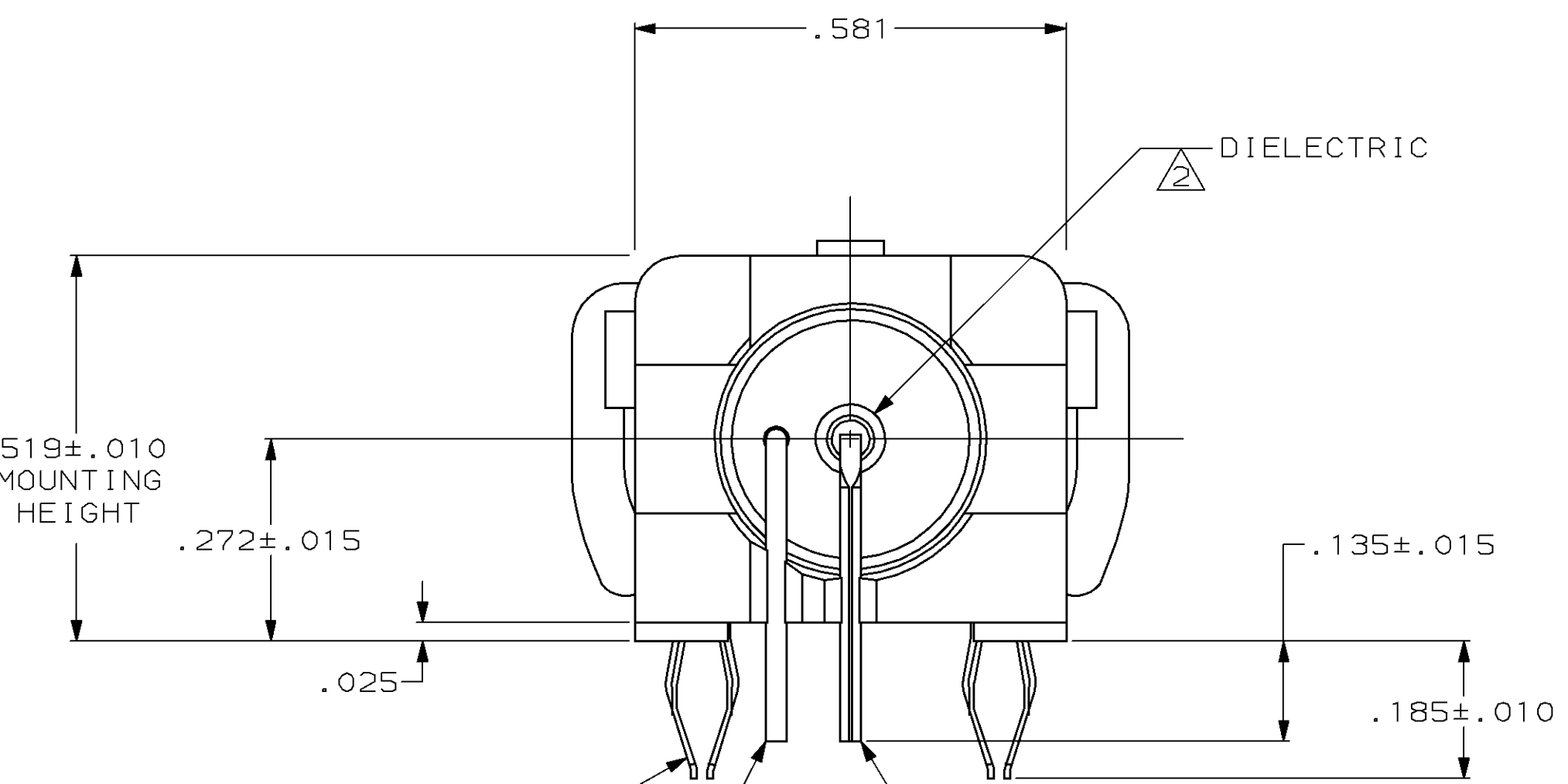
LOC		DIST		P		F		ZONE		LTR		REVISIONS			
DESCRIPTION	DATE	APPD													
AJ	16											B	REV PER 0630-0534-98	06JAN99	MO



P.C.B. CONFIGURATION
 SCALE=10:1



- 1 POLYESTER, PBT, BLACK, PER MIL-M-24519.
- 2 POLYMETHYLPENTENE GENERAL PURPOSE.
- 3 ZINC PER QQ-Z-363.
- 4 PHOSPHOR BRONZE PER QQ-B-750.
- 5 BRASS PER QQ-B-626.
- 6 BRASS PER ASTM-B-453.
- 7 NICKEL PL PER QQ-N-290.
- 8 TIN-LEAD PL PER MIL-P-81728.
- 9 TIN-LEAD PL PER ASTM-B-545.
- 10 SELECTIVELY GOLD PLATED ON INTERFACE AREA PER MIL-G-45204, .000030 THK, TIN-LEAD PLATED ON SOLDER TAIL PER MIL-P-81728, ALL OVER NICKEL PL PER QQ-N-290.
- 11 ESD DEVICE, VOLTAGE BREAKDOWN <3.5KVDC.



9400 pF & 1500 VDC	415010-1
CAPACITANCE & VOLTAGE	PART NUMBER

DO NOT SCALE PRINT. UNLESS SPECIFIED DIMENSIONS IN INCHES TOLERANCES ON:		DR 2-8-95 J. LIPPERT		PART NO	
2 PLC DEC ± -		CHK 2-8-95 M. TOMCHAK		NAME	
3 PLC DEC ± .008		APPD 2-8-95 M. TOMCHAK		JACK, DECOUPLER, RIGHT ANGLE, LOW PROFILE, ESD PROTECTED, BNC	
ANGLES ± -		APPD 2-8-95 J. LIPPERT		PRODUCT SPEC	
MATERIAL		PRODUCT SPEC		108-1269	
FINISH		APPLICATION SPEC		SIZE	
THRU		-		D 00779	
WEIGHT		-		CAGE CODE	
-		-		00779	
-		-		DRAWING NO	
-		-		415010	
-		-		SCALE	
-		-		5:1	
-		-		SHEET	
-		-		1 OF 1	