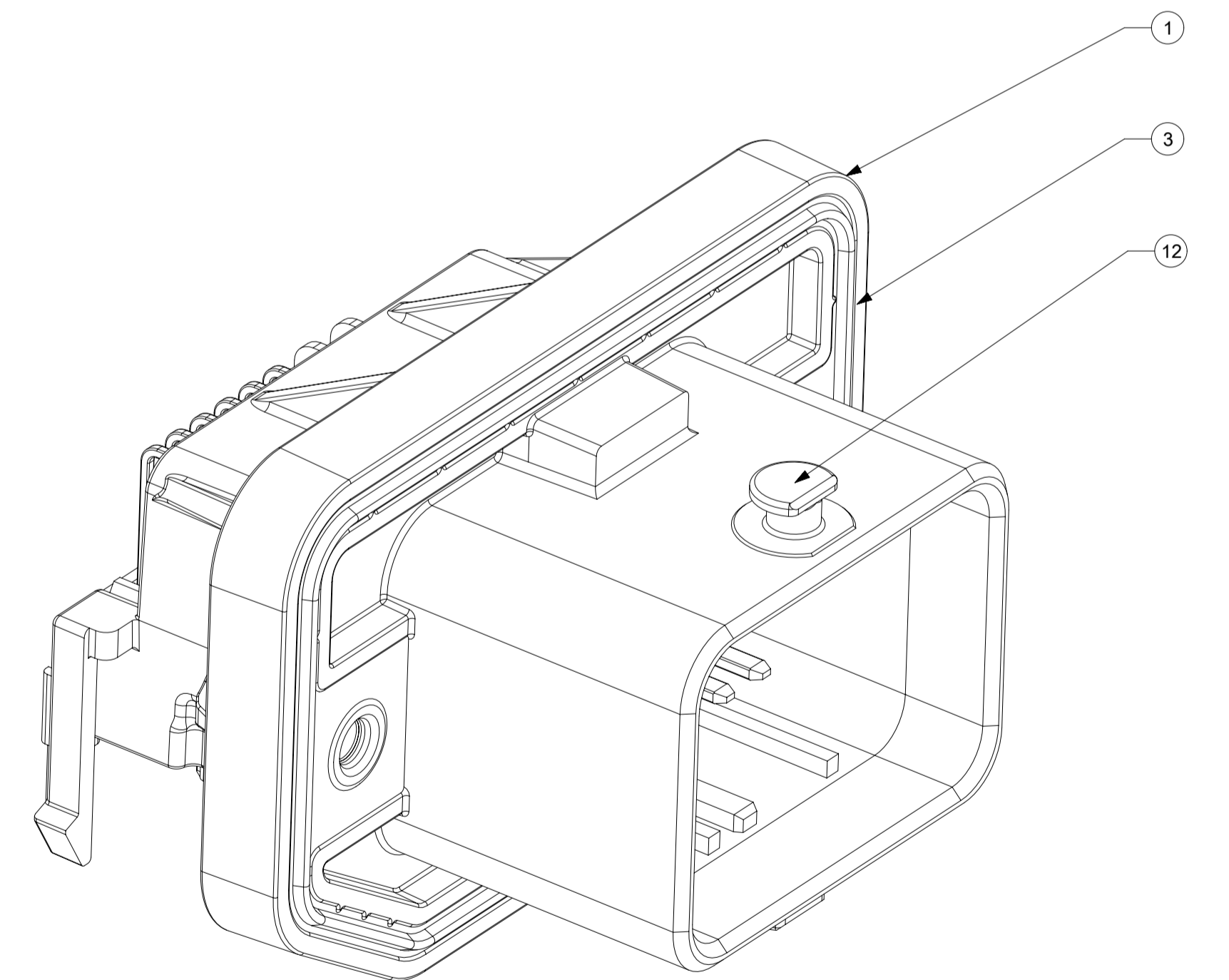
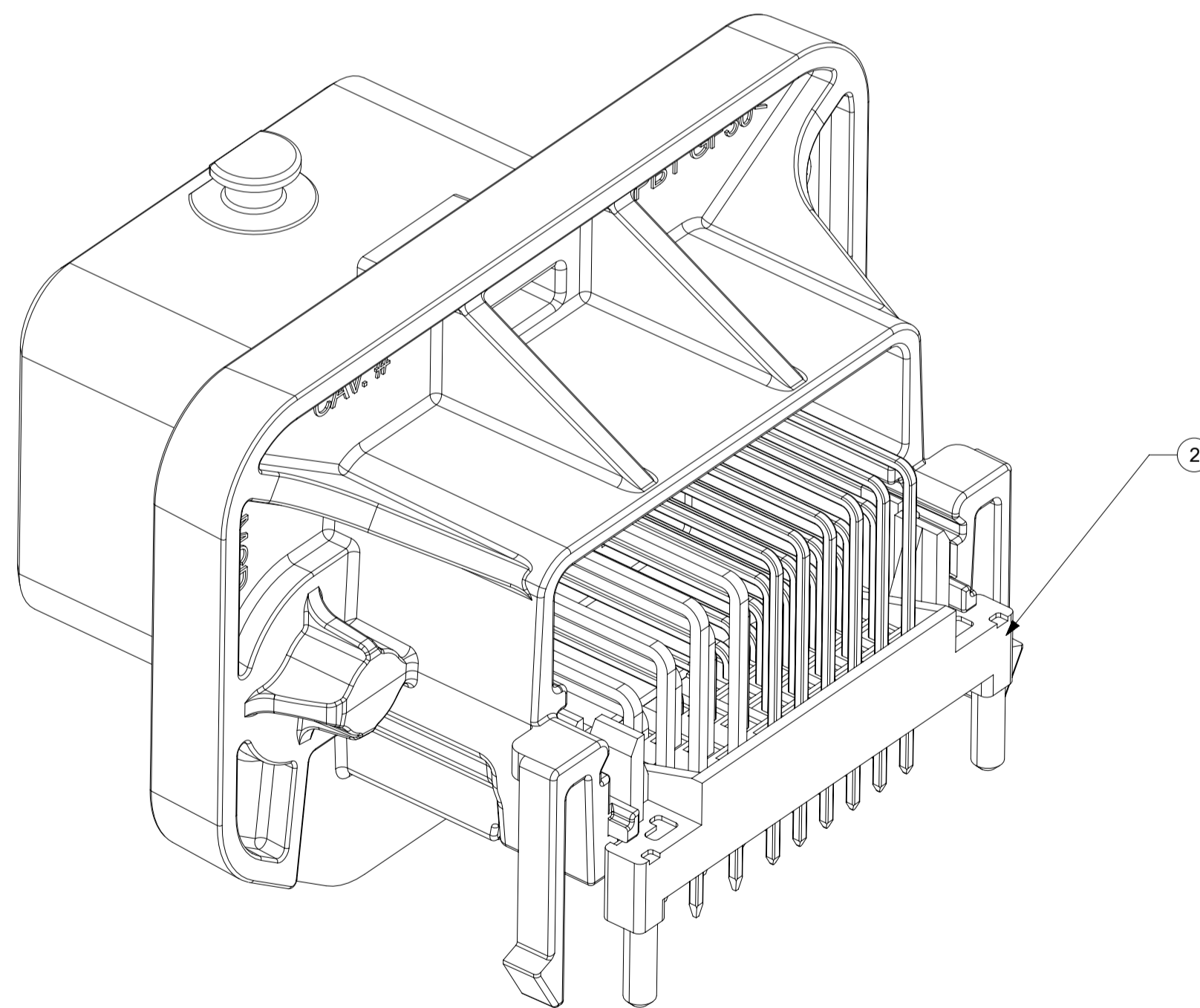
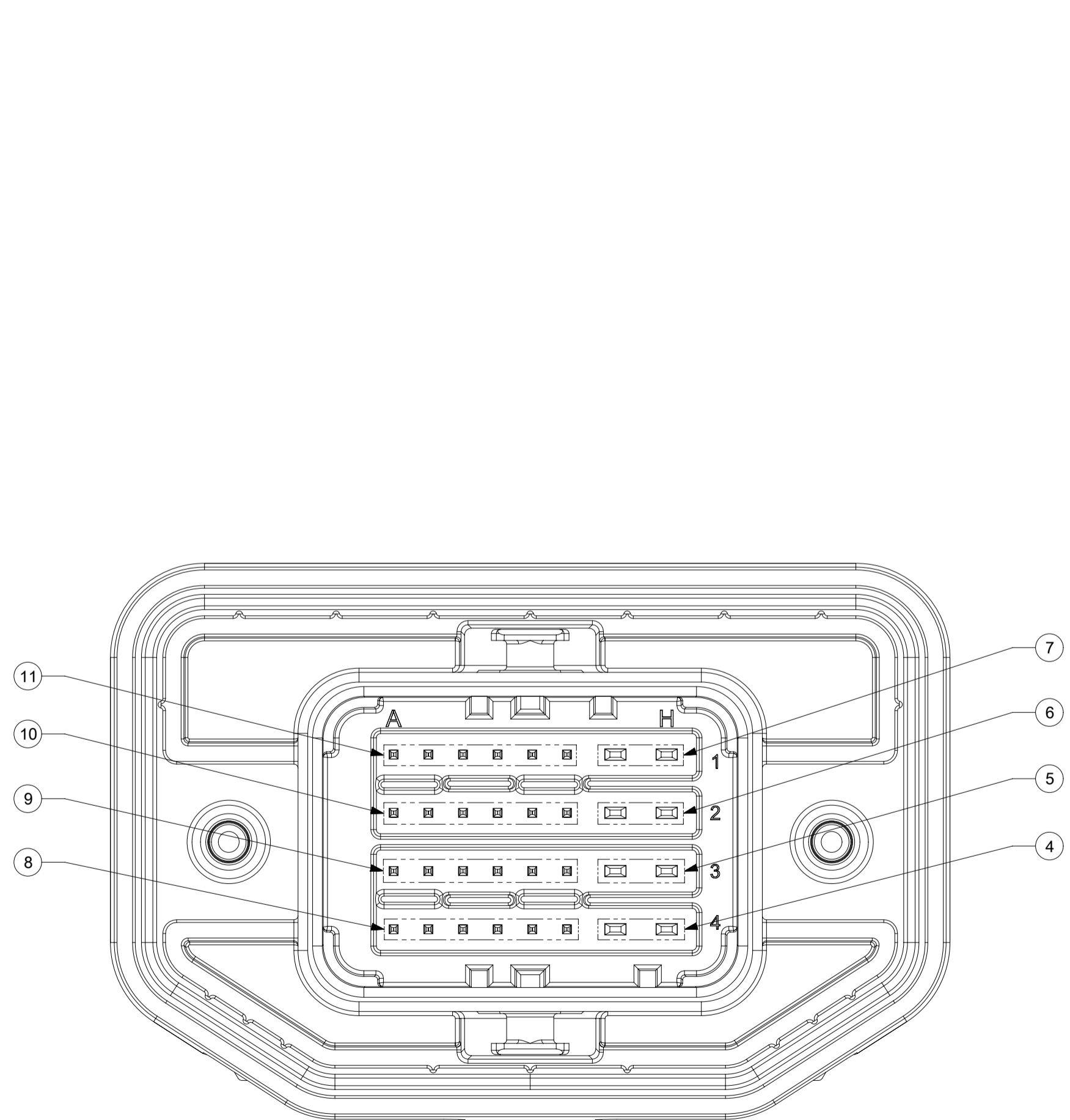


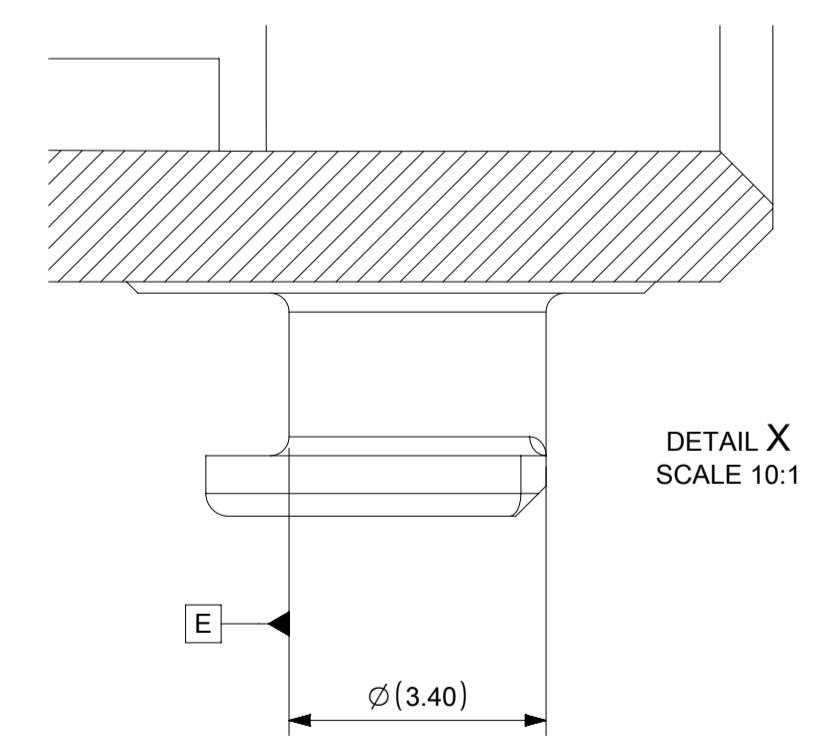
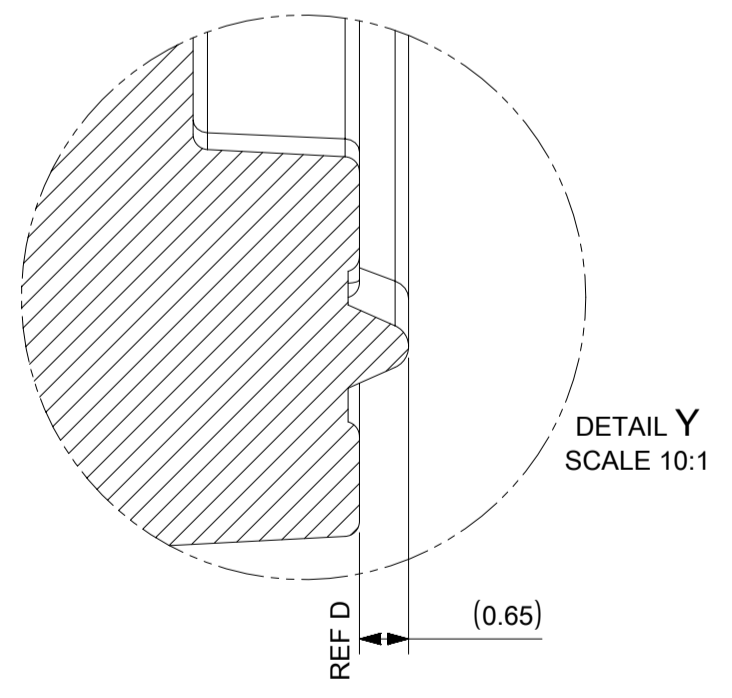
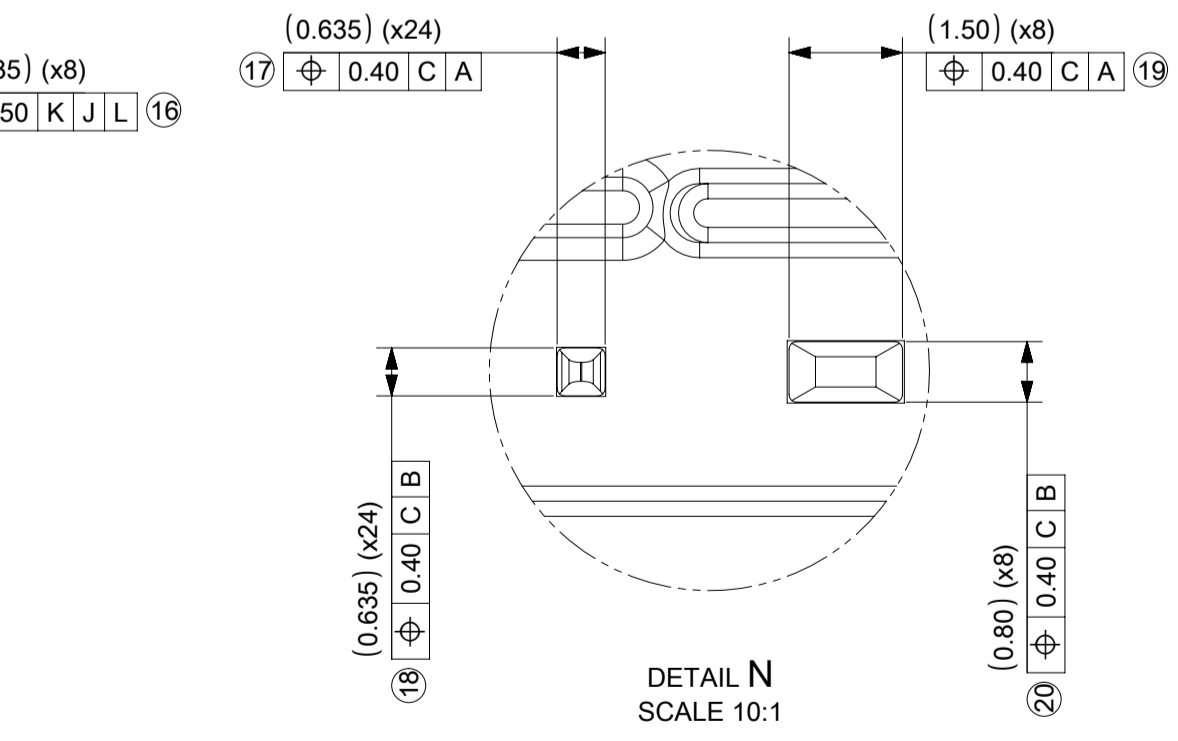
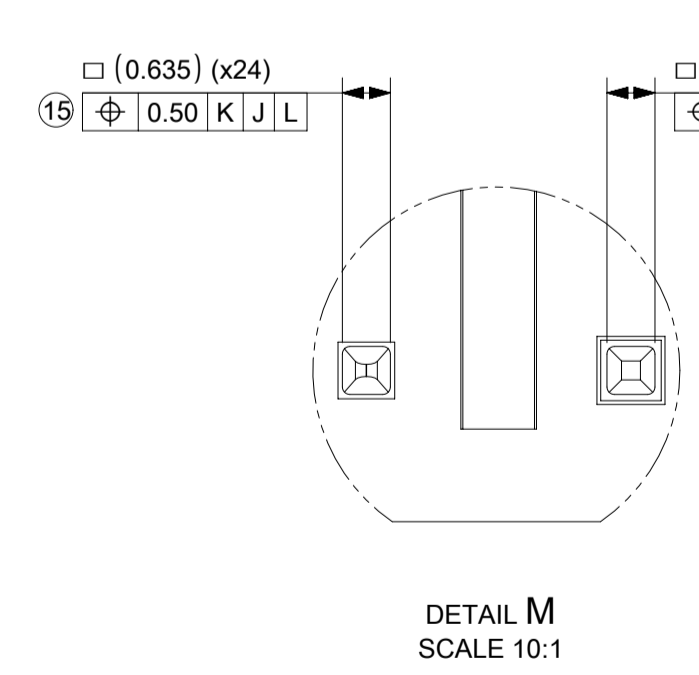
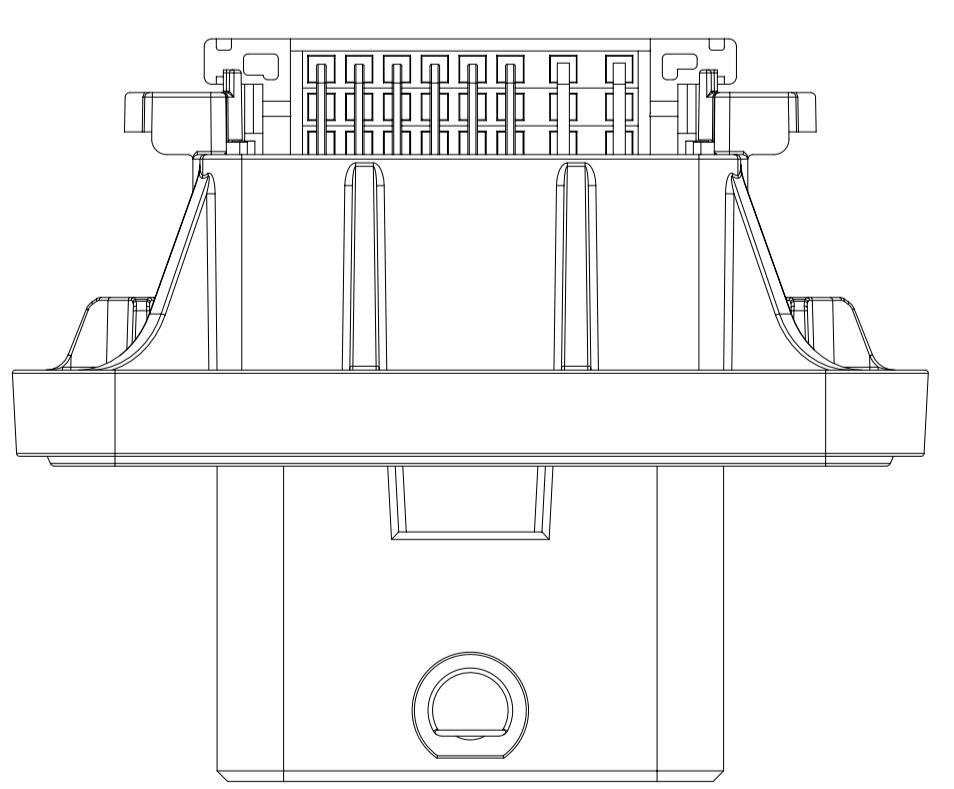
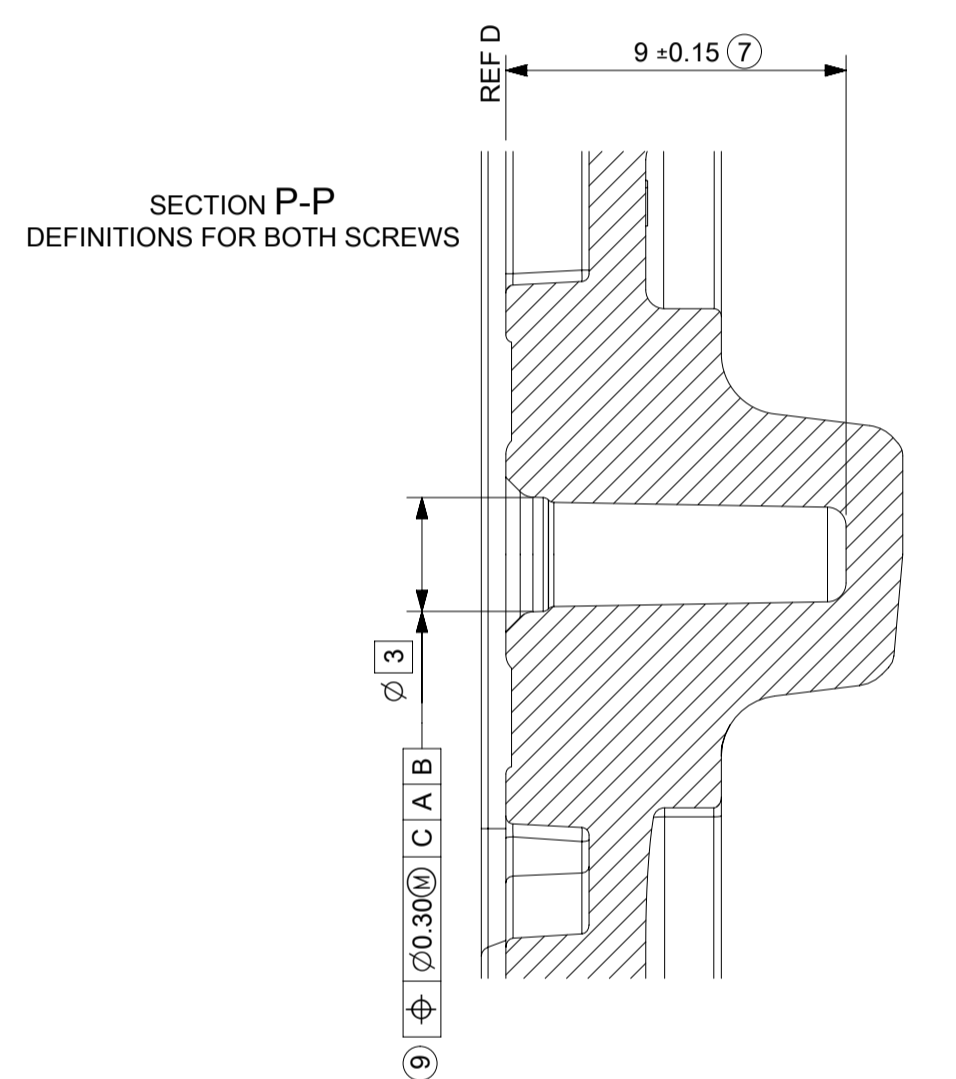
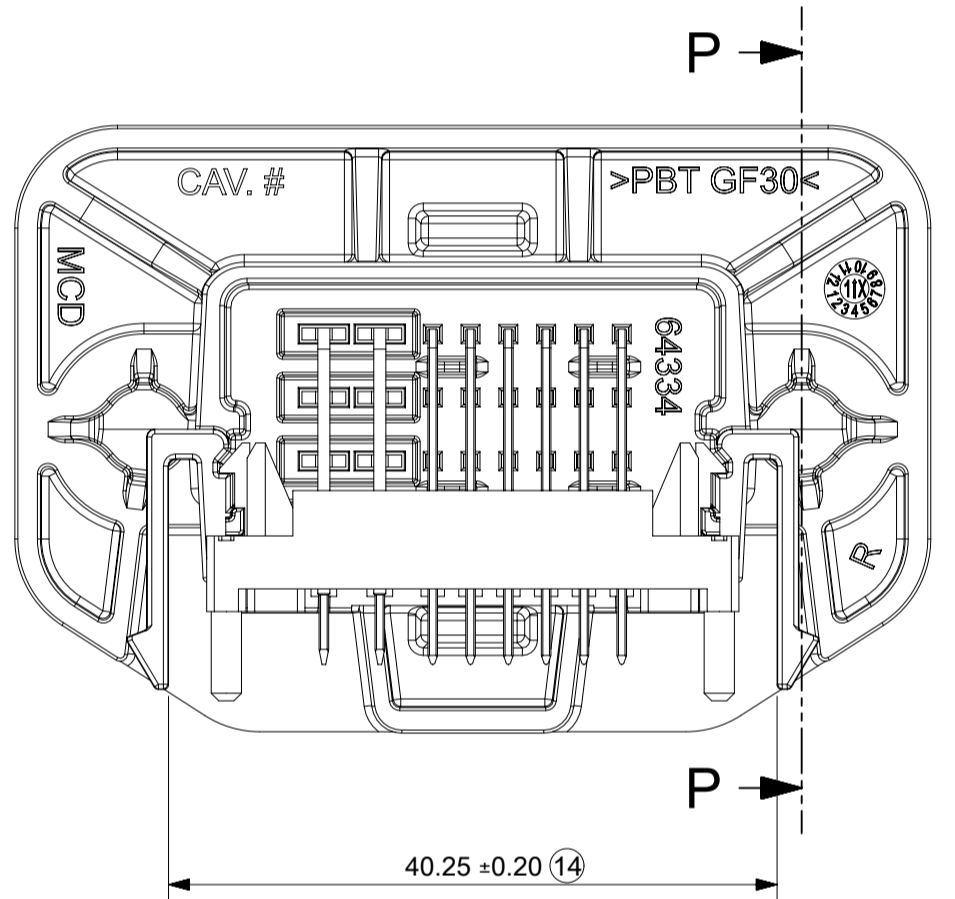
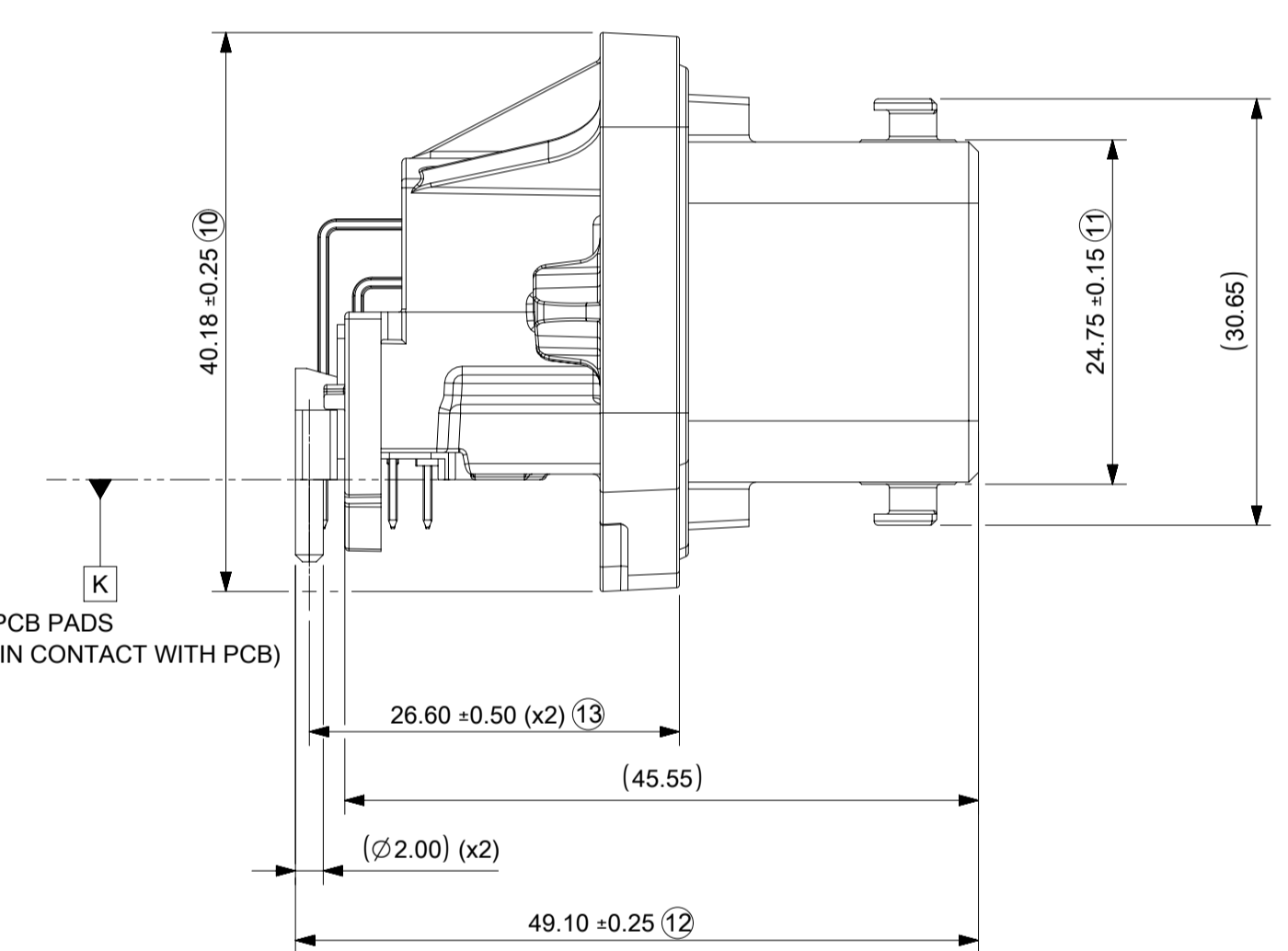
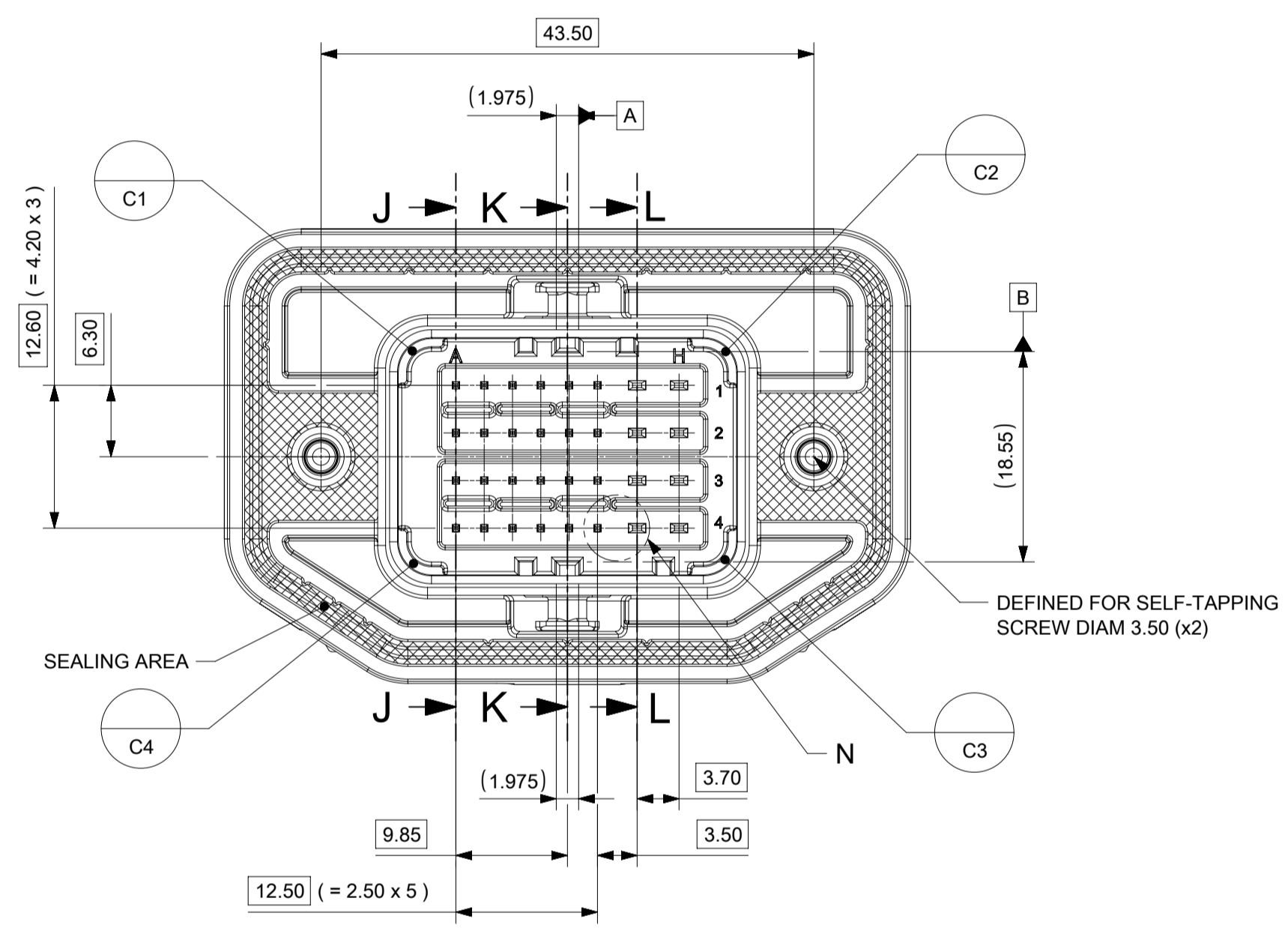
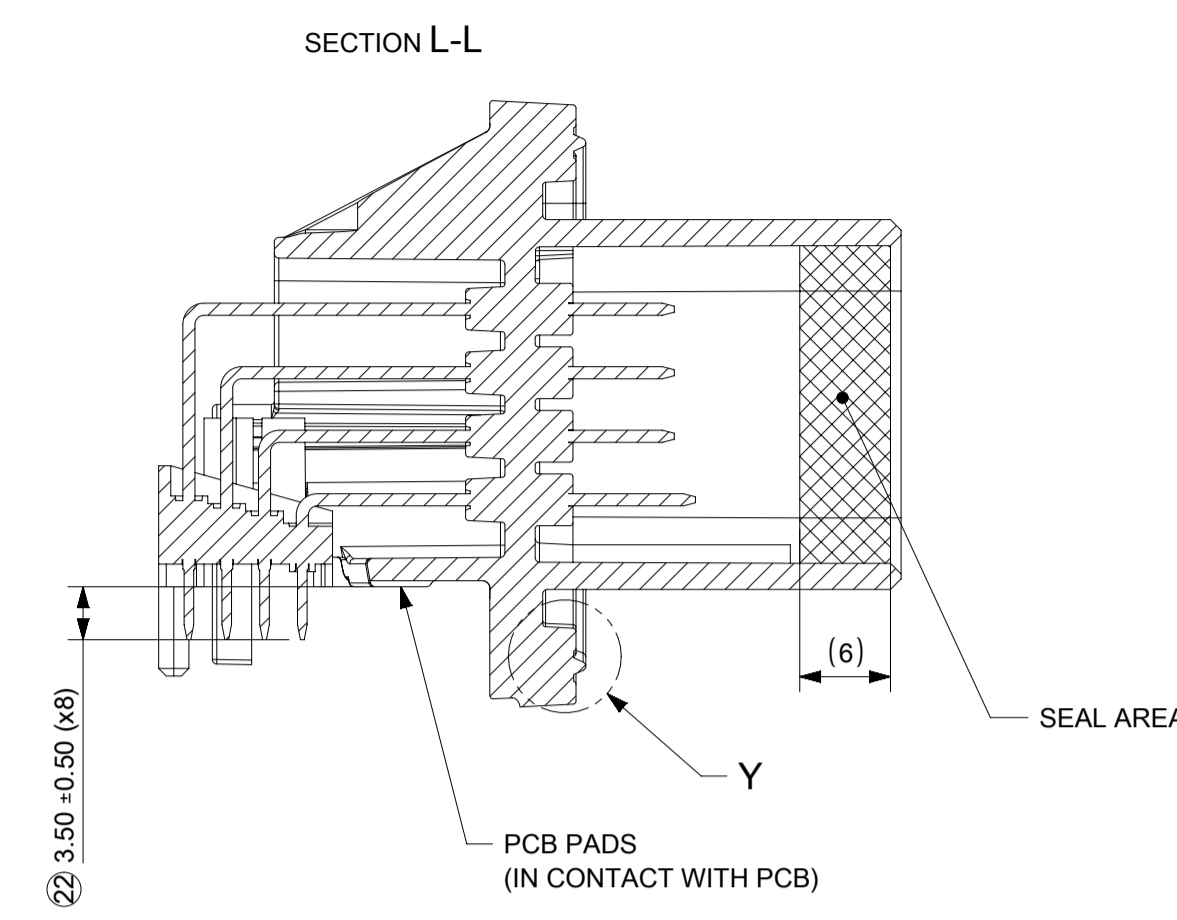
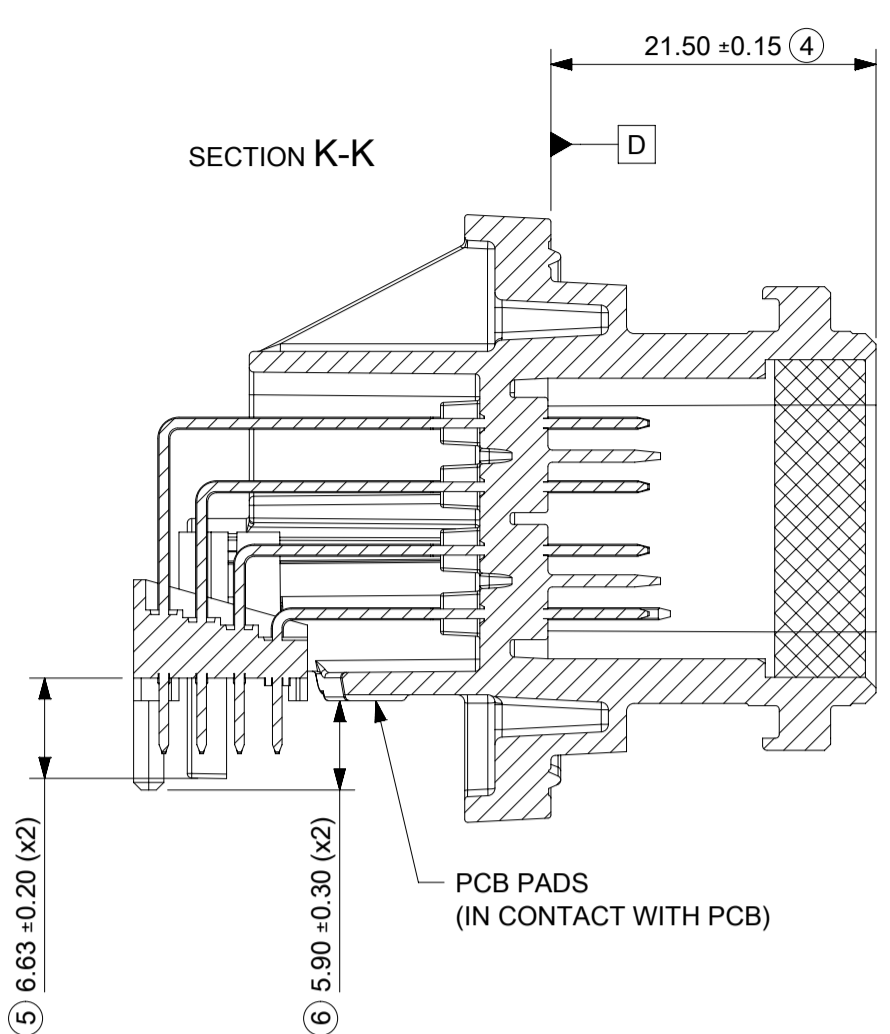
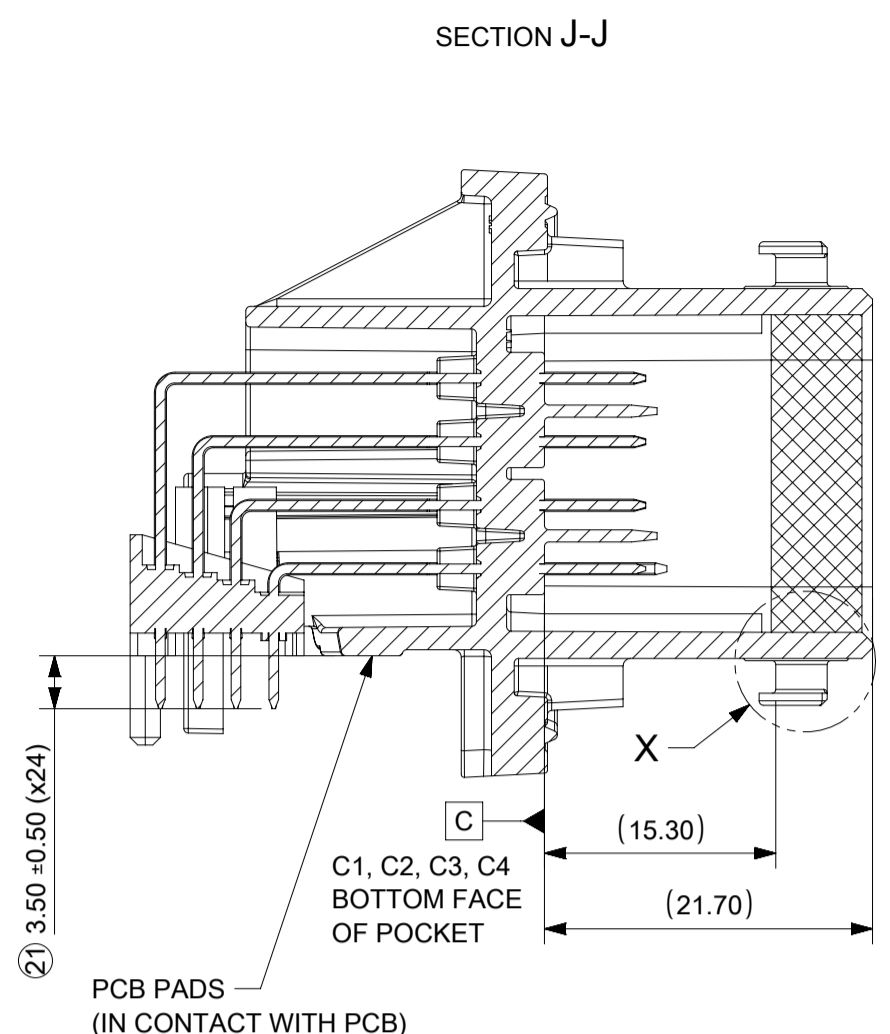
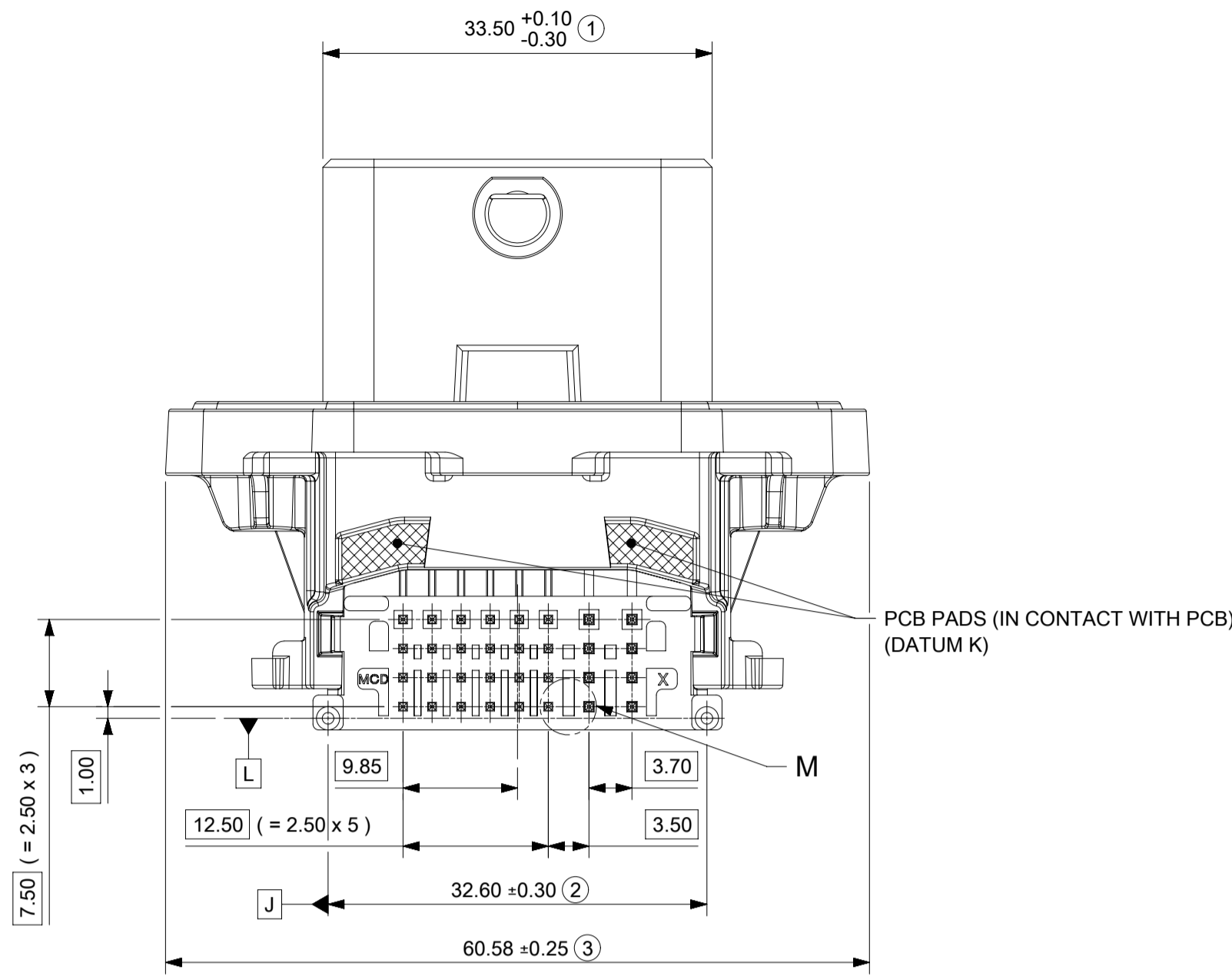
BILL OF MATERIAL					
ITEM	PART DESCRIPTION	MATERIAL	COLOR		
1	32CKT RA S CMC HOUSING BLK	PBT GF 30	BLACK	1	- -
1	32CKT RA S CMC HOUSING GRY	PBT GF 30	GREY	-	1 -
1	32CKT RA S CMC HOUSING BRN	PBT GF 30	BROWN	-	- 1
2	CMC STRAIGHT GUIDING PLATE 32CKT	PBT GF 30-V0	BLACK	1	1 1
3	32CKT RA S CMC GASKET	SILICONE	RED	1	1 1
4	CMC HEADER PIN 1.5 W/PLT ROW 4	C26000 3/4H	N/A	2	2 2
5	CMC HEADER PIN 1.5 W/PLT ROW 3	C26000 3/4H	N/A	2	2 2
6	CMC HEADER PIN 1.5 W/PLT ROW 2	C26000 3/4H	N/A	2	2 2
7	CMC HEADER PIN 1.5 W/PLT ROW 1	C26000 3/4H	N/A	2	2 2
8	CMC HEADER PIN 0.64 W/BANDOLIER ROW 4	C26000 3/4H	N/A	6	6 6
9	CMC HEADER PIN 0.64 W/BANDOLIER ROW 3	C26000 3/4H	N/A	6	6 6
10	CMC HEADER PIN 0.64 W/BANDOLIER ROW 2	C26000 3/4H	N/A	6	6 6
11	CMC HEADER PIN 0.64 W/BANDOLIER ROW 1	C26000 3/4H	N/A	6	6 6
12	GREY DOT PAINT		N/A	-	1 -
12	BROWN DOT PAINT		N/A	-	- 1
	BANDOLIER		N/A		

MOLEX ASSEMBLY PART NO	PART DESCRIPTION	32 WAY POCKET	32 WAY POCKET	32 WAY POCKET
643341001	32CKT_RA_S_CMC_HEADER_ASSY BLK	BLACK KEY		
643341002 (NOT TOOLED)	32CKT_RA_S_CMC_HEADER_ASSY GRY		GREY KEY	
643341003 (NOT TOOLED)	32CKT_RA_S_CMC_HEADER_ASSY BRN			BROWN KEY

- NOTES: VALID UNLESS OTHERWISE SPECIFIED
- GENERAL:
 - APPLICATION SPECIFICATION SEE: 643340000-AS PS 000
 - PRODUCT SPECIFICATION SEE: 643340000-PS PS 000
 - PACKAGING SPECIFICATION PER MOLEX DRAWING: 643341000-PK PDD 000
 - PARTS MUST BE IN COMPLIANCE TO MOLEX CHEMICAL SUBSTANCES FOR PRODUCTS AND PACKAGING SPECIFICATION: 201404-0015 (INTERNAL)
 - DATA MUST BE SUBMITTED UNDER THE MOLEX PART NUMBER TO IMDS (COMPANY ID#13255)
 - DESIGN - MATERIALS:
 - SEE BOM TABLE
 - DESIGN - GEOMETRY:
 - THE 3-D CAD DATA IS BASIC (WITHOUT TOLERANCE) AND MUST BE TAKEN FROM THE DATA FILE AT ITS LATEST REVISION.
 - THE 3-D CAD DATA IS MASTER FOR THIS PART AND IS TO BE USED TO ESTABLISH DIMENSIONAL INFORMATION NOT SHOWN ON THIS DRAWING. ANY DIMENSIONS UNDERLINED INDICATE A CONFLICT WITH THE MODEL.
 - PRODUCT DESIGN MODEL NUMBER(S): SEE BOM TABLE
 - GEOMETRIC DIMENSIONS AND TOLERANCES PER ASME Y14.5-2009
 - EDGES OF UNDEFINED SHAPE PER ISO 13715
 - DIMENSIONS AND TOLERANCES APPLY BEFORE AND AFTER PLATING
 - DESIGN - MANUFACTURING:
 - ANY PROCESS LUBRICANT REMAINING ON THE TERMINAL MUST NOT VARNISH OR DEGRADE ITS ELECTRICAL PERFORMANCE AS DEFINED IN THE PRODUCT SPEC. PROCESS LUBRICANTS SHALL BE APPROVED BY THE RESPONSIBLE ENGINEER.
 - ALLOWABLE BURR ON TERMINALS: 0.05 MAX. NO BURRS ALLOWED AT MATING AREA AS AT PCB SOLDERING AREA.
 - ALLOWED CAMBER: 6.35mm PER 457mm
 - ALLOWED TWIST: 45° PER 1 METER
 - MAXIMUM 3 SPLICES PER REEL
 - PART TO BE FREE OF TOOL MARKS AS NOTED
 - VISUAL DEFECTS SHALL MEET COSMETIC STANDARD PS-45499-002 (Class B)
 - INTERFACE DEFINITION:
 - REFER TO DRAWING SD-98644-006



THIS DRAWING CONTAINS INFORMATION THAT IS PROPRIETARY TO MOLEX ELECTRONIC TECHNOLOGIES, LLC AND SHOULD NOT BE USED WITHOUT WRITTEN PERMISSION									
DIMENSION UNITS		SCALE		CURRENT REV DESC:					
MM		3:1							
GENERAL TOLERANCES (UNLESS SPECIFIED)				EC NO: 674884				32CKT RA S CMC HEADER	
ANGULAR TOL ± °				DRWN: GDONFACK 2021/08/16				PRODUCT CUSTOMER DRAWING	
4 PLACES ± 0.01				CHK'D: OVERCHERE 2021/08/16				DOCUMENT NUMBER	
3 PLACES ± 0.03				APPR: OPLESSIS 2021/08/23				DOC TYPE DOC PART REVISION	
2 PLACES ± 0.05				INITIAL REVISION:				643341000	
1 PLACE ± 0.1				DRWN: NLI106 2017/12/18				PSD 001 A6	
0 PLACES ± 0.15				APPR: SLAFAURE 2018/07/04				SHEET NUMBER	
DRAFT WHERE APPLICABLE MUST REMAIN WITHIN DIMENSIONS		FIRST ANGLE PROJECTION		DRAWING		SERIES		MATERIAL NUMBER	
				A1-SIZE		64334		SEE TABLE	
						CUSTOMER		GENERAL MARKET	
								1 OF 3	

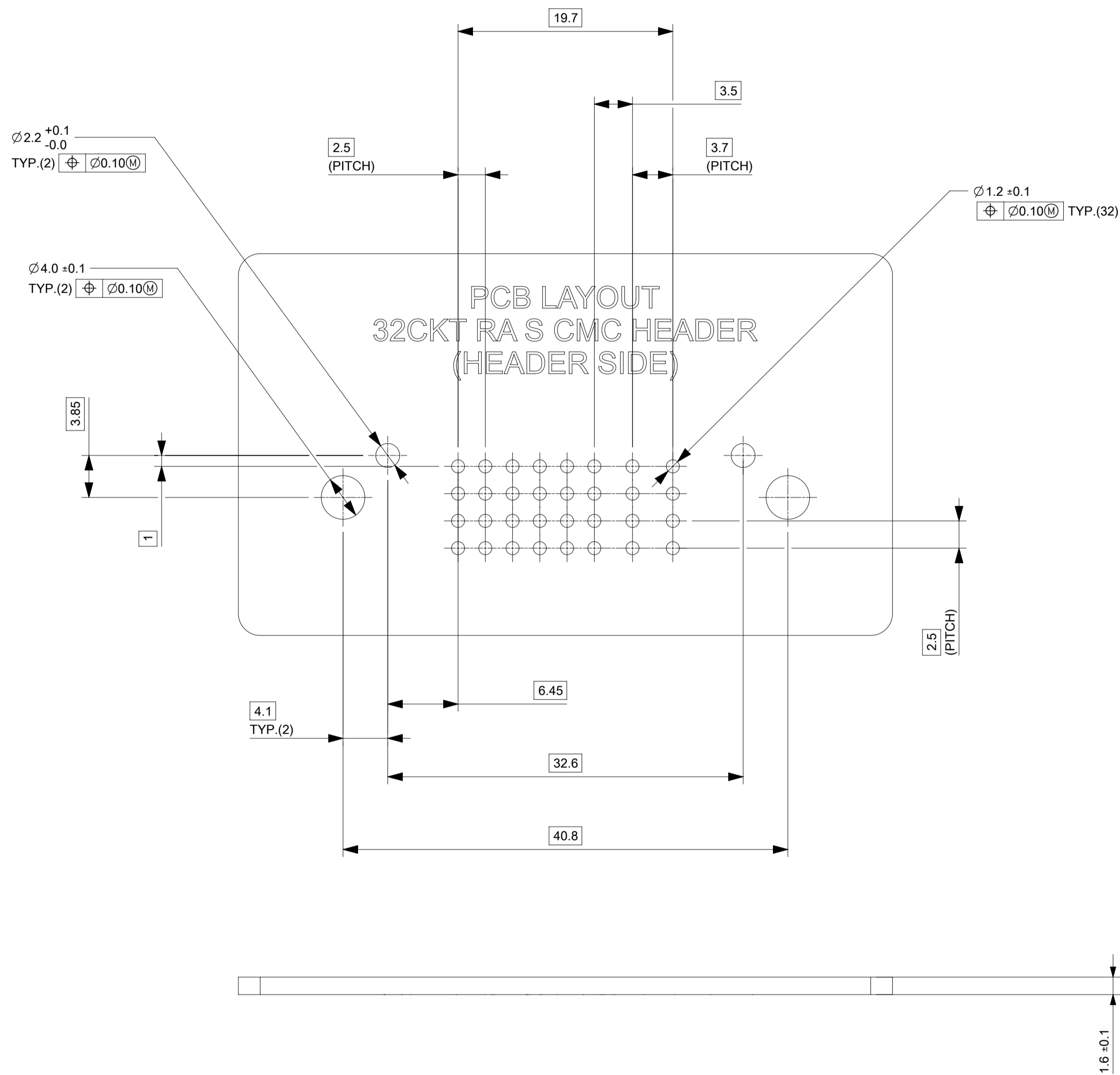


SPECIAL CHARACTERISTICS RELATED TO THE RECEPTACLE INTERFACE			
RECEPTACLE INTERFACE DRAWING	BALLOON	DIMENSION	FUNCTION
32CKT SD-98644-006	11	21 +/-0.1	SEALING
	30	30 +/-0.1	
	35	4x R3 +/-0.1	
	57	6.7 +/-0.2	PIN HEIGHT
	72	6.7 +/-0.2	
	86	8.1 +/-0.2	

THIS DRAWING CONTAINS INFORMATION THAT IS PROPRIETARY TO MOLEX ELECTRONIC TECHNOLOGIES, LLC AND SHOULD NOT BE USED WITHOUT WRITTEN PERMISSION

DIMENSION UNITS MM	SCALE 2:1	CURRENT REV DESC:				
GENERAL TOLERANCES (UNLESS SPECIFIED)		EC NO: 674884				
ANGULAR TOL	± °	4 PLACES	± 0.01	DRWN: GDONFACK	2021/08/16	PRODUCT CUSTOMER DRAWING
4 PLACES	± 0.01	3 PLACES	± 0.03	CHK'D: OVERCHERE	2021/08/16	
3 PLACES	± 0.03	2 PLACES	± 0.05	APPR: OPLESSIS	2021/08/23	DOCUMENT NUMBER
2 PLACES	± 0.05	INITIAL REVISION:		DRWN: NLI106	2017/12/18	643341000
1 PLACE	± 0.1	APPR: SLAFAURE	2018/07/04	SERIES	64334	DOC TYPE DOC PART REVISION
0 PLACES	± 0.15	DRAFT WHERE APPLICABLE MUST REMAIN WITHIN DIMENSIONS		MATERIAL NUMBER	CUSTOMER	PSD 001 A6
FIRST ANGLE PROJECTION		DRAWING	A1-SIZE	SEE TABLE	GENERAL MARKET	SHEET NUMBER
2 OF 3						

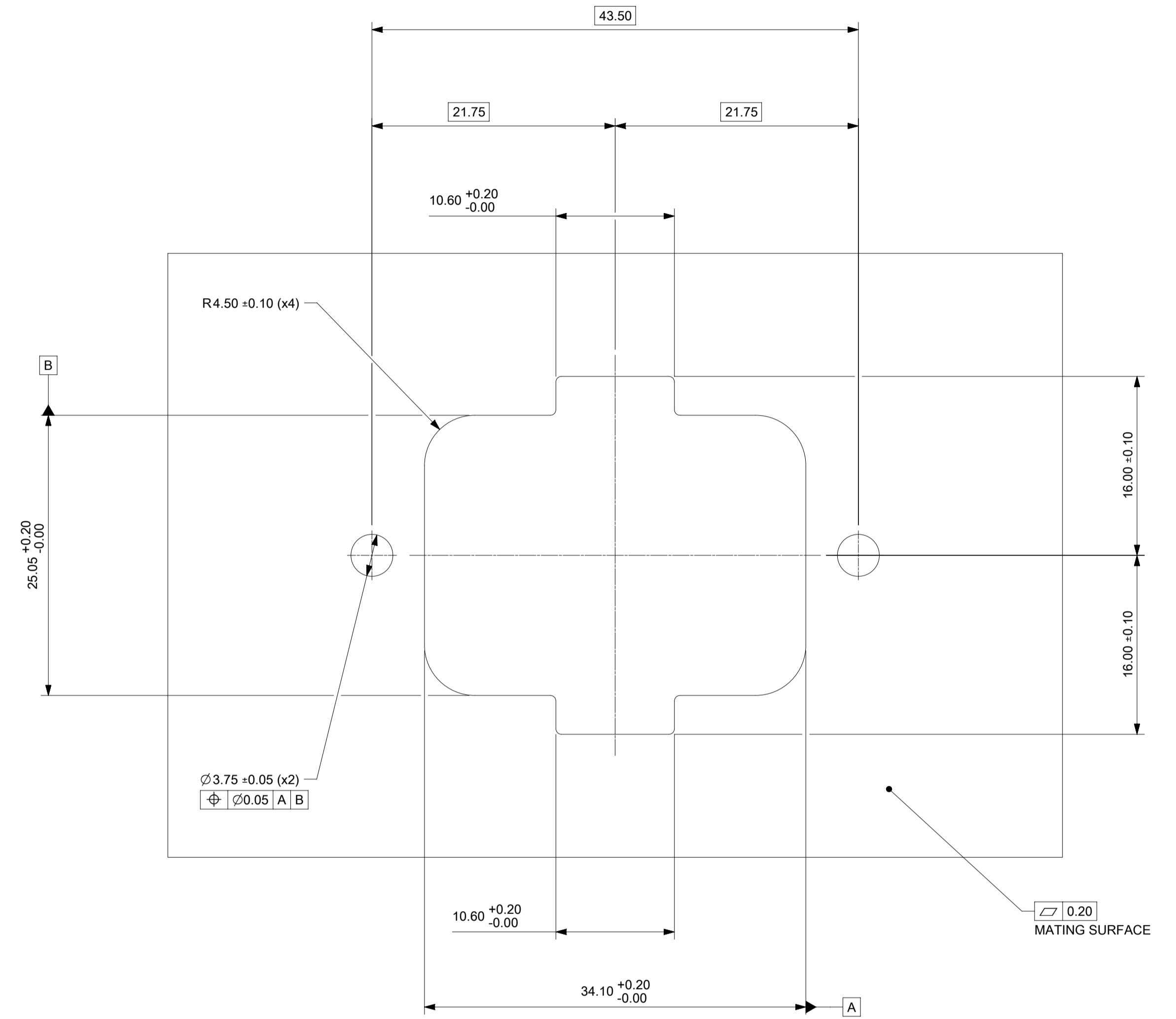
RECOMMENDED PCB PAYOUT (COMPONENT SIDE)
THICKNESS: 1.6±0.1



NOTES:

1. THE VIEW 'RECOMMENDED PCB LAYOUT' SHOW STHESECTION OF THE HOLE POSITION CONCERNING THE HEADER-PIN, GUIDING AND LOCKING LAYOUT.
2. THIS VIEW OF THE HOLE PATTERN DOESNT POINT TO THE ABSOLUTE POSITION ON THE PCB.
3. THE HOLE PATERN IS THE COPY OF THE HEADER LAYOUT.
4. PLEASE COMBINE THE TWO ELEMENTS (HEADER AND VIEW OF THE HOLE PATTERN) TO CREATE PCB LAYOUT

RECOMMENDED PANEL PAYOUT



NOTES:

1. REQUIRED MATING SURFACE FINISH: Ra 3.0µm MAX OR POLISHED.
2. RECOMMENDED SCREW SIZE: SELF-TAPPING SCREW DIAM 3.5 WITH ENGAGEMENT LENGTH 6MM MINI.
3. RECOMMENDED PANEL THICKNESS: 2MM TO 4MM.
4. RECOMMENDED PANEL MATERIAL: METAL.

THIS DRAWING CONTAINS INFORMATION THAT IS PROPRIETARY TO MOLEX ELECTRONIC TECHNOLOGIES, LLC AND SHOULD NOT BE USED WITHOUT WRITTEN PERMISSION									
DIMENSION UNITS MM		SCALE 3:1		CURRENT REV DESC:				molex	
GENERAL TOLERANCES (UNLESS SPECIFIED)				EC NO: 674884					
ANGULAR TOL		± °		DRWN: GDONFACK		2021/08/16		32CKT RA S CMC HEADER	
4 PLACES		± 0.01		CHK'D: OVERCHERE		2021/08/16		PRODUCT CUSTOMER DRAWING	
3 PLACES		± 0.03		APPR: OPLESSIS		2021/08/23		DOCUMENT NUMBER	
2 PLACES		± 0.05		INITIAL REVISION:				643341000	
1 PLACE		± 0.1		DRWN: NLI106		2017/12/18		PSD 001 A6	
0 PLACES		± 0.15		APPR: SLAFAURE		2018/07/04		DOC TYPE DOC PART REVISION	
DRAFT WHERE APPLICABLE MUST REMAIN WITHIN DIMENSIONS				FIRST ANGLE PROJECTION		DRAWING		MATERIAL NUMBER	
				A1-SIZE		64334		CUSTOMER	
						SEE TABLE		GENERAL MARKET	
								SHEET NUMBER	
								3 OF 3	