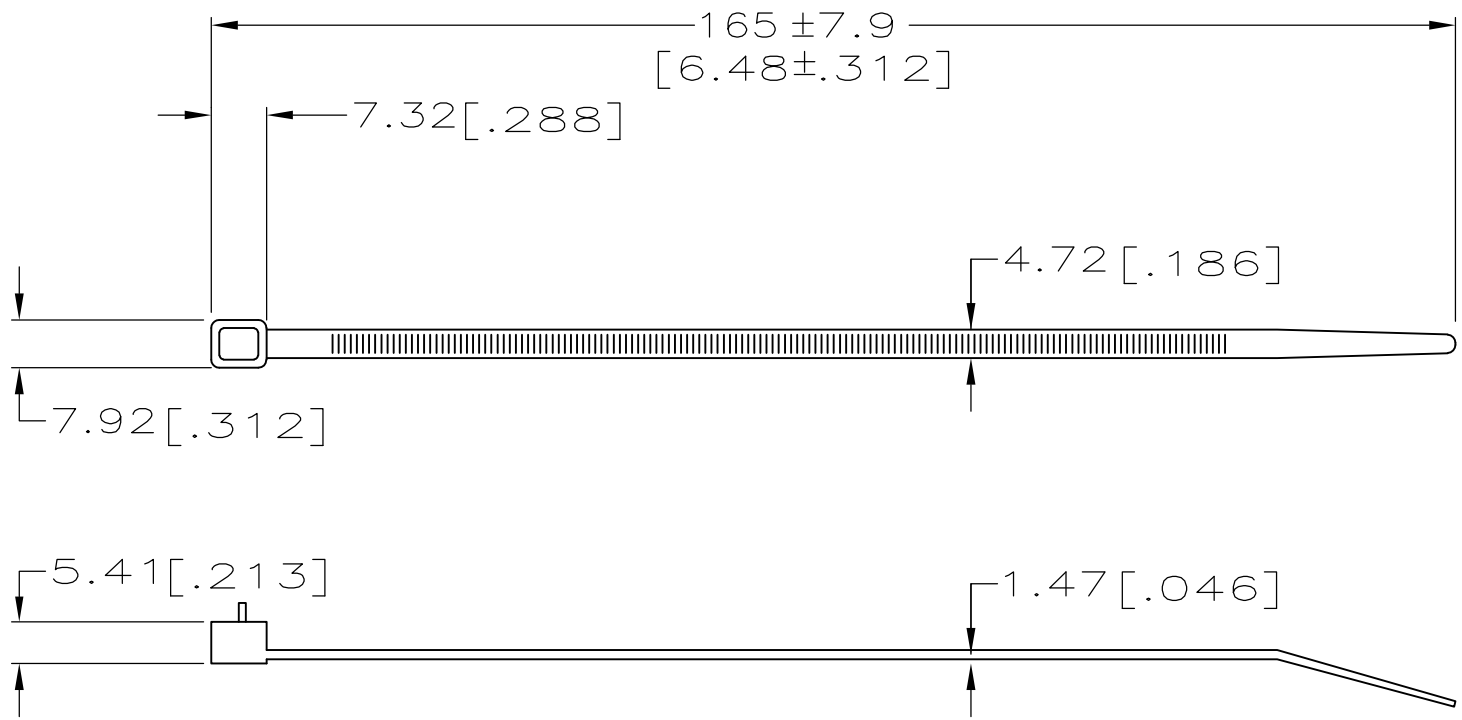


THIS DRAWING IS UNPUBLISHED. RELEASED FOR PUBLICATION
 © COPYRIGHT - By - ALL RIGHTS RESERVED.

LOC	DIST	REVISIONS			
P	LTR	DESCRIPTION	DATE	DWN	APVD
	J3	REVISED PER ECO-12-004153	01MAR12	KH	DR



- 1 PACKAGED IN A HEAT SEALED 3 MIL POLYBAG.
- 2 MAXIMUM BUNDLE DIAMETER: 34.93[1.38].
- 3 MINIMUM TENSILE STRENGTH: 22.68 KG[50 LBS].
- △ 4 OBSOLETE PARTS

OBSOLETE	QUANTITY/BAG	COLOR	PART NUMBER
	1000	PURPLE	4-608692-0
	100	PURPLE	3-608692-0
	1000	BLACK	2-608692-0
△ 4 OBSOLETE	100	NATURAL	2-608692-9
	1000	BLACK	1-608692-0
OBSOLETE	100	NATURAL	1-608692-9

THIS DRAWING IS A CONTROLLED DOCUMENT.		DWN DL DRUMMOND 16 MAR 98	STE TE Connectivity	
DIMENSIONS: mm [INCHES]		CHK DL DRUMMOND 16 MAR 98		
TOLERANCES UNLESS OTHERWISE SPECIFIED:		APVD EJ HRYN 18 MAR 98	NAME CABLE TIE, RELEASABLE, 6-1/2 INCHES	
0 PLC ± -		PRODUCT SPEC	-	
1 PLC ± -		APPLICATION SPEC	-	
2 PLC ± -		WEIGHT	-	
3 PLC ± 0.99[.039]		SIZE	A3	CAGE CODE
4 PLC ± -		DRAWING NO	C-608692	
ANGLES ± -		RESTRICTED TO	-	
MATERIAL NYLON 6/6	FINISH -	CUSTOMER DRAWING	SCALE NONE	SHEET 1 OF 1
		REV J3		