

### PART No MATRIX

Y	0	X	0	0	1	X	X	X	X	X	X	X	X	X
---	---	---	---	---	---	---	---	---	---	---	---	---	---	---

Y0= ULTRA LOCK 2.0 SINGLE ENDED

POLES:  
3 = 3 POLES  
4 = 4 POLES  
5 = 5 POLES

HEADER:  
001= FEMALE RA

CABLE:  
E03 - 3/4/5x0.34 PVC BLACK  
B30 - 3/4/5x0.34 WSOR BLACK  
H09 - 3/4/5x0.34 PUR-LS0H BLACK

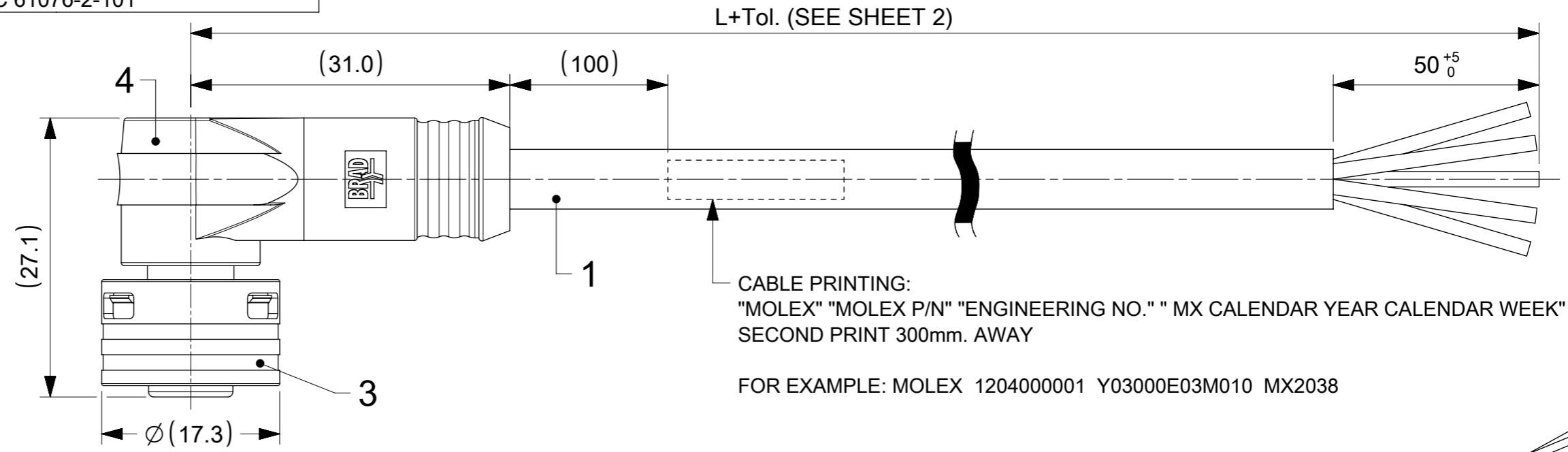
UNIT:  
M = METER  
F = FEET  
C = CENTIMETER  
T = 10M

LENGTH:  
EXAMPLE:  
010 = 1 m  
050 = 5 m  
100 = 10 m

OPTIONS  
X X

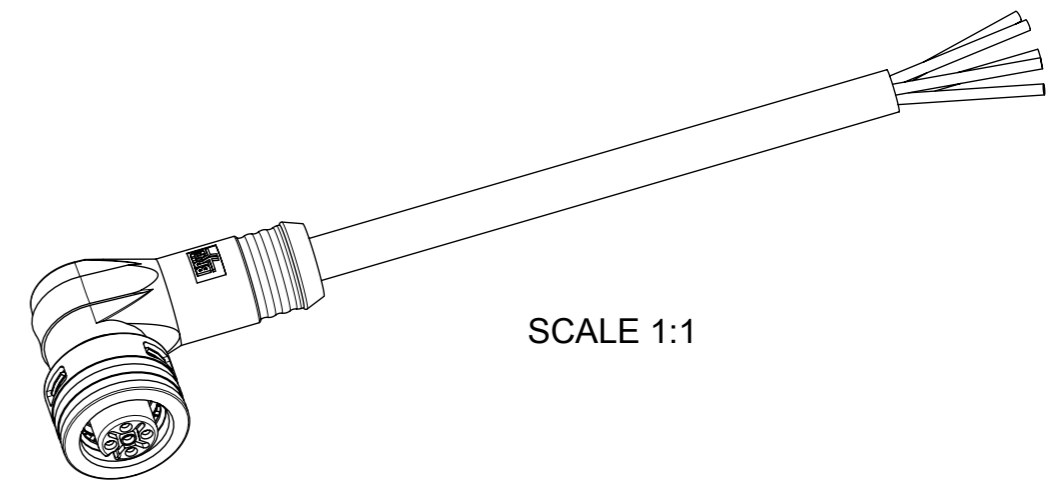
OVERMOLD:  
BLANK = STANDARD BRAD:  
-YELLOW IN THE USA  
-BLACK IN EUROPE  
A = GREY  
E = RED  
G = BLACK  
Y = YELLOW  
H = STD. COLOUR WITH TWO ID-TAG CARRIERS

CODING ACCORDING TO IEC 61076-2-101



NOTES:

- PARTS ACC. TO PRODUCT SPECIFICATION 1204000001 PS P10 AND IN STYLE OF IEC-61076-2-010
- BOM & PART LIST - SEE SHEET 2
- RATED VOLTAGE :  
3, 4 CONTACTS: 250V AC OR DC  
5 CONTACTS: 60V AC OR DC  
RATED CURRENT:  
3, 4, 5 CONTACTS: 4A, DERATING HAS TO BE CONSIDERED  
OVERVOLTAGE CATEGORY: 3  
POLLUTION DEGREE: 3, ONLY IN MATED AND LOCKED CONDITION
- PROTECTION CLASS: IP 67, ONLY IN MATED AND LOCKED CONDITION
- TEMPERATURE RANGE:  
TEMPERATURE PLUG/SOCKET: -40 °C TO +85 °C  
TEMPERATURE CABLE: SEE CABLE LIST
- MECHANICAL OPERATIONS: 100 CYCLES
- MATES WITH ULTRA-LOCK M12 MALE RECEPTACLES
- PACKAGING: THE CORDSETS ARE SINGLE PACKED IN PLASTIC BAGS AND DELIVERED IN CARTON BOXES
- UL CSA FILE REGISTRATION PENDING



FUNCTIONAL SYMBOLS	THIS DRAWING CONTAINS INFORMATION THAT IS PROPRIETARY TO MOLEX ELECTRONIC TECHNOLOGIES, LLC AND SHOULD NOT BE USED WITHOUT WRITTEN PERMISSION	SCALE		CURRENT REV DESC: NOTES AND CABLE LIST UPDATED	<b>molex</b>				
	mm	2:1	CSE U12 3-5P AC FE RA XM SE UNSH BK						
	GENERAL TOLERANCES (UNLESS SPECIFIED)		EC NO: 736602						
	ANGULAR TOL ± 1.0°		DRWN: RSCHIEBER 2023/01/23						
DIVISIONAL SYMBOLS	4 PLACES ±	3 PLACES ±		2023/01/31	PRODUCT CUSTOMER DRAWING				
	2 PLACES ± 0.05	1 PLACE ± 0.3		2023/01/31	DOCUMENT NUMBER				
	0 PLACES ± 0.5	DRAFT WHERE APPLICABLE MUST REMAIN WITHIN DIMENSIONS		2020/09/16	1204000224				
	THIRD ANGLE PROJECTION		DRAWING	SERIES	MATERIAL NUMBER	CUSTOMER	DOC TYPE	DOC PART	REVISION
A3-SIZE		120400	SEE SHEET 2	GENERAL MARKET	PSD	000	A3	SHEET NUMBER	
								1 OF 2	

