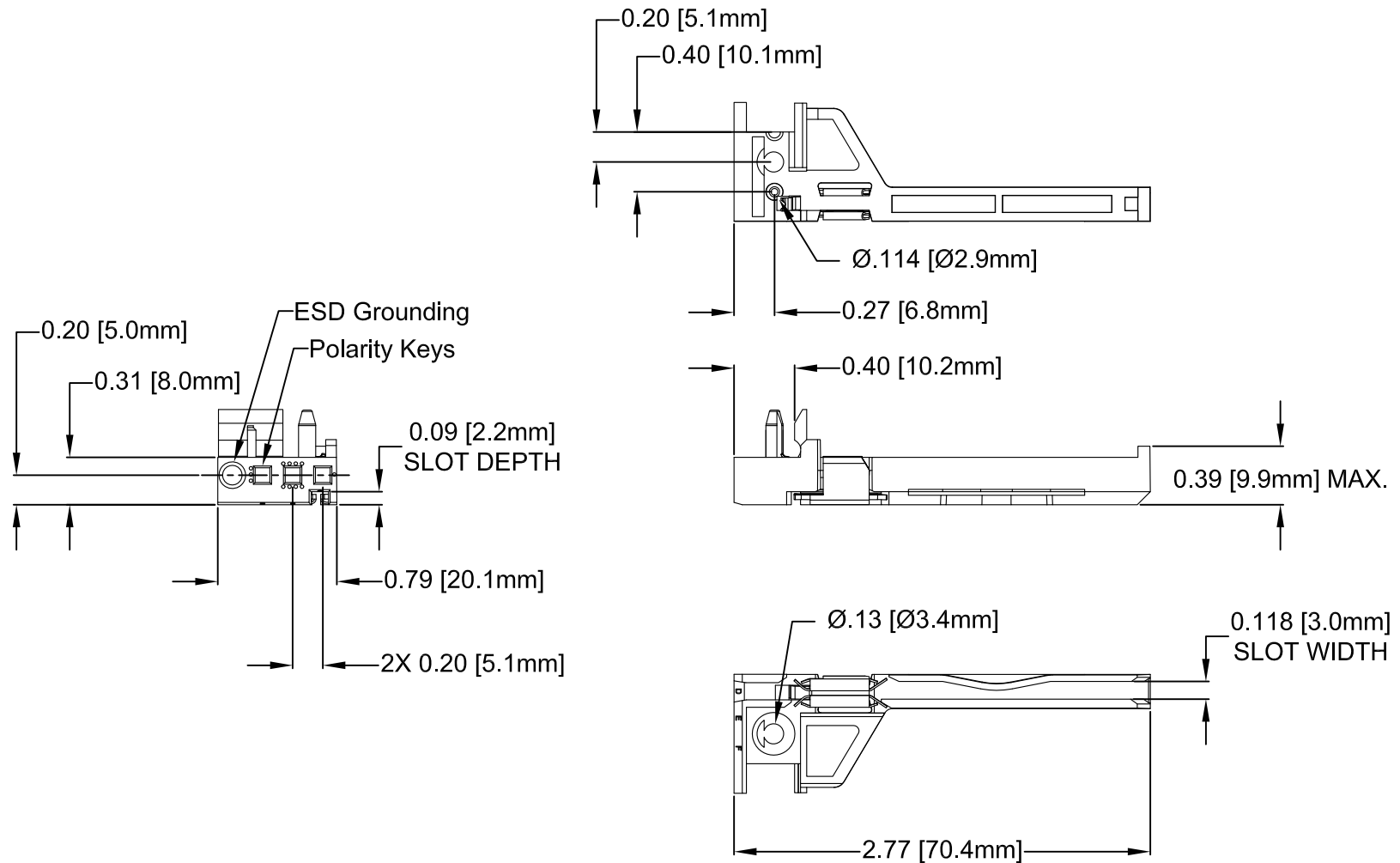


| ITEM | Q'TY | PART NUMBER | PART DESCRIPTION                                |
|------|------|-------------|---|
| 1    | 1    | CPCI-TGX-T  | Transition Card Guide, Top, SEE SHEET 2 TABLE 1 |
| 2    | 1    | CPCI-ESD1   | CPCI ESD Clips, PCB Grounding, SEE SHEET 2      |

| REV. | DESCRIPTION          | DATE     | APPROVED |
|------|----------------------|----------|----------|
| A    | Engineering Release. | 08/21/14 | J. C.    |
|      |                      |          |          |
|      |                      |          |          |
|      |                      |          |          |



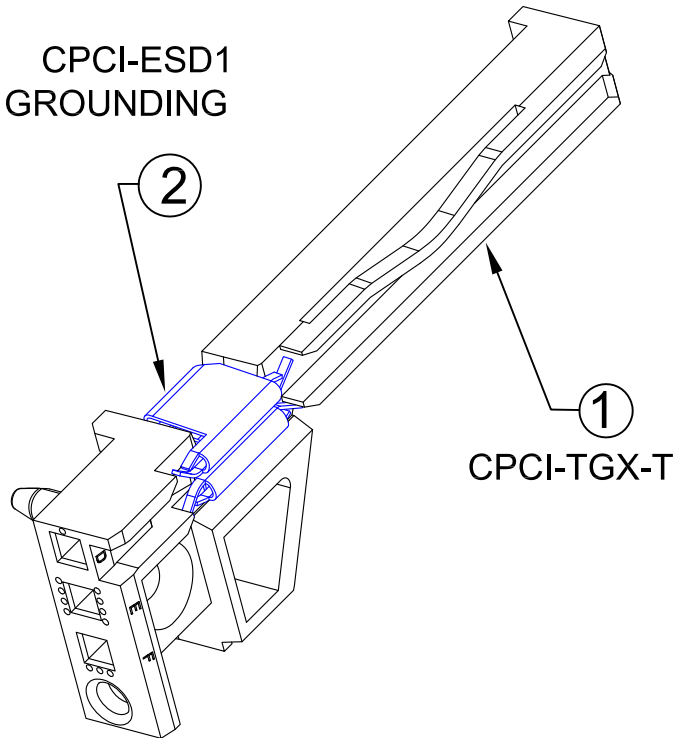
2. MATERIAL: POLYCARBONATE, 20% GLASS FILLED

1. GENERAL SPECIFICATIONS: BIVAR MOLDED COMPONENT SPECIFICATION BV00-E101.

| STANDARD TOLERANCE<br>( UNLESS OTHERWISE SPECIFIED ) |         | BIVAR®  |                |
|--|---------|---|----------------|
| DECIMALS   | ANGULAR | 4 THOMAS, IRVINE, CA. 92618                     |                |
| .X ±.1   | X° ± 1° | TEL: (949) 951-8808 FAX: (949) 951-3974         |                |
| .XX ±.01   |         | TITLE: TRANSITION CARD GUIDE WITH ESD CLIP, TOP |                |
| .XXX ±.005   |         | PART NO: CPCI-TGX-T-ESD1                        |                |
|  |         | DESIGNED: Alex Wright                           | DATE: 08/21/14 |
|  |         | CHECKED: Brian Oliver                           | DATE: 08/21/14 |
|  |         | CAGE CODE : 32559                               | SHEET # 1 OF 2 |
|  |         | REVISION: A                                     |                |
|  |         | CAD GENERATED DOCUMENT, DO NOT MEASURE DRAWING. |                |

| REV. | DESCRIPTION  | DATE | APPROVED |
|------|--------------|------|----------|
|      | SEE SHEET #1 |      |          |
|      |              |      |          |
|      |              |      |          |
|      |              |      |          |


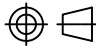
CPCI-ESD1  
PCB EDGE GROUNDING



**TABLE 1  
ASSEMBLY CONFIGURATIONS**

| ASSEMBLY PART NUMBERS | COLOR  |
|-----------------------|--------|
| CPCI-TG-T-ESD1        | GREY   |
| CPCI-TGY-T-ESD1       | YELLOW |

NOTE: ESD CLIP COMES PRE-ASSEMBLED

|  |                          |   |   |                |
|--|--------------------------|---|---|----------------|
| STANDARD TOLERANCE<br>( UNLESS OTHERWISE SPECIFIED ) |                          | <br>4 THOMAS, IRVINE, CA. 92618<br>TEL: (949) 951-8808 FAX: (949) 951-3974 |   |                |
| DECIMALS   | ANGULAR                  |   |   |                |
| .X ±.1   | X° ± 1°                  |    | TITLE: TRANSITION CARD GUIDE<br>WITH ESD CLIPS, TOP |                |
| .XX ±.01   |                          |   | PART NO:<br>CPCI-TGX-T-ESD1                         | REVISION:<br>A |
| .XXX ±.005   |                          |   | CAGE CODE : 32559                                   | SHEET # 1 OF 2 |
| DESIGNED:<br><b>Alex Wright</b>                      | DATE:<br><b>08/21/14</b> | CAD GENERATED DOCUMENT, DO NOT MEASURE DRAWING.   |   |                |
| CHECKED:<br><b>Brian Oliver</b>                      | DATE:<br><b>08/21/14</b> |   |   |                |