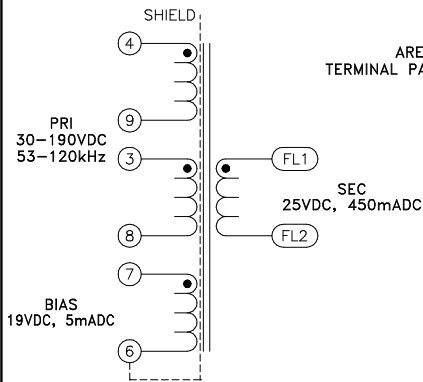
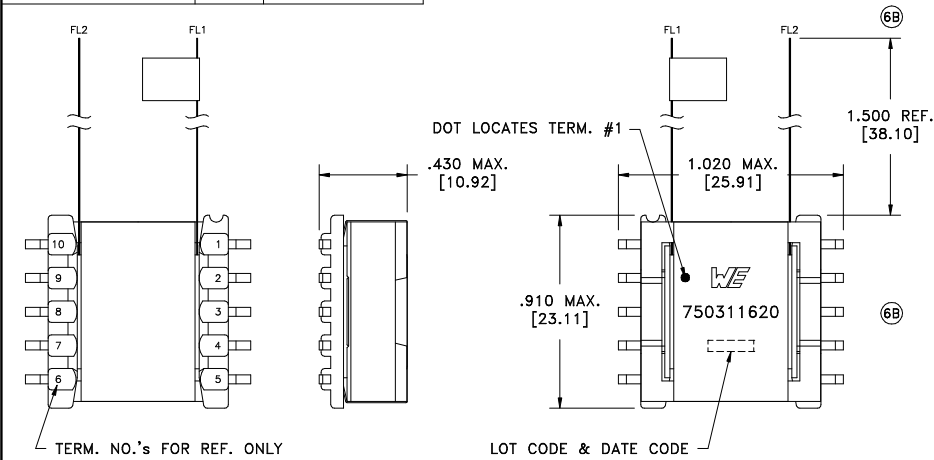
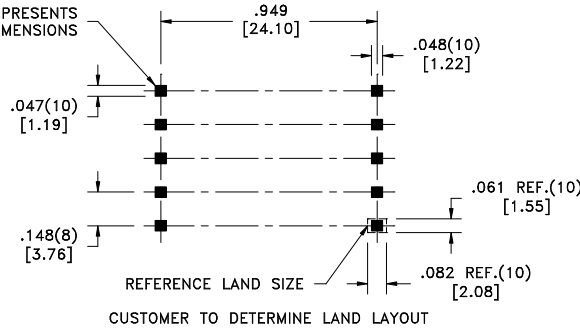


CUSTOMER TERMINAL	RoHS	LEAD(Pb)-FREE
Sn96%, Ag4%	Yes	Yes

more than you expect



Customer to tie terminals 3+9 internally on PC board.



ELECTRICAL SPECIFICATIONS @ 25°C unless otherwise noted:

PARAMETER	TEST CONDITIONS	VALUE
D.C. RESISTANCE	4-8 tie(3+9), @20°C	1.96 ohms ±20%
D.C. RESISTANCE	7-6 @20°C	0.335 ohms ±20%
D.C. RESISTANCE	FL1-FL2 @20°C	0.110 ohms ±20%
INDUCTANCE	4-8 tie(3+9), 10kHz, 100mVAC, Ls	1.90mH ±10%
SATURATION CURRENT	20% rolloff from initial	620mA
LEAKAGE INDUCTANCE	4-8 tie(3+9, FL1+FL2), 100kHz, 100mVAC, Ls	14uH typ., 20uH max.
DIELECTRIC	4-FL1 tie(3+9, 4+7), 4500VAC, 1 second	4500VAC, 1 minute
URNS RATIO	(4-8):(7-6), tie(3+9)	7:1, ±2%
URNS RATIO	(4-8):(FL1-FL2), tie(3+9)	5.33:1, ±2%
URNS RATIO	(4-9):(3-8)	1:1, ±2%

GENERAL SPECIFICATIONS:

OPERATING TEMPERATURE RANGE: -40°C to +125°C including temp rise.

Designed to comply with the following requirements as defined by IEC61558-2-17:  
- Reinforced insulation for a primary circuit at a working voltage of 400VDC.

Wire insulation & RoHS status not affected by wire color.  
Wire insulation color may vary depending on availability.

REV.	DATE	Packaging Specifications Method: Tray PKG-0058 www.we-online.com/midcom		Tolerances unless otherwise specified: Angles: ±1°      Decimals: ±.005 [.13] Fractions: ±1/64      Footprint: ±.005 [.13]	DRAWING TITLE <b>TRANSFORMER</b>	PART NO. <b>750311620</b>
6B	4/11		CONVENTION PLACEMENT	This drawing is dual dimensioned. Dimensions in brackets are in millimeters.	eiSos p/n: 750311620	
6A	11/10	SEE REVISION SHEET FOR REVISION LEVEL	REVISION LEVEL			SPECIFICATION SHEET 1 OF 1

