

MATERIALS AND FINISHES

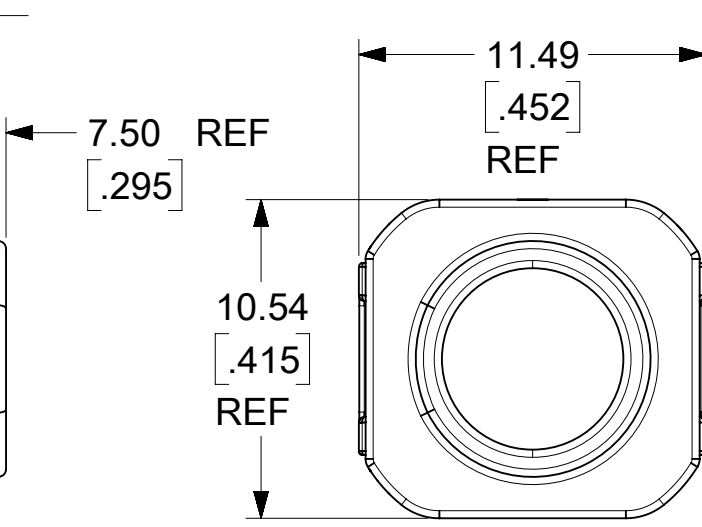
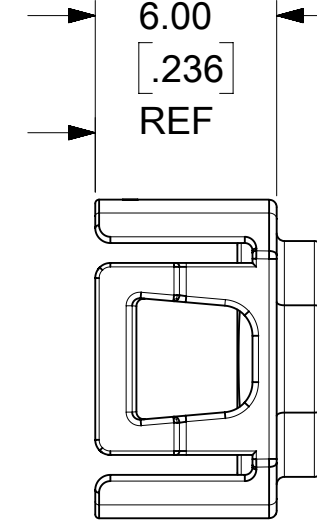
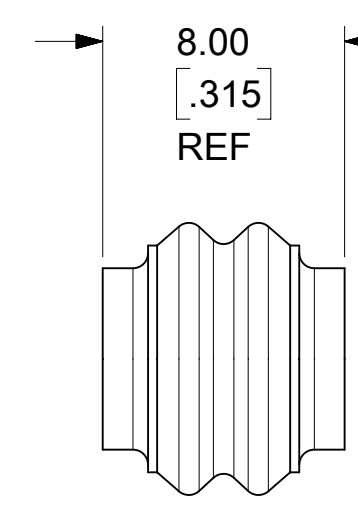
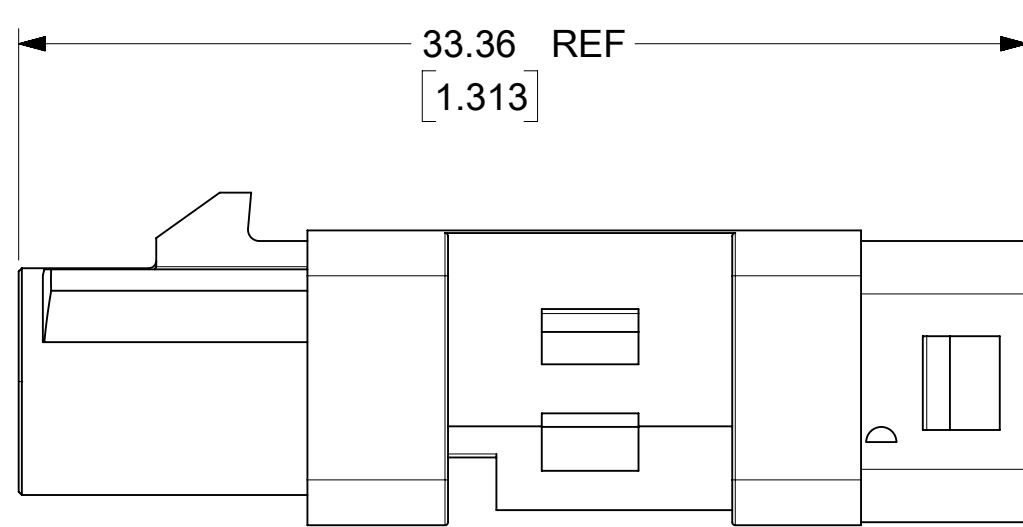
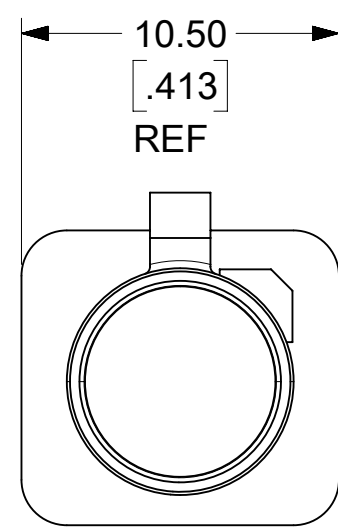
SMB (73404-3290): SEE SD-73404-329

SHROUD: SPS/PA66  
COLOR SEE SHEET 2

END CAP, ISL CLIP SLOT: SPS/PA66  
COLOR BLACK

CABLE SEAL: A2900 SILICONE RUBBER  
30 DUROMETER, COLOR BROWN

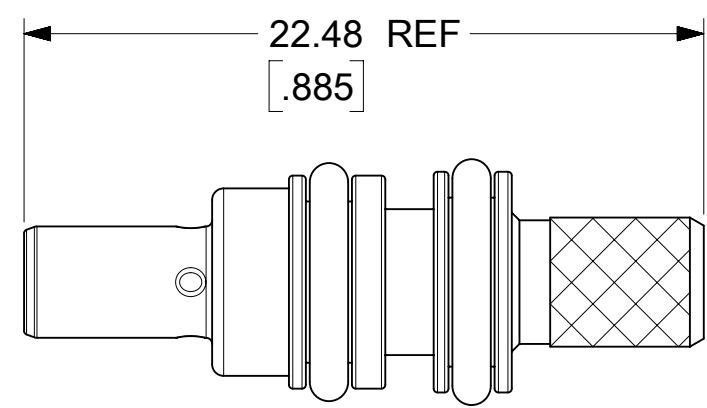
CRIMP TUBE: COPPER  
PLATED TIN (100µ-in MIN) OVER  
NICKEL (100µ-in MIN)



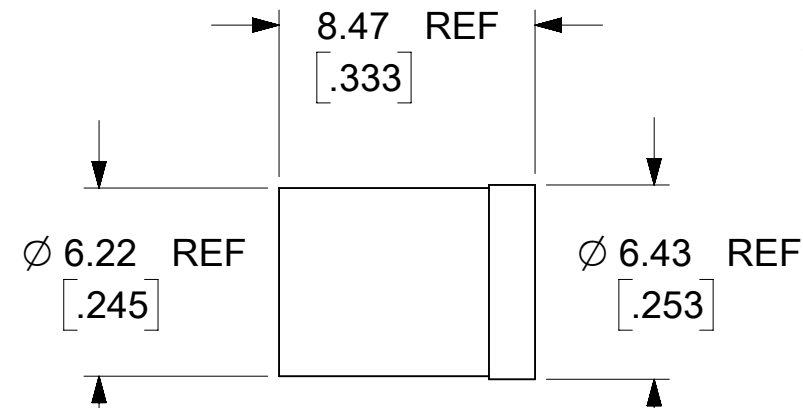
FAKRA JACK SHROUD  
(CODE E SHOWN)

CABLE SEAL

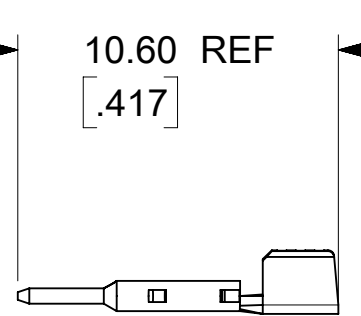
END CAP



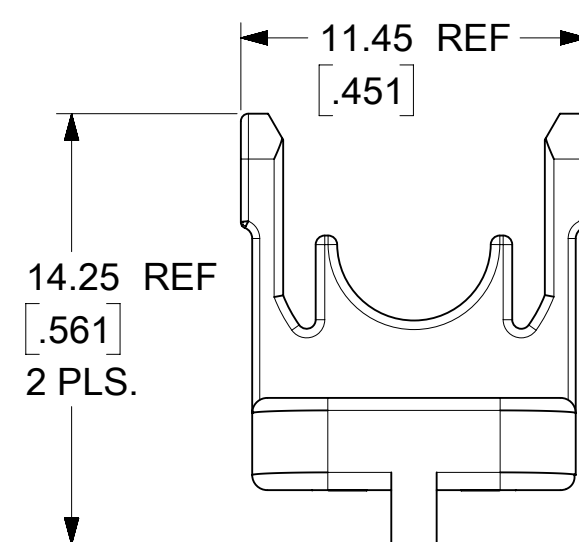
SMB JACK SUB-ASSEMBLY



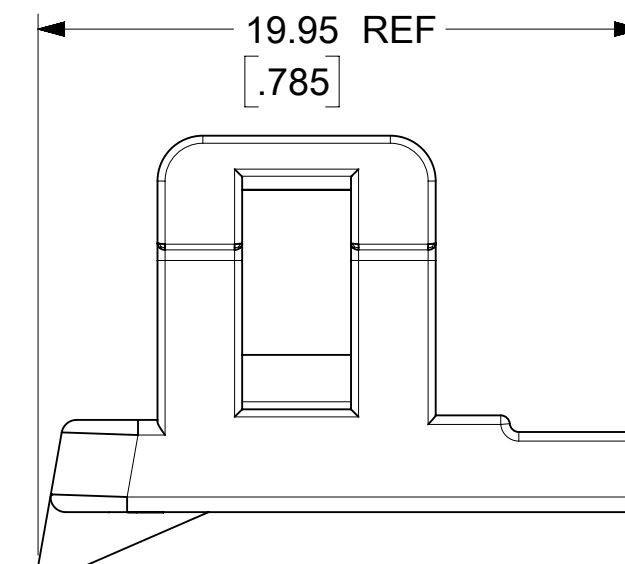
CRIMP TUBE



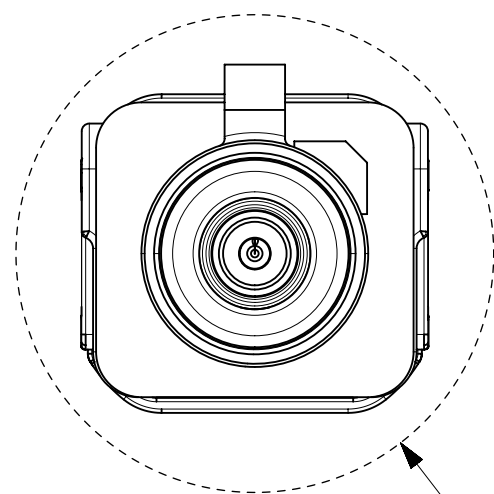
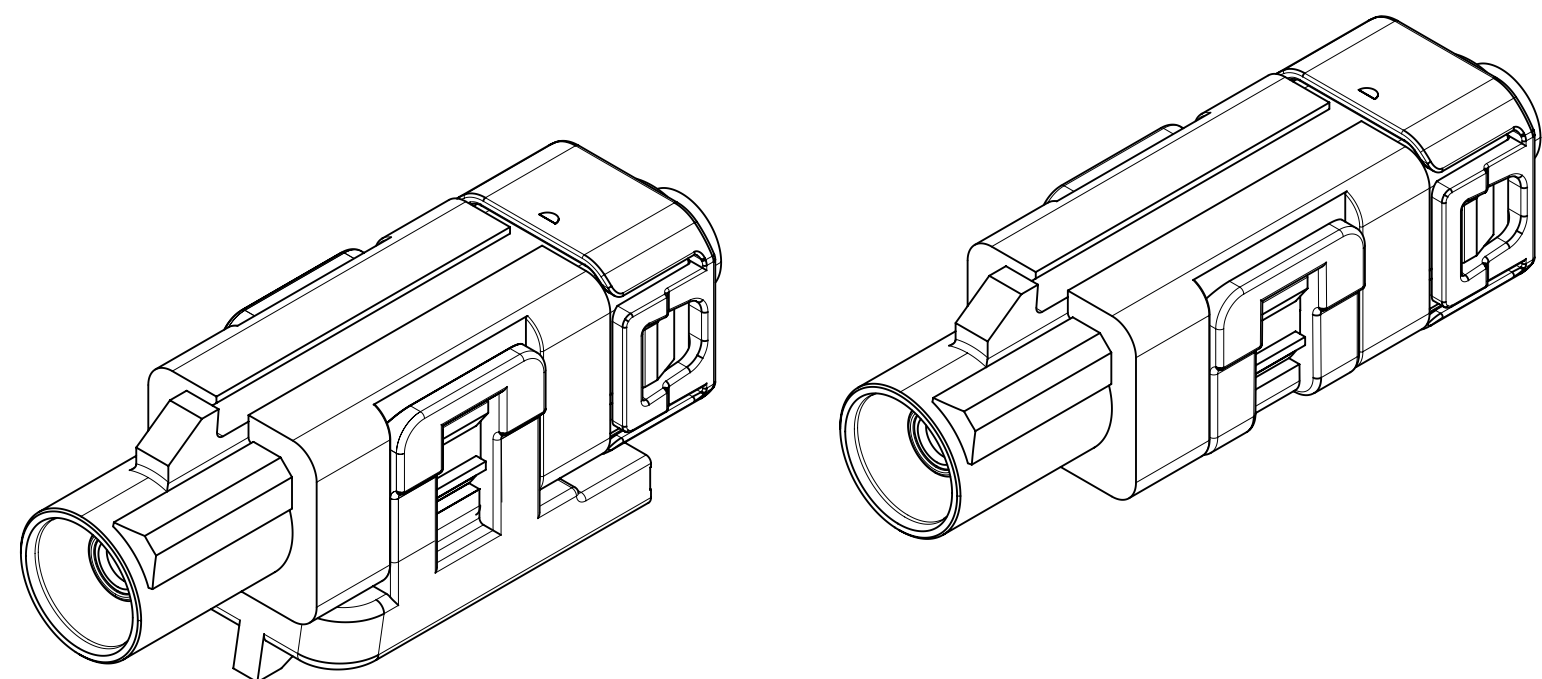
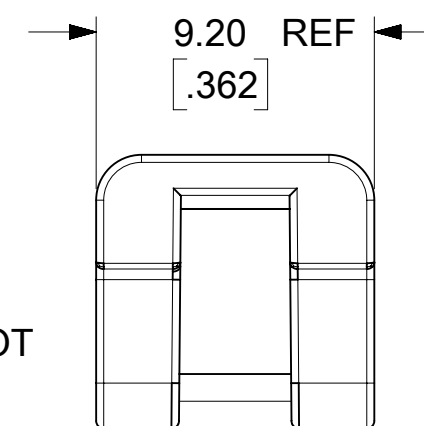
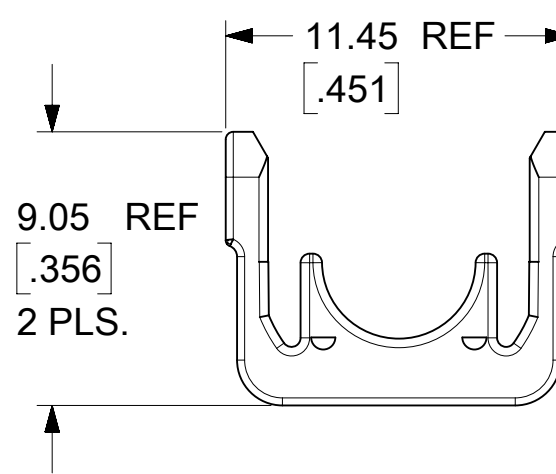
CONTACT  
(SHOWN LOOSE  
COMES T&R)



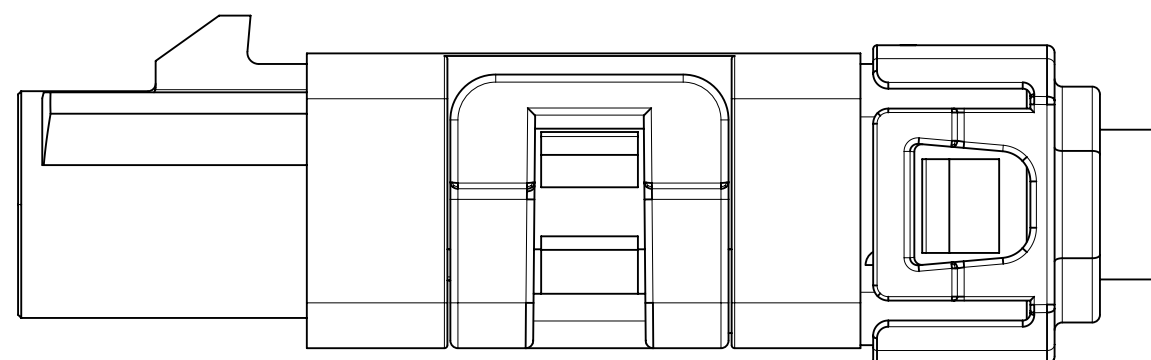
ISL 7mm  
CLIP SLOT



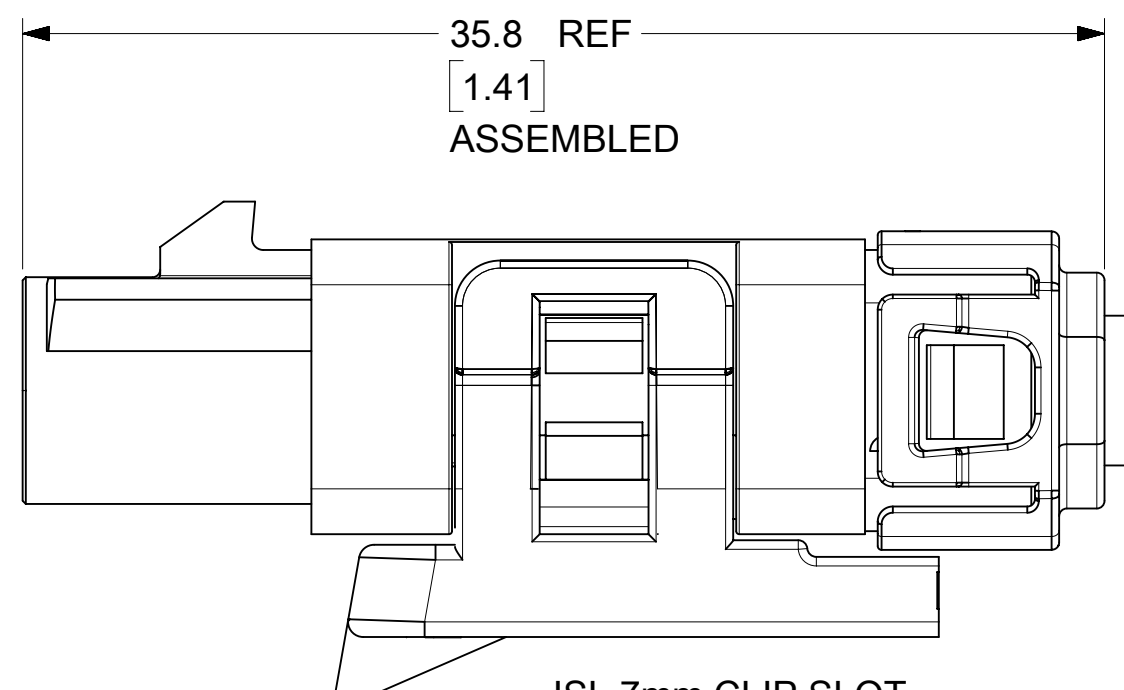
ISL NO  
CLIP SLOT



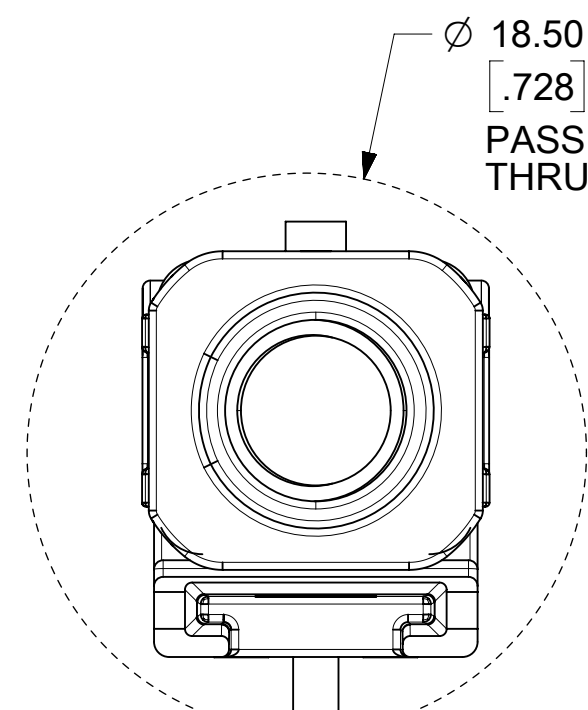
Ø 15.80  
.622  
PASS  
THRU



ISL NO  
CLIP SLOT



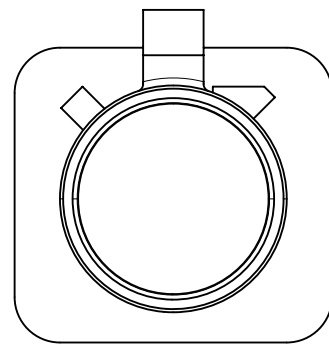
ISL 7mm CLIP SLOT



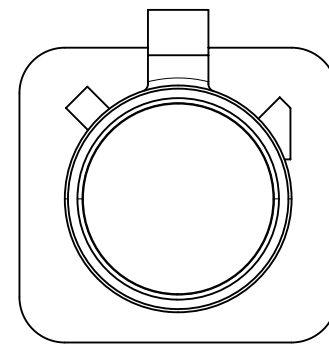
Ø 18.50  
.728  
PASS  
THRU

SEE SHEET 2 FOR SHROUD COLORS & KEYS  
SEE SHEET 3-4 FOR ORDERING SCHEME

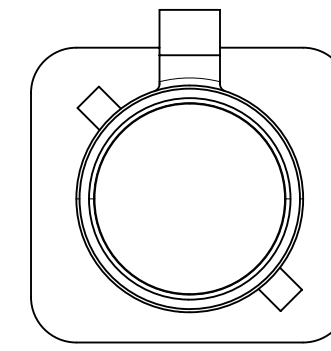
QUALITY SYMBOLS	THIS DRAWING CONTAINS INFORMATION THAT IS PROPRIETARY TO MOLEX ELECTRONIC TECHNOLOGIES, LLC AND SHOULD NOT BE USED WITHOUT WRITTEN PERMISSION			
	2017/09/07 2017/09/21 MIGRATED EC NO: 122054 DRWN: BSHAH CHKD: REV / APPR: AROBERTSON		DIMENSION UNITS METRIC DRWN BY LMEIER CHK'D BY SSS APPR BY AROBERTSON DRAWING SIZE C DRAFT WHERE APPLICABLE MUST REMAIN WITHIN DIMENSIONS	SCALE NTS DATE 2016/05/16 DATE 2016/05/16 DATE 2016/07/12 THIRD ANGLE PROJECTION
AS-89675-506 SPECIFICATION		ASSEMBLY INSTRUCTIONS DESCRIPTION		molex®  FAKRA JACK SEALED RG58 7 MM CLIP SLOT FAKRA-JC, EWR-10016  PRODUCT CUSTOMER DRAWING
RELEASE STATUS P1	RELEASE DATE 21.09.2017 20:44:23	SERIES 73403	MATERIAL NUMBER SEE SHT'S 3 & 4	
DOCUMENT NUMBER SD-73403-105		DOC TYPE PSD	DOC PART 001	SHEET NUMBER 1 OF 4



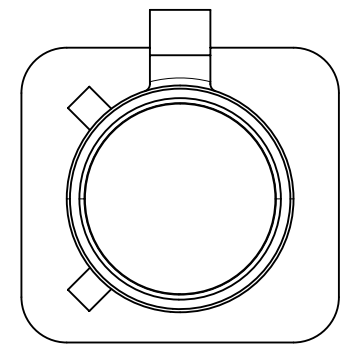
CODE A



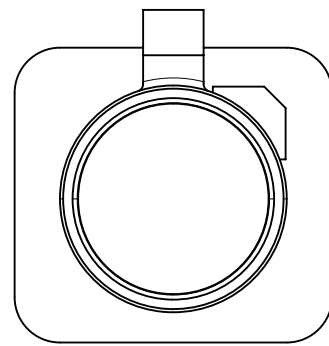
CODE B



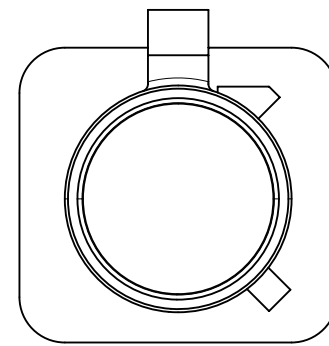
CODE C



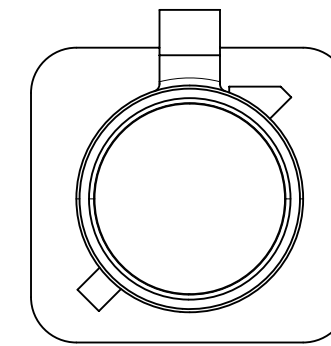
CODE D



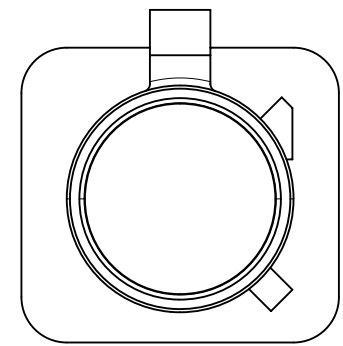
CODE E



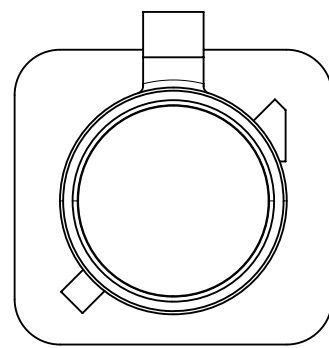
CODE F



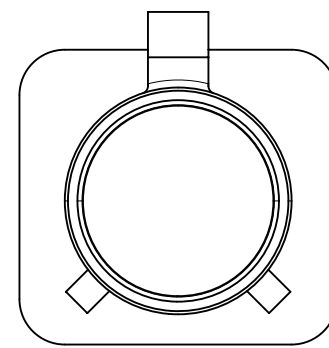
CODE G



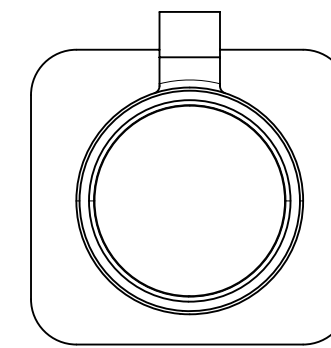
CODE H



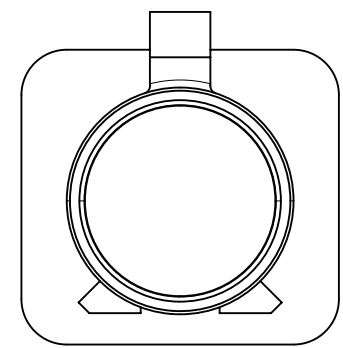
CODE I



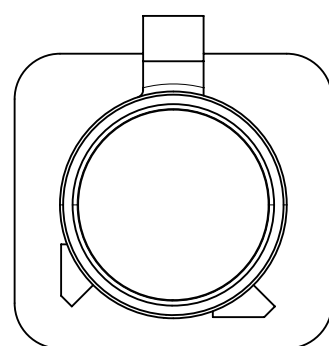
CODE K



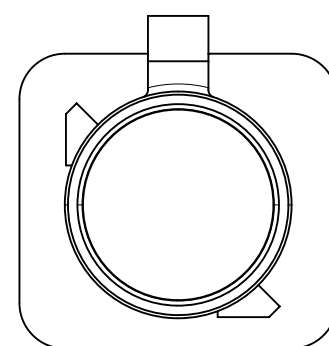
CODE Z



CODE L



CODE M



CODE N

89558-9203	N	PASTEL GREEN
89558-9202	M	PASTEL ORANGE
89558-9201	L	CARMINE RED
89558-9200	Z	WATER BLUE
89558-9199	K	CURRY YELLOW
89558-9198	I	BEIGE
89558-9197	H	VIOLET
89558-9196	G	GRAY
89558-9195	F	BROWN
89558-9194	E	GREEN
89558-9193	D	BORDEAUX VIOLET
89558-9192	C	BLUE
89558-9191	B	CREAM WHITE
89558-9190	A	BLACK
SHROUD NO.	KEY CODE	COLOR

<b>QUALITY SYMBOLS</b> 	THIS DRAWING CONTAINS INFORMATION THAT IS PROPRIETARY TO MOLEX ELECTRONIC TECHNOLOGIES, LLC AND SHOULD NOT BE USED WITHOUT WRITTEN PERMISSION						
	EC NO: 122054 DRWN: BSHAH CHKD: REV / APPR: AROBERTSON	2017/09/07 2017/09/21 MIGRATED	GENERAL TOLERANCES (UNLESS SPECIFIED)		DIMENSION UNITS	SCALE	
				MM	INCH	METRIC	NTS
			4 PLACES	±	±	DRWN BY	DATE
			3 PLACES	±	± 0.005	LMEIER	2016/05/16
			2 PLACES	± 0.13	± 0.01	CHK'D BY	DATE
	1 PLACES	± 0.25	±	SSS	2016/05/16		
	0 PLACES	±	±	APPR BY	DATE		
				AROBERTSON	2016/07/12		
	ANGULAR TOL = 2.0		DRAWING SIZE	THIRD ANGLE PROJECTION			
DRAFT WHERE APPLICABLE MUST REMAIN WITHIN DIMENSIONS		C					

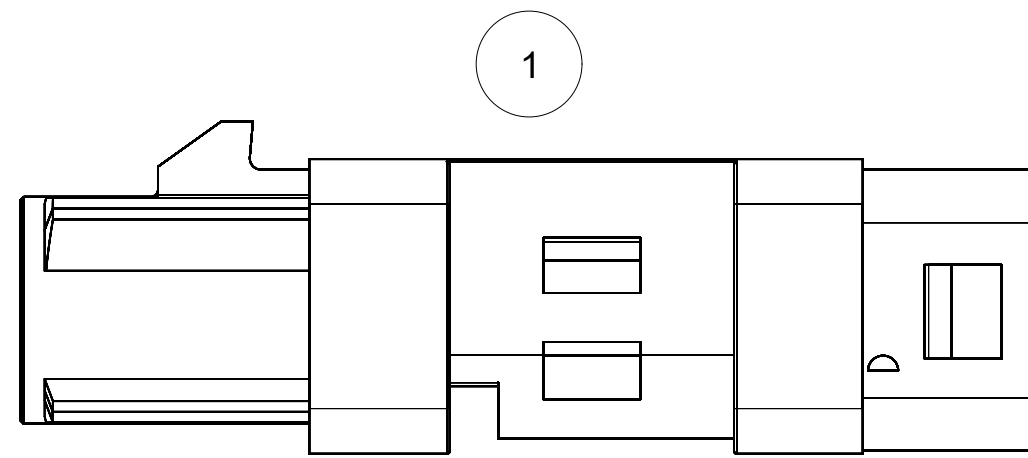


FAKRA JACK SEALED  
RG58 7 MM CLIP SLOT FAKRA-JC, EWR-10016

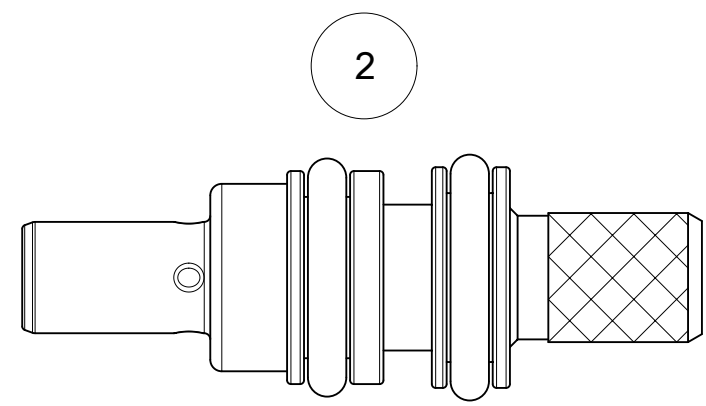
PRODUCT CUSTOMER DRAWING

SERIES	MATERIAL NUMBER	CUSTOMER
73403	SEE SHT'S 3 & 4	

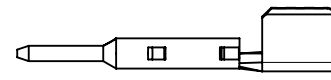
DOCUMENT NUMBER	DOC TYPE	DOC PART	SHEET NUMBER
SD-73403-105	PSD	001	2 OF 4



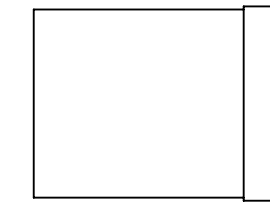
SHROUD



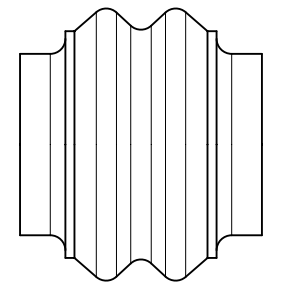
SMB SUB-ASSEMBLY



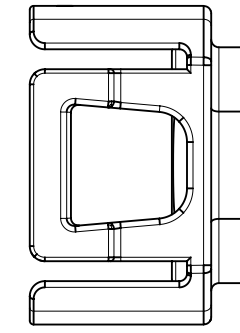
CONTACT  
(SHOWN LOOSE  
COMES ON T&R)



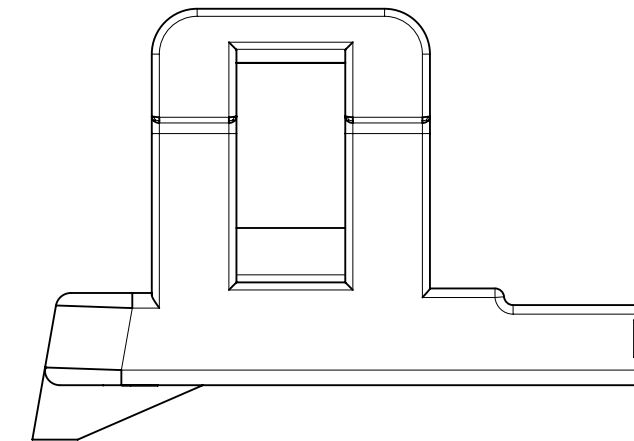
CRIMP TUBE



CABLE SEAL



END CAP

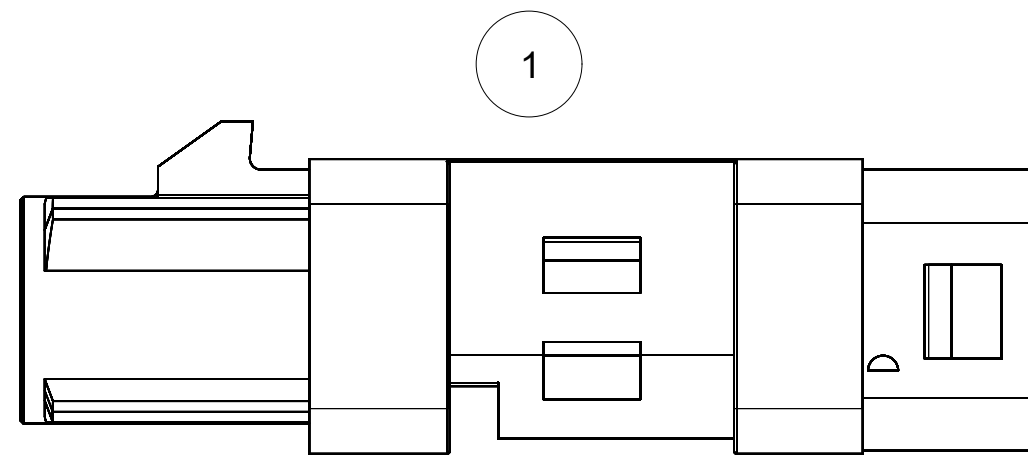


ISL 7mm CLIP SLOT

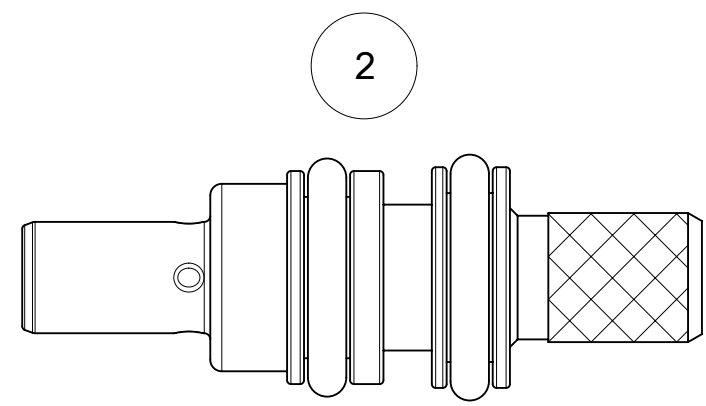
- NOTES:  
 1. ITEM 2 TO BE TRAY PACKED.  
 2. ALL ITEMS MAY BE BAGGED INDIVIDUALLY TOGETHER WHEN SOLD AS 73403-1XXX ASSEMBLY NUMBER.  
 3. ITEMS 1/3/4/5/6/7 MAY BE INDIVIDUALLY BULK PACKED. BULK PACKAGE QUANTITIES MUST NOT INDUCE ANY DAMAGE TO PARTS.

73403-1063	N	PASTEL GREEN	89558-9203	73404-3290	89556-2511	89558-7992	89558-9230	89558-9210	89558-8140
73403-1062	M	PASTEL ORANGE	89558-9202	73404-3290	89556-2511	89558-7992	89558-9230	89558-9210	89558-8140
73403-1061	L	CARMINE RED	89558-9201	73404-3290	89556-2511	89558-7992	89558-9230	89558-9210	89558-8140
73403-1060	Z	WATER BLUE	89558-9200	73404-3290	89556-2511	89558-7992	89558-9230	89558-9210	89558-8140
73403-1059	K	CURRY YELLOW	89558-9199	73404-3290	89556-2511	89558-7992	89558-9230	89558-9210	89558-8140
73403-1058	I	BEIGE	89558-9198	73404-3290	89556-2511	89558-7992	89558-9230	89558-9210	89558-8140
73403-1057	H	VIOLET	89558-9197	73404-3290	89556-2511	89558-7992	89558-9230	89558-9210	89558-8140
73403-1056	G	GRAY	89558-9196	73404-3290	89556-2511	89558-7992	89558-9230	89558-9210	89558-8140
73403-1055	F	BROWN	89558-9195	73404-3290	89556-2511	89558-7992	89558-9230	89558-9210	89558-8140
73403-1054	E	GREEN	89558-9194	73404-3290	89556-2511	89558-7992	89558-9230	89558-9210	89558-8140
73403-1053	D	BORDEAUX VIOLET	89558-9193	73404-3290	89556-2511	89558-7992	89558-9230	89558-9210	89558-8140
73403-1052	C	BLUE	89558-9192	73404-3290	89556-2511	89558-7992	89558-9230	89558-9210	89558-8140
73403-1051	B	CREAM WHITE	89558-9191	73404-3290	89556-2511	89558-7992	89558-9230	89558-9210	89558-8140
73403-1050	A	BLACK	89558-9190	73404-3290	89556-2511	89558-7992	89558-9230	89558-9210	89558-8140
PART NO.	KEY CODE	COLOR	ITEM NO. 1	ITEM NO. 2	ITEM NO. 3	ITEM NO. 4	ITEM NO. 5	ITEM NO. 6	ITEM NO. 7
			SHROUD	SMB SUB-ASSY	CONTACT (T&R)	CRIMP TUBE	CABLE SEAL	END CAP	ISL 7mm CS

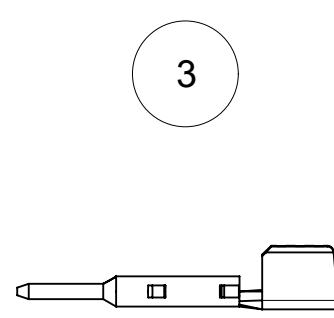
QUALITY SYMBOLS ▽ = 0 ▽ = 0 ▽ = 0 ▽ = 0 ▽ = 0 ▽ = 0 ▽ = 0 ▽ = 0 ▽ = 0 ▽ = 0 ▽ = 0	THIS DRAWING CONTAINS INFORMATION THAT IS PROPRIETARY TO MOLEX ELECTRONIC TECHNOLOGIES, LLC AND SHOULD NOT BE USED WITHOUT WRITTEN PERMISSION MIGRATED EC NO: 122054 DRWN: BSHAH CHKD: REV / APPR: AROBERTSON	GENERAL TOLERANCES (UNLESS SPECIFIED) METRIC      NTS DRWN BY      DATE LMEIER      2016/05/16		
		4 PLACES ±      ± 3 PLACES ±      ± 0.005 2 PLACES ± 0.13      ± 0.01 1 PLACES ± 0.25      ± 0 PLACES ±      ±		
ANGULAR TOL = 2.0 DRAFT WHERE APPLICABLE MUST REMAIN WITHIN DIMENSIONS		APPR BY      DATE AROBERTSON      2016/07/12		PRODUCT CUSTOMER DRAWING
DRAWING SIZE      THIRD ANGLE PROJECTION C		SERIES      MATERIAL NUMBER      CUSTOMER 73403      SEE TABLE		DOCUMENT NUMBER      DOC TYPE      DOC PART      SHEET NUMBER SD-73403-105      PSD      001      3 OF 4



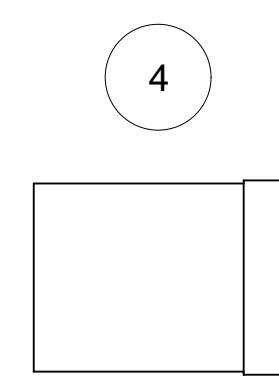
SHROUD



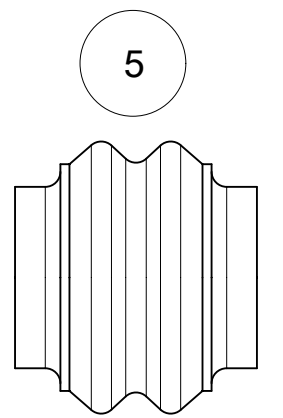
SMB SUB-ASSEMBLY



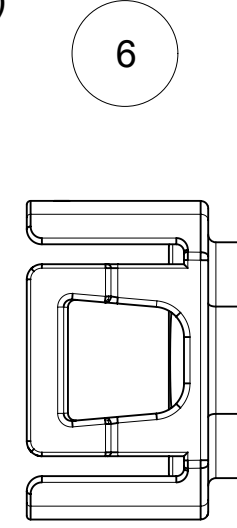
CONTACT  
(SHOWN LOOSE  
COMES ON T&R)



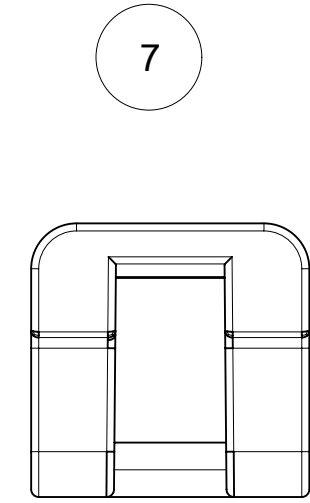
CRIMP TUBE



CABLE SEAL



END CAP



ISL NO CLIP SLOT

NOTES:

- 1. ITEM 2 TO BE TRAY PACKED.
- 2. ALL ITEMS MAY BE BAGGED INDIVIDUALLY TOGETHER WHEN SOLD AS 73403-1XXX ASSEMBLY NUMBER.
- 3. ITEMS 1/3/4/5/6/7 MAY BE INDIVIDUALLY BULK PACKED. BULK PACKAGE QUANTITIES MUST NOT INDUCE ANY DAMAGE TO PARTS.

73403-1123	N	PASTEL GREEN	89558-9203	73404-3290	89556-2511	89558-7992	89558-9230	89558-9210	89558-8150
73403-1122	M	PASTEL ORANGE	89558-9202	73404-3290	89556-2511	89558-7992	89558-9230	89558-9210	89558-8150
73403-1121	L	CARMINE RED	89558-9201	73404-3290	89556-2511	89558-7992	89558-9230	89558-9210	89558-8150
73403-1120	Z	WATER BLUE	89558-9200	73404-3290	89556-2511	89558-7992	89558-9230	89558-9210	89558-8150
73403-1119	K	CURRY YELLOW	89558-9199	73404-3290	89556-2511	89558-7992	89558-9230	89558-9210	89558-8150
73403-1118	I	BEIGE	89558-9198	73404-3290	89556-2511	89558-7992	89558-9230	89558-9210	89558-8150
73403-1117	H	VIOLET	89558-9197	73404-3290	89556-2511	89558-7992	89558-9230	89558-9210	89558-8150
73403-1116	G	GRAY	89558-9196	73404-3290	89556-2511	89558-7992	89558-9230	89558-9210	89558-8150
73403-1115	F	BROWN	89558-9195	73404-3290	89556-2511	89558-7992	89558-9230	89558-9210	89558-8150
73403-1114	E	GREEN	89558-9194	73404-3290	89556-2511	89558-7992	89558-9230	89558-9210	89558-8150
73403-1113	D	BORDEAUX VIOLET	89558-9193	73404-3290	89556-2511	89558-7992	89558-9230	89558-9210	89558-8150
73403-1112	C	BLUE	89558-9192	73404-3290	89556-2511	89558-7992	89558-9230	89558-9210	89558-8150
73403-1111	B	CREAM WHITE	89558-9191	73404-3290	89556-2511	89558-7992	89558-9230	89558-9210	89558-8150
73403-1110	A	BLACK	89558-9190	73404-3290	89556-2511	89558-7992	89558-9230	89558-9210	89558-8150
PART NO.	KEY CODE	COLOR	ITEM NO. 1	ITEM NO. 2	ITEM NO. 3	ITEM NO. 4	ITEM NO. 5	ITEM NO. 6	ITEM NO. 7
			SHROUD	SMB SUB-ASSY	CONTACT (T&R)	CRIMP TUBE	CABLE SEAL	END CAP	ISL NO CS

<b>QUALITY SYMBOLS</b> 	THIS DRAWING CONTAINS INFORMATION THAT IS PROPRIETARY TO MOLEX ELECTRONIC TECHNOLOGIES, LLC AND SHOULD NOT BE USED WITHOUT WRITTEN PERMISSION		DIMENSION UNITS <b>METRIC</b> NTS	  <b>FAKRA JACK SEALED</b> <b>RG58 7 MM CLIP SLOT FAKRA-JC, EWR-10016</b>  <b>PRODUCT CUSTOMER DRAWING</b>	
	DRWN BY: LMEIER DATE: 2016/05/16	CHK'D BY: SSS DATE: 2016/05/16	APPR BY: AROBERTSON DATE: 2016/07/12		SERIES: 73403 MATERIAL NUMBER: SEE TABLE CUSTOMER:
	4 PLACES ±    ± 3 PLACES ±    ± 0.005 2 PLACES ± 0.13 ± 0.01 1 PLACES ± 0.25 ±    ± 0 PLACES ±    ±    ±	ANGULAR TOL = 2.0  DRAFT WHERE APPLICABLE MUST REMAIN WITHIN DIMENSIONS	DRAWING SIZE: <b>C</b> THIRD ANGLE PROJECTION		DOCUMENT NUMBER: SD-73403-105 DOC TYPE: PSD DOC PART: 001 SHEET NUMBER: 4 OF 4
	EC NO: 122054 DRWN: BSHAH CHKD: AROBERTSON REV / APPR:	2017/09/07 2017/09/21 MIGRATED	GENERAL TOLERANCES (UNLESS SPECIFIED) MM    INCH 4 PLACES ±    ± 3 PLACES ±    ± 0.005 2 PLACES ± 0.13 ± 0.01 1 PLACES ± 0.25 ±    ± 0 PLACES ±    ±    ±		SCALE: NTS DATE: 2016/05/16 DATE: 2016/05/16 DATE: 2016/07/12
	RELEASE STATUS: P1 RELEASE DATE: 21.09.2017 20:44:23	12 11 10 9 8 7 6 5 4 3 2 1	12 11 10 9 8 7 6 5 4 3 2 1		12 11 10 9 8 7 6 5 4 3 2 1