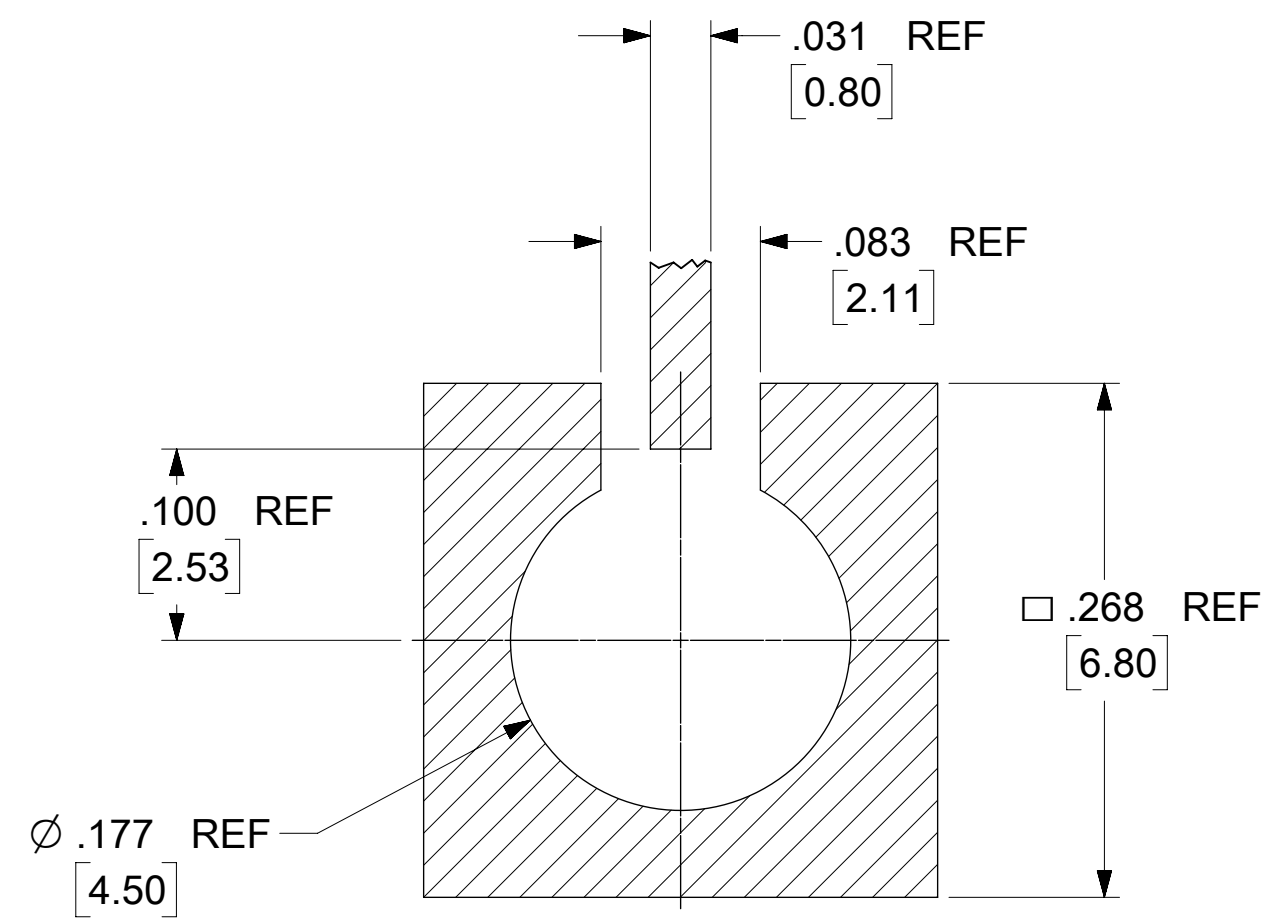
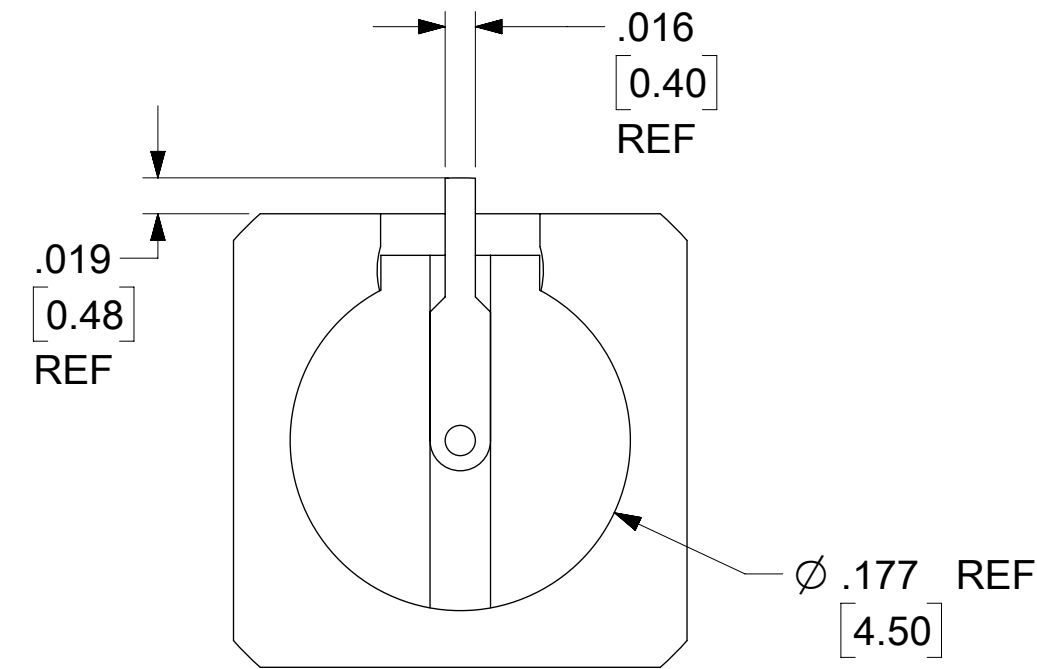
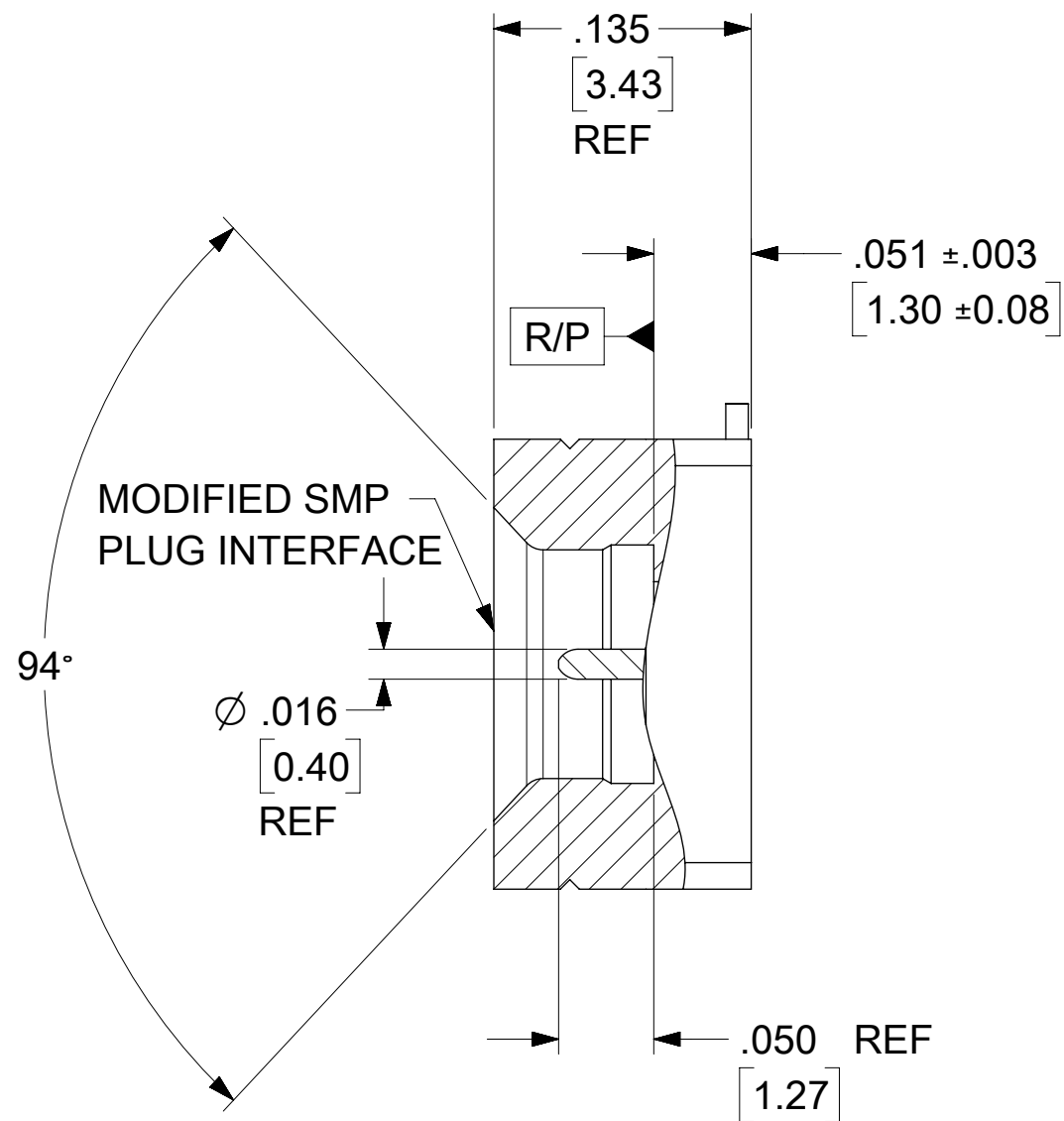
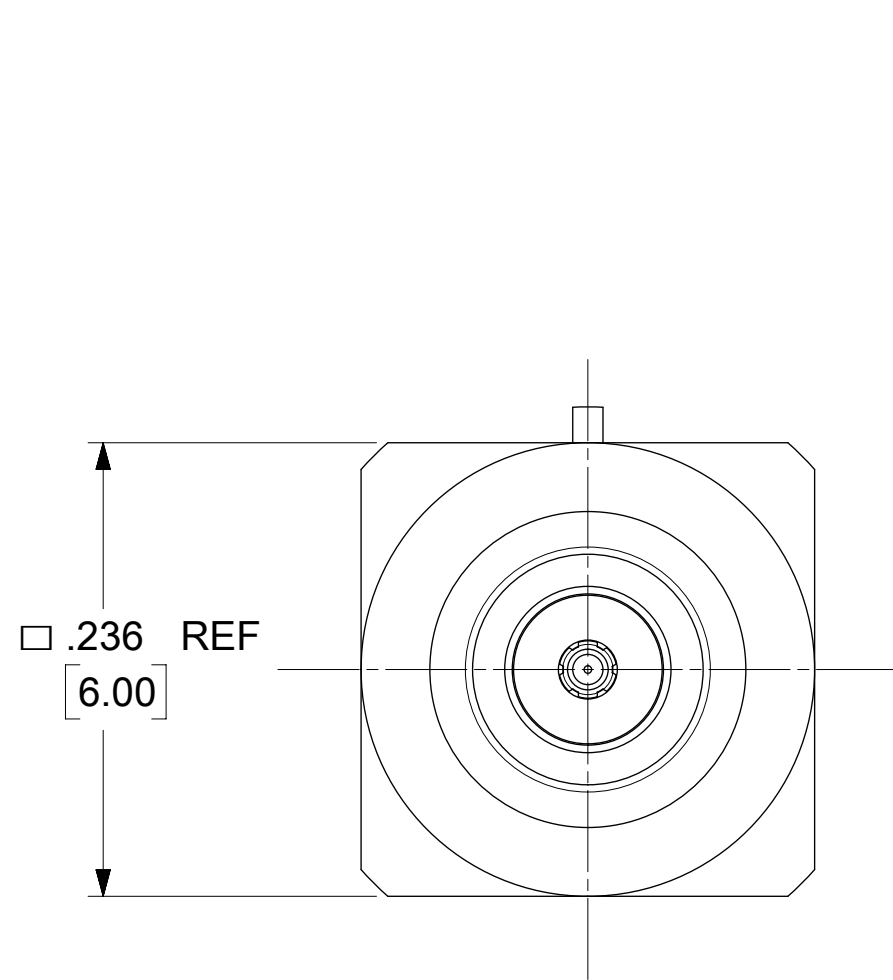
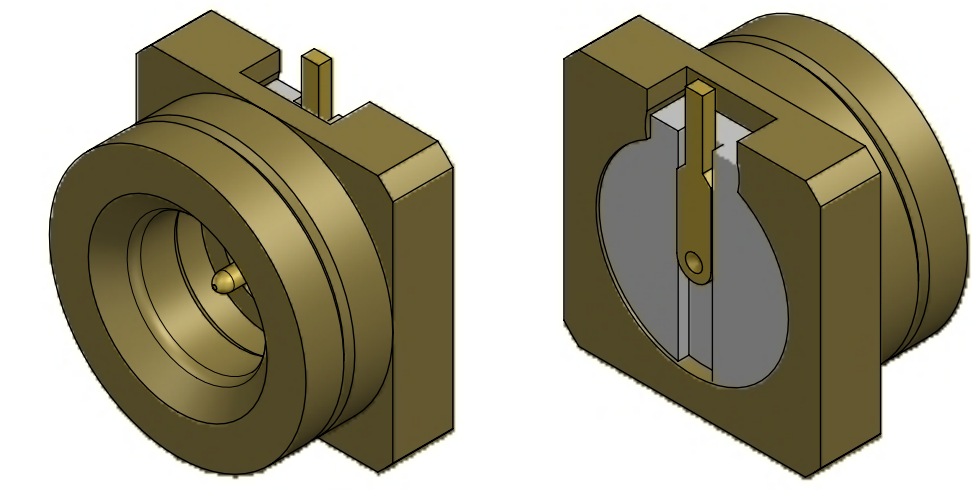


MATERIALS AND FINISHES:

BODY, CONTACT: BRASS  
 PLATED: GOLD (30μ-in MIN)  
 OVER NICKEL (100μ-in MIN)

INSULATOR: LCP



RECOMMENDED MOUNTING PATTERN

LABEL WITH EACH BAG  
 FOR 73415-4161

MOLEX P/N: 73415-4161  
 DATE: YYWW

73415-4161	ONE PER BAG	895420470
73415-4160	TRAY	895420040
PART NO.	PACKAGING	PACKING SPEC

PS-89675-3320	PRODUCT SPECIFICATION
MIL-STD-348, FIG. 326.2	INTERFACE SMP FD
SPECIFICATION	DESCRIPTION

FUNCTIONAL SYMBOLS	THIS DRAWING CONTAINS INFORMATION THAT IS PROPRIETARY TO MOLEX ELECTRONIC TECHNOLOGIES, LLC AND SHOULD NOT BE USED WITHOUT WRITTEN PERMISSION			
	DIMENSION UNITS	SCALE	CURRENT REV DESC: ADD 73415-4161 FOR SMALL PACK PER EWR15321-D	
FA = 0	IN/MM	NTS		
FC = 0	GENERAL TOLERANCES (UNLESS SPECIFIED)			
DIVISIONAL SYMBOLS		MM	INCH	
	4 PLACES	±	±	EC NO: 718352
	3 PLACES	±	± 0.01	DRWN: BSHAH 2020/05/15
	2 PLACES	± 0.13	± 0.005	CHK'D: YCHENG 2022/08/23
	1 PLACE	± 0.25	±	APPR: YCHENG 2022/08/23
	0 PLACES	±	±	INITIAL REVISION:
	ANGULAR TOL	± °		DRWN: TFLAHERTY 2003/02/07
	DRAFT WHERE APPLICABLE MUST REMAIN WITHIN DIMENSIONS	THIRD ANGLE PROJECTION	DRAWING	SERIES
			C-SIZE	73415
DOCUMENT STATUS	P1	RELEASE DATE	2022/08/23	12:44:05
DOCUMENT NUMBER		CUSTOMER	SHEET NUMBER	
SD-73415-416		SEE TABLE	1 OF 1	



SMP PLUG STR FULL DETENT  
 MOD INTRFACE 50 OHM SMP-P/SMT/PCB EWR-1934

PRODUCT CUSTOMER DRAWING

DOCUMENT NUMBER: SD-73415-416  
 DOC TYPE: PSD  
 DOC PART: 001  
 REVISION: A2