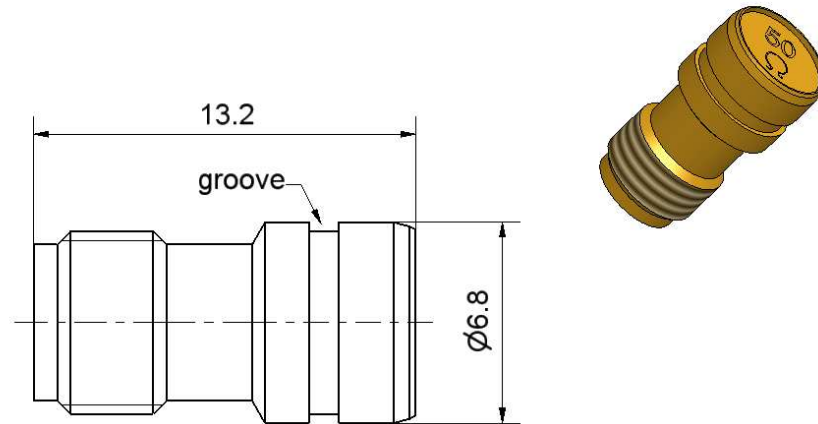


SMA

Termination  
Jack 1 Watt

**32K15R-001E3**



All dimensions are in mm; tolerances according to ISO 2768 m-H

**Interface**

According to

IEC 60169-15; EN 122110; MIL-STD-348

**Documents**

N/A

**Material and plating**

**Connector parts**

Center conductor  
Outer conductor  
Dielectric  
Substrate  
Insulator

**Material**

CuBe  
Brass  
PTFE  
Al<sub>2</sub>O<sub>3</sub>  
Silicone

**Plating**

Gold, min. 1.27 µm, over nickel  
Gold, min. 0.8 µm, over nickel

Dieses Dokument ist urheberrechtlich geschützt • This document is protected by copyright • Rosenberger Hochfrequenztechnik GmbH & Co. KG

RF\_35/09;14/6.2

**Technical Data Sheet****Rosenberger****SMA****Termination  
Jack 1 Watt****32K15R-001E3****Electrical data**

Impedance	50 $\Omega$
Frequency range	DC to 12.4 GHz
Return loss	$\geq 32.2$ dB, DC to 2 GHz $\geq 26.4$ dB, 2 GHz to 8 GHz $\geq 21.2$ dB, 8 GHz to 12.4 GHz
Power handling	1 W at 25 °C derated linearity to 0 Watts at 125°C

**Mechanical data**

Mating cycles	$\geq 100$
Maximum torque	1.70 Nm
Recommended torque	0.90 Nm

**Environmental data**

Temperature range	- 55 °C to +155 °C
RoHS	compliant

**Packing**

Standard	100 pcs in blister
Weight	1.7 g/pce

While the information has been carefully compiled to the best of our knowledge, nothing is intended as representation or warranty on our part and no statement herein shall be construed as recommendation to infringe existing patents. In the effort to improve our products, we reserve the right to make changes judged to be necessary.

Draft	Date	Approved	Date	Rev.	Engineering change number	Name	Date
Kerstin Herzog	03.11.04	Markus Müller	07.11.16	b00	15-1629	Marion Striegler	07.11.16
Rosenberger Hochfrequenztechnik GmbH & Co. KG P.O.Box 1260 D-84526 Tittmoning Germany www.rosenberger.de						Tel. : +49 8684 18-0 Email : info@rosenberger.de	
							Page 2 / 2