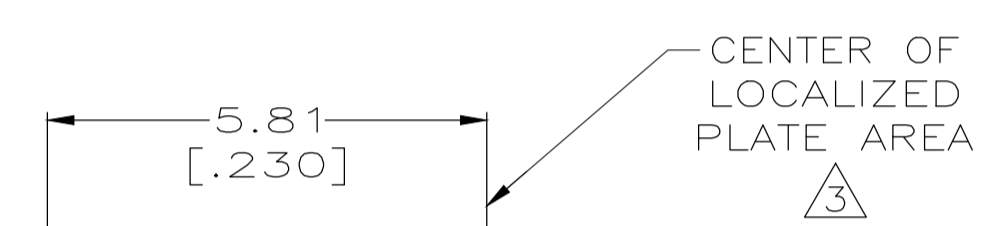
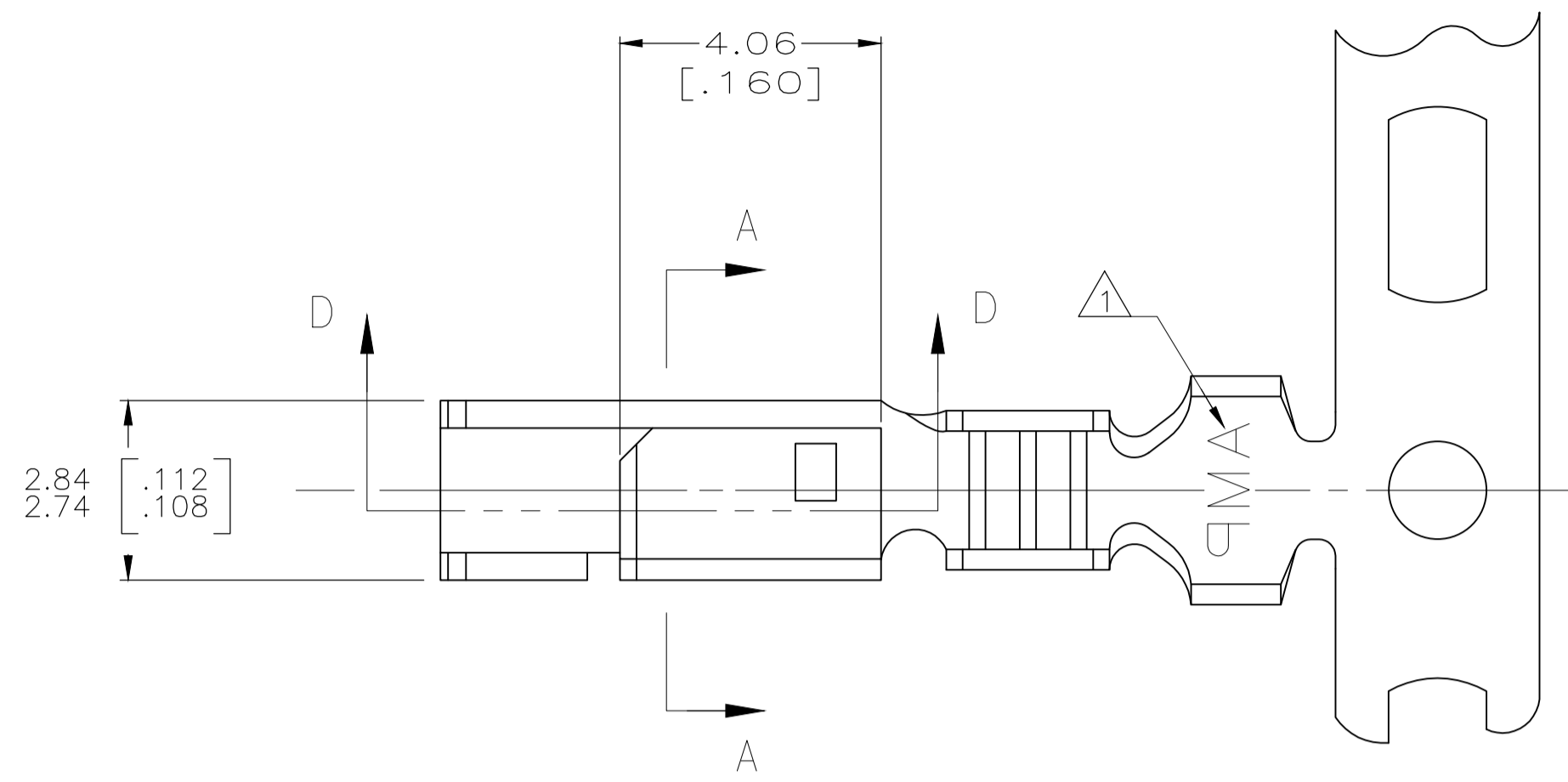
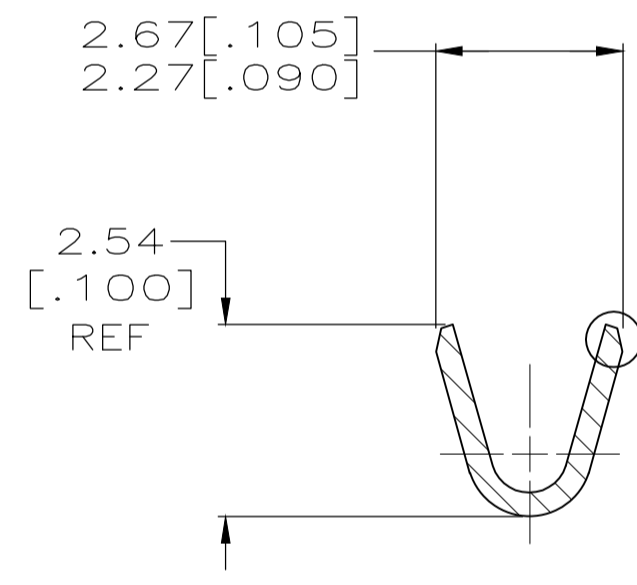
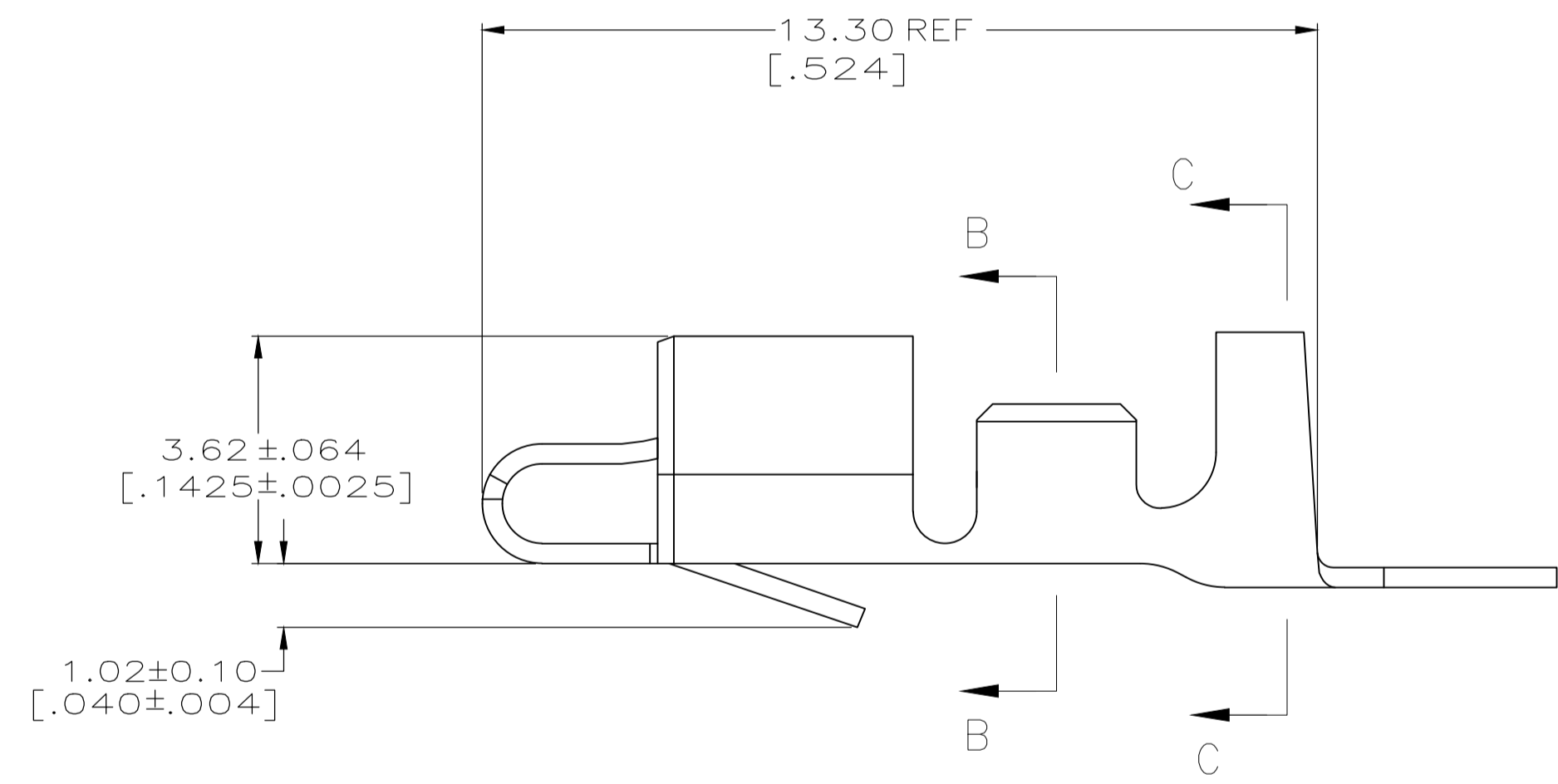


REVISIONS				
P	LTR	DESCRIPTION	DATE	BY
D		REVISED PER ECR-18-019874	19MAR2019	BDA SG

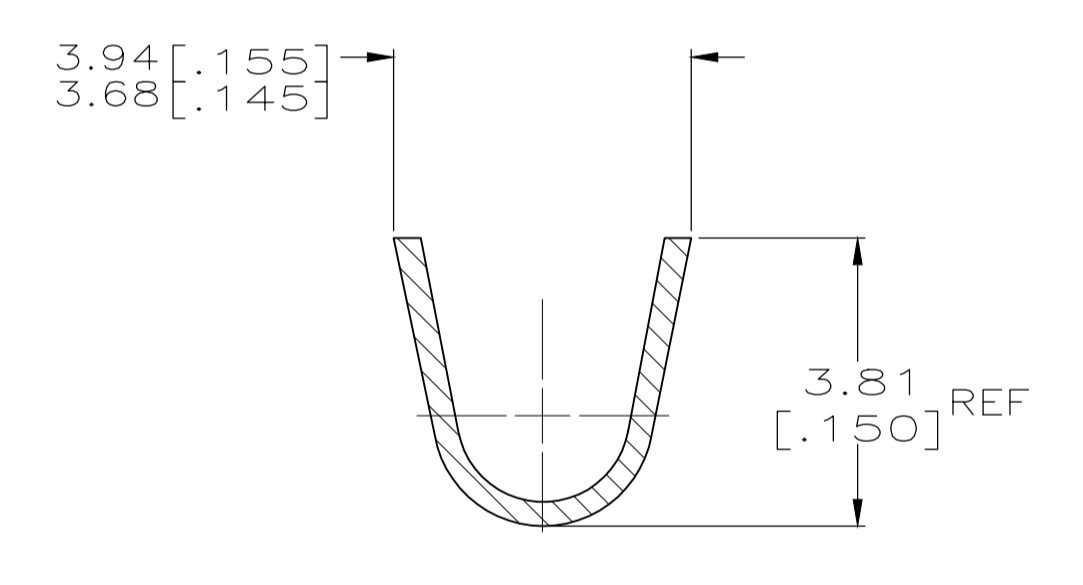
- INSULATION RANGE: 1.78-2.84 [.070-.112]
WIRE RANGE: 0.2-0.9 mm² (24-18) AWG.
- 0.00203 [.000080] MIN MATTE TIN-LEAD OVER
0.00127 [.000050] MIN NICKEL.
- 0.00076 [.000030] MIN THICK GOLD STRIPES IN
LOCALIZED PLATE AREA ON BEAM AND DIMPLE OVER
0.00127 [.000050] MIN THICK NICKEL OVER ENTIRE
CONTACT.
- DIMENSIONS IN BRACKETS ARE IN INCHES.
- FOR USE ONLY WITH LID STYLE HOUSING.
- 0.00203 [.000080] MIN MATTE TIN OVER
0.00127 [.000050] MIN NICKEL.
- OBSOLETE
- REELING OPPOSITE DIRECTION FOR
OCEAN APPLICATOR.



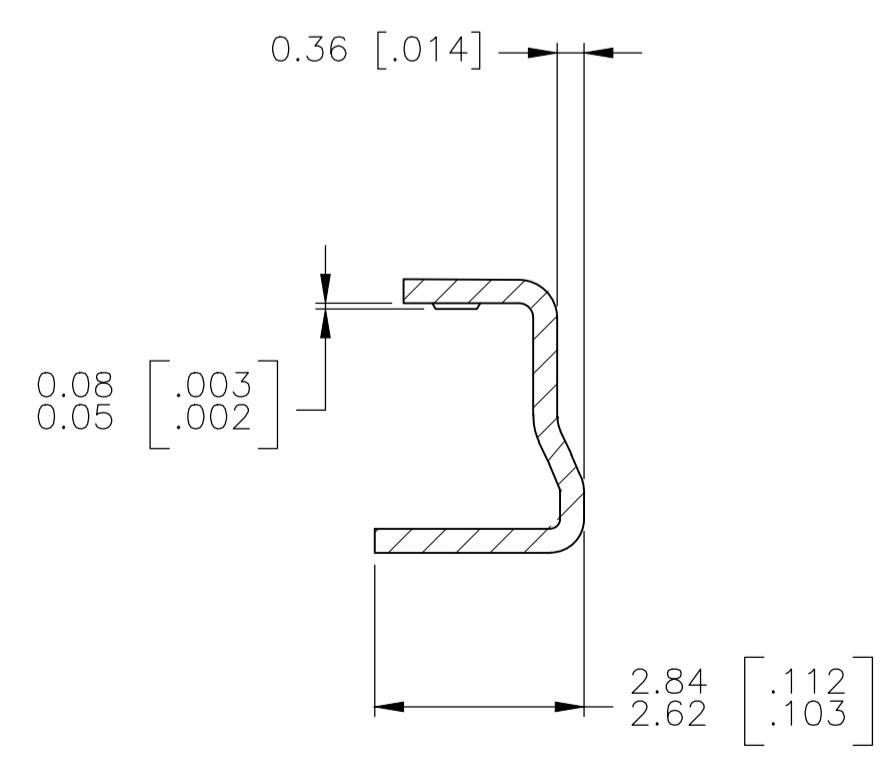
SECTION D-D



SECTION B-B



SECTION C-C



SECTION A-A
ROTATED 90° CCW

FINISH	MATERIAL	PART NUMBER
6	PHOS BRONZE	4-647406-1
6	PHOS BRONZE	3-647406-1
3	PHOS BRONZE	647406-2
2	PHOS BRONZE	647406-1
POST PLATE	PRE-PLATE	

THIS DRAWING IS A CONTROLLED DOCUMENT.

DIMENSIONS: mm [INCHES]	TOLERANCES UNLESS OTHERWISE SPECIFIED: 0. PLC ± - 1. PLC ± - 2. PLC ± 0.13 [.005] 3. PLC ± - 4. PLC ± - ANGLES ± -	FINISH -	DWG K. WHITAKER 15OCT2004	CHK J. ELLIS 15OCT2004	APVD J. ELLIS 15OCT2004	NAME SL-156 HOODED RECEPTACLE, LARGE DIA, INSULATION TYPE
MATERIAL SEE TABLE	FINISH -	WEIGHT -	SIZE A1	CAGE CODE 00779	DRAWING NO. 647406	RESTRICTED TO -
CUSTOMER DRAWING			SCALE 10:1	SHEET 1 OF 1	REV D	

STE TE Connectivity Ltd.