



WWW.BARRYIND.COM

AT0904ZZ-XXXXWN-91

ALUMINA

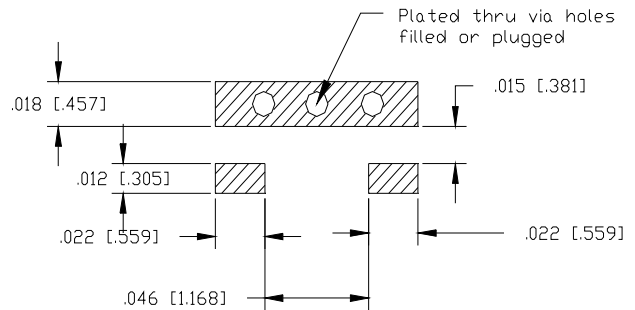
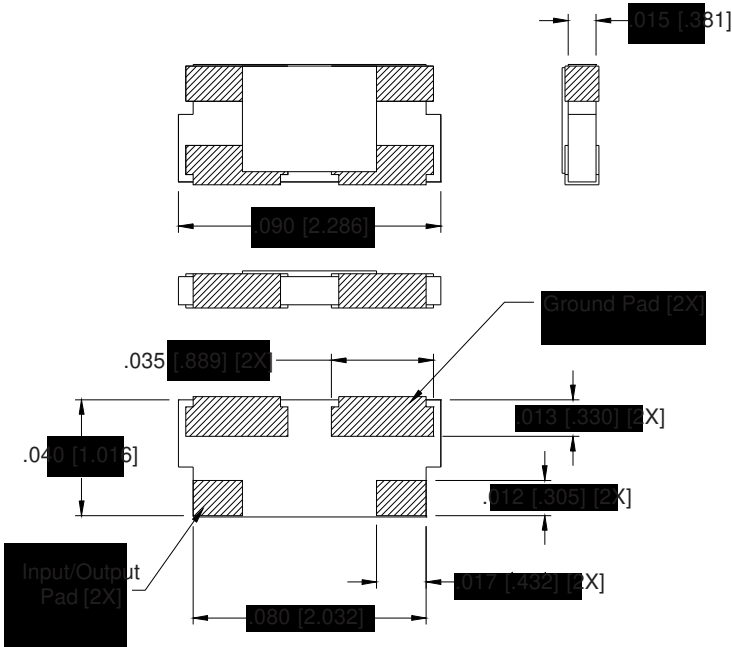
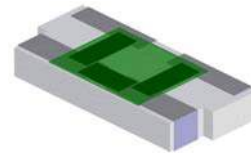
CHIP ATTENUATOR

Features:

- ◆ Alumina Material
- ◆ DC - 18 GHz Performance

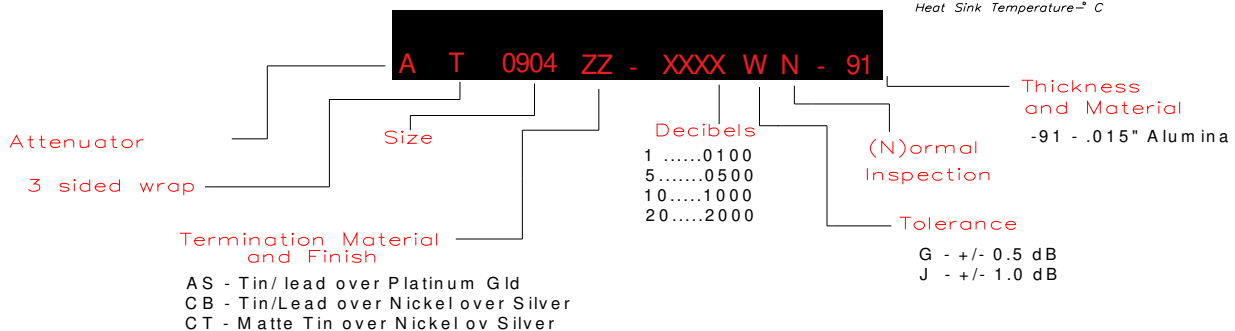
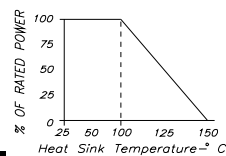
General Description:

The AT0904ZZ-XXXXWN-91 is a chip attenuator. It offers a frequency range from DC - 18 GHz with an input power of 0.1 watt, while maintaining a constant heat sink temperature of 100°C max. (See below for ordering options).



Recommended Land pattern

DERATING CURVE:



Barry Industries reserves the right to change part number and or process without notification.

Barry Industries, Inc., 60 Walton St., Attleboro, MA 02703 T: 508-226-3350 F: 508-226-3317 E-mail: sales@barryind.com
Barry Industries maintains an ISO 9001 Certified Quality Management System

Origination Date	Revision Date	Rev.
9/17/07	03/05/12	A