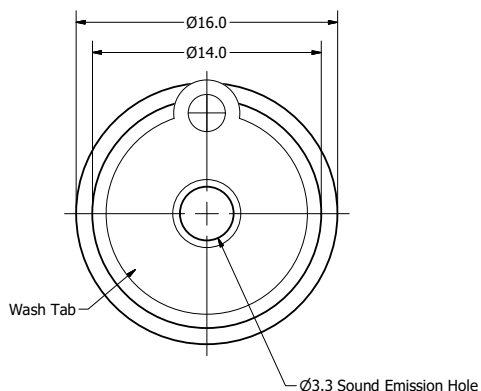
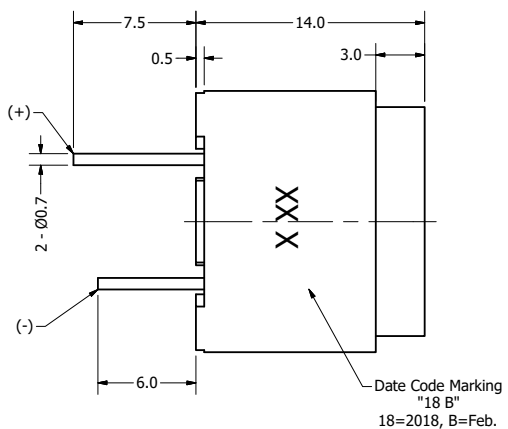


Part Number:	TE162006-1	
DRAWN	CJ	2/14/2018
CHECKED	P.D.	2/19/2018
Description:	Electro-Mechanical Transducer	
APPROVED	C.E.	2/19/2018
This document contains data proprietary to DB Unlimited. Any use or reproduction, in any form, without prior written permission of DB Unlimited is prohibited. All terms and conditions can be found at www.dbunlimitedco.com		

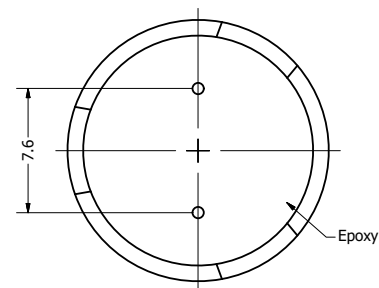
Top View



Side View



Bottom View



Items	Specifications	Conditions
Min. Sound Pressure Level	85	dB (@ 10cm)
Resonant Frequency	2,048	Hz
Rated Voltage	6	V
Voltage Range	3 ~ 8	V
Coil Resistance	50	Ω
Max. Rated Current	40	mA
Storage Temperature	-30 ~ +75	°C
Operating Temperature	-30 ~ +70	°C
Connection Method	PC Pins	
Mount Type	Thru Hole	
Housing Material	PPO	
Weight	4.6	g

REVISION HISTORY			
REV	DESCRIPTION	DATE	APPROVED
1	Update max current, temps, weight, sound emission hole diameter, pin length, housing material, new drawing template	2/19/2018	C.E.
	Released from Engineering	10/21/2013	J.S.

NOTES			
1) All dimensions are in mm unless otherwise noted			
2) All tolerances are ± 0.5 mm unless otherwise noted			
3) All parts meet RoHS			
4) Subject to change or redrawn without notice			