

1.0 SPECIFICATIONS:

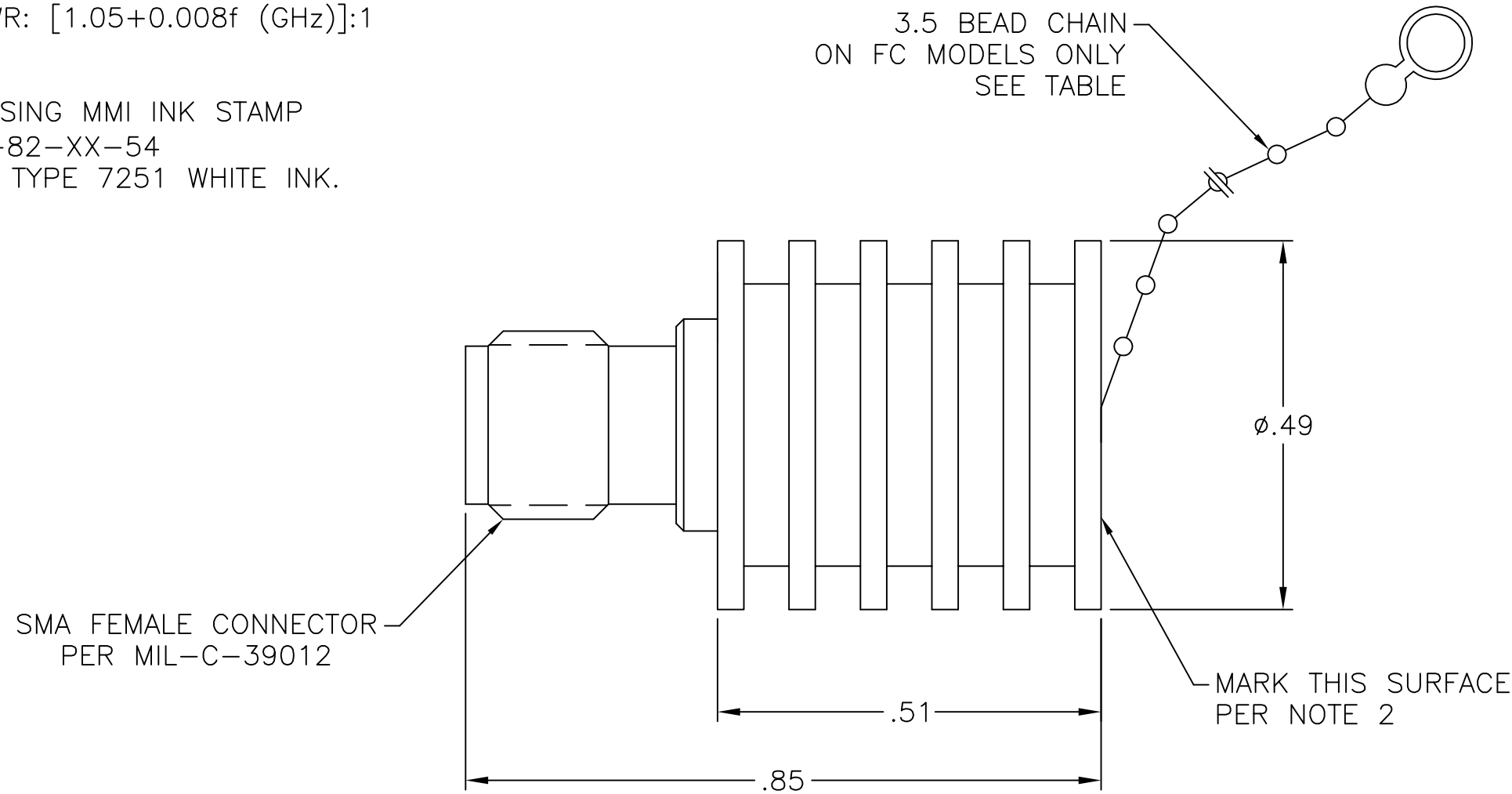
- 1.1 FREQUENCY RANGE: DC TO 18.0GHz
- 1.2 MAXIMUM INPUT POWER: 3.0 WATTS AVG. AT 25°C
DERATED LINEARLY TO 1.0 WATTS AT +125°C
- 1.3 OPERATING TEMPERATURE RANGE: -65°C TO +125°C
- 1.4 IMPEDANCE: 50 OHMS
- 1.5 MAXIMUM VSWR: $[1.05+0.008f \text{ (GHz)}]:1$

2.0 MARKING:

- 2.1 MARK UNIT USING MMI INK STAMP
P/N 02650-82-XX-54
- 2.2 USE MARKEM TYPE 7251 WHITE INK.

MODEL NUMBER -XX	CHAIN
TRM-2057-FC-SMA-07	YES
TRM-2075-FO-SMA-07	NO

MODEL NUMBER
TRM-2057-FX-SMA-07



REV.	DESCRIPTION	DATE
A	ECR 6545	8/1/89
B	ECR 6933	1/23/90
B1	CHANGE FO TO FX	12/11/90
B2	UPDATE MODEL#	5/17/91

NOTICE: The information contained in this drawing is proprietary and must not be used without the permission of Emerson Network Power.

UNLESS OTHERWISE NOTED DIMENSIONS ARE IN INCHES AND TOLERANCES ARE:
 3 PLACE DECIMALS ±.005
 2 PLACE DECIMALS ±.02
 FRACTIONS ±1/64
 PARALLELITY: T.I.R. _____
 FLATNESS: T.I.R. _____
 CONCENTRICITY: T.I.R. _____
 ANGLES AND PERPENDICULARITY: ±1'

CAGE CODE 34078		MIDWEST MICROWAVE	
		TITLE OUTLINE AND SPECIFICATIONS FOR SMA 2 WATT TERMINATION OUTLINE DRAWING	
		DRAWN/DATE AB 7/29/87	ENG./DATE R.Q. 7/29/87
CHECKED/DATE HORSFIELD 7/29/87		APPROVED/DATE	DRAWING NUMBER TRM-2057-FX-SMA-07-01
SCALE: 5:1		SHEET 1 of 1	
		REV.	B2