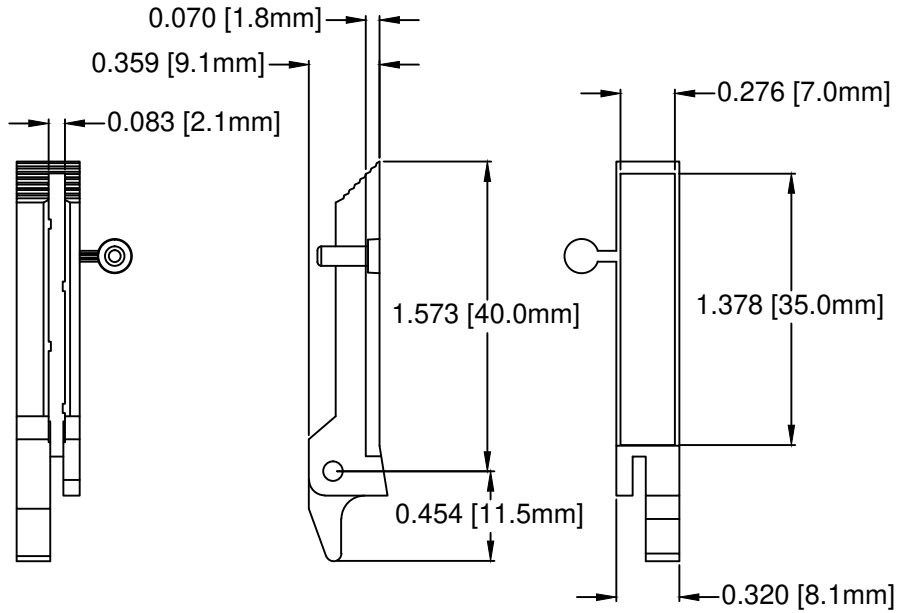
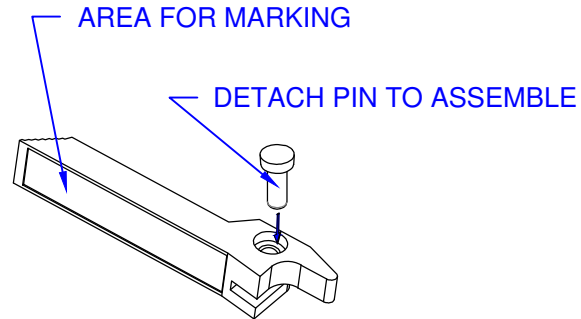


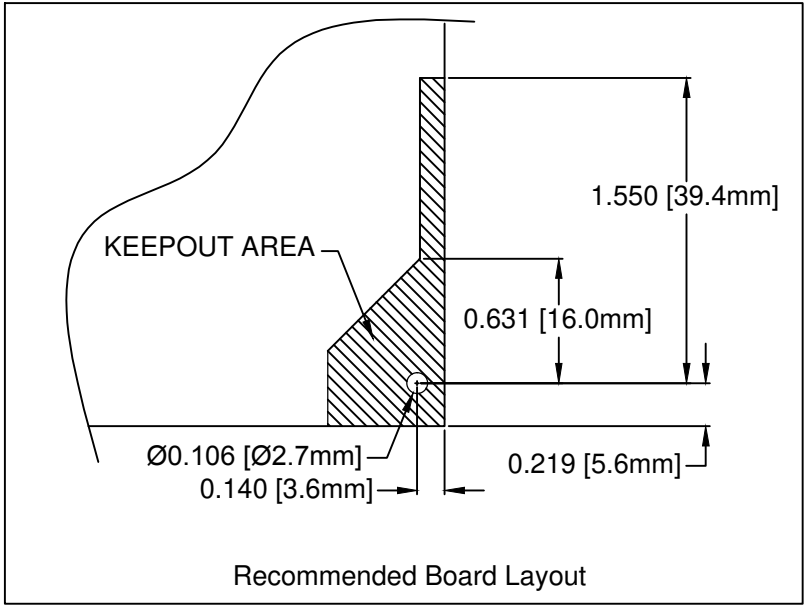
REV.	DESCRIPTION	DATE	APPROVED
A	Engineering Release.	07/25/14	J. C.



Card Ejector with Attached Pin



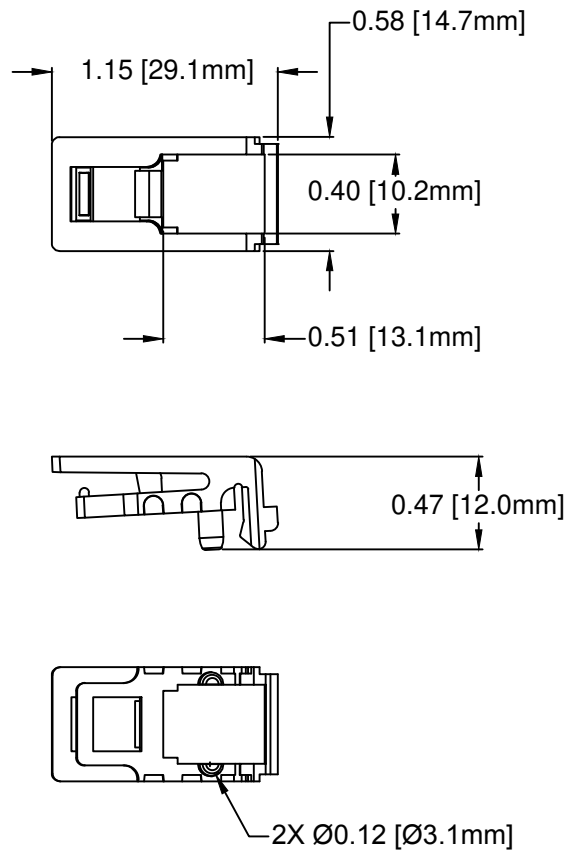
3D VIEW



Recommended Board Layout

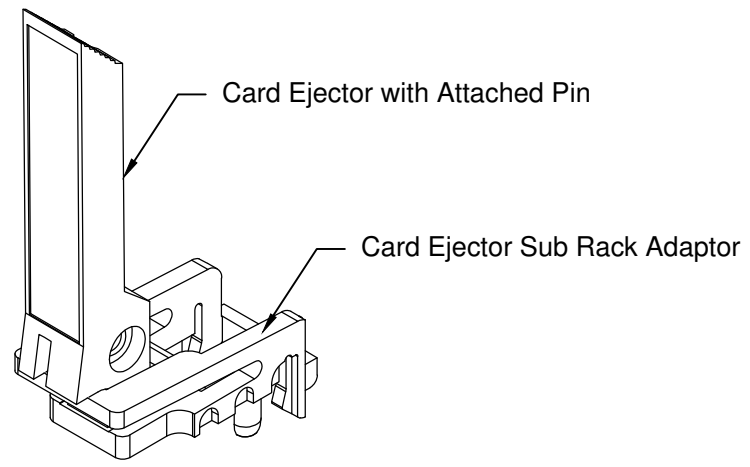
STANDARD TOLERANCE ( UNLESS OTHERWISE SPECIFIED )		 4 THOMAS, IRVINE, CA 92618 TEL: (949) 951-8808 FAX: (949) 951-3974			
DECIMALS	ANGULAR				
X ± .1	X° ± 1°	 <b>TITLE:</b> CARD EJECTOR WITH ATTACHED PIN, BOTTOM			
.XX ± .02					
.XXX ± .010		DESIGNED: <b>Brian Oliver</b>	DATE: <b>07/24/14</b>	PART NO: <b>CPCI-CP-B</b>	REVISION: <b>A</b>
		CHECKED: <b>A. Wright</b>	DATE: <b>07/24/14</b>	CAGE CODE : <b>32559</b>	SHEET # <b>1 OF 2</b>
CAD GENERATED DOCUMENT, DO NOT MEASURE DRAWING.					

REV.	DESCRIPTION	DATE	APPROVED
A	Engineering Release.	07/25/14	J. C.


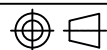


Card Ejector Sub Rack Adaptor

FOR USE WITH VME CARD GUIDES:  
 CPCI-160  
 CPCI-220  
 CPCI-VXXX



Card Ejector Sub Rack Adaptor and Card Ejector with Attached Pin Packaged Together

STANDARD TOLERANCE ( UNLESS OTHERWISE SPECIFIED )		 4 THOMAS, IRVINE, CA 92618 TEL: (949) 951-8808 FAX: (949) 951-3974			
DECIMALS	ANGULAR				
X ± .1	X° ± 1°		TITLE: CARD EJECTOR WITH ATTACHED PIN, BOTTOM		
.XX ± .02			DESIGNED: Brian Oliver	DATE: 07/24/14	PART NO: CPCI-CP-B
.XXX ± .010		CHECKED: A. Wright	DATE: 07/24/14	CAGE CODE : 32559	SHEET # 2 OF 2
CAD GENERATED DOCUMENT, DO NOT MEASURE DRAWING.					