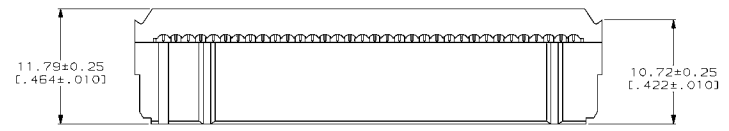
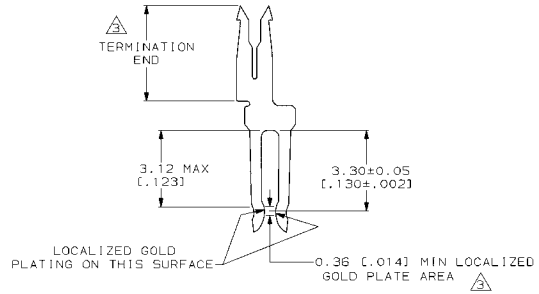


REV	DATE	DESCRIPTION	DATE	APPRO
0	1-24-94	RLSE PER NPR 5042		
A	14 JAN 97	OBSELETE -8		JGH
		PER EC 0020-561-96		
B	06 MAR 97	REACTIVATE -8 PER EC 0410-100-97		JGH

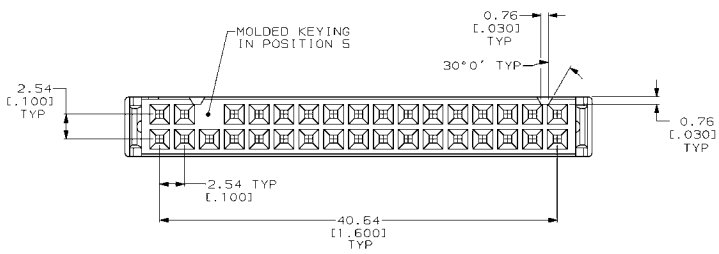
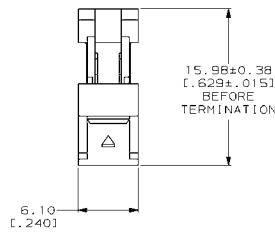
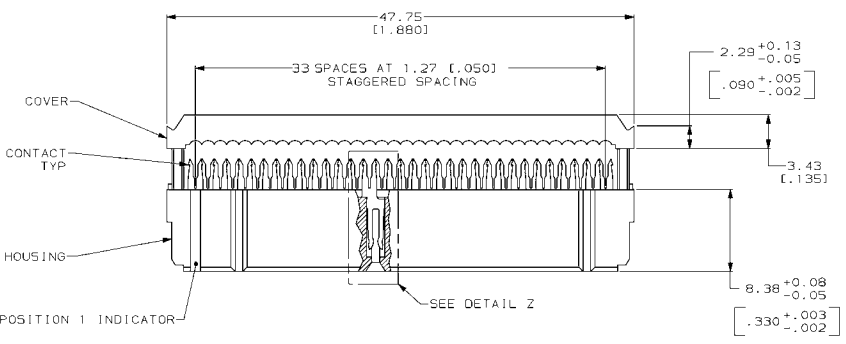
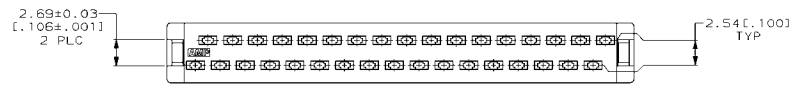
- △ POLYESTER, BLACK, UL RATED 94V-0.
- △ PHOSPHOR BRONZE PER QQ-B-750.
- △ 0.38µm (.000015) MIN GOLD ON LOCALIZED GOLD PLATE AREA.
- △ 2.54µm (.000100) MIN TIN-LEAD ON TERMINATION END, ALL OVER 1.27µm (.000050) MIN NICKEL ON ENTIRE CONTACT.



TERMINATED VIEW



DETAIL Z
 SCALE 10:1
 TYPICAL



34	111B30-8
NO OF POSN	PART NUMBER
PART NO	

DO NOT SCALE PRINT. UNLESS SPECIFIED DIMENSIONS IN mm (INCHES) TOLERANCES ON:		AMP Incorporated Harrisburg, PA 17105-3608	
2 PLC DEC ± 0.13 (.005)		NAME	
3 PLC DEC ±		RECEPTACLE, FULL COVER, MILITARY POLARIZATION, NOVO, AMP-LATCH™	
ANGLES ± 0°30'		DRAWING NO	
MATERIAL		00779	
MOLDED PARTS: △		SCALE 4:1	
CONTACTS: △		SHEET 1 OF 1	
FINISH		CUSTOMER DRAWING	
CONTACTS: △			

THIS DRAWING IS A CONTROLLED DOCUMENT FOR AMP INCORPORATED. IT IS SUBJECT TO CHANGE AND THE CONTROLLING ENGINEERING ORGANIZATION SHOULD BE CONTACTED FOR THE LATEST REVISION.