

FEATURES

- Single Band Frequency
- Customizable cable length and cable type
- Flexible PCB Type
- RoHS compliant



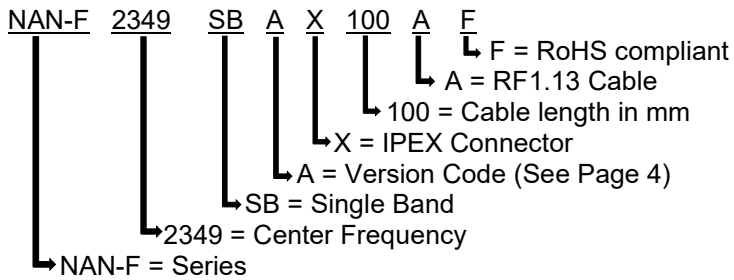
RoHS Compliant
 includes all homogeneous materials
 (see part numbering system for details)

APPLICATIONS

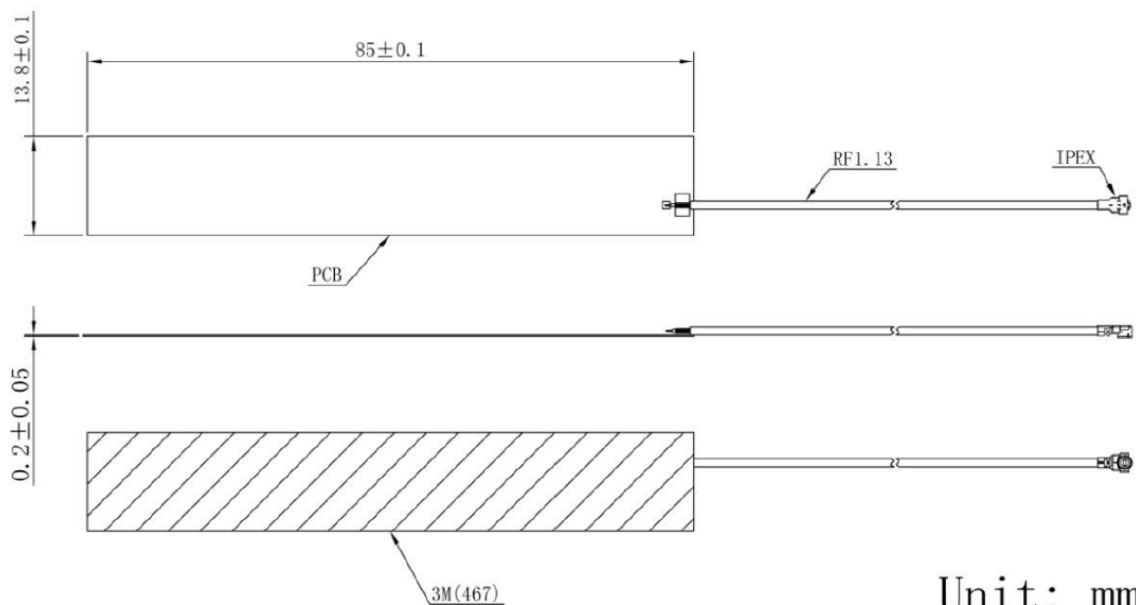
- Gateways
- Routers
- Meters
- Commercial/Handheld Electronics

SPECIFICATIONS

PN: NAN-F2349SBAX100AF	
Electrical	
Frequency Range	698~4000MHz
Gain	1.2dBi @ 698Mhz 5.2dBi @ 1710Mhz 2.7dBi @ 3300Mhz
V.S.W.R	< 3.0
Polarization	Linear
Impedance	50Ω
Environmental	
Operating Temperature	-40°C~+85°C
Vibration	10 to 55Hz with 1.5mm amplitude 2hours
RoHS Compliant	Yes



Dimensions (mm):	
Body Length	85 ± 0.1
Width	13.8 ± 0.1
Thickness	0.2 ± 0.05
Cable Length	100
Cable Type	RF1.13
Connector Type	IPEX
Mounting Method	Adhesive & Embedded



Radiation Patterns

XY PLANE

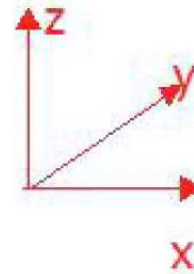
XZ PLANE

YZ PLANE

- 1710MHz —
- 1850MHz —
- 1990MHz —
- 2170MHz —
- 2300MHz —
- 2400MHz —
- 2500MHz —
- 2690MHz —
- 3300MHz —
- 3500MHz —
- 3600MHz —
- 3800MHz —
- 698MHz —
- 824MHz —
- 868MHz —
- 960MHz —

- 1710MHz —
- 1850MHz —
- 1990MHz —
- 2170MHz —
- 2300MHz —
- 2400MHz —
- 2500MHz —
- 2690MHz —
- 3300MHz —
- 3500MHz —
- 3600MHz —
- 3800MHz —
- 698MHz —
- 824MHz —
- 868MHz —
- 960MHz —

- 1710MHz —
- 1850MHz —
- 1990MHz —
- 2170MHz —
- 2300MHz —
- 2400MHz —
- 2500MHz —
- 2690MHz —
- 3300MHz —
- 3500MHz —
- 3600MHz —
- 3800MHz —
- 698MHz —
- 824MHz —
- 868MHz —
- 960MHz —



Version History and Status

Version	Date Issued	Details	Status
A	Nov 4 th , 2020	Initial Release	Supported

Please reach out to NIC for any customization requests and other inquiries:

- NIC Technical Support: tpmg@niccomp.com
- Compliance Support: rohs@niccomp.com