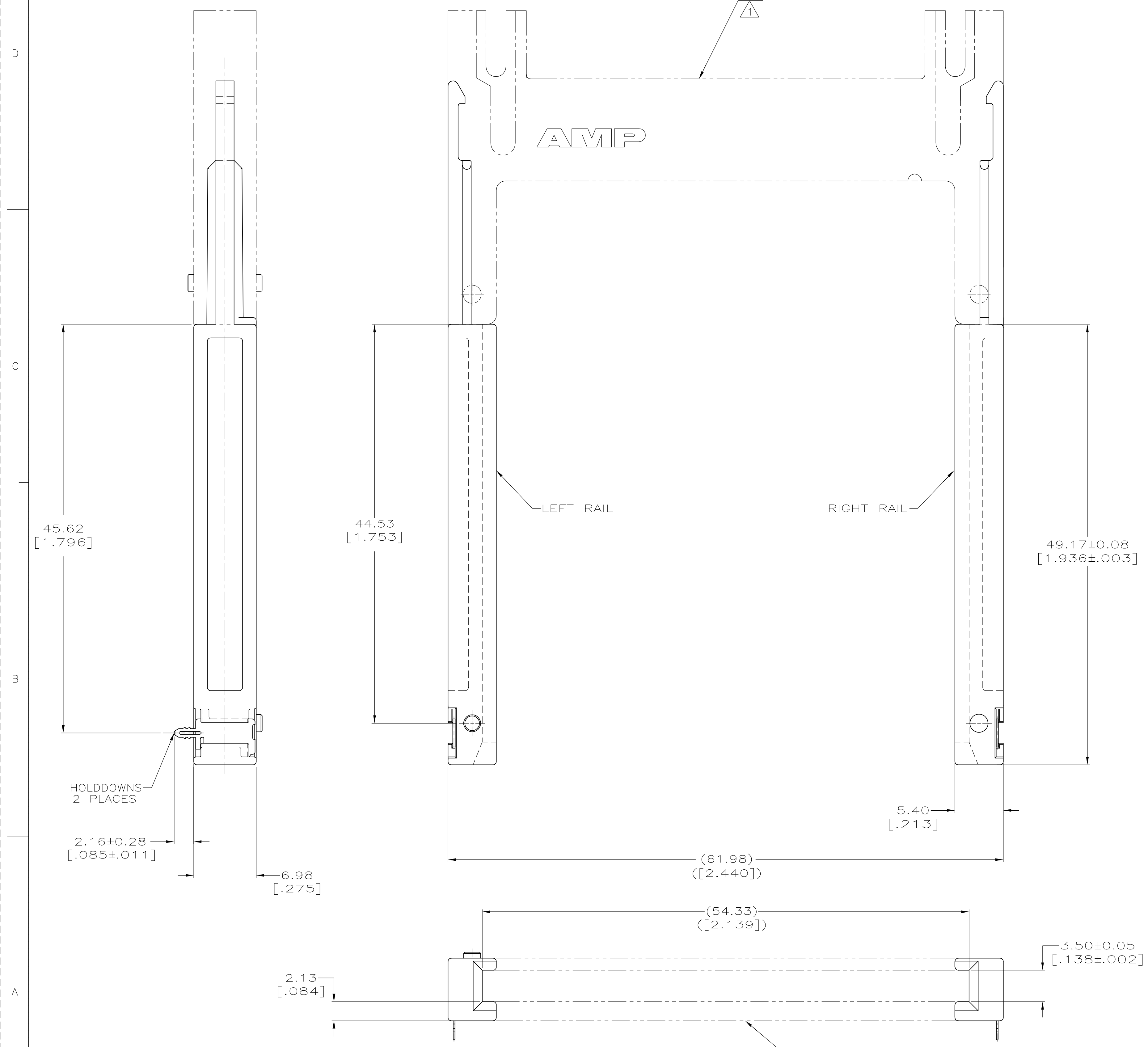
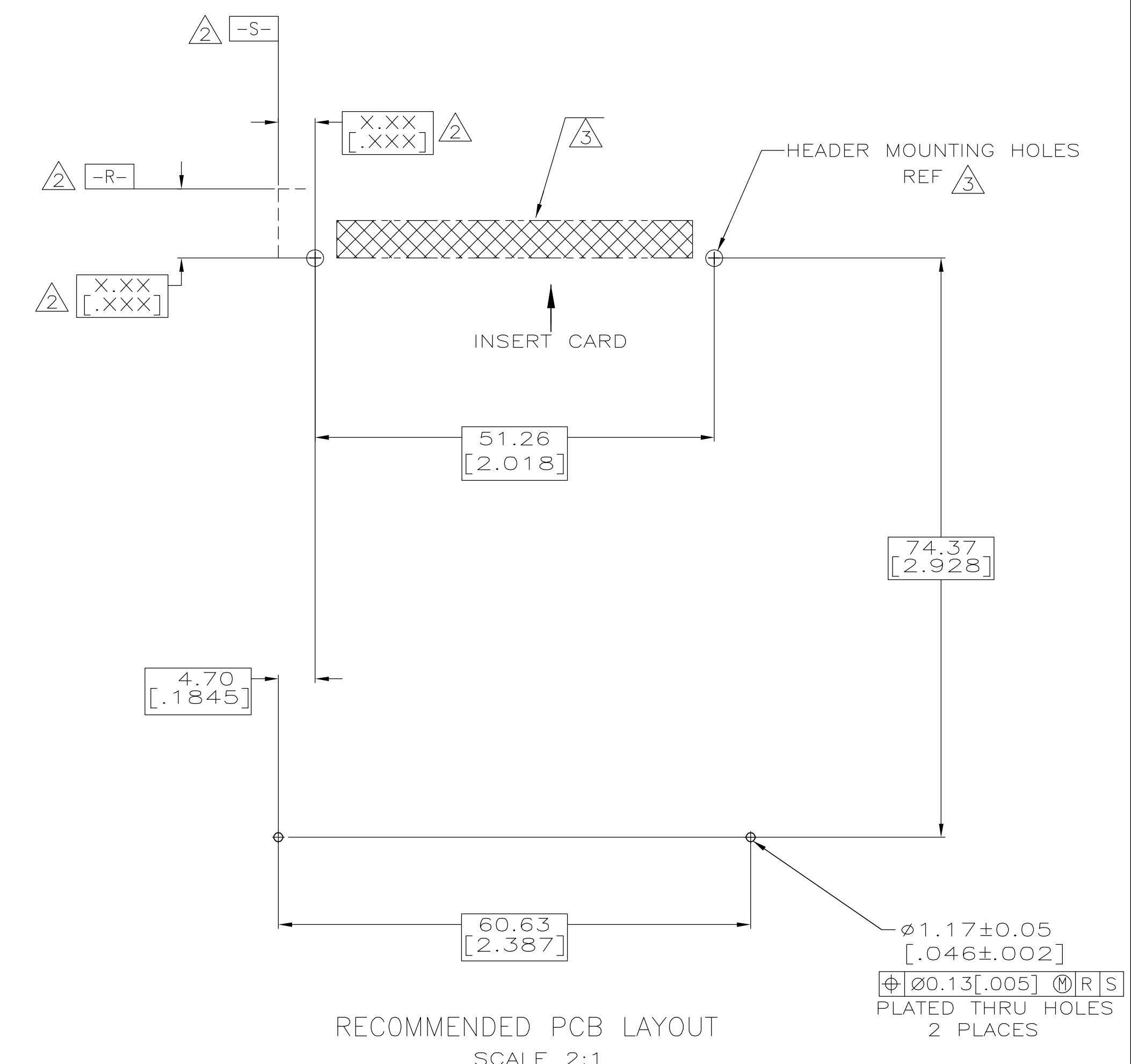


LOC		DIST		REVISIONS			
P	LR	DESCRIPTION	DATE	DWN	APVD		
0		REL PER EC 0513-0031-05	03-30-05	LV	JG		



- ① SMT OR THRU-HOLE HEADER ASSY NOT SUPPLIED AND MUST BE ORDERED SEPERATELY. CONTACT AMP INCORPORATED FOR HEADER PART NUMBER
- ② DATUMS AND BASIC DIMENSIONS ESTABLISHED BY CUSTOMER
- ③ FOR HEADER PC BOARD LAYOUT SEE APPROPRIATE HEADER ASSEMBLY
- ④ MATERIAL:
RAIL: LCP - COLOR: BLACK
HOLD DOWNS: PHOSPHOR BRONZE



DESCRIPTION	PART NO
RIGHT GUIDE RAIL WITH HOLDDOWN	5535664-2
LEFT GUIDE RAIL WITH HOLDDOWN	5535664-1

THIS DRAWING IS A CONTROLLED DOCUMENT.		DWN L VARELA - DOCKS 03-30-05		Tyco Electronics Corporation	
DIMENSIONS: mm [INCHES]		CHK D.L. GORENC 03-30-05		Harrisburg, PA 17105-3608	
TOLERANCES UNLESS OTHERWISE SPECIFIED:		APVD M. WALMSLEY 03-30-05		NAME	
0 PLC ± -	1 PLC ± -	PRODUCT SPEC		GUIDE RAILS, EXTENDED, WITH THRU-HOLE HOLDDOWNS, AMP MEMORY CARD	
2 PLC ± 0.13 [.005]	3 PLC ± -	APPLICATION SPEC		SIZE CAE CODE DRAWING NO	
4 PLC ± -	ANGLES ± -	FINISH HOLD DOWNS: TIN		RESTRICTED TO	
MATERIAL ④		WEIGHT 2.1 GRAMS		A1 00779 C=5535664	
CUSTOMER DRAWING		SCALE 4:1		SHEET 1 OF 1 REV 0	

**COPYRIGHT 2005
 TYCO ELECTRONICS CORP
 ALL RIGHTS RESERVED**