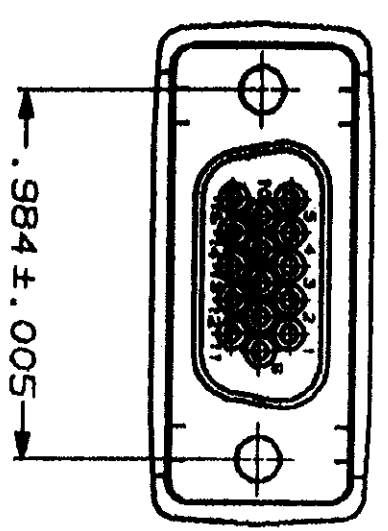
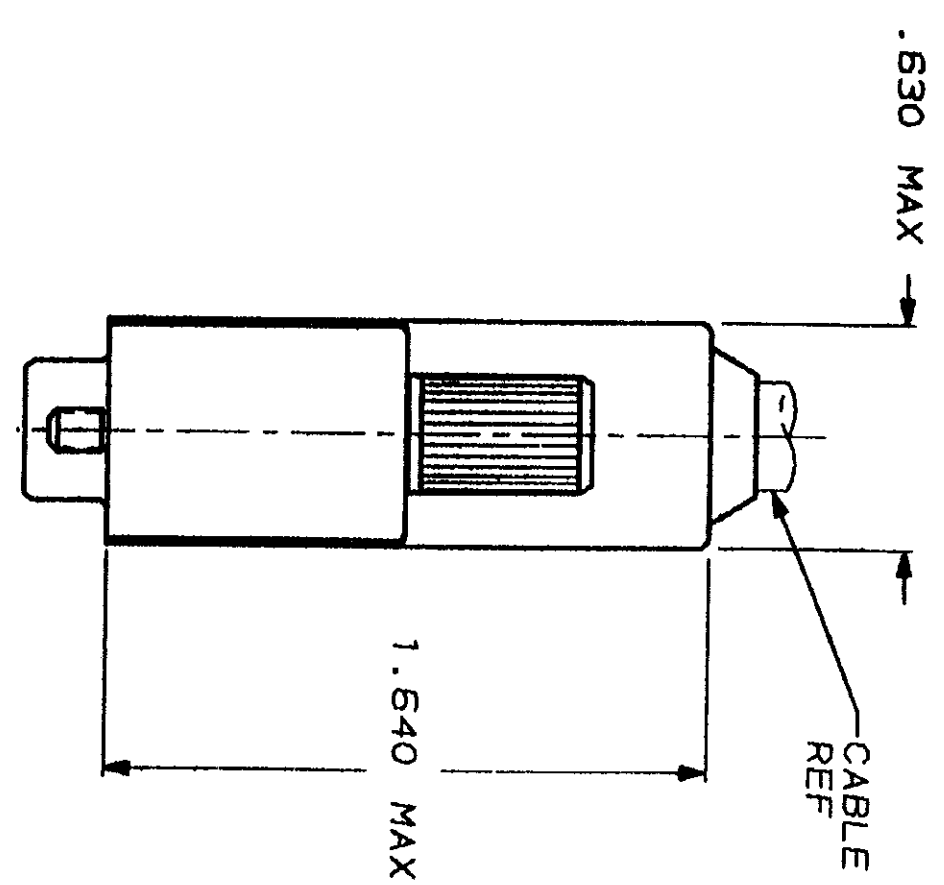
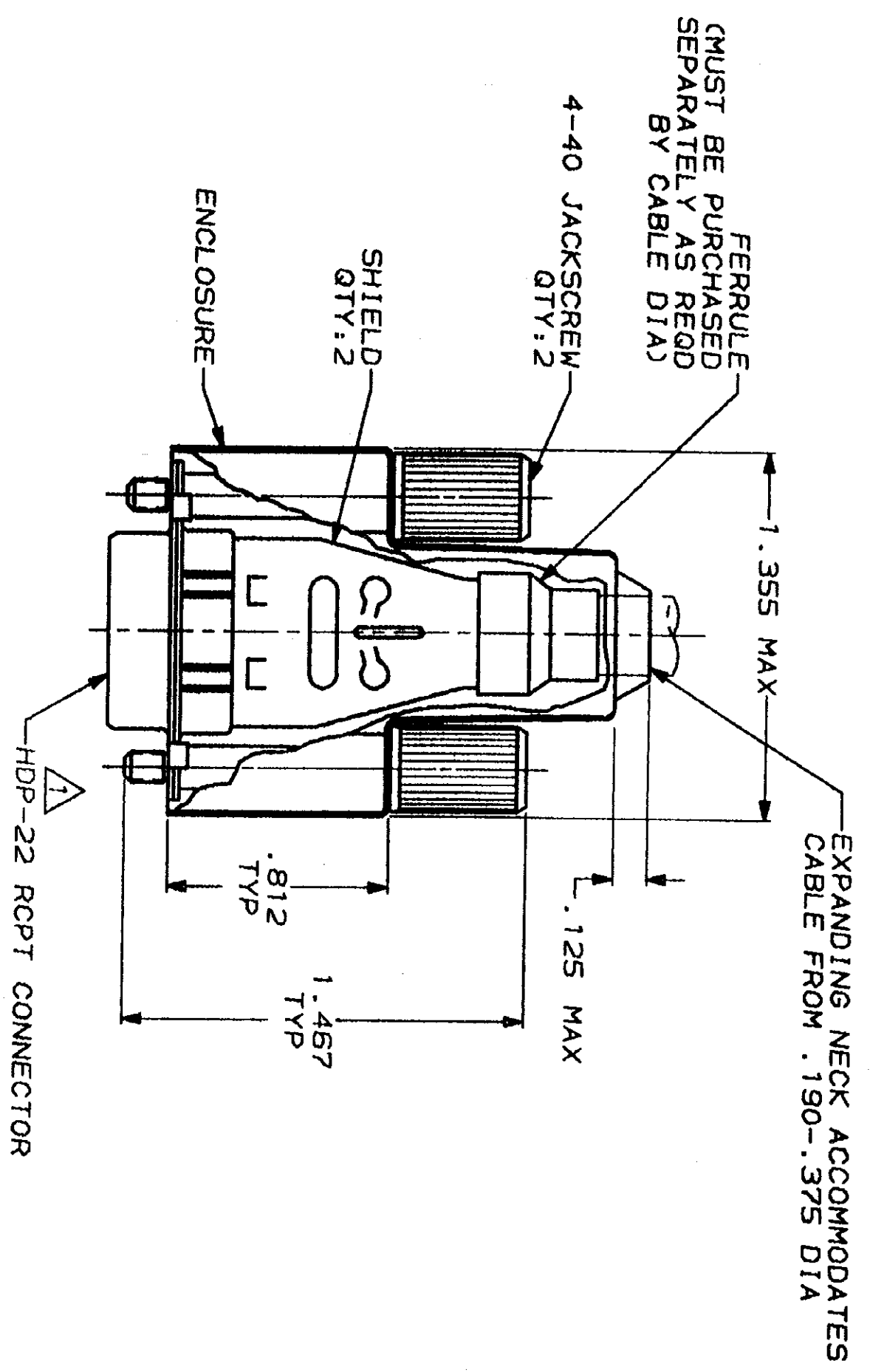


MOD	2	DATE	04/03/82	APPRO	TMS
DESIGN	BD 39	DATE	04/03/82	APPRO	TMS
REVISIONS					
NO.	DESCRIPTION	DATE	APPRO		
1	REDESIGNED AND REV ECN B05049	7-3-81	TMS		
2	REVISED PER ECN B06133	04/03/82	TMS		



1. RECEPTACLE ACCEPTS SIZE 22 DF PIN CONTACTS. CONTACTS MUST BE PURCHASED SEPARATELY.
2. ALL PARTS SHIPPED UNASSEMBLED.
3. FLAME RETARDANT 94V-0 RATED, STYRENE POLYOLEFIN OR PVC, BLACK.
4. FLAME RETARDANT 94V-0 RATED GLASS FILLED, NYLON OR POLYESTER, BLACK.
5. STEEL PER ASTM A109.
6. TIN PLATING PER MIL-T-10727.
7. ZINC PLATING PER ASTM B633, TYPE II, CLASS SCl, BLACK CHROMATE.
8. COMPONENTS INDIVIDUALLY BULK PACKED.

DO NOT SCALE PRINT. UNLESS SPECIFIED DIMENSIONS IN INCHES TOLERANCES ON: 1. P/LC DEC ± .002 2. P/LC DEC ± .002 3. P/LC DEC ± .002 ANGLES ±	DR 7-3-81 R. SHIREY CHK 8-2-81 R. STONE APPD 8-5-81 T.M. SPANGLER APPD 8-7-81 J. ASSINI PRODUCT SPEC	NAME SHIELDING ENCLOSURE KIT, RCPT, SIZE 1, 15 POSN, HDP-22, AMPLIMITE™
FINISH SHELLS & SHIELDS, JACKSCREWS, ZINC ALLOY	APPLICATION SPEC	SIZE FSCM NO 00779
ENCLOSURE, ZINC ALLOY	WEIGHT	DRAWING NO 748639
		SCALE 2:1

AMP INCORPORATED Harrisburg, Pa. 17105	PART NUMBER 748639-1
PACKAGING	