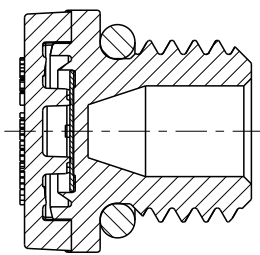
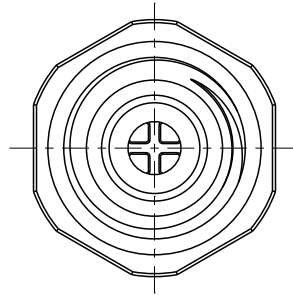
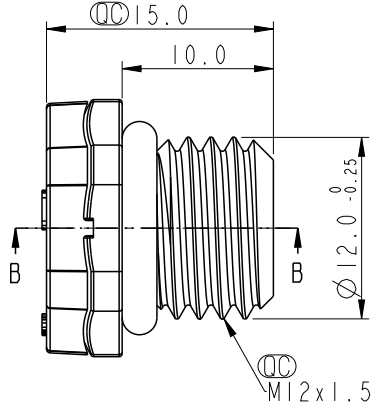
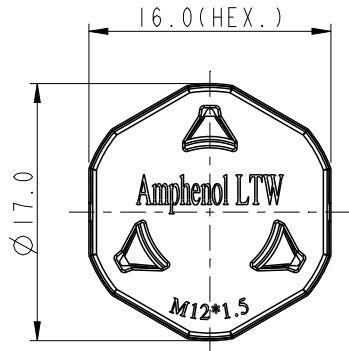
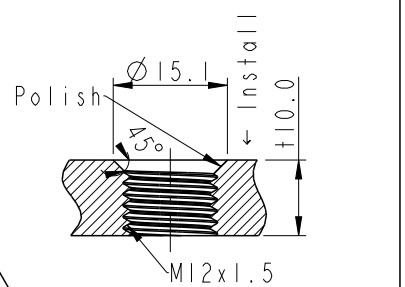
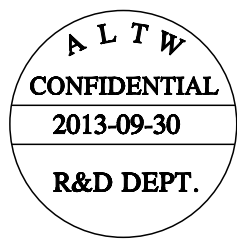


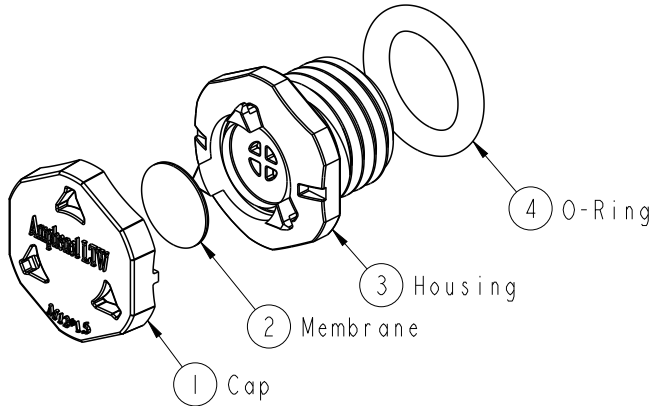
REV.	ECN NO.	DATE	SIGN	DESCRIPTION
B	LE313A0423	2013-09-30	Kelly	Change Note
C	LEN1430213	2014-03-12	Kelly	Add Recommended Panel Cut-Out



截面 B-B



Recommended Panel Cut-Out



- Note:**
- * \varnothing Important Dimension.
 - * Waterproof Rate: IP68, IP69K
 - * Cap: M-PPE, UV Resistance, Black
 - * Membrane: PTFE
 - * Conn. Housing: M-PPE, UV Resistance, Black
 - * O-Ring: Silicone, UL94-V0, Dark Gray.
 - * Nut Torque Force: 8.0~9.0 Kgf/cm
 - * Air Permeability: >260ml/min @70mbar
 - * Water Entry Pressure: >60KPa

UNIT:mm

TOLERANCE	
.X	±0.25
.XX	±0.1
.XXX	±0.05
ANGLES	±1°

TITLE M12*1.5 Vent			
SCALE	2:1	SIZE	A4
REV.	C	WC-REV.	B.2
		\varnothing : Inspection item	

Amphenol LTW
安費諾亮泰企業股份有限公司

ITEM NO.	VENT-BJ001	DRAWN BY	Kelly-gaotong	DATE	2013-09-30
DWG NO.	VENT-BJ001	CHECKED BY	Tony	DATE	2013-09-30
CUSTOMER	ALTW	APPROVED BY	Victor	DATE	2013-09-30

THIS DOCUMENT IS SUBJECT TO CHANGE WITHOUT NOTICE. IT IS CONFIDENTIAL AND A PROPERTY OF Amphenol LTW. DISCLOSURE TO THIRD PARTY HAS TO BE AUTHORIZED BY Amphenol LTW.