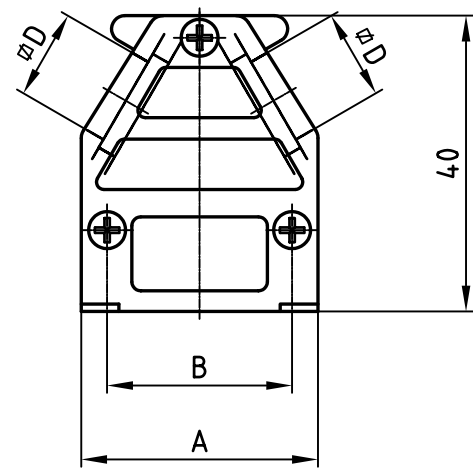
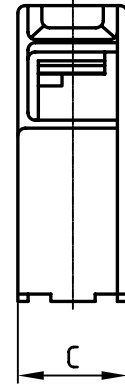


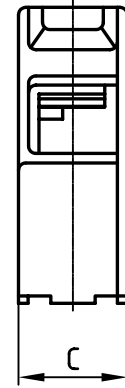
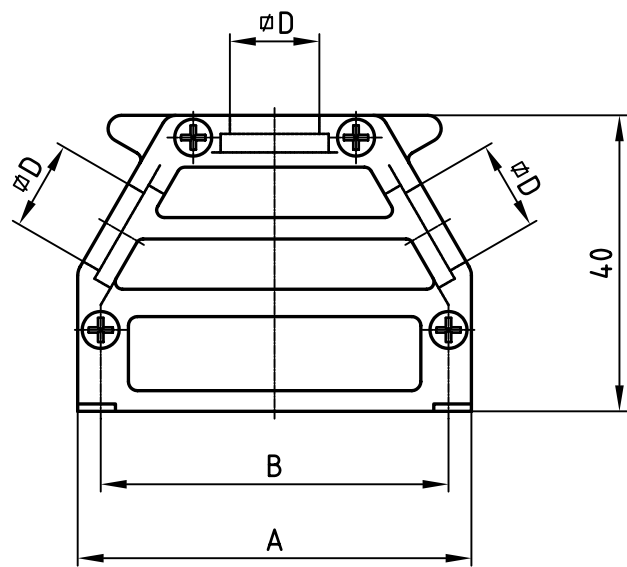
used for: D-SUB



(b)



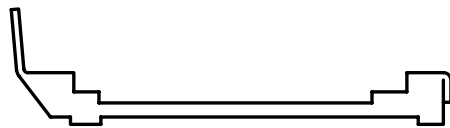
9pos.



15pos. - 50pos.

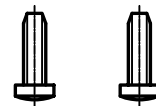


spring



slide lock

(b)



screws

(b)

(c)

No. of pos.	A	B	C	∅D	Blind Plug included	Part-No. Bulk package	Part-No. Single package
9 (b)	32.0	25.0	14.8	12.1	1	165X11659X	165X11659XE
15	39.3	33.3	14.8	12.1	2	165X11669X	165X11669XE
25	53.2	47.0	14.8	12.1	2	165X11679X	165X11679XE
37	69.5	63.5	14.8	12.1	2	165X11689X	165X11689XE
50	67.0	61.1	17.8	14.6	2	165X11699X	165X11699XE

APPROVAL # FREIGABE # DEBLOCAGE # AUTORIZACION # APPROVAL

CUSTOMER APPROVAL DATE:

NAME: TITLE:

COMPANY NAME:

APPROVAL # FREIGABE # DEBLOCAGE # AUTORIZACION # APPROVAL

THIS DRAWING MAY NOT BE COPIED OR REPRODUCED IN ANY WAY, AND MAY NOT BE PASSED ON TO A THIRD PARTY WITHOUT WRITTEN PERMISSION. OWNERSHIP AND COPYRIGHT OF CONEC GmbH DO NOT ALTER CAD DRAWING BY HAND

1 x c	Ä 3720	18.08.10	Lehm.	d-old
4 x b	Ä 2240	24.05.05	HS	
a	Origin			
rev.	description	date	name	

tolerance		dim. in mm	
2002	date	name	
drawn	25.06.	Schmidt	
appd.	25.06.	E. Mickenbecker	
norm			

scale: 1:1

material: Hood: die-cast zinc

title: METAL HOOD  
EMI/RFI SHIELDING 9 - 50 pos.  
with slide lock

dwg no: AutoCAD 2000 DIN-A  
16K1A688 3  
sh:1/1

part no: SEE TABLE

6

5

4

2

1