

1-1658527-2 ✓ ACTIVE

AMP-LATCH

TE Internal #: 1-1658527-2

Ribbon Cable Connectors, Wire-to-Board, 40 Position, 2.54 mm [.1 in] Centerline, 2 Row, Receptacle, Polarization Mating Alignment Type, Wire & Cable

[View on TE.com >](#)



[Connectors](#) > [PCB Connectors](#) > [Wire-to-Board Connectors](#) > [FFC, FPC & Ribbon Connectors](#) > [Ribbon Cable Connectors](#)



Connector System: **Wire-to-Board**

Number of Positions: **40**

Centerline (Pitch): **2.54 mm [.1 in]**

Row-to-Row Spacing: **2.54 mm [.1 in]**

Number of Rows: **2**

Features

Product Type Features

Connector Product Type	Connector Assembly
Connector System	Wire-to-Board
Connector & Housing Type	Receptacle
Connector & Contact Terminates To	Wire & Cable

Configuration Features

Number of Positions	40
Number of Rows	2

Body Features

Primary Product Color	Blue
-----------------------	------

Contact Features

Mating Square Post Dimension	.64 mm[.025 in]
Wire Contact Termination Area Plating Thickness	.127 μ m[5 μ in]
Wire Contact Termination Area Plating Material	Gold Flash
	30 μ in
Contact Mating Area Plating Material	Gold
Contact Current Rating (Max)	1 A

Termination Features

Termination Method to Wire & Cable	Insulation Displacement (IDC)
------------------------------------	-------------------------------



Mechanical Attachment

Mating Alignment Type	Polarization
Mating Retention	Without
Connector Mounting Type	Cable Mount (Free-Hanging)

Housing Features

Centerline (Pitch)	2.54 mm [.1 in]
--------------------	-----------------

Dimensions

Row-to-Row Spacing	2.54 mm [.1 in]
--------------------	-----------------

Usage Conditions

Operating Temperature Range	-55 – 125 °C [-67 – 257 °F]
-----------------------------	-----------------------------

Operation/Application

Circuit Application	Signal
---------------------	--------

Product Compliance

[For compliance documentation, visit the product page on TE.com>](#)

EU RoHS Directive 2011/65/EU	Compliant
EU ELV Directive 2000/53/EC	Compliant
China RoHS 2 Directive MIIT Order No 32, 2016	No Restricted Materials Above Threshold
EU REACH Regulation (EC) No. 1907/2006	Current ECHA Candidate List: JUNE 2023 (235) Candidate List Declared Against: JAN 2023 (233) Does not contain REACH SVHC
Halogen Content	Not Low Halogen - contains Br or Cl > 900 ppm.
Solder Process Capability	Not applicable for solder process capability

Product Compliance Disclaimer

This information is provided based on reasonable inquiry of our suppliers and represents our current actual knowledge based on the information they provided. This information is subject to change. The part numbers that TE has identified as EU RoHS compliant have a maximum concentration of 0.1% by weight in homogenous materials for lead, hexavalent chromium, mercury, PBB, PBDE, DBP, BBP, DEHP, DIBP, and 0.01% for cadmium, or qualify for an exemption to these limits as defined in the Annexes of Directive 2011/65/EU (RoHS2). Finished electrical and electronic equipment products will be CE marked as required by Directive 2011/65/EU. Components may not be CE marked. Additionally, the part numbers that TE has identified as EU ELV compliant have a maximum concentration of 0.1% by weight in homogenous materials for lead, hexavalent chromium, and mercury, and 0.01% for cadmium, or qualify for an exemption to these limits as defined in the Annexes of Directive 2000/53/EC (ELV). Regarding the REACH Regulation, the information TE provides on SVHC in articles for this part number is based on the latest European Chemicals Agency (ECHA) 'Guidance on requirements for substances in articles' posted at this URL: <https://echa.europa.eu/guidance-documents/guidance-on-reach>

Compatible Parts



TE Part # CAT-AM74-UN384H
AMP-LATCH UNIVERSAL HEADERS



TE Part # 5088450-9
PULL LOOP, CUT LENGTH 1.82 IN



TE Part # 1-1761607-3
IDC LOW PRO HDR 40P RA LG LAT
BLK



TE Part # 5104338-8
A/L LOW PRO HDR 40P VERT HT
BLK



TE Part # 1-1761608-3
IDC LOW PRO HDR 40P VERT SHT L



TE Part # 1-1761609-3
IDC LOW PRO HDR 40P RA SHT LAT



TE Part # 5103308-8
A/L LOW PRO HDR 40P VERT BLACK



TE Part # 5103310-8
A/L LOW PRO HDR 40P RA BLACK



TE Part # 3-1761606-3
IDC LOW PRO HDR 40P VERT LG LA



TE Part # 1-1761606-3
IDC LOW PRO HDR 40P VERT LG LAT
BLK



TE Part # 5103309-8
A/L LOW PRO HDR 40P VERT BLACK



TE Part # 2-111506-4
040 UNIV I/O 30DP SLOT LTCH



TE Part # 5103311-8
A/L LOW PRO HDR 40P RA BLACK



TE Part # 1-1761681-3
IDC LOW PRO HDR 40P VERT HT
BLACK



TE Part # 2-111446-3
040 UNIV I/O 30DP NO EARS



TE Part # 3-1761607-3
IDC LOW PRO HDR 40P RA LG LAT



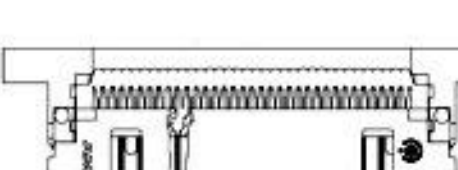
TE Part # 3-1761713-3
IDC LOW PRO HDR 40P VERT SHT L



TE Part # 5104340-8
A/L LOW PRO HDR 40P RA HT



TE Part # 1-1761686-3
IDC LOW PRO HDR 40P VERT LG LAT



TE Part # 5111448-9
040 UNIV I/O 30DP SLOT

Customers Also Bought



TE Part #1658527-4
622-1041LF FEM SOCKET, LEAD FREE



TE Part #1-1658527-4
622-5030LF FEM SOCKET, LEAD FREE



TE Part #9-1879210-5
CPF 0402 1K43 0.1% 25PPM 5K RL



TE Part #284425-1
3 POS CONNECTOR FOR INJECTION



TE Part #1SNL316010R0000
DBL160



TE Part #1SNL317510R0000
DBL175



TE Part #234208-E
SMCQ 50 M AB VV 8-23 CL * H007 137
E005



TE Part #254780-E
CCA PFT M12 5 F-S A M12 5 M-S A **
* J

Documents

Product Drawings

[622-4030LF FEM SOCKET, LEAD FREE](#)

English

CAD Files

[3D PDF](#)

3D

Customer View Model

[ENG_CVM_CVM_1-1658527-2_C.2d_dxf.zip](#)

English

Customer View Model

[ENG_CVM_CVM_1-1658527-2_C.3d_igs.zip](#)

English

Customer View Model

[ENG_CVM_CVM_1-1658527-2_C.3d_stp.zip](#)

English

By downloading the CAD file I accept and agree to the [Terms and Conditions](#) of use.

Datasheets & Catalog Pages

[Ribbon Cable Interconnect Solutions](#)

English

Instruction Sheets

[Instruction Sheet \(U.S.\)](#)

English