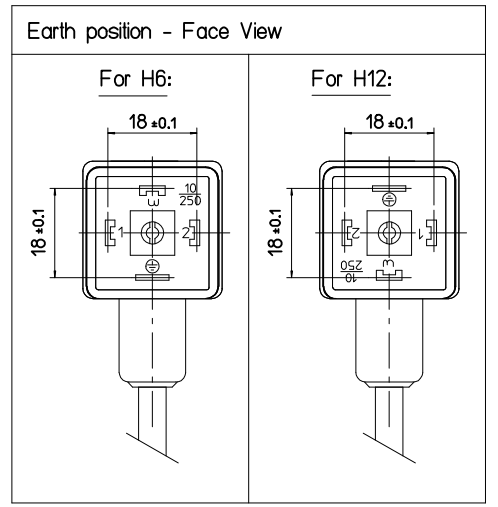
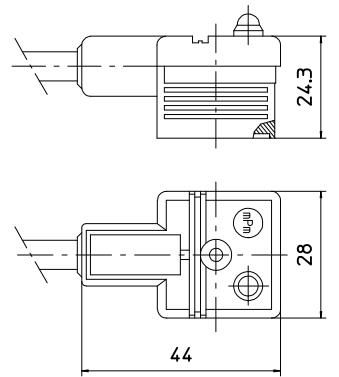
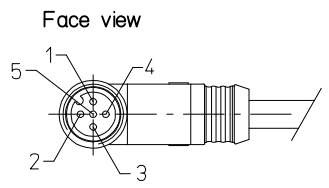
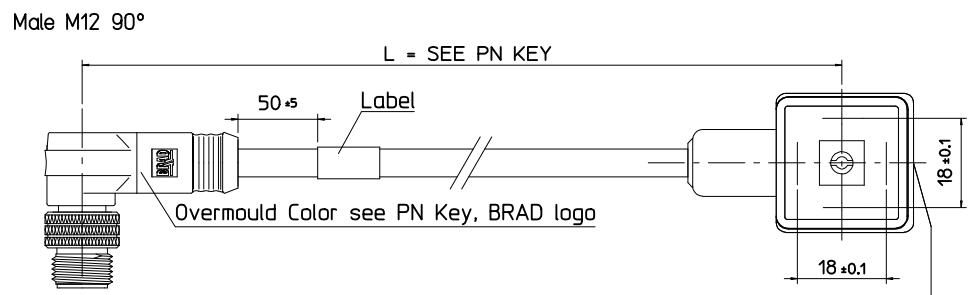
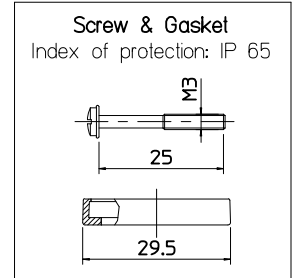


Over	Up to and including	Tolerance
0	1000	±20
1000	3000	±30
3000	5000	±40
5000	10000	±50
10000	15000	±100
15000	20000	±150
20000		±L/100



PART No MATRIX - PN Key

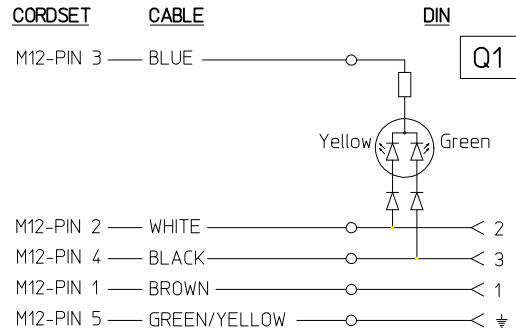
J	8	5	0	N	X	X	X	X	X	X	X	X	X	X	
J = Form A 38-IE (16mm contact spacing)	8 = MMC Single Keyway	5=5 Pole	Electrical configuration: 0N = Circuit type 01 Two color's LED: Yellow & Green 24V		XXX = Cable Type				M = Metres F = Feet	Length: 020-2 Meters 050-5 Meters 200-20 Meters					
DIN Earth Position - o'clock & M12 connector body: 2 = Earth H6, MALE 90° 3 = Earth H12, MALE 90°					<p>COUPLING NUT MATERIAL:</p> <ul style="list-style-type: none"> Blank-Standard 1=Stainless Steel 5=Delrin 7=Teflon coat 										

OPTIONS

H/D Carrier
M12 Overmoulding color:
Blank-Black Standard
Y=Yellow
A=Grey

<p>ORIGINAL RELEASE</p> <p>EC NO: IPG2015-2/150</p> <p>DRWN: JMARSZALEK 2013/11/16</p> <p>CHKD:</p> <p>APPR: MIWASIECZKO 2015/06/24</p>	<p>QUALITY SYMBOLS</p> <p>▽=0</p> <p>∇=0</p>	GENERAL TOLERANCES (UNLESS SPECIFIED)		DIMENSION STYLE	SCALE	DESIGN UNITS	<p>FIRST ANGLE PROJECTION</p>	
				MM ONLY		METRIC		
		4 PLACES	± --- ± ---	DRAWN BY	DATE	TITLE		
		3 PLACES	± --- ± ---	JMARSZALEK	2013/11/16	J850N2XXXXXXXXX J850N3XXXXXXXXX DIN A + CORDSETS M12		
2 PLACES	± --- ± ---	CHECKED BY	DATE	<p>molex</p>				
1 PLACE	± --- ± ---	APPROVED BY	DATE		DOCUMENT NO.			
0 PLACE	± --- ± ---	MIWASIECZKO	2015/06/24		SD-121036-011			
ANGULAR ± --- °		DRAFT WHERE APPLICABLE MUST REMAIN WITHIN DIMENSIONS		SEE SHEET 2	SHEET NO.		1 OF 2	
				SIZE	THIS DRAWING CONTAINS INFORMATION THAT IS PROPRIETARY TO MOLEX INCORPORATED AND SHOULD NOT BE USED WITHOUT WRITTEN PERMISSION			

Electrical diagram with circuit Q1:



Cable type

Cable Type	Jacket Material	Jacket Color	Wire cross section	Braid
I26	CEI	Grey	0.34mm ²	yes
P12	PUR	Black	0.5mm ²	no

PART LIST

Pos.	Molex PN:	Engineering No.:
1	1210360336	J850N2P12M030
2	1210360341	J850N3P12M010
3		
4		
5		
6		
7		
8		
9		
10		
11		
12		
13		
14		
15		
16		
17		
18		
19		
20		
21		
22		
23		
24		
25		
26		
27		
28		
29		
30		
31		
32		
33		
34		
35		
36		
37		
38		
39		
40		

ORIGINAL RELEASE EC NO: IPG2015-2150 DRWN: JMARSZALEK 2013/11/16 CHKD: APPR: MIWASIECZKO 2015/06/24	DESCRIPTION REV	QUALITY SYMBOLS	GENERAL TOLERANCES (UNLESS SPECIFIED) 4 PLACES ± --- ± --- 3 PLACES ± --- ± --- 2 PLACES ± --- ± --- 1 PLACE ± --- ± --- 0 PLACE ± --- ± --- ANGULAR ± --- ° DRAFT WHERE APPLICABLE MUST REMAIN WITHIN DIMENSIONS	DIMENSION STYLE	SCALE	DESIGN UNITS	FIRST ANGLE PROJECTION	
		▽=0 ◻=0		MM ONLY	1:1	METRIC		
				DRAWN BY: JMARSZALEK DATE: 2013/11/16 CHECKED BY: DATE: APPROVED BY: DATE: 2015/06/24 MATERIAL NO.	TITLE	J850N2XXXXXXXXX J850N3XXXXXXXXX DIN A + CORDSETS M12		
		SEE TABLE		molex SD-121036-011		SHEET NO. 2 OF 2		
				THIS DRAWING CONTAINS INFORMATION THAT IS PROPRIETARY TO MOLEX INCORPORATED AND SHOULD NOT BE USED WITHOUT WRITTEN PERMISSION				