

TABLE 1

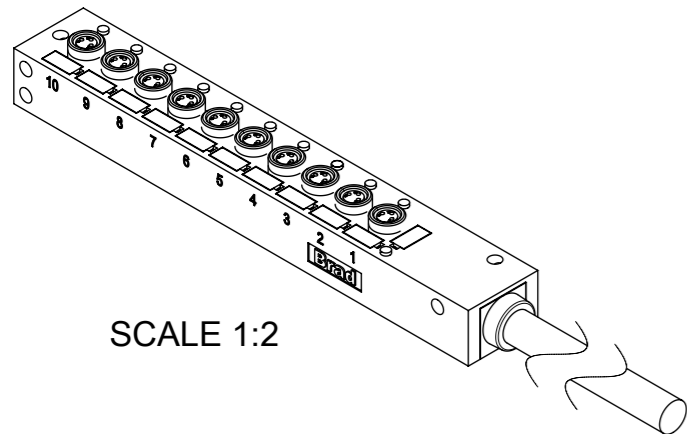
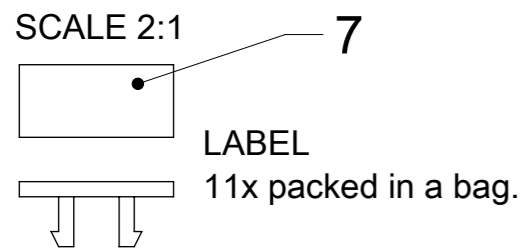
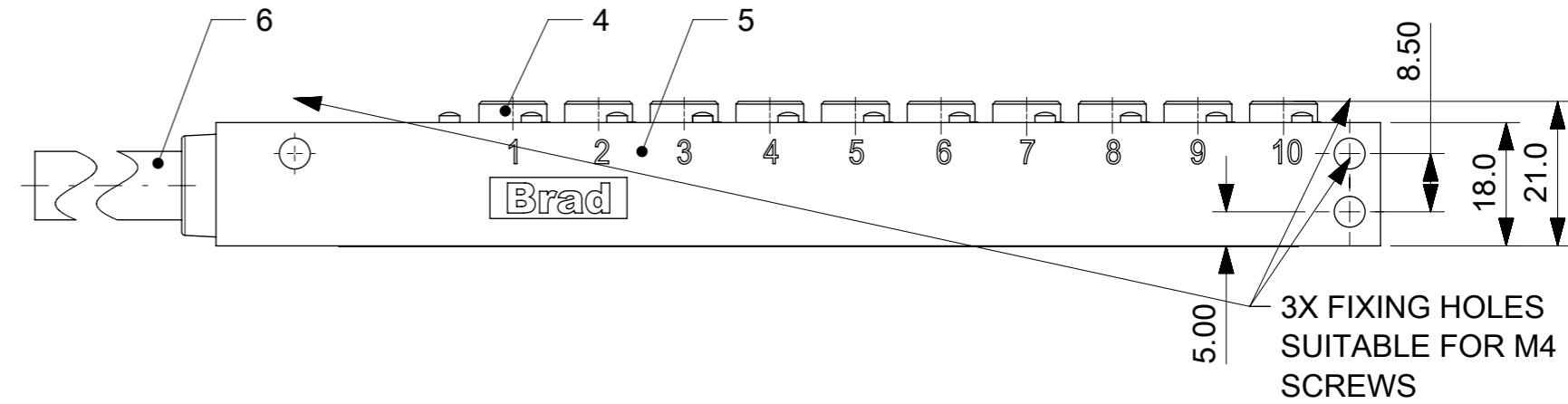
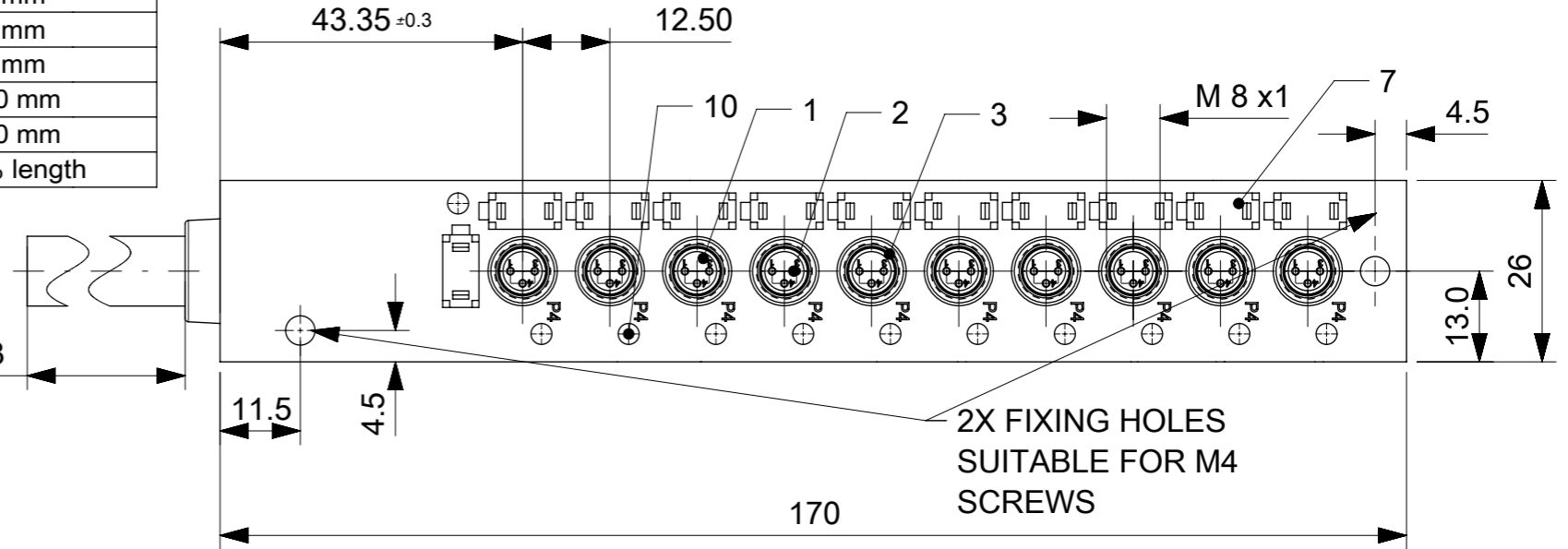
MOLEX P/N	ENG. NO.	CABLE LENGTH+TOL. (mm)	LED
1202470005	BEBA01P-FBW-003	300	YES
1202470006	BEBA01P-FBW-05	5000	YES
1202470007	BEBA01P-FBW-10	10000	YES
1202470008	BEBA01P-FBW-15	15000	YES
1202470009	BEBA01P-FBW-20	20000	YES
1202470037	BEBA010-FBW-05	5000	NO
1202470038	BEBA010-FBW-10	10000	NO
1202470039	BEBA010-FBW-15	15000	NO

TABLE 3

CABLE LENGTH TOLERANCES	
LENGTH	TOLERANCE
0m-1m	+40 mm
>1m-5m	+60 mm
>5m-10m	+80 mm
>10m-20m	+140 mm
>20m-30m	+160 mm
>30m	+1% length

TABLE 2

ITEM	COMPONENT	MATERIAL	FINISH
1	INSERT	TPU	BLACK
2	CONTACT SOCKET	COPPER ALLOY	GOLD OVER NICKEL
3	O-RING	VITON	RED
4	RECEPTACLE SHELL	BRASS	NICKEL PLATED
5	HOUSING	PBT	BLACK
6	CABLE	TPU	BLACK
7	LABEL	ABS	WHITE
8	LABLE ADHESIVE	PE	WHITE
9	CABLE PLATE	PBT	BLACK
10	LED	NO LED = PA WITH LED = PA	BLACK TRANSPARENT
11	RESIN	EPOXY	TRANSPARENT

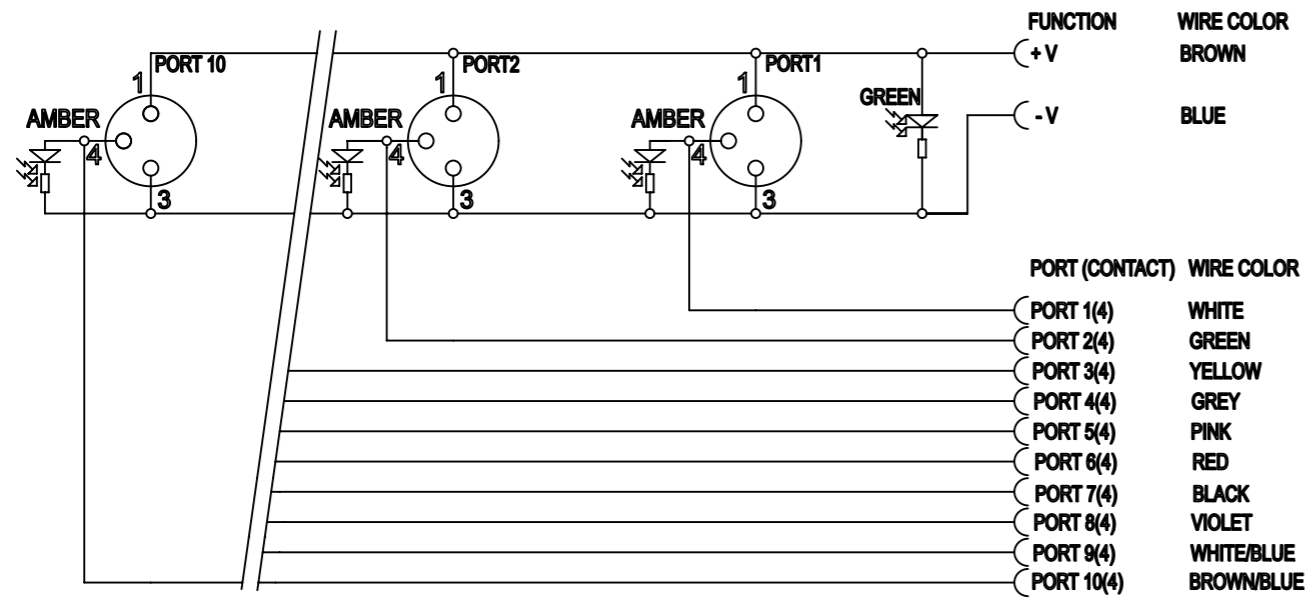


GENERAL CHARACTERISTICS:

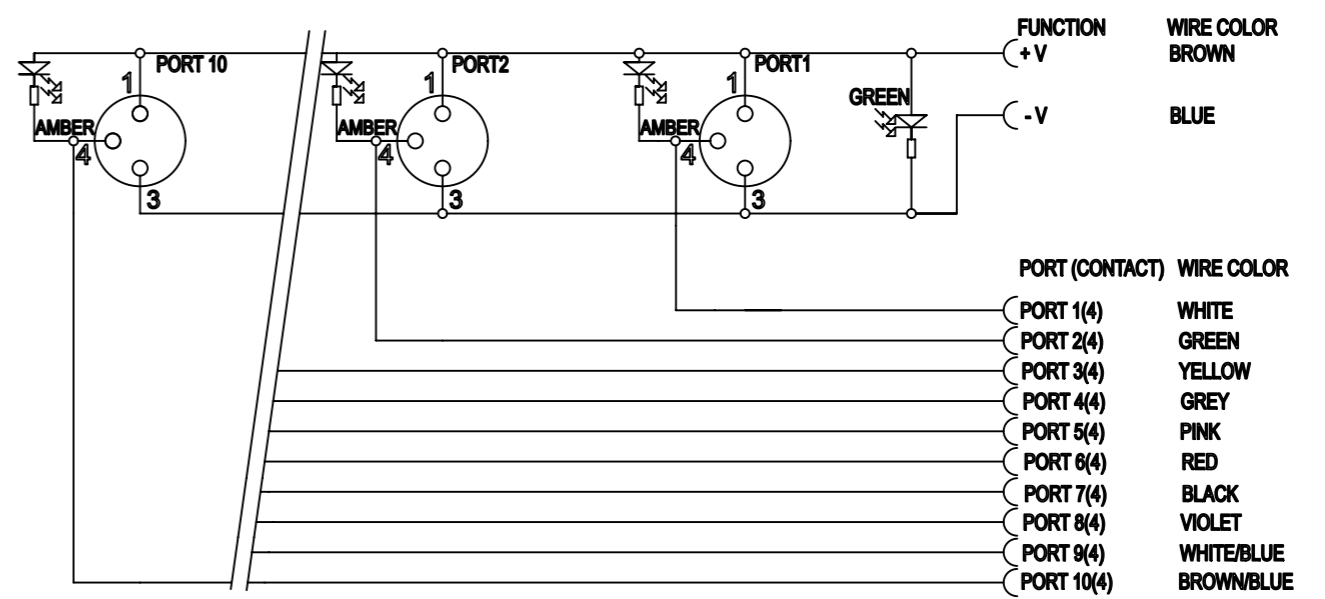
NOMINAL VOLTAGE: 24 V DC
 RATED CURRENT: 2 A PER PORT / 6 A MAX: TOTAL
 IP DEGREE OF PROTECTION: IP 68
 TEMPERATURE RANGE: -25°C to + 85°C

SYMBOLS		THIS DRAWING CONTAINS INFORMATION THAT IS PROPRIETARY TO MOLEX ELECTRONIC TECHNOLOGIES, LLC AND SHOULD NOT BE USED WITHOUT WRITTEN PERMISSION	
DIMENSION UNITS	SCALE	CURRENT REV	DESC: CABLE LENGTH TOLERANCES ADDED
mm	1:1	631956	
GENERAL TOLERANCES (UNLESS SPECIFIED)		DRWN: RSCHIEBER	2020/02/11
ANGULAR TOL	± °	CHK'D: RSILLER	2020/02/12
4 PLACES	±	APPR: RSILLER	2020/02/12
3 PLACES	±	INITIAL REVISION:	
2 PLACES	± 0.2	DRWN: ULETENMEIER	2015/01/20
1 PLACE	± 0.3	APPR: RSILLER	2015/04/22
0 PLACES	± 0.5	THIRD ANGLE PROJECTION	
DRAFT WHERE APPLICABLE MUST REMAIN WITHIN DIMENSIONS		DRAWING	SERIES
		A3-SIZE	120247
		MATERIAL NUMBER	CUSTOMER
		SEE TABLE 1	GENERAL MARKET
		DOCUMENT NUMBER	DOC TYPE DOC PART REVISION
		1202470005	PSD 000 B1
		SHEET NUMBER	
		1 OF 2	

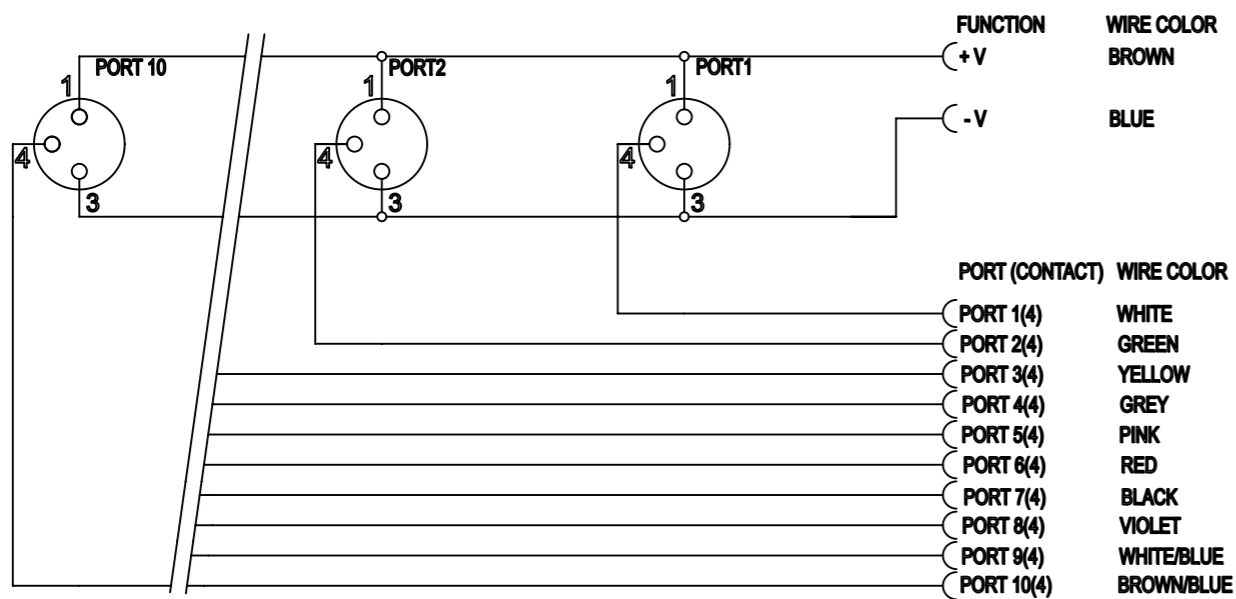
Wiring Diagram PNP Single



Wiring Diagram NPN Single



Wiring Diagram NON LED Single



SYMBOLS	THIS DRAWING CONTAINS INFORMATION THAT IS PROPRIETARY TO MOLEX ELECTRONIC TECHNOLOGIES, LLC AND SHOULD NOT BE USED WITHOUT WRITTEN PERMISSION		CURRENT REV DESC: CABLE LENGTH TOLERANCES ADDED		molex		
	DIMENSION UNITS	SCALE					
▽ = 0	mm	1:1	GENERAL TOLERANCES (UNLESS SPECIFIED)		MPIS M8 PNP NPN NOS 3P 10PT BK XM SINGLE		
▽ = 0	ANGULAR TOL ± °		EC NO: 631956		PRODUCT CUSTOMER DRAWING		
▽ = 0	4 PLACES ±		DRWN: RSCHIEBER 2020/02/11		DOCUMENT NUMBER		
▽ = 0	3 PLACES ±		CHK'D: RSILLER 2020/02/12		1202470005		
▽ = 0	2 PLACES ±	0.2	APPR: RSILLER 2020/02/12		DOC TYPE DOC PART REVISION		
▽ = 0	1 PLACE ±	0.3	INITIAL REVISION:		PSD 000 B1		
▽ = 0	0 PLACES ±	0.5	DRWN: ULETENMEIER 2015/01/20		MATERIAL NUMBER		
▽ = 0	DRAFT WHERE APPLICABLE MUST REMAIN WITHIN DIMENSIONS		APPR: RSILLER 2015/04/22		CUSTOMER		
▽ = 0	THIRD ANGLE PROJECTION		DRAWING		SHEET NUMBER		
▽ = 0	A3-SIZE		SERIES		SEE TABLE 1 GENERAL MARKET 2 OF 2		