

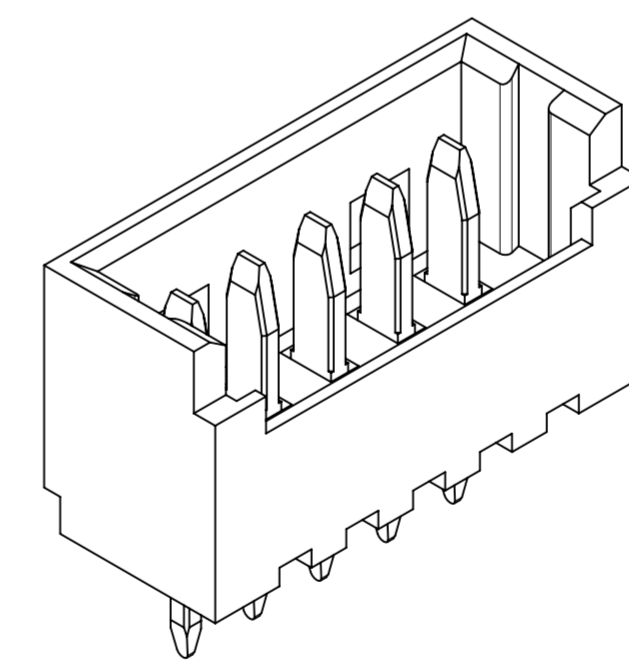
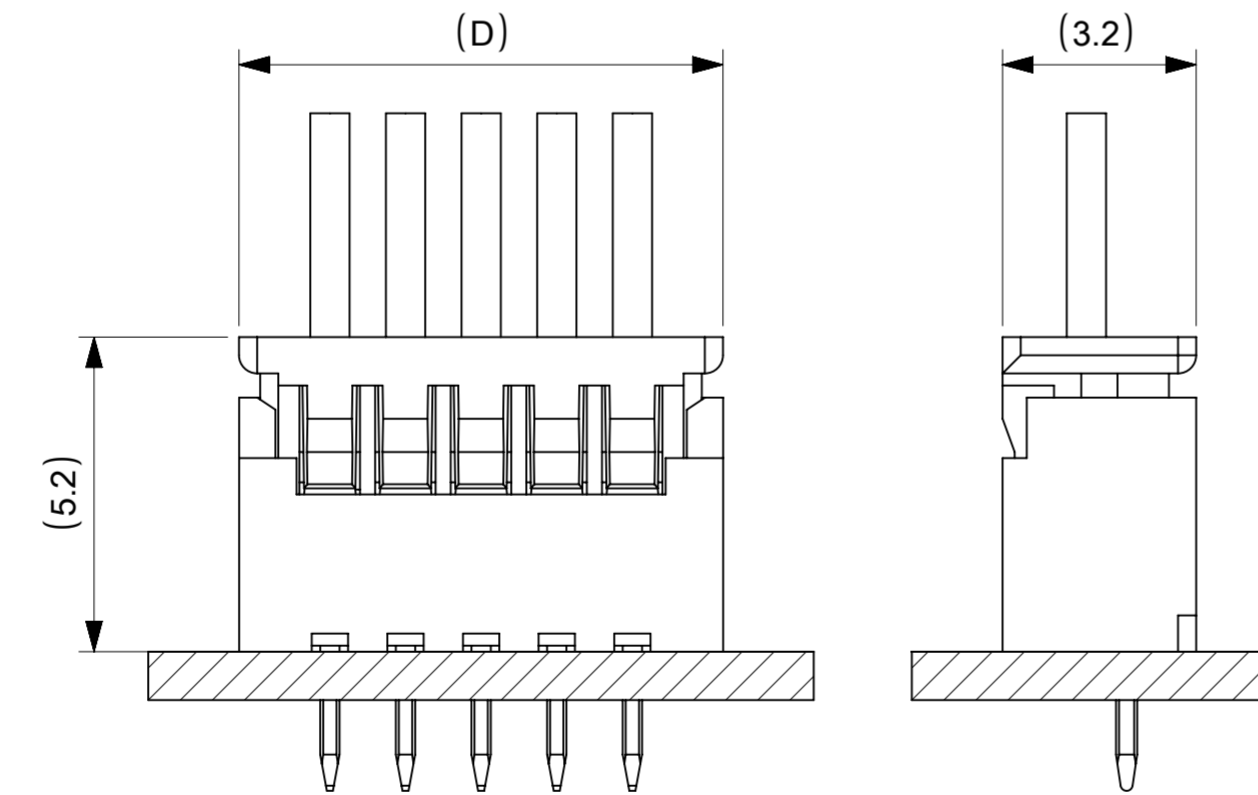
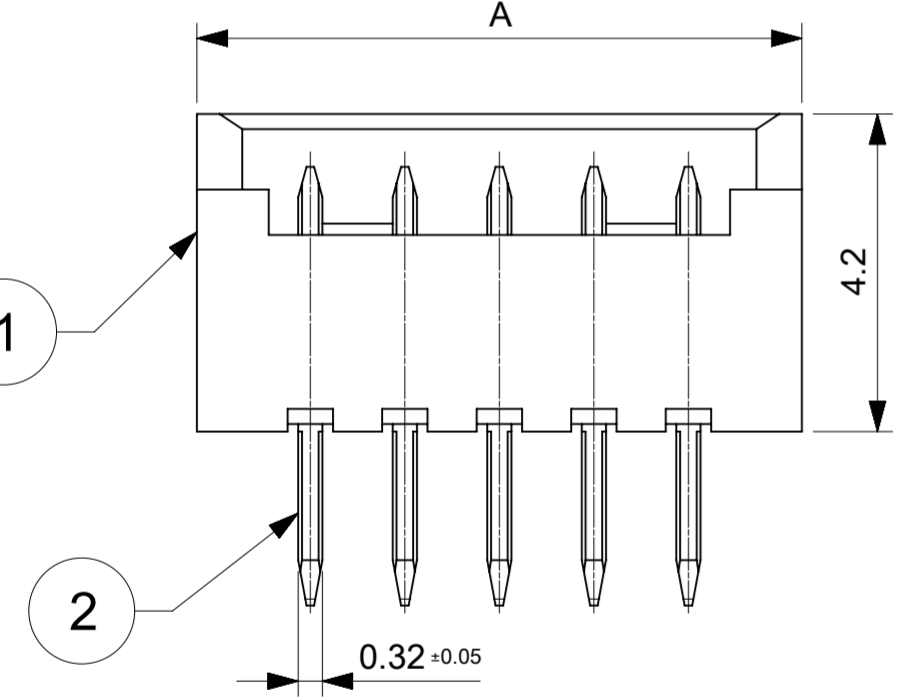
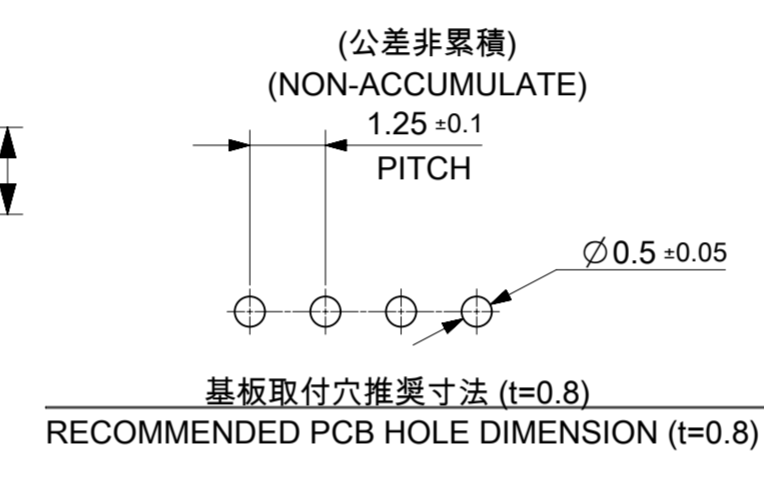
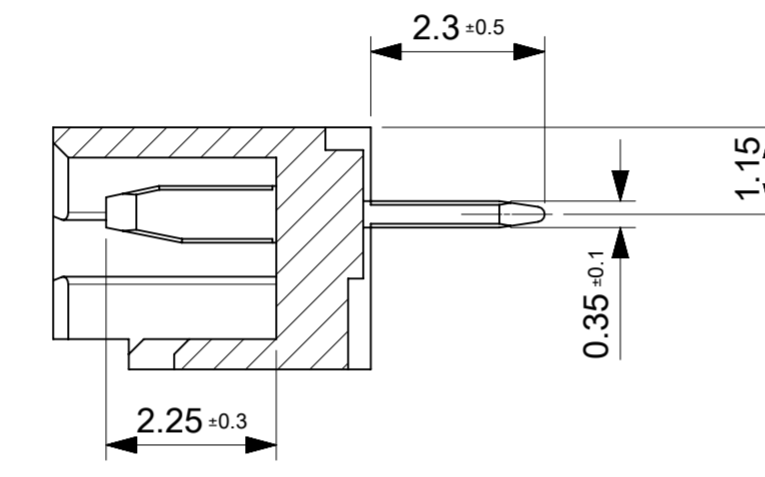
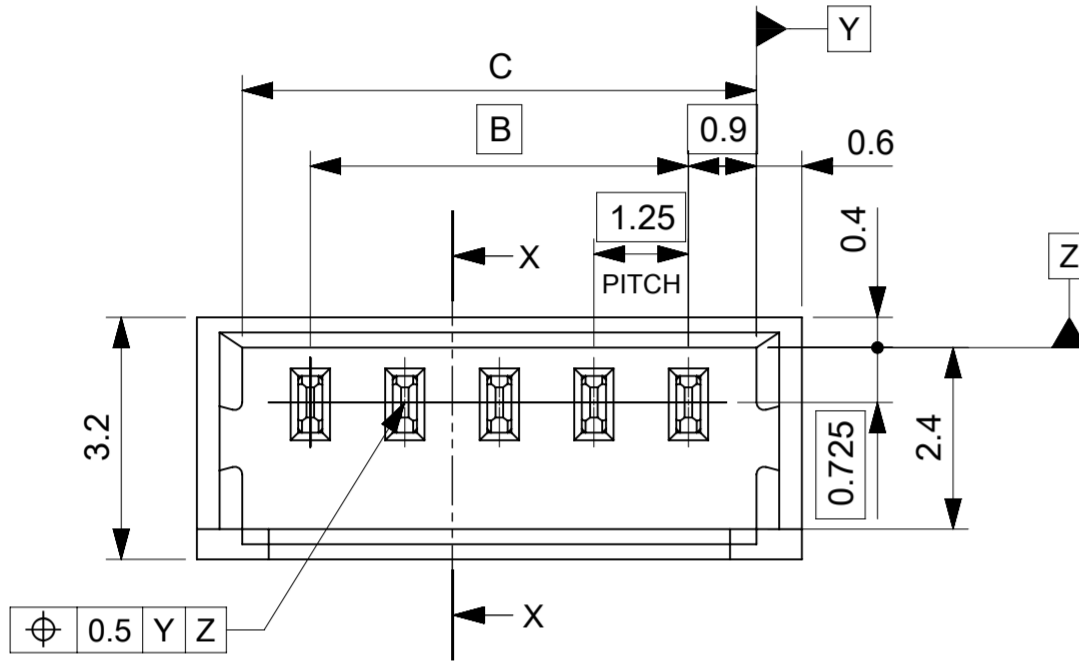
2, 3極形状 (1ロック)  
FIGURE OF 2, 3 CIRCUIT (1 LOCK)

4~15極形状 (2ロック)  
FIGURE OF 4-15 CIRCUIT (2 LOCKS)

注記 NOTES

- ① 材料及び仕上げ (めっき仕様) : TABLE 1 参照  
MATERIAL AND FINISHES: SEE TABLE 1
- ② 適合製品及び各種仕様書はSHEET 2をご参考ください。  
PLEASE REFER TO SHEET 2 FOR APPLICABLE PRODUCTS AND VARIOUS SPECIFICATIONS.
- ③ ロック窓 LOCKING WINDOW:  
ロック窓は、2、3極では1ヶ所、4極以上では2ヶ所とする。  
ONE PLACE FOR 2 AND 3 CIRCUIT.  
TWO PLACES FOR 4 CIRCUIT AND MORE.
- ④ 本製品はすずめっき品です。金めっき品は530470001-SDをご参照ください。  
THIS PRODUCT IS TIN PLATING TYPE.  
PLEASE REFER TO 530470001-SD FOR GOLD PLATING TYPE.
- ⑤ 発注番号  
ORDER NUMBER **53047\*\*10**

極数  
CIRCUIT



|       |       |       |       |           |    |
|-------|-------|-------|-------|-----------|----|
| 20.5  | 19.3  | 17.5  | 20.5  | 530471510 | 15 |
| 19.25 | 18.05 | 16.25 | 19.25 | 530471410 | 14 |
| 18    | 16.8  | 15    | 18    | 530471310 | 13 |
| 16.75 | 15.55 | 13.75 | 16.75 | 530471210 | 12 |
| 15.5  | 14.3  | 12.5  | 15.5  | 530471110 | 11 |
| 14.25 | 13.05 | 11.25 | 14.25 | 530471010 | 10 |
| 13    | 11.8  | 10    | 13    | 530470910 | 9  |
| 11.75 | 10.55 | 8.75  | 11.75 | 530470810 | 8  |
| 10.5  | 9.3   | 7.5   | 10.5  | 530470710 | 7  |
| 9.25  | 8.05  | 6.25  | 9.25  | 530470610 | 6  |
| 8     | 6.8   | 5     | 8     | 530470510 | 5  |
| 6.75  | 5.55  | 3.75  | 6.75  | 530470410 | 4  |
| 5.5   | 4.3   | 2.5   | 5.5   | 530470310 | 3  |
| 4.25  | 3.05  | 1.25  | 4.25  | 530470210 | 2  |

|   |   |   |   |  |               |
|---|---|---|---|--|---------------|
| D | C | B | A | ⑤ オーダー番号<br>ORDER NO.                  | 極数<br>CIRCUIT |
|   |   |   |   | 梱包形態: トレイ梱包<br>PACKAGING: PLASTIC TRAY |               |

① TABLE 1

① 嵌合図  
MATED CONNECTOR

| 番号 NO.          | 部品 PART        | 材質 MATERIAL   |   |
|-----------------|----------------|---|---|
| ①               | ハウジング HOUSING  | ポリアミド(PA), UL94V-0, 色: ナチュラル (ホワイト)<br>POLYAMIDE(PA), UL94V-0, COLOR: NATURAL (WHITE) |   |
| ②               | ターミナル TERMINAL | 母材 MATERIAL   | りん青銅<br>PHOSPHOR BRONZE   |
|                 |                | コンタクト部 CONTACT AREA   | 無光沢錫めっき 0.9 MICRO-METER MIN.<br>(リフロー処理、前めっき)                             |
|                 |                | テール部 TAIL AREA  | MATTE TIN PLATING 0.9 MICRO-METER MIN.<br>(REFLOW TREATMENT, PRE-PLATING) |
| DOCUMENT STATUS | P1             | RELEASE DATE  | 2022/04/19 08:41:22   |

THIS DRAWING CONTAINS INFORMATION THAT IS PROPRIETARY TO MOLEX ELECTRONIC TECHNOLOGIES, LLC AND SHOULD NOT BE USED WITHOUT WRITTEN PERMISSION

|  |        |                            |   |       |        |  |
|--|--------|----------------------------|---|-------|--------|--|
| DIMENSION UNITS                                      | SCALE  | CURRENT REV DESC: REVISED  | <b>molex</b>  |       |        |  |
| mm   | NTS    |                            |   |       |        |  |
| GENERAL TOLERANCES (UNLESS SPECIFIED)                |        |                            | PICOBLADE 1.25<br>HEADER ASSY DIP VT TIN PLATING TYPE |       |        |  |
| ANGULAR TOL  | ± 3.0° | EC NO: 698818              | PRODUCT CUSTOMER DRAWING                              |       |        |  |
| 4 PLACES   | ± 0.2  | DRWN: HHUSSIN 2022/02/16   | DOCUMENT NUMBER                                       |       |        |  |
| 3 PLACES   | ± 0.2  | CHK'D: SAKIYAMA 2022/04/19 | DOC TYPE   DOC PART   REVISION                        |       |        |  |
| 2 PLACES   | ± 0.2  | APPR: AIDA 2022/04/19      | 530470000-SD   PSD   000   B                          |       |        |  |
| 1 PLACE  | ± 0.2  | INITIAL REVISION:          | MATERIAL NUMBER                                       |       |        |  |
| 0 PLACES   | ± 0.2  | DRWN: SOBARA01 2019/04/10  | CUSTOMER  |       |        |  |
| DRAFT WHERE APPLICABLE MUST REMAIN WITHIN DIMENSIONS |        |                            | SHEET NUMBER  |       |        |  |
| THIRD ANGLE PROJECTION                               |        |                            | A2-SIZE   | 53047 | 1 OF 2 |  |

△ 適合製品及び各種仕様書  
 APPLICABLE PRODUCTS AND SPECIFICATIONS

|  |                 |                          |           |                                       |           |
|--|-----------------|--------------------------|-----------|---------------------------------------|-----------|
| 梱包仕様書<br>PACKING SPECIFICATION                   |                 | PART NUMBER<br>53047**10 |           | SPECIFICATION NUMBER<br>SPK-53047-001 |           |
| 適合ハウジング<br>APPLICABLE HOUSING                    |                 | PART NUMBER<br>51021**00 |           |                                       |           |
| 適合圧着端子<br>APPLICABLE TERMINAL                    | PLATING         | TIN                      |           |                                       |           |
|  | PART NUMBER     | 500798*00                | 500588*00 | 500798001                             | 500588001 |
|  | WIRE SIZE (AWG) | #26-28                   | #28-32    | #26-28                                | #28-32    |
| 製品仕様書<br>PRODUCT SPECIFICATION                   |                 | PS-51021-010 PS 001      |           | 510211110-PS PS 000                   |           |
| アプリケーション仕様書 (取扱説明書)<br>APPLICATION SPECIFICATION |                 | 510210000-AS PS 000      |           |                                       |           |

|   |        |                            |  |         |   |                 |          |              |          |          |
|---|--------|----------------------------|--|---------|---|-----------------|----------|--------------|----------|----------|
| THIS DRAWING CONTAINS INFORMATION THAT IS PROPRIETARY TO MOLEX ELECTRONIC TECHNOLOGIES, LLC AND SHOULD NOT BE USED WITHOUT WRITTEN PERMISSION |        |                            |  |         |   |                 |          |              |          |          |
| DIMENSION UNITS   | SCALE  | CURRENT REV DESC: REVISED  |  |         | <b>molex</b>  |                 |          |              |          |          |
| mm  | NTS    |                            |  |         |   |                 |          |              |          |          |
| GENERAL TOLERANCES (UNLESS SPECIFIED)   |        |                            |  |         | PICOBLADE 1.25<br>HEADER ASSY DIP VT TIN PLATING TYPE |                 |          |              |          |          |
| ANGULAR TOL   | ± 3.0° | EC NO: 698818              |  |         | PRODUCT CUSTOMER DRAWING                              |                 |          |              |          |          |
| 4 PLACES  | ± 0.2  | DRWN: HHUSSIN 2022/02/16   |  |         |   |                 |          |              |          |          |
| 3 PLACES  | ± 0.2  | CHK'D: SAKIYAMA 2022/04/19 |  |         |   |                 |          |              |          |          |
| 2 PLACES  | ± 0.2  | APPR: AIDA 2022/04/19      |  |         |   |                 |          |              |          |          |
| 1 PLACE   | ± 0.2  | INITIAL REVISION:          |  |         | DOCUMENT NUMBER                                       |                 |          |              |          |          |
| 0 PLACES  | ± 0.2  | DRWN: SOBARA01 2019/04/10  |  |         | 530470000-SD  |                 |          | DOC TYPE     | DOC PART | REVISION |
| DRAFT WHERE APPLICABLE MUST REMAIN WITHIN DIMENSIONS  |        | THIRD ANGLE PROJECTION     |  | DRAWING | SERIES  | MATERIAL NUMBER | CUSTOMER | SHEET NUMBER |          |          |
|   |        |                            |  | A2-SIZE | 53047   | SEE CHART       | GENERAL  | 2 OF 2       |          |          |

|                 |    |              |            |          |
|-----------------|----|--------------|------------|----------|
| DOCUMENT STATUS | P1 | RELEASE DATE | 2022/04/19 | 08:41:22 |
|-----------------|----|--------------|------------|----------|