

NOTES

- 1. MATERIALS :
 HOUSING - LCP, GLASS FILLED, UL94-V0, COLOR: BLACK.
 POWER PIN - COPPER ALLOY
- 2. FINISHES :
 0.76 MICROMETER MINIMUM GOLD AT CONTACT AREA AND
 2.54 MICROMETER MINIMUM TIN AT SOLDER TAIL AREA
 OVER 1.27um MINIMUM NICKEL UNDERPLATE.
- 3. PRODUCT SPECIFICATION: PS-78231-006.
- 4. COMPONENT STAY AWAY ZONE FROM CONNECTOR.
- 5. PCB NOTE FOR PLATED HOLE.

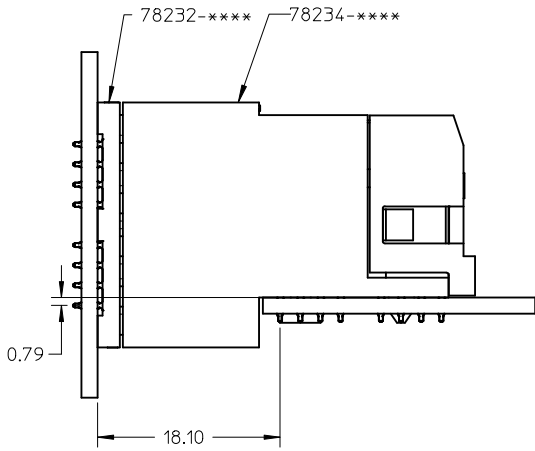
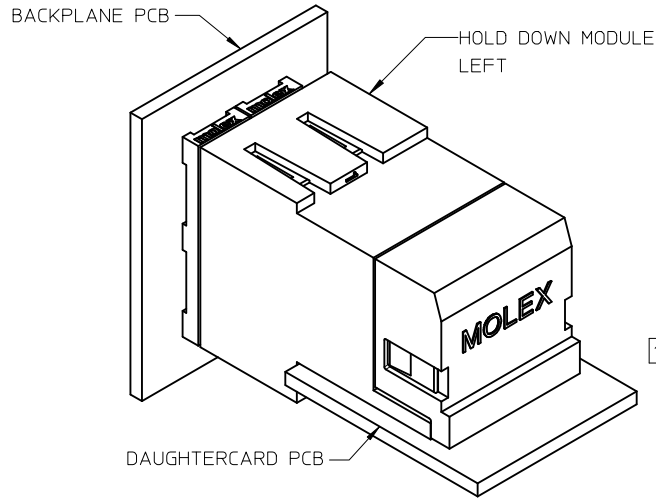
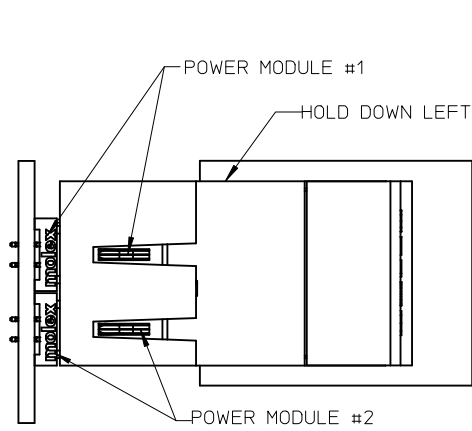
TYPE OF PLATED HOLE	DRILLED HOLE SIZE	PLATING THICKNESS	PLATED HOLE SIZE ϕ DIM H*
TIN	0.838	0.007 MIN TIN/SILVER OVER 0.03 TO 0.08 COPPER PLATING	0.725 ± 0.075
SILVER	0.863		0.750 ± 0.050

SEE SHEET 2 AND 3 FOR RECOMMENDED PCB LAYOUT.

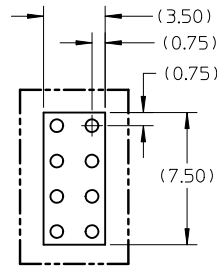
- 6. MATES WITH 78234-****.
- 7. PART NUMBER AND YEAR-WK CODE.
- 8. ADJACENT POWER MODULE PITCH.
- 9. PACKAGING PROCEDURE AS PER PK-78232-001.

REMOVE PB/SN EC NO: S2012-0580 DRWN: SHONG CHKD: LNG APPR: NAGESHKIN	2012/01/31 2012/02/13 2012/02/13	DESCRIPTION A1	QUALITY SYMBOLS	GENERAL TOLERANCES (UNLESS SPECIFIED)	DIMENSION STYLE	SCALE	DESIGN UNITS	THIRD ANGLE PROJECTION
			$\nabla = 0$ $\square = 0$	mm INCH	MM ONLY	NTS	METRIC	
			4 PLACES ± --- ± --- 3 PLACES ± --- ± --- 2 PLACES ± 0.25 ± --- 1 PLACE ± --- ± --- ANGULAR ± 3 °	DRAWN BY SHONG CHECKED BY LNG APPROVED BY NAGESHKIN DATE 2006/08/15 DATE 2006/08/25 DATE 2012/01/06	TITLE			
			DRAFT WHERE APPLICABLE MUST REMAIN WITHIN DIMENSIONS	MATERIAL NO. 78232-1001 SIZE A3	I-TRAC POWER, 11 ROW VERTICAL RECEPTACLE PRESS-FIT MOLEX INCORPORATED DOCUMENT NO. SD-78232-011	SHEET NO.	1 OF 3	

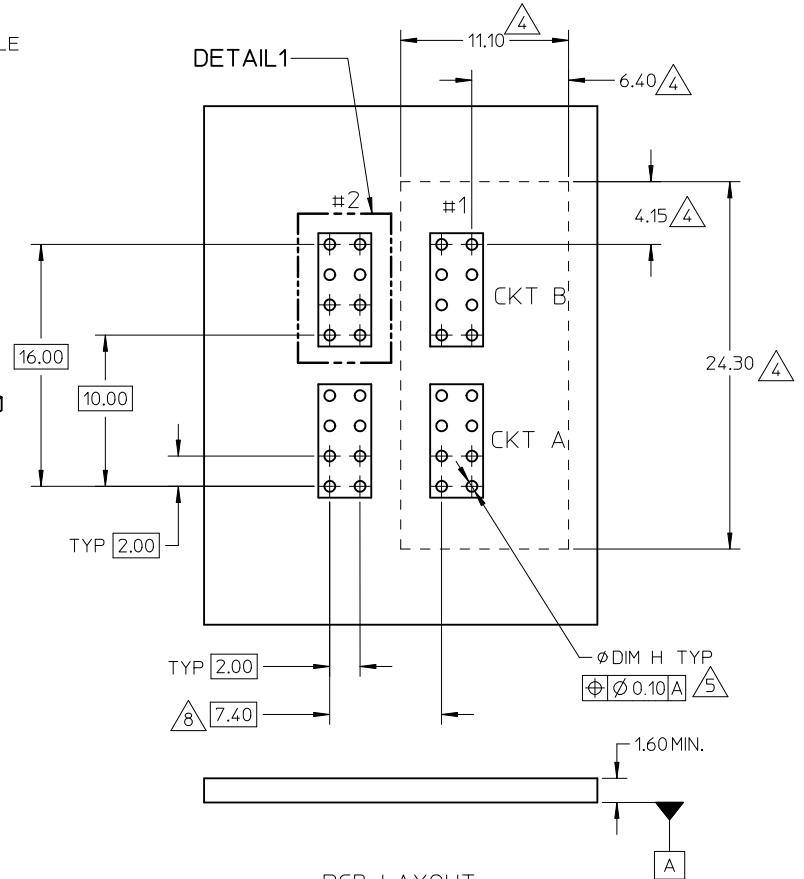
MATED DIMENSIONS AND PCB LAYOUT WITH HEADER HOLD DOWN LEFT



MATED SYSTEM FOR 78232 & 78234



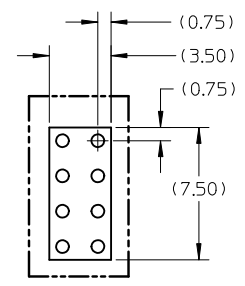
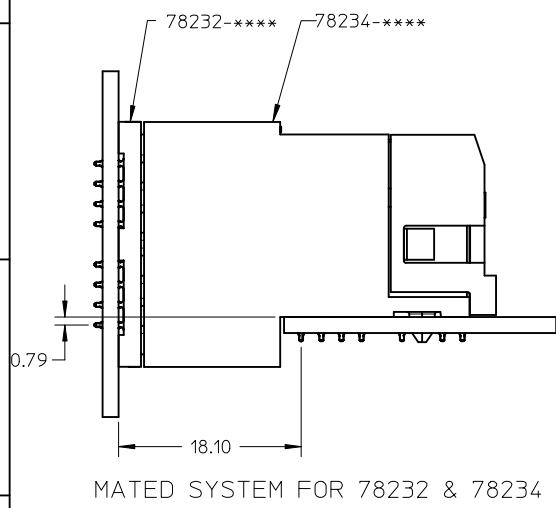
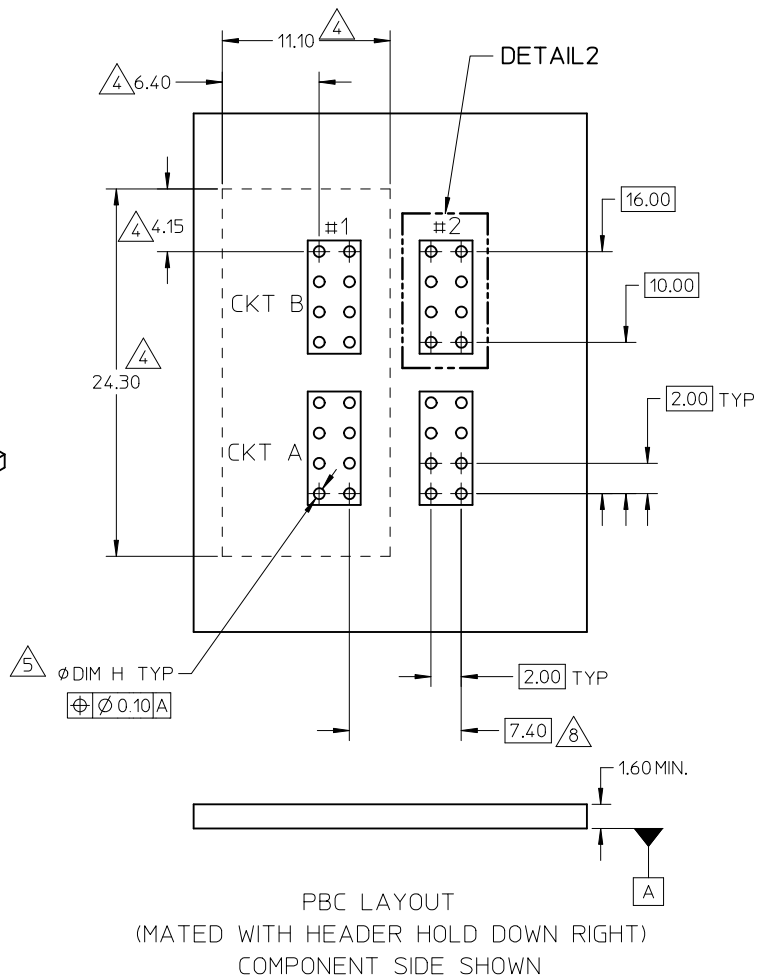
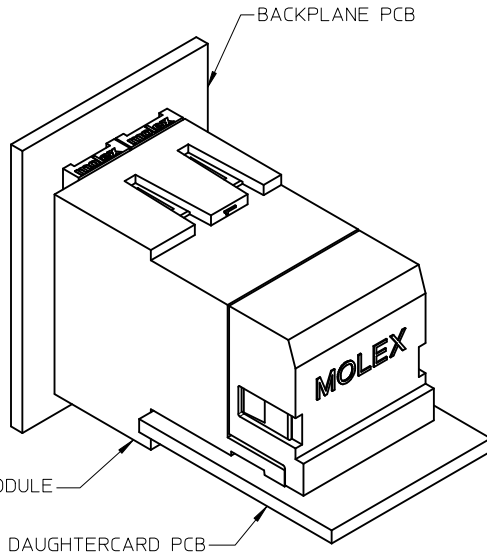
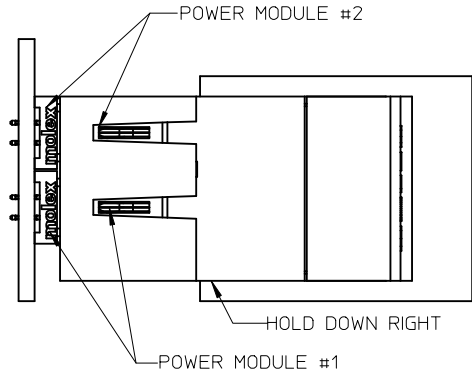
DETAIL1
COPPER PAD REFERENCE



PCB LAYOUT
(MATED WITH HEADER HOLD DOWN MODULE LEFT)
COMPONENT SIDE SHOWN

REMOVE PB/SN EC NO: S2012-0580 DRWN: SHONG CHKD: LNG APPR: NAGESHKN	2012/01/31 2012/02/13 2012/02/13	DESCRIPTION A1	QUALITY SYMBOLS	GENERAL TOLERANCES (UNLESS SPECIFIED)	DIMENSION STYLE	SCALE	DESIGN UNITS	THIRD ANGLE PROJECTION	
			▼=0 ◻=0	mm INCH 4 PLACES ± --- ± --- 3 PLACES ± --- ± --- 2 PLACES ± 0.25 ± --- 1 PLACE ± --- ± --- ANGULAR ± 3 °	MM ONLY	NTS	METRIC		
					DRAWN BY: SHONG DATE: 2006/08/15 CHECKED BY: LNG DATE: 2006/08/25 APPROVED BY: NAGESHKN DATE: 2012/01/06	TITLE	I-TRAC POWER, 11 ROW VERTICAL RECEPTACLE PRESS-FIT		
					MATERIAL NO.: 78232-1001 SIZE: A3	DOCUMENT NO.: SD-78232-011 SHEET NO.: 2 OF 3	MOLEX INCORPORATED THIS DRAWING CONTAINS INFORMATION THAT IS PROPRIETARY TO MOLEX INCORPORATED AND SHOULD NOT BE USED WITHOUT WRITTEN PERMISSION		

MATED DIMENSIONS AND PCB LAYOUT WITH HEADER HOLD DOWN RIGHT



REMOVE PB/SN EC NO: S2012-0580 DRWN: SHONG CHKD: LNG APPR: NAGESHKN	DESCRIPTION REV	QUALITY SYMBOLS	GENERAL TOLERANCES (UNLESS SPECIFIED)	DIMENSION STYLE	SCALE	DESIGN UNITS	THIRD ANGLE PROJECTION	
		▼=0 ◻=0	mm INCH	MM ONLY	NTS	METRIC		
			4 PLACES ± --- ± --- 3 PLACES ± --- ± --- 2 PLACES ± 0.25 ± --- 1 PLACE ± --- ± ---	DRAWN BY SHONG CHECKED BY LNG APPROVED BY NAGESHKN	DATE 2006/08/15 DATE 2006/08/25 DATE 2012/01/06	TITLE I-TRAC POWER, 11 ROW VERTICAL RECEPTACLE PRESS-FIT		
			ANGULAR ± 3 °	MATERIAL NO. 78232-1001	DOCUMENT NO. SD-78232-011	MOLEX INCORPORATED		
A1		DRAFT WHERE APPLICABLE MUST REMAIN WITHIN DIMENSIONS	SIZE A3	THIS DRAWING CONTAINS INFORMATION THAT IS PROPRIETARY TO MOLEX INCORPORATED AND SHOULD NOT BE USED WITHOUT WRITTEN PERMISSION				
							SHEET NO. 3 OF 3	