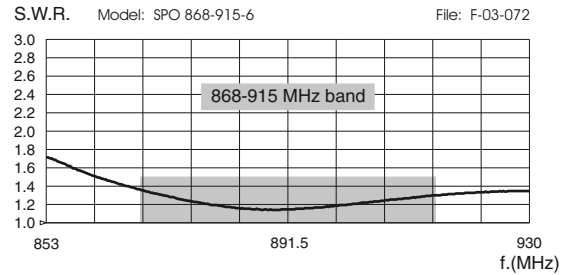


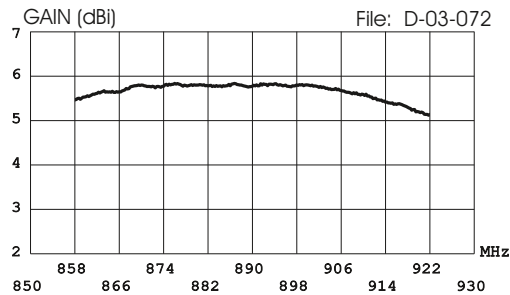
SPO 868-915-6

Base Station Antenna ISM LoRa 868 MHz & 915 MHz bands

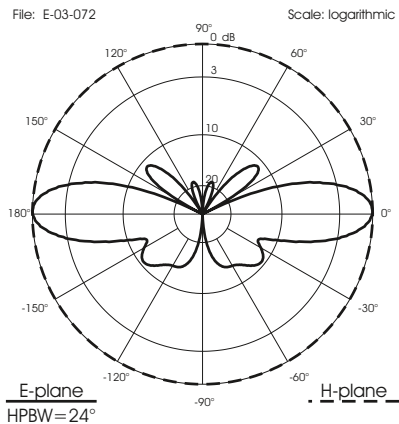
TYPICAL S.W.R. RESPONSE



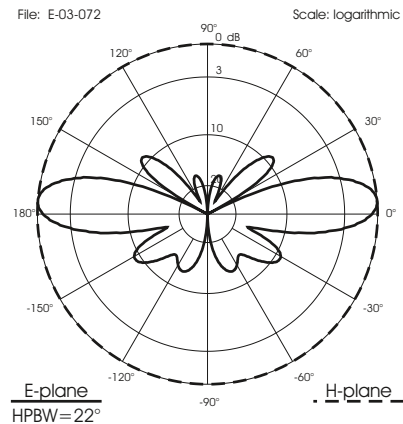
TYPICAL GAIN DIAGRAM vs FREQUENCY



TYPICAL RADIATION PATTERN at 868 MHz



TYPICAL RADIATION PATTERN at 915 MHz



DESCRIPTION

Base station antennas conceived for ISM LoRa systems working on 868 MHz & 915 MHz. The radiant colinear dipoles are made of PCB and protected by a strong fiberglass tube. SPO 868-915-6 are available in 2 versions: N-f connector (fitted at the bottom) or supplied with 5m Low Loss cable directly connected and SMA-male (other type on request).

SPECIFICATIONS

	SPO 868-915-6 N-f connector	SPO 868-915-6 cable version
Electrical Data		
Type	3 x 1/2 λ Colinear	
Frequency Range @ SWR ≤ 1.5	868 - 915 MHz	
Impedance	50 Ω	
Antenna detection DC resistance	on request	
Radiation (H-plane)	360° omnidirectional	
Radiation (E-plane) Beamwidth @ -3 dB:	23°	
Radiation angle deg.	0°	
Polarization	Linear Vertical	
Gain	3.7 dBd, 5.8 dBi	
Max Power (CW) @ 30° C	20 Watts	
Cable Type / Length	/	White Low Loss cable / 5m, 16.4 ft
Connector	N-female, gold plated central pin	SMA-male, other type on request
Mechanical Data		
Housing & Radome Material	Fiberglass, PCB, Anodized aluminium, Nickel plated brass	
Bracket & Hardware Material	Aluminium, Stainless steel, Zinc plated steel	
Wind Load @ 150 Km/h, 93 mi/h	36 N	
Wind Resistance	140 Km/h, 87 mi/h	
Wind Surface	0.028 m ² ; 0.3 ft ²	
Height (approx.)	840 mm, 2.75 ft	
Weight (without bracket, approx.)	460 gr, 1.9 lb	560 gr, 2.1 lb
Operating Temperature	-40 °C to +80 °C	
Installation type	Mast: Ø 35-52 mm, Ø 1.4-2.0 inch with U-bolt Wall: mounting screws (not included)	

Version with
N-female
connector

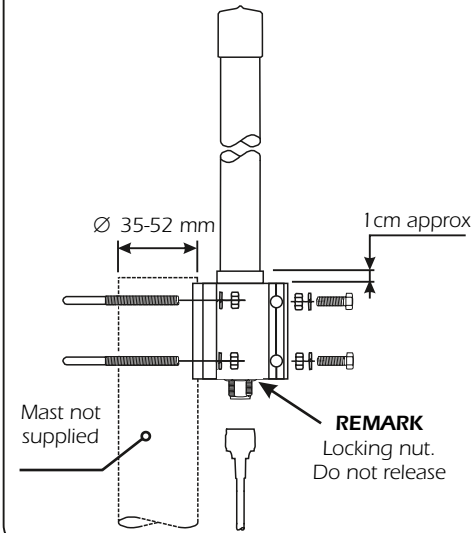


Version with
Low Loss
cable

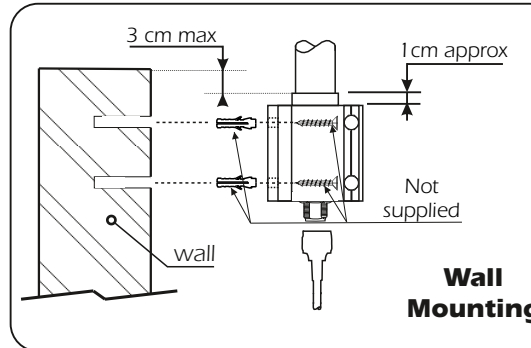
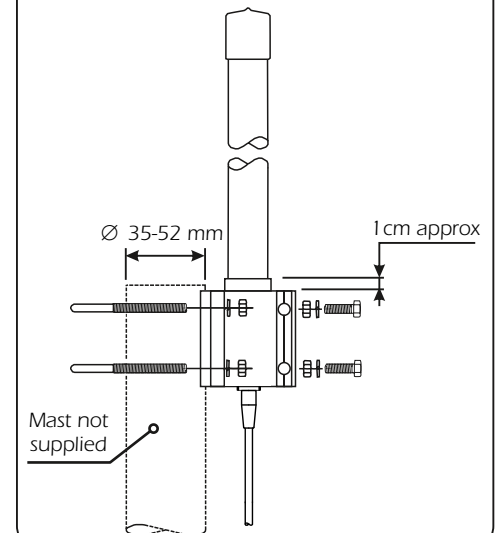


MOUNTING INSTRUCTIONS

SPO 868-915-6

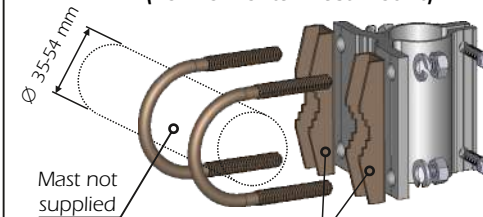


SPO 868-915-6 w/cable



Wall
Mounting

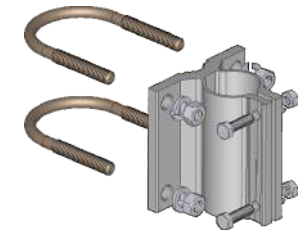
Optional Brackets (For horizontal mast mount)



P/N SA286

Material: zinc plated steel
Dimensions : 2 pcs - 80 x 18 x 16 mm
Weight: 88 gr

Standard Mounting Bracket



Spare parts: P/N SA285

Materials: extruded aluminium
Hardware: stainless & zinc plated steel
Dimensions : 80 x 76 x 65 mm
Weight: 363 gr

Part list

Q.ty	Description
1	Extruded aluminium bracket
2	M8x200 U-bolt
4	M8 Grower washer
4	M8 Hexagonal nut
2	M6x20 Hexagonal head screw
2	M6 Grower washer
2	M6 Hexagonal nut