

AM570x Sitara™ Processors

1 Device Overview

1.1 Features

- Arm® Cortex®-A15 microprocessor subsystem
 - True random number generator
 - DMA support
- C66x floating-point VLIW DSP
 - Fully object-code compatible with C67x and C64x+
- Up to thirty-two 16 × 16-bit fixed-point multiplies per cycle
- Up to 512KB of on-chip L3 RAM
- Level 3 (L3) and Level 4 (L4) interconnects
- DDR3/DDR3L Memory Interface (EMIF) module
 - Supports up to DDR-1333 (667 MHz)
 - Up to 2GB across single chip select
- 2x dual Arm® Cortex®-M4 co-processors (IPU1 and IPU2)
- IVA-HD subsystem
 - 4K @ 15fps encode and decode support for H.264 CODEC
 - Other CODECs are up to 1080p60
- Display subsystem
 - Full-HD video (1920 × 1080p, 60 fps)
 - Multiple video input and video output
 - 2D and 3D graphics
 - Display controller with DMA engine and up to three pipelines
 - HDMI™ encoder: HDMI 1.4a and DVI 1.0 compliant
- 2x dual-core programmable real-time unit and industrial communication subsystem (PRU-ICSS)
- Accelerator (BB2D) subsystem
 - Vivante® GC320 core
- Video Processing Engine (VPE)
- Available single-core PowerVR™ SGX544 3D GPU
- Secure boot support
 - Hardware-enforced root-of-trust
 - Customer programmable keys
 - Support for takeover protection, IP protection, and anti-roll back protection
- Cryptographic acceleration support
 - Supports cryptographic cores
 - AES – 128/192/256-bits key sizes
 - 3DES – 56/112/168-bits key sizes
 - MD5, SHA1
 - SHA2 – 224/256/384/512
- Debug security
 - Secure software controlled debug access
 - Security aware debugging
- Trusted execution environment (TEE) support
 - Arm TrustZone™ based TEE
 - Extensive firewall support for isolation
 - Secure DMA path and interconnect
 - Secure watchdog/timer/IPC
- One Video Input Port (VIP) module
 - Support for up to four multiplexed input ports
- General-Purpose Memory Controller (GPMC)
- Enhanced Direct Memory Access (EDMA) controller
- Ethernet subsystem
- Sixteen 32-bit general-purpose timers
- 32-bit MPU watchdog timer
- Five high-speed inter-integrated circuit (I²C) ports
- HDQ™/ 1-wire® interface
- Ten configurable UART/IrDA/CIR modules
- Four Multichannel Serial Peripheral Interfaces (McSPI)
- Quad SPI Interface (QSPI)
- Eight Multichannel Audio Serial Port (McASP) modules
- SuperSpeed USB 3.0 dual-role device
- High-Speed USB 2.0 dual-role device
- Four MultiMedia Card/Secure Digital/Secure Digital Input Output Interfaces (MMC™/ SD®/SDIO)
- PCI Express® 3.0 subsystem with 5-Gbps lane
 - One 2-lane Gen2-compliant port
 - or two 1-lane Gen2-compliant ports
- Dual Controller Area Network (DCAN) modules
 - CAN 2.0B protocol
- MIPI™ CSI-2 camera serial interface
- Up to 186 General-Purpose I/O (GPIO) pins
- Power, reset, and clock management
- On-chip debug with CTools technology
- 28-nm CMOS technology
- 17 mm × 17 mm, 0.65-mm pitch, 538-pin BGA (CBD)



1.2 Applications

- Industrial communication
- Human Machine Interface (HMI)
- Automation and control
- High performance applications
- Other general use

1.3 Description

AM570x Sitara™ processors are Arm applications processors built to meet the intense processing needs of modern embedded products.

AM570x devices bring high processing performance through the maximum flexibility of a fully integrated mixed processor solution. The devices also combine programmable video processing with a highly integrated peripheral set.

Programmability is provided by a single-core Arm Cortex-A15 RISC CPU with Arm Neon™ extensions and TI C66x VLIW floating-point DSP cores. The Arm processor lets developers keep control functions separate from vision algorithms programmed on the DSP and coprocessors, thus reducing the complexity of the system software.

Additionally, TI provides a complete set of development tools for the Arm and C66x DSP, including C compilers, a DSP assembly optimizer to simplify programming and scheduling, and a debugging interface for visibility into source code execution.

Cryptographic acceleration is available in all devices. All other supported security features, including support for secure boot, debug security and support for trusted execution environment are available on High-Security (HS) devices. For more information about HS devices, contact your TI representative.

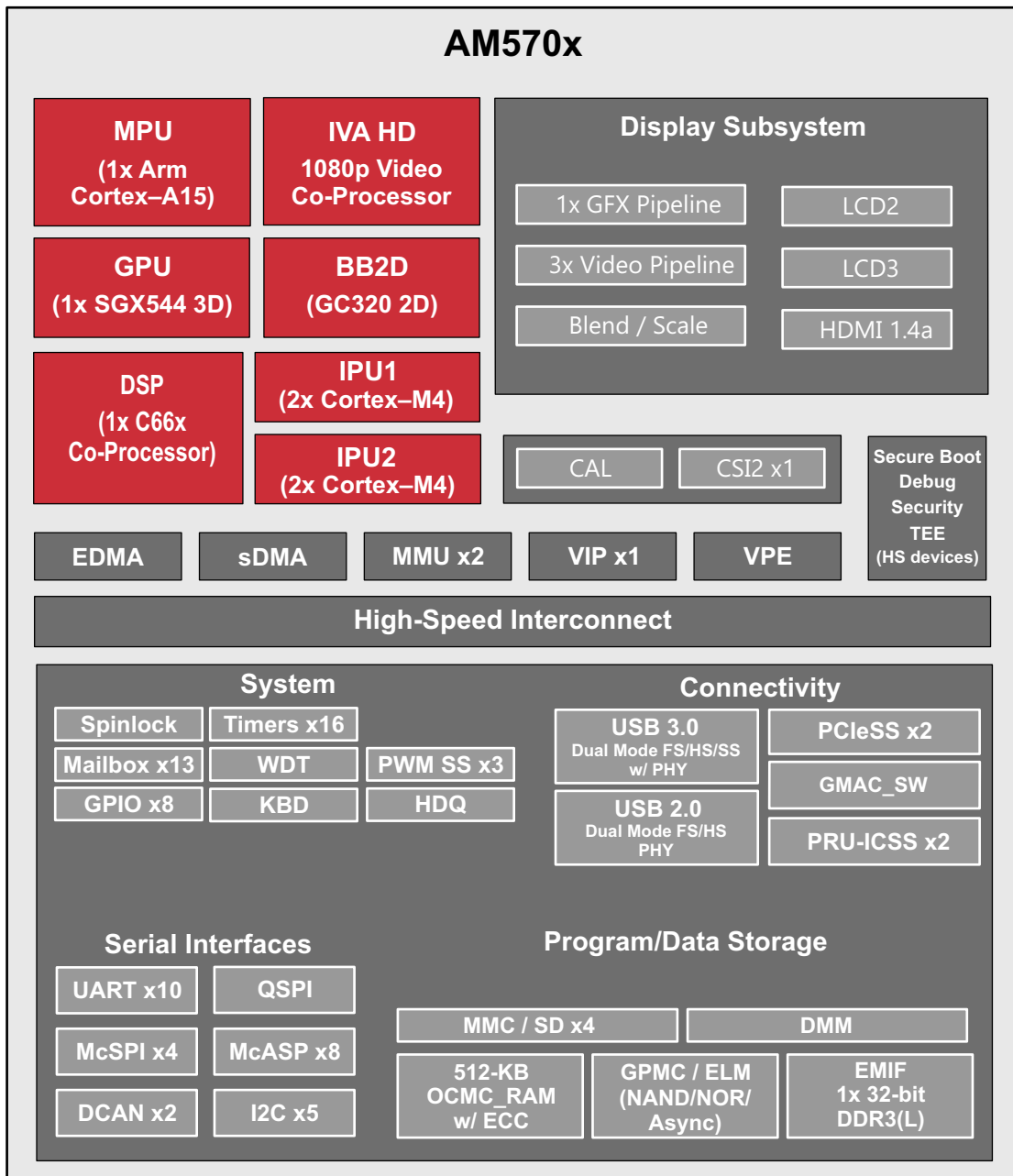
Device Information⁽¹⁾

| PART NUMBER | PACKAGE | BODY SIZE |
|-------------|-------------|-------------------|
| AM5706CBD | FCBGA (538) | 17.0 mm × 17.0 mm |
| AM5708CBD | FCBGA (538) | 17.0 mm × 17.0 mm |

(1) For more information, see [Section 9](#), Mechanical, Packaging, and Orderable Information.

1.4 Functional Block Diagram

Figure 1-1 is functional block diagram for the device.



intro-001

Figure 1-1. AM570x Block Diagram

Table of Contents

| | | | | | |
|----------|--|----------------------------|----------|---|----------------------------|
| 1 | Device Overview | 1 | 6.3 | MPU | 321 |
| 1.1 | Features | 1 | 6.4 | DSP Subsystem | 324 |
| 1.2 | Applications | 2 | 6.5 | PRU-ICSS | 328 |
| 1.3 | Description | 2 | 6.6 | Memory Subsystem | 329 |
| 1.4 | Functional Block Diagram | 3 | 6.7 | Interprocessor Communication | 332 |
| 2 | Revision History | 5 | 6.8 | Interrupt Controller | 333 |
| 3 | Device Comparison | 6 | 6.9 | EDMA | 334 |
| 3.1 | Related Products | 8 | 6.10 | Peripherals | 335 |
| 4 | Terminal Configuration and Functions | 9 | 6.11 | On-chip Debug | 352 |
| 4.1 | Pin Diagram | 9 | 7 | Applications, Implementation, and Layout | 355 |
| 4.2 | Pin Attributes | 9 | 7.1 | Power Supply Mapping | 355 |
| 4.3 | Signal Descriptions | 66 | 7.2 | DDR3 Board Design and Layout Guidelines | 356 |
| 4.4 | Pin Multiplexing | 102 | 7.3 | High Speed Differential Signal Routing Guidance | 379 |
| 4.5 | Connections for Unused Pins | 116 | 7.4 | Power Distribution Network Implementation Guidance | 379 |
| 5 | Specifications | 117 | 7.5 | Thermal Solution Guidance | 379 |
| 5.1 | Absolute Maximum Ratings | 118 | 7.6 | Single-Ended Interfaces | 379 |
| 5.2 | ESD Ratings | 119 | 7.7 | LJCB_REFN/P Connections | 381 |
| 5.3 | Power on Hours (POH) Limits | 119 | 7.8 | Clock Routing Guidelines | 382 |
| 5.4 | Recommended Operating Conditions | 119 | 8 | Device and Documentation Support | 383 |
| 5.5 | Operating Performance Points | 122 | 8.1 | Device Nomenclature | 383 |
| 5.6 | Power Consumption Summary | 142 | 8.2 | Tools and Software | 385 |
| 5.7 | Electrical Characteristics | 142 | 8.3 | Documentation Support | 386 |
| 5.8 | VPP Specifications for One-Time Programmable (OTP) eFuses | 150 | 8.4 | Related Links | 386 |
| 5.9 | Thermal Resistance Characteristics for CBD Package | 151 | 8.5 | Support Resources | 386 |
| 5.10 | Timing Requirements and Switching Characteristics | 152 | 8.6 | Trademarks | 386 |
| 6 | Detailed Description | 319 | 8.7 | Electrostatic Discharge Caution | 387 |
| 6.1 | Description | 319 | 8.8 | Glossary | 387 |
| 6.2 | Functional Block Diagram | 319 | 9 | Mechanical, Packaging, and Orderable Information | 388 |
| | | | 9.1 | Packaging Information | 388 |

2 Revision History

| Changes from May 16, 2019 to November 15, 2019 (from E Revision (May 2019) to F Revision) | Page |
|--|--------------------|
| • Added reminders to disable unused pulls and RX pads in Section 4.2, Pin Attributes | 10 |

3 Device Comparison

Table 3-1 shows a comparison between devices, highlighting the differences.

Table 3-1. Device Comparison

| FEATURES | | DEVICE | |
|---|------------|------------------------------|------------------------------|
| | | AM5708 | AM5706 |
| Features | | | |
| CTRL_WKUP_STD_FUSE_DIE_ID_2[31:24] Base PN register bitfield value ⁽²⁾ | | AM5708: 142 (0x8E) | AM5706: 140 (0x8C) |
| | | AM5708-E: 143 (0x8F) | AM5706-E: 141 (0x8D) |
| Processors/Accelerators | | | |
| Speed Grades | | J | D, J |
| Arm Single Cortex-A15 Microprocessor (MPU) Subsystem | MPU core 0 | Yes | |
| C66x VLIW DSP | DSP1 | Yes | |
| BitBLT 2D Hardware Acceleration Engine (BB2D) | BB2D | Yes | Not Supported ⁽¹⁾ |
| Display Subsystem | VOUT1 | Not Supported ⁽¹⁾ | |
| | VOUT2 | Yes | Not Supported ⁽¹⁾ |
| | VOUT3 | Yes | Not Supported ⁽¹⁾ |
| | HDMI | Yes | Not Supported ⁽¹⁾ |
| Arm Dual Cortex-M4 Image Processing Unit (IPU) | IPU1 | Yes | |
| | IPU2 | Yes | |
| Image Video Accelerator (IVA) | IVA | Yes | Not Supported ⁽¹⁾ |
| SGX544 Single-Core 3D Graphics Processing Unit (GPU) | GPU | Yes | Not Supported ⁽¹⁾ |
| Video Input Port (VIP) | VIP1 | vin1a | Yes |
| | | vin1b | Yes |
| | | vin2a | Yes |
| | | vin2b | Yes |
| Video Processing Engine (VPE) | VPE | Yes | |
| Program/Data Storage | | | |
| On-Chip Shared Memory (RAM) | OCMC_RAM1 | 512KB | |
| General-Purpose Memory Controller (GPMC) | GPMC | Yes | |
| DDR3/DDR3L Memory Controller | EMIF1 | up to 2GB | |
| Dynamic Memory Manager (DMM) | DMM | Yes | |
| Radio Support | | | |
| Audio Tracking Logic (ATL) | ATL | Not Supported ⁽¹⁾ | |
| Viterbi Coprocessor (VCP) | VCP1 | Not Supported ⁽¹⁾ | |
| | VCP2 | Not Supported ⁽¹⁾ | |
| Peripherals | | | |
| Controller Area Network (DCAN) Interface | DCAN1 | Yes | |
| | DCAN2 | Yes | |
| Enhanced DMA (EDMA) | EDMA | Yes | |
| System DMA (DMA_SYSTEM) | DMA_SYSTEM | Yes | |
| Ethernet Subsystem (Ethernet SS) | GMAC_SW[0] | MII, RMII, or RGMII | |
| | GMAC_SW[1] | MII, RMII, or RGMII | |
| General-Purpose I/O (GPIO) | GPIO | Up to 186 | |
| Inter-Integrated Circuit Interface (I ² C) | I2C | 5 | |
| System Mailbox Module | MAILBOX | 13 | |
| Media Local Bus Subsystem (MLBSS) | MLB | Not Supported ⁽¹⁾ | |

Table 3-1. Device Comparison (continued)

| FEATURES | | DEVICE | |
|--|---|---|--------|
| | | AM5708 | AM5706 |
| Camera Adaptation Layer (CAL) Camera Serial Interface 2 (CSI2) | CSI2_0 | 1 CLK + 2 Data | |
| | CSI2_1 | Not Supported ⁽¹⁾ | |
| Multichannel Audio Serial Port (McASP) | McASP1 | 16 serializers | |
| | McASP2 | 16 serializers | |
| | McASP3 | 4 serializers | |
| | McASP4 | 4 serializers | |
| | McASP5 | 4 serializers | |
| | McASP6 | 4 serializers | |
| | McASP7 | 4 serializers | |
| | McASP8 | 2 serializers | |
| MultiMedia Card/Secure Digital/Secure Digital Input Output Interface (MMC/SD/SDIO) | MMC1 | 1x UHSI 4b | |
| | MMC2 | 1x eMMC 8b | |
| | MMC3 | 1x SDIO 8b | |
| | MMC4 | 1x SDIO 4b | |
| PCI Express 3.0 Port with Integrated PHY | PCle_SS1 | Up to two lanes (second lane shared with PCle_SS2 and USB1) | |
| | PCle_SS2 | Single lane (shared with PCle_SS1 and USB1) | |
| 2x Programmable Real-Time Unit Subsystem and Industrial Communication Subsystem (PRU-ICSS) | PRU-ICSS1 | Yes | |
| | PRU-ICSS2 | Yes | |
| Serial Advanced Technology Attachment (SATA) | SATA | Not Supported ⁽¹⁾ | |
| Real-Time Clock Subsystem (RTCSS) | RTCSS | Not Supported ⁽¹⁾ | |
| Multichannel Serial Peripheral Interface (McSPI) | McSPI | 4 | |
| HDQ1W | HDQ1W | Yes | |
| Quad SPI (QSPI) | QSPI | Yes | |
| Spinlock Module | SPINLOCK | Yes | |
| Keyboard Controller (KBD) | KBD | Yes | |
| Timers, General-Purpose | TIMERS GP | 16 | |
| Timer, Watchdog | WD TIMER | Yes | |
| Pulse-Width Modulation Subsystem (PWMSS) | PWMSS1 | Yes | |
| | PWMSS2 | Yes | |
| | PWMSS3 | Yes | |
| Universal Asynchronous Receiver/Transmitter (UART) | UART | 10 | |
| Universal Serial Bus (USB3.0) | USB1 (Super-Speed, Dual-Role-Device [DRD]) | Yes | |
| Universal Serial Bus (USB2.0) | USB2 (High-Speed, Dual-Role-Device [DRD], with embedded HS PHY) | Yes | |
| | USB3 (High-Speed, OTG2.0, with ULPI) | Not Supported ⁽¹⁾ | |
| | USB4 (High-Speed, OTG2.0, with ULPI) | Not Supported ⁽¹⁾ | |

(1) Features noted as “not supported,” must not be used. Their functionality is not supported by TI for this family of devices. These features are subject to removal without notice on future device revisions. Any information regarding the unsupported features has been retained in the documentation solely for the purpose of clarifying signal names or for consistency with previous feature descriptions.

(2) For more details about the CTRL_WKUP_STD_FUSE_DIE_ID_2 register and Base PN bitfield, see the device TRM.

3.1 Related Products

Sitara Processors Scalable processors based on Arm® Cortex®-A cores with flexible peripherals, connectivity & unified software support – perfect for sensors to servers.

TI's Arm Cortex-A15 Advantage The Arm Cortex-A15 processor is proven in a range of different markets and is an increasingly popular choice in networking infrastructure, delivering high-performance processing capability combined with low power consumption. The Cortex-A15 processor delivers roughly twice the performance of the Cortex-A9 processor and can achieve 3.5 DMIPS/MHz.

Sitara Applications Sitara™ processors provide scalable solutions for a wide range of applications from HMI and gateways to more complex equipment such as drives and substation automation equipment. Sitara Arm® processors offer scalability and reliability as well as multi-protocol support for industrial communication protocols such as EtherCAT, Ethernet/IP and Profinet.

Reference Designs TI provides many reference designs containing 'building block' solutions to enable customers to rapidly development of their unique products and solutions.

Companion Products for AM570x Review products that are frequently purchased or used in conjunction with this product.

4 Terminal Configuration and Functions

4.1 Pin Diagram

Figure 4-1 shows the ball locations for the 538 plastic ball grid array (PBGA) package and is used in conjunction with Table 4-1 through Table 4-30 to locate signal names and ball grid numbers.

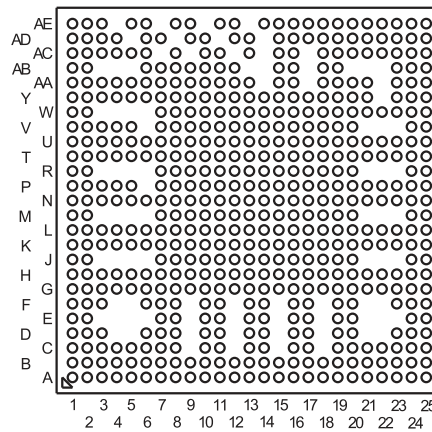


Figure 4-1. CBD S-PBGA-N538 Package (Bottom View)

NOTE

The following bottom balls are not pinned out: AE4 / AE7 / AE10 / AE13 / AD5 / AD8 / AD11 / AD14 / AC7 / AC9 / AC12 / AC14 / AC17 / AB3 / AB4 / AB5 / AB13 / AB14 / AB17 / AB20 / AB21 / AB22 / AA14 / AA17 / AA22 / Y22 / W3 / W4 / W5 / W6 / V6 / V21 / V22 / V23 / R3 / R4 / R5 / R6 / R21 / R22 / R23 / P6 / M3 / M4 / M5 / M6 / M21 / M22 / M23 / J3 / J4 / J5 / J6 / J21 / J22 / J23 / F4 / F5 / F9 / F12 / F15 / F18 / F21 / F22 / E3 / E4 / E5 / E6 / E9 / E12 / E15 / E18 / E21 / E22 / E23 / D4 / D5 / D9 / D12 / D15 / D18 / D21 / D22 / C9 / C12 / C15 / C18.

These balls do not exist on the package.

4.2 Pin Attributes

Table 4-1 describes the terminal characteristics and the signals multiplexed on each ball. The following list describes the table column headers:

1. **BALL NUMBER:**This column lists ball numbers on the bottom side associated with each signal on the bottom.
2. **BALL NAME:** This column lists mechanical name from package device (name is taken from muxmode 0).
3. **SIGNAL NAME:**This column lists names of signals multiplexed on each ball (also notice that the name of the ball is the signal name in muxmode 0).

NOTE

Table 4-1 does not take into account the subsystem multiplexing signals. Subsystem multiplexing signals are described in Section 4.3, *Signal Descriptions*.

NOTE

In driver off mode, the buffer is configured in high-impedance.

NOTE

In some cases [Table 4-1](#) may present more than one signal name per muxmode for the same ball. First signal in the list is the dominant function as selected via CTRL_CORE_PAD_* register.

All other signals are virtual functions that present alternate multiplexing options. This virtual functions are controlled via CTRL_CORE_ALT_SELECT_MUX or CTRL_CORE_VIP_MUX_SELECT register. For more information on how to use this options, please refer to Device TRM, Chapter *Control Module*, Section *Pad Configuration Registers*.

4. **PN:** This column shows if the functionality is applicable for **AM5706** device. Note that the Pin Attributes table presents a functionality of super set. If the cell is empty it means that the signal is available in all devices.
- **Yes** - Functionality is presented in **AM5706**
 - **No** - Functionality is not presented in **AM5706**
- An empty box means Yes.
5. **MUXMODE:** Multiplexing mode number:
- a. MUXMODE 0 is the primary mode; this means that when MUXMODE=0 is set, the function mapped on the pin corresponds to the name of the pin. The primary muxmode is not necessarily the default muxmode.

NOTE

The default mode is the mode at the release of the reset; also see the RESET_REL.MUXMODE column.

- b. MUXMODE 1 through 15 are possible muxmodes for alternate functions. On each pin, some muxmodes are effectively used for alternate functions, while some muxmodes are not used. Only MUXMODE values which correspond to defined functions should be used.
 - c. An empty box means Not Applicable.
6. **TYPE:** Signal type and direction:
- I = Input
 - O = Output
 - IO = Input or Output
 - D = Open drain
 - DS = Differential Signaling
 - A = Analog
 - PWR = Power
 - GND = Ground
 - CAP = LDO Capacitor

NOTE

The RX buffer within the pad logic should be disabled on all pins that are not being used as an input. For more information, see the *Control Module / Control Module Functional Description / PAD Functional Multiplexing and Configuration* section in the device TRM.

7. **BALL RESET STATE:** The state of the terminal at power-on reset:
- drive 0 (OFF): The buffer drives V_{OL} (pulldown or pullup resistor not activated)
 - drive 1 (OFF): The buffer drives V_{OH} (pulldown or pullup resistor not activated)
 - OFF: High-impedance
 - PD: High-impedance with an active pulldown resistor
 - PU: High-impedance with an active pullup resistor
 - An empty box means Not Applicable

NOTE

Designs that contain pullup or pulldown resistors, either on the board or in attached devices that oppose internal pullup or pulldown resistors, that are active while the device is held in reset, must not remain in reset for long periods of time.

8. **BALL RESET REL. STATE:** The state of the terminal at the deactivation of the rstoutn signal (also mapped to the PRCM SYS_WARM_OUT_RST signal)
- drive 0 (OFF): The buffer drives V_{OL} (pulldown or pullup resistor not activated)
 - drive clk (OFF): The buffer drives a toggling clock (pulldown or pullup resistor not activated)
 - drive 1 (OFF): The buffer drives V_{OH} (pulldown or pullup resistor not activated)
 - OFF: High-impedance
 - PD: High-impedance with an active pulldown resistor
 - PU: High-impedance with an active pullup resistor
 - An empty box means Not Applicable
-

NOTE

For more information on the CORE_PWRON_RET_RST reset signal and its reset sources, see the Power, Reset, and Clock Management / PRCM Reset Management Functional Description section of the Device TRM.

9. **BALL RESET REL. MUXMODE:** This muxmode is automatically configured at the release of the rstoutn signal (also mapped to the PRCM SYS_WARM_OUT_RST signal).
An empty box means Not Applicable.
10. **IO VOLTAGE VALUE:** This column describes the IO voltage value (the corresponding power supply).
An empty box means Not Applicable.
11. **POWER:** The voltage supply that powers the terminal IO buffers.
An empty box means Not Applicable.
12. **HYS:** Indicates if the input buffer is with hysteresis:
- Yes: With hysteresis
 - No: Without hysteresis
 - An empty box: Not Applicable
-

NOTE

For more information, see the hysteresis values in [Section 5.7, Electrical Characteristics](#).

13. **BUFFER TYPE:** Drive strength of the associated output buffer.
An empty box means Not Applicable.
-

NOTE

For programmable buffer strength:

- The default value is given in [Table 4-1](#).
- A note describes all possible values according to the selected muxmode.

14. **PULLUP / PULLDOWN TYPE:** Denotes the presence of an internal pullup or pulldown resistor. Pullup and pulldown resistors can be enabled or disabled via software.
- PU: Internal pullup
 - PD: Internal pulldown
 - PU/PD: Internal pullup and pulldown
 - PUx/PDy: Programmable internal pullup and pulldown
 - PDy: Programmable internal pulldown
 - An empty box means No pull

NOTE

Internal pullup or pulldown resistors must be disabled when opposed by an external pullup or pulldown resistor on the board or within an attached device.

15. **DSIS:** The deselected input state (DSIS) indicates the state driven on the peripheral input (logic "0" or logic "1") when the peripheral pin function is not selected by any of the PINCNTLx registers.
- 0: Logic 0 driven on the peripheral's input signal port.
 - 1: Logic 1 driven on the peripheral's input signal port.
 - blank: Pin state driven on the peripheral's input signal port.
-

NOTE

Configuring two pins to the same input signal is not supported as it can yield unexpected results. This can be easily prevented with the proper software configuration (Hi-Z mode is not an input signal).

NOTE

When a pad is set into a multiplexing mode which is not defined by pin multiplexing, that pad's behavior is undefined. This should be avoided.

NOTE

Some of the EMIF1 signals have an additional state change at the release of porz. The state that the signals change to at the release of porz is as follows:

drive 0 (OFF) for: ddr1_ck, ddr1_odt[0], ddr1_rst.

drive 1 (OFF) for: ddr1_casn, ddr1_rasn, ddr1_wen, ddr1_nck, ddr1_ba[2:0], ddr1_a[15:0], ddr1_csn[0], ddr1_cke, ddr1_dqm[3:0]

Table 4-1. Pin Attributes⁽¹⁾

| BALL NUMBER [1] | BALL NAME [2] | SIGNAL NAME [3] | PN [4] | MUXMODE [5] | TYPE [6] | BALL RESET STATE [7] | BALL RESET REL. STATE [8] | BALL RESET REL. MUXMODE [9] | I/O VOLTAGE VALUE [10] | POWER [11] | HYS [12] | BUFFER TYPE [13] | PULL UP/DOWN TYPE [14] | DSIS [15] |
|-----------------|------------------|------------------|--------|-------------|----------|----------------------|---------------------------|-----------------------------|------------------------|------------|----------|----------------------|------------------------|-----------|
| F8 | cap_vbbldo_dsp | cap_vbbldo_dsp | | | CAP | | | | | | | | | |
| T7 | cap_vbbldo_gpu | cap_vbbldo_gpu | | | CAP | | | | | | | | | |
| G14 | cap_vbbldo_iva | cap_vbbldo_iva | | | CAP | | | | | | | | | |
| F17 | cap_vbbldo_mpu | cap_vbbldo_mpu | | | CAP | | | | | | | | | |
| U20 | cap_vddram_core1 | cap_vddram_core1 | | | CAP | | | | | | | | | |
| K7 | cap_vddram_core3 | cap_vddram_core3 | | | CAP | | | | | | | | | |
| G19 | cap_vddram_core4 | cap_vddram_core4 | | | CAP | | | | | | | | | |
| L7 | cap_vddram_dsp | cap_vddram_dsp | | | CAP | | | | | | | | | |
| V7 | cap_vddram_gpu | cap_vddram_gpu | | | CAP | | | | | | | | | |
| G12 | cap_vddram_iva | cap_vddram_iva | | | CAP | | | | | | | | | |
| G18 | cap_vddram_mpu | cap_vddram_mpu | | | CAP | | | | | | | | | |
| AC1 | csi2_0_dx0 | csi2_0_dx0 | | 0 | I | | | | 1.8 | | Yes | LVC MOS CSI2 | PU/PD | |
| AD1 | csi2_0_dx1 | csi2_0_dx1 | | 0 | I | | | | 1.8 | | Yes | LVC MOS CSI2 | PU/PD | |
| AE2 | csi2_0_dx2 | csi2_0_dx2 | | 0 | I | | | | 1.8 | | Yes | LVC MOS CSI2 | PU/PD | |
| AB2 | csi2_0_dy0 | csi2_0_dy0 | | 0 | I | | | | 1.8 | | Yes | LVC MOS CSI2 | PU/PD | |
| AC2 | csi2_0_dy1 | csi2_0_dy1 | | 0 | I | | | | 1.8 | | Yes | LVC MOS CSI2 | PU/PD | |
| AD2 | csi2_0_dy2 | csi2_0_dy2 | | 0 | I | | | | 1.8 | | Yes | LVC MOS CSI2 | PU/PD | |
| H23 | dcan1_rx | dcan1_rx | | 0 | IO | PU | PU | 15 | 1.8/3.3 | vddshv3 | Yes | Dual Voltage LVC MOS | PU/PD | 1 |
| | | uart8_txd | | 2 | O | | | | | | | | | |
| | | mmc2_sdwp | | 3 | I | | | | | | | | | |
| | | hdmi1_cec | No | 6 | IO | | | | | | | | | |
| | | gpio1_15 | | 14 | IO | | | | | | | | | |
| | | Driver off | | 15 | I | | | | | | | | | |
| H22 | dcan1_tx | dcan1_tx | | 0 | IO | PU | PU | 15 | 1.8/3.3 | vddshv3 | Yes | Dual Voltage LVC MOS | PU/PD | 1 |
| | | uart8_rxd | | 2 | I | | | | | | | | | |
| | | mmc2_sdccl | | 3 | I | | | | | | | | | |
| | | hdmi1_hpd | No | 6 | IO | | | | | | | | | |
| | | gpio1_14 | | 14 | IO | | | | | | | | | |
| | | Driver off | | 15 | I | | | | | | | | | |
| AD16 | ddr1_casn | ddr1_casn | | 0 | O | PU | drive 1 (OFF) | | 1.35/1.5 | vdds_ddr1 | No | LVC MOS DDR | PUx/PDy | |
| AD21 | ddr1_ck | ddr1_ck | | 0 | O | PD | drive 0 (OFF) | | 1.35/1.5 | vdds_ddr1 | No | LVC MOS DDR | PUx/PDy | |

Table 4-1. Pin Attributes⁽¹⁾ (continued)

| BALL NUMBER [1] | BALL NAME [2] | SIGNAL NAME [3] | PN [4] | MUXMODE [5] | TYPE [6] | BALL RESET STATE [7] | BALL RESET REL. STATE [8] | BALL RESET REL. MUXMODE [9] | I/O VOLTAGE VALUE [10] | POWER [11] | HYS [12] | BUFFER TYPE [13] | PULL UP/DOWN TYPE [14] | DSIS [15] |
|-----------------|---------------|-----------------|--------|-------------|----------|----------------------|---------------------------|-----------------------------|------------------------|------------|----------|------------------|------------------------|-----------|
| AB18 | ddr1_cke | ddr1_cke | | 0 | O | PU | drive 1 (OFF) | | 1.35/1.5 | vdds_ddr1 | No | LVC MOS DDR | PUx/PDy | |
| AE21 | ddr1_nck | ddr1_nck | | 0 | O | PU | drive 1 (OFF) | | 1.35/1.5 | vdds_ddr1 | No | LVC MOS DDR | PUx/PDy | |
| AD17 | ddr1_rasn | ddr1_rasn | | 0 | O | PU | drive 1 (OFF) | | 1.35/1.5 | vdds_ddr1 | No | LVC MOS DDR | PUx/PDy | |
| AE17 | ddr1_rst | ddr1_rst | | 0 | O | PD | drive 0 (OFF) | | 1.35/1.5 | vdds_ddr1 | No | LVC MOS DDR | PUx/PDy | |
| AE18 | ddr1_wen | ddr1_wen | | 0 | O | PU | drive 1 (OFF) | | 1.35/1.5 | vdds_ddr1 | No | LVC MOS DDR | PUx/PDy | |
| AC18 | ddr1_a0 | ddr1_a0 | | 0 | O | PD | drive 1 (OFF) | | 1.35/1.5 | vdds_ddr1 | No | LVC MOS DDR | PUx/PDy | |
| AE19 | ddr1_a1 | ddr1_a1 | | 0 | O | PD | drive 1 (OFF) | | 1.35/1.5 | vdds_ddr1 | No | LVC MOS DDR | PUx/PDy | |
| AD19 | ddr1_a2 | ddr1_a2 | | 0 | O | PD | drive 1 (OFF) | | 1.35/1.5 | vdds_ddr1 | No | LVC MOS DDR | PUx/PDy | |
| AB19 | ddr1_a3 | ddr1_a3 | | 0 | O | PD | drive 1 (OFF) | | 1.35/1.5 | vdds_ddr1 | No | LVC MOS DDR | PUx/PDy | |
| AD20 | ddr1_a4 | ddr1_a4 | | 0 | O | PD | drive 1 (OFF) | | 1.35/1.5 | vdds_ddr1 | No | LVC MOS DDR | PUx/PDy | |
| AE20 | ddr1_a5 | ddr1_a5 | | 0 | O | PD | drive 1 (OFF) | | 1.35/1.5 | vdds_ddr1 | No | LVC MOS DDR | PUx/PDy | |
| AA18 | ddr1_a6 | ddr1_a6 | | 0 | O | PD | drive 1 (OFF) | | 1.35/1.5 | vdds_ddr1 | No | LVC MOS DDR | PUx/PDy | |
| AA20 | ddr1_a7 | ddr1_a7 | | 0 | O | PD | drive 1 (OFF) | | 1.35/1.5 | vdds_ddr1 | No | LVC MOS DDR | PUx/PDy | |
| Y21 | ddr1_a8 | ddr1_a8 | | 0 | O | PD | drive 1 (OFF) | | 1.35/1.5 | vdds_ddr1 | No | LVC MOS DDR | PUx/PDy | |
| AC20 | ddr1_a9 | ddr1_a9 | | 0 | O | PD | drive 1 (OFF) | | 1.35/1.5 | vdds_ddr1 | No | LVC MOS DDR | PUx/PDy | |
| AA21 | ddr1_a10 | ddr1_a10 | | 0 | O | PD | drive 1 (OFF) | | 1.35/1.5 | vdds_ddr1 | No | LVC MOS DDR | PUx/PDy | |
| AC21 | ddr1_a11 | ddr1_a11 | | 0 | O | PD | drive 1 (OFF) | | 1.35/1.5 | vdds_ddr1 | No | LVC MOS DDR | PUx/PDy | |
| AC22 | ddr1_a12 | ddr1_a12 | | 0 | O | PD | drive 1 (OFF) | | 1.35/1.5 | vdds_ddr1 | No | LVC MOS DDR | PUx/PDy | |
| AC15 | ddr1_a13 | ddr1_a13 | | 0 | O | PD | drive 1 (OFF) | | 1.35/1.5 | vdds_ddr1 | No | LVC MOS DDR | PUx/PDy | |
| AB15 | ddr1_a14 | ddr1_a14 | | 0 | O | PD | drive 1 (OFF) | | 1.35/1.5 | vdds_ddr1 | No | LVC MOS DDR | PUx/PDy | |
| AC16 | ddr1_a15 | ddr1_a15 | | 0 | O | PD | drive 1 (OFF) | | 1.35/1.5 | vdds_ddr1 | No | LVC MOS DDR | PUx/PDy | |
| AE16 | ddr1_ba0 | ddr1_ba0 | | 0 | O | PU | drive 1 (OFF) | | 1.35/1.5 | vdds_ddr1 | No | LVC MOS DDR | PUx/PDy | |
| AA16 | ddr1_ba1 | ddr1_ba1 | | 0 | O | PU | drive 1 (OFF) | | 1.35/1.5 | vdds_ddr1 | No | LVC MOS DDR | PUx/PDy | |

Table 4-1. Pin Attributes⁽¹⁾ (continued)

| BALL NUMBER [1] | BALL NAME [2] | SIGNAL NAME [3] | PN [4] | MUXMODE [5] | TYPE [6] | BALL RESET STATE [7] | BALL RESET REL. STATE [8] | BALL RESET REL. MUXMODE [9] | I/O VOLTAGE VALUE [10] | POWER [11] | HYS [12] | BUFFER TYPE [13] | PULL UP/DOWN TYPE [14] | DSIS [15] |
|-----------------|---------------|-----------------|--------|-------------|----------|----------------------|---------------------------|-----------------------------|------------------------|------------|----------|------------------|------------------------|-----------|
| AB16 | ddr1_ba2 | ddr1_ba2 | | 0 | O | PU | drive 1 (OFF) | | 1.35/1.5 | vdds_ddr1 | No | LVC MOS DDR | PUx/PDy | |
| AC19 | ddr1_csn0 | ddr1_csn0 | | 0 | O | PU | drive 1 (OFF) | | 1.35/1.5 | vdds_ddr1 | No | LVC MOS DDR | PUx/PDy | |
| AA23 | ddr1_d0 | ddr1_d0 | | 0 | IO | PD | PD | | 1.35/1.5 | vdds_ddr1 | No | LVC MOS DDR | PUx/PDy | |
| AC24 | ddr1_d1 | ddr1_d1 | | 0 | IO | PD | PD | | 1.35/1.5 | vdds_ddr1 | No | LVC MOS DDR | PUx/PDy | |
| AB24 | ddr1_d2 | ddr1_d2 | | 0 | IO | PD | PD | | 1.35/1.5 | vdds_ddr1 | No | LVC MOS DDR | PUx/PDy | |
| AD24 | ddr1_d3 | ddr1_d3 | | 0 | IO | PD | PD | | 1.35/1.5 | vdds_ddr1 | No | LVC MOS DDR | PUx/PDy | |
| AB23 | ddr1_d4 | ddr1_d4 | | 0 | IO | PD | PD | | 1.35/1.5 | vdds_ddr1 | No | LVC MOS DDR | PUx/PDy | |
| AC23 | ddr1_d5 | ddr1_d5 | | 0 | IO | PD | PD | | 1.35/1.5 | vdds_ddr1 | No | LVC MOS DDR | PUx/PDy | |
| AD23 | ddr1_d6 | ddr1_d6 | | 0 | IO | PD | PD | | 1.35/1.5 | vdds_ddr1 | No | LVC MOS DDR | PUx/PDy | |
| AE24 | ddr1_d7 | ddr1_d7 | | 0 | IO | PD | PD | | 1.35/1.5 | vdds_ddr1 | No | LVC MOS DDR | PUx/PDy | |
| AA24 | ddr1_d8 | ddr1_d8 | | 0 | IO | PD | PD | | 1.35/1.5 | vdds_ddr1 | No | LVC MOS DDR | PUx/PDy | |
| W25 | ddr1_d9 | ddr1_d9 | | 0 | IO | PD | PD | | 1.35/1.5 | vdds_ddr1 | No | LVC MOS DDR | PUx/PDy | |
| Y23 | ddr1_d10 | ddr1_d10 | | 0 | IO | PD | PD | | 1.35/1.5 | vdds_ddr1 | No | LVC MOS DDR | PUx/PDy | |
| AD25 | ddr1_d11 | ddr1_d11 | | 0 | IO | PD | PD | | 1.35/1.5 | vdds_ddr1 | No | LVC MOS DDR | PUx/PDy | |
| AC25 | ddr1_d12 | ddr1_d12 | | 0 | IO | PD | PD | | 1.35/1.5 | vdds_ddr1 | No | LVC MOS DDR | PUx/PDy | |
| AB25 | ddr1_d13 | ddr1_d13 | | 0 | IO | PD | PD | | 1.35/1.5 | vdds_ddr1 | No | LVC MOS DDR | PUx/PDy | |
| AA25 | ddr1_d14 | ddr1_d14 | | 0 | IO | PD | PD | | 1.35/1.5 | vdds_ddr1 | No | LVC MOS DDR | PUx/PDy | |
| W24 | ddr1_d15 | ddr1_d15 | | 0 | IO | PD | PD | | 1.35/1.5 | vdds_ddr1 | No | LVC MOS DDR | PUx/PDy | |
| W23 | ddr1_d16 | ddr1_d16 | | 0 | IO | PD | PD | | 1.35/1.5 | vdds_ddr1 | No | LVC MOS DDR | PUx/PDy | |
| U25 | ddr1_d17 | ddr1_d17 | | 0 | IO | PD | PD | | 1.35/1.5 | vdds_ddr1 | No | LVC MOS DDR | PUx/PDy | |
| U24 | ddr1_d18 | ddr1_d18 | | 0 | IO | PD | PD | | 1.35/1.5 | vdds_ddr1 | No | LVC MOS DDR | PUx/PDy | |
| W21 | ddr1_d19 | ddr1_d19 | | 0 | IO | PD | PD | | 1.35/1.5 | vdds_ddr1 | No | LVC MOS DDR | PUx/PDy | |
| T22 | ddr1_d20 | ddr1_d20 | | 0 | IO | PD | PD | | 1.35/1.5 | vdds_ddr1 | No | LVC MOS DDR | PUx/PDy | |

Table 4-1. Pin Attributes⁽¹⁾ (continued)

| BALL NUMBER [1] | BALL NAME [2] | SIGNAL NAME [3] | PN [4] | MUXMODE [5] | TYPE [6] | BALL RESET STATE [7] | BALL RESET REL. STATE [8] | BALL RESET REL. MUXMODE [9] | I/O VOLTAGE VALUE [10] | POWER [11] | HYS [12] | BUFFER TYPE [13] | PULL UP/DOWN TYPE [14] | DSIS [15] |
|-----------------|---------------|-----------------|--------|-------------|----------|----------------------|---------------------------|-----------------------------|------------------------|------------|----------|------------------|------------------------|-----------|
| U22 | ddr1_d21 | ddr1_d21 | | 0 | IO | PD | PD | | 1.35/1.5 | vdds_ddr1 | No | LVC MOS DDR | PUx/PDy | |
| U23 | ddr1_d22 | ddr1_d22 | | 0 | IO | PD | PD | | 1.35/1.5 | vdds_ddr1 | No | LVC MOS DDR | PUx/PDy | |
| T21 | ddr1_d23 | ddr1_d23 | | 0 | IO | PD | PD | | 1.35/1.5 | vdds_ddr1 | No | LVC MOS DDR | PUx/PDy | |
| T23 | ddr1_d24 | ddr1_d24 | | 0 | IO | PD | PD | | 1.35/1.5 | vdds_ddr1 | No | LVC MOS DDR | PUx/PDy | |
| T25 | ddr1_d25 | ddr1_d25 | | 0 | IO | PD | PD | | 1.35/1.5 | vdds_ddr1 | No | LVC MOS DDR | PUx/PDy | |
| T24 | ddr1_d26 | ddr1_d26 | | 0 | IO | PD | PD | | 1.35/1.5 | vdds_ddr1 | No | LVC MOS DDR | PUx/PDy | |
| P21 | ddr1_d27 | ddr1_d27 | | 0 | IO | PD | PD | | 1.35/1.5 | vdds_ddr1 | No | LVC MOS DDR | PUx/PDy | |
| N21 | ddr1_d28 | ddr1_d28 | | 0 | IO | PD | PD | | 1.35/1.5 | vdds_ddr1 | No | LVC MOS DDR | PUx/PDy | |
| P22 | ddr1_d29 | ddr1_d29 | | 0 | IO | PD | PD | | 1.35/1.5 | vdds_ddr1 | No | LVC MOS DDR | PUx/PDy | |
| P23 | ddr1_d30 | ddr1_d30 | | 0 | IO | PD | PD | | 1.35/1.5 | vdds_ddr1 | No | LVC MOS DDR | PUx/PDy | |
| P24 | ddr1_d31 | ddr1_d31 | | 0 | IO | PD | PD | | 1.35/1.5 | vdds_ddr1 | No | LVC MOS DDR | PUx/PDy | |
| AE23 | ddr1_dqm0 | ddr1_dqm0 | | 0 | O | PU | drive 1 (OFF) | | 1.35/1.5 | vdds_ddr1 | No | LVC MOS DDR | PUx/PDy | |
| W22 | ddr1_dqm1 | ddr1_dqm1 | | 0 | O | PU | drive 1 (OFF) | | 1.35/1.5 | vdds_ddr1 | No | LVC MOS DDR | PUx/PDy | |
| U21 | ddr1_dqm2 | ddr1_dqm2 | | 0 | O | PU | drive 1 (OFF) | | 1.35/1.5 | vdds_ddr1 | No | LVC MOS DDR | PUx/PDy | |
| P25 | ddr1_dqm3 | ddr1_dqm3 | | 0 | O | PU | drive 1 (OFF) | | 1.35/1.5 | vdds_ddr1 | No | LVC MOS DDR | PUx/PDy | |
| AD22 | ddr1_dqs0 | ddr1_dqs0 | | 0 | IO | PD | PD | | 1.35/1.5 | vdds_ddr1 | | LVC MOS DDR | PUx/PDy | |
| Y24 | ddr1_dqs1 | ddr1_dqs1 | | 0 | IO | PD | PD | | 1.35/1.5 | vdds_ddr1 | | LVC MOS DDR | PUx/PDy | |
| V24 | ddr1_dqs2 | ddr1_dqs2 | | 0 | IO | PD | PD | | 1.35/1.5 | vdds_ddr1 | | LVC MOS DDR | PUx/PDy | |
| R24 | ddr1_dqs3 | ddr1_dqs3 | | 0 | IO | PD | PD | | 1.35/1.5 | vdds_ddr1 | | LVC MOS DDR | PUx/PDy | |
| AE22 | ddr1_dqsn0 | ddr1_dqsn0 | | 0 | IO | PU | PU | | 1.35/1.5 | vdds_ddr1 | | LVC MOS DDR | PUx/PDy | |
| Y25 | ddr1_dqsn1 | ddr1_dqsn1 | | 0 | IO | PU | PU | | 1.35/1.5 | vdds_ddr1 | | LVC MOS DDR | PUx/PDy | |
| V25 | ddr1_dqsn2 | ddr1_dqsn2 | | 0 | IO | PU | PU | | 1.35/1.5 | vdds_ddr1 | | LVC MOS DDR | PUx/PDy | |
| R25 | ddr1_dqsn3 | ddr1_dqsn3 | | 0 | IO | PU | PU | | 1.35/1.5 | vdds_ddr1 | | LVC MOS DDR | PUx/PDy | |

Table 4-1. Pin Attributes⁽¹⁾ (continued)

| BALL NUMBER [1] | BALL NAME [2] | SIGNAL NAME [3] | PN [4] | MUXMODE [5] | TYPE [6] | BALL RESET STATE [7] | BALL RESET REL. STATE [8] | BALL RESET REL. MUXMODE [9] | I/O VOLTAGE VALUE [10] | POWER [11] | HYS [12] | BUFFER TYPE [13] | PULL UP/DOWN TYPE [14] | DSIS [15] | |
|-----------------|---------------|-----------------|--------|-------------|----------|----------------------|---------------------------|-----------------------------|------------------------|------------|----------|----------------------|------------------------|-----------|---|
| AD18 | ddr1_odt0 | ddr1_odt0 | | 0 | O | PD | drive 0 (OFF) | | 1.35/1.5 | vdds_ddr1 | No | LVC MOS DDR | PUx/PDy | | |
| Y20 | ddr1_vref0 | ddr1_vref0 | | 0 | PWR | OFF | drive 1 (OFF) | | 1.35/1.5 | vdds_ddr1 | No | LVC MOS DDR | | | |
| C21 | emu0 | emu0 | | 0 | IO | PU | PU | 0 | 1.8/3.3 | vddshv3 | Yes | Dual Voltage LVC MOS | PU/PD | | |
| | | gpio8_30 | | 14 | IO | | | | | | | | | | |
| C22 | emu1 | emu1 | | 0 | IO | PU | PU | 0 | 1.8/3.3 | vddshv3 | Yes | Dual Voltage LVC MOS | PU/PD | | |
| | | gpio8_31 | | 14 | IO | | | | | | | | | | |
| E14 | emu2 | emu2 | | 2 | O | PD | PD | 15 | 1.8/3.3 | vddshv3 | Yes | Dual Voltage LVC MOS | PU/PD | | |
| F14 | emu3 | emu3 | | 2 | O | PD | PD | 15 | 1.8/3.3 | vddshv3 | Yes | Dual Voltage LVC MOS | PU/PD | | |
| F13 | emu4 | emu4 | | 2 | O | PD | PD | 15 | 1.8/3.3 | vddshv3 | Yes | Dual Voltage LVC MOS | PU/PD | | |
| Y5 | gpio6_10 | gpio6_10 | | 0 | IO | PU | PU | 15 | 1.8/3.3 | vddshv7 | Yes | Dual Voltage LVC MOS | PU/PD | | |
| | | mdio_mclk | | 1 | O | | | | | | | | | 1 | |
| | | i2c3_sda | | 2 | IO | | | | | | | | | | 1 |
| | | vin2b_hsync1 | | 4 | I | | | | | | | | | | |
| | | vin1a_clk0 | | 9 | I | | | | | | | | | | 0 |
| | | ehrpwm2A | | 10 | O | | | | | | | | | | |
| | | pr2_mii_mt1_clk | | 11 | I | | | | | | | | | | 0 |
| | | pr2_pru0_gpi0 | | 12 | I | | | | | | | | | | |
| | | pr2_pru0_gpo0 | | 13 | O | | | | | | | | | | |
| | | Driver off | | 15 | I | | | | | | | | | | |
| Y6 | gpio6_11 | gpio6_11 | | 0 | IO | PU | PU | 15 | 1.8/3.3 | vddshv7 | Yes | Dual Voltage LVC MOS | PU/PD | | |
| | | mdio_d | | 1 | IO | | | | | | | | | | 1 |
| | | i2c3_scl | | 2 | IO | | | | | | | | | | 1 |
| | | vin2b_vsync1 | | 4 | I | | | | | | | | | | |
| | | vin1a_de0 | | 9 | I | | | | | | | | | | 0 |
| | | ehrpwm2B | | 10 | O | | | | | | | | | | |
| | | pr2_mii1_txen | | 11 | O | | | | | | | | | | |
| | | pr2_pru0_gpi1 | | 12 | I | | | | | | | | | | |
| | | pr2_pru0_gpo1 | | 13 | O | | | | | | | | | | |
| | | Driver off | | 15 | I | | | | | | | | | | |

Table 4-1. Pin Attributes⁽¹⁾ (continued)

| BALL NUMBER [1] | BALL NAME [2] | SIGNAL NAME [3] | PN [4] | MUXMODE [5] | TYPE [6] | BALL RESET STATE [7] | BALL RESET REL. STATE [8] | BALL RESET REL. MUXMODE [9] | I/O VOLTAGE VALUE [10] | POWER [11] | HYS [12] | BUFFER TYPE [13] | PULL UP/DOWN TYPE [14] | DSIS [15] |
|-----------------|---------------|-----------------|--------|-------------|----------|----------------------|---------------------------|-----------------------------|------------------------|------------|----------|---------------------|------------------------|-----------|
| H21 | gpio6_14 | gpio6_14 | | 0 | IO | PU | PU | 15 | 1.8/3.3 | vddshv3 | Yes | Dual Voltage LVCMOS | PU/PD | |
| | | mcasp1_axr8 | | 1 | IO | | | | | | | | | 0 |
| | | dcan2_tx | | 2 | IO | | | | | | | | | 1 |
| | | uart10_rxd | | 3 | I | | | | | | | | | 1 |
| | | i2c3_sda | | 9 | IO | | | | | | | | | 1 |
| | | timer1 | | 10 | IO | | | | | | | | | |
| | | gpio6_14 | | 14 | IO | | | | | | | | | |
| | | Driver off | | 15 | I | | | | | | | | | |
| K22 | gpio6_15 | gpio6_15 | | 0 | IO | PU | PU | 15 | 1.8/3.3 | vddshv3 | Yes | Dual Voltage LVCMOS | PU/PD | |
| | | mcasp1_axr9 | | 1 | IO | | | | | | | | | 0 |
| | | dcan2_rx | | 2 | IO | | | | | | | | | 1 |
| | | uart10_txd | | 3 | O | | | | | | | | | |
| | | i2c3_scl | | 9 | IO | | | | | | | | | 1 |
| | | timer2 | | 10 | IO | | | | | | | | | |
| | | gpio6_15 | | 14 | IO | | | | | | | | | |
| | | Driver off | | 15 | I | | | | | | | | | |
| K23 | gpio6_16 | gpio6_16 | | 0 | IO | PU | PU | 15 | 1.8/3.3 | vddshv3 | Yes | Dual Voltage LVCMOS | PU/PD | |
| | | mcasp1_axr10 | | 1 | IO | | | | | | | | | 0 |
| | | clkout1 | | 9 | O | | | | | | | | | |
| | | timer3 | | 10 | IO | | | | | | | | | |
| | | gpio6_16 | | 14 | IO | | | | | | | | | |
| | | Driver off | | 15 | I | | | | | | | | | |
| M1 | gpmc_a0 | gpmc_a0 | | 0 | O | PD | PD | 15 | 1.8/3.3 | vddshv10 | Yes | Dual Voltage LVCMOS | PU/PD | |
| | | vin1a_d16 | | 2 | I | | | | | | | | | 0 |
| | | vout3_d16 | No | 3 | O | | | | | | | | | |
| | | vin1b_d0 | | 6 | I | | | | | | | | | 0 |
| | | i2c4_scl | | 7 | IO | | | | | | | | | 1 |
| | | uart5_rxd | | 8 | I | | | | | | | | | 1 |
| | | gpio7_3 | | 14 | IO | | | | | | | | | |
| | | gpmc_a26 | | | | | | | | | | | | |
| | | gpmc_a16 | | | | | | | | | | | | |
| Driver off | | 15 | I | | | | | | | | | | | |

Table 4-1. Pin Attributes⁽¹⁾ (continued)

| BALL NUMBER [1] | BALL NAME [2] | SIGNAL NAME [3] | PN [4] | MUXMODE [5] | TYPE [6] | BALL RESET STATE [7] | BALL RESET REL. STATE [8] | BALL RESET REL. MUXMODE [9] | I/O VOLTAGE VALUE [10] | POWER [11] | HYS [12] | BUFFER TYPE [13] | PULL UP/DOWN TYPE [14] | DSIS [15] |
|-----------------|---------------|-----------------|--------|-------------|----------|----------------------|---------------------------|-----------------------------|------------------------|------------|----------|---------------------|------------------------|-----------|
| M2 | gpmc_a1 | gpmc_a1 | | 0 | O | PD | PD | 15 | 1.8/3.3 | vddshv10 | Yes | Dual Voltage LVCMOS | PU/PD | |
| | | vin1a_d17 | | 2 | I | | | | | | | | | 0 |
| | | vout3_d17 | No | 3 | O | | | | | | | | | |
| | | vin1b_d1 | | 6 | I | | | | | | | | | 0 |
| | | i2c4_sda | | 7 | IO | | | | | | | | | 1 |
| | | uart5_txd | | 8 | O | | | | | | | | | |
| | | gpio7_4 | | 14 | IO | | | | | | | | | |
| | | Driver off | | 15 | I | | | | | | | | | |
| L2 | gpmc_a2 | gpmc_a2 | | 0 | O | PD | PD | 15 | 1.8/3.3 | vddshv10 | Yes | Dual Voltage LVCMOS | PU/PD | |
| | | vin1a_d18 | | 2 | I | | | | | | | | | 0 |
| | | vout3_d18 | No | 3 | O | | | | | | | | | |
| | | vin1b_d2 | | 6 | I | | | | | | | | | 0 |
| | | uart7_rxd | | 7 | I | | | | | | | | | 1 |
| | | uart5_ctsn | | 8 | I | | | | | | | | | 1 |
| | | gpio7_5 | | 14 | IO | | | | | | | | | |
| | | Driver off | | 15 | I | | | | | | | | | |
| L1 | gpmc_a3 | gpmc_a3 | | 0 | O | PD | PD | 15 | 1.8/3.3 | vddshv10 | Yes | Dual Voltage LVCMOS | PU/PD | |
| | | qspi1_cs2 | | 1 | O | | | | | | | | | 1 |
| | | vin1a_d19 | | 2 | I | | | | | | | | | 0 |
| | | vout3_d19 | No | 3 | O | | | | | | | | | |
| | | vin1b_d3 | | 6 | I | | | | | | | | | 0 |
| | | uart7_txd | | 7 | O | | | | | | | | | |
| | | uart5_rtsn | | 8 | O | | | | | | | | | |
| | | gpio7_6 | | 14 | IO | | | | | | | | | |
| Driver off | | 15 | I | | | | | | | | | | | |
| K3 | gpmc_a4 | gpmc_a4 | | 0 | O | PD | PD | 15 | 1.8/3.3 | vddshv10 | Yes | Dual Voltage LVCMOS | PU/PD | |
| | | qspi1_cs3 | | 1 | O | | | | | | | | | 1 |
| | | vin1a_d20 | | 2 | I | | | | | | | | | 0 |
| | | vout3_d20 | No | 3 | O | | | | | | | | | |
| | | vin1b_d4 | | 6 | I | | | | | | | | | 0 |
| | | i2c5_scl | | 7 | IO | | | | | | | | | 1 |
| | | uart6_rxd | | 8 | I | | | | | | | | | 1 |
| | | gpio1_26 | | 14 | IO | | | | | | | | | |
| Driver off | | 15 | I | | | | | | | | | | | |

Table 4-1. Pin Attributes⁽¹⁾ (continued)

| BALL NUMBER [1] | BALL NAME [2] | SIGNAL NAME [3] | PN [4] | MUXMODE [5] | TYPE [6] | BALL RESET STATE [7] | BALL RESET REL. STATE [8] | BALL RESET REL. MUXMODE [9] | I/O VOLTAGE VALUE [10] | POWER [11] | HYS [12] | BUFFER TYPE [13] | PULL UP/DOWN TYPE [14] | DSIS [15] |
|-----------------|---------------|-----------------|--------|-------------|----------|----------------------|---------------------------|-----------------------------|------------------------|------------|----------|---------------------|------------------------|-----------|
| K2 | gpmc_a5 | gpmc_a5 | | 0 | O | PD | PD | 15 | 1.8/3.3 | vddshv10 | Yes | Dual Voltage LVCMOS | PU/PD | |
| | | vin1a_d21 | | 2 | I | | | | | | | | | 0 |
| | | vout3_d21 | No | 3 | O | | | | | | | | | |
| | | vin1b_d5 | | 6 | I | | | | | | | | | 0 |
| | | i2c5_sda | | 7 | IO | | | | | | | | | 1 |
| | | uart6_txd | | 8 | O | | | | | | | | | |
| | | gpio1_27 | | 14 | IO | | | | | | | | | |
| | | Driver off | | 15 | I | | | | | | | | | |
| J1 | gpmc_a6 | gpmc_a6 | | 0 | O | PD | PD | 15 | 1.8/3.3 | vddshv10 | Yes | Dual Voltage LVCMOS | PU/PD | |
| | | vin1a_d22 | | 2 | I | | | | | | | | | 0 |
| | | vout3_d22 | No | 3 | O | | | | | | | | | |
| | | vin1b_d6 | | 6 | I | | | | | | | | | 0 |
| | | uart8_rxd | | 7 | I | | | | | | | | | 1 |
| | | uart6_ctsn | | 8 | I | | | | | | | | | 1 |
| | | gpio1_28 | | 14 | IO | | | | | | | | | |
| | | Driver off | | 15 | I | | | | | | | | | |
| K1 | gpmc_a7 | gpmc_a7 | | 0 | O | PD | PD | 15 | 1.8/3.3 | vddshv10 | Yes | Dual Voltage LVCMOS | PU/PD | |
| | | vin1a_d23 | | 2 | I | | | | | | | | | 0 |
| | | vout3_d23 | No | 3 | O | | | | | | | | | |
| | | vin1b_d7 | | 6 | I | | | | | | | | | 0 |
| | | uart8_txd | | 7 | O | | | | | | | | | |
| | | uart6_rtsn | | 8 | O | | | | | | | | | |
| | | gpio1_29 | | 14 | IO | | | | | | | | | |
| | | Driver off | | 15 | I | | | | | | | | | |
| K4 | gpmc_a8 | gpmc_a8 | | 0 | O | PD | PD | 15 | 1.8/3.3 | vddshv10 | Yes | Dual Voltage LVCMOS | PU/PD | |
| | | vin1a_hsync0 | | 2 | I | | | | | | | | | 0 |
| | | vout3_hsync | No | 3 | O | | | | | | | | | |
| | | vin1b_hsync1 | | 6 | I | | | | | | | | | 0 |
| | | timer12 | | 7 | IO | | | | | | | | | |
| | | spi4_sclk | | 8 | IO | | | | | | | | | 0 |
| | | gpio1_30 | | 14 | IO | | | | | | | | | |
| | | Driver off | | 15 | I | | | | | | | | | |

Table 4-1. Pin Attributes⁽¹⁾ (continued)

| BALL NUMBER [1] | BALL NAME [2] | SIGNAL NAME [3] | PN [4] | MUXMODE [5] | TYPE [6] | BALL RESET STATE [7] | BALL RESET REL. STATE [8] | BALL RESET REL. MUXMODE [9] | I/O VOLTAGE VALUE [10] | POWER [11] | HYS [12] | BUFFER TYPE [13] | PULL UP/DOWN TYPE [14] | DSIS [15] |
|-----------------|---------------|-----------------|--------|-------------|----------|----------------------|---------------------------|-----------------------------|------------------------|------------|----------|---------------------|------------------------|-----------|
| H1 | gpmc_a9 | gpmc_a9 | | 0 | O | PD | PD | 15 | 1.8/3.3 | vddshv10 | Yes | Dual Voltage LVCMOS | PU/PD | |
| | | vin1a_vsync0 | | 2 | I | | | | | | | | | 0 |
| | | vout3_vsync | No | 3 | O | | | | | | | | | |
| | | vin1b_vsync1 | | 6 | I | | | | | | | | | 0 |
| | | timer11 | | 7 | IO | | | | | | | | | |
| | | spi4_d1 | | 8 | IO | | | | | | | | | 0 |
| | | gpio1_31 | | 14 | IO | | | | | | | | | |
| | | Driver off | | 15 | I | | | | | | | | | |
| J2 | gpmc_a10 | gpmc_a10 | | 0 | O | PD | PD | 15 | 1.8/3.3 | vddshv10 | Yes | Dual Voltage LVCMOS | PU/PD | |
| | | vin1a_de0 | | 2 | I | | | | | | | | | 0 |
| | | vout3_de | No | 3 | O | | | | | | | | | |
| | | vin1b_clk1 | | 6 | I | | | | | | | | | 0 |
| | | timer10 | | 7 | IO | | | | | | | | | |
| | | spi4_d0 | | 8 | IO | | | | | | | | | 0 |
| | | gpio2_0 | | 14 | IO | | | | | | | | | |
| | | Driver off | | 15 | I | | | | | | | | | |
| L3 | gpmc_a11 | gpmc_a11 | | 0 | O | PD | PD | 15 | 1.8/3.3 | vddshv10 | Yes | Dual Voltage LVCMOS | PU/PD | |
| | | vin1a_fld0 | | 2 | I | | | | | | | | | 0 |
| | | vout3_fld | No | 3 | O | | | | | | | | | |
| | | vin1b_de1 | | 6 | I | | | | | | | | | 0 |
| | | timer9 | | 7 | IO | | | | | | | | | |
| | | spi4_cs0 | | 8 | IO | | | | | | | | | 1 |
| | | gpio2_1 | | 14 | IO | | | | | | | | | |
| | | Driver off | | 15 | I | | | | | | | | | |
| G1 | gpmc_a12 | gpmc_a12 | | 0 | O | PD | PD | 15 | 1.8/3.3 | vddshv10 | Yes | Dual Voltage LVCMOS | PU/PD | |
| | | gpmc_a0 | | 5 | O | | | | | | | | | |
| | | vin1b_fld1 | | 6 | I | | | | | | | | | 0 |
| | | timer8 | | 7 | IO | | | | | | | | | |
| | | spi4_cs1 | | 8 | IO | | | | | | | | | 1 |
| | | dma_evt1 | | 9 | I | | | | | | | | | 0 |
| | | gpio2_2 | | 14 | IO | | | | | | | | | |
| | | Driver off | | 15 | I | | | | | | | | | |

Table 4-1. Pin Attributes⁽¹⁾ (continued)

| BALL NUMBER [1] | BALL NAME [2] | SIGNAL NAME [3] | PN [4] | MUXMODE [5] | TYPE [6] | BALL RESET STATE [7] | BALL RESET REL. STATE [8] | BALL RESET REL. MUXMODE [9] | I/O VOLTAGE VALUE [10] | POWER [11] | HYS [12] | BUFFER TYPE [13] | PULL UP/DOWN TYPE [14] | DSIS [15] |
|--------------------|---------------|-----------------|--------|-------------|----------|----------------------|---------------------------|-----------------------------|------------------------|------------|----------|---------------------|------------------------|-----------|
| H3 | gpmc_a13 | gpmc_a13 | | 0 | O | PD | PD | 15 | 1.8/3.3 | vddshv10 | Yes | Dual Voltage LVCMOS | PU/PD | |
| | | qspi1_rtclk | | 1 | I | | | | | | | | | 0 |
| | | timer7 | | 7 | IO | | | | | | | | | |
| | | spi4_cs2 | | 8 | IO | | | | | | | | | 1 |
| | | dma_evt2 | | 9 | I | | | | | | | | | 0 |
| | | gpio2_3 | | 14 | IO | | | | | | | | | |
| | | Driver off | | 15 | I | | | | | | | | | |
| H4 | gpmc_a14 | gpmc_a14 | | 0 | O | PD | PD | 15 | 1.8/3.3 | vddshv10 | Yes | Dual Voltage LVCMOS | PU/PD | |
| | | qspi1_d3 | | 1 | IO | | | | | | | | | 0 |
| | | timer6 | | 7 | IO | | | | | | | | | |
| | | spi4_cs3 | | 8 | IO | | | | | | | | | 1 |
| | | gpio2_4 | | 14 | IO | | | | | | | | | |
| | | Driver off | | 15 | I | | | | | | | | | |
| K6 | gpmc_a15 | gpmc_a15 | | 0 | O | PD | PD | 15 | 1.8/3.3 | vddshv10 | Yes | Dual Voltage LVCMOS | PU/PD | |
| | | qspi1_d2 | | 1 | IO | | | | | | | | | 0 |
| | | timer5 | | 7 | IO | | | | | | | | | |
| | | gpio2_5 | | 14 | IO | | | | | | | | | |
| | | Driver off | | 15 | I | | | | | | | | | |
| K5 | gpmc_a16 | gpmc_a16 | | 0 | O | PD | PD | 15 | 1.8/3.3 | vddshv10 | Yes | Dual Voltage LVCMOS | PU/PD | |
| | | qspi1_d0 | | 1 | IO | | | | | | | | | 0 |
| | | gpio2_6 | | 14 | IO | | | | | | | | | |
| | | Driver off | | 15 | I | | | | | | | | | |
| G2 | gpmc_a17 | gpmc_a17 | | 0 | O | PD | PD | 15 | 1.8/3.3 | vddshv10 | Yes | Dual Voltage LVCMOS | PU/PD | |
| | | qspi1_d1 | | 1 | IO | | | | | | | | | 0 |
| | | gpio2_7 | | 14 | IO | | | | | | | | | |
| | | Driver off | | 15 | I | | | | | | | | | |
| F2 | gpmc_a18 | gpmc_a18 | | 0 | O | PD | PD | 15 | 1.8/3.3 | vddshv10 | Yes | Dual Voltage LVCMOS | PU/PD | |
| | | qspi1_sclk | | 1 | IO | | | | | | | | | |
| | | gpio2_8 | | 14 | IO | | | | | | | | | |
| | | Driver off | | 15 | I | | | | | | | | | |
| A4 ⁽¹⁰⁾ | gpmc_a19 | gpmc_a19 | | 0 | O | PD | PD | 15 | 1.8/3.3 | vddshv11 | Yes | Dual Voltage LVCMOS | PU/PD | |
| | | mmc2_dat4 | | 1 | IO | | | | | | | | | 1 |
| | | gpmc_a13 | | 2 | O | | | | | | | | | |
| | | vin2b_d0 | | 6 | I | | | | | | | | | 0 |
| | | gpio2_9 | | 14 | IO | | | | | | | | | |
| | | Driver off | | 15 | I | | | | | | | | | |

Table 4-1. Pin Attributes⁽¹⁾ (continued)

| BALL NUMBER [1] | BALL NAME [2] | SIGNAL NAME [3] | PN [4] | MUXMODE [5] | TYPE [6] | BALL RESET STATE [7] | BALL RESET REL. STATE [8] | BALL RESET REL. MUXMODE [9] | I/O VOLTAGE VALUE [10] | POWER [11] | HYS [12] | BUFFER TYPE [13] | PULL UP/DOWN TYPE [14] | DSIS [15] |
|--------------------|---------------|-----------------|--------|-------------|----------|----------------------|---------------------------|-----------------------------|------------------------|------------|----------|---------------------|------------------------|-----------|
| E7 ⁽¹⁰⁾ | gpmc_a20 | gpmc_a20 | | 0 | O | PD | PD | 15 | 1.8/3.3 | vddshv11 | Yes | Dual Voltage LVCMOS | PU/PD | |
| | | mmc2_dat5 | | 1 | IO | | | | | | | | | 1 |
| | | gpmc_a14 | | 2 | O | | | | | | | | | |
| | | vin2b_d1 | | 6 | I | | | | | | | | | 0 |
| | | gpio2_10 | | 14 | IO | | | | | | | | | |
| | | Driver off | | 15 | I | | | | | | | | | |
| D6 ⁽¹⁰⁾ | gpmc_a21 | gpmc_a21 | | 0 | O | PD | PD | 15 | 1.8/3.3 | vddshv11 | Yes | Dual Voltage LVCMOS | PU/PD | |
| | | mmc2_dat6 | | 1 | IO | | | | | | | | | 1 |
| | | gpmc_a15 | | 2 | O | | | | | | | | | |
| | | vin2b_d2 | | 6 | I | | | | | | | | | 0 |
| | | gpio2_11 | | 14 | IO | | | | | | | | | |
| | | Driver off | | 15 | I | | | | | | | | | |
| C5 ⁽¹⁰⁾ | gpmc_a22 | gpmc_a22 | | 0 | O | PD | PD | 15 | 1.8/3.3 | vddshv11 | Yes | Dual Voltage LVCMOS | PU/PD | |
| | | mmc2_dat7 | | 1 | IO | | | | | | | | | 1 |
| | | gpmc_a16 | | 2 | O | | | | | | | | | |
| | | vin2b_d3 | | 6 | I | | | | | | | | | 0 |
| | | gpio2_12 | | 14 | IO | | | | | | | | | |
| | | Driver off | | 15 | I | | | | | | | | | |
| B5 | gpmc_a23 | gpmc_a23 | | 0 | O | PD | PD | 15 | 1.8/3.3 | vddshv11 | Yes | Dual Voltage LVCMOS | PU/PD | |
| | | mmc2_clk | | 1 | IO | | | | | | | | | 1 |
| | | gpmc_a17 | | 2 | O | | | | | | | | | |
| | | vin2b_d4 | | 6 | I | | | | | | | | | 0 |
| | | gpio2_13 | | 14 | IO | | | | | | | | | |
| | | Driver off | | 15 | I | | | | | | | | | |
| D7 ⁽¹⁰⁾ | gpmc_a24 | gpmc_a24 | | 0 | O | PD | PD | 15 | 1.8/3.3 | vddshv11 | Yes | Dual Voltage LVCMOS | PU/PD | |
| | | mmc2_dat0 | | 1 | IO | | | | | | | | | 1 |
| | | gpmc_a18 | | 2 | O | | | | | | | | | |
| | | vin2b_d5 | | 6 | I | | | | | | | | | 0 |
| | | gpio2_14 | | 14 | IO | | | | | | | | | |
| | | Driver off | | 15 | I | | | | | | | | | |
| C6 ⁽¹⁰⁾ | gpmc_a25 | gpmc_a25 | | 0 | O | PD | PD | 15 | 1.8/3.3 | vddshv11 | Yes | Dual Voltage LVCMOS | PU/PD | |
| | | mmc2_dat1 | | 1 | IO | | | | | | | | | 1 |
| | | gpmc_a19 | | 2 | O | | | | | | | | | |
| | | vin2b_d6 | | 6 | I | | | | | | | | | 0 |
| | | gpio2_15 | | 14 | IO | | | | | | | | | |
| | | Driver off | | 15 | I | | | | | | | | | |

Table 4-1. Pin Attributes⁽¹⁾ (continued)

| BALL NUMBER [1] | BALL NAME [2] | SIGNAL NAME [3] | PN [4] | MUXMODE [5] | TYPE [6] | BALL RESET STATE [7] | BALL RESET REL. STATE [8] | BALL RESET REL. MUXMODE [9] | I/O VOLTAGE VALUE [10] | POWER [11] | HYS [12] | BUFFER TYPE [13] | PULL UP/DOWN TYPE [14] | DSIS [15] |
|--------------------|---------------|-----------------|--------|-------------|----------|----------------------|---------------------------|-----------------------------|------------------------|------------|----------|---------------------|------------------------|-----------|
| A5 ⁽¹⁰⁾ | gpmc_a26 | gpmc_a26 | | 0 | O | PD | PD | 15 | 1.8/3.3 | vddshv11 | Yes | Dual Voltage LVCMOS | PU/PD | |
| | | mmc2_dat2 | | 1 | IO | | | | | | | | | 1 |
| | | gpmc_a20 | | 2 | O | | | | | | | | | |
| | | vin2b_d7 | | 6 | I | | | | | | | | | 0 |
| | | gpio2_16 | | 14 | IO | | | | | | | | | |
| | | Driver off | | 15 | I | | | | | | | | | |
| B6 ⁽¹⁰⁾ | gpmc_a27 | gpmc_a27 | | 0 | O | PD | PD | 15 | 1.8/3.3 | vddshv11 | Yes | Dual Voltage LVCMOS | PU/PD | |
| | | mmc2_dat3 | | 1 | IO | | | | | | | | | 1 |
| | | gpmc_a21 | | 2 | O | | | | | | | | | |
| | | vin2b_hsync1 | | 6 | I | | | | | | | | | |
| | | gpio2_17 | | 14 | IO | | | | | | | | | |
| | | Driver off | | 15 | I | | | | | | | | | |
| F1 | gpmc_ad0 | gpmc_ad0 | | 0 | IO | OFF | OFF | 15 | 1.8/3.3 | vddshv10 | Yes | Dual Voltage LVCMOS | PU/PD | 0 |
| | | vin1a_d0 | | 2 | I | | | | | | | | | 0 |
| | | vout3_d0 | No | 3 | O | | | | | | | | | |
| | | gpio1_6 | | 14 | IO | | | | | | | | | |
| | | sysboot0 | | 15 | I | | | | | | | | | |
| E2 | gpmc_ad1 | gpmc_ad1 | | 0 | IO | OFF | OFF | 15 | 1.8/3.3 | vddshv10 | Yes | Dual Voltage LVCMOS | PU/PD | 0 |
| | | vin1a_d1 | | 2 | I | | | | | | | | | 0 |
| | | vout3_d1 | No | 3 | O | | | | | | | | | |
| | | gpio1_7 | | 14 | IO | | | | | | | | | |
| | | sysboot1 | | 15 | I | | | | | | | | | |
| E1 | gpmc_ad2 | gpmc_ad2 | | 0 | IO | OFF | OFF | 15 | 1.8/3.3 | vddshv10 | Yes | Dual Voltage LVCMOS | PU/PD | 0 |
| | | vin1a_d2 | | 2 | I | | | | | | | | | 0 |
| | | vout3_d2 | No | 3 | O | | | | | | | | | |
| | | gpio1_8 | | 14 | IO | | | | | | | | | |
| | | sysboot2 | | 15 | I | | | | | | | | | |
| C1 | gpmc_ad3 | gpmc_ad3 | | 0 | IO | OFF | OFF | 15 | 1.8/3.3 | vddshv10 | Yes | Dual Voltage LVCMOS | PU/PD | 0 |
| | | vin1a_d3 | | 2 | I | | | | | | | | | 0 |
| | | vout3_d3 | No | 3 | O | | | | | | | | | |
| | | gpio1_9 | | 14 | IO | | | | | | | | | |
| | | sysboot3 | | 15 | I | | | | | | | | | |
| D1 | gpmc_ad4 | gpmc_ad4 | | 0 | IO | OFF | OFF | 15 | 1.8/3.3 | vddshv10 | Yes | Dual Voltage LVCMOS | PU/PD | 0 |
| | | vin1a_d4 | | 2 | I | | | | | | | | | 0 |
| | | vout3_d4 | No | 3 | O | | | | | | | | | |
| | | gpio1_10 | | 14 | IO | | | | | | | | | |
| | | sysboot4 | | 15 | I | | | | | | | | | |

Table 4-1. Pin Attributes⁽¹⁾ (continued)

| BALL NUMBER [1] | BALL NAME [2] | SIGNAL NAME [3] | PN [4] | MUXMODE [5] | TYPE [6] | BALL RESET STATE [7] | BALL RESET REL. STATE [8] | BALL RESET REL. MUXMODE [9] | I/O VOLTAGE VALUE [10] | POWER [11] | HYS [12] | BUFFER TYPE [13] | PULL UP/DOWN TYPE [14] | DSIS [15] |
|-----------------|---------------|-----------------|--------|-------------|----------|----------------------|---------------------------|-----------------------------|------------------------|------------|----------|---------------------|------------------------|-----------|
| D2 | gpmc_ad5 | gpmc_ad5 | | 0 | IO | OFF | OFF | 15 | 1.8/3.3 | vddshv10 | Yes | Dual Voltage LVCMOS | PU/PD | 0 |
| | | vin1a_d5 | | 2 | I | | | | | | | | | 0 |
| | | vout3_d5 | No | 3 | O | | | | | | | | | |
| | | gpio1_11 | | 14 | IO | | | | | | | | | |
| | | sysboot5 | | 15 | I | | | | | | | | | |
| B1 | gpmc_ad6 | gpmc_ad6 | | 0 | IO | OFF | OFF | 15 | 1.8/3.3 | vddshv10 | Yes | Dual Voltage LVCMOS | PU/PD | 0 |
| | | vin1a_d6 | | 2 | I | | | | | | | | | 0 |
| | | vout3_d6 | No | 3 | O | | | | | | | | | |
| | | gpio1_12 | | 14 | IO | | | | | | | | | |
| | | sysboot6 | | 15 | I | | | | | | | | | |
| B2 | gpmc_ad7 | gpmc_ad7 | | 0 | IO | OFF | OFF | 15 | 1.8/3.3 | vddshv10 | Yes | Dual Voltage LVCMOS | PU/PD | 0 |
| | | vin1a_d7 | | 2 | I | | | | | | | | | 0 |
| | | vout3_d7 | No | 3 | O | | | | | | | | | |
| | | gpio1_13 | | 14 | IO | | | | | | | | | |
| | | sysboot7 | | 15 | I | | | | | | | | | |
| C2 | gpmc_ad8 | gpmc_ad8 | | 0 | IO | OFF | OFF | 15 | 1.8/3.3 | vddshv10 | Yes | Dual Voltage LVCMOS | PU/PD | 0 |
| | | vin1a_d8 | | 2 | I | | | | | | | | | 0 |
| | | vout3_d8 | No | 3 | O | | | | | | | | | |
| | | gpio7_18 | | 14 | IO | | | | | | | | | |
| | | sysboot8 | | 15 | I | | | | | | | | | |
| D3 | gpmc_ad9 | gpmc_ad9 | | 0 | IO | OFF | OFF | 15 | 1.8/3.3 | vddshv10 | Yes | Dual Voltage LVCMOS | PU/PD | 0 |
| | | vin1a_d9 | | 2 | I | | | | | | | | | 0 |
| | | vout3_d9 | No | 3 | O | | | | | | | | | |
| | | gpio7_19 | | 14 | IO | | | | | | | | | |
| | | sysboot9 | | 15 | I | | | | | | | | | |
| A2 | gpmc_ad10 | gpmc_ad10 | | 0 | IO | OFF | OFF | 15 | 1.8/3.3 | vddshv10 | Yes | Dual Voltage LVCMOS | PU/PD | 0 |
| | | vin1a_d10 | | 2 | I | | | | | | | | | 0 |
| | | vout3_d10 | No | 3 | O | | | | | | | | | |
| | | gpio7_28 | | 14 | IO | | | | | | | | | |
| | | sysboot10 | | 15 | I | | | | | | | | | |
| B3 | gpmc_ad11 | gpmc_ad11 | | 0 | IO | OFF | OFF | 15 | 1.8/3.3 | vddshv10 | Yes | Dual Voltage LVCMOS | PU/PD | 0 |
| | | vin1a_d11 | | 2 | I | | | | | | | | | 0 |
| | | vout3_d11 | No | 3 | O | | | | | | | | | |
| | | gpio7_29 | | 14 | IO | | | | | | | | | |
| | | sysboot11 | | 15 | I | | | | | | | | | |

Table 4-1. Pin Attributes⁽¹⁾ (continued)

| BALL NUMBER [1] | BALL NAME [2] | SIGNAL NAME [3] | PN [4] | MUXMODE [5] | TYPE [6] | BALL RESET STATE [7] | BALL RESET REL. STATE [8] | BALL RESET REL. MUXMODE [9] | I/O VOLTAGE VALUE [10] | POWER [11] | HYS [12] | BUFFER TYPE [13] | PULL UP/DOWN TYPE [14] | DSIS [15] |
|-----------------|---------------|-----------------|--------|-------------|----------|----------------------|---------------------------|-----------------------------|------------------------|------------|----------|---------------------|------------------------|-----------|
| C3 | gpmc_ad12 | gpmc_ad12 | | 0 | IO | OFF | OFF | 15 | 1.8/3.3 | vddshv10 | Yes | Dual Voltage LVCMOS | PU/PD | 0 |
| | | vin1a_d12 | | 2 | I | | | | | | | | | 0 |
| | | vout3_d12 | No | 3 | O | | | | | | | | | |
| | | gpio1_18 | | 14 | IO | | | | | | | | | |
| | | sysboot12 | | 15 | I | | | | | | | | | |
| C4 | gpmc_ad13 | gpmc_ad13 | | 0 | IO | OFF | OFF | 15 | 1.8/3.3 | vddshv10 | Yes | Dual Voltage LVCMOS | PU/PD | 0 |
| | | vin1a_d13 | | 2 | I | | | | | | | | | 0 |
| | | vout3_d13 | No | 3 | O | | | | | | | | | |
| | | gpio1_19 | | 14 | IO | | | | | | | | | |
| | | sysboot13 | | 15 | I | | | | | | | | | |
| A3 | gpmc_ad14 | gpmc_ad14 | | 0 | IO | OFF | OFF | 15 | 1.8/3.3 | vddshv10 | Yes | Dual Voltage LVCMOS | PU/PD | 0 |
| | | vin1a_d14 | | 2 | I | | | | | | | | | 0 |
| | | vout3_d14 | No | 3 | O | | | | | | | | | |
| | | gpio1_20 | | 14 | IO | | | | | | | | | |
| | | sysboot14 | | 15 | I | | | | | | | | | |
| B4 | gpmc_ad15 | gpmc_ad15 | | 0 | IO | OFF | OFF | 15 | 1.8/3.3 | vddshv10 | Yes | Dual Voltage LVCMOS | PU/PD | 0 |
| | | vin1a_d15 | | 2 | I | | | | | | | | | 0 |
| | | vout3_d15 | No | 3 | O | | | | | | | | | |
| | | gpio1_21 | | 14 | IO | | | | | | | | | |
| | | sysboot15 | | 15 | I | | | | | | | | | |
| H5 | gpmc_advn_ale | gpmc_advn_ale | | 0 | O | PU | PU | 15 | 1.8/3.3 | vddshv10 | Yes | Dual Voltage LVCMOS | PU/PD | |
| | | gpmc_cs6 | | 1 | O | | | | | | | | | |
| | | clkout2 | | 2 | O | | | | | | | | | |
| | | gpmc_wait1 | | 3 | I | | | | | | | | | 1 |
| | | gpmc_a2 | | 5 | O | | | | | | | | | |
| | | gpmc_a23 | | 6 | O | | | | | | | | | |
| | | timer3 | | 7 | IO | | | | | | | | | |
| | | i2c3_sda | | 8 | IO | | | | | | | | | 1 |
| | | dma_ev12 | | 9 | I | | | | | | | | | 0 |
| | | gpio2_23 | | 14 | IO | | | | | | | | | |
| | | gpmc_a19 | | 15 | I | | | | | | | | | |
| Driver off | | | | | | | | | | | | | | |

Table 4-1. Pin Attributes⁽¹⁾ (continued)

| BALL NUMBER [1] | BALL NAME [2] | SIGNAL NAME [3] | PN [4] | MUXMODE [5] | TYPE [6] | BALL RESET STATE [7] | BALL RESET REL. STATE [8] | BALL RESET REL. MUXMODE [9] | I/O VOLTAGE VALUE [10] | POWER [11] | HYS [12] | BUFFER TYPE [13] | PULL UP/DOWN TYPE [14] | DSIS [15] |
|-----------------|---------------|----------------------|--------|-------------|----------|----------------------|---------------------------|-----------------------------|------------------------|------------|----------|---------------------|------------------------|-----------|
| H2 | gpmc_ben0 | gpmc_ben0 | | 0 | O | PU | PU | 15 | 1.8/3.3 | vddshv10 | Yes | Dual Voltage LVCMOS | PU/PD | |
| | | gpmc_cs4 | | 1 | O | | | | | | | | | |
| | | vin2b_de1 | | 6 | I | | | | | | | | | |
| | | timer2 | | 7 | IO | | | | | | | | | |
| | | dma_evt3 | | 9 | I | | | | | | | | | |
| | | gpio2_26 gpmc_a21 | | 14 | IO | | | | | | | | | |
| | | Driver off | | 15 | I | | | | | | | | | |
| H6 | gpmc_ben1 | gpmc_ben1 | | 0 | O | PU | PU | 15 | 1.8/3.3 | vddshv10 | Yes | Dual Voltage LVCMOS | PU/PD | |
| | | gpmc_cs5 | | 1 | O | | | | | | | | | |
| | | vin2b_clk1 | | 4 | I | | | | | | | | | |
| | | gpmc_a3 | | 5 | O | | | | | | | | | |
| | | vin2b_fld1 | | 6 | I | | | | | | | | | |
| | | timer1 | | 7 | IO | | | | | | | | | |
| | | dma_evt4 | | 9 | I | | | | | | | | | |
| | | gpio2_27 gpmc_a22 | | 14 | IO | | | | | | | | | |
| | | Driver off | | 15 | I | | | | | | | | | |
| L4 | gpmc_clk | gpmc_clk | | 0 | IO | PU | PU | 15 | 1.8/3.3 | vddshv10 | Yes | Dual Voltage LVCMOS | PU/PD | 0 |
| | | gpmc_cs7 | | 1 | O | | | | | | | | | |
| | | clkout1 | | 2 | O | | | | | | | | | |
| | | gpmc_wait1 | | 3 | I | | | | | | | | | 1 |
| | | vin2b_clk1 | | 6 | I | | | | | | | | | |
| | | timer4 | | 7 | IO | | | | | | | | | |
| | | i2c3_scl | | 8 | IO | | | | | | | | | 1 |
| | | dma_evt1 | | 9 | I | | | | | | | | | 0 |
| | | gpio2_22 gpmc_a20 | | 14 | IO | | | | | | | | | |
| | | Driver off | | 15 | I | | | | | | | | | |
| F3 | gpmc_cs0 | gpmc_cs0 | | 0 | O | PU | PU | 15 | 1.8/3.3 | vddshv10 | Yes | Dual Voltage LVCMOS | PU/PD | |
| | | gpio2_19 | | 14 | IO | | | | | | | | | |
| | | Driver off | | 15 | I | | | | | | | | | |
| A6 | gpmc_cs1 | gpmc_cs1 | | 0 | O | PU | PU | 15 | 1.8/3.3 | vddshv11 | Yes | Dual Voltage LVCMOS | PU/PD | |
| | | mmc2_cmd | | 1 | IO | | | | | | | | | 1 |
| | | gpmc_a22 | | 2 | O | | | | | | | | | |
| | | vin2b_vsync1 | | 6 | I | | | | | | | | | |
| | | gpio2_18 | | 14 | IO | | | | | | | | | |
| | | Driver off | | 15 | I | | | | | | | | | |

Table 4-1. Pin Attributes⁽¹⁾ (continued)

| BALL NUMBER [1] | BALL NAME [2] | SIGNAL NAME [3] | PN [4] | MUXMODE [5] | TYPE [6] | BALL RESET STATE [7] | BALL RESET REL. STATE [8] | BALL RESET REL. MUXMODE [9] | I/O VOLTAGE VALUE [10] | POWER [11] | HYS [12] | BUFFER TYPE [13] | PULL UP/DOWN TYPE [14] | DSIS [15] |
|-----------------|---------------|----------------------------------|--------|-------------|----------|----------------------|---------------------------|-----------------------------|------------------------|------------|----------|-------------------------|------------------------|-----------|
| G4 | gpmc_cs2 | gpmc_cs2 | | 0 | O | PU | PU | 15 | 1.8/3.3 | vddshv10 | Yes | Dual Voltage LVCMOS | PU/PD | |
| | | qspi1_cs0 | | 1 | IO | | | | | | | | | 1 |
| | | gpio2_20 gpmc_a23 gpmc_a13 | | 14 | IO | | | | | | | | | |
| | | Driver off | | 15 | I | | | | | | | | | |
| G3 | gpmc_cs3 | gpmc_cs3 | | 0 | O | PU | PU | 15 | 1.8/3.3 | vddshv10 | Yes | Dual Voltage LVCMOS | PU/PD | |
| | | qspi1_cs1 | | 1 | O | | | | | | | | | 1 |
| | | vin1a_clk0 | | 2 | I | | | | | | | | | 0 |
| | | vout3_clk | No | 3 | O | | | | | | | | | |
| | | gpmc_a1 | | 5 | O | | | | | | | | | |
| | | gpio2_21 gpmc_a24 gpmc_a14 | | 14 | IO | | | | | | | | | |
| | | Driver off | | 15 | I | | | | | | | | | |
| G5 | gpmc_oen_ren | gpmc_oen_ren | | 0 | O | PU | PU | 15 | 1.8/3.3 | vddshv10 | Yes | Dual Voltage LVCMOS | PU/PD | |
| | | gpio2_24 | | 14 | IO | | | | | | | | | |
| | | Driver off | | 15 | I | | | | | | | | | |
| F6 | gpmc_wait0 | gpmc_wait0 | | 0 | I | PU | PU | 15 | 1.8/3.3 | vddshv10 | Yes | Dual Voltage LVCMOS | PU/PD | 1 |
| | | gpio2_28 gpmc_a25 gpmc_a15 | | 14 | IO | | | | | | | | | |
| | | Driver off | | 15 | I | | | | | | | | | |
| G6 | gpmc_wen | gpmc_wen | | 0 | O | PU | PU | 15 | 1.8/3.3 | vddshv10 | Yes | Dual Voltage LVCMOS | PU/PD | |
| | | gpio2_25 | | 14 | IO | | | | | | | | | |
| | | Driver off | | 15 | I | | | | | | | | | |
| AE9 | hdmi1_clockx | hdmi1_clockx | No | 0 | O | | | | 1.8 | vdda_hdmi | | HDMIPHY | Pdy | |
| AD10 | hdmi1_clocky | hdmi1_clocky | No | 0 | O | | | | 1.8 | vdda_hdmi | | HDMIPHY | Pdy | |
| AE11 | hdmi1_data0x | hdmi1_data0x | No | 0 | O | | | | 1.8 | vdda_hdmi | | HDMIPHY | Pdy | |
| AD12 | hdmi1_data0y | hdmi1_data0y | No | 0 | O | | | | 1.8 | vdda_hdmi | | HDMIPHY | Pdy | |
| AE12 | hdmi1_data1x | hdmi1_data1x | No | 0 | O | | | | 1.8 | vdda_hdmi | | HDMIPHY | Pdy | |
| AD13 | hdmi1_data1y | hdmi1_data1y | No | 0 | O | | | | 1.8 | vdda_hdmi | | HDMIPHY | Pdy | |
| AE14 | hdmi1_data2x | hdmi1_data2x | No | 0 | O | | | | 1.8 | vdda_hdmi | | HDMIPHY | Pdy | |
| AD15 | hdmi1_data2y | hdmi1_data2y | No | 0 | O | | | | 1.8 | vdda_hdmi | | HDMIPHY | Pdy | |
| G22 | i2c1_scl | i2c1_scl | | 0 | IO | | | | 1.8/3.3 | vddshv3 | Yes | Dual Voltage LVCMOS I2C | PU/PD | |
| | | Driver off | | 15 | I | | | | | | | | | |
| G23 | i2c1_sda | i2c1_sda | | 0 | IO | | | | 1.8/3.3 | vddshv3 | Yes | Dual Voltage LVCMOS I2C | PU/PD | |
| | | Driver off | | 15 | I | | | | | | | | | |

Table 4-1. Pin Attributes⁽¹⁾ (continued)

| BALL NUMBER [1] | BALL NAME [2] | SIGNAL NAME [3] | PN [4] | MUXMODE [5] | TYPE [6] | BALL RESET STATE [7] | BALL RESET REL. STATE [8] | BALL RESET REL. MUXMODE [9] | I/O VOLTAGE VALUE [10] | POWER [11] | HYS [12] | BUFFER TYPE [13] | PULL UP/DOWN TYPE [14] | DSIS [15] |
|-----------------|---------------|-----------------|--------|-------------|----------|----------------------|---------------------------|-----------------------------|------------------------|------------|----------|-------------------------|------------------------|-----------|
| G21 | i2c2_scl | i2c2_scl | | 0 | IO | | | 15 | 1.8/3.3 | vddshv3 | Yes | Dual Voltage LVCMOS I2C | PU/PD | 1 |
| | | hdmi1_ddc_sda | No | 1 | IO | | | | | | | | | |
| | | Driver off | | 15 | I | | | | | | | | | |
| F23 | i2c2_sda | i2c2_sda | | 0 | IO | | | 15 | 1.8/3.3 | vddshv3 | Yes | Dual Voltage LVCMOS I2C | PU/PD | 1 |
| | | hdmi1_ddc_scl | No | 1 | IO | | | | | | | | | |
| | | Driver off | | 15 | I | | | | | | | | | |
| AB9 | ljcb_clkn | ljcb_clkn | | 0 | IO | | | | 1.8 | vdda_pcie | | LJCB | | |
| AC8 | ljcb_clkp | ljcb_clkp | | 0 | IO | | | | 1.8 | vdda_pcie | | LJCB | | |
| D16 | mcasep1_aclkr | mcasep1_aclkr | | 0 | IO | PD | PD | 15 | 1.8/3.3 | vddshv3 | Yes | Dual Voltage LVCMOS | PU/PD | 0 |
| | | mcasep7_axr2 | | 1 | IO | | | | | | | | | 0 |
| | | i2c4_sda | | 10 | IO | | | | | | | | | 1 |
| | | gpio5_0 | | 14 | IO | | | | | | | | | |
| | | Driver off | | 15 | I | | | | | | | | | |
| C16 | mcasep1_aclkx | mcasep1_aclkx | | 0 | IO | PD | PD | 15 | 1.8/3.3 | vddshv3 | Yes | Dual Voltage LVCMOS | PU/PD | 0 |
| | | vin1a_fld0 | | 7 | I | | | | | | | | | 0 |
| | | i2c3_sda | | 10 | IO | | | | | | | | | 1 |
| | | pr2_mdio_mdclk | | 11 | O | | | | | | | | | |
| | | pr2_pru1_gpi7 | | 12 | I | | | | | | | | | |
| | | pr2_pru1_gpo7 | | 13 | O | | | | | | | | | |
| | | gpio7_31 | | 14 | IO | | | | | | | | | |
| | | Driver off | | 15 | I | | | | | | | | | |
| D17 | mcasep1_fsr | mcasep1_fsr | | 0 | IO | PD | PD | 15 | 1.8/3.3 | vddshv3 | Yes | Dual Voltage LVCMOS | PU/PD | 0 |
| | | mcasep7_axr3 | | 1 | IO | | | | | | | | | 0 |
| | | i2c4_scl | | 10 | IO | | | | | | | | | 1 |
| | | gpio5_1 | | 14 | IO | | | | | | | | | |
| | | Driver off | | 15 | I | | | | | | | | | |
| C17 | mcasep1_fsx | mcasep1_fsx | | 0 | IO | PD | PD | 15 | 1.8/3.3 | vddshv3 | Yes | Dual Voltage LVCMOS | PU/PD | 0 |
| | | vin1a_de0 | | 7 | I | | | | | | | | | 0 |
| | | i2c3_scl | | 10 | IO | | | | | | | | | 1 |
| | | pr2_mdio_data | | 11 | IO | | | | | | | | | 1 |
| | | gpio7_30 | | 14 | IO | | | | | | | | | |
| | | Driver off | | 15 | I | | | | | | | | | |

Table 4-1. Pin Attributes⁽¹⁾ (continued)

| BALL NUMBER [1] | BALL NAME [2] | SIGNAL NAME [3] | PN [4] | MUXMODE [5] | TYPE [6] | BALL RESET STATE [7] | BALL RESET REL. STATE [8] | BALL RESET REL. MUXMODE [9] | I/O VOLTAGE VALUE [10] | POWER [11] | HYS [12] | BUFFER TYPE [13] | PULL UP/DOWN TYPE [14] | DSIS [15] |
|-----------------|---------------|-----------------|--------|-------------|----------|----------------------|---------------------------|-----------------------------|------------------------|------------|----------|---------------------|------------------------|-----------|
| E19 | mcasep2_aclx | mcasep2_aclx | | 0 | IO | PD | PD | 15 | 1.8/3.3 | vddshv3 | Yes | Dual Voltage LVCMOS | PU/PD | 0 |
| | | vin1a_d7 | | 7 | I | | | | | | | | | 0 |
| | | pr2_mii0_rxd2 | | 11 | I | | | | | | | | | 0 |
| | | pr2_pru0_gpi18 | | 12 | I | | | | | | | | | |
| | | pr2_pru0_gpo18 | | 13 | O | | | | | | | | | |
| | | Driver off | | 15 | I | | | | | | | | | |
| D19 | mcasep2_fsx | mcasep2_fsx | | 0 | IO | PD | PD | 15 | 1.8/3.3 | vddshv3 | Yes | Dual Voltage LVCMOS | PU/PD | 0 |
| | | vin1a_d6 | | 7 | I | | | | | | | | | 0 |
| | | pr2_mii0_rxd1 | | 11 | I | | | | | | | | | 0 |
| | | pr2_pru0_gpi19 | | 12 | I | | | | | | | | | |
| | | pr2_pru0_gpo19 | | 13 | O | | | | | | | | | |
| | | Driver off | | 15 | I | | | | | | | | | |
| A22 | mcasep3_aclx | mcasep3_aclx | | 0 | IO | PD | PD | 15 | 1.8/3.3 | vddshv3 | Yes | Dual Voltage LVCMOS | PU/PD | 0 |
| | | mcasep3_aclkr | | 1 | IO | | | | | | | | | |
| | | mcasep2_axr12 | | 2 | IO | | | | | | | | | 0 |
| | | uart7_rxd | | 3 | I | | | | | | | | | 1 |
| | | vin1a_d3 | | 7 | I | | | | | | | | | 0 |
| | | pr2_mii0_crs | | 11 | I | | | | | | | | | 0 |
| | | pr2_pru0_gpi12 | | 12 | I | | | | | | | | | |
| | | pr2_pru0_gpo12 | | 13 | O | | | | | | | | | |
| | | gpio5_13 | | 14 | IO | | | | | | | | | |
| | | Driver off | | 15 | I | | | | | | | | | |
| A23 | mcasep3_fsx | mcasep3_fsx | | 0 | IO | PD | PD | 15 | 1.8/3.3 | vddshv3 | Yes | Dual Voltage LVCMOS | PU/PD | 0 |
| | | mcasep3_fsr | | 1 | IO | | | | | | | | | |
| | | mcasep2_axr13 | | 2 | IO | | | | | | | | | 0 |
| | | uart7_txd | | 3 | O | | | | | | | | | |
| | | vin1a_d2 | | 7 | I | | | | | | | | | 0 |
| | | pr2_mii0_col | | 11 | I | | | | | | | | | 0 |
| | | pr2_pru0_gpi13 | | 12 | I | | | | | | | | | |
| | | pr2_pru0_gpo13 | | 13 | O | | | | | | | | | |
| | | gpio5_14 | | 14 | IO | | | | | | | | | |
| | | Driver off | | 15 | I | | | | | | | | | |

Table 4-1. Pin Attributes⁽¹⁾ (continued)

| BALL NUMBER [1] | BALL NAME [2] | SIGNAL NAME [3] | PN [4] | MUXMODE [5] | TYPE [6] | BALL RESET STATE [7] | BALL RESET REL. STATE [8] | BALL RESET REL. MUXMODE [9] | I/O VOLTAGE VALUE [10] | POWER [11] | HYS [12] | BUFFER TYPE [13] | PULL UP/DOWN TYPE [14] | DSIS [15] |
|-----------------|---------------|-----------------|--------|-------------|----------|----------------------|---------------------------|-----------------------------|------------------------|------------|----------|---------------------|------------------------|-----------|
| C23 | mcasep4_aclkx | mcasep4_aclkx | | 0 | IO | PD | PD | 15 | 1.8/3.3 | vddshv3 | Yes | Dual Voltage LVCMOS | PU/PD | 0 |
| | | mcasep4_aclkr | | 1 | IO | | | | | | | | | |
| | | spi3_sclk | | 2 | IO | | | | | | | | | 0 |
| | | uart8_rxd | | 3 | I | | | | | | | | | 1 |
| | | i2c4_sda | | 4 | IO | | | | | | | | | 1 |
| | | Driver off | | 15 | I | | | | | | | | | |
| B25 | mcasep4_fsx | mcasep4_fsx | | 0 | IO | PD | PD | 15 | 1.8/3.3 | vddshv3 | Yes | Dual Voltage LVCMOS | PU/PD | 0 |
| | | mcasep4_fsr | | 1 | IO | | | | | | | | | |
| | | spi3_d1 | | 2 | IO | | | | | | | | | 0 |
| | | uart8_txd | | 3 | O | | | | | | | | | |
| | | i2c4_scl | | 4 | IO | | | | | | | | | 1 |
| | | Driver off | | 15 | I | | | | | | | | | |
| AC3 | mcasep5_aclkx | mcasep5_aclkx | | 0 | IO | PD | PD | 15 | 1.8/3.3 | vddshv7 | Yes | Dual Voltage LVCMOS | PU/PD | 0 |
| | | mcasep5_aclkr | | 1 | IO | | | | | | | | | |
| | | spi4_sclk | | 2 | IO | | | | | | | | | 0 |
| | | uart9_rxd | | 3 | I | | | | | | | | | 1 |
| | | i2c5_sda | | 4 | IO | | | | | | | | | 1 |
| | | pr2_pru1_gpi1 | | 12 | I | | | | | | | | | |
| | | pr2_pru1_gpo1 | | 13 | O | | | | | | | | | |
| | | Driver off | | 15 | I | | | | | | | | | |
| U6 | mcasep5_fsx | mcasep5_fsx | | 0 | IO | PD | PD | 15 | 1.8/3.3 | vddshv7 | Yes | Dual Voltage LVCMOS | PU/PD | 0 |
| | | mcasep5_fsr | | 1 | IO | | | | | | | | | |
| | | spi4_d1 | | 2 | IO | | | | | | | | | 0 |
| | | uart9_txd | | 3 | O | | | | | | | | | |
| | | i2c5_scl | | 4 | IO | | | | | | | | | 1 |
| | | pr2_pru1_gpi2 | | 12 | I | | | | | | | | | |
| | | pr2_pru1_gpo2 | | 13 | O | | | | | | | | | |
| | | Driver off | | 15 | I | | | | | | | | | |
| D14 | mcasep1_axr0 | mcasep1_axr0 | | 0 | IO | PD | PD | 15 | 1.8/3.3 | vddshv3 | Yes | Dual Voltage LVCMOS | PU/PD | 0 |
| | | uart6_rxd | | 3 | I | | | | | | | | | 1 |
| | | vin1a_vsync0 | | 7 | I | | | | | | | | | 0 |
| | | i2c5_sda | | 10 | IO | | | | | | | | | 1 |
| | | pr2_mii0_rxer | | 11 | I | | | | | | | | | 0 |
| | | pr2_pru1_gpi8 | | 12 | I | | | | | | | | | |
| | | pr2_pru1_gpo8 | | 13 | O | | | | | | | | | |
| | | gpio5_2 | | 14 | IO | | | | | | | | | |
| | | Driver off | | 15 | I | | | | | | | | | |

Table 4-1. Pin Attributes⁽¹⁾ (continued)

| BALL NUMBER [1] | BALL NAME [2] | SIGNAL NAME [3] | PN [4] | MUXMODE [5] | TYPE [6] | BALL RESET STATE [7] | BALL RESET REL. STATE [8] | BALL RESET REL. MUXMODE [9] | I/O VOLTAGE VALUE [10] | POWER [11] | HYS [12] | BUFFER TYPE [13] | PULL UP/DOWN TYPE [14] | DSIS [15] | |
|-----------------|---------------|-----------------|--------|-------------|----------|----------------------|---------------------------|-----------------------------|------------------------|------------|----------|---------------------|------------------------|-----------|--|
| B14 | mcasep1_axr1 | mcasep1_axr1 | | 0 | IO | PD | PD | 15 | 1.8/3.3 | vddshv3 | Yes | Dual Voltage LVCMOS | PU/PD | 0 | |
| | | uart6_txd | | 3 | O | | | | | | | | | | |
| | | vin1a_hsync0 | | 7 | I | | | | | | | | | | |
| | | i2c5_scl | | 10 | IO | | | | | | | | | | |
| | | pr2_mii_mt0_clk | | 11 | I | | | | | | | | | | |
| | | pr2_pru1_gpi9 | | 12 | I | | | | | | | | | | |
| | | pr2_pru1_gpo9 | | 13 | O | | | | | | | | | | |
| | | gpio5_3 | | 14 | IO | | | | | | | | | | |
| Driver off | | 15 | I | | | | | | | | | | | | |
| C14 | mcasep1_axr2 | mcasep1_axr2 | | 0 | IO | PD | PD | 15 | 1.8/3.3 | vddshv3 | Yes | Dual Voltage LVCMOS | PU/PD | 0 | |
| | | mcasep6_axr2 | | 1 | IO | | | | | | | | | | |
| | | uart6_ctsn | | 3 | I | | | | | | | | | | |
| | | gpio5_4 | | 14 | IO | | | | | | | | | | |
| | | Driver off | | 15 | I | | | | | | | | | | |
| B15 | mcasep1_axr3 | mcasep1_axr3 | | 0 | IO | PD | PD | 15 | 1.8/3.3 | vddshv3 | Yes | Dual Voltage LVCMOS | PU/PD | 0 | |
| | | mcasep6_axr3 | | 1 | IO | | | | | | | | | | |
| | | uart6_rtsn | | 3 | O | | | | | | | | | | |
| | | gpio5_5 | | 14 | IO | | | | | | | | | | |
| | | Driver off | | 15 | I | | | | | | | | | | |
| A15 | mcasep1_axr4 | mcasep1_axr4 | | 0 | IO | PD | PD | 15 | 1.8/3.3 | vddshv3 | Yes | Dual Voltage LVCMOS | PU/PD | 0 | |
| | | mcasep4_axr2 | | 1 | IO | | | | | | | | | | |
| | | gpio5_6 | | 14 | IO | | | | | | | | | | |
| | | Driver off | | 15 | I | | | | | | | | | | |
| A14 | mcasep1_axr5 | mcasep1_axr5 | | 0 | IO | PD | PD | 15 | 1.8/3.3 | vddshv3 | Yes | Dual Voltage LVCMOS | PU/PD | 0 | |
| | | mcasep4_axr3 | | 1 | IO | | | | | | | | | | |
| | | gpio5_7 | | 14 | IO | | | | | | | | | | |
| | | Driver off | | 15 | I | | | | | | | | | | |
| A17 | mcasep1_axr6 | mcasep1_axr6 | | 0 | IO | PD | PD | 15 | 1.8/3.3 | vddshv3 | Yes | Dual Voltage LVCMOS | PU/PD | 0 | |
| | | mcasep5_axr2 | | 1 | IO | | | | | | | | | | |
| | | gpio5_8 | | 14 | IO | | | | | | | | | | |
| | | Driver off | | 15 | I | | | | | | | | | | |
| A16 | mcasep1_axr7 | mcasep1_axr7 | | 0 | IO | PD | PD | 15 | 1.8/3.3 | vddshv3 | Yes | Dual Voltage LVCMOS | PU/PD | 0 | |
| | | mcasep5_axr3 | | 1 | IO | | | | | | | | | | |
| | | timer4 | | 10 | IO | | | | | | | | | | |
| | | gpio5_9 | | 14 | IO | | | | | | | | | | |
| | | Driver off | | 15 | I | | | | | | | | | | |

Table 4-1. Pin Attributes⁽¹⁾ (continued)

| BALL NUMBER [1] | BALL NAME [2] | SIGNAL NAME [3] | PN [4] | MUXMODE [5] | TYPE [6] | BALL RESET STATE [7] | BALL RESET REL. STATE [8] | BALL RESET REL. MUXMODE [9] | I/O VOLTAGE VALUE [10] | POWER [11] | HYS [12] | BUFFER TYPE [13] | PULL UP/DOWN TYPE [14] | DSIS [15] |
|-----------------|---------------|-----------------|--------|-------------|----------|----------------------|---------------------------|-----------------------------|------------------------|------------|----------|---------------------|------------------------|-----------|
| A18 | mcasep1_axr8 | mcasep1_axr8 | | 0 | IO | PD | PD | 15 | 1.8/3.3 | vddshv3 | Yes | Dual Voltage LVCMOS | PU/PD | 0 |
| | | mcasep6_axr0 | | 1 | IO | | | | | | | | | 0 |
| | | spi3_sclk | | 3 | IO | | | | | | | | | 0 |
| | | vin1a_d15 | | 7 | I | | | | | | | | | 0 |
| | | timer5 | | 10 | IO | | | | | | | | | |
| | | pr2_mii0_txen | | 11 | O | | | | | | | | | |
| | | pr2_pru1_gpi10 | | 12 | I | | | | | | | | | |
| | | pr2_pru1_gpo10 | | 13 | O | | | | | | | | | |
| | | gpio5_10 | | 14 | IO | | | | | | | | | |
| | | Driver off | | 15 | I | | | | | | | | | |
| B17 | mcasep1_axr9 | mcasep1_axr9 | | 0 | IO | PD | PD | 15 | 1.8/3.3 | vddshv3 | Yes | Dual Voltage LVCMOS | PU/PD | 0 |
| | | mcasep6_axr1 | | 1 | IO | | | | | | | | | 0 |
| | | spi3_d1 | | 3 | IO | | | | | | | | | 0 |
| | | vin1a_d14 | | 7 | I | | | | | | | | | 0 |
| | | timer6 | | 10 | IO | | | | | | | | | |
| | | pr2_mii0_txd3 | | 11 | O | | | | | | | | | |
| | | pr2_pru1_gpi11 | | 12 | I | | | | | | | | | |
| | | pr2_pru1_gpo11 | | 13 | O | | | | | | | | | |
| | | gpio5_11 | | 14 | IO | | | | | | | | | |
| | | Driver off | | 15 | I | | | | | | | | | |
| B16 | mcasep1_axr10 | mcasep1_axr10 | | 0 | IO | PD | PD | 15 | 1.8/3.3 | vddshv3 | Yes | Dual Voltage LVCMOS | PU/PD | 0 |
| | | mcasep6_aclkx | | 1 | IO | | | | | | | | | 0 |
| | | mcasep6_aclkr | | 2 | IO | | | | | | | | | |
| | | spi3_d0 | | 3 | IO | | | | | | | | | 0 |
| | | vin1a_d13 | | 7 | I | | | | | | | | | 0 |
| | | timer7 | | 10 | IO | | | | | | | | | |
| | | pr2_mii0_txd2 | | 11 | O | | | | | | | | | |
| | | pr2_pru1_gpi12 | | 12 | I | | | | | | | | | |
| | | pr2_pru1_gpo12 | | 13 | O | | | | | | | | | |
| | | gpio5_12 | | 14 | IO | | | | | | | | | |
| Driver off | | 15 | I | | | | | | | | | | | |

Table 4-1. Pin Attributes⁽¹⁾ (continued)

| BALL NUMBER [1] | BALL NAME [2] | SIGNAL NAME [3] | PN [4] | MUXMODE [5] | TYPE [6] | BALL RESET STATE [7] | BALL RESET REL. STATE [8] | BALL RESET REL. MUXMODE [9] | I/O VOLTAGE VALUE [10] | POWER [11] | HYS [12] | BUFFER TYPE [13] | PULL UP/DOWN TYPE [14] | DSIS [15] |
|-----------------|---------------|-----------------|--------|-------------|----------|----------------------|---------------------------|-----------------------------|------------------------|------------|----------|---------------------|------------------------|-----------|
| B18 | mcasep1_axr11 | mcasep1_axr11 | | 0 | IO | PD | PD | 15 | 1.8/3.3 | vddshv3 | Yes | Dual Voltage LVCMOS | PU/PD | 0 |
| | | mcasep6_fsx | | 1 | IO | | | | | | | | | 0 |
| | | mcasep6_fsr | | 2 | IO | | | | | | | | | |
| | | spi3_cs0 | | 3 | IO | | | | | | | | | 1 |
| | | vin1a_d12 | | 7 | I | | | | | | | | | 0 |
| | | timer8 | | 10 | IO | | | | | | | | | |
| | | pr2_mii0_txd1 | | 11 | O | | | | | | | | | |
| | | pr2_pru1_gpi13 | | 12 | I | | | | | | | | | |
| | | pr2_pru1_gpo13 | | 13 | O | | | | | | | | | |
| | | gpio4_17 | | 14 | IO | | | | | | | | | |
| | | Driver off | | 15 | I | | | | | | | | | |
| A19 | mcasep1_axr12 | mcasep1_axr12 | | 0 | IO | PD | PD | 15 | 1.8/3.3 | vddshv3 | Yes | Dual Voltage LVCMOS | PU/PD | 0 |
| | | mcasep7_axr0 | | 1 | IO | | | | | | | | | 0 |
| | | spi3_cs1 | | 3 | IO | | | | | | | | | 1 |
| | | vin1a_d11 | | 7 | I | | | | | | | | | 0 |
| | | timer9 | | 10 | IO | | | | | | | | | |
| | | pr2_mii0_txd0 | | 11 | O | | | | | | | | | |
| | | pr2_pru1_gpi14 | | 12 | I | | | | | | | | | |
| | | pr2_pru1_gpo14 | | 13 | O | | | | | | | | | |
| | | gpio4_18 | | 14 | IO | | | | | | | | | |
| | | Driver off | | 15 | I | | | | | | | | | |
| E17 | mcasep1_axr13 | mcasep1_axr13 | | 0 | IO | PD | PD | 15 | 1.8/3.3 | vddshv3 | Yes | Dual Voltage LVCMOS | PU/PD | 0 |
| | | mcasep7_axr1 | | 1 | IO | | | | | | | | | 0 |
| | | vin1a_d10 | | 7 | I | | | | | | | | | 0 |
| | | timer10 | | 10 | IO | | | | | | | | | |
| | | pr2_mii_mr0_clk | | 11 | I | | | | | | | | | 0 |
| | | pr2_pru1_gpi15 | | 12 | I | | | | | | | | | |
| | | pr2_pru1_gpo15 | | 13 | O | | | | | | | | | |
| | | gpio6_4 | | 14 | IO | | | | | | | | | |
| | | Driver off | | 15 | I | | | | | | | | | |

Table 4-1. Pin Attributes⁽¹⁾ (continued)

| BALL NUMBER [1] | BALL NAME [2] | SIGNAL NAME [3] | PN [4] | MUXMODE [5] | TYPE [6] | BALL RESET STATE [7] | BALL RESET REL. STATE [8] | BALL RESET REL. MUXMODE [9] | I/O VOLTAGE VALUE [10] | POWER [11] | HYS [12] | BUFFER TYPE [13] | PULL UP/DOWN TYPE [14] | DSIS [15] |
|-----------------|---------------|-----------------|--------|-------------|----------|----------------------|---------------------------|-----------------------------|------------------------|------------|----------|---------------------|------------------------|-----------|
| E16 | mcasep1_axr14 | mcasep1_axr14 | | 0 | IO | PD | PD | 15 | 1.8/3.3 | vddshv3 | Yes | Dual Voltage LVCMOS | PU/PD | 0 |
| | | mcasep7_aclkx | | 1 | IO | | | | | | | | | 0 |
| | | mcasep7_aclkr | | 2 | IO | | | | | | | | | |
| | | vin1a_d9 | | 7 | I | | | | | | | | | 0 |
| | | timer11 | | 10 | IO | | | | | | | | | |
| | | pr2_mii0_rxdv | | 11 | I | | | | | | | | | 0 |
| | | pr2_pru1_gpi16 | | 12 | I | | | | | | | | | |
| | | pr2_pru1_gpo16 | | 13 | O | | | | | | | | | |
| | | gpio6_5 | | 14 | IO | | | | | | | | | |
| Driver off | | 15 | I | | | | | | | | | | | |
| F16 | mcasep1_axr15 | mcasep1_axr15 | | 0 | IO | PD | PD | 15 | 1.8/3.3 | vddshv3 | Yes | Dual Voltage LVCMOS | PU/PD | 0 |
| | | mcasep7_fsx | | 1 | IO | | | | | | | | | 0 |
| | | mcasep7_fsr | | 2 | IO | | | | | | | | | |
| | | vin1a_d8 | | 7 | I | | | | | | | | | 0 |
| | | timer12 | | 10 | IO | | | | | | | | | |
| | | pr2_mii0_rxd3 | | 11 | I | | | | | | | | | 0 |
| | | pr2_pru0_gpi20 | | 12 | I | | | | | | | | | |
| | | pr2_pru0_gpo20 | | 13 | O | | | | | | | | | |
| | | gpio6_6 | | 14 | IO | | | | | | | | | |
| Driver off | | 15 | I | | | | | | | | | | | |
| A20 | mcasep2_axr0 | mcasep2_axr0 | | 0 | IO | PD | PD | 15 | 1.8/3.3 | vddshv3 | Yes | Dual Voltage LVCMOS | PU/PD | 0 |
| | | Driver off | | 15 | I | | | | | | | | | |
| B19 | mcasep2_axr1 | mcasep2_axr1 | | 0 | IO | PD | PD | 15 | 1.8/3.3 | vddshv3 | Yes | Dual Voltage LVCMOS | PU/PD | 0 |
| | | Driver off | | 15 | I | | | | | | | | | |
| A21 | mcasep2_axr2 | mcasep2_axr2 | | 0 | IO | PD | PD | 15 | 1.8/3.3 | vddshv3 | Yes | Dual Voltage LVCMOS | PU/PD | 0 |
| | | mcasep3_axr2 | | 1 | IO | | | | | | | | | 0 |
| | | vin1a_d5 | | 7 | I | | | | | | | | | 0 |
| | | pr2_mii0_rxd0 | | 11 | I | | | | | | | | | 0 |
| | | pr2_pru0_gpi16 | | 12 | I | | | | | | | | | |
| | | pr2_pru0_gpo16 | | 13 | O | | | | | | | | | |
| | | gpio6_8 | | 14 | IO | | | | | | | | | |
| Driver off | | 15 | I | | | | | | | | | | | |

Table 4-1. Pin Attributes⁽¹⁾ (continued)

| BALL NUMBER [1] | BALL NAME [2] | SIGNAL NAME [3] | PN [4] | MUXMODE [5] | TYPE [6] | BALL RESET STATE [7] | BALL RESET REL. STATE [8] | BALL RESET REL. MUXMODE [9] | I/O VOLTAGE VALUE [10] | POWER [11] | HYS [12] | BUFFER TYPE [13] | PULL UP/DOWN TYPE [14] | DSIS [15] |
|-----------------|---------------|-----------------|--------|-------------|----------|----------------------|---------------------------|-----------------------------|------------------------|------------|----------|---------------------|------------------------|-----------|
| B21 | mcasep2_axr3 | mcasep2_axr3 | | 0 | IO | PD | PD | 15 | 1.8/3.3 | vddshv3 | Yes | Dual Voltage LVCMOS | PU/PD | 0 |
| | | mcasep3_axr3 | | 1 | IO | | | | | | | | | 0 |
| | | vin1a_d4 | | 7 | I | | | | | | | | | 0 |
| | | pr2_mii0_rxlink | | 11 | I | | | | | | | | | 0 |
| | | pr2_pru0_gpi17 | | 12 | I | | | | | | | | | |
| | | pr2_pru0_gpo17 | | 13 | O | | | | | | | | | |
| | | gpio6_9 | | 14 | IO | | | | | | | | | |
| Driver off | | 15 | I | | | | | | | | | | | |
| B20 | mcasep2_axr4 | mcasep2_axr4 | | 0 | IO | PD | PD | 15 | 1.8/3.3 | vddshv3 | Yes | Dual Voltage LVCMOS | PU/PD | 0 |
| | | mcasep8_axr0 | | 1 | IO | | | | | | | | | 0 |
| | | gpio1_4 | | 14 | IO | | | | | | | | | |
| | | Driver off | | 15 | I | | | | | | | | | |
| C19 | mcasep2_axr5 | mcasep2_axr5 | | 0 | IO | PD | PD | 15 | 1.8/3.3 | vddshv3 | Yes | Dual Voltage LVCMOS | PU/PD | 0 |
| | | mcasep8_axr1 | | 1 | IO | | | | | | | | | 0 |
| | | gpio6_7 | | 14 | IO | | | | | | | | | |
| | | Driver off | | 15 | I | | | | | | | | | |
| D20 | mcasep2_axr6 | mcasep2_axr6 | | 0 | IO | PD | PD | 15 | 1.8/3.3 | vddshv3 | Yes | Dual Voltage LVCMOS | PU/PD | 0 |
| | | mcasep8_aclkx | | 1 | IO | | | | | | | | | 0 |
| | | mcasep8_aclkr | | 2 | IO | | | | | | | | | |
| | | gpio2_29 | | 14 | IO | | | | | | | | | |
| | | Driver off | | 15 | I | | | | | | | | | |
| C20 | mcasep2_axr7 | mcasep2_axr7 | | 0 | IO | PD | PD | 15 | 1.8/3.3 | vddshv3 | Yes | Dual Voltage LVCMOS | PU/PD | 0 |
| | | mcasep8_fsx | | 1 | IO | | | | | | | | | 0 |
| | | mcasep8_fsr | | 2 | IO | | | | | | | | | |
| | | gpio1_5 | | 14 | IO | | | | | | | | | |
| | | Driver off | | 15 | I | | | | | | | | | |
| B22 | mcasep3_axr0 | mcasep3_axr0 | | 0 | IO | PD | PD | 15 | 1.8/3.3 | vddshv3 | Yes | Dual Voltage LVCMOS | PU/PD | 0 |
| | | mcasep2_axr14 | | 2 | IO | | | | | | | | | 0 |
| | | uart7_ctsn | | 3 | I | | | | | | | | | 1 |
| | | uart5_rxd | | 4 | I | | | | | | | | | 1 |
| | | vin1a_d1 | | 7 | I | | | | | | | | | 0 |
| | | pr2_mii1_rxer | | 11 | I | | | | | | | | | 0 |
| | | pr2_pru0_gpi14 | | 12 | I | | | | | | | | | |
| | | pr2_pru0_gpo14 | | 13 | O | | | | | | | | | |
| | | Driver off | | 15 | I | | | | | | | | | |

Table 4-1. Pin Attributes⁽¹⁾ (continued)

| BALL NUMBER [1] | BALL NAME [2] | SIGNAL NAME [3] | PN [4] | MUXMODE [5] | TYPE [6] | BALL RESET STATE [7] | BALL RESET REL. STATE [8] | BALL RESET REL. MUXMODE [9] | I/O VOLTAGE VALUE [10] | POWER [11] | HYS [12] | BUFFER TYPE [13] | PULL UP/DOWN TYPE [14] | DSIS [15] |
|-----------------|---------------|-----------------|--------|-------------|----------|----------------------|---------------------------|-----------------------------|------------------------|------------|----------|---------------------|------------------------|-----------|
| B23 | mcasep3_axr1 | mcasep3_axr1 | | 0 | IO | PD | PD | 15 | 1.8/3.3 | vddshv3 | Yes | Dual Voltage LVCMOS | PU/PD | 0 |
| | | mcasep2_axr15 | | 2 | IO | | | | | | | | | 0 |
| | | uart7_rtsn | | 3 | O | | | | | | | | | |
| | | uart5_txd | | 4 | O | | | | | | | | | |
| | | vin1a_d0 | | 7 | I | | | | | | | | | 0 |
| | | pr2_mii1_rxlink | | 11 | I | | | | | | | | | 0 |
| | | pr2_pru0_gpi15 | | 12 | I | | | | | | | | | |
| | | pr2_pru0_gpo15 | | 13 | O | | | | | | | | | |
| | | Driver off | | 15 | I | | | | | | | | | |
| A24 | mcasep4_axr0 | mcasep4_axr0 | | 0 | IO | PD | PD | 15 | 1.8/3.3 | vddshv3 | Yes | Dual Voltage LVCMOS | PU/PD | 0 |
| | | spi3_d0 | | 2 | IO | | | | | | | | | 0 |
| | | uart8_ctsn | | 3 | I | | | | | | | | | 1 |
| | | uart4_rxd | | 4 | I | | | | | | | | | 1 |
| | | Driver off | | 15 | I | | | | | | | | | |
| D23 | mcasep4_axr1 | mcasep4_axr1 | | 0 | IO | PD | PD | 15 | 1.8/3.3 | vddshv3 | Yes | Dual Voltage LVCMOS | PU/PD | 0 |
| | | spi3_cs0 | | 2 | IO | | | | | | | | | 1 |
| | | uart8_rtsn | | 3 | O | | | | | | | | | |
| | | uart4_txd | | 4 | O | | | | | | | | | |
| | | pr2_pru1_gpi0 | | 12 | I | | | | | | | | | |
| | | pr2_pru1_gpo0 | | 13 | O | | | | | | | | | |
| | | Driver off | | 15 | I | | | | | | | | | |
| AA5 | mcasep5_axr0 | mcasep5_axr0 | | 0 | IO | PD | PD | 15 | 1.8/3.3 | vddshv7 | Yes | Dual Voltage LVCMOS | PU/PD | 0 |
| | | spi4_d0 | | 2 | IO | | | | | | | | | 0 |
| | | uart9_ctsn | | 3 | I | | | | | | | | | 1 |
| | | uart3_rxd | | 4 | I | | | | | | | | | 1 |
| | | pr2_mdio_mdclk | | 11 | O | | | | | | | | | |
| | | pr2_pru1_gpi3 | | 12 | I | | | | | | | | | |
| | | pr2_pru1_gpo3 | | 13 | O | | | | | | | | | |
| | | Driver off | | 15 | I | | | | | | | | | |
| AC4 | mcasep5_axr1 | mcasep5_axr1 | | 0 | IO | PD | PD | 15 | 1.8/3.3 | vddshv7 | Yes | Dual Voltage LVCMOS | PU/PD | 0 |
| | | spi4_cs0 | | 2 | IO | | | | | | | | | 1 |
| | | uart9_rtsn | | 3 | O | | | | | | | | | |
| | | uart3_txd | | 4 | O | | | | | | | | | |
| | | pr2_mdio_data | | 11 | IO | | | | | | | | | 1 |
| | | pr2_pru1_gpi4 | | 12 | I | | | | | | | | | |
| | | pr2_pru1_gpo4 | | 13 | O | | | | | | | | | |
| | | Driver off | | 15 | I | | | | | | | | | |

Table 4-1. Pin Attributes⁽¹⁾ (continued)

| BALL NUMBER [1] | BALL NAME [2] | SIGNAL NAME [3] | PN [4] | MUXMODE [5] | TYPE [6] | BALL RESET STATE [7] | BALL RESET REL. STATE [8] | BALL RESET REL. MUXMODE [9] | I/O VOLTAGE VALUE [10] | POWER [11] | HYS [12] | BUFFER TYPE [13] | PULL UP/DOWN TYPE [14] | DSIS [15] |
|-----------------|---------------|-----------------|--------|-------------|----------|----------------------|---------------------------|-----------------------------|------------------------|------------|----------|---------------------|------------------------|-----------|
| L6 | mdio_d | mdio_d | | 0 | IO | PU | PU | 15 | 1.8/3.3 | vddshv9 | Yes | Dual Voltage LVCMOS | PU/PD | 1 |
| | | uart3_ctsn | | 1 | I | | | | | | | | | 1 |
| | | mii0_txer | | 3 | O | | | | | | | | | 0 |
| | | vin2a_d0 | | 4 | I | | | | | | | | | 0 |
| | | vin1b_d0 | | 5 | I | | | | | | | | | 0 |
| | | pr1_mii0_rxlink | | 11 | I | | | | | | | | | 0 |
| | | pr2_pru1_gpi1 | | 12 | I | | | | | | | | | |
| | | pr2_pru1_gpo1 | | 13 | O | | | | | | | | | |
| | | gpio5_16 | | 14 | IO | | | | | | | | | |
| | | Driver off | | 15 | I | | | | | | | | | |
| L5 | mdio_mclk | mdio_mclk | | 0 | O | PU | PU | 15 | 1.8/3.3 | vddshv9 | Yes | Dual Voltage LVCMOS | PU/PD | 1 |
| | | uart3_rtsn | | 1 | O | | | | | | | | | |
| | | mii0_col | | 3 | I | | | | | | | | | 0 |
| | | vin2a_clk0 | | 4 | I | | | | | | | | | |
| | | vin1b_clk1 | | 5 | I | | | | | | | | | 0 |
| | | pr1_mii0_col | | 11 | I | | | | | | | | | 0 |
| | | pr2_pru1_gpi0 | | 12 | I | | | | | | | | | |
| | | pr2_pru1_gpo0 | | 13 | O | | | | | | | | | |
| | | gpio5_15 | | 14 | IO | | | | | | | | | |
| | | Driver off | | 15 | I | | | | | | | | | |
| U1 | mlbp_clk_n | mlbp_clk_n | | 0 | I | | | | | vdds_mlbp | No | BMLB18 | | |
| U2 | mlbp_clk_p | mlbp_clk_p | | 0 | I | | | | | vdds_mlbp | No | BMLB18 | | |
| T1 | mlbp_dat_n | mlbp_dat_n | | 0 | IO | OFF | OFF | | | vdds_mlbp | No | BMLB18 | | |
| T2 | mlbp_dat_p | mlbp_dat_p | | 0 | IO | OFF | OFF | | | vdds_mlbp | No | BMLB18 | | |
| U4 | mlbp_sig_n | mlbp_sig_n | | 0 | IO | OFF | OFF | | | vdds_mlbp | No | BMLB18 | | |
| T3 | mlbp_sig_p | mlbp_sig_p | | 0 | IO | OFF | OFF | | | vdds_mlbp | No | BMLB18 | | |
| U3 | mmc1_clk | mmc1_clk | | 0 | IO | PU | PU | 15 | 1.8/3.3 | vddshv8 | Yes | SDIO2KV1 833 | Pux/PDy | 1 |
| | | gpio6_21 | | 14 | IO | | | | | | | | | |
| | | Driver off | | 15 | I | | | | | | | | | |
| V4 | mmc1_cmd | mmc1_cmd | | 0 | IO | PU | PU | 15 | 1.8/3.3 | vddshv8 | Yes | SDIO2KV1 833 | Pux/PDy | 1 |
| | | gpio6_22 | | 14 | IO | | | | | | | | | |
| | | Driver off | | 15 | I | | | | | | | | | |
| U5 | mmc1_sdcd | mmc1_sdcd | | 0 | I | PU | PU | 15 | 1.8/3.3 | vddshv8 | Yes | Dual Voltage LVCMOS | PU/PD | 1 |
| | | uart6_rxd | | 3 | I | | | | | | | | | 1 |
| | | i2c4_sda | | 4 | IO | | | | | | | | | 1 |
| | | gpio6_27 | | 14 | IO | | | | | | | | | |
| | | Driver off | | 15 | I | | | | | | | | | |

Table 4-1. Pin Attributes⁽¹⁾ (continued)

| BALL NUMBER [1] | BALL NAME [2] | SIGNAL NAME [3] | PN [4] | MUXMODE [5] | TYPE [6] | BALL RESET STATE [7] | BALL RESET REL. STATE [8] | BALL RESET REL. MUXMODE [9] | I/O VOLTAGE VALUE [10] | POWER [11] | HYS [12] | BUFFER TYPE [13] | PULL UP/DOWN TYPE [14] | DSIS [15] | |
|-------------------|---------------|------------------------|----------|-------------|----------|----------------------|---------------------------|-----------------------------|------------------------|------------|----------|---------------------|------------------------|-----------|---------------------|
| V5 | mmc1_sdwp | mmc1_sdwp | | 0 | I | PD | PD | 15 | 1.8/3.3 | vddshv8 | Yes | Dual Voltage LVCMOS | PU/PD | 0 | |
| | | uart6_txd | | 3 | O | | | | | | | | | | |
| | | i2c4_scl | | 4 | IO | | | | | | | | | | 1 |
| | | gpio6_28 | | 14 | IO | | | | | | | | | | |
| | | Driver off | | 15 | I | | | | | | | | | | |
| Y2 | mmc3_clk | mmc3_clk | | 0 | IO | PU | PU | 15 | 1.8/3.3 | vddshv7 | Yes | Dual Voltage LVCMOS | PU/PD | 1 | |
| | | vin2b_d7 | | 4 | I | | | | | | | | | | 0 |
| | | vin1a_d7 | | 9 | I | | | | | | | | | | 0 |
| | | ehrpwm2_tripzone_input | | 10 | IO | | | | | | | | | | 0 |
| | | pr2_mii1_txd3 | | 11 | O | | | | | | | | | | |
| | | pr2_pru0_gpi2 | | 12 | I | | | | | | | | | | |
| | | pr2_pru0_gpo2 | | 13 | O | | | | | | | | | | |
| | | gpio6_29 | | 14 | IO | | | | | | | | | | |
| | | Driver off | | 15 | I | | | | | | | | | | |
| | | Y1 | mmc3_cmd | mmc3_cmd | | 0 | IO | PU | PU | 15 | 1.8/3.3 | | vddshv7 | Yes | Dual Voltage LVCMOS |
| spi3_sclk | | | | 1 | IO | | | | | | | | | 0 | |
| vin2b_d6 | | | | 4 | I | | | | | | | | | 0 | |
| vin1a_d6 | | | | 9 | I | | | | | | | | | 0 | |
| eCAP2_in_PWM2_out | | | | 10 | IO | | | | | | | | | 0 | |
| pr2_mii1_txd2 | | | | 11 | O | | | | | | | | | | |
| pr2_pru0_gpi3 | | | | 12 | I | | | | | | | | | | |
| pr2_pru0_gpo3 | | | | 13 | O | | | | | | | | | | |
| gpio6_30 | | | | 14 | IO | | | | | | | | | | |
| Driver off | | | | 15 | I | | | | | | | | | | |
| V3 | mmc1_dat0 | mmc1_dat0 | | 0 | IO | PU | PU | 15 | 1.8/3.3 | vddshv8 | Yes | SDIO2KV1 833 | Pux/PDy | 1 | |
| | | gpio6_23 | | 14 | IO | | | | | | | | | | |
| | | Driver off | | 15 | I | | | | | | | | | | |
| V2 | mmc1_dat1 | mmc1_dat1 | | 0 | IO | PU | PU | 15 | 1.8/3.3 | vddshv8 | Yes | SDIO2KV1 833 | Pux/PDy | 1 | |
| | | gpio6_24 | | 14 | IO | | | | | | | | | | |
| | | Driver off | | 15 | I | | | | | | | | | | |
| W1 | mmc1_dat2 | mmc1_dat2 | | 0 | IO | PU | PU | 15 | 1.8/3.3 | vddshv8 | Yes | SDIO2KV1 833 | Pux/PDy | 1 | |
| | | gpio6_25 | | 14 | IO | | | | | | | | | | |
| | | Driver off | | 15 | I | | | | | | | | | | |
| V1 | mmc1_dat3 | mmc1_dat3 | | 0 | IO | PU | PU | 15 | 1.8/3.3 | vddshv8 | Yes | SDIO2KV1 833 | Pux/PDy | 1 | |
| | | gpio6_26 | | 14 | IO | | | | | | | | | | |
| | | Driver off | | 15 | I | | | | | | | | | | |

Table 4-1. Pin Attributes⁽¹⁾ (continued)

| BALL NUMBER [1] | BALL NAME [2] | SIGNAL NAME [3] | PN [4] | MUXMODE [5] | TYPE [6] | BALL RESET STATE [7] | BALL RESET REL. STATE [8] | BALL RESET REL. MUXMODE [9] | I/O VOLTAGE VALUE [10] | POWER [11] | HYS [12] | BUFFER TYPE [13] | PULL UP/DOWN TYPE [14] | DSIS [15] |
|-----------------|---------------|-----------------|--------|-------------|----------|----------------------|---------------------------|-----------------------------|------------------------|------------|----------|---------------------|------------------------|-----------|
| Y4 | mmc3_dat0 | mmc3_dat0 | | 0 | IO | PU | PU | 15 | 1.8/3.3 | vddshv7 | Yes | Dual Voltage LVCMOS | PU/PD | 1 |
| | | spi3_d1 | | 1 | IO | | | | | | | | | 0 |
| | | uart5_rxd | | 2 | I | | | | | | | | | 1 |
| | | vin2b_d5 | | 4 | I | | | | | | | | | 0 |
| | | vin1a_d5 | | 9 | I | | | | | | | | | 0 |
| | | eQEP3A_in | | 10 | I | | | | | | | | | 0 |
| | | pr2_mii1_txd1 | | 11 | O | | | | | | | | | |
| | | pr2_pru0_gpi4 | | 12 | I | | | | | | | | | |
| | | pr2_pru0_gpo4 | | 13 | O | | | | | | | | | |
| | | gpio6_31 | | 14 | IO | | | | | | | | | |
| | | Driver off | | 15 | I | | | | | | | | | |
| AA2 | mmc3_dat1 | mmc3_dat1 | | 0 | IO | PU | PU | 15 | 1.8/3.3 | vddshv7 | Yes | Dual Voltage LVCMOS | PU/PD | 1 |
| | | spi3_d0 | | 1 | IO | | | | | | | | | 0 |
| | | uart5_txd | | 2 | O | | | | | | | | | |
| | | vin2b_d4 | | 4 | I | | | | | | | | | 0 |
| | | vin1a_d4 | | 9 | I | | | | | | | | | 0 |
| | | eQEP3B_in | | 10 | I | | | | | | | | | 0 |
| | | pr2_mii1_txd0 | | 11 | O | | | | | | | | | |
| | | pr2_pru0_gpi5 | | 12 | I | | | | | | | | | |
| | | pr2_pru0_gpo5 | | 13 | O | | | | | | | | | |
| | | gpio7_0 | | 14 | IO | | | | | | | | | |
| | | Driver off | | 15 | I | | | | | | | | | |
| AA3 | mmc3_dat2 | mmc3_dat2 | | 0 | IO | PU | PU | 15 | 1.8/3.3 | vddshv7 | Yes | Dual Voltage LVCMOS | PU/PD | 1 |
| | | spi3_cs0 | | 1 | IO | | | | | | | | | 1 |
| | | uart5_ctsn | | 2 | I | | | | | | | | | 1 |
| | | vin2b_d3 | | 4 | I | | | | | | | | | 0 |
| | | vin1a_d3 | | 9 | I | | | | | | | | | 0 |
| | | eQEP3_index | | 10 | IO | | | | | | | | | 0 |
| | | pr2_mii_mr1_clk | | 11 | I | | | | | | | | | 0 |
| | | pr2_pru0_gpi6 | | 12 | I | | | | | | | | | |
| | | pr2_pru0_gpo6 | | 13 | O | | | | | | | | | |
| | | gpio7_1 | | 14 | IO | | | | | | | | | |
| | | Driver off | | 15 | I | | | | | | | | | |

Table 4-1. Pin Attributes⁽¹⁾ (continued)

| BALL NUMBER [1] | BALL NAME [2] | SIGNAL NAME [3] | PN [4] | MUXMODE [5] | TYPE [6] | BALL RESET STATE [7] | BALL RESET REL. STATE [8] | BALL RESET REL. MUXMODE [9] | I/O VOLTAGE VALUE [10] | POWER [11] | HYS [12] | BUFFER TYPE [13] | PULL UP/DOWN TYPE [14] | DSIS [15] |
|-----------------|---------------|-----------------|--------|-------------|----------|----------------------|---------------------------|-----------------------------|------------------------|------------|----------|---------------------|------------------------|-----------|
| W2 | mmc3_dat3 | mmc3_dat3 | | 0 | IO | PU | PU | 15 | 1.8/3.3 | vddshv7 | Yes | Dual Voltage LVCMOS | PU/PD | 1 |
| | | spi3_cs1 | | 1 | IO | | | | | | | | | 1 |
| | | uart5_rtsn | | 2 | O | | | | | | | | | |
| | | vin2b_d2 | | 4 | I | | | | | | | | | 0 |
| | | vin1a_d2 | | 9 | I | | | | | | | | | 0 |
| | | eQEP3_strobe | | 10 | IO | | | | | | | | | 0 |
| | | pr2_mii1_rxdv | | 11 | I | | | | | | | | | 0 |
| | | pr2_pru0_gpi7 | | 12 | I | | | | | | | | | |
| | | pr2_pru0_gpo7 | | 13 | O | | | | | | | | | |
| | | gpio7_2 | | 14 | IO | | | | | | | | | |
| | | Driver off | | 15 | I | | | | | | | | | |
| Y3 | mmc3_dat4 | mmc3_dat4 | | 0 | IO | PU | PU | 15 | 1.8/3.3 | vddshv7 | Yes | Dual Voltage LVCMOS | PU/PD | 1 |
| | | spi4_sclk | | 1 | IO | | | | | | | | | 0 |
| | | uart10_rxd | | 2 | I | | | | | | | | | 1 |
| | | vin2b_d1 | | 4 | I | | | | | | | | | 0 |
| | | vin1a_d1 | | 9 | I | | | | | | | | | 0 |
| | | ehrpwm3A | | 10 | O | | | | | | | | | |
| | | pr2_mii1_rxd3 | | 11 | I | | | | | | | | | 0 |
| | | pr2_pru0_gpi8 | | 12 | I | | | | | | | | | |
| | | pr2_pru0_gpo8 | | 13 | O | | | | | | | | | |
| | | gpio1_22 | | 14 | IO | | | | | | | | | |
| | | Driver off | | 15 | I | | | | | | | | | |
| AA1 | mmc3_dat5 | mmc3_dat5 | | 0 | IO | PU | PU | 15 | 1.8/3.3 | vddshv7 | Yes | Dual Voltage LVCMOS | PU/PD | 1 |
| | | spi4_d1 | | 1 | IO | | | | | | | | | 0 |
| | | uart10_txd | | 2 | O | | | | | | | | | |
| | | vin2b_d0 | | 4 | I | | | | | | | | | 0 |
| | | vin1a_d0 | | 9 | I | | | | | | | | | 0 |
| | | ehrpwm3B | | 10 | O | | | | | | | | | |
| | | pr2_mii1_rxd2 | | 11 | I | | | | | | | | | 0 |
| | | pr2_pru0_gpi9 | | 12 | I | | | | | | | | | |
| | | pr2_pru0_gpo9 | | 13 | O | | | | | | | | | |
| | | gpio1_23 | | 14 | IO | | | | | | | | | |
| | | Driver off | | 15 | I | | | | | | | | | |

Table 4-1. Pin Attributes⁽¹⁾ (continued)

| BALL NUMBER [1] | BALL NAME [2] | SIGNAL NAME [3] | PN [4] | MUXMODE [5] | TYPE [6] | BALL RESET STATE [7] | BALL RESET REL. STATE [8] | BALL RESET REL. MUXMODE [9] | I/O VOLTAGE VALUE [10] | POWER [11] | HYS [12] | BUFFER TYPE [13] | PULL UP/DOWN TYPE [14] | DSIS [15] |
|-----------------|---------------|------------------------|--------|-------------|----------|----------------------|---------------------------|-----------------------------|------------------------|------------|----------|---------------------|------------------------|-----------|
| AA4 | mmc3_dat6 | mmc3_dat6 | | 0 | IO | PU | PU | 15 | 1.8/3.3 | vddshv7 | Yes | Dual Voltage LVCMOS | PU/PD | 1 |
| | | spi4_d0 | | 1 | IO | | | | | | | | | 0 |
| | | uart10_ctsn | | 2 | I | | | | | | | | | 1 |
| | | vin2b_de1 | | 4 | I | | | | | | | | | |
| | | vin1a_hsync0 | | 9 | I | | | | | | | | | 0 |
| | | ehrpwm3_tripzone_input | | 10 | IO | | | | | | | | | 0 |
| | | pr2_mii1_rxd1 | | 11 | I | | | | | | | | | 0 |
| | | pr2_pru0_gpi10 | | 12 | I | | | | | | | | | |
| | | pr2_pru0_gpo10 | | 13 | O | | | | | | | | | |
| | | gpio1_24 | | 14 | IO | | | | | | | | | |
| | | Driver off | | 15 | I | | | | | | | | | |
| AB1 | mmc3_dat7 | mmc3_dat7 | | 0 | IO | PU | PU | 15 | 1.8/3.3 | vddshv7 | Yes | Dual Voltage LVCMOS | PU/PD | 1 |
| | | spi4_cs0 | | 1 | IO | | | | | | | | | 1 |
| | | uart10_rtsn | | 2 | O | | | | | | | | | |
| | | vin2b_clk1 | | 4 | I | | | | | | | | | |
| | | vin1a_vsync0 | | 9 | I | | | | | | | | | 0 |
| | | eCAP3_in_PWM3_out | | 10 | IO | | | | | | | | | 0 |
| | | pr2_mii1_rxd0 | | 11 | I | | | | | | | | | 0 |
| | | pr2_pru0_gpi11 | | 12 | I | | | | | | | | | |
| | | pr2_pru0_gpo11 | | 13 | O | | | | | | | | | |
| | | gpio1_25 | | 14 | IO | | | | | | | | | |
| | | Driver off | | 15 | I | | | | | | | | | |
| L24 | nmin_dsp | nmin_dsp | | 0 | I | PD | PD | | 1.8/3.3 | vddshv3 | Yes | Dual Voltage LVCMOS | PU/PD | |
| AE6 | pcie_rxn0 | pcie_rxn0 | | 0 | I | OFF | OFF | | 1.8 | vdda_pcie | | SERDES | | |
| AD7 | pcie_rxp0 | pcie_rxp0 | | 0 | I | OFF | OFF | | 1.8 | vdda_pcie | | SERDES | | |
| AE8 | pcie_txn0 | pcie_txn0 | | 0 | O | | | | 1.8 | vdda_pcie | | SERDES | | |
| AD9 | pcie_txp0 | pcie_txp0 | | 0 | O | | | | 1.8 | vdda_pcie | | SERDES | | |
| F19 | porz | porz | | 0 | I | | | | 1.8/3.3 | vddshv3 | Yes | IHHV1833 | PU/PD | |
| K24 | resetn | resetn | | 0 | I | PU | PU | | 1.8/3.3 | vddshv3 | Yes | Dual Voltage LVCMOS | PU/PD | |

Table 4-1. Pin Attributes⁽¹⁾ (continued)

| BALL NUMBER [1] | BALL NAME [2] | SIGNAL NAME [3] | PN [4] | MUXMODE [5] | TYPE [6] | BALL RESET STATE [7] | BALL RESET REL. STATE [8] | BALL RESET REL. MUXMODE [9] | I/O VOLTAGE VALUE [10] | POWER [11] | HYS [12] | BUFFER TYPE [13] | PULL UP/DOWN TYPE [14] | DSIS [15] | |
|-----------------|---------------|-----------------|--------|-------------|----------|----------------------|---------------------------|-----------------------------|------------------------|------------|----------|---------------------|------------------------|-----------|--|
| N2 | rgmii0_rxc | rgmii0_rxc | | 0 | I | PD | PD | 15 | 1.8/3.3 | vddshv9 | Yes | Dual Voltage LVCMOS | PU/PD | 0 | |
| | | rmii1_txen | | 2 | O | | | | | | | | | | |
| | | mii0_txclk | | 3 | I | | | | | | | | | | |
| | | vin2a_d5 | | 4 | I | | | | | | | | | | |
| | | vin1b_d5 | | 5 | I | | | | | | | | | | |
| | | pr1_mii_mt0_clk | | 11 | I | | | | | | | | | | |
| | | pr2_pru1_gpi11 | | 12 | I | | | | | | | | | | |
| | | pr2_pru1_gpo11 | | 13 | O | | | | | | | | | | |
| | | gpio5_26 | | 14 | IO | | | | | | | | | | |
| | | Driver off | | 15 | I | | | | | | | | | | |
| P2 | rgmii0_rxc | rgmii0_rxc | | 0 | I | PD | PD | 15 | 1.8/3.3 | vddshv9 | Yes | Dual Voltage LVCMOS | PU/PD | 0 | |
| | | rmii1_txd1 | | 2 | O | | | | | | | | | | |
| | | mii0_txd3 | | 3 | O | | | | | | | | | | |
| | | vin2a_d6 | | 4 | I | | | | | | | | | | |
| | | vin1b_d6 | | 5 | I | | | | | | | | | | |
| | | pr1_mii0_txd3 | | 11 | O | | | | | | | | | | |
| | | pr2_pru1_gpi12 | | 12 | I | | | | | | | | | | |
| | | pr2_pru1_gpo12 | | 13 | O | | | | | | | | | | |
| | | gpio5_27 | | 14 | IO | | | | | | | | | | |
| | | Driver off | | 15 | I | | | | | | | | | | |
| T4 | rgmii0_txc | rgmii0_txc | | 0 | O | PD | PD | 15 | 1.8/3.3 | vddshv9 | Yes | Dual Voltage LVCMOS | PU/PD | | |
| | | uart3_ctsn | | 1 | I | | | | | | | | | | |
| | | rmii1_rxd1 | | 2 | I | | | | | | | | | | |
| | | mii0_rxd3 | | 3 | I | | | | | | | | | | |
| | | vin2a_d3 | | 4 | I | | | | | | | | | | |
| | | vin1b_d3 | | 5 | I | | | | | | | | | | |
| | | spi3_d0 | | 7 | IO | | | | | | | | | | |
| | | spi4_cs2 | | 8 | IO | | | | | | | | | | |
| | | pr1_mii0_rxd3 | | 11 | I | | | | | | | | | | |
| | | pr2_pru1_gpi5 | | 12 | I | | | | | | | | | | |
| | | pr2_pru1_gpo5 | | 13 | O | | | | | | | | | | |
| | | gpio5_20 | | 14 | IO | | | | | | | | | | |
| | | Driver off | | 15 | I | | | | | | | | | | |

Table 4-1. Pin Attributes⁽¹⁾ (continued)

| BALL NUMBER [1] | BALL NAME [2] | SIGNAL NAME [3] | PN [4] | MUXMODE [5] | TYPE [6] | BALL RESET STATE [7] | BALL RESET REL. STATE [8] | BALL RESET REL. MUXMODE [9] | I/O VOLTAGE VALUE [10] | POWER [11] | HYS [12] | BUFFER TYPE [13] | PULL UP/DOWN TYPE [14] | DSIS [15] | |
|-----------------|---------------|-----------------|-------------|-------------|----------|----------------------|---------------------------|-----------------------------|------------------------|------------|----------|---------------------|------------------------|---------------------|-------|
| T5 | rgmii0_tctl | rgmii0_tctl | | 0 | O | PD | PD | 15 | 1.8/3.3 | vddshv9 | Yes | Dual Voltage LVCMOS | PU/PD | | |
| | | uart3_rtsn | | 1 | O | | | | | | | | | | |
| | | rmii1_rxd0 | | 2 | I | | | | | | | | | | 0 |
| | | mii0_rxd2 | | 3 | I | | | | | | | | | | 0 |
| | | vin2a_d4 | | 4 | I | | | | | | | | | | 0 |
| | | vin1b_d4 | | 5 | I | | | | | | | | | | 0 |
| | | spl3_cs0 | | 7 | IO | | | | | | | | | | 1 |
| | | spl4_cs3 | | 8 | IO | | | | | | | | | | 1 |
| | | pr1_mii0_rxd2 | | 11 | I | | | | | | | | | | 0 |
| | | pr2_pru1_gpi6 | | 12 | I | | | | | | | | | | |
| | | pr2_pru1_gpo6 | | 13 | O | | | | | | | | | | |
| | | gpio5_21 | | 14 | IO | | | | | | | | | | |
| | | Driver off | | 15 | I | | | | | | | | | | |
| | | N4 | rgmii0_rxd0 | rgmii0_rxd0 | | 0 | I | PD | PD | 15 | 1.8/3.3 | | | vddshv9 | Yes |
| rmii0_txd0 | | | | 1 | O | | | | | | | | | | |
| mii0_txd0 | | | | 3 | O | | | | | | | | | | |
| vin2a_fld0 | | | | 4 | I | | | | | | | | | | |
| vin1b_fld1 | | | | 5 | I | | | | | | | | 0 | | |
| pr1_mii0_txd0 | | | | 11 | O | | | | | | | | | | |
| pr2_pru1_gpi16 | | | | 12 | I | | | | | | | | | | |
| pr2_pru1_gpo16 | | | | 13 | O | | | | | | | | | | |
| gpio5_31 | | | | 14 | IO | | | | | | | | | | |
| Driver off | | | | 15 | I | | | | | | | | | | |
| N3 | rgmii0_rxd1 | | | rgmii0_rxd1 | | 0 | I | PD | PD | 15 | 1.8/3.3 | vddshv9 | Yes | Dual Voltage LVCMOS | PU/PD |
| | | rmii0_txd1 | | 1 | O | | | | | | | | | | |
| | | mii0_txd1 | | 3 | O | | | | | | | | | | |
| | | vin2a_d9 | | 4 | I | | | | | | | | 0 | | |
| | | pr1_mii0_txd1 | | 11 | O | | | | | | | | | | |
| | | pr2_pru1_gpi15 | | 12 | I | | | | | | | | | | |
| | | pr2_pru1_gpo15 | | 13 | O | | | | | | | | | | |
| | | gpio5_30 | | 14 | IO | | | | | | | | | | |
| | | Driver off | | 15 | I | | | | | | | | | | |

Table 4-1. Pin Attributes⁽¹⁾ (continued)

| BALL NUMBER [1] | BALL NAME [2] | SIGNAL NAME [3] | PN [4] | MUXMODE [5] | TYPE [6] | BALL RESET STATE [7] | BALL RESET REL. STATE [8] | BALL RESET REL. MUXMODE [9] | I/O VOLTAGE VALUE [10] | POWER [11] | HYS [12] | BUFFER TYPE [13] | PULL UP/DOWN TYPE [14] | DSIS [15] | | |
|-----------------|---------------|-----------------|--------|-------------|----------|----------------------|---------------------------|-----------------------------|------------------------|------------|----------|---------------------|------------------------|-----------|---|--|
| P1 | rgmii0_rxd2 | rgmii0_rxd2 | | 0 | I | PD | PD | 15 | 1.8/3.3 | vddshv9 | Yes | Dual Voltage LVCMOS | PU/PD | 0 | | |
| | | rmii0_txen | | 1 | O | | | | | | | | | | | |
| | | mii0_txen | | 3 | O | | | | | | | | | | | |
| | | vin2a_d8 | | 4 | I | | | | | | | | | | 0 | |
| | | pr1_mii0_txen | | 11 | O | | | | | | | | | | | |
| | | pr2_pru1_gpi14 | | 12 | I | | | | | | | | | | | |
| | | pr2_pru1_gpo14 | | 13 | O | | | | | | | | | | | |
| | | gpio5_29 | | 14 | IO | | | | | | | | | | | |
| | | Driver off | | 15 | I | | | | | | | | | | | |
| N1 | rgmii0_rxd3 | rgmii0_rxd3 | | 0 | I | PD | PD | 15 | 1.8/3.3 | vddshv9 | Yes | Dual Voltage LVCMOS | PU/PD | 0 | | |
| | | rmii1_txd0 | | 2 | O | | | | | | | | | | | |
| | | mii0_txd2 | | 3 | O | | | | | | | | | | | |
| | | vin2a_d7 | | 4 | I | | | | | | | | | | 0 | |
| | | vin1b_d7 | | 5 | I | | | | | | | | | | 0 | |
| | | pr1_mii0_txd2 | | 11 | O | | | | | | | | | | | |
| | | pr2_pru1_gpi13 | | 12 | I | | | | | | | | | | | |
| | | pr2_pru1_gpo13 | | 13 | O | | | | | | | | | | | |
| | | gpio5_28 | | 14 | IO | | | | | | | | | | | |
| Driver off | | 15 | I | | | | | | | | | | | | | |
| R1 | rgmii0_txd0 | rgmii0_txd0 | | 0 | O | PD | PD | 15 | 1.8/3.3 | vddshv9 | Yes | Dual Voltage LVCMOS | PU/PD | | | |
| | | rmii0_rxd0 | | 1 | I | | | | | | | | | | 0 | |
| | | mii0_rxd0 | | 3 | I | | | | | | | | | | 0 | |
| | | vin2a_d10 | | 4 | I | | | | | | | | | | 0 | |
| | | spi4_cs0 | | 7 | IO | | | | | | | | | | 1 | |
| | | uart4_rtsn | | 8 | O | | | | | | | | | | | |
| | | pr1_mii0_rxd0 | | 11 | I | | | | | | | | | | 0 | |
| | | pr2_pru1_gpi10 | | 12 | I | | | | | | | | | | | |
| | | pr2_pru1_gpo10 | | 13 | O | | | | | | | | | | | |
| gpio5_25 | | 14 | IO | | | | | | | | | | | | | |
| Driver off | | 15 | I | | | | | | | | | | | | | |

Table 4-1. Pin Attributes⁽¹⁾ (continued)

| BALL NUMBER [1] | BALL NAME [2] | SIGNAL NAME [3] | PN [4] | MUXMODE [5] | TYPE [6] | BALL RESET STATE [7] | BALL RESET REL. STATE [8] | BALL RESET REL. MUXMODE [9] | I/O VOLTAGE VALUE [10] | POWER [11] | HYS [12] | BUFFER TYPE [13] | PULL UP/DOWN TYPE [14] | DSIS [15] | | | | |
|-----------------|---------------|-----------------|-------------|-------------|----------|----------------------|---------------------------|-----------------------------|------------------------|------------|----------|---------------------|------------------------|---------------------|-------|---------------------|-------|---|
| R2 | rgmii0_txd1 | rgmii0_txd1 | | 0 | O | PD | PD | 15 | 1.8/3.3 | vddshv9 | Yes | Dual Voltage LVCMOS | PU/PD | | | | | |
| | | rmii0_rxd1 | | 1 | I | | | | | | | | | 0 | | | | |
| | | mii0_rxd1 | | 3 | I | | | | | | | | | 0 | | | | |
| | | vin2a_vsync0 | | 4 | I | | | | | | | | | 0 | | | | |
| | | vin1b_vsync1 | | 5 | I | | | | | | | | | 0 | | | | |
| | | spi4_d0 | | 7 | IO | | | | | | | | | 0 | | | | |
| | | uart4_ctsn | | 8 | IO | | | | | | | | | 1 | | | | |
| | | pr1_mii0_rxd1 | | 11 | I | | | | | | | | | 0 | | | | |
| | | pr2_pru1_gpi9 | | 12 | I | | | | | | | | | | | | | |
| | | pr2_pru1_gpo9 | | 13 | O | | | | | | | | | | | | | |
| | | gpio5_24 | | 14 | IO | | | | | | | | | | | | | |
| | | Driver off | | 15 | I | | | | | | | | | | | | | |
| | | P3 | rgmii0_txd2 | rgmii0_txd2 | | 0 | O | PD | PD | 15 | 1.8/3.3 | | | vddshv9 | Yes | Dual Voltage LVCMOS | PU/PD | |
| | | | | rmii0_rxer | | 1 | I | | | | | | | | | | | 0 |
| mii0_rxer | | | | 3 | I | | | | | | | 0 | | | | | | |
| vin2a_hsync0 | | | | 4 | I | | | | | | | 0 | | | | | | |
| vin1b_hsync1 | | | | 5 | I | | | | | | | 0 | | | | | | |
| spi4_d1 | | | | 7 | IO | | | | | | | 0 | | | | | | |
| uart4_txd | | | | 8 | O | | | | | | | | | | | | | |
| pr1_mii0_rxer | | | | 11 | I | | | | | | | 0 | | | | | | |
| pr2_pru1_gpi8 | | | | 12 | I | | | | | | | | | | | | | |
| pr2_pru1_gpo8 | | | | 13 | O | | | | | | | | | | | | | |
| gpio5_23 | | | | 14 | IO | | | | | | | | | | | | | |
| Driver off | | | | 15 | I | | | | | | | | | | | | | |
| P4 | rgmii0_txd3 | | | rgmii0_txd3 | | 0 | O | PD | PD | 15 | 1.8/3.3 | vddshv9 | Yes | Dual Voltage LVCMOS | PU/PD | | | |
| | | | | rmii0_crs | | 1 | I | | | | | | | | | | | 0 |
| | | mii0_crs | | 3 | I | | | | | | | 0 | | | | | | |
| | | vin2a_de0 | | 4 | I | | | | | | | 0 | | | | | | |
| | | vin1b_de1 | | 5 | I | | | | | | | 0 | | | | | | |
| | | spi4_sclk | | 7 | IO | | | | | | | 0 | | | | | | |
| | | uart4_rxd | | 8 | I | | | | | | | 1 | | | | | | |
| | | pr1_mii0_crs | | 11 | I | | | | | | | 0 | | | | | | |
| | | pr2_pru1_gpi7 | | 12 | I | | | | | | | | | | | | | |
| | | pr2_pru1_gpo7 | | 13 | O | | | | | | | | | | | | | |
| | | gpio5_22 | | 14 | IO | | | | | | | | | | | | | |
| | | Driver off | | 15 | I | | | | | | | | | | | | | |

Table 4-1. Pin Attributes⁽¹⁾ (continued)

| BALL NUMBER [1] | BALL NAME [2] | SIGNAL NAME [3] | PN [4] | MUXMODE [5] | TYPE [6] | BALL RESET STATE [7] | BALL RESET REL. STATE [8] | BALL RESET REL. MUXMODE [9] | I/O VOLTAGE VALUE [10] | POWER [11] | HYS [12] | BUFFER TYPE [13] | PULL UP/DOWN TYPE [14] | DSIS [15] |
|-----------------|-----------------|-----------------|--------|-------------|----------|----------------------|---------------------------|-----------------------------|------------------------|------------|----------|---------------------|------------------------|-----------|
| P5 | RMII_MHZ_50_CLK | RMII_MHZ_50_CLK | | 0 | IO | PD | PD | 15 | 1.8/3.3 | vddshv9 | Yes | Dual Voltage LVCMOS | PU/PD | 0 |
| | | vin2a_d11 | | 4 | I | | | | | | | | | 0 |
| | | pr2_pru1_gpi2 | | 12 | I | | | | | | | | | |
| | | pr2_pru1_gpo2 | | 13 | O | | | | | | | | | |
| | | gpio5_17 | | 14 | IO | | | | | | | | | |
| | | Driver off | | 15 | I | | | | | | | | | |
| E20 | rstoutn | rstoutn | | 0 | O | PD | PD | | 1.8/3.3 | vddshv3 | Yes | Dual Voltage LVCMOS | PU/PD | |
| K25 | rtck | rtck | | 0 | O | PU | OFF | 0 | 1.8/3.3 | vddshv3 | Yes | Dual Voltage LVCMOS | PU/PD | |
| | | gpio8_29 | | 14 | IO | | | | | | | | | |
| C24 | spi1_sclk | spi1_sclk | | 0 | IO | PD | PD | 15 | 1.8/3.3 | vddshv3 | Yes | Dual Voltage LVCMOS | PU/PD | 0 |
| | | gpio7_7 | | 14 | IO | | | | | | | | | |
| | | Driver off | | 15 | I | | | | | | | | | |
| G25 | spi2_sclk | spi2_sclk | | 0 | IO | PD | PD | 15 | 1.8/3.3 | vddshv3 | Yes | Dual Voltage LVCMOS | PU/PD | 0 |
| | | uart3_rxd | | 1 | I | | | | | | | | | 1 |
| | | gpio7_14 | | 14 | IO | | | | | | | | | |
| | | Driver off | | 15 | I | | | | | | | | | |
| B24 | spi1_cs0 | spi1_cs0 | | 0 | IO | PU | PU | 15 | 1.8/3.3 | vddshv3 | Yes | Dual Voltage LVCMOS | PU/PD | 1 |
| | | gpio7_10 | | 14 | IO | | | | | | | | | |
| | | Driver off | | 15 | I | | | | | | | | | |
| C25 | spi1_cs1 | spi1_cs1 | | 0 | IO | PU | PU | 15 | 1.8/3.3 | vddshv3 | Yes | Dual Voltage LVCMOS | PU/PD | 1 |
| | | spi2_cs1 | | 3 | IO | | | | | | | | | 1 |
| | | gpio7_11 | | 14 | IO | | | | | | | | | |
| | | Driver off | | 15 | I | | | | | | | | | |
| E24 | spi1_cs2 | spi1_cs2 | | 0 | IO | PU | PU | 15 | 1.8/3.3 | vddshv3 | Yes | Dual Voltage LVCMOS | PU/PD | 1 |
| | | uart4_rxd | | 1 | I | | | | | | | | | 1 |
| | | mmc3_sdcd | | 2 | I | | | | | | | | | 1 |
| | | spi2_cs2 | | 3 | IO | | | | | | | | | 1 |
| | | dcan2_tx | | 4 | IO | | | | | | | | | 1 |
| | | mdio_mclk | | 5 | O | | | | | | | | | 1 |
| | | hdmi1_hpd | No | 6 | IO | | | | | | | | | |
| | | gpio7_12 | | 14 | IO | | | | | | | | | |
| | | Driver off | | 15 | I | | | | | | | | | |

Table 4-1. Pin Attributes⁽¹⁾ (continued)

| BALL NUMBER [1] | BALL NAME [2] | SIGNAL NAME [3] | PN [4] | MUXMODE [5] | TYPE [6] | BALL RESET STATE [7] | BALL RESET REL. STATE [8] | BALL RESET REL. MUXMODE [9] | I/O VOLTAGE VALUE [10] | POWER [11] | HYS [12] | BUFFER TYPE [13] | PULL UP/DOWN TYPE [14] | DSIS [15] | |
|-----------------|---------------|-----------------|--------|-------------|----------|----------------------|---------------------------|-----------------------------|------------------------|------------|----------|---------------------|------------------------|-----------|---|
| E25 | spi1_cs3 | spi1_cs3 | | 0 | IO | PU | PU | 15 | 1.8/3.3 | vddshv3 | Yes | Dual Voltage LVCMOS | PU/PD | 1 | |
| | | uart4_txd | | 1 | O | | | | | | | | | | |
| | | mmc3_sdwp | | 2 | I | | | | | | | | | | 0 |
| | | spi2_cs3 | | 3 | IO | | | | | | | | | | 1 |
| | | dcan2_rx | | 4 | IO | | | | | | | | | | 1 |
| | | mdio_d | | 5 | IO | | | | | | | | | | 1 |
| | | hdmi1_cec | No | 6 | IO | | | | | | | | | | |
| | | gpio7_13 | | 14 | IO | | | | | | | | | | |
| | Driver off | | 15 | I | | | | | | | | | | | |
| D25 | spi1_d0 | spi1_d0 | | 0 | IO | PD | PD | 15 | 1.8/3.3 | vddshv3 | Yes | Dual Voltage LVCMOS | PU/PD | 0 | |
| | | gpio7_9 | | 14 | IO | | | | | | | | | | |
| | | Driver off | | 15 | I | | | | | | | | | | |
| D24 | spi1_d1 | spi1_d1 | | 0 | IO | PD | PD | 15 | 1.8/3.3 | vddshv3 | Yes | Dual Voltage LVCMOS | PU/PD | 0 | |
| | | gpio7_8 | | 14 | IO | | | | | | | | | | |
| | | Driver off | | 15 | I | | | | | | | | | | |
| F24 | spi2_cs0 | spi2_cs0 | | 0 | IO | PU | PU | 15 | 1.8/3.3 | vddshv3 | Yes | Dual Voltage LVCMOS | PU/PD | 1 | |
| | | uart3_rtsn | | 1 | O | | | | | | | | | | |
| | | uart5_txd | | 2 | O | | | | | | | | | | |
| | | gpio7_17 | | 14 | IO | | | | | | | | | | |
| | | Driver off | | 15 | I | | | | | | | | | | |
| G24 | spi2_d0 | spi2_d0 | | 0 | IO | PD | PD | 15 | 1.8/3.3 | vddshv3 | Yes | Dual Voltage LVCMOS | PU/PD | 0 | |
| | | uart3_ctsn | | 1 | I | | | | | | | | | | |
| | | uart5_rxd | | 2 | I | | | | | | | | | | |
| | | gpio7_16 | | 14 | IO | | | | | | | | | | |
| | | Driver off | | 15 | I | | | | | | | | | | |
| F25 | spi2_d1 | spi2_d1 | | 0 | IO | PD | PD | 15 | 1.8/3.3 | vddshv3 | Yes | Dual Voltage LVCMOS | PU/PD | 0 | |
| | | uart3_txd | | 1 | O | | | | | | | | | | |
| | | gpio7_15 | | 14 | IO | | | | | | | | | | |
| | | Driver off | | 15 | I | | | | | | | | | | |
| K21 | tlck | tlck | | 0 | I | PU | PU | 0 | 1.8/3.3 | vddshv3 | Yes | IQ1833 | PU/PD | | |
| L23 | tdi | tdi | | 0 | I | PU | PU | 0 | 1.8/3.3 | vddshv3 | Yes | Dual Voltage LVCMOS | PU/PD | | |
| | | gpio8_27 | | 14 | I | | | | | | | | | | |
| J20 | tdo | tdo | | 0 | O | PU | PU | 0 | 1.8/3.3 | vddshv3 | Yes | Dual Voltage LVCMOS | PU/PD | | |
| | | gpio8_28 | | 14 | IO | | | | | | | | | | |
| L21 | tms | tms | | 0 | I | PU | PU | 0 | 1.8/3.3 | vddshv3 | Yes | Dual Voltage LVCMOS | PU/PD | | |

Table 4-1. Pin Attributes⁽¹⁾ (continued)

| BALL NUMBER [1] | BALL NAME [2] | SIGNAL NAME [3] | PN [4] | MUXMODE [5] | TYPE [6] | BALL RESET STATE [7] | BALL RESET REL. STATE [8] | BALL RESET REL. MUXMODE [9] | I/O VOLTAGE VALUE [10] | POWER [11] | HYS [12] | BUFFER TYPE [13] | PULL UP/DOWN TYPE [14] | DSIS [15] |
|-----------------|---------------|-----------------|--------|-------------|----------|----------------------|---------------------------|-----------------------------|------------------------|------------|----------|---------------------|------------------------|-----------|
| L22 | trstn | trstn | | 0 | I | PD | PD | | 1.8/3.3 | vddshv3 | Yes | Dual Voltage LVCMOS | PU/PD | |
| L20 | uart1_ctsn | uart1_ctsn | | 0 | I | PU | PU | 15 | 1.8/3.3 | vddshv4 | Yes | Dual Voltage LVCMOS | PU/PD | 1 |
| | | uart9_rxd | | 2 | I | | | | | | | | | 1 |
| | | mmc4_clk | | 3 | IO | | | | | | | | | 1 |
| | | gpio7_24 | | 14 | IO | | | | | | | | | |
| | | Driver off | | 15 | I | | | | | | | | | |
| M24 | uart1_rtsn | uart1_rtsn | | 0 | O | PU | PU | 15 | 1.8/3.3 | vddshv4 | Yes | Dual Voltage LVCMOS | PU/PD | |
| | | uart9_txd | | 2 | O | | | | | | | | | |
| | | mmc4_cmd | | 3 | IO | | | | | | | | | 1 |
| | | gpio7_25 | | 14 | IO | | | | | | | | | |
| | | Driver off | | 15 | I | | | | | | | | | |
| L25 | uart1_rxd | uart1_rxd | | 0 | I | PU | PU | 15 | 1.8/3.3 | vddshv4 | Yes | Dual Voltage LVCMOS | PU/PD | 1 |
| | | mmc4_sdccl | | 3 | I | | | | | | | | | 1 |
| | | gpio7_22 | | 14 | IO | | | | | | | | | |
| | | Driver off | | 15 | I | | | | | | | | | |
| M25 | uart1_txd | uart1_txd | | 0 | O | PU | PU | 15 | 1.8/3.3 | vddshv4 | Yes | Dual Voltage LVCMOS | PU/PD | 0 |
| | | mmc4_sdwp | | 3 | I | | | | | | | | | |
| | | gpio7_23 | | 14 | IO | | | | | | | | | |
| | | Driver off | | 15 | I | | | | | | | | | |
| N22 | uart2_ctsn | uart2_ctsn | | 0 | I | PU | PU | 15 | 1.8/3.3 | vddshv4 | Yes | Dual Voltage LVCMOS | PU/PD | 1 |
| | | uart3_rxd | | 2 | I | | | | | | | | | 1 |
| | | mmc4_dat2 | | 3 | IO | | | | | | | | | 1 |
| | | uart10_rxd | | 4 | I | | | | | | | | | 1 |
| | | uart1_dtrn | | 5 | O | | | | | | | | | |
| | | gpio1_16 | | 14 | IO | | | | | | | | | |
| | | Driver off | | 15 | I | | | | | | | | | |
| N24 | uart2_rtsn | uart2_rtsn | | 0 | O | PU | PU | 15 | 1.8/3.3 | vddshv4 | Yes | Dual Voltage LVCMOS | PU/PD | |
| | | uart3_txd | | 1 | O | | | | | | | | | |
| | | uart3_irtx | | 2 | O | | | | | | | | | |
| | | mmc4_dat3 | | 3 | IO | | | | | | | | | 1 |
| | | uart10_txd | | 4 | O | | | | | | | | | |
| | | uart1_rin | | 5 | I | | | | | | | | | 1 |
| | | gpio1_17 | | 14 | IO | | | | | | | | | |
| | | Driver off | | 15 | I | | | | | | | | | |

Table 4-1. Pin Attributes⁽¹⁾ (continued)

| BALL NUMBER [1] | BALL NAME [2] | SIGNAL NAME [3] | PN [4] | MUXMODE [5] | TYPE [6] | BALL RESET STATE [7] | BALL RESET REL. STATE [8] | BALL RESET REL. MUXMODE [9] | I/O VOLTAGE VALUE [10] | POWER [11] | HYS [12] | BUFFER TYPE [13] | PULL UP/DOWN TYPE [14] | DSIS [15] |
|-----------------|---------------|-----------------|--------|-------------|----------|----------------------|---------------------------|-----------------------------|------------------------|------------|----------|---------------------|------------------------|-----------|
| N23 | uart2_rxd | uart2_rxd | | 0 | I | PU | PU | 15 | 1.8/3.3 | vddshv4 | Yes | Dual Voltage LVCMOS | PU/PD | 1 |
| | | uart3_ctsn | | 1 | I | | | | | | | | | 1 |
| | | uart3_rctx | | 2 | O | | | | | | | | | |
| | | mmc4_dat0 | | 3 | IO | | | | | | | | | 1 |
| | | uart2_rxd | | 4 | I | | | | | | | | | 1 |
| | | uart1_dcdn | | 5 | I | | | | | | | | | 1 |
| | | gpio7_26 | | 14 | IO | | | | | | | | | |
| | | Driver off | | 15 | I | | | | | | | | | |
| N25 | uart2_txd | uart2_txd | | 0 | O | PU | PU | 15 | 1.8/3.3 | vddshv4 | Yes | Dual Voltage LVCMOS | PU/PD | |
| | | uart3_rtsn | | 1 | O | | | | | | | | | |
| | | uart3_sd | | 2 | O | | | | | | | | | |
| | | mmc4_dat1 | | 3 | IO | | | | | | | | | 1 |
| | | uart2_txd | | 4 | O | | | | | | | | | |
| | | uart1_dsrn | | 5 | I | | | | | | | | | 0 |
| | | gpio7_27 | | 14 | IO | | | | | | | | | |
| | | Driver off | | 15 | I | | | | | | | | | |
| N5 | uart3_rxd | uart3_rxd | | 0 | I | PD | PD | 15 | 1.8/3.3 | vddshv9 | Yes | Dual Voltage LVCMOS | PU/PD | 1 |
| | | rmii1_crs | | 2 | I | | | | | | | | | 0 |
| | | mii0_rxdv | | 3 | I | | | | | | | | | 0 |
| | | vin2a_d1 | | 4 | I | | | | | | | | | 0 |
| | | vin1b_d1 | | 5 | I | | | | | | | | | 0 |
| | | spl3_sclk | | 7 | IO | | | | | | | | | 0 |
| | | pr1_mii0_rxdv | | 11 | I | | | | | | | | | 0 |
| | | pr2_pru1_gpi3 | | 12 | I | | | | | | | | | |
| | | pr2_pru1_gpo3 | | 13 | O | | | | | | | | | |
| | | gpio5_18 | | 14 | IO | | | | | | | | | |
| | | Driver off | | 15 | I | | | | | | | | | |

Table 4-1. Pin Attributes⁽¹⁾ (continued)

| BALL NUMBER [1] | BALL NAME [2] | SIGNAL NAME [3] | PN [4] | MUXMODE [5] | TYPE [6] | BALL RESET STATE [7] | BALL RESET REL. STATE [8] | BALL RESET REL. MUXMODE [9] | I/O VOLTAGE VALUE [10] | POWER [11] | HYS [12] | BUFFER TYPE [13] | PULL UP/DOWN TYPE [14] | DSIS [15] |
|-----------------|---------------|-----------------|--------|-------------|----------|----------------------|---------------------------|-----------------------------|------------------------|---------------|----------|---------------------|------------------------|-----------|
| N6 | uart3_txd | uart3_txd | | 0 | O | PD | PD | 15 | 1.8/3.3 | vddshv9 | Yes | Dual Voltage LVCMOS | PU/PD | |
| | | rmii1_rxer | | 2 | I | | | | | | | | | 0 |
| | | mii0_rxclk | | 3 | I | | | | | | | | | 0 |
| | | vin2a_d2 | | 4 | I | | | | | | | | | 0 |
| | | vin1b_d2 | | 5 | I | | | | | | | | | 0 |
| | | spl3_d1 | | 7 | IO | | | | | | | | | 0 |
| | | spl4_cs1 | | 8 | IO | | | | | | | | | 1 |
| | | pr1_mii_mr0_clk | | 11 | I | | | | | | | | | 0 |
| | | pr2_pru1_gpi4 | | 12 | I | | | | | | | | | |
| | | pr2_pru1_gpo4 | | 13 | O | | | | | | | | | |
| | | gpio5_19 | | 14 | IO | | | | | | | | | |
| | | Driver off | | 15 | I | | | | | | | | | |
| AB7 | usb1_dm | usb1_dm | | 0 | IO | OFF | OFF | | 3.3 | vdda33v_u sb1 | | USBPHY | | |
| AC6 | usb1_dp | usb1_dp | | 0 | IO | OFF | OFF | | 3.3 | vdda33v_u sb1 | | USBPHY | | |
| AD3 | usb1_drvvbus | usb1_drvvbus | | 0 | O | PD | PD | 15 | 1.8/3.3 | vdda33v_u sb2 | Yes | Dual Voltage LVCMOS | PU/PD | |
| | | timer16 | | 7 | IO | | | | | | | | | |
| | | gpio6_12 | | 14 | IO | | | | | | | | | |
| | | Driver off | | 15 | I | | | | | | | | | |
| AC5 | usb2_dm | usb2_dm | | 0 | IO | | | | 3.3 | vdda33v_u sb2 | No | USBPHY | | |
| AB6 | usb2_dp | usb2_dp | | 0 | IO | | | | 3.3 | vdda33v_u sb2 | No | USBPHY | | |
| AA6 | usb2_drvvbus | usb2_drvvbus | | 0 | O | PD | PD | 15 | 1.8/3.3 | vdda33v_u sb2 | Yes | Dual Voltage LVCMOS | PU/PD | |
| | | timer15 | | 7 | IO | | | | | | | | | |
| | | gpio6_13 | | 14 | IO | | | | | | | | | |
| | | Driver off | | 15 | I | | | | | | | | | |
| AE5 | usb_rxn0 | usb_rxn0 | | 0 | I | OFF | OFF | | 1.8 | vdda_usb1 | | SERDES | | |
| | | pcie_rxn1 | | 1 | I | | | | | | | | | |
| AD6 | usb_rxp0 | usb_rxp0 | | 0 | I | OFF | OFF | | 1.8 | vdda_usb1 | | SERDES | | |
| | | pcie_rxp1 | | 1 | I | | | | | | | | | |
| AE3 | usb_txn0 | usb_txn0 | | 0 | O | | | | 1.8 | vdda_usb1 | | SERDES | | |
| | | pcie_txn1 | | 1 | O | | | | | | | | | |
| AD4 | usb_txp0 | usb_txp0 | | 0 | O | | | | 1.8 | vdda_usb1 | | SERDES | | |
| | | pcie_txp1 | | 1 | O | | | | | | | | | |

Table 4-1. Pin Attributes⁽¹⁾ (continued)

| BALL NUMBER [1] | BALL NAME [2] | SIGNAL NAME [3] | PN [4] | MUXMODE [5] | TYPE [6] | BALL RESET STATE [7] | BALL RESET REL. STATE [8] | BALL RESET REL. MUXMODE [9] | I/O VOLTAGE VALUE [10] | POWER [11] | HYS [12] | BUFFER TYPE [13] | PULL UP/DOWN TYPE [14] | DSIS [15] |
|--|----------------|---------------------|--------|-------------|----------|----------------------|---------------------------|-----------------------------|------------------------|------------|----------|------------------|------------------------|-----------|
| J15, J16, J18, K12, K18, L12, L17, M11, M13, M15, M17, N11, N13, N15, N18, P10, P12, P14, P16, P18, R10, R12, R14, R16, R17, T11, T13, T15, T17, T9, U11, U13, U15, U18, U9, V10, V12, V14, V16, V18, W10, W12, W14, W16 | vdd | vdd | | | PWR | | | | | | | | | |
| F20 | vpp | vpp ⁽¹¹⁾ | | | PWR | | | | | | | | | |
| AA10 | vdda33v_usb1 | vdda33v_usb1 | | | PWR | | | | | | | | | |
| Y10 | vdda33v_usb2 | vdda33v_usb2 | | | PWR | | | | | | | | | |
| L9 | vdda_core_gmac | vdda_core_gmac | | | PWR | | | | | | | | | |
| T6 | vdda_csi | vdda_csi | | | PWR | | | | | | | | | |
| R20 | vdda_dds | vdda_dds | | | PWR | | | | | | | | | |
| N10 | vdda_debug | vdda_debug | | | PWR | | | | | | | | | |
| K10, L10 | vdda_dsp_iva | vdda_dsp_iva | | | PWR | | | | | | | | | |
| N9 | vdda_gpu | vdda_gpu | | | PWR | | | | | | | | | |
| W15, Y15 | vdda_hdmi | vdda_hdmi | | | PWR | | | | | | | | | |
| K16, L16 | vdda_mpu_abe | vdda_mpu_abe | | | PWR | | | | | | | | | |
| W13, Y13 | vdda_osc | vdda_osc | | | PWR | | | | | | | | | |
| W11, Y11 | vdda_pcie | vdda_pcie | | | PWR | | | | | | | | | |
| M10 | vdda_per | vdda_per | | | PWR | | | | | | | | | |
| W8 | vdda_usb1 | vdda_usb1 | | | PWR | | | | | | | | | |
| Y8 | vdda_usb2 | vdda_usb2 | | | PWR | | | | | | | | | |
| Y9 | vdda_usb3 | vdda_usb3 | | | PWR | | | | | | | | | |
| K14, L14 | vdda_video | vdda_video | | | PWR | | | | | | | | | |
| G11, H20, W7, Y18 | vdds18v | vdds18v | | | PWR | | | | | | | | | |
| AA19, P20, Y19 | vdds18v_dds1 | vdds18v_dds1 | | | PWR | | | | | | | | | |
| G10, G9 | vddshv1 | vddshv1 | | | PWR | | | | | | | | | |
| G15, G17, H15, H17, J19, K19 | vddshv3 | vddshv3 | | | PWR | | | | | | | | | |
| M19, N19 | vddshv4 | vddshv4 | | | PWR | | | | | | | | | |
| U7, U8 | vddshv7 | vddshv7 | | | PWR | | | | | | | | | |
| N8, P8 | vddshv8 | vddshv8 | | | PWR | | | | | | | | | |
| M7, N7 | vddshv9 | vddshv9 | | | PWR | | | | | | | | | |
| J7, J8, K8 | vddshv10 | vddshv10 | | | PWR | | | | | | | | | |

Table 4-1. Pin Attributes⁽¹⁾ (continued)

| BALL NUMBER [1] | BALL NAME [2] | SIGNAL NAME [3] | PN [4] | MUXMODE [5] | TYPE [6] | BALL RESET STATE [7] | BALL RESET REL. STATE [8] | BALL RESET REL. MUXMODE [9] | I/O VOLTAGE VALUE [10] | POWER [11] | HYS [12] | BUFFER TYPE [13] | PULL UP/DOWN TYPE [14] | DSIS [15] |
|------------------------------|---------------|--|--------|-------------|----------|----------------------|---------------------------|-----------------------------|------------------------|------------|----------|---------------------|------------------------|-----------|
| F7, G7, H7 | vddshv11 | vddshv11 | | | PWR | | | | | | | | | |
| T19, T20, V20, W17, W18, W20 | vdds_ddr1 | vdds_ddr1 | | | PWR | | | | | | | | | |
| P7, R7 | vdds_mlbp | vdds_mlbp | | | PWR | | | | | | | | | |
| H11, H13, H9, J11, J13, J9 | vdd_dsp | vdd_dsp | | | PWR | | | | | | | | | |
| D8 | vin2a_clk0 | vin2a_clk0 | | 0 | I | PD | PD | 15 | 1.8/3.3 | vddshv1 | Yes | Dual Voltage LVCMOS | PU/PD | |
| | | vout2_fld | No | 4 | O | | | | | | | | | |
| | | emu5 | | 5 | O | | | | | | | | | |
| | | kbd_row0 | | 9 | I | | | | | | | | | 0 |
| | | eQEP1A_in | | 10 | I | | | | | | | | | 0 |
| | | pr1_edio_data_in0 | | 12 | I | | | | | | | | | 0 |
| | | pr1_edio_data_out0 | | 13 | O | | | | | | | | | |
| | | gpio3_28 gpmc_a27 gpmc_a17 Driver off | | 14 15 | IO I | | | | | | | | | |
| C8 | vin2a_d0 | vin2a_d0 | | 0 | I | PD | PD | 15 | 1.8/3.3 | vddshv1 | Yes | Dual Voltage LVCMOS | PU/PD | 0 |
| | | vout2_d23 | No | 4 | O | | | | | | | | | |
| | | emu10 | | 5 | O | | | | | | | | | |
| | | uart9_ctsn | | 7 | I | | | | | | | | | 1 |
| | | spi4_d0 | | 8 | IO | | | | | | | | | 0 |
| | | kbd_row4 | | 9 | I | | | | | | | | | 0 |
| | | ehrpwm1B | | 10 | O | | | | | | | | | |
| | | pr1_uart0_rxd | | 11 | I | | | | | | | | | 1 |
| | | pr1_edio_data_in5 | | 12 | I | | | | | | | | | 0 |
| | | pr1_edio_data_out5 | | 13 | O | | | | | | | | | |
| | | gpio4_1 Driver off | | 14 15 | IO I | | | | | | | | | |

Table 4-1. Pin Attributes⁽¹⁾ (continued)

| BALL NUMBER [1] | BALL NAME [2] | SIGNAL NAME [3] | PN [4] | MUXMODE [5] | TYPE [6] | BALL RESET STATE [7] | BALL RESET REL. STATE [8] | BALL RESET REL. MUXMODE [9] | I/O VOLTAGE VALUE [10] | POWER [11] | HYS [12] | BUFFER TYPE [13] | PULL UP/DOWN TYPE [14] | DSIS [15] | | | | |
|-----------------------------|---------------|------------------------|----------|-------------|----------|----------------------|---------------------------|-----------------------------|------------------------|------------|----------|---------------------|------------------------|---------------------|-------|---------------------|-------|---|
| B9 | vin2a_d1 | vin2a_d1 | | 0 | I | PD | PD | 15 | 1.8/3.3 | vddshv1 | Yes | Dual Voltage LVCMOS | PU/PD | 0 | | | | |
| | | vout2_d22 | No | 4 | O | | | | | | | | | | | | | |
| | | emu11 | | 5 | O | | | | | | | | | | | | | |
| | | uart9_rtsn | | 7 | O | | | | | | | | | | | | | |
| | | spi4_cs0 | | 8 | IO | | | | | | | | | | | 1 | | |
| | | kbd_row5 | | 9 | I | | | | | | | | | | | 0 | | |
| | | ehrpwm1_tripzone_input | | 10 | IO | | | | | | | | | | | | 0 | |
| | | pr1_uart0_txd | | 11 | O | | | | | | | | | | | | | |
| | | pr1_edio_data_in6 | | 12 | I | | | | | | | | | | | | | 0 |
| | | pr1_edio_data_out6 | | 13 | O | | | | | | | | | | | | | |
| | | gpio4_2 | | 14 | IO | | | | | | | | | | | | | |
| | | Driver off | | 15 | I | | | | | | | | | | | | | |
| | | A7 | vin2a_d2 | vin2a_d2 | | 0 | I | PD | PD | 15 | 1.8/3.3 | | | vddshv1 | Yes | Dual Voltage LVCMOS | PU/PD | 0 |
| vout2_d21 | No | | | 4 | O | | | | | | | | | | | | | |
| emu12 | | | | 5 | O | | | | | | | | | | | | | |
| uart10_rxd | | | | 8 | I | | | | | | | | | | 1 | | | |
| kbd_row6 | | | | 9 | I | | | | | | | | | | 0 | | | |
| eCAP1_in_PWM1_out | | | | 10 | IO | | | | | | | | | | 0 | | | |
| pr1_ecap0_ecap_capin_apwm_o | | | | 11 | IO | | | | | | | | | | 0 | | | |
| pr1_edio_data_in7 | | | | 12 | I | | | | | | | | | | 0 | | | |
| pr1_edio_data_out7 | | | | 13 | O | | | | | | | | | | 0 | | | |
| gpio4_3 | | | | 14 | IO | | | | | | | | | | | | | |
| Driver off | | | | 15 | I | | | | | | | | | | | | | |
| A9 | vin2a_d3 | | | vin2a_d3 | | 0 | I | PD | PD | 15 | 1.8/3.3 | vddshv1 | Yes | Dual Voltage LVCMOS | PU/PD | | | 0 |
| | | | | vout2_d20 | No | 4 | O | | | | | | | | | | | |
| | | emu13 | | 5 | O | | | | | | | | | | | | | |
| | | uart10_txd | | 8 | O | | | | | | | | | | | | | |
| | | kbd_col0 | | 9 | O | | | | | | | | | | | | | |
| | | ehrpwm1_synci | | 10 | I | | | | | | | | | | | | 0 | |
| | | pr1_edc_latch0_in | | 11 | I | | | | | | | | | | | | 0 | |
| | | pr1_pru1_gpi0 | | 12 | I | | | | | | | | | | | | | |
| | | pr1_pru1_gpo0 | | 13 | O | | | | | | | | | | | | | |
| | | gpio4_4 | | 14 | IO | | | | | | | | | | | | | |
| | | Driver off | | 15 | I | | | | | | | | | | | | | |

Table 4-1. Pin Attributes⁽¹⁾ (continued)

| BALL NUMBER [1] | BALL NAME [2] | SIGNAL NAME [3] | PN [4] | MUXMODE [5] | TYPE [6] | BALL RESET STATE [7] | BALL RESET REL. STATE [8] | BALL RESET REL. MUXMODE [9] | I/O VOLTAGE VALUE [10] | POWER [11] | HYS [12] | BUFFER TYPE [13] | PULL UP/DOWN TYPE [14] | DSIS [15] | | |
|-----------------|---------------|-------------------|--------|-------------|----------|----------------------|---------------------------|-----------------------------|------------------------|------------|----------|---------------------|------------------------|-----------|--|---|
| A8 | vin2a_d4 | vin2a_d4 | | 0 | I | PD | PD | 15 | 1.8/3.3 | vddshv1 | Yes | Dual Voltage LVCMOS | PU/PD | 0 | | |
| | | vout2_d19 | No | 4 | O | | | | | | | | | | | |
| | | emu14 | | 5 | O | | | | | | | | | | | |
| | | uart10_ctsn | | 8 | I | | | | | | | | | | | 1 |
| | | kbd_col1 | | 9 | O | | | | | | | | | | | |
| | | ehrpwm1_synco | | 10 | O | | | | | | | | | | | |
| | | pr1_edc_sync0_out | | 11 | O | | | | | | | | | | | |
| | | pr1_pru1_gpi1 | | 12 | I | | | | | | | | | | | |
| | | pr1_pru1_gpo1 | | 13 | O | | | | | | | | | | | |
| | | gpio4_5 | | 14 | IO | | | | | | | | | | | |
| | | Driver off | | 15 | I | | | | | | | | | | | |
| A11 | vin2a_d5 | vin2a_d5 | | 0 | I | PD | PD | 15 | 1.8/3.3 | vddshv1 | Yes | Dual Voltage LVCMOS | PU/PD | 0 | | |
| | | vout2_d18 | No | 4 | O | | | | | | | | | | | |
| | | emu15 | | 5 | O | | | | | | | | | | | |
| | | uart10_rtsn | | 8 | O | | | | | | | | | | | |
| | | kbd_col2 | | 9 | O | | | | | | | | | | | |
| | | eQEP2A_in | | 10 | I | | | | | | | | | | | 0 |
| | | pr1_edio_sof | | 11 | O | | | | | | | | | | | |
| | | pr1_pru1_gpi2 | | 12 | I | | | | | | | | | | | |
| | | pr1_pru1_gpo2 | | 13 | O | | | | | | | | | | | |
| | | gpio4_6 | | 14 | IO | | | | | | | | | | | |
| | | Driver off | | 15 | I | | | | | | | | | | | |
| F10 | vin2a_d6 | vin2a_d6 | | 0 | I | PD | PD | 15 | 1.8/3.3 | vddshv1 | Yes | Dual Voltage LVCMOS | PU/PD | 0 | | |
| | | vout2_d17 | No | 4 | O | | | | | | | | | | | |
| | | emu16 | | 5 | O | | | | | | | | | | | |
| | | mii1_rxd1 | | 8 | I | | | | | | | | | | | 0 |
| | | kbd_col3 | | 9 | O | | | | | | | | | | | |
| | | eQEP2B_in | | 10 | I | | | | | | | | | | | 0 |
| | | pr1_mii_mt1_clk | | 11 | I | | | | | | | | | | | 0 |
| | | pr1_pru1_gpi3 | | 12 | I | | | | | | | | | | | |
| | | pr1_pru1_gpo3 | | 13 | O | | | | | | | | | | | |
| | | gpio4_7 | | 14 | IO | | | | | | | | | | | |
| | | Driver off | | 15 | I | | | | | | | | | | | |

Table 4-1. Pin Attributes⁽¹⁾ (continued)

| BALL NUMBER [1] | BALL NAME [2] | SIGNAL NAME [3] | PN [4] | MUXMODE [5] | TYPE [6] | BALL RESET STATE [7] | BALL RESET REL. STATE [8] | BALL RESET REL. MUXMODE [9] | I/O VOLTAGE VALUE [10] | POWER [11] | HYS [12] | BUFFER TYPE [13] | PULL UP/DOWN TYPE [14] | DSIS [15] | | |
|-----------------|---------------|-----------------|--------|-------------|----------|----------------------|---------------------------|-----------------------------|------------------------|------------|----------|---------------------|------------------------|-----------|---|---|
| A10 | vin2a_d7 | vin2a_d7 | | 0 | I | PD | PD | 15 | 1.8/3.3 | vddshv1 | Yes | Dual Voltage LVCMOS | PU/PD | 0 | | |
| | | vout2_d16 | No | 4 | O | | | | | | | | | | | |
| | | emu17 | | 5 | O | | | | | | | | | | | |
| | | mii1_rxd2 | | 8 | I | | | | | | | | | | 0 | |
| | | kbd_col4 | | 9 | O | | | | | | | | | | | |
| | | eQEP2_index | | 10 | IO | | | | | | | | | | | 0 |
| | | pr1_mii1_txen | | 11 | O | | | | | | | | | | | |
| | | pr1_pru1_gpi4 | | 12 | I | | | | | | | | | | | |
| | | pr1_pru1_gpo4 | | 13 | O | | | | | | | | | | | |
| | | gpio4_8 | | 14 | IO | | | | | | | | | | | |
| | | Driver off | | 15 | I | | | | | | | | | | | |
| B10 | vin2a_d8 | vin2a_d8 | | 0 | I | PD | PD | 15 | 1.8/3.3 | vddshv1 | Yes | Dual Voltage LVCMOS | PU/PD | 0 | | |
| | | vout2_d15 | No | 4 | O | | | | | | | | | | | |
| | | emu18 | | 5 | O | | | | | | | | | | | |
| | | mii1_rxd3 | | 8 | I | | | | | | | | | | 0 | |
| | | kbd_col5 | | 9 | O | | | | | | | | | | | |
| | | eQEP2_strobe | | 10 | IO | | | | | | | | | | | 0 |
| | | pr1_mii1_txd3 | | 11 | O | | | | | | | | | | | |
| | | pr1_pru1_gpi5 | | 12 | I | | | | | | | | | | | |
| | | pr1_pru1_gpo5 | | 13 | O | | | | | | | | | | | |
| | | gpio4_9 | | 14 | IO | | | | | | | | | | | |
| | | gpmc_a26 | | 14 | IO | | | | | | | | | | | |
| Driver off | | 15 | I | | | | | | | | | | | | | |
| E10 | vin2a_d9 | vin2a_d9 | | 0 | I | PD | PD | 15 | 1.8/3.3 | vddshv1 | Yes | Dual Voltage LVCMOS | PU/PD | 0 | | |
| | | vout2_d14 | No | 4 | O | | | | | | | | | | | |
| | | emu19 | | 5 | O | | | | | | | | | | | |
| | | mii1_rxd0 | | 8 | I | | | | | | | | | | 0 | |
| | | kbd_col6 | | 9 | O | | | | | | | | | | | |
| | | ehrpwm2A | | 10 | O | | | | | | | | | | | |
| | | pr1_mii1_txd2 | | 11 | O | | | | | | | | | | | |
| | | pr1_pru1_gpi6 | | 12 | I | | | | | | | | | | | |
| | | pr1_pru1_gpo6 | | 13 | O | | | | | | | | | | | |
| | | gpio4_10 | | 14 | IO | | | | | | | | | | | |
| | | gpmc_a25 | | 14 | IO | | | | | | | | | | | |
| Driver off | | 15 | I | | | | | | | | | | | | | |

Table 4-1. Pin Attributes⁽¹⁾ (continued)

| BALL NUMBER [1] | BALL NAME [2] | SIGNAL NAME [3] | PN [4] | MUXMODE [5] | TYPE [6] | BALL RESET STATE [7] | BALL RESET REL. STATE [8] | BALL RESET REL. MUXMODE [9] | I/O VOLTAGE VALUE [10] | POWER [11] | HYS [12] | BUFFER TYPE [13] | PULL UP/DOWN TYPE [14] | DSIS [15] |
|-----------------|---------------|---|--------|----------------|--------------|----------------------|---------------------------|-----------------------------|------------------------|------------|----------|---------------------|------------------------|-----------|
| D10 | vin2a_d10 | vin2a_d10 | | 0 | I | PD | PD | 15 | 1.8/3.3 | vddshv1 | Yes | Dual Voltage LVCMOS | PU/PD | 0 |
| | | mdio_mclk | | 3 | O | | | | | | | | | 1 |
| | | vout2_d13 | No | 4 | O | | | | | | | | | |
| | | kbd_col7 | | 9 | O | | | | | | | | | |
| | | ehrpwm2B | | 10 | O | | | | | | | | | |
| | | pr1_mdio_mdclk | | 11 | O | | | | | | | | | |
| | | pr1_pru1_gpi7 | | 12 | I | | | | | | | | | |
| | | pr1_pru1_gpo7 | | 13 | O | | | | | | | | | |
| | | gpio4_11 gpmc_a24 Driver off | | 14 15 | IO I | | | | | | | | | |
| C10 | vin2a_d11 | vin2a_d11 | | 0 | I | PD | PD | 15 | 1.8/3.3 | vddshv1 | Yes | Dual Voltage LVCMOS | PU/PD | 0 |
| | | mdio_d | | 3 | IO | | | | | | | | | 1 |
| | | vout2_d12 | No | 4 | O | | | | | | | | | |
| | | kbd_row7 | | 9 | I | | | | | | | | | 0 |
| | | ehrpwm2_tripzone_input | | 10 | IO | | | | | | | | | 0 |
| | | pr1_mdio_data | | 11 | IO | | | | | | | | | 1 |
| | | pr1_pru1_gpi8 | | 12 | I | | | | | | | | | |
| | | pr1_pru1_gpo8 | | 13 | O | | | | | | | | | |
| | | gpio4_12 gpmc_a23 Driver off | | 14 15 | IO I | | | | | | | | | |
| B11 | vin2a_d12 | vin2a_d12 | | 0 | I | PD | PD | 15 | 1.8/3.3 | vddshv1 | Yes | Dual Voltage LVCMOS | PU/PD | 0 |
| | | rgmii1_txc | | 3 | O | | | | | | | | | |
| | | vout2_d11 | No | 4 | O | | | | | | | | | |
| | | mii1_rxclk | | 8 | I | | | | | | | | | 0 |
| | | kbd_col8 | | 9 | O | | | | | | | | | |
| | | eCAP2_in_PWM2_out | | 10 | IO | | | | | | | | | 0 |
| | | pr1_mii1_txd1 | | 11 | O | | | | | | | | | |
| | | pr1_pru1_gpi9 | | 12 | I | | | | | | | | | |
| | | pr1_pru1_gpo9 gpio4_13 Driver off | | 13 14 15 | O IO I | | | | | | | | | |

Table 4-1. Pin Attributes⁽¹⁾ (continued)

| BALL NUMBER [1] | BALL NAME [2] | SIGNAL NAME [3] | PN [4] | MUXMODE [5] | TYPE [6] | BALL RESET STATE [7] | BALL RESET REL. STATE [8] | BALL RESET REL. MUXMODE [9] | I/O VOLTAGE VALUE [10] | POWER [11] | HYS [12] | BUFFER TYPE [13] | PULL UP/DOWN TYPE [14] | DSIS [15] | |
|-----------------|---------------|-----------------|-----------|-------------|----------|----------------------|---------------------------|-----------------------------|------------------------|------------|----------|---------------------|------------------------|-----------|-----|
| D11 | vin2a_d13 | vin2a_d13 | | 0 | I | PD | PD | 15 | 1.8/3.3 | vddshv1 | Yes | Dual Voltage LVCMOS | PU/PD | 0 | |
| | | rgmii1_tctl | | 3 | O | | | | | | | | | | |
| | | vout2_d10 | No | 4 | O | | | | | | | | | | |
| | | mii1_rxdv | | 8 | I | | | | | | | | | | 0 |
| | | kbd_row8 | | 9 | I | | | | | | | | | | 0 |
| | | eQEP3A_in | | 10 | I | | | | | | | | | | 0 |
| | | pr1_mii1_bxd0 | | 11 | O | | | | | | | | | | |
| | | pr1_pru1_gpi10 | | 12 | I | | | | | | | | | | |
| | | pr1_pru1_gpo10 | | 13 | O | | | | | | | | | | |
| | | gpio4_14 | | 14 | IO | | | | | | | | | | |
| | | Driver off | | 15 | I | | | | | | | | | | |
| C11 | vin2a_d14 | vin2a_d14 | | 0 | I | PD | PD | 15 | 1.8/3.3 | vddshv1 | Yes | Dual Voltage LVCMOS | PU/PD | 0 | |
| | | rgmii1_txd3 | | 3 | O | | | | | | | | | | |
| | | vout2_d9 | No | 4 | O | | | | | | | | | | |
| | | mii1_tclk | | 8 | I | | | | | | | | | | 0 |
| | | eQEP3B_in | | 10 | I | | | | | | | | | | 0 |
| | | pr1_mii_mr1_clk | | 11 | I | | | | | | | | | | 0 |
| | | pr1_pru1_gpi11 | | 12 | I | | | | | | | | | | |
| | | pr1_pru1_gpo11 | | 13 | O | | | | | | | | | | |
| | | gpio4_15 | | 14 | IO | | | | | | | | | | |
| | | Driver off | | 15 | I | | | | | | | | | | |
| | | B12 | vin2a_d15 | vin2a_d15 | | 0 | I | PD | PD | 15 | 1.8/3.3 | | | vddshv1 | Yes |
| rgmii1_txd2 | | | | 3 | O | | | | | | | | | | |
| vout2_d8 | No | | | 4 | O | | | | | | | | | | |
| mii1_txd0 | | | | 8 | O | | | | | | | | | | |
| eQEP3_index | | | | 10 | IO | | | | | | | | 0 | | |
| pr1_mii1_rxdv | | | | 11 | I | | | | | | | | 0 | | |
| pr1_pru1_gpi12 | | | | 12 | I | | | | | | | | | | |
| pr1_pru1_gpo12 | | | | 13 | O | | | | | | | | | | |
| gpio4_16 | | | | 14 | IO | | | | | | | | | | |
| Driver off | | | | 15 | I | | | | | | | | | | |

Table 4-1. Pin Attributes⁽¹⁾ (continued)

| BALL NUMBER [1] | BALL NAME [2] | SIGNAL NAME [3] | PN [4] | MUXMODE [5] | TYPE [6] | BALL RESET STATE [7] | BALL RESET REL. STATE [8] | BALL RESET REL. MUXMODE [9] | I/O VOLTAGE VALUE [10] | POWER [11] | HYS [12] | BUFFER TYPE [13] | PULL UP/DOWN TYPE [14] | DSIS [15] |
|-----------------|---------------|-----------------|--------|-------------|----------|----------------------|---------------------------|-----------------------------|------------------------|------------|----------|---------------------|------------------------|-----------|
| A12 | vin2a_d16 | vin2a_d16 | | 0 | I | PD | PD | 15 | 1.8/3.3 | vddshv1 | Yes | Dual Voltage LVCMOS | PU/PD | 0 |
| | | vin2b_d7 | | 2 | I | | | | | | | | | 0 |
| | | rgmii1_txd1 | | 3 | O | | | | | | | | | |
| | | vout2_d7 | No | 4 | O | | | | | | | | | |
| | | mii1_txd1 | | 8 | O | | | | | | | | | |
| | | eQEP3_strobe | | 10 | IO | | | | | | | | | 0 |
| | | pr1_mii1_rxd3 | | 11 | I | | | | | | | | | 0 |
| | | pr1_pru1_gpi13 | | 12 | I | | | | | | | | | |
| | | pr1_pru1_gpo13 | | 13 | O | | | | | | | | | |
| | | gpio4_24 | | 14 | IO | | | | | | | | | |
| | | Driver off | | 15 | I | | | | | | | | | |
| A13 | vin2a_d17 | vin2a_d17 | | 0 | I | PD | PD | 15 | 1.8/3.3 | vddshv1 | Yes | Dual Voltage LVCMOS | PU/PD | 0 |
| | | vin2b_d6 | | 2 | I | | | | | | | | | 0 |
| | | rgmii1_txd0 | | 3 | O | | | | | | | | | |
| | | vout2_d6 | No | 4 | O | | | | | | | | | |
| | | mii1_txd2 | | 8 | O | | | | | | | | | |
| | | ehrpwm3A | | 10 | O | | | | | | | | | |
| | | pr1_mii1_rxd2 | | 11 | I | | | | | | | | | 0 |
| | | pr1_pru1_gpi14 | | 12 | I | | | | | | | | | |
| | | pr1_pru1_gpo14 | | 13 | O | | | | | | | | | |
| | | gpio4_25 | | 14 | IO | | | | | | | | | |
| | | Driver off | | 15 | I | | | | | | | | | |
| E11 | vin2a_d18 | vin2a_d18 | | 0 | I | PD | PD | 15 | 1.8/3.3 | vddshv1 | Yes | Dual Voltage LVCMOS | PU/PD | 0 |
| | | vin2b_d5 | | 2 | I | | | | | | | | | 0 |
| | | rgmii1_rxc | | 3 | I | | | | | | | | | 0 |
| | | vout2_d5 | No | 4 | O | | | | | | | | | |
| | | mii1_txd3 | | 8 | O | | | | | | | | | |
| | | ehrpwm3B | | 10 | O | | | | | | | | | |
| | | pr1_mii1_rxd1 | | 11 | I | | | | | | | | | 0 |
| | | pr1_pru1_gpi15 | | 12 | I | | | | | | | | | |
| | | pr1_pru1_gpo15 | | 13 | O | | | | | | | | | |
| | | gpio4_26 | | 14 | IO | | | | | | | | | |
| | | Driver off | | 15 | I | | | | | | | | | |

Table 4-1. Pin Attributes⁽¹⁾ (continued)

| BALL NUMBER [1] | BALL NAME [2] | SIGNAL NAME [3] | PN [4] | MUXMODE [5] | TYPE [6] | BALL RESET STATE [7] | BALL RESET REL. STATE [8] | BALL RESET REL. MUXMODE [9] | I/O VOLTAGE VALUE [10] | POWER [11] | HYS [12] | BUFFER TYPE [13] | PULL UP/DOWN TYPE [14] | DSIS [15] |
|-----------------|---------------|------------------------|--------|-------------|----------|----------------------|---------------------------|-----------------------------|------------------------|------------|----------|---------------------|------------------------|-----------|
| F11 | vin2a_d19 | vin2a_d19 | | 0 | I | PD | PD | 15 | 1.8/3.3 | vddshv1 | Yes | Dual Voltage LVCMOS | PU/PD | 0 |
| | | vin2b_d4 | | 2 | I | | | | | | | | | 0 |
| | | rgmii1_rxtl | | 3 | I | | | | | | | | | 0 |
| | | vout2_d4 | No | 4 | O | | | | | | | | | 0 |
| | | mii1_txer | | 8 | O | | | | | | | | | 0 |
| | | ehrpwm3_tripzone_input | | 10 | IO | | | | | | | | | 0 |
| | | pr1_mii1_rxd0 | | 11 | I | | | | | | | | | 0 |
| | | pr1_pru1_gpi16 | | 12 | I | | | | | | | | | |
| | | pr1_pru1_gpo16 | | 13 | O | | | | | | | | | |
| | | gpio4_27 | | 14 | IO | | | | | | | | | |
| | | Driver off | | 15 | I | | | | | | | | | |
| B13 | vin2a_d20 | vin2a_d20 | | 0 | I | PD | PD | 15 | 1.8/3.3 | vddshv1 | Yes | Dual Voltage LVCMOS | PU/PD | 0 |
| | | vin2b_d3 | | 2 | I | | | | | | | | | 0 |
| | | rgmii1_rxd3 | | 3 | I | | | | | | | | | 0 |
| | | vout2_d3 | No | 4 | O | | | | | | | | | |
| | | mii1_xer | | 8 | I | | | | | | | | | 0 |
| | | eCAP3_in_PWM3_out | | 10 | IO | | | | | | | | | 0 |
| | | pr1_mii1_xer | | 11 | I | | | | | | | | | 0 |
| | | pr1_pru1_gpi17 | | 12 | I | | | | | | | | | |
| | | pr1_pru1_gpo17 | | 13 | O | | | | | | | | | |
| | | gpio4_28 | | 14 | IO | | | | | | | | | |
| | | Driver off | | 15 | I | | | | | | | | | |
| E13 | vin2a_d21 | vin2a_d21 | | 0 | I | PD | PD | 15 | 1.8/3.3 | vddshv1 | Yes | Dual Voltage LVCMOS | PU/PD | 0 |
| | | vin2b_d2 | | 2 | I | | | | | | | | | 0 |
| | | rgmii1_rxd2 | | 3 | I | | | | | | | | | 0 |
| | | vout2_d2 | No | 4 | O | | | | | | | | | |
| | | mii1_col | | 8 | I | | | | | | | | | 0 |
| | | pr1_mii1_rxlink | | 11 | I | | | | | | | | | 0 |
| | | pr1_pru1_gpi18 | | 12 | I | | | | | | | | | |
| | | pr1_pru1_gpo18 | | 13 | O | | | | | | | | | |
| | | gpio4_29 | | 14 | IO | | | | | | | | | |
| | | Driver off | | 15 | I | | | | | | | | | |

Table 4-1. Pin Attributes⁽¹⁾ (continued)

| BALL NUMBER [1] | BALL NAME [2] | SIGNAL NAME [3] | PN [4] | MUXMODE [5] | TYPE [6] | BALL RESET STATE [7] | BALL RESET REL. STATE [8] | BALL RESET REL. MUXMODE [9] | I/O VOLTAGE VALUE [10] | POWER [11] | HYS [12] | BUFFER TYPE [13] | PULL UP/DOWN TYPE [14] | DSIS [15] |
|-----------------|---------------|--------------------|------------|-------------|----------|----------------------|---------------------------|-----------------------------|------------------------|------------|----------|---------------------|------------------------|-----------|
| C13 | vin2a_d22 | vin2a_d22 | | 0 | I | PD | PD | 15 | 1.8/3.3 | vddshv1 | Yes | Dual Voltage LVCMOS | PU/PD | 0 |
| | | vin2b_d1 | | 2 | I | | | | | | | | | 0 |
| | | rgmii1_rxd1 | | 3 | I | | | | | | | | | 0 |
| | | vout2_d1 | No | 4 | O | | | | | | | | | |
| | | mii1_crs | | 8 | I | | | | | | | | | 0 |
| | | pr1_mii1_col | | 11 | I | | | | | | | | | 0 |
| | | pr1_pru1_gpi19 | | 12 | I | | | | | | | | | |
| | | pr1_pru1_gpo19 | | 13 | O | | | | | | | | | |
| | | gpio4_30 | | 14 | IO | | | | | | | | | |
| | Driver off | | 15 | I | | | | | | | | | | |
| D13 | vin2a_d23 | vin2a_d23 | | 0 | I | PD | PD | 15 | 1.8/3.3 | vddshv1 | Yes | Dual Voltage LVCMOS | PU/PD | 0 |
| | | vin2b_d0 | | 2 | I | | | | | | | | | 0 |
| | | rgmii1_rxd0 | | 3 | I | | | | | | | | | 0 |
| | | vout2_d0 | No | 4 | O | | | | | | | | | |
| | | mii1_txen | | 8 | O | | | | | | | | | |
| | | pr1_mii1_crs | | 11 | I | | | | | | | | | 0 |
| | | pr1_pru1_gpi20 | | 12 | I | | | | | | | | | |
| | | pr1_pru1_gpo20 | | 13 | O | | | | | | | | | |
| | | gpio4_31 | | 14 | IO | | | | | | | | | |
| | Driver off | | 15 | I | | | | | | | | | | |
| B7 | vin2a_de0 | vin2a_de0 | | 0 | I | PD | PD | 15 | 1.8/3.3 | vddshv1 | Yes | Dual Voltage LVCMOS | PU/PD | |
| | | vin2a_fld0 | | 1 | I | | | | | | | | | |
| | | vin2b_fld1 | | 2 | I | | | | | | | | | |
| | | vin2b_de1 | | 3 | I | | | | | | | | | |
| | | vout2_de | No | 4 | O | | | | | | | | | |
| | | emu6 | | 5 | O | | | | | | | | | |
| | | kbd_row1 | | 9 | I | | | | | | | | | 0 |
| | | eQEP1B_in | | 10 | I | | | | | | | | | 0 |
| | | pr1_edio_data_in1 | | 12 | I | | | | | | | | | 0 |
| | | pr1_edio_data_out1 | | 13 | O | | | | | | | | | |
| | | gpio3_29 | | 14 | IO | | | | | | | | | |
| | | | Driver off | | 15 | I | | | | | | | | |

Table 4-1. Pin Attributes⁽¹⁾ (continued)

| BALL NUMBER [1] | BALL NAME [2] | SIGNAL NAME [3] | PN [4] | MUXMODE [5] | TYPE [6] | BALL RESET STATE [7] | BALL RESET REL. STATE [8] | BALL RESET REL. MUXMODE [9] | I/O VOLTAGE VALUE [10] | POWER [11] | HYS [12] | BUFFER TYPE [13] | PULL UP/DOWN TYPE [14] | DSIS [15] | | | |
|-----------------------|---------------|--|--------------|--------------|----------|----------------------|---------------------------|-----------------------------|------------------------|------------|----------|---------------------|------------------------|-----------|-----|---------------------|-------|
| C7 | vin2a_fld0 | vin2a_fld0 | | 0 | I | PD | PD | 15 | 1.8/3.3 | vddshv1 | Yes | Dual Voltage LVCMOS | PU/PD | | | | |
| | | vin2b_clk1 | | 2 | I | | | | | | | | | | | | |
| | | vout2_clk | No | 4 | O | | | | | | | | | | | | |
| | | emu7 | | 5 | O | | | | | | | | | | | | |
| | | eQEP1_index | | 10 | IO | | | | | | | | | | | 0 | |
| | | pr1_edio_data_in2 | | 12 | I | | | | | | | | | | | 0 | |
| | | pr1_edio_data_out2 | | 13 | O | | | | | | | | | | | | |
| | | gpio3_30 gpmc_a27 gpmc_a18 Driver off | | 14 15 | IO I | | | | | | | | | | | | |
| E8 | vin2a_hsync0 | vin2a_hsync0 | | 0 | I | PD | PD | 15 | 1.8/3.3 | vddshv1 | Yes | Dual Voltage LVCMOS | PU/PD | | | | |
| | | vin2b_hsync1 | | 3 | I | | | | | | | | | | | | |
| | | vout2_hsync | No | 4 | O | | | | | | | | | | | | |
| | | emu8 | | 5 | O | | | | | | | | | | | | |
| | | uart9_rxd | | 7 | I | | | | | | | | | | | 1 | |
| | | spi4_sclk | | 8 | IO | | | | | | | | | | | 0 | |
| | | kbd_row2 | | 9 | I | | | | | | | | | | | 0 | |
| | | eQEP1_strobe | | 10 | IO | | | | | | | | | | | 0 | |
| | | pr1_uart0_cts_n | | 11 | I | | | | | | | | | | | 1 | |
| | | pr1_edio_data_in3 | | 12 | I | | | | | | | | | | | 0 | |
| | | pr1_edio_data_out3 | | 13 | O | | | | | | | | | | | | |
| | | gpio3_31 gpmc_a27 Driver off | | 14 15 | IO I | | | | | | | | | | | | |
| | | B8 | vin2a_vsync0 | vin2a_vsync0 | | 0 | I | PD | PD | 15 | 1.8/3.3 | | | vddshv1 | Yes | Dual Voltage LVCMOS | PU/PD |
| vin2b_vsync1 | | | | 3 | I | | | | | | | | | | | | |
| vout2_vsync | No | | | 4 | O | | | | | | | | | | | | |
| emu9 | | | | 5 | O | | | | | | | | | | | | |
| uart9_txd | | | | 7 | O | | | | | | | | | | | | |
| spi4_d1 | | | | 8 | IO | | | | | | | | | 0 | | | |
| kbd_row3 | | | | 9 | I | | | | | | | | | 0 | | | |
| ehrpwm1A | | | | 10 | O | | | | | | | | | | | | |
| pr1_uart0_rts_n | | | | 11 | O | | | | | | | | | | | | |
| pr1_edio_data_in4 | | | | 12 | I | | | | | | | | | 0 | | | |
| pr1_edio_data_out4 | | | | 13 | O | | | | | | | | | | | | |
| gpio4_0 Driver off | | | | 14 15 | IO I | | | | | | | | | | | | |

Table 4-1. Pin Attributes⁽¹⁾ (continued)

| BALL NUMBER [1] | BALL NAME [2] | SIGNAL NAME [3] | PN [4] | MUXMODE [5] | TYPE [6] | BALL RESET STATE [7] | BALL RESET REL. STATE [8] | BALL RESET REL. MUXMODE [9] | I/O VOLTAGE VALUE [10] | POWER [11] | HYS [12] | BUFFER TYPE [13] | PULL UP/DOWN TYPE [14] | DSIS [15] |
|--|---------------|----------------------|--------|-------------|----------|----------------------|---------------------------|-----------------------------|------------------------|------------------|-------------------|-------------------|------------------------|-----------|
| A1, A25, AA13, AA15, AA7, AA8, AA9, AB8, AC13, AE1, AE15, AE25, G13, G16, G8, H10, H12, H14, H16, H18, H19, H8, J10, J12, J14, J17, K11, K13, K15, K17, K9, L11, L13, L15, L18, L8, M12, M14, M16, M18, M20, M8, M9, N12, N14, N16, N17, N20, P11, P13, P15, P17, P19, P9, R11, R13, R15, R18, R19, R8, R9, T10, T12, T14, T16, T18, T8, U10, U12, U14, U16, U17, U19, V11, V13, V15, V17, V19, V8, V9, W19, W9, Y14, Y16, Y17, Y7 | vss | vss | | | GND | | | | | | | | | |
| AA12 | vssa_osc0 | vssa_osc0 | | | GND | | | | | | | | | |
| AB11 | vssa_osc1 | vssa_osc1 | | | GND | | | | | | | | | |
| AC10 | Wakeup0 | dcan1_rx | | 1 | I | | | 15 | 1.8/3.3 | vdda33v_u sb1 | Yes | IHHV1833 | PU/PD | 1 |
| | | gpio1_0 sys_nirq2 | | 14 | I | | | | | | | | | |
| | | Driver off | | 15 | I | | | | | | | | | |
| AB10 | Wakeup3 | sys_nirq1 | | 1 | I | | | 15 | 1.8/3.3 | vdda33v_u sb1 | Yes | IHHV1833 | PU/PD | |
| | | gpio1_3 dcan2_rx | | 14 | I | | | | | | | | | |
| | | Driver off | | 15 | I | | | | | | | | | |
| Y12 | xi_osc0 | xi_osc0 | | 0 | I | | | 1.8 | vdda_osc | No | LVC MOS Analog | | | |
| AC11 | xi_osc1 | xi_osc1 | | 0 | I | | | 1.8 | vdda_osc | No | LVC MOS Analog | | | |
| AB12 | xo_osc0 | xo_osc0 | | 0 | O | | | | 1.8 | vdda_osc | No | LVC MOS Analog | | |
| AA11 | xo_osc1 | xo_osc1 | | 0 | A | | | | 1.8 | vdda_osc | No | LVC MOS Analog | | |

Table 4-1. Pin Attributes⁽¹⁾ (continued)

| BALL NUMBER [1] | BALL NAME [2] | SIGNAL NAME [3] | PN [4] | MUXMODE [5] | TYPE [6] | BALL RESET STATE [7] | BALL RESET REL. STATE [8] | BALL RESET REL. MUXMODE [9] | I/O VOLTAGE VALUE [10] | POWER [11] | HYS [12] | BUFFER TYPE [13] | PULL UP/DOWN TYPE [14] | DSIS [15] | | | | |
|-----------------|---------------|-----------------|-----------|--------------|----------|----------------------|---------------------------|-----------------------------|------------------------|------------|----------|---------------------|------------------------|---------------------|-------|---------------------|-------|---|
| J25 | xref_clk0 | xref_clk0 | | 0 | I | PD | PD | 15 | 1.8/3.3 | vddshv3 | Yes | Dual Voltage LVCMOS | PU/PD | | | | | |
| | | mcasp2_axr8 | | 1 | IO | | | | | | | | | 0 | | | | |
| | | mcasp1_axr4 | | 2 | IO | | | | | | | | | 0 | | | | |
| | | mcasp1_ahclkx | | 3 | O | | | | | | | | | | | | | |
| | | mcasp5_ahclkx | | 4 | O | | | | | | | | | | | | | |
| | | vin1a_d0 | | 7 | I | | | | | | | | | 0 | | | | |
| | | hdq0 | | 8 | IO | | | | | | | | | 1 | | | | |
| | | clkout2 | | 9 | O | | | | | | | | | | | | | |
| | | timer13 | | 10 | IO | | | | | | | | | | | | | |
| | | pr2_mii1_col | | 11 | I | | | | | | | | | 0 | | | | |
| | | pr2_pru1_gpi5 | | 12 | I | | | | | | | | | | | | | |
| | | pr2_pru1_gpo5 | | 13 | O | | | | | | | | | | | | | |
| | | gpio6_17 | | 14 | IO | | | | | | | | | | | | | |
| | | Driver off | | 15 | I | | | | | | | | | | | | | |
| | | J24 | xref_clk1 | xref_clk1 | | 0 | I | PD | PD | 15 | 1.8/3.3 | | | vddshv3 | Yes | Dual Voltage LVCMOS | PU/PD | |
| mcasp2_axr9 | | | | 1 | IO | | | | | | | 0 | | | | | | |
| mcasp1_axr5 | | | | 2 | IO | | | | | | | 0 | | | | | | |
| mcasp2_ahclkx | | | | 3 | O | | | | | | | | | | | | | |
| mcasp6_ahclkx | | | | 4 | O | | | | | | | | | | | | | |
| vin1a_clk0 | | | | 7 | I | | | | | | | 0 | | | | | | |
| timer14 | | | | 10 | IO | | | | | | | | | | | | | |
| pr2_mii1_crs | | | | 11 | I | | | | | | | 0 | | | | | | |
| pr2_pru1_gpi6 | | | | 12 | I | | | | | | | | | | | | | |
| pr2_pru1_gpo6 | | | | 13 | O | | | | | | | | | | | | | |
| gpio6_18 | | | | 14 | IO | | | | | | | | | | | | | |
| Driver off | | | | 15 | I | | | | | | | | | | | | | |
| H24 | xref_clk2 | | | xref_clk2 | | 0 | I | PD | PD | 15 | 1.8/3.3 | vddshv3 | Yes | Dual Voltage LVCMOS | PU/PD | | | |
| | | | | mcasp2_axr10 | | 1 | IO | | | | | | | | | | | 0 |
| | | | | mcasp1_axr6 | | 2 | IO | | | | | | | | | | | 0 |
| | | mcasp3_ahclkx | | 3 | O | | | | | | | | | | | | | |
| | | mcasp7_ahclkx | | 4 | O | | | | | | | | | | | | | |
| | | timer15 | | 10 | IO | | | | | | | | | | | | | |
| | | gpio6_19 | | 14 | IO | | | | | | | | | | | | | |
| | | Driver off | | 15 | I | | | | | | | | | | | | | |

Table 4-1. Pin Attributes⁽¹⁾ (continued)

| BALL NUMBER [1] | BALL NAME [2] | SIGNAL NAME [3] | PN [4] | MUXMODE [5] | TYPE [6] | BALL RESET STATE [7] | BALL RESET REL. STATE [8] | BALL RESET REL. MUXMODE [9] | I/O VOLTAGE VALUE [10] | POWER [11] | HYS [12] | BUFFER TYPE [13] | PULL UP/DOWN TYPE [14] | DSIS [15] |
|-----------------|---------------|-----------------|--------|-------------|----------|----------------------|---------------------------|-----------------------------|------------------------|------------|----------|---------------------|------------------------|-----------|
| H25 | xref_clk3 | xref_clk3 | | 0 | I | PD | PD | 15 | 1.8/3.3 | vddshv3 | Yes | Dual Voltage LVCMOS | PU/PD | |
| | | mcasp2_axr11 | | 1 | IO | | | | | | | | | 0 |
| | | mcasp1_axr7 | | 2 | IO | | | | | | | | | 0 |
| | | mcasp4_ahclkx | | 3 | O | | | | | | | | | |
| | | mcasp8_ahclkx | | 4 | O | | | | | | | | | |
| | | hdq0 | | 7 | IO | | | | | | | | | 1 |
| | | clkout3 | | 9 | O | | | | | | | | | |
| | | timer16 | | 10 | IO | | | | | | | | | |
| | | gpio6_20 | | 14 | IO | | | | | | | | | |
| | | Driver off | | 15 | I | | | | | | | | | |

- (1) NA in this table stands for Not Applicable.
- (2) For more information on recommended operating conditions, see [Section 5.4, Recommended Operating Conditions](#).
- (3) The pullup or pulldown block strength is equal to: minimum = 50 μ A, typical = 100 μ A, maximum = 250 μ A.
- (4) The output impedance settings of this IO cell are programmable; by default, the value is DS[1:0] = 10, this means 40 Ω . For more information on DS[1:0] register configuration, see the Device TRM.
- (5) IO drive strength for usb1_dp, usb1_dm, usb2_dp and usb2_dm: minimum 18.3 mA, maximum 89 mA (for a power supply vdda33v_usb1 and vdda33v_usb2 = 3.46 V).
- (6) Minimum PU = 900 Ω , maximum PU = 3.090 k Ω and minimum PD = 14.25 k Ω , maximum PD = 24.8 k Ω .
For more information, see chapter 7 of the USB2.0 specification, in particular section Signaling / Device Speed Identification.
- (7) This function will not be supported on some pin-compatible roadmap devices. Pin compatibility can be maintained in the future by not using these GPIO signals.
- (8) In PUx / PDy, x and y = 60 to 200 μ A.
The output impedance settings (or drive strengths) of this IO are programmable (34 Ω , 40 Ω , 48 Ω , 60 Ω , 80 Ω) depending on the values of the I[2:0] registers.
- (9) The IHHV1833 buffer exists in the dual-voltage IO logic that can be powered by either 1.8V or 3.3V provided by vddshv3. However, the vddshv3 supply is only used for input protection circuitry, not for logic functionality. The logic in this buffer operates entirely on the vdds18v supply. Therefore, these input buffers are fully functional whenever vdds18v is valid.
- (10) The internal pull resistors for balls A4, E7, D6, C5, D7, C6, A5, B6 are permanently disabled when sysboot15 is set to 0 as described in the section Sysboot Configuration of the Device TRM. If internal pull-up/down resistors are desired on these balls then sysboot15 should be set to 1. If gpmc boot mode is used with SYSBOOT15=0 (not recommended) then external pull-downs should be implemented to keep the address bus at logic-1 value during boot since the gpmc ms-address bits are high-z during boot.
- (11) This signal is valid only for High-Security devices. For more details, see [Section 5.8, VPP Specification for One-Time Programmable \(OTP\) eFUSES](#). For General Purpose devices do not connect any signal, test point, or board trace to this signal.

4.3 Signal Descriptions

Many signals are available on multiple pins, according to the software configuration of the pin multiplexing options.

1. **SIGNAL NAME:** The name of the signal passing through the pin.

NOTE

The subsystem multiplexing signals are not described in [Table 4-1](#) and [Table 4-31](#).

2. **DESCRIPTION:** Description of the signal

3. **TYPE:** Signal direction and type:

- I = Input
- O = Output
- IO = Input or output
- D = Open Drain
- DS = Differential
- A = Analog
- PWR = Power
- GND = Ground

4. **BALL:** Associated ball(s) bottom
-

NOTE

For more information, see the Control Module / Control Module Register Manual section of the Device TRM.

4.3.1 VIP

NOTE

For more information, see the Video Input Port (VIP) section of the Device TRM.

Table 4-2. VIP Signal Descriptions

| SIGNAL NAME | DESCRIPTION | TYPE | BALL |
|----------------------|--|------|-------------------|
| Video Input 1 | | | |
| vin1a_clk0 | Video Input 1 Port A Clock input. Input clock for 8-bit 16-bit or 24-bit Port A video capture. Input data is sampled on the CLK0 edge. | I | G3, J24, Y5 |
| vin1a_d0 | Video Input 1 Port A Data input | I | AA1, B23, F1, J25 |
| vin1a_d1 | Video Input 1 Port A Data input | I | B22, E2, Y3 |
| vin1a_d2 | Video Input 1 Port A Data input | I | A23, E1, W2 |
| vin1a_d3 | Video Input 1 Port A Data input | I | A22, AA3, C1 |
| vin1a_d4 | Video Input 1 Port A Data input | I | AA2, B21, D1 |
| vin1a_d5 | Video Input 1 Port A Data input | I | A21, D2, Y4 |
| vin1a_d6 | Video Input 1 Port A Data input | I | B1, D19, Y1 |
| vin1a_d7 | Video Input 1 Port A Data input | I | B2, E19, Y2 |
| vin1a_d8 | Video Input 1 Port A Data input | I | C2, F16 |
| vin1a_d9 | Video Input 1 Port A Data input | I | D3, E16 |
| vin1a_d10 | Video Input 1 Port A Data input | I | A2, E17 |
| vin1a_d11 | Video Input 1 Port A Data input | I | A19, B3 |
| vin1a_d12 | Video Input 1 Port A Data input | I | B18, C3 |
| vin1a_d13 | Video Input 1 Port A Data input | I | B16, C4 |
| vin1a_d14 | Video Input 1 Port A Data input | I | A3, B17 |

Table 4-2. VIP Signal Descriptions (continued)

| SIGNAL NAME | DESCRIPTION | TYPE | BALL |
|----------------------|--|------|--------------|
| vin1a_d15 | Video Input 1 Port A Data input | I | A18, B4 |
| vin1a_d16 | Video Input 1 Port A Data input | I | M1 |
| vin1a_d17 | Video Input 1 Port A Data input | I | M2 |
| vin1a_d18 | Video Input 1 Port A Data input | I | L2 |
| vin1a_d19 | Video Input 1 Port A Data input | I | L1 |
| vin1a_d20 | Video Input 1 Port A Data input | I | K3 |
| vin1a_d21 | Video Input 1 Port A Data input | I | K2 |
| vin1a_d22 | Video Input 1 Port A Data input | I | J1 |
| vin1a_d23 | Video Input 1 Port A Data input | I | K1 |
| vin1a_de0 | Video Input 1 Port A Field ID input | I | C17, J2, Y6 |
| vin1a_fld0 | Video Input 1 Port A Field ID input | I | C16, L3 |
| vin1a_hsync0 | Video Input 1 Port A Horizontal Sync input | I | AA4, B14, K4 |
| vin1a_vsync0 | Video Input 1 Port A Vertical Sync input | I | AB1, D14, H1 |
| vin1b_clk1 | Video Input 1 Port B Clock input | I | J2, L5 |
| vin1b_d0 | Video Input 1 Port B Data input | I | L6, M1 |
| vin1b_d1 | Video Input 1 Port B Data input | I | M2, N5 |
| vin1b_d2 | Video Input 1 Port B Data input | I | L2, N6 |
| vin1b_d3 | Video Input 1 Port B Data input | I | L1, T4 |
| vin1b_d4 | Video Input 1 Port B Data input | I | K3, T5 |
| vin1b_d5 | Video Input 1 Port B Data input | I | K2, N2 |
| vin1b_d6 | Video Input 1 Port B Data input | I | J1, P2 |
| vin1b_d7 | Video Input 1 Port B Data input | I | K1, N1 |
| vin1b_de1 | Video Input 1 Port B Field ID input | I | L3, P4 |
| vin1b_fld1 | Video Input 1 Port B Field ID input | I | G1, N4 |
| vin1b_hsync1 | Video Input 1 Port B Horizontal Sync input | I | K4, P3 |
| vin1b_vsync1 | Video Input 1 Port B Vertical Sync input | I | H1, R2 |
| Video Input 2 | | | |
| vin2a_clk0 | Video Input 2 Port A Clock input. | I | D8, L5 |
| vin2a_d0 | Video Input 2 Port A Data input | I | C8, L6 |
| vin2a_d1 | Video Input 2 Port A Data input | I | B9, N5 |
| vin2a_d2 | Video Input 2 Port A Data input | I | A7, N6 |
| vin2a_d3 | Video Input 2 Port A Data input | I | A9, T4 |
| vin2a_d4 | Video Input 2 Port A Data input | I | A8, T5 |
| vin2a_d5 | Video Input 2 Port A Data input | I | A11, N2 |
| vin2a_d6 | Video Input 2 Port A Data input | I | F10, P2 |
| vin2a_d7 | Video Input 2 Port A Data input | I | A10, N1 |
| vin2a_d8 | Video Input 2 Port A Data input | I | B10, P1 |
| vin2a_d9 | Video Input 2 Port A Data input | I | E10, N3 |
| vin2a_d10 | Video Input 2 Port A Data input | I | D10, R1 |
| vin2a_d11 | Video Input 2 Port A Data input | I | C10, P5 |
| vin2a_d12 | Video Input 2 Port A Data input | I | B11 |
| vin2a_d13 | Video Input 2 Port A Data input | I | D11 |
| vin2a_d14 | Video Input 2 Port A Data input | I | C11 |
| vin2a_d15 | Video Input 2 Port A Data input | I | B12 |
| vin2a_d16 | Video Input 2 Port A Data input | I | A12 |
| vin2a_d17 | Video Input 2 Port A Data input | I | A13 |
| vin2a_d18 | Video Input 2 Port A Data input | I | E11 |

Table 4-2. VIP Signal Descriptions (continued)

| SIGNAL NAME | DESCRIPTION | TYPE | BALL |
|--------------|--|------|-----------------|
| vin2a_d19 | Video Input 2 Port A Data input | I | F11 |
| vin2a_d20 | Video Input 2 Port A Data input | I | B13 |
| vin2a_d21 | Video Input 2 Port A Data input | I | E13 |
| vin2a_d22 | Video Input 2 Port A Data input | I | C13 |
| vin2a_d23 | Video Input 2 Port A Data input | I | D13 |
| vin2a_de0 | Video Input 2 Port A Field ID input | I | B7, P4 |
| vin2a_fld0 | Video Input 2 Port A Field ID input | I | B7, C7, N4 |
| vin2a_hsync0 | Video Input 2 Port A Horizontal Sync input | I | E8, P3 |
| vin2a_vsync0 | Video Input 2 Port A Vertical Sync input | I | B8, R2 |
| vin2b_clk1 | Video Input 2 Port B Clock input | I | AB1, C7, L4, H6 |
| vin2b_d0 | Video Input 2 Port B Data input | I | AA1, D13, A4 |
| vin2b_d1 | Video Input 2 Port B Data input | I | C13, Y3, E7 |
| vin2b_d2 | Video Input 2 Port B Data input | I | E13, W2, D6 |
| vin2b_d3 | Video Input 2 Port B Data input | I | AA3, B13, C5 |
| vin2b_d4 | Video Input 2 Port B Data input | I | AA2, F11, B5 |
| vin2b_d5 | Video Input 2 Port B Data input | I | E11, Y4, D7 |
| vin2b_d6 | Video Input 2 Port B Data input | I | A13, Y1, C6 |
| vin2b_d7 | Video Input 2 Port B Data input | I | A12, Y2, A5 |
| vin2b_de1 | Video Input 2 Port B Field ID input | I | AA4, B7, H2 |
| vin2b_fld1 | Video Input 2 Port B Field ID input | I | B7, H6 |
| vin2b_hsync1 | Video Input 2 Port B Horizontal Sync input | I | E8, Y5, B6 |
| vin2b_vsync1 | Video Input 2 Port B Vertical Sync input | I | B8, Y6, A6 |

4.3.2 DSS

Table 4-3. DSS Signal Descriptions

| SIGNAL NAME | DESCRIPTION | TYPE | BALL |
|---------------------------|-----------------------------|------|------|
| DPI Video Output 2 | | | |
| vout2_clk | Video Output 2 Clock output | O | C7 |
| vout2_d0 | Video Output 2 Data output | O | D13 |
| vout2_d1 | Video Output 2 Data output | O | C13 |
| vout2_d2 | Video Output 2 Data output | O | E13 |
| vout2_d3 | Video Output 2 Data output | O | B13 |
| vout2_d4 | Video Output 2 Data output | O | F11 |
| vout2_d5 | Video Output 2 Data output | O | E11 |
| vout2_d6 | Video Output 2 Data output | O | A13 |
| vout2_d7 | Video Output 2 Data output | O | A12 |
| vout2_d8 | Video Output 2 Data output | O | B12 |
| vout2_d9 | Video Output 2 Data output | O | C11 |
| vout2_d10 | Video Output 2 Data output | O | D11 |
| vout2_d11 | Video Output 2 Data output | O | B11 |
| vout2_d12 | Video Output 2 Data output | O | C10 |
| vout2_d13 | Video Output 2 Data output | O | D10 |
| vout2_d14 | Video Output 2 Data output | O | E10 |
| vout2_d15 | Video Output 2 Data output | O | B10 |
| vout2_d16 | Video Output 2 Data output | O | A10 |
| vout2_d17 | Video Output 2 Data output | O | F10 |

Table 4-3. DSS Signal Descriptions (continued)

| SIGNAL NAME | DESCRIPTION | TYPE | BALL |
|---------------------------|---|------|------|
| vout2_d18 | Video Output 2 Data output | O | A11 |
| vout2_d19 | Video Output 2 Data output | O | A8 |
| vout2_d20 | Video Output 2 Data output | O | A9 |
| vout2_d21 | Video Output 2 Data output | O | A7 |
| vout2_d22 | Video Output 2 Data output | O | B9 |
| vout2_d23 | Video Output 2 Data output | O | C8 |
| vout2_de | Video Output 2 Data Enable output | O | B7 |
| vout2_fld | Video Output 2 Field ID output. This signal is not used for embedded sync modes. | O | D8 |
| vout2_hsync | Video Output 2 Horizontal Sync output. This signal is not used for embedded sync modes. | O | E8 |
| vout2_vsync | Video Output 2 Vertical Sync output. This signal is not used for embedded sync modes. | O | B8 |
| DPI Video Output 3 | | | |
| vout3_clk | Video Output 3 Clock output | O | G3 |
| vout3_d0 | Video Output 3 Data output | O | F1 |
| vout3_d1 | Video Output 3 Data output | O | E2 |
| vout3_d2 | Video Output 3 Data output | O | E1 |
| vout3_d3 | Video Output 3 Data output | O | C1 |
| vout3_d4 | Video Output 3 Data output | O | D1 |
| vout3_d5 | Video Output 3 Data output | O | D2 |
| vout3_d6 | Video Output 3 Data output | O | B1 |
| vout3_d7 | Video Output 3 Data output | O | B2 |
| vout3_d8 | Video Output 3 Data output | O | C2 |
| vout3_d9 | Video Output 3 Data output | O | D3 |
| vout3_d10 | Video Output 3 Data output | O | A2 |
| vout3_d11 | Video Output 3 Data output | O | B3 |
| vout3_d12 | Video Output 3 Data output | O | C3 |
| vout3_d13 | Video Output 3 Data output | O | C4 |
| vout3_d14 | Video Output 3 Data output | O | A3 |
| vout3_d15 | Video Output 3 Data output | O | B4 |
| vout3_d16 | Video Output 3 Data output | O | M1 |
| vout3_d17 | Video Output 3 Data output | O | M2 |
| vout3_d18 | Video Output 3 Data output | O | L2 |
| vout3_d19 | Video Output 3 Data output | O | L1 |
| vout3_d20 | Video Output 3 Data output | O | K3 |
| vout3_d21 | Video Output 3 Data output | O | K2 |
| vout3_d22 | Video Output 3 Data output | O | J1 |
| vout3_d23 | Video Output 3 Data output | O | K1 |
| vout3_de | Video Output 3 Data Enable output | O | J2 |
| vout3_fld | Video Output 3 Field ID output. This signal is not used for embedded sync modes. | O | L3 |
| vout3_hsync | Video Output 3 Horizontal Sync output. This signal is not used for embedded sync modes. | O | K4 |
| vout3_vsync | Video Output 3 Vertical Sync output. This signal is not used for embedded sync modes. | O | H1 |

4.3.3 HDMI

NOTE

For more information, see the Display Subsystem / Display Subsystem Overview of the Device TRM.

Table 4-4. HDMI Signal Descriptions

| SIGNAL NAME | DESCRIPTION | TYPE | BALL |
|---------------|---|------|----------|
| hdmi1_cec | HDMI consumer electronic control | IOD | E25, H23 |
| hdmi1_hpd | HDMI display hot plug detect | IO | E24, H22 |
| hdmi1_ddc_scl | HDMI display data channel clock | IOD | F23 |
| hdmi1_ddc_sda | HDMI display data channel data | IOD | G21 |
| hdmi1_clockx | HDMI clock differential positive or negative | ODS | AE9 |
| hdmi1_clocky | HDMI clock differential positive or negative | ODS | AD10 |
| hdmi1_data2x | HDMI data 2 differential positive or negative | ODS | AE14 |
| hdmi1_data2y | HDMI data 2 differential positive or negative | ODS | AD15 |
| hdmi1_data1x | HDMI data 1 differential positive or negative | ODS | AE12 |
| hdmi1_data1y | HDMI data 1 differential positive or negative | ODS | AD13 |
| hdmi1_data0x | HDMI data 0 differential positive or negative | ODS | AE11 |
| hdmi1_data0y | HDMI data 0 differential positive or negative | ODS | AD12 |

4.3.4 CSI2**NOTE**

For more information, see the CAL Subsystem / CAL Subsystem Overview of the Device TRM.

Table 4-5. CSI 2 Signal Descriptions

| SIGNAL NAME | DESCRIPTION | TYPE | BALL |
|-------------|---|------|------|
| csi2_0_dx0 | Serial data/clock input - lane 0 (position 1) | I | AC1 |
| csi2_0_dy0 | Serial data/clock input - lane 0 (position 1) | I | AB2 |
| csi2_0_dx1 | Serial data/clock input - lane 1 (position 2) | I | AD1 |
| csi2_0_dy1 | Serial data/clock input - lane 1 (position 2) | I | AC2 |
| csi2_0_dx2 | Serial data/clock input - lane 2 (position 3) | I | AE2 |
| csi2_0_dy2 | Serial data/clock input - lane 2 (position 3) | I | AD2 |

4.3.5 EMIF**NOTE**

For more information, see the Memory Subsystem / EMIF Controller section of the Device TRM.

NOTE

The index number 1 which is part of the EMIF1 signal prefixes (ddr1_*) listed in [Table 4-6](#), EMIF Signal Descriptions, column "SIGNAL NAME" not to be confused with DDR1 type of SDRAM memories.

Table 4-6. EMIF Signal Descriptions

| SIGNAL NAME | DESCRIPTION | TYPE | BALL |
|-------------|--|------|------|
| ddr1_csn0 | EMIF1 Chip Select 0 | O | AC19 |
| ddr1_cke | EMIF1 Clock Enable | O | AB18 |
| ddr1_ck | EMIF1 Clock | O | AD21 |
| ddr1_nck | EMIF1 Negative Clock | O | AE21 |
| ddr1_odt0 | EMIF1 On-Die Termination for Chip Select 0 | O | AD18 |

Table 4-6. EMIF Signal Descriptions (continued)

| SIGNAL NAME | DESCRIPTION | TYPE | BALL |
|-------------|--------------------------------------|------|------|
| ddr1_casn | EMIF1 Column Address Strobe | O | AD16 |
| ddr1_rasn | EMIF1 Row Address Strobe | O | AD17 |
| ddr1_wen | EMIF1 Write Enable | O | AE18 |
| ddr1_rst | EMIF1 Reset output (DDR3-SDRAM only) | O | AE17 |
| ddr1_ba0 | EMIF1 Bank Address | O | AE16 |
| ddr1_ba1 | EMIF1 Bank Address | O | AA16 |
| ddr1_ba2 | EMIF1 Bank Address | O | AB16 |
| ddr1_a0 | EMIF1 Address Bus | O | AC18 |
| ddr1_a1 | EMIF1 Address Bus | O | AE19 |
| ddr1_a2 | EMIF1 Address Bus | O | AD19 |
| ddr1_a3 | EMIF1 Address Bus | O | AB19 |
| ddr1_a4 | EMIF1 Address Bus | O | AD20 |
| ddr1_a5 | EMIF1 Address Bus | O | AE20 |
| ddr1_a6 | EMIF1 Address Bus | O | AA18 |
| ddr1_a7 | EMIF1 Address Bus | O | AA20 |
| ddr1_a8 | EMIF1 Address Bus | O | Y21 |
| ddr1_a9 | EMIF1 Address Bus | O | AC20 |
| ddr1_a10 | EMIF1 Address Bus | O | AA21 |
| ddr1_a11 | EMIF1 Address Bus | O | AC21 |
| ddr1_a12 | EMIF1 Address Bus | O | AC22 |
| ddr1_a13 | EMIF1 Address Bus | O | AC15 |
| ddr1_a14 | EMIF1 Address Bus | O | AB15 |
| ddr1_a15 | EMIF1 Address Bus | O | AC16 |
| ddr1_d0 | EMIF1 Data Bus | IO | AA23 |
| ddr1_d1 | EMIF1 Data Bus | IO | AC24 |
| ddr1_d2 | EMIF1 Data Bus | IO | AB24 |
| ddr1_d3 | EMIF1 Data Bus | IO | AD24 |
| ddr1_d4 | EMIF1 Data Bus | IO | AB23 |
| ddr1_d5 | EMIF1 Data Bus | IO | AC23 |
| ddr1_d6 | EMIF1 Data Bus | IO | AD23 |
| ddr1_d7 | EMIF1 Data Bus | IO | AE24 |
| ddr1_d8 | EMIF1 Data Bus | IO | AA24 |
| ddr1_d9 | EMIF1 Data Bus | IO | W25 |
| ddr1_d10 | EMIF1 Data Bus | IO | Y23 |
| ddr1_d11 | EMIF1 Data Bus | IO | AD25 |
| ddr1_d12 | EMIF1 Data Bus | IO | AC25 |
| ddr1_d13 | EMIF1 Data Bus | IO | AB25 |
| ddr1_d14 | EMIF1 Data Bus | IO | AA25 |
| ddr1_d15 | EMIF1 Data Bus | IO | W24 |
| ddr1_d16 | EMIF1 Data Bus | IO | W23 |
| ddr1_d17 | EMIF1 Data Bus | IO | U25 |
| ddr1_d18 | EMIF1 Data Bus | IO | U24 |
| ddr1_d19 | EMIF1 Data Bus | IO | W21 |
| ddr1_d20 | EMIF1 Data Bus | IO | T22 |
| ddr1_d21 | EMIF1 Data Bus | IO | U22 |
| ddr1_d22 | EMIF1 Data Bus | IO | U23 |
| ddr1_d23 | EMIF1 Data Bus | IO | T21 |

Table 4-6. EMIF Signal Descriptions (continued)

| SIGNAL NAME | DESCRIPTION | TYPE | BALL |
|-------------|--|------|------|
| ddr1_d24 | EMIF1 Data Bus | IO | T23 |
| ddr1_d25 | EMIF1 Data Bus | IO | T25 |
| ddr1_d26 | EMIF1 Data Bus | IO | T24 |
| ddr1_d27 | EMIF1 Data Bus | IO | P21 |
| ddr1_d28 | EMIF1 Data Bus | IO | N21 |
| ddr1_d29 | EMIF1 Data Bus | IO | P22 |
| ddr1_d30 | EMIF1 Data Bus | IO | P23 |
| ddr1_d31 | EMIF1 Data Bus | IO | P24 |
| ddr1_dqm0 | EMIF1 Data Mask | O | AE23 |
| ddr1_dqm1 | EMIF1 Data Mask | O | W22 |
| ddr1_dqm2 | EMIF1 Data Mask | O | U21 |
| ddr1_dqm3 | EMIF1 Data Mask | O | P25 |
| ddr1_dqs0 | Data strobe 0 input/output for byte 0 of the 32-bit data bus. This signal is output to the EMIF1 memory when writing and input when reading. | IO | AD22 |
| ddr1_dqsn0 | Data strobe 0 invert | IO | AE22 |
| ddr1_dqs1 | Data strobe 1 input/output for byte 1 of the 32-bit data bus. This signal is output to the EMIF1 memory when writing and input when reading. | IO | Y24 |
| ddr1_dqsn1 | Data strobe 1 invert | IO | Y25 |
| ddr1_dqs2 | Data strobe 2 input/output for byte 2 of the 32-bit data bus. This signal is output to the EMIF1 memory when writing and input when reading. | IO | V24 |
| ddr1_dqsn2 | Data strobe 2 invert | IO | V25 |
| ddr1_dqs3 | Data strobe 3 input/output for byte 3 of the 32-bit data bus. This signal is output to the EMIF1 memory when writing and input when reading. | IO | R24 |
| ddr1_dqsn3 | Data strobe 3 invert | IO | R25 |
| ddr1_vref0 | Reference Power Supply EMIF1 | A | Y20 |

4.3.6 GPMC

NOTE

For more information, see the Memory Subsystem / General-Purpose Memory Controller section of the Device TRM.

Table 4-7. GPMC Signal Descriptions

| SIGNAL NAME | DESCRIPTION | TYPE | BALL |
|-------------|---|------|------|
| gpmc_ad0 | GPMC Data 0 in A/D nonmultiplexed mode and additionally Address 1 in A/D multiplexed mode | IO | F1 |
| gpmc_ad1 | GPMC Data 1 in A/D nonmultiplexed mode and additionally Address 2 in A/D multiplexed mode | IO | E2 |
| gpmc_ad2 | GPMC Data 2 in A/D nonmultiplexed mode and additionally Address 3 in A/D multiplexed mode | IO | E1 |
| gpmc_ad3 | GPMC Data 3 in A/D nonmultiplexed mode and additionally Address 4 in A/D multiplexed mode | IO | C1 |
| gpmc_ad4 | GPMC Data 4 in A/D nonmultiplexed mode and additionally Address 5 in A/D multiplexed mode | IO | D1 |
| gpmc_ad5 | GPMC Data 5 in A/D nonmultiplexed mode and additionally Address 6 in A/D multiplexed mode | IO | D2 |
| gpmc_ad6 | GPMC Data 6 in A/D nonmultiplexed mode and additionally Address 7 in A/D multiplexed mode | IO | B1 |
| gpmc_ad7 | GPMC Data 7 in A/D nonmultiplexed mode and additionally Address 8 in A/D multiplexed mode | IO | B2 |

Table 4-7. GPMC Signal Descriptions (continued)

| SIGNAL NAME | DESCRIPTION | TYPE | BALL |
|-------------|---|------|----------------------------|
| gpmc_ad8 | GPMC Data 8 in A/D nonmultiplexed mode and additionally Address 9 in A/D multiplexed mode | IO | C2 |
| gpmc_ad9 | GPMC Data 9 in A/D nonmultiplexed mode and additionally Address 10 in A/D multiplexed mode | IO | D3 |
| gpmc_ad10 | GPMC Data 10 in A/D nonmultiplexed mode and additionally Address 11 in A/D multiplexed mode | IO | A2 |
| gpmc_ad11 | GPMC Data 11 in A/D nonmultiplexed mode and additionally Address 12 in A/D multiplexed mode | IO | B3 |
| gpmc_ad12 | GPMC Data 12 in A/D nonmultiplexed mode and additionally Address 13 in A/D multiplexed mode | IO | C3 |
| gpmc_ad13 | GPMC Data 13 in A/D nonmultiplexed mode and additionally Address 14 in A/D multiplexed mode | IO | C4 |
| gpmc_ad14 | GPMC Data 14 in A/D nonmultiplexed mode and additionally Address 15 in A/D multiplexed mode | IO | A3 |
| gpmc_ad15 | GPMC Data 15 in A/D nonmultiplexed mode and additionally Address 16 in A/D multiplexed mode | IO | B4 |
| gpmc_a0 | GPMC Address 0. Only used to effectively address 8-bit data nonmultiplexed memories | O | G1, M1 |
| gpmc_a1 | GPMC address 1 in A/D nonmultiplexed mode and Address 17 in A/D multiplexed mode | O | G3, M2 |
| gpmc_a2 | GPMC address 2 in A/D nonmultiplexed mode and Address 18 in A/D multiplexed mode | O | H5, L2 |
| gpmc_a3 | GPMC address 3 in A/D nonmultiplexed mode and Address 19 in A/D multiplexed mode | O | H6, L1 |
| gpmc_a4 | GPMC address 4 in A/D nonmultiplexed mode and Address 20 in A/D multiplexed mode | O | K3 |
| gpmc_a5 | GPMC address 5 in A/D nonmultiplexed mode and Address 21 in A/D multiplexed mode | O | K2 |
| gpmc_a6 | GPMC address 6 in A/D nonmultiplexed mode and Address 22 in A/D multiplexed mode | O | J1 |
| gpmc_a7 | GPMC address 7 in A/D nonmultiplexed mode and Address 23 in A/D multiplexed mode | O | K1 |
| gpmc_a8 | GPMC address 8 in A/D nonmultiplexed mode and Address 24 in A/D multiplexed mode | O | K4 |
| gpmc_a9 | GPMC address 9 in A/D nonmultiplexed mode and Address 25 in A/D multiplexed mode | O | H1 |
| gpmc_a10 | GPMC address 10 in A/D nonmultiplexed mode and Address 26 in A/D multiplexed mode | O | J2 |
| gpmc_a11 | GPMC address 11 in A/D nonmultiplexed mode and unused in A/D multiplexed mode | O | L3 |
| gpmc_a12 | GPMC address 12 in A/D nonmultiplexed mode and unused in A/D multiplexed mode | O | G1 |
| gpmc_a13 | GPMC address 13 in A/D nonmultiplexed mode and unused in A/D multiplexed mode | O | A4, H3, G4 |
| gpmc_a14 | GPMC address 14 in A/D nonmultiplexed mode and unused in A/D multiplexed mode | O | E7, H4, G3 |
| gpmc_a15 | GPMC address 15 in A/D nonmultiplexed mode and unused in A/D multiplexed mode | O | D6, K6, F6 |
| gpmc_a16 | GPMC address 16 in A/D nonmultiplexed mode and unused in A/D multiplexed mode | O | C5, K5, M1 |
| gpmc_a17 | GPMC address 17 in A/D nonmultiplexed mode and unused in A/D multiplexed mode | O | B5, G2, D8 |
| gpmc_a18 | GPMC address 18 in A/D nonmultiplexed mode and unused in A/D multiplexed mode | O | D7, F2, C7 |
| gpmc_a19 | GPMC address 19 in A/D nonmultiplexed mode and unused in A/D multiplexed mode | O | A4 ⁽³⁾ , C6, H5 |

Table 4-7. GPMC Signal Descriptions (continued)

| SIGNAL NAME | DESCRIPTION | TYPE | BALL |
|----------------------------|---|------|--------------------------------|
| gpmc_a20 | GPMC address 20 in A/D nonmultiplexed mode and unused in A/D multiplexed mode | O | A5, E7 ⁽³⁾ , L4 |
| gpmc_a21 | GPMC address 21 in A/D nonmultiplexed mode and unused in A/D multiplexed mode | O | B6, D6 ⁽³⁾ , H2 |
| gpmc_a22 | GPMC address 22 in A/D nonmultiplexed mode and unused in A/D multiplexed mode | O | A6, C5 ⁽³⁾ , H6 |
| gpmc_a23 | GPMC address 23 in A/D nonmultiplexed mode and unused in A/D multiplexed mode | O | B5, H5, C10, G4 |
| gpmc_a24 | GPMC address 24 in A/D nonmultiplexed mode and unused in A/D multiplexed mode | O | D7 ⁽³⁾ , D10, G3 |
| gpmc_a25 | GPMC address 25 in A/D nonmultiplexed mode and unused in A/D multiplexed mode | O | C6 ⁽³⁾ , F6, E10 |
| gpmc_a26 | GPMC address 26 in A/D nonmultiplexed mode and unused in A/D multiplexed mode | O | A5 ⁽³⁾ , M1, B10 |
| gpmc_a27 | GPMC address 27 in A/D nonmultiplexed mode and Address 27 in A/D multiplexed mode | O | B6 ⁽³⁾ , D8, C7, E8 |
| gpmc_cs0 | GPMC Chip Select 0 (active low) | O | F3 |
| gpmc_cs1 | GPMC Chip Select 1 (active low) | O | A6 |
| gpmc_cs2 | GPMC Chip Select 2 (active low) | O | G4 |
| gpmc_cs3 | GPMC Chip Select 3 (active low) | O | G3 |
| gpmc_cs4 | GPMC Chip Select 4 (active low) | O | H2 |
| gpmc_cs5 | GPMC Chip Select 5 (active low) | O | H6 |
| gpmc_cs6 | GPMC Chip Select 6 (active low) | O | H5 |
| gpmc_cs7 | GPMC Chip Select 7 (active low) | O | L4 |
| gpmc_clk ⁽¹⁾⁽²⁾ | GPMC Clock output | IO | L4 |
| gpmc_advn_ale | GPMC address valid active low or address latch enable | O | H5 |
| gpmc_oen_ren | GPMC output enable active low or read enable | O | G5 |
| gpmc_wen | GPMC write enable active low | O | G6 |
| gpmc_ben0 | GPMC lower-byte enable active low | O | H2 |
| gpmc_ben1 | GPMC upper-byte enable active low | O | H6 |
| gpmc_wait0 | GPMC external indication of wait 0 | I | F6 |
| gpmc_wait1 | GPMC external indication of wait 1 | I | H5, L4 |

- (1) This clock signal is implemented as 'pad loopback' inside the device - the output signal is looped back through the input buffer to serve as the internal reference signal. Series termination is recommended (as close to device pin as possible) to improve signal integrity of the clock input. Any nonmonotonicity in voltage that occurs at the pad loopback clock pin between V_{IH} and V_{IL} must be less than V_{HYS} .
- (2) The gpio6_16.clkout1 signal can be used as an "always-on" alternative to gpmc_clk provided that the external device can support the associated timing. See [Table 5-49, GPMC/NOR Flash Interface Switching Characteristics - Synchronous Mode - Default](#) and [Table 5-51 GPMC/NOR Flash Interface Switching Characteristics - Synchronous Mode - Alternate](#) for timing information.
- (3) The internal pull resistors for balls A4, E7, D6, C5, D7, C6, A5, B6 are permanently disabled when sysboot15 is set to 0 as described in the section Sysboot Configuration of the Device TRM. If internal pull-up/down resistors are desired on these balls then sysboot15 should be set to 1. If gpmc boot mode is used with SYSBOOT15=0 (not recommended) then external pull-downs should be implemented to keep the address bus at logic-1 value during boot since the gpmc ms-address bits are high-z during boot.

4.3.7 Timers

NOTE

For more information, see the Timers section of the Device TRM.

Table 4-8. Timers Signal Descriptions

| SIGNAL NAME | DESCRIPTION | TYPE | BALL |
|-------------|--------------------------------|------|---------|
| timer1 | PWM output/event trigger input | IO | H21, H6 |

Table 4-8. Timers Signal Descriptions (continued)

| SIGNAL NAME | DESCRIPTION | TYPE | BALL |
|-------------|--------------------------------|------|----------|
| timer2 | PWM output/event trigger input | IO | H2, K22 |
| timer3 | PWM output/event trigger input | IO | H5, K23 |
| timer4 | PWM output/event trigger input | IO | A16, L4 |
| timer5 | PWM output/event trigger input | IO | A18, K6 |
| timer6 | PWM output/event trigger input | IO | B17, H4 |
| timer7 | PWM output/event trigger input | IO | B16, H3 |
| timer8 | PWM output/event trigger input | IO | B18, G1 |
| timer9 | PWM output/event trigger input | IO | A19, L3 |
| timer10 | PWM output/event trigger input | IO | E17, J2 |
| timer11 | PWM output/event trigger input | IO | E16, H1 |
| timer12 | PWM output/event trigger input | IO | F16, K4 |
| timer13 | PWM output/event trigger input | IO | J25 |
| timer14 | PWM output/event trigger input | IO | J24 |
| timer15 | PWM output/event trigger input | IO | AA6, H24 |
| timer16 | PWM output/event trigger input | IO | AD3, H25 |

4.3.8 I²C

NOTE

For more information, see the Serial Communication Interface / Multimaster High-Speed I2C Controller / HS I2C Environment / HS I2C in I2C Mode section of the Device TRM.

NOTE

I²C1 and I²C2 do NOT support HS-mode.

Table 4-9. I²C Signal Descriptions

| SIGNAL NAME | DESCRIPTION | TYPE | BALL |
|--|-------------|------|------------------|
| Inter-Integrated Circuit Interface 1 (I2C1) | | | |
| i2c1_scl | I2C1 Clock | IOD | G22 |
| i2c1_sda | I2C1 Data | IOD | G23 |
| Inter-Integrated Circuit Interface 2 (I2C2) | | | |
| i2c2_scl | I2C2 Clock | IOD | G21 |
| i2c2_sda | I2C2 Data | IOD | F23 |
| Inter-Integrated Circuit Interface 3 (I2C3) | | | |
| i2c3_scl | I2C3 Clock | IOD | C17, K22, L4, Y6 |
| i2c3_sda | I2C3 Data | IOD | C16, H21, H5, Y5 |
| Inter-Integrated Circuit Interface 4 (I2C4) | | | |
| i2c4_scl | I2C4 Clock | IOD | B25, D17, M1, V5 |
| i2c4_sda | I2C4 Data | IOD | C23, D16, M2, U5 |
| Inter-Integrated Circuit Interface 5 (I2C5) | | | |
| i2c5_scl | I2C5 Clock | IOD | B14, K3, U6 |
| i2c5_sda | I2C5 Data | IOD | AC3, D14, K2 |

4.3.9 HDQ1W

NOTE

For more information, see the Serial Communication Interface / HDQ/1-Wire section of the Device TRM.

Table 4-10. HDQ / 1-Wire Signal Descriptions

| SIGNAL NAME | DESCRIPTION | TYPE | BALL |
|-------------|---|------|----------|
| hdq0 | HDQ or 1-wire protocol single interface pin | I/O | H25, J25 |

4.3.10 UART

NOTE

For more information about UART booting, see the Initialization / Device Initialization by ROM Code / Peripheral Booting / Initialization Phase for UART Boot section of the Device TRM.

Table 4-11. UART Signal Descriptions

| SIGNAL NAME | DESCRIPTION | TYPE | BALL |
|---|---|------|-------------------|
| Universal Asynchronous Receiver/Transmitter 1 (UART1) | | | |
| uart1_dcdn | UART1 Data Carrier Detect active low | I | N23 |
| uart1_dsrn | UART1 Data Set Ready Active Low | I | N25 |
| uart1_dtrn | UART1 Data Terminal Ready Active Low | O | N22 |
| uart1_rin | UART1 Ring Indicator | I | N24 |
| uart1_rxd | UART1 Receive Data | I | L25 |
| uart1_txd | UART1 Transmit Data | O | M25 |
| uart1_ctsn | UART1 clear to send active low | I | L20 |
| uart1_rtsn | UART1 request to send active low | O | M24 |
| Universal Asynchronous Receiver/Transmitter 2 (UART2) | | | |
| uart2_rxd | UART2 Receive Data | I | N23 |
| uart2_txd | UART2 Transmit Data | O | N25 |
| uart2_ctsn | UART2 clear to send active low | I | N22 |
| uart2_rtsn | UART2 request to send active low | O | N24 |
| Universal Asynchronous Receiver/Transmitter 3 (UART3)/IrDA | | | |
| uart3_rxd | UART3 Receive Data | I | AA5, G25, N22, N5 |
| uart3_txd | UART3 Transmit Data | O | AC4, F25, N24, N6 |
| uart3_ctsn | UART3 clear to send active low | I | G24, L6, N23, T4 |
| uart3_rtsn | UART3 request to send active low | O | F24, L5, N25, T5 |
| uart3_rctx | Remote control data | O | N23 |
| uart3_sd | Infrared transceiver configure/shutdown | O | N25 |
| uart3_irtx | Infrared data output | O | N24 |
| Universal Asynchronous Receiver/Transmitter 4 (UART4) | | | |
| uart4_rxd | UART4 Receive Data | I | A24, E24, P4 |
| uart4_txd | UART4 Transmit Data | O | D23, E25, P3 |
| uart4_ctsn | UART4 clear to send active low | I | R2 |
| uart4_rtsn | UART4 request to send active low | O | R1 |
| Universal Asynchronous Receiver/Transmitter 5 (UART5) | | | |
| uart5_rxd | UART5 Receive Data | I | B22, G24, M1, Y4 |

Table 4-11. UART Signal Descriptions (continued)

| SIGNAL NAME | DESCRIPTION | TYPE | BALL |
|--|-----------------------------------|------|-------------------|
| uart5_txd | UART5 Transmit Data | O | AA2, B23, F24, M2 |
| uart5_ctsn | UART5 clear to send active low | I | AA3, L2 |
| uart5_rtsn | UART5 request to send active low | O | L1, W2 |
| Universal Asynchronous Receiver/Transmitter 6 (UART6) | | | |
| uart6_rxd | UART6 Receive Data | I | D14, K3, U5 |
| uart6_txd | UART6 Transmit Data | O | B14, K2, V5 |
| uart6_ctsn | UART6 clear to send active low | I | C14, J1 |
| uart6_rtsn | UART6 request to send active low | O | B15, K1 |
| Universal Asynchronous Receiver/Transmitter 7 (UART7) | | | |
| uart7_rxd | UART7 Receive Data | I | A22, L2 |
| uart7_txd | UART7 Transmit Data | O | A23, L1 |
| uart7_ctsn | UART7 clear to send active low | I | B22 |
| uart7_rtsn | UART7 request to send active low | O | B23 |
| Universal Asynchronous Receiver/Transmitter 8 (UART8) | | | |
| uart8_rxd | UART8 Receive Data | I | C23, H22, J1 |
| uart8_txd | UART8 Transmit Data | O | B25, H23, K1 |
| uart8_ctsn | UART8 clear to send active low | I | A24 |
| uart8_rtsn | UART8 request to send active low | O | D23 |
| Universal Asynchronous Receiver/Transmitter 9 (UART9) | | | |
| uart9_rxd | UART9 Receive Data | I | AC3, E8, L20 |
| uart9_txd | UART9 Transmit Data | O | B8, M24, U6 |
| uart9_ctsn | UART9 clear to send active low | I | AA5, C8 |
| uart9_rtsn | UART9 request to send active low | O | AC4, B9 |
| Universal Asynchronous Receiver/Transmitter 10 (UART10) | | | |
| uart10_rxd | UART10 Receive Data | I | A7, H21, N22, Y3 |
| uart10_txd | UART10 Transmit Data | O | A9, AA1, K22, N24 |
| uart10_ctsn | UART10 clear to send active low | I | A8, AA4 |
| uart10_rtsn | UART10 request to send active low | O | A11, AB1 |

4.3.11 McSPI

NOTE

For more information, see the Serial Communication Interface / Multichannel Serial Peripheral Interface (McSPI) section of the Device TRM.

Table 4-12. SPI Signal Descriptions

| SIGNAL NAME | DESCRIPTION | TYPE | BALL |
|--------------------------------------|--|------|------|
| Serial Peripheral Interface 1 | | | |
| spi1_sclk ⁽¹⁾ | SPI1 Clock | IO | C24 |
| spi1_d1 | SPI1 Data. Can be configured as either MISO or MOSI. | IO | D24 |
| spi1_d0 | SPI1 Data. Can be configured as either MISO or MOSI. | IO | D25 |
| spi1_cs0 | SPI1 Chip Select | IO | B24 |
| spi1_cs1 | SPI1 Chip Select | IO | C25 |
| spi1_cs2 | SPI1 Chip Select | IO | E24 |
| spi1_cs3 | SPI1 Chip Select | IO | E25 |
| Serial Peripheral Interface 2 | | | |
| spi2_sclk ⁽¹⁾ | SPI2 Clock | IO | G25 |

Table 4-12. SPI Signal Descriptions (continued)

| SIGNAL NAME | DESCRIPTION | TYPE | BALL |
|--------------------------------------|--|------|----------------------|
| spi2_d1 | SPI2 Data. Can be configured as either MISO or MOSI. | IO | F25 |
| spi2_d0 | SPI2 Data. Can be configured as either MISO or MOSI. | IO | G24 |
| spi2_cs0 | SPI2 Chip Select | IO | F24 |
| spi2_cs1 | SPI2 Chip Select | IO | C25 |
| spi2_cs2 | SPI2 Chip Select | IO | E24 |
| spi2_cs3 | SPI2 Chip Select | IO | E25 |
| Serial Peripheral Interface 3 | | | |
| spi3_sclk ⁽¹⁾ | SPI3 Clock | IO | A18, C23, N5, Y1 |
| spi3_d1 | SPI3 Data. Can be configured as either MISO or MOSI. | IO | B17, B25, N6, Y4 |
| spi3_d0 | SPI3 Data. Can be configured as either MISO or MOSI. | IO | A24, AA2, B16, T4 |
| spi3_cs0 | SPI3 Chip Select | IO | AA3, B18, D23, T5 |
| spi3_cs1 | SPI3 Chip Select | IO | A19, W2 |
| Serial Peripheral Interface 4 | | | |
| spi4_sclk ⁽¹⁾ | SPI4 Clock | IO | AC3, E8, K4, P4, Y3 |
| spi4_d1 | SPI4 Data. Can be configured as either MISO or MOSI. | IO | AA1, B8, H1, P3, U6 |
| spi4_d0 | SPI4 Data. Can be configured as either MISO or MOSI. | IO | AA4, AA5, C8, J2, R2 |
| spi4_cs0 | SPI4 Chip Select | IO | AB1, AC4, B9, L3, R1 |
| spi4_cs1 | SPI4 Chip Select | IO | G1, N6 |
| spi4_cs2 | SPI4 Chip Select | IO | H3, T4 |
| spi4_cs3 | SPI4 Chip Select | IO | H4, T5 |

(1) This clock signal is implemented as 'pad loopback' inside the device - the output signal is looped back through the input buffer to serve as the internal reference signal. Series termination is recommended (as close to device pin as possible) to improve signal integrity of the clock input. Any nonmonotonicity in voltage that occurs at the pad loopback clock pin between V_{IH} and V_{IL} must be less than V_{HYS} .

4.3.12 QSPI

NOTE

For more information about UART booting, see the Initialization / Device Initialization by ROM Code / Memory Booting / SPI/QSPI Flash Devices section of the Device TRM.

Table 4-13. QSPI Signal Descriptions

| SIGNAL NAME | DESCRIPTION | TYPE | BALL |
|-------------|---|------|------|
| qspi1_sclk | QSPI1 Serial Clock | IO | F2 |
| qspi1_rtclk | QSPI1 Return Clock Input. Must be connected from QSPI1_SCLK on PCB. Refer to PCB Guidelines for QSPI1 | I | H3 |
| qspi1_d0 | QSPI1 Data[0]. This pin is output data for all commands/writes and for dual read and quad read modes it becomes input data pin during read phase. | IO | K5 |
| qspi1_d1 | QSPI1 Data[1]. Input read data in all modes. | IO | G2 |
| qspi1_d2 | QSPI1 Data[2]. This pin is used only in quad read mode as input data pin during read phase | IO | K6 |
| qspi1_d3 | QSPI1 Data[3]. This pin is used only in quad read mode as input data pin during read phase | IO | H4 |
| qspi1_cs0 | QSPI1 Chip Select[0]. This pin is Used for QSPI1 boot modes. | IO | G4 |
| qspi1_cs1 | QSPI1 Chip Select[1] | O | G3 |
| qspi1_cs2 | QSPI1 Chip Select[2] | O | L1 |
| qspi1_cs3 | QSPI1 Chip Select[3] | O | K3 |

4.3.13 McASP

NOTE

For more information, see the Serial Communication Interface / Multichannel Audio Serial Port (McASP) section of the Device TRM.

Table 4-14. MCASP Signal Descriptions

| SIGNAL NAME | DESCRIPTION | TYPE | BALL |
|---|---|------|----------|
| Multichannel Audio Serial Port 1 | | | |
| mcasp1_axr0 | McASP1 Transmit/Receive Data | IO | D14 |
| mcasp1_axr1 | McASP1 Transmit/Receive Data | IO | B14 |
| mcasp1_axr2 | McASP1 Transmit/Receive Data | IO | C14 |
| mcasp1_axr3 | McASP1 Transmit/Receive Data | IO | B15 |
| mcasp1_axr4 | McASP1 Transmit/Receive Data | IO | A15, J25 |
| mcasp1_axr5 | McASP1 Transmit/Receive Data | IO | A14, J24 |
| mcasp1_axr6 | McASP1 Transmit/Receive Data | IO | A17, H24 |
| mcasp1_axr7 | McASP1 Transmit/Receive Data | IO | A16, H25 |
| mcasp1_axr8 | McASP1 Transmit/Receive Data | IO | A18, H21 |
| mcasp1_axr9 | McASP1 Transmit/Receive Data | IO | B17, K22 |
| mcasp1_axr10 | McASP1 Transmit/Receive Data | IO | B16, K23 |
| mcasp1_axr11 | McASP1 Transmit/Receive Data | IO | B18 |
| mcasp1_axr12 | McASP1 Transmit/Receive Data | IO | A19 |
| mcasp1_axr13 | McASP1 Transmit/Receive Data | IO | E17 |
| mcasp1_axr14 | McASP1 Transmit/Receive Data | IO | E16 |
| mcasp1_axr15 | McASP1 Transmit/Receive Data | IO | F16 |
| mcasp1_fsx | McASP1 Transmit Frame Sync | IO | C17 |
| mcasp1_aclkr ⁽¹⁾ | McASP1 Receive Bit Clock | IO | D16 |
| mcasp1_fsr | McASP1 Receive Frame Sync | IO | D17 |
| mcasp1_ahclkx | McASP1 Transmit High-Frequency Master Clock | O | J25 |
| mcasp1_aclkx ⁽¹⁾ | McASP1 Transmit Bit Clock | IO | C16 |
| Multichannel Audio Serial Port 2 | | | |
| mcasp2_axr0 | McASP2 Transmit/Receive Data | IO | A20 |
| mcasp2_axr1 | McASP2 Transmit/Receive Data | IO | B19 |
| mcasp2_axr2 | McASP2 Transmit/Receive Data | IO | A21 |
| mcasp2_axr3 | McASP2 Transmit/Receive Data | IO | B21 |
| mcasp2_axr4 | McASP2 Transmit/Receive Data | IO | B20 |
| mcasp2_axr5 | McASP2 Transmit/Receive Data | IO | C19 |
| mcasp2_axr6 | McASP2 Transmit/Receive Data | IO | D20 |
| mcasp2_axr7 | McASP2 Transmit/Receive Data | IO | C20 |
| mcasp2_axr8 | McASP2 Transmit/Receive Data | IO | J25 |
| mcasp2_axr9 | McASP2 Transmit/Receive Data | IO | J24 |
| mcasp2_axr10 | McASP2 Transmit/Receive Data | IO | H24 |
| mcasp2_axr11 | McASP2 Transmit/Receive Data | IO | H25 |
| mcasp2_axr12 | McASP2 Transmit/Receive Data | IO | A22 |
| mcasp2_axr13 | McASP2 Transmit/Receive Data | IO | A23 |
| mcasp2_axr14 | McASP2 Transmit/Receive Data | IO | B22 |
| mcasp2_axr15 | McASP2 Transmit/Receive Data | IO | B23 |
| mcasp2_fsx | McASP2 Transmit Frame Sync | IO | D19 |
| mcasp2_ahclkx | McASP2 Transmit High-Frequency Master Clock | O | J24 |

Table 4-14. MCASP Signal Descriptions (continued)

| SIGNAL NAME | DESCRIPTION | TYPE | BALL |
|---|---|------|------|
| mcasp2_aclkx ⁽¹⁾ | McASP2 Transmit Bit Clock | IO | E19 |
| Multichannel Audio Serial Port 3 | | | |
| mcasp3_axr0 | McASP3 Transmit/Receive Data | IO | B22 |
| mcasp3_axr1 | McASP3 Transmit/Receive Data | IO | B23 |
| mcasp3_axr2 | McASP3 Transmit/Receive Data | IO | A21 |
| mcasp3_axr3 | McASP3 Transmit/Receive Data | IO | B21 |
| mcasp3_fsx | McASP3 Transmit Frame Sync | IO | A23 |
| mcasp3_ahclkx | McASP3 Transmit High-Frequency Master Clock | O | H24 |
| mcasp3_aclkx ⁽¹⁾ | McASP3 Transmit Bit Clock | IO | A22 |
| mcasp3_aclkr ⁽¹⁾ | McASP3 Receive Bit Clock | IO | A22 |
| mcasp3_fsr | McASP3 Receive Frame Sync | IO | A23 |
| Multichannel Audio Serial Port 4 | | | |
| mcasp4_axr0 | McASP4 Transmit/Receive Data | IO | A24 |
| mcasp4_axr1 | McASP4 Transmit/Receive Data | IO | D23 |
| mcasp4_axr2 | McASP4 Transmit/Receive Data | IO | A15 |
| mcasp4_axr3 | McASP4 Transmit/Receive Data | IO | A14 |
| mcasp4_fsx | McASP4 Transmit Frame Sync | IO | B25 |
| mcasp4_ahclkx | McASP4 Transmit High-Frequency Master Clock | O | H25 |
| mcasp4_aclkx ⁽¹⁾ | McASP4 Transmit Bit Clock | IO | C23 |
| mcasp4_aclkr ⁽¹⁾ | McASP4 Receive Bit Clock | IO | C23 |
| mcasp4_fsr | McASP4 Receive Frame Sync | IO | B25 |
| Multichannel Audio Serial Port 5 | | | |
| mcasp5_axr0 | McASP5 Transmit/Receive Data | IO | AA5 |
| mcasp5_axr1 | McASP5 Transmit/Receive Data | IO | AC4 |
| mcasp5_axr2 | McASP5 Transmit/Receive Data | IO | A17 |
| mcasp5_axr3 | McASP5 Transmit/Receive Data | IO | A16 |
| mcasp5_fsx | McASP5 Transmit Frame Sync | IO | U6 |
| mcasp5_ahclkx | McASP5 Transmit High-Frequency Master Clock | O | J25 |
| mcasp5_aclkx ⁽¹⁾ | McASP5 Transmit Bit Clock | IO | AC3 |
| mcasp5_aclkr ⁽¹⁾ | McASP5 Receive Bit Clock | IO | AC3 |
| mcasp5_fsr | McASP5 Receive Frame Sync | IO | U6 |
| Multichannel Audio Serial Port 6 | | | |
| mcasp6_axr0 | McASP6 Transmit/Receive Data | IO | A18 |
| mcasp6_axr1 | McASP6 Transmit/Receive Data | IO | B17 |
| mcasp6_axr2 | McASP6 Transmit/Receive Data | IO | C14 |
| mcasp6_axr3 | McASP6 Transmit/Receive Data | IO | B15 |
| mcasp6_ahclkx | McASP6 Transmit High-Frequency Master Clock | O | J24 |
| mcasp6_aclkx ⁽¹⁾ | McASP6 Transmit Bit Clock | IO | B16 |
| mcasp6_fsx | McASP6 Transmit Frame Sync | IO | B18 |
| mcasp6_aclkr ⁽¹⁾ | McASP6 Receive Bit Clock | IO | B16 |
| mcasp6_fsr | McASP6 Receive Frame Sync | IO | B18 |
| Multichannel Audio Serial Port 7 | | | |
| mcasp7_aclkr ⁽¹⁾ | McASP7 Receive Bit Clock | IO | E16 |
| mcasp7_aclkx ⁽¹⁾ | McASP7 Transmit Bit Clock | IO | E16 |
| mcasp7_ahclkx | McASP7 Transmit High-Frequency Master Clock | O | H24 |
| mcasp7_axr0 | McASP7 Transmit/Receive Data | IO | A19 |
| mcasp7_axr1 | McASP7 Transmit/Receive Data | IO | E17 |

Table 4-14. MCASP Signal Descriptions (continued)

| SIGNAL NAME | DESCRIPTION | TYPE | BALL |
|---|---|------|------|
| mcasp7_axr2 | McASP7 Transmit/Receive Data | IO | D16 |
| mcasp7_axr3 | McASP7 Transmit/Receive Data | IO | D17 |
| mcasp7_fsr | McASP7 Receive Frame Sync | IO | F16 |
| mcasp7_fsx | McASP7 Transmit Frame Sync | IO | F16 |
| Multichannel Audio Serial Port 8 | | | |
| mcasp8_aclkr ⁽¹⁾ | McASP8 Receive Bit Clock | IO | D20 |
| mcasp8_aclkx ⁽¹⁾ | McASP8 Transmit Bit Clock | IO | D20 |
| mcasp8_ahclkx | McASP8 Transmit High-Frequency Master Clock | O | H25 |
| mcasp8_axr0 | McASP8 Transmit/Receive Data | IO | B20 |
| mcasp8_axr1 | McASP8 Transmit/Receive Data | IO | C19 |
| mcasp8_fsr | McASP8 Receive Frame Sync | IO | C20 |
| mcasp8_fsx | McASP8 Transmit Frame Sync | IO | C20 |

(1) This clock signal is implemented as 'pad loopback' inside the device - the output signal is looped back through the input buffer to serve as the internal reference signal. Series termination is recommended (as close to device pin as possible) to improve signal integrity of the clock input. Any nonmonotonicity in voltage that occurs at the pad loopback clock pin between V_{IH} and V_{IL} must be less than V_{HYS} .

4.3.14 USB

NOTE

For more information, see: Serial Communication Interface / SuperSpeed USB DRD Subsystem section of the Device TRM.

Table 4-15. Universal Serial Bus Signal Descriptions

| SIGNAL NAME | DESCRIPTION | TYPE | BALL |
|-------------------------------|---|-------|------|
| Universal Serial Bus 1 | | | |
| usb1_dm | USB1 USB2.0 differential signal pair (negative) | IODES | AB7 |
| usb1_dp | USB1 USB2.0 differential signal pair (positive) | IODES | AC6 |
| usb1_drvvbus | USB1 Drive VBUS signal | O | AD3 |
| usb_rxn0 ⁽¹⁾ | USB1 USB3.0 receiver negative lane | IDS | AE5 |
| usb_rxp0 ⁽¹⁾ | USB1 USB3.0 receiver positive lane | IDS | AD6 |
| usb_txn0 ⁽¹⁾ | USB1 USB3.0 transmitter negative lane | ODS | AE3 |
| usb_txp0 ⁽¹⁾ | USB1 USB3.0 transmitter positive lane | ODS | AD4 |
| Universal Serial Bus 2 | | | |
| usb2_dm | USB2 USB2.0 differential signal pair (negative) | IO | AC5 |
| usb2_dp | USB2 USB2.0 differential signal pair (positive) | IO | AB6 |
| usb2_drvvbus | USB2 Drive VBUS signal | O | AA6 |

(1) Signals are enabled by selecting the correct field in the PCIE_B1C0_MODE_SEL register. There are no CTRL_CORE_PAD* register involved.

4.3.15 PCIe

NOTE

For more information, see the *Serial Communication Interfaces / PCIe Controllers* and the *Shared PHY Component Subsystems / PCIe Shared PHY Subsystem* sections of the Device TRM.

Table 4-16. PCIe Signal Descriptions

| SIGNAL NAME | DESCRIPTION | TYPE | BALL |
|-------------|--|------|------|
| pcie_rxn0 | PCle1_PHY_RX Receive Data Lane 0 (negative) - mapped to PCle_SS1 only. | IDS | AE6 |
| pcie_rxp0 | PCle1_PHY_RX Receive Data Lane 0 (positive) - mapped to PCle_SS1 only. | IDS | AD7 |
| pcie_txn0 | PCle1_PHY_TX Transmit Data Lane 0 (negative) - mapped to PCle_SS1 only. | ODS | AE8 |
| pcie_txp0 | PCle1_PHY_TX Transmit Data Lane 0 (positive) - mapped to PCle_SS1 only. | ODS | AD9 |
| pcie_rxn1 | PCle2_PHY_RX Receive Data Lane 1 (negative) - mapped to either PCle_SS1 (dual lane- mode) or PCle_SS2 (single lane- mode) | IDS | AE5 |
| pcie_rxp1 | PCle2_PHY_RX Receive Data Lane 1 (positive) - mapped to either PCle_SS1 (dual lane- mode) or PCle_SS2 (single lane- mode) | IDS | AD6 |
| pcie_txn1 | PCle2_PHY_TX Transmit Data Lane 1 (negative) - mapped to either PCle_SS1 (dual lane- mode) or PCle_SS2 (single lane- mode) | ODS | AE3 |
| pcie_txp1 | PCle2_PHY_TX Transmit Data Lane 1 (positive) - mapped to either PCle_SS1 (dual lane- mode) or PCle_SS2 (single lane- mode) | ODS | AD4 |
| ljcb_clkn | PCle1_PHY shared Reference Clock Input / Output Differential Pair (negative) | IODS | AB9 |
| ljcb_clkp | PCle1_PHY shared Reference Clock Input / Output Differential Pair (positive) | IODS | AC8 |

4.3.16 DCAN**NOTE**

For more information, see the Serial Communication Interface / DCAN section of the Device TRM.

Table 4-17. DCAN Signal Descriptions

| SIGNAL NAME | DESCRIPTION | TYPE | BALL |
|---------------|-------------------------|------|----------------|
| DCAN 1 | | | |
| dcan1_rx | DCAN1 receive data pin | IO | H23, AC10 |
| dcan1_tx | DCAN1 transmit data pin | IO | H22 |
| DCAN 2 | | | |
| dcan2_rx | DCAN2 receive data pin | IO | E25, K22, AB10 |
| dcan2_tx | DCAN2 transmit data pin | IO | E24, H21 |

4.3.17 GMAC_SW**NOTE**

For more information, see the Serial Communication Interfaces / Ethernet Controller section of the Device TRM.

Table 4-18. GMAC Signal Descriptions

| SIGNAL NAME | DESCRIPTION | TYPE | BALL |
|--------------|------------------------|------|------|
| rgmii0_rxc | RGMIIO Receive Clock | I | N2 |
| rgmii0_rxctl | RGMIIO Receive Control | I | P2 |
| rgmii0_rxd0 | RGMIIO Receive Data | I | N4 |
| rgmii0_rxd1 | RGMIIO Receive Data | I | N3 |
| rgmii0_rxd2 | RGMIIO Receive Data | I | P1 |
| rgmii0_rxd3 | RGMIIO Receive Data | I | N1 |
| rgmii0_txc | RGMIIO Transmit Clock | O | T4 |
| rgmii0_txctl | RGMIIO Transmit Enable | O | T5 |
| rgmii0_txd0 | RGMIIO Transmit Data | O | R1 |

Table 4-18. GMAC Signal Descriptions (continued)

| SIGNAL NAME | DESCRIPTION | TYPE | BALL |
|--------------|-------------------------------|------|------|
| rgmii0_txd1 | RGMIIO Transmit Data | O | R2 |
| rgmii0_txd2 | RGMIIO Transmit Data | O | P3 |
| rgmii0_txd3 | RGMIIO Transmit Data | O | P4 |
| rgmii1_rxc | RGMIIO Receive Clock | I | E11 |
| rgmii1_rxctl | RGMIIO Receive Control | I | F11 |
| rgmii1_rxd0 | RGMIIO Receive Data | I | D13 |
| rgmii1_rxd1 | RGMIIO Receive Data | I | C13 |
| rgmii1_rxd2 | RGMIIO Receive Data | I | E13 |
| rgmii1_rxd3 | RGMIIO Receive Data | I | B13 |
| rgmii1_txc | RGMIIO Transmit Clock | O | B11 |
| rgmii1_txctl | RGMIIO Transmit Enable | O | D11 |
| rgmii1_txd0 | RGMIIO Transmit Data | O | A13 |
| rgmii1_txd1 | RGMIIO Transmit Data | O | A12 |
| rgmii1_txd2 | RGMIIO Transmit Data | O | B12 |
| rgmii1_txd3 | RGMIIO Transmit Data | O | C11 |
| mii1_col | MII1 Collision Detect (Sense) | I | E13 |
| mii1_crs | MII1 Carrier Sense | I | C13 |
| mii1_rxclk | MII1 Receive Clock | I | B11 |
| mii1_rxd0 | MII1 Receive Data | I | E10 |
| mii1_rxd1 | MII1 Receive Data | I | F10 |
| mii1_rxd2 | MII1 Receive Data | I | A10 |
| mii1_rxd3 | MII1 Receive Data | I | B10 |
| mii1_rxdv | MII1 Receive Data Valid | I | D11 |
| mii1_rxer | MII1 Receive Data Error | I | B13 |
| mii1_txclk | MII1 Transmit Clock | I | C11 |
| mii1_txd0 | MII1 Transmit Data | O | B12 |
| mii1_txd1 | MII1 Transmit Data | O | A12 |
| mii1_txd2 | MII1 Transmit Data | O | A13 |
| mii1_txd3 | MII1 Transmit Data | O | E11 |
| mii1_txen | MII1 Transmit Data Enable | O | D13 |
| mii1_txer | MII1 Transmit Error | O | F11 |
| mii0_col | MII0 Collision Detect (Sense) | I | L5 |
| mii0_crs | MII0 Carrier Sense | I | P4 |
| mii0_rxclk | MII0 Receive Clock | I | N6 |
| mii0_rxd0 | MII0 Receive Data | I | R1 |
| mii0_rxd1 | MII0 Receive Data | I | R2 |
| mii0_rxd2 | MII0 Receive Data | I | T5 |
| mii0_rxd3 | MII0 Receive Data | I | T4 |
| mii0_rxdv | MII0 Receive Data Valid | I | N5 |
| mii0_rxer | MII0 Receive Data Error | I | P3 |
| mii0_txclk | MII0 Transmit Clock | I | N2 |
| mii0_txd0 | MII0 Transmit Data | O | N4 |
| mii0_txd1 | MII0 Transmit Data | O | N3 |
| mii0_txd2 | MII0 Transmit Data | O | N1 |
| mii0_txd3 | MII0 Transmit Data | O | P2 |
| mii0_txen | MII0 Transmit Data Enable | O | P1 |
| mii0_txer | MII0 Transmit Error | O | L6 |

Table 4-18. GMAC Signal Descriptions (continued)

| SIGNAL NAME | DESCRIPTION | TYPE | BALL |
|-------------|------------------------------|------|------------------|
| rmii1_crs | RMII1 Carrier Sense | I | N5 |
| rmii1_rxd0 | RMII1 Receive Data | I | T5 |
| rmii1_rxd1 | RMII1 Receive Data | I | T4 |
| rmii1_rxer | RMII1 Receive Data Error | I | N6 |
| rmii1_txd0 | RMII1 Transmit Data | O | N1 |
| rmii1_txd1 | RMII1 Transmit Data | O | P2 |
| rmii1_txen | RMII1 Transmit Data Enable | O | N2 |
| rmii0_crs | RMII0 Carrier Sense | I | P4 |
| rmii0_rxd0 | RMII0 Receive Data | I | R1 |
| rmii0_rxd1 | RMII0 Receive Data | I | R2 |
| rmii0_rxer | RMII0 Receive Data Error | I | P3 |
| rmii0_txd0 | RMII0 Transmit Data | O | N4 |
| rmii0_txd1 | RMII0 Transmit Data | O | N3 |
| rmii0_txen | RMII0 Transmit Data Enable | O | P1 |
| mdio_mclk | Management Data Serial Clock | O | D10, E24, L5, Y5 |
| mdio_d | Management Data | IO | C10, E25, L6, Y6 |

4.3.18 MLB**NOTE**

Media Local Bus (MLB) is not available on this device, and must be left unconnected.

Table 4-19. MLB Signal Descriptions

| SIGNAL NAME | DESCRIPTION | TYPE | BALL |
|-------------|---|------|------|
| mlbp_clk_n | Media Local Bus (MLB) Subsystem clock differential pair (negative) | IDS | U1 |
| mlbp_clk_p | Media Local Bus (MLB) Subsystem clock differential pair (positive) | IDS | U2 |
| mlbp_dat_n | Media Local Bus (MLB) Subsystem data differential pair (negative) | IODS | T1 |
| mlbp_dat_p | Media Local Bus (MLB) Subsystem data differential pair (positive) | IODS | T2 |
| mlbp_sig_n | Media Local Bus (MLB) Subsystem signal differential pair (negative) | IODS | U4 |
| mlbp_sig_p | Media Local Bus (MLB) Subsystem signal differential pair (positive) | IODS | T3 |

4.3.19 eMMC/SD/SDIO**NOTE**

For more information, see the HS MMC/SDIO section of the Device TRM.

Table 4-20. eMMC/SD/SDIO Signal Descriptions

| SIGNAL NAME | DESCRIPTION | TYPE | BALL |
|---------------------------|------------------|------|------|
| Multi Media Card 1 | | | |
| mmc1_clk ⁽¹⁾ | MMC1 clock | IO | U3 |
| mmc1_cmd | MMC1 command | IO | V4 |
| mmc1_dat0 | MMC1 data bit 0 | IO | V3 |
| mmc1_dat1 | MMC1 data bit 1 | IO | V2 |
| mmc1_dat2 | MMC1 data bit 2 | IO | W1 |
| mmc1_dat3 | MMC1 data bit 3 | IO | V1 |
| mmc1_sdcd | MMC1 Card Detect | I | U5 |

Table 4-20. eMMC/SD/SDIO Signal Descriptions (continued)

| SIGNAL NAME | DESCRIPTION | TYPE | BALL |
|---------------------------|--------------------|------|------|
| mmc1_sdwp | MMC1 Write Protect | I | V5 |
| Multi Media Card 2 | | | |
| mmc2_clk ⁽¹⁾ | MMC2 clock | IO | B5 |
| mmc2_cmd | MMC2 command | IO | A6 |
| mmc2_dat0 | MMC2 data bit 0 | IO | D7 |
| mmc2_dat1 | MMC2 data bit 1 | IO | C6 |
| mmc2_dat2 | MMC2 data bit 2 | IO | A5 |
| mmc2_dat3 | MMC2 data bit 3 | IO | B6 |
| mmc2_dat4 | MMC2 data bit 4 | IO | A4 |
| mmc2_dat5 | MMC2 data bit 5 | IO | E7 |
| mmc2_dat6 | MMC2 data bit 6 | IO | D6 |
| mmc2_dat7 | MMC2 data bit 7 | IO | C5 |
| mmc2_sdc | MMC2 Card Detect | I | H22 |
| mmc2_sdwp | MMC2 Write Protect | I | H23 |
| Multi Media Card 3 | | | |
| mmc3_clk ⁽¹⁾ | MMC3 clock | IO | Y2 |
| mmc3_cmd | MMC3 command | IO | Y1 |
| mmc3_dat0 | MMC3 data bit 0 | IO | Y4 |
| mmc3_dat1 | MMC3 data bit 1 | IO | AA2 |
| mmc3_dat2 | MMC3 data bit 2 | IO | AA3 |
| mmc3_dat3 | MMC3 data bit 3 | IO | W2 |
| mmc3_dat4 | MMC3 data bit 4 | IO | Y3 |
| mmc3_dat5 | MMC3 data bit 5 | IO | AA1 |
| mmc3_dat6 | MMC3 data bit 6 | IO | AA4 |
| mmc3_dat7 | MMC3 data bit 7 | IO | AB1 |
| mmc3_sdc | MMC3 Card Detect | I | E24 |
| mmc3_sdwp | MMC3 Write Protect | I | E25 |
| Multi Media Card 4 | | | |
| mmc4_clk ⁽¹⁾ | MMC4 clock | IO | L20 |
| mmc4_cmd | MMC4 command | IO | M24 |
| mmc4_sdc | MMC4 Card Detect | I | L25 |
| mmc4_sdwp | MMC4 Write Protect | I | M25 |
| mmc4_dat0 | MMC4 data bit 0 | IO | N23 |
| mmc4_dat1 | MMC4 data bit 1 | IO | N25 |
| mmc4_dat2 | MMC4 data bit 2 | IO | N22 |
| mmc4_dat3 | MMC4 data bit 3 | IO | N24 |

(1) By default, this clock signal is implemented as 'pad loopback' inside the device - the output signal is looped back through the input buffer to serve as the internal reference signal. mmc1_clk and mmc2_clk have an optional software programmable setting to use an 'internal loopback clock' instead of the default 'pad loopback clock'. If the 'pad loopback clock' is used, series termination is recommended (as close to device pin as possible) to improve signal integrity of the clock input. Any nonmonotonicity in voltage that occurs at the pad loopback clock pin between V_{IH} and V_{IL} must be less than V_{HYS} .

4.3.20 GPIO

NOTE

For more information, see the General-Purpose Interface section of the Device TRM.

Table 4-21. GPIOs Signal Descriptions

| SIGNAL NAME | DESCRIPTION | TYPE | BALL |
|---------------|------------------------------|------|------|
| GPIO 1 | | | |
| gpio1_0 | General-Purpose Input | I | AC10 |
| gpio1_3 | General-Purpose Input | I | AB10 |
| gpio1_4 | General-Purpose Input/Output | IO | B20 |
| gpio1_5 | General-Purpose Input/Output | IO | C20 |
| gpio1_6 | General-Purpose Input/Output | IO | F1 |
| gpio1_7 | General-Purpose Input/Output | IO | E2 |
| gpio1_8 | General-Purpose Input/Output | IO | E1 |
| gpio1_9 | General-Purpose Input/Output | IO | C1 |
| gpio1_10 | General-Purpose Input/Output | IO | D1 |
| gpio1_11 | General-Purpose Input/Output | IO | D2 |
| gpio1_12 | General-Purpose Input/Output | IO | B1 |
| gpio1_13 | General-Purpose Input/Output | IO | B2 |
| gpio1_14 | General-Purpose Input/Output | IO | H22 |
| gpio1_15 | General-Purpose Input/Output | IO | H23 |
| gpio1_16 | General-Purpose Input/Output | IO | N22 |
| gpio1_17 | General-Purpose Input/Output | IO | N24 |
| gpio1_18 | General-Purpose Input/Output | IO | C3 |
| gpio1_19 | General-Purpose Input/Output | IO | C4 |
| gpio1_20 | General-Purpose Input/Output | IO | A3 |
| gpio1_21 | General-Purpose Input/Output | IO | B4 |
| gpio1_22 | General-Purpose Input/Output | IO | Y3 |
| gpio1_23 | General-Purpose Input/Output | IO | AA1 |
| gpio1_24 | General-Purpose Input/Output | IO | AA4 |
| gpio1_25 | General-Purpose Input/Output | IO | AB1 |
| gpio1_26 | General-Purpose Input/Output | IO | K3 |
| gpio1_27 | General-Purpose Input/Output | IO | K2 |
| gpio1_28 | General-Purpose Input/Output | IO | J1 |
| gpio1_29 | General-Purpose Input/Output | IO | K1 |
| gpio1_30 | General-Purpose Input/Output | IO | K4 |
| gpio1_31 | General-Purpose Input/Output | IO | H1 |
| GPIO2 | | | |
| gpio2_0 | General-Purpose Input/Output | IO | J2 |
| gpio2_1 | General-Purpose Input/Output | IO | L3 |
| gpio2_2 | General-Purpose Input/Output | IO | G1 |
| gpio2_3 | General-Purpose Input/Output | IO | H3 |
| gpio2_4 | General-Purpose Input/Output | IO | H4 |
| gpio2_5 | General-Purpose Input/Output | IO | K6 |
| gpio2_6 | General-Purpose Input/Output | IO | K5 |
| gpio2_7 | General-Purpose Input/Output | IO | G2 |
| gpio2_8 | General-Purpose Input/Output | IO | F2 |
| gpio2_9 | General-Purpose Input/Output | IO | A4 |
| gpio2_10 | General-Purpose Input/Output | IO | E7 |
| gpio2_11 | General-Purpose Input/Output | IO | D6 |
| gpio2_12 | General-Purpose Input/Output | IO | C5 |
| gpio2_13 | General-Purpose Input/Output | IO | B5 |
| gpio2_14 | General-Purpose Input/Output | IO | D7 |

Table 4-21. GPIOs Signal Descriptions (continued)

| SIGNAL NAME | DESCRIPTION | TYPE | BALL |
|---------------|------------------------------|------|------|
| gpio2_15 | General-Purpose Input/Output | IO | C6 |
| gpio2_16 | General-Purpose Input/Output | IO | A5 |
| gpio2_17 | General-Purpose Input/Output | IO | B6 |
| gpio2_18 | General-Purpose Input/Output | IO | A6 |
| gpio2_19 | General-Purpose Input/Output | IO | F3 |
| gpio2_20 | General-Purpose Input/Output | IO | G4 |
| gpio2_21 | General-Purpose Input/Output | IO | G3 |
| gpio2_22 | General-Purpose Input/Output | IO | L4 |
| gpio2_23 | General-Purpose Input/Output | IO | H5 |
| gpio2_24 | General-Purpose Input/Output | IO | G5 |
| gpio2_25 | General-Purpose Input/Output | IO | G6 |
| gpio2_26 | General-Purpose Input/Output | IO | H2 |
| gpio2_27 | General-Purpose Input/Output | IO | H6 |
| gpio2_28 | General-Purpose Input/Output | IO | F6 |
| gpio2_29 | General-Purpose Input/Output | IO | D20 |
| GPIO 3 | | | |
| gpio3_28 | General-Purpose Input/Output | IO | D8 |
| gpio3_29 | General-Purpose Input/Output | IO | B7 |
| gpio3_30 | General-Purpose Input/Output | IO | C7 |
| gpio3_31 | General-Purpose Input/Output | IO | E8 |
| GPIO 4 | | | |
| gpio4_0 | General-Purpose Input/Output | IO | B8 |
| gpio4_1 | General-Purpose Input/Output | IO | C8 |
| gpio4_2 | General-Purpose Input/Output | IO | B9 |
| gpio4_3 | General-Purpose Input/Output | IO | A7 |
| gpio4_4 | General-Purpose Input/Output | IO | A9 |
| gpio4_5 | General-Purpose Input/Output | IO | A8 |
| gpio4_6 | General-Purpose Input/Output | IO | A11 |
| gpio4_7 | General-Purpose Input/Output | IO | F10 |
| gpio4_8 | General-Purpose Input/Output | IO | A10 |
| gpio4_9 | General-Purpose Input/Output | IO | B10 |
| gpio4_10 | General-Purpose Input/Output | IO | E10 |
| gpio4_11 | General-Purpose Input/Output | IO | D10 |
| gpio4_12 | General-Purpose Input/Output | IO | C10 |
| gpio4_13 | General-Purpose Input/Output | IO | B11 |
| gpio4_14 | General-Purpose Input/Output | IO | D11 |
| gpio4_15 | General-Purpose Input/Output | IO | C11 |
| gpio4_16 | General-Purpose Input/Output | IO | B12 |
| gpio4_17 | General-Purpose Input/Output | IO | B18 |
| gpio4_18 | General-Purpose Input/Output | IO | A19 |
| gpio4_24 | General-Purpose Input/Output | IO | A12 |
| gpio4_25 | General-Purpose Input/Output | IO | A13 |
| gpio4_26 | General-Purpose Input/Output | IO | E11 |
| gpio4_27 | General-Purpose Input/Output | IO | F11 |
| gpio4_28 | General-Purpose Input/Output | IO | B13 |
| gpio4_29 | General-Purpose Input/Output | IO | E13 |
| gpio4_30 | General-Purpose Input/Output | IO | C13 |

Table 4-21. GPIOs Signal Descriptions (continued)

| SIGNAL NAME | DESCRIPTION | TYPE | BALL |
|---------------|------------------------------|------|------|
| gpio4_31 | General-Purpose Input/Output | IO | D13 |
| GPIO 5 | | | |
| gpio5_0 | General-Purpose Input/Output | IO | D16 |
| gpio5_1 | General-Purpose Input/Output | IO | D17 |
| gpio5_2 | General-Purpose Input/Output | IO | D14 |
| gpio5_3 | General-Purpose Input/Output | IO | B14 |
| gpio5_4 | General-Purpose Input/Output | IO | C14 |
| gpio5_5 | General-Purpose Input/Output | IO | B15 |
| gpio5_6 | General-Purpose Input/Output | IO | A15 |
| gpio5_7 | General-Purpose Input/Output | IO | A14 |
| gpio5_8 | General-Purpose Input/Output | IO | A17 |
| gpio5_9 | General-Purpose Input/Output | IO | A16 |
| gpio5_10 | General-Purpose Input/Output | IO | A18 |
| gpio5_11 | General-Purpose Input/Output | IO | B17 |
| gpio5_12 | General-Purpose Input/Output | IO | B16 |
| gpio5_13 | General-Purpose Input/Output | IO | A22 |
| gpio5_14 | General-Purpose Input/Output | IO | A23 |
| gpio5_15 | General-Purpose Input/Output | IO | L5 |
| gpio5_16 | General-Purpose Input/Output | IO | L6 |
| gpio5_17 | General-Purpose Input/Output | IO | P5 |
| gpio5_18 | General-Purpose Input/Output | IO | N5 |
| gpio5_19 | General-Purpose Input/Output | IO | N6 |
| gpio5_20 | General-Purpose Input/Output | IO | T4 |
| gpio5_21 | General-Purpose Input/Output | IO | T5 |
| gpio5_22 | General-Purpose Input/Output | IO | P4 |
| gpio5_23 | General-Purpose Input/Output | IO | P3 |
| gpio5_24 | General-Purpose Input/Output | IO | R2 |
| gpio5_25 | General-Purpose Input/Output | IO | R1 |
| gpio5_26 | General-Purpose Input/Output | IO | N2 |
| gpio5_27 | General-Purpose Input/Output | IO | P2 |
| gpio5_28 | General-Purpose Input/Output | IO | N1 |
| gpio5_29 | General-Purpose Input/Output | IO | P1 |
| gpio5_30 | General-Purpose Input/Output | IO | N3 |
| gpio5_31 | General-Purpose Input/Output | IO | N4 |
| GPIO 6 | | | |
| gpio6_4 | General-Purpose Input/Output | IO | E17 |
| gpio6_5 | General-Purpose Input/Output | IO | E16 |
| gpio6_6 | General-Purpose Input/Output | IO | F16 |
| gpio6_7 | General-Purpose Input/Output | IO | C19 |
| gpio6_8 | General-Purpose Input/Output | IO | A21 |
| gpio6_9 | General-Purpose Input/Output | IO | B21 |
| gpio6_10 | General-Purpose Input/Output | IO | Y5 |
| gpio6_11 | General-Purpose Input/Output | IO | Y6 |
| gpio6_12 | General-Purpose Input/Output | IO | AD3 |
| gpio6_13 | General-Purpose Input/Output | IO | AA6 |
| gpio6_14 | General-Purpose Input/Output | IO | H21 |
| gpio6_15 | General-Purpose Input/Output | IO | K22 |

Table 4-21. GPIOs Signal Descriptions (continued)

| SIGNAL NAME | DESCRIPTION | TYPE | BALL |
|---------------|------------------------------|------|------|
| gpio6_16 | General-Purpose Input/Output | IO | K23 |
| gpio6_17 | General-Purpose Input/Output | IO | J25 |
| gpio6_18 | General-Purpose Input/Output | IO | J24 |
| gpio6_19 | General-Purpose Input/Output | IO | H24 |
| gpio6_20 | General-Purpose Input/Output | IO | H25 |
| gpio6_21 | General-Purpose Input/Output | IO | U3 |
| gpio6_22 | General-Purpose Input/Output | IO | V4 |
| gpio6_23 | General-Purpose Input/Output | IO | V3 |
| gpio6_24 | General-Purpose Input/Output | IO | V2 |
| gpio6_25 | General-Purpose Input/Output | IO | W1 |
| gpio6_26 | General-Purpose Input/Output | IO | V1 |
| gpio6_27 | General-Purpose Input/Output | IO | U5 |
| gpio6_28 | General-Purpose Input/Output | IO | V5 |
| gpio6_29 | General-Purpose Input/Output | IO | Y2 |
| gpio6_30 | General-Purpose Input/Output | IO | Y1 |
| gpio6_31 | General-Purpose Input/Output | IO | Y4 |
| GPIO 7 | | | |
| gpio7_0 | General-Purpose Input/Output | IO | AA2 |
| gpio7_1 | General-Purpose Input/Output | IO | AA3 |
| gpio7_2 | General-Purpose Input/Output | IO | W2 |
| gpio7_3 | General-Purpose Input/Output | IO | M1 |
| gpio7_4 | General-Purpose Input/Output | IO | M2 |
| gpio7_5 | General-Purpose Input/Output | IO | L2 |
| gpio7_6 | General-Purpose Input/Output | IO | L1 |
| gpio7_7 | General-Purpose Input/Output | IO | C24 |
| gpio7_8 | General-Purpose Input/Output | IO | D24 |
| gpio7_9 | General-Purpose Input/Output | IO | D25 |
| gpio7_10 | General-Purpose Input/Output | IO | B24 |
| gpio7_11 | General-Purpose Input/Output | IO | C25 |
| gpio7_12 | General-Purpose Input/Output | IO | E24 |
| gpio7_13 | General-Purpose Input/Output | IO | E25 |
| gpio7_14 | General-Purpose Input/Output | IO | G25 |
| gpio7_15 | General-Purpose Input/Output | IO | F25 |
| gpio7_16 | General-Purpose Input/Output | IO | G24 |
| gpio7_17 | General-Purpose Input/Output | IO | F24 |
| gpio7_18 | General-Purpose Input/Output | IO | C2 |
| gpio7_19 | General-Purpose Input/Output | IO | D3 |
| gpio7_22 | General-Purpose Input/Output | IO | L25 |
| gpio7_23 | General-Purpose Input/Output | IO | M25 |
| gpio7_24 | General-Purpose Input/Output | IO | L20 |
| gpio7_25 | General-Purpose Input/Output | IO | M24 |
| gpio7_26 | General-Purpose Input/Output | IO | N23 |
| gpio7_27 | General-Purpose Input/Output | IO | N25 |
| gpio7_28 | General-Purpose Input/Output | IO | A2 |
| gpio7_29 | General-Purpose Input/Output | IO | B3 |
| gpio7_30 | General-Purpose Input/Output | IO | C17 |
| gpio7_31 | General-Purpose Input/Output | IO | C16 |

Table 4-21. GPIOs Signal Descriptions (continued)

| SIGNAL NAME | DESCRIPTION | TYPE | BALL |
|-------------------------|------------------------------|------|------|
| GPIO 8 | | | |
| gpio8_27 | General-Purpose Input | I | L23 |
| gpio8_28 | General-Purpose Input/Output | IO | J20 |
| gpio8_29 | General-Purpose Input/Output | IO | K25 |
| gpio8_30 ⁽¹⁾ | General-Purpose Input/Output | IO | C21 |
| gpio8_31 ⁽¹⁾ | General-Purpose Input/Output | IO | C22 |

(1) gpio8_30 is multiplexed with EMU0 and gpio8_31 is multiplexed with EMU1. These pins will be sampled at reset release by the test and emulation logic. Therefore, if they are used as GPIO pins, they must return to the high state whenever the device enters reset. This can be controlled by logic driven from rstoutn. After the device exits reset (indicated by rstoutn rising), these can return to GPIO mode.

4.3.21 KBD

NOTE

For more information, see Keyboard Controller section of the Device TRM.

Table 4-22. Keyboard Signal Descriptions

| SIGNAL NAME | DESCRIPTION | TYPE | BALL |
|-------------|-----------------|------|------|
| kbd_row0 | Keypad row 0 | I | D8 |
| kbd_row1 | Keypad row 1 | I | B7 |
| kbd_row2 | Keypad row 2 | I | E8 |
| kbd_row3 | Keypad row 3 | I | B8 |
| kbd_row4 | Keypad row 4 | I | C8 |
| kbd_row5 | Keypad row 5 | I | B9 |
| kbd_row6 | Keypad row 6 | I | A7 |
| kbd_row7 | Keypad row 7 | I | C10 |
| kbd_row8 | Keypad row 8 | I | D11 |
| kbd_col0 | Keypad column 0 | O | A9 |
| kbd_col1 | Keypad column 1 | O | A8 |
| kbd_col2 | Keypad column 2 | O | A11 |
| kbd_col3 | Keypad column 3 | O | F10 |
| kbd_col4 | Keypad column 4 | O | A10 |
| kbd_col5 | Keypad column 5 | O | B10 |
| kbd_col6 | Keypad column 6 | O | E10 |
| kbd_col7 | Keypad column 7 | O | D10 |
| kbd_col8 | Keypad column 8 | O | B11 |

4.3.22 PWM

NOTE

For more information, see the Pulse-Width Modulation (PWM) SS section of the Device TRM.

Table 4-23. PWM Signal Descriptions

| SIGNAL NAME | DESCRIPTION | TYPE | BALL |
|-------------------|----------------------------------|------|------|
| PWMSS1 | | | |
| eCAP1_in_PWM1_out | ECAP1 Capture Input / PWM Output | IO | A7 |

Table 4-23. PWM Signal Descriptions (continued)

| SIGNAL NAME | DESCRIPTION | TYPE | BALL |
|----------------------------|----------------------------------|------|----------|
| ehrpwm1_synci | EHRPWM1 Sync Input | I | A9 |
| ehrpwm1_synco | EHRPWM1 Sync Output | O | A8 |
| ehrpwm1_tripzone_in put | EHRPWM1 Trip Zone Input | IO | B9 |
| ehrpwm1A | EHRPWM1 Output A | O | B8 |
| ehrpwm1B | EHRPWM1 Output B | O | C8 |
| eQEP1_index | EQEP1 Index Input | IO | C7 |
| eQEP1_strobe | EQEP1 Strobe Input | IO | E8 |
| eQEP1A_in | EQEP1 Quadrature Input A | I | D8 |
| eQEP1B_in | EQEP1 Quadrature Input B | I | B7 |
| PWMSS2 | | | |
| eCAP2_in_PWM2_out | ECAP2 Capture Input / PWM Output | IO | B11, Y1 |
| ehrpwm2_tripzone_in put | EHRPWM2 Trip Zone Input | IO | C10, Y2 |
| ehrpwm2A | EHRPWM2 Output A | O | E10, Y5 |
| ehrpwm2B | EHRPWM2 Output B | O | D10, Y6 |
| eQEP2_index | EQEP2 Index Input | IO | A10 |
| eQEP2_strobe | EQEP2 Strobe Input | IO | B10 |
| eQEP2A_in | EQEP2 Quadrature Input A | I | A11 |
| eQEP2B_in | EQEP2 Quadrature Input B | I | F10 |
| PWMSS3 | | | |
| eCAP3_in_PWM3_out | ECAP3 Capture Input / PWM Output | IO | AB1, B13 |
| ehrpwm3_tripzone_in put | EHRPWM3 Trip Zone Input | IO | AA4, F11 |
| ehrpwm3A | EHRPWM3 Output A | O | A13, Y3 |
| ehrpwm3B | EHRPWM3 Output B | O | AA1, E11 |
| eQEP3_index | EQEP3 Index Input | IO | AA3, B12 |
| eQEP3_strobe | EQEP3 Strobe Input | IO | A12, W2 |
| eQEP3A_in | EQEP3 Quadrature Input A | I | D11, Y4 |
| eQEP3B_in | EQEP3 Quadrature Input B | I | AA2, C11 |

4.3.23 PRU-ICSS

NOTE

For more information, see the *Programmable Real-Time Unit Subsystem and Industrial Communication Subsystem* section of the Device TRM.

Table 4-24. PRU-ICSS Signal Descriptions

| SIGNAL NAME | DESCRIPTION | TYPE | BALL |
|---------------------------------|----------------------------|------|------|
| PRU-ICSS1 | | | |
| pr1_ecap0_ecap_capin _apwm_o | Capture Input / PWM output | IO | A7 |
| pr1_edc_sync0_out | SYNC 0 Output | O | A8 |
| pr1_edio_data_in0 | Ethernet Digital Input | I | D8 |
| pr1_edio_data_in1 | Ethernet Digital Input | I | B7 |
| pr1_edio_data_in2 | Ethernet Digital Input | I | C7 |
| pr1_edio_data_in3 | Ethernet Digital Input | I | E8 |
| pr1_edio_data_in4 | Ethernet Digital Input | I | B8 |

Table 4-24. PRU-ICSS Signal Descriptions (continued)

| SIGNAL NAME | DESCRIPTION | TYPE | BALL |
|--------------------|----------------------------|------|------|
| pr1_edio_data_in5 | Ethernet Digital Input | I | C8 |
| pr1_edio_data_in6 | Ethernet Digital Input | I | B9 |
| pr1_edio_data_in7 | Ethernet Digital Input | I | A7 |
| pr1_edio_data_out0 | Ethernet Digital Output | O | D8 |
| pr1_edio_data_out1 | Ethernet Digital Output | O | B7 |
| pr1_edio_data_out2 | Ethernet Digital Output | O | C7 |
| pr1_edio_data_out3 | Ethernet Digital Output | O | E8 |
| pr1_edio_data_out4 | Ethernet Digital Output | O | B8 |
| pr1_edio_data_out5 | Ethernet Digital Output | O | C8 |
| pr1_edio_data_out6 | Ethernet Digital Output | O | B9 |
| pr1_edio_data_out7 | Ethernet Digital Output | O | A7 |
| pr1_edio_sof | Start Of Frame | O | A11 |
| pr1_mdio_data | MDIO Data | IO | C10 |
| pr1_mdio_mdclk | MDIO Clock | O | D10 |
| pr1_edc_latch0_in | Latch Input 0 | I | A9 |
| pr1_mii0_col | MII0 Collision Detect | I | L5 |
| pr1_mii0_crs | MII0 Carrier Sense | I | P4 |
| pr1_mii0_rxd0 | MII0 Receive Data | I | R1 |
| pr1_mii0_rxd1 | MII0 Receive Data | I | R2 |
| pr1_mii0_rxd2 | MII0 Receive Data | I | T5 |
| pr1_mii0_rxd3 | MII0 Receive Data | I | T4 |
| pr1_mii0_rxdv | MII0 Data Valid | I | N5 |
| pr1_mii0_rxer | MII0 Receive Error | I | P3 |
| pr1_mii0_r xlink | MII0 Receive Link | I | L6 |
| pr1_mii0_txd0 | MII0 Transmit Data | O | N4 |
| pr1_mii0_txd1 | MII0 Transmit Data | O | N3 |
| pr1_mii0_txd2 | MII0 Transmit Data | O | N1 |
| pr1_mii0_txd3 | MII0 Transmit Data | O | P2 |
| pr1_mii0_txen | MII0 Transmit Enable | O | P1 |
| pr1_mii1_col | MII1 Collision Detect | I | C13 |
| pr1_mii1_crs | MII1 Carrier Sense | I | D13 |
| pr1_mii1_rxd0 | MII1 Receive Data | I | F11 |
| pr1_mii1_rxd1 | MII1 Receive Data | I | E11 |
| pr1_mii1_rxd2 | MII1 Receive Data | I | A13 |
| pr1_mii1_rxd3 | MII1 Receive Data | I | A12 |
| pr1_mii1_rxdv | MII1 Data Valid | I | B12 |
| pr1_mii1_rxer | MII1 Receive Error | I | B13 |
| pr1_mii1_r xlink | MII1 Receive Link | I | E13 |
| pr1_mii1_txd0 | MII1 Transmit Data | O | D11 |
| pr1_mii1_txd1 | MII1 Transmit Data | O | B11 |
| pr1_mii1_txd2 | MII1 Transmit Data | O | E10 |
| pr1_mii1_txd3 | MII1 Transmit Data | O | B10 |
| pr1_mii1_txen | MII1 Transmit Enable | O | A10 |
| pr1_mii_mr0_clk | MII0 Master Receive Clock | I | N6 |
| pr1_mii_mr1_clk | MII1 Master Receive Clock | I | C11 |
| pr1_mii_mt0_clk | MII0 Master Transmit Clock | I | N2 |
| pr1_mii_mt1_clk | MII1 Master Transmit Clock | I | F10 |

Table 4-24. PRU-ICSS Signal Descriptions (continued)

| SIGNAL NAME | DESCRIPTION | TYPE | BALL |
|-------------------|-----------------------------|------|------|
| pr1_pru1_gpi0 | PRU1 General-Purpose Input | I | A9 |
| pr1_pru1_gpi1 | PRU1 General-Purpose Input | I | A8 |
| pr1_pru1_gpi2 | PRU1 General-Purpose Input | I | A11 |
| pr1_pru1_gpi3 | PRU1 General-Purpose Input | I | F10 |
| pr1_pru1_gpi4 | PRU1 General-Purpose Input | I | A10 |
| pr1_pru1_gpi5 | PRU1 General-Purpose Input | I | B10 |
| pr1_pru1_gpi6 | PRU1 General-Purpose Input | I | E10 |
| pr1_pru1_gpi7 | PRU1 General-Purpose Input | I | D10 |
| pr1_pru1_gpi8 | PRU1 General-Purpose Input | I | C10 |
| pr1_pru1_gpi9 | PRU1 General-Purpose Input | I | B11 |
| pr1_pru1_gpi10 | PRU1 General-Purpose Input | I | D11 |
| pr1_pru1_gpi11 | PRU1 General-Purpose Input | I | C11 |
| pr1_pru1_gpi12 | PRU1 General-Purpose Input | I | B12 |
| pr1_pru1_gpi13 | PRU1 General-Purpose Input | I | A12 |
| pr1_pru1_gpi14 | PRU1 General-Purpose Input | I | A13 |
| pr1_pru1_gpi15 | PRU1 General-Purpose Input | I | E11 |
| pr1_pru1_gpi16 | PRU1 General-Purpose Input | I | F11 |
| pr1_pru1_gpi17 | PRU1 General-Purpose Input | I | B13 |
| pr1_pru1_gpi18 | PRU1 General-Purpose Input | I | E13 |
| pr1_pru1_gpi19 | PRU1 General-Purpose Input | I | C13 |
| pr1_pru1_gpi20 | PRU1 General-Purpose Input | I | D13 |
| pr1_pru1_gpo0 | PRU1 General-Purpose Output | O | A9 |
| pr1_pru1_gpo1 | PRU1 General-Purpose Output | O | A8 |
| pr1_pru1_gpo2 | PRU1 General-Purpose Output | O | A11 |
| pr1_pru1_gpo3 | PRU1 General-Purpose Output | O | F10 |
| pr1_pru1_gpo4 | PRU1 General-Purpose Output | O | A10 |
| pr1_pru1_gpo5 | PRU1 General-Purpose Output | O | B10 |
| pr1_pru1_gpo6 | PRU1 General-Purpose Output | O | E10 |
| pr1_pru1_gpo7 | PRU1 General-Purpose Output | O | D10 |
| pr1_pru1_gpo8 | PRU1 General-Purpose Output | O | C10 |
| pr1_pru1_gpo9 | PRU1 General-Purpose Output | O | B11 |
| pr1_pru1_gpo10 | PRU1 General-Purpose Output | O | D11 |
| pr1_pru1_gpo11 | PRU1 General-Purpose Output | O | C11 |
| pr1_pru1_gpo12 | PRU1 General-Purpose Output | O | B12 |
| pr1_pru1_gpo13 | PRU1 General-Purpose Output | O | A12 |
| pr1_pru1_gpo14 | PRU1 General-Purpose Output | O | A13 |
| pr1_pru1_gpo15 | PRU1 General-Purpose Output | O | E11 |
| pr1_pru1_gpo16 | PRU1 General-Purpose Output | O | F11 |
| pr1_pru1_gpo17 | PRU1 General-Purpose Output | O | B13 |
| pr1_pru1_gpo18 | PRU1 General-Purpose Output | O | E13 |
| pr1_pru1_gpo19 | PRU1 General-Purpose Output | O | C13 |
| pr1_pru1_gpo20 | PRU1 General-Purpose Output | O | D13 |
| pr1_uart0_cts_n | UART Clear-To-Send | I | E8 |
| pr1_uart0_rts_n | UART Ready-To-Send | O | B8 |
| pr1_uart0_rxd | UART Receive Data | I | C8 |
| pr1_uart0_txd | UART Transmit Data | O | B9 |
| PRU-ICSS 2 | | | |

Table 4-24. PRU-ICSS Signal Descriptions (continued)

| SIGNAL NAME | DESCRIPTION | TYPE | BALL |
|------------------|----------------------------|------|----------|
| pr2_mdio_data | MDIO Data | IO | AC4, C17 |
| pr2_mdio_mdclk | MDIO Clock | O | AA5, C16 |
| pr2_mii0_col | MII0 Collision Detect | I | A23 |
| pr2_mii0_crs | MII0 Carrier Sense | I | A22 |
| pr2_mii0_rxd0 | MII0 Receive Data | I | A21 |
| pr2_mii0_rxd1 | MII0 Receive Data | I | D19 |
| pr2_mii0_rxd2 | MII0 Receive Data | I | E19 |
| pr2_mii0_rxd3 | MII0 Receive Data | I | F16 |
| pr2_mii0_rxdv | MII0 Data Valid | I | E16 |
| pr2_mii0_rxer | MII0 Receive Error | I | D14 |
| pr2_mii0_r xlink | MII0 Receive Link | I | B21 |
| pr2_mii0_txd0 | MII0 Transmit Data | O | A19 |
| pr2_mii0_txd1 | MII0 Transmit Data | O | B18 |
| pr2_mii0_txd2 | MII0 Transmit Data | O | B16 |
| pr2_mii0_txd3 | MII0 Transmit Data | O | B17 |
| pr2_mii0_txen | MII0 Transmit Enable | O | A18 |
| pr2_mii1_col | MII1 Collision Detect | I | J25 |
| pr2_mii1_crs | MII1 Carrier Sense | I | J24 |
| pr2_mii1_rxd0 | MII1 Receive Data | I | AB1 |
| pr2_mii1_rxd1 | MII1 Receive Data | I | AA4 |
| pr2_mii1_rxd2 | MII1 Receive Data | I | AA1 |
| pr2_mii1_rxd3 | MII1 Receive Data | I | Y3 |
| pr2_mii1_rxdv | MII1 Data Valid | I | W2 |
| pr2_mii1_rxer | MII1 Receive Error | I | B22 |
| pr2_mii1_r xlink | MII1 Receive Link | I | B23 |
| pr2_mii1_txd0 | MII1 Transmit Data | O | AA2 |
| pr2_mii1_txd1 | MII1 Transmit Data | O | Y4 |
| pr2_mii1_txd2 | MII1 Transmit Data | O | Y1 |
| pr2_mii1_txd3 | MII1 Transmit Data | O | Y2 |
| pr2_mii1_txen | MII1 Transmit Enable | O | Y6 |
| pr2_mii_mr0_clk | MII0 Master Receive Clock | I | E17 |
| pr2_mii_mr1_clk | MII1 Master Receive Clock | I | AA3 |
| pr2_mii_mt0_clk | MII0 Master Transmit Clock | I | B14 |
| pr2_mii_mt1_clk | MII1 Master Transmit Clock | I | Y5 |
| pr2_pru0_gpi0 | PRU0 General-Purpose Input | I | Y5 |
| pr2_pru0_gpi1 | PRU0 General-Purpose Input | I | Y6 |
| pr2_pru0_gpi2 | PRU0 General-Purpose Input | I | Y2 |
| pr2_pru0_gpi3 | PRU0 General-Purpose Input | I | Y1 |
| pr2_pru0_gpi4 | PRU0 General-Purpose Input | I | Y4 |
| pr2_pru0_gpi5 | PRU0 General-Purpose Input | I | AA2 |
| pr2_pru0_gpi6 | PRU0 General-Purpose Input | I | AA3 |
| pr2_pru0_gpi7 | PRU0 General-Purpose Input | I | W2 |
| pr2_pru0_gpi8 | PRU0 General-Purpose Input | I | Y3 |
| pr2_pru0_gpi9 | PRU0 General-Purpose Input | I | AA1 |
| pr2_pru0_gpi10 | PRU0 General-Purpose Input | I | AA4 |
| pr2_pru0_gpi11 | PRU0 General-Purpose Input | I | AB1 |
| pr2_pru0_gpi12 | PRU0 General-Purpose Input | I | A22 |

Table 4-24. PRU-ICSS Signal Descriptions (continued)

| SIGNAL NAME | DESCRIPTION | TYPE | BALL |
|----------------|-----------------------------|------|---------|
| pr2_pru0_gpi13 | PRU0 General-Purpose Input | I | A23 |
| pr2_pru0_gpi14 | PRU0 General-Purpose Input | I | B22 |
| pr2_pru0_gpi15 | PRU0 General-Purpose Input | I | B23 |
| pr2_pru0_gpi16 | PRU0 General-Purpose Input | I | A21 |
| pr2_pru0_gpi17 | PRU0 General-Purpose Input | I | B21 |
| pr2_pru0_gpi18 | PRU0 General-Purpose Input | I | E19 |
| pr2_pru0_gpi19 | PRU0 General-Purpose Input | I | D19 |
| pr2_pru0_gpi20 | PRU0 General-Purpose Input | I | F16 |
| pr2_pru0_gpo0 | PRU0 General-Purpose Output | O | Y5 |
| pr2_pru0_gpo1 | PRU0 General-Purpose Output | O | Y6 |
| pr2_pru0_gpo2 | PRU0 General-Purpose Output | O | Y2 |
| pr2_pru0_gpo3 | PRU0 General-Purpose Output | O | Y1 |
| pr2_pru0_gpo4 | PRU0 General-Purpose Output | O | Y4 |
| pr2_pru0_gpo5 | PRU0 General-Purpose Output | O | AA2 |
| pr2_pru0_gpo6 | PRU0 General-Purpose Output | O | AA3 |
| pr2_pru0_gpo7 | PRU0 General-Purpose Output | O | W2 |
| pr2_pru0_gpo8 | PRU0 General-Purpose Output | O | Y3 |
| pr2_pru0_gpo9 | PRU0 General-Purpose Output | O | AA1 |
| pr2_pru0_gpo10 | PRU0 General-Purpose Output | O | AA4 |
| pr2_pru0_gpo11 | PRU0 General-Purpose Output | O | AB1 |
| pr2_pru0_gpo12 | PRU0 General-Purpose Output | O | A22 |
| pr2_pru0_gpo13 | PRU0 General-Purpose Output | O | A23 |
| pr2_pru0_gpo14 | PRU0 General-Purpose Output | O | B22 |
| pr2_pru0_gpo15 | PRU0 General-Purpose Output | O | B23 |
| pr2_pru0_gpo16 | PRU0 General-Purpose Output | O | A21 |
| pr2_pru0_gpo17 | PRU0 General-Purpose Output | O | B21 |
| pr2_pru0_gpo18 | PRU0 General-Purpose Output | O | E19 |
| pr2_pru0_gpo19 | PRU0 General-Purpose Output | O | D19 |
| pr2_pru0_gpo20 | PRU0 General-Purpose Output | O | F16 |
| pr2_pru1_gpi0 | PRU1 General-Purpose Input | I | D23, L5 |
| pr2_pru1_gpi1 | PRU1 General-Purpose Input | I | AC3, L6 |
| pr2_pru1_gpi2 | PRU1 General-Purpose Input | I | U6, P5 |
| pr2_pru1_gpi3 | PRU1 General-Purpose Input | I | AA5, N5 |
| pr2_pru1_gpi4 | PRU1 General-Purpose Input | I | AC4, N6 |
| pr2_pru1_gpi5 | PRU1 General-Purpose Input | I | J25, T4 |
| pr2_pru1_gpi6 | PRU1 General-Purpose Input | I | J24, T5 |
| pr2_pru1_gpi7 | PRU1 General-Purpose Input | I | C16, P4 |
| pr2_pru1_gpi8 | PRU1 General-Purpose Input | I | D14, P3 |
| pr2_pru1_gpi9 | PRU1 General-Purpose Input | I | B14, R2 |
| pr2_pru1_gpi10 | PRU1 General-Purpose Input | I | A18, R1 |
| pr2_pru1_gpi11 | PRU1 General-Purpose Input | I | B17, N2 |
| pr2_pru1_gpi12 | PRU1 General-Purpose Input | I | B16, P2 |
| pr2_pru1_gpi13 | PRU1 General-Purpose Input | I | B18, N1 |
| pr2_pru1_gpi14 | PRU1 General-Purpose Input | I | A19, P1 |
| pr2_pru1_gpi15 | PRU1 General-Purpose Input | I | E17, N3 |
| pr2_pru1_gpi16 | PRU1 General-Purpose Input | I | E16, N4 |
| pr2_pru1_gpo0 | PRU1 General-Purpose Output | O | D23, L5 |

Table 4-24. PRU-ICSS Signal Descriptions (continued)

| SIGNAL NAME | DESCRIPTION | TYPE | BALL |
|----------------|-----------------------------|------|---------|
| pr2_pru1_gpo1 | PRU1 General-Purpose Output | O | AC3, L6 |
| pr2_pru1_gpo2 | PRU1 General-Purpose Output | O | U6, P5 |
| pr2_pru1_gpo3 | PRU1 General-Purpose Output | O | AA5, N5 |
| pr2_pru1_gpo4 | PRU1 General-Purpose Output | O | AC4, N6 |
| pr2_pru1_gpo5 | PRU1 General-Purpose Output | O | J25, T4 |
| pr2_pru1_gpo6 | PRU1 General-Purpose Output | O | J24, T5 |
| pr2_pru1_gpo7 | PRU1 General-Purpose Output | O | C16, P4 |
| pr2_pru1_gpo8 | PRU1 General-Purpose Output | O | D14, P3 |
| pr2_pru1_gpo9 | PRU1 General-Purpose Output | O | B14, R2 |
| pr2_pru1_gpo10 | PRU1 General-Purpose Output | O | A18, R1 |
| pr2_pru1_gpo11 | PRU1 General-Purpose Output | O | B17, N2 |
| pr2_pru1_gpo12 | PRU1 General-Purpose Output | O | B16, P2 |
| pr2_pru1_gpo13 | PRU1 General-Purpose Output | O | B18, N1 |
| pr2_pru1_gpo14 | PRU1 General-Purpose Output | O | A19, P1 |
| pr2_pru1_gpo15 | PRU1 General-Purpose Output | O | E17, N3 |
| pr2_pru1_gpo16 | PRU1 General-Purpose Output | O | E16, N4 |

NOTE

PRU-ICSS has an internal wrapper multiplexing that allows MII_RT, EnDAT, and Sigma Delta functionality to be muxed with the PRU GPIO signals. See **PRU-ICSS I/O Interface** in device TRM. Additionally, the EGPIO module can also be configured to export additional functions to EGPIO pins in place of simple GPIO. See **Enhanced General-Purpose Module/Serial Capture Unit** in Device TRM.

4.3.24 Emulation and Debug Subsystem**NOTE**

For more information, see the On-Chip Debug Support / Debug Ports section of the Device TRM.

Table 4-25. Debug Signal Descriptions

| SIGNAL NAME | DESCRIPTION | TYPE | BALL |
|---------------------|--|------|------|
| tms | JTAG test port mode select. An external pullup resistor should be used on this ball. | IO | L21 |
| tdi | JTAG test data | I | L23 |
| tdo | JTAG test port data | O | J20 |
| tclk | JTAG test clock | I | K21 |
| trstn | JTAG test reset | I | L22 |
| rtck | JTAG return clock | O | K25 |
| emu0 ⁽¹⁾ | Emulator pin 0 | IO | C21 |
| emu1 ⁽¹⁾ | Emulator pin 1 | IO | C22 |
| emu2 | Emulator pin 2 | IO | E14 |
| emu3 | Emulator pin 3 | IO | F14 |
| emu4 | Emulator pin 4 | IO | F13 |
| emu5 | Emulator pin 5 | O | D8 |
| emu6 | Emulator pin 6 | O | B7 |
| emu7 | Emulator pin 7 | O | C7 |
| emu8 | Emulator pin 8 | O | E8 |

Table 4-25. Debug Signal Descriptions (continued)

| SIGNAL NAME | DESCRIPTION | TYPE | BALL |
|-------------|-----------------|------|------|
| emu9 | Emulator pin 9 | O | B8 |
| emu10 | Emulator pin 10 | O | C8 |
| emu11 | Emulator pin 11 | O | B9 |
| emu12 | Emulator pin 12 | O | A7 |
| emu13 | Emulator pin 13 | O | A9 |
| emu14 | Emulator pin 14 | O | A8 |
| emu15 | Emulator pin 15 | O | A11 |
| emu16 | Emulator pin 16 | O | F10 |
| emu17 | Emulator pin 17 | O | A10 |
| emu18 | Emulator pin 18 | O | B10 |
| emu19 | Emulator pin 19 | O | E10 |

(1) EMU0 and EMU1 are multiplexed with GPIO. These pins will be sampled at reset release by the test and emulation logic. Therefore, if they are used as GPIO pins, they must return to the high state whenever the device enters reset. This can be controlled by logic driven from rstoutn. After the device exits reset (indicated by rstoutn rising), these can return to GPIO mode.

4.3.25 System and Miscellaneous

4.3.25.1 Sysboot

NOTE

For more information, see the Initialization (ROM Code) section of the Device TRM.

Table 4-26. Sysboot Signal Descriptions

| SIGNAL NAME | DESCRIPTION | TYPE | BALL |
|-------------|---|------|------|
| sysboot0 | Boot Mode Configuration 0. The value latched on this pin upon porz reset release will determine the boot mode configuration of the device. | I | F1 |
| sysboot1 | Boot Mode Configuration 1. The value latched on this pin upon porz reset release will determine the boot mode configuration of the device. | I | E2 |
| sysboot2 | Boot Mode Configuration 2. The value latched on this pin upon porz reset release will determine the boot mode configuration of the device. | I | E1 |
| sysboot3 | Boot Mode Configuration 3. The value latched on this pin upon porz reset release will determine the boot mode configuration of the device. | I | C1 |
| sysboot4 | Boot Mode Configuration 4. The value latched on this pin upon porz reset release will determine the boot mode configuration of the device. | I | D1 |
| sysboot5 | Boot Mode Configuration 5. The value latched on this pin upon porz reset release will determine the boot mode configuration of the device. | I | D2 |
| sysboot6 | Boot Mode Configuration 6. The value latched on this pin upon porz reset release will determine the boot mode configuration of the device. | I | B1 |
| sysboot7 | Boot Mode Configuration 7. The value latched on this pin upon porz reset release will determine the boot mode configuration of the device. | I | B2 |
| sysboot8 | Boot Mode Configuration 8. The value latched on this pin upon porz reset release will determine the boot mode configuration of the device. | I | C2 |
| sysboot9 | Boot Mode Configuration 9. The value latched on this pin upon porz reset release will determine the boot mode configuration of the device. | I | D3 |
| sysboot10 | Boot Mode Configuration 10. The value latched on this pin upon porz reset release will determine the boot mode configuration of the device. | I | A2 |
| sysboot11 | Boot Mode Configuration 11. The value latched on this pin upon porz reset release will determine the boot mode configuration of the device. | I | B3 |
| sysboot12 | Boot Mode Configuration 12. The value latched on this pin upon porz reset release will determine the boot mode configuration of the device. | I | C3 |
| sysboot13 | Boot Mode Configuration 13. The value latched on this pin upon porz reset release will determine the boot mode configuration of the device. | I | C4 |

Table 4-26. Sysboot Signal Descriptions (continued)

| SIGNAL NAME | DESCRIPTION | TYPE | BALL |
|-------------|---|------|------|
| sysboot14 | Boot Mode Configuration 14. The value latched on this pin upon porz reset release will determine the boot mode configuration of the device. | I | A3 |
| sysboot15 | Boot Mode Configuration 15. The value latched on this pin upon porz reset release will determine the boot mode configuration of the device. | I | B4 |

4.3.25.2 Power, Reset, and Clock Management (PRCM)**NOTE**

For more information, see PRCM section of the Device TRM.

Table 4-27. PRCM Signal Descriptions

| SIGNAL NAME | DESCRIPTION | TYPE | BALL |
|--------------------------------|--|------|---------|
| clkout1 | Device Clock output 1. Can be used externally for devices with non-critical timing requirements, or for debug, or as a reference clock on GPMC as described in Table 5-49, GPMC/NOR Flash Interface Switching Characteristics - Synchronous Mode - Default and Table 5-51, GPMC/NOR Flash Interface Switching Characteristics - Synchronous Mode - Alternate . | O | K23, L4 |
| clkout2 | Device Clock output 2. Can be used externally for devices with non-critical timing requirements, or for debug. | O | H5, J25 |
| clkout3 | Device Clock output 3. Can be used externally for devices with non-critical timing requirements, or for debug. | O | H25 |
| porz | Power on Reset (active low). This pin must be asserted low until all device supplies are valid (see reset sequence/requirements) | I | F19 |
| resetn | Device Reset Input | I | K24 |
| rstoutn | Reset out (active low). This pin asserts low in response to any global reset condition on the device. ⁽²⁾ | O | E20 |
| xi_osc0 | System Oscillator OSC0 Crystal input / LVCMOS clock input. Functions as the input connection to a crystal when the internal oscillator OSC0 is used. Functions as an LVCMOS-compatible input clock when an external oscillator is used. | I | Y12 |
| xi_osc1 | Auxiliary Oscillator OSC1 Crystal input / LVCMOS clock input. Functions as the input connection to a crystal when the internal oscillator OSC1 is used. Functions as an LVCMOS-compatible input clock when an external oscillator is used | I | AC11 |
| xo_osc0 | System Oscillator OSC0 Crystal output | O | AB12 |
| xo_osc1 | Auxiliary Oscillator OSC1 Crystal output | O | AA11 |
| xref_clk0 | External Reference Clock 0. For Audio and other Peripherals. | I | J25 |
| xref_clk1 | External Reference Clock 1. For Audio and other Peripherals. | I | J24 |
| xref_clk2 | External Reference Clock 2. For Audio and other Peripherals. | I | H24 |
| xref_clk3 | External Reference Clock 3. For Audio and other Peripherals. | I | H25 |
| RMII_MHZ_50_CLK ⁽¹⁾ | RMII Reference Clock (50MHz). This pin is an input when external reference is used or output when internal reference is used. | IO | P5 |

(1) This clock signal is implemented as 'pad loopback' inside the device - the output signal is looped back through the input buffer to serve as the internal reference signal. Series termination is recommended (as close to device pin as possible) to improve signal integrity of the clock input. Any nonmonotonicity in voltage that occurs at the pad loopback clock pin between V_{IH} and V_{IL} must be less than V_{HYS} .

(2) Note that rstoutn is only valid after vddshv3 is valid. If the rstoutn signal will be used as a reset into other devices attached to the SoC, it must be AND'ed with porz. This will prevent glitches occurring during supply ramping being propagated.

4.3.25.3 System Direct Memory Access (SDMA)**NOTE**

For more information, see the DMA Controllers / System DMA section of the Device TRM.

Table 4-28. SDMA Signal Descriptions

| SIGNAL NAME | DESCRIPTION | TYPE | BALL |
|-------------|--------------------------|------|--------|
| dma_evt1 | System DMA Event Input 1 | I | G1, L4 |
| dma_evt2 | System DMA Event Input 2 | I | H3, H5 |
| dma_evt3 | System DMA Event Input 3 | I | H2 |
| dma_evt4 | System DMA Event Input 4 | I | H6 |

4.3.25.4 Interrupt Controllers (INTC)

NOTE

For more information, see the Interrupt Controllers section of the Device TRM.

Table 4-29. INTC Signal Descriptions

| SIGNAL NAME | DESCRIPTION | TYPE | BALL |
|-------------|--|------|------|
| nmin_dsp | Non maskable interrupt input, active-low. This pin can be optionally routed to the DSP NMI input or as generic input to the Arm cores. Note that by default this pin has an internal pulldown resistor enabled. This internal pulldown should be disabled or countered by a stronger external pullup resistor before routing to the DSP or Arm processors. | I | L24 |
| sys_nirq2 | External interrupt event to any device INTC | I | AC10 |
| sys_nirq1 | External interrupt event to any device INTC | I | AB10 |

4.3.26 Power Supplies

NOTE

For more information, see Power, Reset, and Clock Management / PRCM Subsystem Environment / External Voltage Inputs section of the Device TRM.

Table 4-30. Power Supply Signal Descriptions

| SIGNAL NAME | DESCRIPTION | TYPE | BALL |
|--------------------|----------------------------|------|--|
| vdd | Core voltage domain supply | PWR | J15, J16, J18, K12, K18, L12, L17, M11, M13, M15, M17, N11, N13, N15, N18, P10, P12, P14, P16, P18, R10, R12, R14, R16, R17, T11, T13, T15, T17, T9, U11, U13, U15, U18, U9, V10, V12, V14, V16, V18, W10, W12, W14, W16 |
| vpp ⁽²⁾ | eFuse power supply | PWR | F20 |

Table 4-30. Power Supply Signal Descriptions (continued)

| SIGNAL NAME | DESCRIPTION | TYPE | BALL |
|---------------------------------|---|------|--|
| vss | Ground | GND | A1, A25, AA13, AA15, AA7, AA8, AA9, AB8, AC13, AE1, AE15, AE25, G13, G16, G8, H10, H12, H14, H16, H18, H19, H8, J10, J12, J14, J17, K11, K13, K15, K17, K9, L11, L13, L15, L18, L8, M12, M14, M16, M18, M20, M8, M9, N12, N14, N16, N17, N20, P11, P13, P15, P17, P19, P9, R11, R13, R15, R18, R19, R8, R9, T10, T12, T14, T16, T18, T8, U10, U12, U14, U16, U17, U19, V11, V13, V15, V17, V19, V8, V9, W19, W9, Y14, Y16, Y17, Y7 |
| cap_vbbldo_gpu ⁽¹⁾ | MM (SGX) Back bias supply | CAP | T7 |
| cap_vbbldo_iva ⁽¹⁾ | IVA Back bias supply | CAP | G14 |
| cap_vbbldo_mpu ⁽¹⁾ | MPU back bias supply | CAP | F17 |
| cap_vbbldo_dsp ⁽¹⁾ | External capacitor connection for the DSP vbb ldo output | CAP | F8 |
| cap_vddram_core1 ⁽¹⁾ | SRAM array supply for core memories | CAP | U20 |
| cap_vddram_core3 ⁽¹⁾ | SRAM array supply for core memories | CAP | K7 |
| cap_vddram_core4 ⁽¹⁾ | SRAM array supply for core memories | CAP | G19 |
| cap_vddram_gpu ⁽¹⁾ | SRAM array supply for SGX (MM) memories | CAP | V7 |
| cap_vddram_iva ⁽¹⁾ | SRAM array supply for IVA memories | CAP | G12 |
| cap_vddram_dsp ⁽¹⁾ | External capacitor connection for the DSP | CAP | L7 |
| cap_vddram_mpu ⁽¹⁾ | External capacitor connection for the MPU SRAM array ldo output | CAP | G18 |
| vdda33v_usb1 | HS USB1 3p3 supply | PWR | AA10 |
| vdda33v_usb2 | HS USB1 3p3 supply | PWR | Y10 |
| vdda_core_gmac | DPLL_CORE and CORE HSDIVIDER analog power supply | PWR | L9 |
| vdda_csi | CSI Interface 1.8v Supply | PWR | T6 |
| vdda_dsp_iva | DSP PLL and IVA PLL analog power supply | PWR | K10, L10 |
| vdda_mpu_abe | MPU_ABE PLL analog power supply | PWR | K16, L16 |
| vdda_per | DPLL_ABE, DPLL_PER, and PER HSDIVIDER analog power supply | PWR | M10 |
| vdda_usb2 | HS USB2 1.8V analog power supply | PWR | Y8 |
| vdds_mlbp | MLBP IO power supply | PWR | P7, R7 |
| vdd_dsp | DSP voltage domain supply | PWR | H11, H13, H9, J11, J13, J9 |
| vdda_ddr | DDR PLL and DDR HSDIVIDER analog power supply | PWR | R20 |
| vdda_debug | Debug PLL inside IOSCLL supply | PWR | N10 |
| vdda_gpu | GPU (SGX) PLL analog power supply | PWR | N9 |
| vdda_hdmi | HDMI PLL and HDMI analog power supply | PWR | W15, Y15 |
| vdda_osc | HFOSC - 1.8v vdds supply | PWR | W13, Y13 |
| vdda_pcie | PCIe PLL analog power supply | PWR | W11, Y11 |
| vdda_usb1 | USB2 PLL analog power supply | PWR | W8 |
| vdda_usb3 | USB3 PLL analog power supply | PWR | Y9 |
| vdda_video | VIDEO1 and VIDEO2 PLL analog power supply | PWR | K14, L14 |
| vdds18v | 1.8V bump added for atestv esd supply | PWR | G11, H20, W7, Y18 |

Table 4-30. Power Supply Signal Descriptions (continued)

| SIGNAL NAME | DESCRIPTION | TYPE | BALL |
|--------------|---|------|------------------------------|
| vdds18v_dds1 | DDR2 - 1.8v bias supply | PWR | AA19, P20, Y19 |
| vddshv1 | VIN2 domain - 1.8/3.3 mode voltage Power cell - secondary power supply | PWR | G10, G9 |
| vddshv3 | GENERAL Domain - 1.8/3.3 mode voltage Power cell - secondary power supply | PWR | G15, G17, H15, H17, J19, K19 |
| vddshv4 | MMC4 Domain (UART4) - 1.8/3.3 mode voltage Power cell - secondary power supply | PWR | M19, N19 |
| vddshv7 | WiFi Power Group (MMC3/MCASP5) - 1.8/3.3 mode voltage Power cell - secondary power supply | PWR | U7, U8 |
| vddshv8 | Dual Voltage (1.8V or 3.3V) power supply for the MMC1 Power Group pins | PWR | N8, P8 |
| vddshv9 | RGMII - 1.8/3.3 mode voltage Power cell - secondary power supply | PWR | M7, N7 |
| vddshv10 | GPMC - 1.8/3.3 mode voltage Power cell - secondary power supply | PWR | J7, J8, K8 |
| vddshv11 | MMC2 - 1.8/3.3 mode voltage Power cell - secondary power supply | PWR | F7, G7, H7 |
| vdds_dds1 | DDR2 - vdds2 can be 1.8 (dds2)/1.5(dds3) - secondary power supply | PWR | T19, T20, V20, W17, W18, W20 |
| vssa_osc0 | OSC0 Analog ground | GND | AA12 |
| vssa_osc1 | OSC1 Analog ground | GND | AB11 |

- (1) This pin must always be connected via a 1- μ F capacitor to vss.
- (2) This signal is valid only for High-Security devices. For more details, see [Section 5.8, VPP Specification for One-Time Programmable \(OTP\) eFUSES](#). For General Purpose devices do not connect any signal, test point, or board trace to this signal.

4.4 Pin Multiplexing

[Table 4-31](#) describes the device pin multiplexing (no characteristics are provided in this table).

NOTE

[Table 4-31](#), *Pin Multiplexing* doesn't take into account subsystem multiplexing signals. Subsystem multiplexing signals are described in [Section 4.3](#), *Signal Descriptions*.

NOTE

For more information, see the Control Module / Control Module Functional Description / PAD Functional Multiplexing and Configuration section of the Device TRM.

NOTE

Configuring two pins to the same input signal is not supported as it can yield unexpected results. This can be easily prevented with the proper software configuration (Hi-Z mode is not an input signal).

NOTE

When a pad is set into a pin multiplexing mode which is not defined, that pad's behavior is undefined. This should be avoided.

NOTE

In some cases [Table 4-31](#) may present more than one signal per muxmode for the same ball. First signal in the list is the dominant function as selected via CTRL_CORE_PAD_* register.

All other signals are virtual functions that present alternate multiplexing options. This virtual functions are controlled via CTRL_CORE_ALT_SELECT_MUX or CTRL_CORE_VIP_MUX_SELECT register. For more information on how to use this options, please refer to Device TRM, Chapter *Control Module*, Section *Pad Configuration Registers*.

CAUTION

The I/O timings provided in [Section 5.10](#), *Timing Requirements and Switching Characteristics* are valid only if signals within a single IOSET are used. The IOSETs are defined in the corresponding tables.

Table 4-31. Pin Multiplexing

| ADDRESS | REGISTER NAME | BALL NUMBER | MUXMODE FIELD SETTINGS (CTRL_CORE_PAD_*(3:0)) | | | | | | | | | | | | | | | |
|---------|---------------|-------------|---|-----------|---|----|----|----|----|---|----|---|----|----|----|----|-----|----|
| | | | 0 | 1 | 2 | 3* | 4* | 5* | 6* | 7 | 8* | 9 | 10 | 11 | 12 | 13 | 14* | 15 |
| | | P25 | ddr1_dqm3 | | | | | | | | | | | | | | | |
| | | Y23 | ddr1_d10 | | | | | | | | | | | | | | | |
| | | P21 | ddr1_d27 | | | | | | | | | | | | | | | |
| | | T3 | mlbp_sig_p | | | | | | | | | | | | | | | |
| | | U25 | ddr1_d17 | | | | | | | | | | | | | | | |
| | | AA20 | ddr1_a7 | | | | | | | | | | | | | | | |
| | | V25 | ddr1_dqsn2 | | | | | | | | | | | | | | | |
| | | AB16 | ddr1_ba2 | | | | | | | | | | | | | | | |
| | | T25 | ddr1_d25 | | | | | | | | | | | | | | | |
| | | N21 | ddr1_d28 | | | | | | | | | | | | | | | |
| | | AB25 | ddr1_d13 | | | | | | | | | | | | | | | |
| | | AE9 | hdmi1_cloc kx | | | | | | | | | | | | | | | |
| | | W23 | ddr1_d16 | | | | | | | | | | | | | | | |
| | | AC24 | ddr1_d1 | | | | | | | | | | | | | | | |
| | | AD16 | ddr1_casn | | | | | | | | | | | | | | | |
| | | AA23 | ddr1_d0 | | | | | | | | | | | | | | | |
| | | AD18 | ddr1_odt0 | | | | | | | | | | | | | | | |
| | | AE19 | ddr1_a1 | | | | | | | | | | | | | | | |
| | | AC20 | ddr1_a9 | | | | | | | | | | | | | | | |
| | | U21 | ddr1_dqm2 | | | | | | | | | | | | | | | |
| | | AA24 | ddr1_d8 | | | | | | | | | | | | | | | |
| | | U4 | mlbp_sig_n | | | | | | | | | | | | | | | |
| | | AC11 | xi_osc1 | | | | | | | | | | | | | | | |
| | | AD1 | csi2_0_dx1 | | | | | | | | | | | | | | | |
| | | AE3 | usb_txn0 | pcie_txn1 | | | | | | | | | | | | | | |
| | | AC6 | usb1_dp | | | | | | | | | | | | | | | |
| | | AD6 | usb_rxp0 | pcie_rxp1 | | | | | | | | | | | | | | |
| | | AA16 | ddr1_ba1 | | | | | | | | | | | | | | | |
| | | Y12 | xi_osc0 | | | | | | | | | | | | | | | |
| | | AB15 | ddr1_a14 | | | | | | | | | | | | | | | |
| | | AC18 | ddr1_a0 | | | | | | | | | | | | | | | |
| | | AE11 | hdmi1_data 0x | | | | | | | | | | | | | | | |
| | | R25 | ddr1_dqsn3 | | | | | | | | | | | | | | | |
| | | Y24 | ddr1_dqs1 | | | | | | | | | | | | | | | |
| | | Y21 | ddr1_a8 | | | | | | | | | | | | | | | |
| | | W21 | ddr1_d19 | | | | | | | | | | | | | | | |
| | | AD20 | ddr1_a4 | | | | | | | | | | | | | | | |

Table 4-31. Pin Multiplexing (continued)

| ADDRESS | REGISTER NAME | BALL NUMBER | MUXMODE FIELD SETTINGS (CTRL_CORE_PAD_[3:0]) | | | | | | | | | | | | | | | |
|---------|---------------|-------------|--|---|---|----|----|----|----|---|----|---|----|----|----|----|-----|----|
| | | | 0 | 1 | 2 | 3* | 4* | 5* | 6* | 7 | 8* | 9 | 10 | 11 | 12 | 13 | 14* | 15 |
| | | AA25 | ddr1_d14 | | | | | | | | | | | | | | | |
| | | AD13 | hdmi1_data1y | | | | | | | | | | | | | | | |
| | | AB9 | ljcb_clkn | | | | | | | | | | | | | | | |
| | | AC25 | ddr1_d12 | | | | | | | | | | | | | | | |
| | | U22 | ddr1_d21 | | | | | | | | | | | | | | | |
| | | AB23 | ddr1_d4 | | | | | | | | | | | | | | | |
| | | AB24 | ddr1_d2 | | | | | | | | | | | | | | | |
| | | AE16 | ddr1_ba0 | | | | | | | | | | | | | | | |
| | | T22 | ddr1_d20 | | | | | | | | | | | | | | | |
| | | T21 | ddr1_d23 | | | | | | | | | | | | | | | |
| | | AB19 | ddr1_a3 | | | | | | | | | | | | | | | |
| | | AE24 | ddr1_d7 | | | | | | | | | | | | | | | |
| | | AC15 | ddr1_a13 | | | | | | | | | | | | | | | |
| | | AC21 | ddr1_a11 | | | | | | | | | | | | | | | |
| | | AD17 | ddr1_rasn | | | | | | | | | | | | | | | |
| | | AB12 | xo_osc0 | | | | | | | | | | | | | | | |
| | | AD23 | ddr1_d6 | | | | | | | | | | | | | | | |
| | | AD9 | pcie_txp0 | | | | | | | | | | | | | | | |
| | | V24 | ddr1_dqs2 | | | | | | | | | | | | | | | |
| | | U1 | mlbp_clk_n | | | | | | | | | | | | | | | |
| | | U23 | ddr1_d22 | | | | | | | | | | | | | | | |
| | | T1 | mlbp_dat_n | | | | | | | | | | | | | | | |
| | | AC22 | ddr1_a12 | | | | | | | | | | | | | | | |
| | | AD24 | ddr1_d3 | | | | | | | | | | | | | | | |
| | | AC8 | ljcb_clkp | | | | | | | | | | | | | | | |
| | | AE21 | ddr1_nck | | | | | | | | | | | | | | | |
| | | Y20 | ddr1_vref0 | | | | | | | | | | | | | | | |
| | | AD7 | pcie_rxp0 | | | | | | | | | | | | | | | |
| | | T2 | mlbp_dat_p | | | | | | | | | | | | | | | |
| | | AE23 | ddr1_dqm0 | | | | | | | | | | | | | | | |
| | | AD21 | ddr1_ck | | | | | | | | | | | | | | | |
| | | Y25 | ddr1_dqsn1 | | | | | | | | | | | | | | | |
| | | AA11 | xo_osc1 | | | | | | | | | | | | | | | |
| | | AE17 | ddr1_rst | | | | | | | | | | | | | | | |
| | | W22 | ddr1_dqm1 | | | | | | | | | | | | | | | |
| | | AE12 | hdmi1_data1x | | | | | | | | | | | | | | | |
| | | AE14 | hdmi1_data2x | | | | | | | | | | | | | | | |

Table 4-31. Pin Multiplexing (continued)

| ADDRESS | REGISTER NAME | BALL NUMBER | MUXMODE FIELD SETTINGS (CTRL_CORE_PAD_[3:0]) | | | | | | | | | | | | | | | |
|---------|---------------|-------------|--|-----------|---|----|----|----|----|---|----|---|----|----|----|----|-----|----|
| | | | 0 | 1 | 2 | 3* | 4* | 5* | 6* | 7 | 8* | 9 | 10 | 11 | 12 | 13 | 14* | 15 |
| | | AB2 | csi2_0_dy0 | | | | | | | | | | | | | | | |
| | | AB18 | ddr1_cke | | | | | | | | | | | | | | | |
| | | AB6 | usb2_dp | | | | | | | | | | | | | | | |
| | | AC1 | csi2_0_dx0 | | | | | | | | | | | | | | | |
| | | AE8 | pcie_txn0 | | | | | | | | | | | | | | | |
| | | AC19 | ddr1_csn0 | | | | | | | | | | | | | | | |
| | | AA21 | ddr1_a10 | | | | | | | | | | | | | | | |
| | | AE6 | pcie_rxn0 | | | | | | | | | | | | | | | |
| | | AB7 | usb1_dm | | | | | | | | | | | | | | | |
| | | F19 | porz | | | | | | | | | | | | | | | |
| | | W25 | ddr1_d9 | | | | | | | | | | | | | | | |
| | | P24 | ddr1_d31 | | | | | | | | | | | | | | | |
| | | AD22 | ddr1_dqs0 | | | | | | | | | | | | | | | |
| | | P22 | ddr1_d29 | | | | | | | | | | | | | | | |
| | | U24 | ddr1_d18 | | | | | | | | | | | | | | | |
| | | AD2 | csi2_0_dy2 | | | | | | | | | | | | | | | |
| | | AE18 | ddr1_wen | | | | | | | | | | | | | | | |
| | | AE20 | ddr1_a5 | | | | | | | | | | | | | | | |
| | | W24 | ddr1_d15 | | | | | | | | | | | | | | | |
| | | T24 | ddr1_d26 | | | | | | | | | | | | | | | |
| | | R24 | ddr1_dqs3 | | | | | | | | | | | | | | | |
| | | AD15 | hdmi1_data2y | | | | | | | | | | | | | | | |
| | | AE22 | ddr1_dqsn0 | | | | | | | | | | | | | | | |
| | | AA18 | ddr1_a6 | | | | | | | | | | | | | | | |
| | | U2 | mlbp_clk_p | | | | | | | | | | | | | | | |
| | | AC2 | csi2_0_dy1 | | | | | | | | | | | | | | | |
| | | AD12 | hdmi1_data0y | | | | | | | | | | | | | | | |
| | | T23 | ddr1_d24 | | | | | | | | | | | | | | | |
| | | AD10 | hdmi1_clocky | | | | | | | | | | | | | | | |
| | | AE5 | usb_rxn0 | pcie_rxn1 | | | | | | | | | | | | | | |
| | | AE2 | csi2_0_dx2 | | | | | | | | | | | | | | | |
| | | P23 | ddr1_d30 | | | | | | | | | | | | | | | |
| | | AC5 | usb2_dm | | | | | | | | | | | | | | | |
| | | AC23 | ddr1_d5 | | | | | | | | | | | | | | | |
| | | AD19 | ddr1_a2 | | | | | | | | | | | | | | | |
| | | AC16 | ddr1_a15 | | | | | | | | | | | | | | | |
| | | AD25 | ddr1_d11 | | | | | | | | | | | | | | | |

Table 4-31. Pin Multiplexing (continued)

| ADDRESS | REGISTER NAME | BALL NUMBER | MUXMODE FIELD SETTINGS (CTRL_CORE_PAD_*[3:0]) | | | | | | | | | | | | | | | |
|---------|------------------------|-------------|---|-------------|---------------|--------------|----|---------|---------------|-----------|------------|----------|----|----|----|----|----------|------------|
| | | | 0 | 1 | 2 | 3* | 4* | 5* | 6* | 7 | 8* | 9 | 10 | 11 | 12 | 13 | 14* | 15 |
| 0x145C | CTRL_CORE_PAD_GPMC_A7 | K1 | gpmc_a7 | | vin1a_d23 | vout3_d23 | | | vin1b_d7 | uart8_txd | uart6_rtsn | | | | | | gpio1_29 | Driver off |
| 0x1460 | CTRL_CORE_PAD_GPMC_A8 | K4 | gpmc_a8 | | vin1a_hsyn_c0 | vout3_hsyn_c | | | vin1b_hsyn_c1 | timer12 | spi4_sclk | | | | | | gpio1_30 | Driver off |
| 0x1464 | CTRL_CORE_PAD_GPMC_A9 | H1 | gpmc_a9 | | vin1a_vsyn_c0 | vout3_vsyn_c | | | vin1b_vsyn_c1 | timer11 | spi4_d1 | | | | | | gpio1_31 | Driver off |
| 0x1468 | CTRL_CORE_PAD_GPMC_A10 | J2 | gpmc_a10 | | vin1a_de0 | vout3_de | | | vin1b_clk1 | timer10 | spi4_d0 | | | | | | gpio2_0 | Driver off |
| 0x146C | CTRL_CORE_PAD_GPMC_A11 | L3 | gpmc_a11 | | vin1a_fld0 | vout3_fld | | | vin1b_de1 | timer9 | spi4_cs0 | | | | | | gpio2_1 | Driver off |
| 0x1470 | CTRL_CORE_PAD_GPMC_A12 | G1 | gpmc_a12 | | | | | gpmc_a0 | vin1b_fld1 | timer8 | spi4_cs1 | dma_evt1 | | | | | gpio2_2 | Driver off |
| 0x1474 | CTRL_CORE_PAD_GPMC_A13 | H3 | gpmc_a13 | qspi1_rtclk | | | | | | timer7 | spi4_cs2 | dma_evt2 | | | | | gpio2_3 | Driver off |
| 0x1478 | CTRL_CORE_PAD_GPMC_A14 | H4 | gpmc_a14 | qspi1_d3 | | | | | | timer6 | spi4_cs3 | | | | | | gpio2_4 | Driver off |
| 0x147C | CTRL_CORE_PAD_GPMC_A15 | K6 | gpmc_a15 | qspi1_d2 | | | | | | timer5 | | | | | | | gpio2_5 | Driver off |
| 0x1480 | CTRL_CORE_PAD_GPMC_A16 | K5 | gpmc_a16 | qspi1_d0 | | | | | | | | | | | | | gpio2_6 | Driver off |
| 0x1484 | CTRL_CORE_PAD_GPMC_A17 | G2 | gpmc_a17 | qspi1_d1 | | | | | | | | | | | | | gpio2_7 | Driver off |
| 0x1488 | CTRL_CORE_PAD_GPMC_A18 | F2 | gpmc_a18 | qspi1_sclk | | | | | | | | | | | | | gpio2_8 | Driver off |
| 0x148C | CTRL_CORE_PAD_GPMC_A19 | A4 | gpmc_a19 | mmc2_dat4 | gpmc_a13 | | | | vin2b_d0 | | | | | | | | gpio2_9 | Driver off |
| 0x1490 | CTRL_CORE_PAD_GPMC_A20 | E7 | gpmc_a20 | mmc2_dat5 | gpmc_a14 | | | | vin2b_d1 | | | | | | | | gpio2_10 | Driver off |
| 0x1494 | CTRL_CORE_PAD_GPMC_A21 | D6 | gpmc_a21 | mmc2_dat6 | gpmc_a15 | | | | vin2b_d2 | | | | | | | | gpio2_11 | Driver off |
| 0x1498 | CTRL_CORE_PAD_GPMC_A22 | C5 | gpmc_a22 | mmc2_dat7 | gpmc_a16 | | | | vin2b_d3 | | | | | | | | gpio2_12 | Driver off |
| 0x149C | CTRL_CORE_PAD_GPMC_A23 | B5 | gpmc_a23 | mmc2_clk | gpmc_a17 | | | | vin2b_d4 | | | | | | | | gpio2_13 | Driver off |
| 0x14A0 | CTRL_CORE_PAD_GPMC_A24 | D7 | gpmc_a24 | mmc2_dat0 | gpmc_a18 | | | | vin2b_d5 | | | | | | | | gpio2_14 | Driver off |
| 0x14A4 | CTRL_CORE_PAD_GPMC_A25 | C6 | gpmc_a25 | mmc2_dat1 | gpmc_a19 | | | | vin2b_d6 | | | | | | | | gpio2_15 | Driver off |
| 0x14A8 | CTRL_CORE_PAD_GPMC_A26 | A5 | gpmc_a26 | mmc2_dat2 | gpmc_a20 | | | | vin2b_d7 | | | | | | | | gpio2_16 | Driver off |
| 0x14AC | CTRL_CORE_PAD_GPMC_A27 | B6 | gpmc_a27 | mmc2_dat3 | gpmc_a21 | | | | vin2b_hsyn_c1 | | | | | | | | gpio2_17 | Driver off |
| 0x14B0 | CTRL_CORE_PAD_GPMC_CS1 | A6 | gpmc_cs1 | mmc2_cmd | gpmc_a22 | | | | vin2b_vsyn_c1 | | | | | | | | gpio2_18 | Driver off |
| 0x14B4 | CTRL_CORE_PAD_GPMC_CS0 | F3 | gpmc_cs0 | | | | | | | | | | | | | | gpio2_19 | Driver off |

Table 4-31. Pin Multiplexing (continued)

| ADDRESS | REGISTER NAME | BALL NUMBER | MUXMODE FIELD SETTINGS (CTRL_CORE_PAD_*[3:0]) | | | | | | | | | | | | | | | |
|---------|------------------------------|-------------|---|------------|---------------|--------------|------------|---------|------------|------------|-------------|----------|------------------------|-----------------------------|--------------------|---------------------|----------------------------------|------------|
| | | | 0 | 1 | 2 | 3* | 4* | 5* | 6* | 7 | 8* | 9 | 10 | 11 | 12 | 13 | 14* | 15 |
| 0x14B8 | CTRL_CORE_PAD_GPMC_CS2 | G4 | gpmc_cs2 | qspi1_cs0 | | | | | | | | | | | | | gpio2_20 gpmc_a23 gpmc_a13 | Driver off |
| 0x14BC | CTRL_CORE_PAD_GPMC_CS3 | G3 | gpmc_cs3 | qspi1_cs1 | vin1a_clk0 | vout3_clk | | gpmc_a1 | | | | | | | | | gpio2_21 gpmc_a24 gpmc_a14 | Driver off |
| 0x14C0 | CTRL_CORE_PAD_GPMC_CLK | L4 | gpmc_clk | gpmc_cs7 | clkout1 | gpmc_wait1 | | | vin2b_clk1 | timer4 | i2c3_scl | dma_evt1 | | | | | gpio2_22 gpmc_a20 | Driver off |
| 0x14C4 | CTRL_CORE_PAD_GPMC_ADVْنَALE | H5 | gpmc_advn_ale | gpmc_cs6 | clkout2 | gpmc_wait1 | | gpmc_a2 | gpmc_a23 | timer3 | i2c3_sda | dma_evt2 | | | | | gpio2_23 gpmc_a19 | Driver off |
| 0x14C8 | CTRL_CORE_PAD_GPMC_OEN_REN | G5 | gpmc_oen_ren | | | | | | | | | | | | | | gpio2_24 | Driver off |
| 0x14CC | CTRL_CORE_PAD_GPMC_WEN | G6 | gpmc_wen | | | | | | | | | | | | | | gpio2_25 | Driver off |
| 0x14D0 | CTRL_CORE_PAD_GPMC_BEN0 | H2 | gpmc_ben0 | gpmc_cs4 | | | | | vin2b_de1 | timer2 | | dma_evt3 | | | | | gpio2_26 gpmc_a21 | Driver off |
| 0x14D4 | CTRL_CORE_PAD_GPMC_BEN1 | H6 | gpmc_ben1 | gpmc_cs5 | | | vin2b_clk1 | gpmc_a3 | vin2b_fld1 | timer1 | | dma_evt4 | | | | | gpio2_27 gpmc_a22 | Driver off |
| 0x14D8 | CTRL_CORE_PAD_GPMC_WAIT0 | F6 | gpmc_wait0 | | | | | | | | | | | | | | gpio2_28 gpmc_a25 gpmc_a15 | Driver off |
| 0x1554 | CTRL_CORE_PAD_VIN2A_CLK0 | D8 | vin2a_clk0 | | | | vout2_fld | emu5 | | | | kbd_row0 | eQEP1A_in | | pr1_edio_d_ata_in0 | pr1_edio_d_ata_out0 | gpio3_28 gpmc_a27 gpmc_a17 | Driver off |
| 0x1558 | CTRL_CORE_PAD_VIN2A_DE0 | B7 | vin2a_de0 | vin2a_fld0 | vin2b_fld1 | vin2b_de1 | vout2_de | emu6 | | | | kbd_row1 | eQEP1B_in | | pr1_edio_d_ata_in1 | pr1_edio_d_ata_out1 | gpio3_29 | Driver off |
| 0x155C | CTRL_CORE_PAD_VIN2A_FLD0 | C7 | vin2a_fld0 | | vin2b_clk1 | | vout2_clk | emu7 | | | | | eQEP1_ind_ex | | pr1_edio_d_ata_in2 | pr1_edio_d_ata_out2 | gpio3_30 gpmc_a27 gpmc_a18 | Driver off |
| 0x1560 | CTRL_CORE_PAD_VIN2A_HSYNCO | E8 | vin2a_hsyn_c0 | | vin2b_hsyn_c1 | vout2_hsyn_c | emu8 | | | uart9_rxd | spi4_sclk | kbd_row2 | eQEP1_str_obe | pr1_uart0_cts_n | pr1_edio_d_ata_in3 | pr1_edio_d_ata_out3 | gpio3_31 gpmc_a27 | Driver off |
| 0x1564 | CTRL_CORE_PAD_VIN2A_VSYNCO | B8 | vin2a_vsyn_c0 | | vin2b_vsyn_c1 | vout2_vsyn_c | emu9 | | | uart9_txd | spi4_d1 | kbd_row3 | ehrpwm1A | pr1_uart0_rts_n | pr1_edio_d_ata_in4 | pr1_edio_d_ata_out4 | gpio4_0 | Driver off |
| 0x1568 | CTRL_CORE_PAD_VIN2A_D0 | C8 | vin2a_d0 | | | vout2_d23 | emu10 | | | uart9_ctsn | spi4_d0 | kbd_row4 | ehrpwm1B | pr1_uart0_rxd | pr1_edio_d_ata_in5 | pr1_edio_d_ata_out5 | gpio4_1 | Driver off |
| 0x156C | CTRL_CORE_PAD_VIN2A_D1 | B9 | vin2a_d1 | | | vout2_d22 | emu11 | | | uart9_rtsn | spi4_cs0 | kbd_row5 | ehrpwm1_tripzone_input | pr1_uart0_txd | pr1_edio_d_ata_in6 | pr1_edio_d_ata_out6 | gpio4_2 | Driver off |
| 0x1570 | CTRL_CORE_PAD_VIN2A_D2 | A7 | vin2a_d2 | | | vout2_d21 | emu12 | | | | uart10_rxd | kbd_row6 | eCAP1_in_PWM1_out | pr1_ecap0_ecap_capin_apwm_o | pr1_edio_d_ata_in7 | pr1_edio_d_ata_out7 | gpio4_3 | Driver off |
| 0x1574 | CTRL_CORE_PAD_VIN2A_D3 | A9 | vin2a_d3 | | | vout2_d20 | emu13 | | | | uart10_txd | kbd_col0 | ehrpwm1_synci | pr1_edc_lat_ch0_in | pr1_pru1_g_pi0 | pr1_pru1_g_po0 | gpio4_4 | Driver off |
| 0x1578 | CTRL_CORE_PAD_VIN2A_D4 | A8 | vin2a_d4 | | | vout2_d19 | emu14 | | | | uart10_ctsn | kbd_col1 | ehrpwm1_syncno | pr1_edc_sync0_out | pr1_pru1_g_pi1 | pr1_pru1_g_po1 | gpio4_5 | Driver off |
| 0x157C | CTRL_CORE_PAD_VIN2A_D5 | A11 | vin2a_d5 | | | vout2_d18 | emu15 | | | | uart10_rtsn | kbd_col2 | eQEP2A_in_of | pr1_edio_s_pi2 | pr1_pru1_g_pi2 | pr1_pru1_g_po2 | gpio4_6 | Driver off |

Table 4-31. Pin Multiplexing (continued)

| ADDRESS | REGISTER NAME | BALL NUMBER | MUXMODE FIELD SETTINGS (CTRL_CORE_PAD_*[3:0]) | | | | | | | | | | | | | | | | |
|---------|-------------------------|-------------|---|------------|----------|--------------|------------|------------|----|---|----|-------------|----------|------------------------|-----------------|----------------|----------------|----------|------------|
| | | | 0 | 1 | 2 | 3* | 4* | 5* | 6* | 7 | 8* | 9 | 10 | 11 | 12 | 13 | 14* | 15 | |
| 0x1580 | CTRL_CORE_PAD_VIN2A_D6 | F10 | vin2a_d6 | | | | vout2_d17 | emu16 | | | | mii1_rxd1 | kbd_col3 | eQEP2B_in | pr1_mii_mt1_clk | pr1_pru1_gpi3 | pr1_pru1_gpo3 | gpio4_7 | Driver off |
| 0x1584 | CTRL_CORE_PAD_VIN2A_D7 | A10 | vin2a_d7 | | | | vout2_d16 | emu17 | | | | mii1_rxd2 | kbd_col4 | eQEP2_inden | pr1_mii1_txpi4 | pr1_pru1_gpi4 | pr1_pru1_gpo4 | gpio4_8 | Driver off |
| 0x1588 | CTRL_CORE_PAD_VIN2A_D8 | B10 | vin2a_d8 | | | | vout2_d15 | emu18 | | | | mii1_rxd3 | kbd_col5 | eQEP2_strobe | pr1_mii1_txpi5 | pr1_pru1_gpi5 | pr1_pru1_gpo5 | gpio4_9 | Driver off |
| 0x158C | CTRL_CORE_PAD_VIN2A_D9 | E10 | vin2a_d9 | | | | vout2_d14 | emu19 | | | | mii1_rxd0 | kbd_col6 | ehrpwm2A | pr1_mii1_txpi6 | pr1_pru1_gpi6 | pr1_pru1_gpo6 | gpio4_10 | Driver off |
| 0x1590 | CTRL_CORE_PAD_VIN2A_D10 | D10 | vin2a_d10 | | | mdio_mclk | vout2_d13 | | | | | | kbd_col7 | ehrpwm2B | pr1_mdio_mdclk | pr1_pru1_gpi7 | pr1_pru1_gpo7 | gpio4_11 | Driver off |
| 0x1594 | CTRL_CORE_PAD_VIN2A_D11 | C10 | vin2a_d11 | | | mdio_d | vout2_d12 | | | | | | kbd_row7 | ehrpwm2_tripzone_input | pr1_mdio_data | pr1_pru1_gpi8 | pr1_pru1_gpo8 | gpio4_12 | Driver off |
| 0x1598 | CTRL_CORE_PAD_VIN2A_D12 | B11 | vin2a_d12 | | | rgmii1_txc | vout2_d11 | | | | | mii1_rxcclk | kbd_col8 | eCAP2_in_PWM2_out | pr1_mii1_txpi9 | pr1_pru1_gpi9 | pr1_pru1_gpo9 | gpio4_13 | Driver off |
| 0x159C | CTRL_CORE_PAD_VIN2A_D13 | D11 | vin2a_d13 | | | rgmii1_txccl | vout2_d10 | | | | | mii1_rxdv | kbd_row8 | eQEP3A_in | pr1_mii1_txpi10 | pr1_pru1_gpi10 | pr1_pru1_gpo10 | gpio4_14 | Driver off |
| 0x15A0 | CTRL_CORE_PAD_VIN2A_D14 | C11 | vin2a_d14 | | | rgmii1_txd3 | vout2_d9 | | | | | mii1_txcclk | | eQEP3B_in | pr1_mii_mr1_clk | pr1_pru1_gpi11 | pr1_pru1_gpo11 | gpio4_15 | Driver off |
| 0x15A4 | CTRL_CORE_PAD_VIN2A_D15 | B12 | vin2a_d15 | | | rgmii1_txd2 | vout2_d8 | | | | | mii1_txd0 | | eQEP3_index | pr1_mii1_rxdv | pr1_pru1_gpi12 | pr1_pru1_gpo12 | gpio4_16 | Driver off |
| 0x15A8 | CTRL_CORE_PAD_VIN2A_D16 | A12 | vin2a_d16 | | vin2b_d7 | rgmii1_txd1 | vout2_d7 | | | | | mii1_txd1 | | eQEP3_strobe | pr1_mii1_rxd3 | pr1_pru1_gpi13 | pr1_pru1_gpo13 | gpio4_24 | Driver off |
| 0x15AC | CTRL_CORE_PAD_VIN2A_D17 | A13 | vin2a_d17 | | vin2b_d6 | rgmii1_txd0 | vout2_d6 | | | | | mii1_txd2 | | ehrpwm3A | pr1_mii1_rxd2 | pr1_pru1_gpi14 | pr1_pru1_gpo14 | gpio4_25 | Driver off |
| 0x15B0 | CTRL_CORE_PAD_VIN2A_D18 | E11 | vin2a_d18 | | vin2b_d5 | rgmii1_rxc | vout2_d5 | | | | | mii1_txd3 | | ehrpwm3B | pr1_mii1_rxd1 | pr1_pru1_gpi15 | pr1_pru1_gpo15 | gpio4_26 | Driver off |
| 0x15B4 | CTRL_CORE_PAD_VIN2A_D19 | F11 | vin2a_d19 | | vin2b_d4 | rgmii1_rxccl | vout2_d4 | | | | | mii1_txer | | ehrpwm3_tripzone_input | pr1_mii1_rxd0 | pr1_pru1_gpi16 | pr1_pru1_gpo16 | gpio4_27 | Driver off |
| 0x15B8 | CTRL_CORE_PAD_VIN2A_D20 | B13 | vin2a_d20 | | vin2b_d3 | rgmii1_rxd3 | vout2_d3 | | | | | mii1_rxer | | eCAP3_in_PWM3_out | pr1_mii1_rxi17 | pr1_pru1_gpi17 | pr1_pru1_gpo17 | gpio4_28 | Driver off |
| 0x15BC | CTRL_CORE_PAD_VIN2A_D21 | E13 | vin2a_d21 | | vin2b_d2 | rgmii1_rxd2 | vout2_d2 | | | | | mii1_col | | | pr1_mii1_rlink | pr1_pru1_gpi18 | pr1_pru1_gpo18 | gpio4_29 | Driver off |
| 0x15C0 | CTRL_CORE_PAD_VIN2A_D22 | C13 | vin2a_d22 | | vin2b_d1 | rgmii1_rxd1 | vout2_d1 | | | | | mii1_crs | | | pr1_mii1_col | pr1_pru1_gpi19 | pr1_pru1_gpo19 | gpio4_30 | Driver off |
| 0x15C4 | CTRL_CORE_PAD_VIN2A_D23 | D13 | vin2a_d23 | | vin2b_d0 | rgmii1_rxd0 | vout2_d0 | | | | | mii1_txen | | | pr1_mii1_crs | pr1_pru1_gpi20 | pr1_pru1_gpo20 | gpio4_31 | Driver off |
| 0x15E4 | CTRL_CORE_PAD_VOUT1_D2 | E14 | | | emu2 | | | | | | | | | | | | | | |
| 0x1604 | CTRL_CORE_PAD_VOUT1_D10 | F14 | | | emu3 | | | | | | | | | | | | | | |
| 0x1624 | CTRL_CORE_PAD_VOUT1_D18 | F13 | | | emu4 | | | | | | | | | | | | | | |
| 0x163C | CTRL_CORE_PAD_MDIO_MCLK | L5 | mdio_mclk | uart3_rtsn | | mii0_col | vin2a_clk0 | vin1b_clk1 | | | | | | | pr1_mii0_col | pr2_pru1_gpi0 | pr2_pru1_gpo0 | gpio5_15 | Driver off |
| 0x1640 | CTRL_CORE_PAD_MDIO_D | L6 | mdio_d | uart3_ctsn | | mii0_txer | vin2a_d0 | vin1b_d0 | | | | | | | pr1_mii0_rlink | pr2_pru1_gpi1 | pr2_pru1_gpo1 | gpio5_16 | Driver off |

Table 4-31. Pin Multiplexing (continued)

| ADDRESS | REGISTER NAME | BALL NUMBER | MUXMODE FIELD SETTINGS (CTRL_CORE_PAD_*[3:0]) | | | | | | | | | | | | | | | | |
|---------|-------------------------------|-------------|---|--------------|-------------|---------------|---------------|--------------|----|------------|------------|----------|---------|--------------|-----------------|----------------|----------------|------------|------------|
| | | | 0 | 1 | 2 | 3* | 4* | 5* | 6* | 7 | 8* | 9 | 10 | 11 | 12 | 13 | 14* | 15 | |
| 0x1644 | CTRL_CORE_PAD_RMII_MHZ_50_CLK | P5 | RMII_MHZ_50_CLK | | | | vin2a_d11 | | | | | | | | | pr2_pru1_gpi2 | pr2_pru1_gpo2 | gpio5_17 | Driver off |
| 0x1648 | CTRL_CORE_PAD_UART3_RXD | N5 | uart3_rxd | | rmii1_crs | mii0_rxdv | vin2a_d1 | vin1b_d1 | | spi3_sclk | | | | | pr1_mii0_rxdv | pr2_pru1_gpi3 | pr2_pru1_gpo3 | gpio5_18 | Driver off |
| 0x164C | CTRL_CORE_PAD_UART3_TXD | N6 | uart3_txd | | rmii1_rxer | mii0_rxcclk | vin2a_d2 | vin1b_d2 | | spi3_d1 | spi4_cs1 | | | | pr1_mii_mr0_clk | pr2_pru1_gpi4 | pr2_pru1_gpo4 | gpio5_19 | Driver off |
| 0x1650 | CTRL_CORE_PAD_RGMII0_TXC | T4 | rgmii0_txc | uart3_ctsn | rmii1_rxd1 | mii0_rxd3 | vin2a_d3 | vin1b_d3 | | spi3_d0 | spi4_cs2 | | | | pr1_mii0_rxd3 | pr2_pru1_gpi5 | pr2_pru1_gpo5 | gpio5_20 | Driver off |
| 0x1654 | CTRL_CORE_PAD_RGMII0_TXCTL | T5 | rgmii0_txctl | uart3_rtsn | rmii1_rxd0 | mii0_rxd2 | vin2a_d4 | vin1b_d4 | | spi3_cs0 | spi4_cs3 | | | | pr1_mii0_rxd2 | pr2_pru1_gpi6 | pr2_pru1_gpo6 | gpio5_21 | Driver off |
| 0x1658 | CTRL_CORE_PAD_RGMII0_TXD3 | P4 | rgmii0_txd3 | rmii0_crs | | mii0_crs | vin2a_de0 | vin1b_de1 | | spi4_sclk | uart4_rxd | | | | pr1_mii0_crs | pr2_pru1_gpi7 | pr2_pru1_gpo7 | gpio5_22 | Driver off |
| 0x165C | CTRL_CORE_PAD_RGMII0_TXD2 | P3 | rgmii0_txd2 | rmii0_rxer | | mii0_rxer | vin2a_hsync0 | vin1b_hsync1 | | spi4_d1 | uart4_txd | | | | pr1_mii0_rxd1 | pr2_pru1_gpi8 | pr2_pru1_gpo8 | gpio5_23 | Driver off |
| 0x1660 | CTRL_CORE_PAD_RGMII0_TXD1 | R2 | rgmii0_txd1 | rmii0_rxd1 | | mii0_rxd1 | vin2a_vsync0 | vin1b_vsync1 | | spi4_d0 | uart4_ctsn | | | | pr1_mii0_rxd1 | pr2_pru1_gpi9 | pr2_pru1_gpo9 | gpio5_24 | Driver off |
| 0x1664 | CTRL_CORE_PAD_RGMII0_TXD0 | R1 | rgmii0_txd0 | rmii0_rxd0 | | mii0_rxd0 | vin2a_d10 | | | spi4_cs0 | uart4_rtsn | | | | pr1_mii0_rxd0 | pr2_pru1_gpi10 | pr2_pru1_gpo10 | gpio5_25 | Driver off |
| 0x1668 | CTRL_CORE_PAD_RGMII0_RXC | N2 | rgmii0_rxc | | rmii1_txen | mii0_txcclk | vin2a_d5 | vin1b_d5 | | | | | | | pr1_mii_mt0_clk | pr2_pru1_gpi11 | pr2_pru1_gpo11 | gpio5_26 | Driver off |
| 0x166C | CTRL_CORE_PAD_RGMII0_RXCTL | P2 | rgmii0_rxctl | | rmii1_txd1 | mii0_txd3 | vin2a_d6 | vin1b_d6 | | | | | | | pr1_mii0_txd3 | pr2_pru1_gpi12 | pr2_pru1_gpo12 | gpio5_27 | Driver off |
| 0x1670 | CTRL_CORE_PAD_RGMII0_RXD3 | N1 | rgmii0_rxd3 | | rmii1_txd0 | mii0_txd2 | vin2a_d7 | vin1b_d7 | | | | | | | pr1_mii0_txd2 | pr2_pru1_gpi13 | pr2_pru1_gpo13 | gpio5_28 | Driver off |
| 0x1674 | CTRL_CORE_PAD_RGMII0_RXD2 | P1 | rgmii0_rxd2 | rmii0_txen | | mii0_txen | vin2a_d8 | | | | | | | | pr1_mii0_txen | pr2_pru1_gpi14 | pr2_pru1_gpo14 | gpio5_29 | Driver off |
| 0x1678 | CTRL_CORE_PAD_RGMII0_RXD1 | N3 | rgmii0_rxd1 | rmii0_txd1 | | mii0_txd1 | vin2a_d9 | | | | | | | | pr1_mii0_txd1 | pr2_pru1_gpi15 | pr2_pru1_gpo15 | gpio5_30 | Driver off |
| 0x167C | CTRL_CORE_PAD_RGMII0_RXD0 | N4 | rgmii0_rxd0 | rmii0_txd0 | | mii0_txd0 | vin2a_fld0 | vin1b_fld1 | | | | | | | pr1_mii0_txd0 | pr2_pru1_gpi16 | pr2_pru1_gpo16 | gpio5_31 | Driver off |
| 0x1680 | CTRL_CORE_PAD_USB1_DRVBUS | AD3 | usb1_drvvbus | | | | | | | timer16 | | | | | | | | gpio6_12 | Driver off |
| 0x1684 | CTRL_CORE_PAD_USB2_DRVBUS | AA6 | usb2_drvvbus | | | | | | | timer15 | | | | | | | | gpio6_13 | Driver off |
| 0x1688 | CTRL_CORE_PAD_GPIO6_14 | H21 | gpio6_14 | mcasp1_axr8 | dcan2_tx | uart10_rxd | | | | | | i2c3_sda | timer1 | | | | | gpio6_14 | Driver off |
| 0x168C | CTRL_CORE_PAD_GPIO6_15 | K22 | gpio6_15 | mcasp1_axr9 | dcan2_rx | uart10_txd | | | | | | i2c3_scl | timer2 | | | | | gpio6_15 | Driver off |
| 0x1690 | CTRL_CORE_PAD_GPIO6_16 | K23 | gpio6_16 | mcasp1_axr10 | | | | | | | | clkout1 | timer3 | | | | | gpio6_16 | Driver off |
| 0x1694 | CTRL_CORE_PAD_XREF_CLK0 | J25 | xref_clk0 | mcasp2_axr8 | mcasp1_axr4 | mcasp1_ahclkx | mcasp5_ahclkx | | | vin1a_d0 | hdq0 | clkout2 | timer13 | pr2_mii1_col | pr2_pru1_gpi5 | pr2_pru1_gpo5 | gpio6_17 | Driver off | |
| 0x1698 | CTRL_CORE_PAD_XREF_CLK1 | J24 | xref_clk1 | mcasp2_axr9 | mcasp1_axr5 | mcasp2_ahclkx | mcasp6_ahclkx | | | vin1a_clk0 | | | timer14 | pr2_mii1_crs | pr2_pru1_gpi6 | pr2_pru1_gpo6 | gpio6_18 | Driver off | |
| 0x169C | CTRL_CORE_PAD_XREF_CLK2 | H24 | xref_clk2 | mcasp2_axr10 | mcasp1_axr6 | mcasp3_ahclkx | mcasp7_ahclkx | | | | | | timer15 | | | | | gpio6_19 | Driver off |

Table 4-31. Pin Multiplexing (continued)

| ADDRESS | REGISTER NAME | BALL NUMBER | MUXMODE FIELD SETTINGS (CTRL_CORE_PAD_*[3:0]) | | | | | | | | | | | | | | | |
|---------|----------------------------|-------------|---|--------------|--------------|---------------|---------------|----|----|---|--------------|---|----------|----------------|----------------|----------------|----------|------------|
| | | | 0 | 1 | 2 | 3* | 4* | 5* | 6* | 7 | 8* | 9 | 10 | 11 | 12 | 13 | 14* | 15 |
| 0x16A0 | CTRL_CORE_PAD_XREF_CLK3 | H25 | xref_clk3 | mcasp2_axr11 | mcasp1_axr7 | mcasp4_ahclkx | mcasp8_ahclkx | | | | hdq0 | | clkout3 | timer16 | | | gpio6_20 | Driver off |
| 0x16A4 | CTRL_CORE_PAD_MCASP1_ACLKX | C16 | mcasp1_aclkx | | | | | | | | vin1a_fld0 | | i2c3_sda | pr2_mdio_mdclk | pr2_pru1_gpi7 | pr2_pru1_gpo7 | gpio7_31 | Driver off |
| 0x16A8 | CTRL_CORE_PAD_MCASP1_FSX | C17 | mcasp1_fsx | | | | | | | | vin1a_de0 | | i2c3_scl | pr2_mdio_data | | | gpio7_30 | Driver off |
| 0x16AC | CTRL_CORE_PAD_MCASP1_ACLKR | D16 | mcasp1_aclkr | mcasp7_axr2 | | | | | | | | | i2c4_sda | | | | gpio5_0 | Driver off |
| 0x16B0 | CTRL_CORE_PAD_MCASP1_FSR | D17 | mcasp1_fsr | mcasp7_axr3 | | | | | | | | | i2c4_scl | | | | gpio5_1 | Driver off |
| 0x16B4 | CTRL_CORE_PAD_MCASP1_AXR0 | D14 | mcasp1_axr0 | | | uart6_rxd | | | | | vin1a_vsynco | | i2c5_sda | pr2_mii0_rxer | pr2_pru1_gpi8 | pr2_pru1_gpo8 | gpio5_2 | Driver off |
| 0x16B8 | CTRL_CORE_PAD_MCASP1_AXR1 | B14 | mcasp1_axr1 | | | uart6_txd | | | | | vin1a_hsynco | | i2c5_scl | pr2_mii0_clk | pr2_pru1_gpi9 | pr2_pru1_gpo9 | gpio5_3 | Driver off |
| 0x16BC | CTRL_CORE_PAD_MCASP1_AXR2 | C14 | mcasp1_axr2 | mcasp6_axr2 | | uart6_ctsn | | | | | | | | | | | gpio5_4 | Driver off |
| 0x16C0 | CTRL_CORE_PAD_MCASP1_AXR3 | B15 | mcasp1_axr3 | mcasp6_axr3 | | uart6_rtsn | | | | | | | | | | | gpio5_5 | Driver off |
| 0x16C4 | CTRL_CORE_PAD_MCASP1_AXR4 | A15 | mcasp1_axr4 | mcasp4_axr2 | | | | | | | | | | | | | gpio5_6 | Driver off |
| 0x16C8 | CTRL_CORE_PAD_MCASP1_AXR5 | A14 | mcasp1_axr5 | mcasp4_axr3 | | | | | | | | | | | | | gpio5_7 | Driver off |
| 0x16CC | CTRL_CORE_PAD_MCASP1_AXR6 | A17 | mcasp1_axr6 | mcasp5_axr2 | | | | | | | | | | | | | gpio5_8 | Driver off |
| 0x16D0 | CTRL_CORE_PAD_MCASP1_AXR7 | A16 | mcasp1_axr7 | mcasp5_axr3 | | | | | | | | | timer4 | | | | gpio5_9 | Driver off |
| 0x16D4 | CTRL_CORE_PAD_MCASP1_AXR8 | A18 | mcasp1_axr8 | mcasp6_axr0 | | spi3_sclk | | | | | vin1a_d15 | | timer5 | pr2_mii0_txen | pr2_pru1_gpi10 | pr2_pru1_gpo10 | gpio5_10 | Driver off |
| 0x16D8 | CTRL_CORE_PAD_MCASP1_AXR9 | B17 | mcasp1_axr9 | mcasp6_axr1 | | spi3_d1 | | | | | vin1a_d14 | | timer6 | pr2_mii0_tx_d3 | pr2_pru1_gpi11 | pr2_pru1_gpo11 | gpio5_11 | Driver off |
| 0x16DC | CTRL_CORE_PAD_MCASP1_AXR10 | B16 | mcasp1_axr10 | mcasp6_aclkx | mcasp6_aclkr | spi3_d0 | | | | | vin1a_d13 | | timer7 | pr2_mii0_tx_d2 | pr2_pru1_gpi12 | pr2_pru1_gpo12 | gpio5_12 | Driver off |
| 0x16E0 | CTRL_CORE_PAD_MCASP1_AXR11 | B18 | mcasp1_axr11 | mcasp6_fsx | mcasp6_fsr | spi3_cs0 | | | | | vin1a_d12 | | timer8 | pr2_mii0_tx_d1 | pr2_pru1_gpi13 | pr2_pru1_gpo13 | gpio4_17 | Driver off |
| 0x16E4 | CTRL_CORE_PAD_MCASP1_AXR12 | A19 | mcasp1_axr12 | mcasp7_axr0 | | spi3_cs1 | | | | | vin1a_d11 | | timer9 | pr2_mii0_tx_d0 | pr2_pru1_gpi14 | pr2_pru1_gpo14 | gpio4_18 | Driver off |
| 0x16E8 | CTRL_CORE_PAD_MCASP1_AXR13 | E17 | mcasp1_axr13 | mcasp7_axr1 | | | | | | | vin1a_d10 | | timer10 | pr2_mii0_clk | pr2_pru1_gpi15 | pr2_pru1_gpo15 | gpio6_4 | Driver off |
| 0x16EC | CTRL_CORE_PAD_MCASP1_AXR14 | E16 | mcasp1_axr14 | mcasp7_aclkx | mcasp7_aclkr | | | | | | vin1a_d9 | | timer11 | pr2_mii0_rxdv | pr2_pru1_gpi16 | pr2_pru1_gpo16 | gpio6_5 | Driver off |
| 0x16F0 | CTRL_CORE_PAD_MCASP1_AXR15 | F16 | mcasp1_axr15 | mcasp7_fsx | mcasp7_fsr | | | | | | vin1a_d8 | | timer12 | pr2_mii0_rxd3 | pr2_pru0_gpi20 | pr2_pru0_gpo20 | gpio6_6 | Driver off |
| 0x16F4 | CTRL_CORE_PAD_MCASP2_ACLKX | E19 | mcasp2_aclkx | | | | | | | | vin1a_d7 | | | pr2_mii0_rxd2 | pr2_pru0_gpi18 | pr2_pru0_gpo18 | | Driver off |
| 0x16F8 | CTRL_CORE_PAD_MCASP2_FSX | D19 | mcasp2_fsx | | | | | | | | vin1a_d6 | | | pr2_mii0_rxd1 | pr2_pru0_gpi19 | pr2_pru0_gpo19 | | Driver off |
| 0x1704 | CTRL_CORE_PAD_MCASP2_AXR0 | A20 | mcasp2_axr0 | | | | | | | | | | | | | | | Driver off |

Table 4-31. Pin Multiplexing (continued)

| ADDRESS | REGISTER NAME | BALL NUMBER | MUXMODE FIELD SETTINGS (CTRL_CORE_PAD_*[3:0]) | | | | | | | | | | | | | | | | |
|---------|----------------------------|-------------|---|--------------|--------------|------------|-----------|----|----|---|----------|---|----|----|-----------------|----------------|----------------|----------|------------|
| | | | 0 | 1 | 2 | 3* | 4* | 5* | 6* | 7 | 8* | 9 | 10 | 11 | 12 | 13 | 14* | 15 | |
| 0x1708 | CTRL_CORE_PAD_MCASP2_AXR1 | B19 | mcasp2_axr1 | | | | | | | | | | | | | | | | Driver off |
| 0x170C | CTRL_CORE_PAD_MCASP2_AXR2 | A21 | mcasp2_axr2 | mcasp3_axr2 | | | | | | | vin1a_d5 | | | | pr2_mii0_rxd0 | pr2_pru0_gpi16 | pr2_pru0_gpo16 | gpio6_8 | Driver off |
| 0x1710 | CTRL_CORE_PAD_MCASP2_AXR3 | B21 | mcasp2_axr3 | mcasp3_axr3 | | | | | | | vin1a_d4 | | | | pr2_mii0_rxlink | pr2_pru0_gpi17 | pr2_pru0_gpo17 | gpio6_9 | Driver off |
| 0x1714 | CTRL_CORE_PAD_MCASP2_AXR4 | B20 | mcasp2_axr4 | mcasp8_axr0 | | | | | | | | | | | | | | gpio1_4 | Driver off |
| 0x1718 | CTRL_CORE_PAD_MCASP2_AXR5 | C19 | mcasp2_axr5 | mcasp8_axr1 | | | | | | | | | | | | | | gpio6_7 | Driver off |
| 0x171C | CTRL_CORE_PAD_MCASP2_AXR6 | D20 | mcasp2_axr6 | mcasp8_aclkr | mcasp8_aclkr | | | | | | | | | | | | | gpio2_29 | Driver off |
| 0x1720 | CTRL_CORE_PAD_MCASP2_AXR7 | C20 | mcasp2_axr7 | mcasp8_fsx | mcasp8_fsr | | | | | | | | | | | | | gpio1_5 | Driver off |
| 0x1724 | CTRL_CORE_PAD_MCASP3_ACLKX | A22 | mcasp3_aclkr | mcasp3_aclkr | mcasp2_axr12 | uart7_rxd | | | | | vin1a_d3 | | | | pr2_mii0_crs | pr2_pru0_gpi12 | pr2_pru0_gpo12 | gpio5_13 | Driver off |
| 0x1728 | CTRL_CORE_PAD_MCASP3_FSX | A23 | mcasp3_fsx | mcasp3_fsr | mcasp2_axr13 | uart7_txd | | | | | vin1a_d2 | | | | pr2_mii0_col | pr2_pru0_gpi13 | pr2_pru0_gpo13 | gpio5_14 | Driver off |
| 0x172C | CTRL_CORE_PAD_MCASP3_AXR0 | B22 | mcasp3_axr0 | | mcasp2_axr14 | uart7_ctsn | uart5_rxd | | | | vin1a_d1 | | | | pr2_mii1_rxer | pr2_pru0_gpi14 | pr2_pru0_gpo14 | | Driver off |
| 0x1730 | CTRL_CORE_PAD_MCASP3_AXR1 | B23 | mcasp3_axr1 | | mcasp2_axr15 | uart7_rtsn | uart5_txd | | | | vin1a_d0 | | | | pr2_mii1_rxlink | pr2_pru0_gpi15 | pr2_pru0_gpo15 | | Driver off |
| 0x1734 | CTRL_CORE_PAD_MCASP4_ACLKX | C23 | mcasp4_aclkr | mcasp4_aclkr | spi3_sclk | uart8_rxd | i2c4_sda | | | | | | | | | | | | Driver off |
| 0x1738 | CTRL_CORE_PAD_MCASP4_FSX | B25 | mcasp4_fsx | mcasp4_fsr | spi3_d1 | uart8_txd | i2c4_scl | | | | | | | | | | | | Driver off |
| 0x173C | CTRL_CORE_PAD_MCASP4_AXR0 | A24 | mcasp4_axr0 | | spi3_d0 | uart8_ctsn | uart4_rxd | | | | | | | | | | | | Driver off |
| 0x1740 | CTRL_CORE_PAD_MCASP4_AXR1 | D23 | mcasp4_axr1 | | spi3_cs0 | uart8_rtsn | uart4_txd | | | | | | | | | pr2_pru1_gpi0 | pr2_pru1_gpo0 | | Driver off |
| 0x1744 | CTRL_CORE_PAD_MCASP5_ACLKX | AC3 | mcasp5_aclkr | mcasp5_aclkr | spi4_sclk | uart9_rxd | i2c5_sda | | | | | | | | | pr2_pru1_gpi1 | pr2_pru1_gpo1 | | Driver off |
| 0x1748 | CTRL_CORE_PAD_MCASP5_FSX | U6 | mcasp5_fsx | mcasp5_fsr | spi4_d1 | uart9_txd | i2c5_scl | | | | | | | | | pr2_pru1_gpi2 | pr2_pru1_gpo2 | | Driver off |
| 0x174C | CTRL_CORE_PAD_MCASP5_AXR0 | AA5 | mcasp5_axr0 | | spi4_d0 | uart9_ctsn | uart3_rxd | | | | | | | | pr2_mdio_mdclk | pr2_pru1_gpi3 | pr2_pru1_gpo3 | | Driver off |
| 0x1750 | CTRL_CORE_PAD_MCASP5_AXR1 | AC4 | mcasp5_axr1 | | spi4_cs0 | uart9_rtsn | uart3_txd | | | | | | | | pr2_mdio_data | pr2_pru1_gpi4 | pr2_pru1_gpo4 | | Driver off |
| 0x1754 | CTRL_CORE_PAD_MMC1_CLK | U3 | mmc1_clk | | | | | | | | | | | | | | | gpio6_21 | Driver off |
| 0x1758 | CTRL_CORE_PAD_MMC1_CMD | V4 | mmc1_cmd | | | | | | | | | | | | | | | gpio6_22 | Driver off |
| 0x175C | CTRL_CORE_PAD_MMC1_DAT0 | V3 | mmc1_dat0 | | | | | | | | | | | | | | | gpio6_23 | Driver off |
| 0x1760 | CTRL_CORE_PAD_MMC1_DAT1 | V2 | mmc1_dat1 | | | | | | | | | | | | | | | gpio6_24 | Driver off |
| 0x1764 | CTRL_CORE_PAD_MMC1_DAT2 | W1 | mmc1_dat2 | | | | | | | | | | | | | | | gpio6_25 | Driver off |

Table 4-31. Pin Multiplexing (continued)

| ADDRESS | REGISTER NAME | BALL NUMBER | MUXMODE FIELD SETTINGS (CTRL_CORE_PAD_*[3:0]) | | | | | | | | | | | | | | | | |
|---------|-------------------------|-------------|---|-----------|-------------|-----------|---------------|-----------|-----------|---|----|---|---------------|--------------------------|------------------|------------------|------------------|------------|------------|
| | | | 0 | 1 | 2 | 3* | 4* | 5* | 6* | 7 | 8* | 9 | 10 | 11 | 12 | 13 | 14* | 15 | |
| 0x1768 | CTRL_CORE_PAD_MMC1_DAT3 | V1 | mmc1_dat3 | | | | | | | | | | | | | | gpio6_26 | Driver off | |
| 0x176C | CTRL_CORE_PAD_MMC1_SDCD | U5 | mmc1_sdc | | | uart6_rxd | i2c4_sda | | | | | | | | | | gpio6_27 | Driver off | |
| 0x1770 | CTRL_CORE_PAD_MMC1_SDWP | V5 | mmc1_sdw p | | | uart6_txd | i2c4_scl | | | | | | | | | | gpio6_28 | Driver off | |
| 0x1774 | CTRL_CORE_PAD_GPIO6_10 | Y5 | gpio6_10 | mdio_mclk | i2c3_sda | | vin2b_hsyn c1 | | | | | | vin1a_clk0 | ehrpwm2A | pr2_mii_mt 1_clk | pr2_pr_u0_g pi0 | pr2_pr_u0_g po0 | gpio6_10 | Driver off |
| 0x1778 | CTRL_CORE_PAD_GPIO6_11 | Y6 | gpio6_11 | mdio_d | i2c3_scl | | vin2b_vsyn c1 | | | | | | vin1a_de0 | ehrpwm2B | pr2_mii1_tx en | pr2_pr_u0_g pi1 | pr2_pr_u0_g po1 | gpio6_11 | Driver off |
| 0x177C | CTRL_CORE_PAD_MMC3_CLK | Y2 | mmc3_clk | | | | vin2b_d7 | | | | | | vin1a_d7 | ehrpwm2_tr ipzone_inpu t | pr2_mii1_tx d3 | pr2_pr_u0_g pi2 | pr2_pr_u0_g po2 | gpio6_29 | Driver off |
| 0x1780 | CTRL_CORE_PAD_MMC3_CMD | Y1 | mmc3_cmd | spi3_sclk | | | vin2b_d6 | | | | | | vin1a_d6 | eCAP2_in_ PWM2_out | pr2_mii1_tx d2 | pr2_pr_u0_g pi3 | pr2_pr_u0_g po3 | gpio6_30 | Driver off |
| 0x1784 | CTRL_CORE_PAD_MMC3_DAT0 | Y4 | mmc3_dat0 | spi3_d1 | uart5_rxd | | vin2b_d5 | | | | | | vin1a_d5 | eQEP3A_in | pr2_mii1_tx d1 | pr2_pr_u0_g pi4 | pr2_pr_u0_g po4 | gpio6_31 | Driver off |
| 0x1788 | CTRL_CORE_PAD_MMC3_DAT1 | AA2 | mmc3_dat1 | spi3_d0 | uart5_txd | | vin2b_d4 | | | | | | vin1a_d4 | eQEP3B_in | pr2_mii1_tx d0 | pr2_pr_u0_g pi5 | pr2_pr_u0_g po5 | gpio7_0 | Driver off |
| 0x178C | CTRL_CORE_PAD_MMC3_DAT2 | AA3 | mmc3_dat2 | spi3_cs0 | uart5_ctsn | | vin2b_d3 | | | | | | vin1a_d3 | eQEP3_ind ex | pr2_mii_mr 1_clk | pr2_pr_u0_g pi6 | pr2_pr_u0_g po6 | gpio7_1 | Driver off |
| 0x1790 | CTRL_CORE_PAD_MMC3_DAT3 | W2 | mmc3_dat3 | spi3_cs1 | uart5_rtsn | | vin2b_d2 | | | | | | vin1a_d2 | eQEP3_str obe | pr2_mii1_rx dv | pr2_pr_u0_g pi7 | pr2_pr_u0_g po7 | gpio7_2 | Driver off |
| 0x1794 | CTRL_CORE_PAD_MMC3_DAT4 | Y3 | mmc3_dat4 | spi4_sclk | uart10_rxd | | vin2b_d1 | | | | | | vin1a_d1 | ehrpwm3A | pr2_mii1_rx d3 | pr2_pr_u0_g pi8 | pr2_pr_u0_g po8 | gpio1_22 | Driver off |
| 0x1798 | CTRL_CORE_PAD_MMC3_DAT5 | AA1 | mmc3_dat5 | spi4_d1 | uart10_txd | | vin2b_d0 | | | | | | vin1a_d0 | ehrpwm3B | pr2_mii1_rx d2 | pr2_pr_u0_g pi9 | pr2_pr_u0_g po9 | gpio1_23 | Driver off |
| 0x179C | CTRL_CORE_PAD_MMC3_DAT6 | AA4 | mmc3_dat6 | spi4_d0 | uart10_ctsn | | vin2b_de1 | | | | | | vin1a_hsyn c0 | ehrpwm3_tr ipzone_inpu t | pr2_mii1_rx d1 | pr2_pr_u0_g pi10 | pr2_pr_u0_g po10 | gpio1_24 | Driver off |
| 0x17A0 | CTRL_CORE_PAD_MMC3_DAT7 | AB1 | mmc3_dat7 | spi4_cs0 | uart10_rtsn | | vin2b_clk1 | | | | | | vin1a_vsyn c0 | eCAP3_in_ PWM3_out | pr2_mii1_rx d0 | pr2_pr_u0_g pi11 | pr2_pr_u0_g po11 | gpio1_25 | Driver off |
| 0x17A4 | CTRL_CORE_PAD_SPI1_SCLK | C24 | spi1_sclk | | | | | | | | | | | | | | | gpio7_7 | Driver off |
| 0x17A8 | CTRL_CORE_PAD_SPI1_D1 | D24 | spi1_d1 | | | | | | | | | | | | | | | gpio7_8 | Driver off |
| 0x17AC | CTRL_CORE_PAD_SPI1_D0 | D25 | spi1_d0 | | | | | | | | | | | | | | | gpio7_9 | Driver off |
| 0x17B0 | CTRL_CORE_PAD_SPI1_CS0 | B24 | spi1_cs0 | | | | | | | | | | | | | | | gpio7_10 | Driver off |
| 0x17B4 | CTRL_CORE_PAD_SPI1_CS1 | C25 | spi1_cs1 | | | spi2_cs1 | | | | | | | | | | | | gpio7_11 | Driver off |
| 0x17B8 | CTRL_CORE_PAD_SPI1_CS2 | E24 | spi1_cs2 | uart4_rxd | mmc3_sdc | spi2_cs2 | dcan2_tx | mdio_mclk | hdmi1_hpd | | | | | | | | | gpio7_12 | Driver off |
| 0x17BC | CTRL_CORE_PAD_SPI1_CS3 | E25 | spi1_cs3 | uart4_txd | mmc3_sdw p | spi2_cs3 | dcan2_rx | mdio_d | hdmi1_cec | | | | | | | | | gpio7_13 | Driver off |
| 0x17C0 | CTRL_CORE_PAD_SPI2_SCLK | G25 | spi2_sclk | uart3_rxd | | | | | | | | | | | | | | gpio7_14 | Driver off |

Table 4-31. Pin Multiplexing (continued)

| ADDRESS | REGISTER NAME | BALL NUMBER | MUXMODE FIELD SETTINGS (CTRL_CORE_PAD_*[3:0]) | | | | | | | | | | | | | | | |
|---------|--------------------------|-------------|---|---------------|------------|------------|------------|------------|----|-----------|----|---|----|----|----|----|----------------------|------------|
| | | | 0 | 1 | 2 | 3* | 4* | 5* | 6* | 7 | 8* | 9 | 10 | 11 | 12 | 13 | 14* | 15 |
| 0x17C4 | CTRL_CORE_PAD_SPI2_D1 | F25 | spi2_d1 | uart3_txd | | | | | | | | | | | | | gpio7_15 | Driver off |
| 0x17C8 | CTRL_CORE_PAD_SPI2_D0 | G24 | spi2_d0 | uart3_ctsn | uart5_rxd | | | | | | | | | | | | gpio7_16 | Driver off |
| 0x17CC | CTRL_CORE_PAD_SPI2_CS0 | F24 | spi2_cs0 | uart3_rtsn | uart5_txd | | | | | | | | | | | | gpio7_17 | Driver off |
| 0x17D0 | CTRL_CORE_PAD_DCAN1_TX | H22 | dcan1_tx | | uart8_rxd | mmc2_sdccl | | | | hdmi1_hpd | | | | | | | gpio1_14 | Driver off |
| 0x17D4 | CTRL_CORE_PAD_DCAN1_RX | H23 | dcan1_rx | | uart8_txd | mmc2_sdw p | | | | hdmi1_cec | | | | | | | gpio1_15 | Driver off |
| 0x17E0 | CTRL_CORE_PAD_UART1_RXD | L25 | uart1_rxd | | | mmc4_sdccl | | | | | | | | | | | gpio7_22 | Driver off |
| 0x17E4 | CTRL_CORE_PAD_UART1_TXD | M25 | uart1_txd | | | mmc4_sdw p | | | | | | | | | | | gpio7_23 | Driver off |
| 0x17E8 | CTRL_CORE_PAD_UART1_CTSN | L20 | uart1_ctsn | | uart9_rxd | mmc4_clk | | | | | | | | | | | gpio7_24 | Driver off |
| 0x17EC | CTRL_CORE_PAD_UART1_RTSN | M24 | uart1_rtsn | | uart9_txd | mmc4_cmd | | | | | | | | | | | gpio7_25 | Driver off |
| 0x17F0 | CTRL_CORE_PAD_UART2_RXD | N23 | uart2_rxd | uart3_ctsn | uart3_rctx | mmc4_dat0 | uart2_rxd | uart1_dcdn | | | | | | | | | gpio7_26 | Driver off |
| 0x17F4 | CTRL_CORE_PAD_UART2_TXD | N25 | uart2_txd | uart3_rtsn | uart3_sd | mmc4_dat1 | uart2_txd | uart1_dsrn | | | | | | | | | gpio7_27 | Driver off |
| 0x17F8 | CTRL_CORE_PAD_UART2_CTSN | N22 | uart2_ctsn | | uart3_rxd | mmc4_dat2 | uart10_rxd | uart1_dtrn | | | | | | | | | gpio1_16 | Driver off |
| 0x17FC | CTRL_CORE_PAD_UART2_RTSN | N24 | uart2_rtsn | uart3_txd | uart3_irtx | mmc4_dat3 | uart10_txd | uart1_rin | | | | | | | | | gpio1_17 | Driver off |
| 0x1800 | CTRL_CORE_PAD_I2C1_SDA | G23 | i2c1_sda | | | | | | | | | | | | | | | Driver off |
| 0x1804 | CTRL_CORE_PAD_I2C1_SCL | G22 | i2c1_scl | | | | | | | | | | | | | | | Driver off |
| 0x1808 | CTRL_CORE_PAD_I2C2_SDA | F23 | i2c2_sda | hdmi1_ddc_scl | | | | | | | | | | | | | | Driver off |
| 0x180C | CTRL_CORE_PAD_I2C2_SCL | G21 | i2c2_scl | hdmi1_ddc_sda | | | | | | | | | | | | | | Driver off |
| 0x1818 | CTRL_CORE_PAD_WAKEUP0 | AC10 | | dcan1_rx | | | | | | | | | | | | | gpio1_0 sys_nirq2 | Driver off |
| 0x1824 | CTRL_CORE_PAD_WAKEUP3 | AB10 | | sys_nirq1 | | | | | | | | | | | | | gpio1_3 dcan2_rx | Driver off |
| 0x1830 | CTRL_CORE_PAD_TMS | L21 | tms | | | | | | | | | | | | | | | |
| 0x1834 | CTRL_CORE_PAD_TDI | L23 | tdi | | | | | | | | | | | | | | gpio8_27 | |
| 0x1838 | CTRL_CORE_PAD_TDO | J20 | tdo | | | | | | | | | | | | | | gpio8_28 | |
| 0x183C | CTRL_CORE_PAD_TCLK | K21 | tclk | | | | | | | | | | | | | | | |
| 0x1840 | CTRL_CORE_PAD_TRSTN | L22 | trstn | | | | | | | | | | | | | | | |

Table 4-31. Pin Multiplexing (continued)

| ADDRESS | REGISTER NAME | BALL NUMBER | MUXMODE FIELD SETTINGS (CTRL_CORE_PAD_*[3:0]) | | | | | | | | | | | | | | | | |
|---------|------------------------|-------------|---|---|---|----|----|----|----|---|----|---|----|----|----|----|-----|----------|--|
| | | | 0 | 1 | 2 | 3* | 4* | 5* | 6* | 7 | 8* | 9 | 10 | 11 | 12 | 13 | 14* | 15 | |
| 0x1844 | CTRL_CORE_PAD_RTCK | K25 | rtck | | | | | | | | | | | | | | | gpio8_29 | |
| 0x1848 | CTRL_CORE_PAD_EMU0 | C21 | emu0 | | | | | | | | | | | | | | | gpio8_30 | |
| 0x184C | CTRL_CORE_PAD_EMU1 | C22 | emu1 | | | | | | | | | | | | | | | gpio8_31 | |
| 0x185C | CTRL_CORE_PAD_RESETN | K24 | resetrn | | | | | | | | | | | | | | | | |
| 0x1860 | CTRL_CORE_PAD_NMIN_DSP | L24 | nmin_dsp | | | | | | | | | | | | | | | | |
| 0x1864 | CTRL_CORE_PAD_RSTOUTN | E20 | rstoutn | | | | | | | | | | | | | | | | |

1. NA in table stands for Not Applicable.

4.5 Connections for Unused Pins

This section describes the connection requirements of the unused and reserved balls.

NOTE

The following balls are reserved: K20, L19, G20

These balls must be left unconnected.

NOTE

All unused power supply balls must be supplied with the voltages specified in the [Section 5.4, Recommended Operating Conditions](#), unless alternative tie-off options are included in [Section 4.3, Signal Descriptions](#).

Table 4-32. Unused Balls Specific Connection Requirements

| BALLS | CONNECTION REQUIREMENTS |
|--|--|
| Y12 / AC11 / L22 / AC10 / AB10 / AD22 / Y24 / V24 / R24 | These balls must be connected to GND through an external pull resistor if unused. |
| K21 / L24 / K24 / G22 / G23 / L21 / G21 / F23 / AE22 / Y25 / V25 / R25 | These balls must be connect to the corresponding power supply through an external pull resistor if unused. |
| F20 (vpp) | This ball must be left unconnected if unused. |

NOTE

All other unused signal balls with a Pad Configuration register can be left unconnected with their internal pullup or pulldown resistor enabled.

NOTE

All other unused signal balls without a Pad Configuration register can be left unconnected.

5 Specifications

NOTE

For more information, see Power, Reset, and Clock Management / PRCM Subsystem Environment / External Voltage Inputs or Initialization / Preinitialization / Power Requirements section of the Device TRM.

NOTE

The index number 1 which is part of the EMIF1 signal prefixes (ddr1_*) listed in [Table 4-6, EMIF Signal Descriptions](#), column "SIGNAL NAME" not to be confused with DDR1 type of SDRAM memories.

NOTE

Audio Back End (ABE) module is not supported for this family of devices, but "ABE" name is still present in some clock or DPLL names.

CAUTION

All IO Cells are NOT Fail-safe compliant and should not be externally driven in absence of their IO supply.

5.1 Absolute Maximum Ratings

over operating free-air temperature range (unless otherwise noted) ⁽¹⁾

| PARAMETER ⁽¹⁾ | | MIN | MAX | UNIT | |
|--|---|--|--------------------------|------|---|
| V _{SUPPLY} (Steady-State) | Supply Voltage Ranges (Steady-State) | Core (vdd, vdd_dsp) | -0.3 | 1.5 | V |
| | | Analog (vdda_usb1, vdda_usb2, vdda_per, vdda_ddr, vdda_debug, vdda_mpu_abe, vdda_usb3, vdda_csi, vdda_core_gmac, vdda_gpu, vdda_hdmi, vdda_pcie, vdda_video, vdda_osc) | -0.3 | 2.0 | V |
| | | Analog 3.3V (vdda33v_usb1, vdda33v_usb2) | -0.3 | 3.8 | V |
| | | vdds18v, vdds18v_ddr1, vdds_mlbp, vdds_ddr1 | -0.3 | 2.1 | V |
| | | vddshv1, vddshv3, vddshv4, vddshv7-11 (1.8V mode) | -0.3 | 2.1 | V |
| | | vddshv1, vddshv3, vddshv4, vddshv7, vddshv9-11 (3.3V mode) | -0.3 | 3.8 | V |
| | | vddshv8 (3.3V mode) | -0.3 | 3.6 | V |
| V _{IO} (Steady-State) | Input and Output Voltage Ranges (Steady-State) | Core I/Os | -0.3 | 1.5 | V |
| | | Analog I/Os (except HDMI) | -0.3 | 2.0 | V |
| | | HDMI I/Os | -0.3 | 3.5 | V |
| | | I/O 1.35V | -0.3 | 1.65 | V |
| | | I/O 1.5V | -0.3 | 1.8 | V |
| | | 1.8V I/Os | -0.3 | 2.1 | V |
| | | 3.3V I/Os (except those powered by vddshv8) | -0.3 | 3.8 | V |
| 3.3V I/Os (powered by vddshv8) | -0.3 | 3.6 | V | | |
| SR | Maximum slew rate, all supplies | | 10 ⁵ | V/s | |
| V _{IO} (Transient Overshoot / Undershoot) | Input and Output Voltage Ranges (Transient Overshoot/Undershoot) Note: valid for up to 20% of the signal period. See Figure 5-1 , <i>IO transient voltage ranges</i> . | | 0.2 × VDD ⁽⁴⁾ | V | |
| T _{STG} | Storage temperature range after soldered onto PC Board | -55 | +150 | °C | |
| Latch-up I-Test | I-test ⁽⁵⁾ , All I/Os (if different levels then one line per level) | -100 | 100 | mA | |
| Latch-up OV-Test | Over-voltage Test ⁽⁶⁾ , All supplies (if different levels then one line per level) | N/A | 1.5 × Vsupply max | V | |

(1) Stresses beyond those listed as absolute maximum ratings may cause permanent damage to the device. These are stress ratings only, and functional operation of the device at these or any other conditions beyond those listed under [Section 5.4](#), *Recommended Operating Conditions*, is not implied. Exposure to absolute maximum rated conditions for extended periods may affect device reliability.

(2) All voltage values are with respect to VSS, unless otherwise noted.

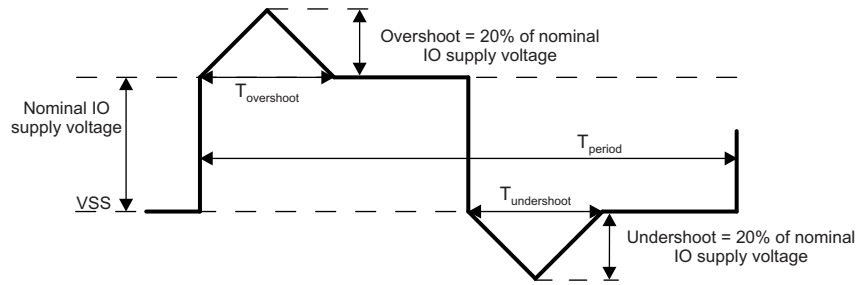
(3) See I/Os supplied by this power pin in [Table 4-1 Pin Attributes](#)

(4) VDD is the voltage on the corresponding power-supply pin(s) for the IO.

(5) Per JEDEC JESD78 at 125°C with specified I/O pin injection current and clamp voltage of 1.5 times maximum recommended I/O voltage and negative 0.5 times maximum recommended I/O voltage.

(6) Per JEDEC JESD78 at 125°C.

(7) The maximum valid input voltage on an IO pin cannot exceed 0.3 volts when the supply powering the IO is turned off. This requirement applies to all the IO pins which are not fail-safe and for all values of IO supply voltage. Special attention should be applied anytime peripheral devices are not powered from the same power sources used to power the respective IO supply. It is important the attached peripheral never sources a voltage outside the valid input voltage range, including power supply ramp-up and ramp-down sequences.



osus_sprs851

(1) $T_{overshoot} + T_{undershoot} < 20\%$ of T_{period}

Figure 5-1. IO transient voltage ranges

5.2 ESD Ratings

| | | VALUE | UNIT |
|--|--|-------|------|
| V _{ESD} Electrostatic discharge | Human-body model (HBM), per ANSI/ESDA/JEDEC JS-001 ⁽¹⁾ | ±1000 | V |
| | Charged-device model (CDM), per JEDEC specification JESD22-C101 ⁽²⁾ | ±250 | |

(1) JEDEC document JEP155 states that 500-V HBM allows safe manufacturing with a standard ESD control process.

(2) JEDEC document JEP157 states that 250-V CDM allows safe manufacturing with a standard ESD control process.

5.3 Power on Hours (POH) Limits

The information in the section below is provided solely for your convenience and does not extend or modify the warranty provided under TI’s standard terms and conditions for TI semiconductor products.

NOTE

POH is a function of voltage, temperature and time. Usage at higher voltages and temperatures will result in a reduction in POH.

Table 5-1. Power on Hour (POH) Limits⁽¹⁾

| OPERATING CONDITION | | COMMERCIAL JUNCTION TEMP RANGE 0°C ~ 90°C | | EXTENDED JUNCTION TEMP RANGE -40°C ~ 105°C | | | |
|---------------------|---------------------|---|----------------|--|----------------|---------------------------------|---------------------|
| OPP | HDMI | JUNCTION TEMP (T _j) | LIFETIME (POH) | JUNCTION TEMP (T _j) | LIFETIME (POH) | JUNCTION TEMP (T _j) | LIFETIME (POH) |
| ALL | Not Used | 90°C | 100k | 100°C | 100k | 105°C | 100k ⁽³⁾ |
| | Used ⁽²⁾ | 90°C | 100k | 100°C | 63k | 105°C | 45k |

(1) Unless specified in Table 5-1, all voltage domains and operating conditions are supported in the device at the noted temperatures.

(2) Power-on hours (POH) assume HDMI is used at the maximum supported bit rate continuously and/or operating the device continuously at the VD_MPU operating point (OPP) noted.

(3) 90k POH only if SuperSpeed USB 3.0 Dual-Role-Device (at 5 Gbps) or PCIe in Gen-II mode (at 5 Gbps) are used.

5.4 Recommended Operating Conditions

over operating free-air temperature range (unless otherwise noted)

| PARAMETER | DESCRIPTION | MIN ⁽²⁾ | NOM | MAX DC ⁽³⁾ | MAX ⁽²⁾ | UNIT |
|---|----------------------------|--------------------|-----------------|-----------------------|--------------------|------|
| Input Power Supply Voltage Range | | | | | | |
| vdd | Core voltage domain supply | | See Section 5.5 | | | V |
| vdd_dsp | DSP voltage domain supply | | See Section 5.5 | | | V |

Recommended Operating Conditions (continued)

over operating free-air temperature range (unless otherwise noted)

| PARAMETER | DESCRIPTION | MIN ⁽²⁾ | NOM | MAX DC ⁽³⁾ | MAX ⁽²⁾ | UNIT |
|-----------------------------|--|--------------------|------|-----------------------|--------------------|---------------------|
| vdda_usb1 | DPLL_USB and HS USB1 1.8V analog power supply | 1.71 | 1.80 | 1.836 | 1.89 | V |
| | Maximum noise (peak-peak) | | 50 | | | mV _{PPmax} |
| vdda_usb2 | HS USB2 1.8V analog power supply | 1.71 | 1.80 | 1.836 | 1.89 | V |
| | Maximum noise (peak-peak) | | 50 | | | mV _{PPmax} |
| vdda33v_usb1 ⁽⁵⁾ | HS USB1 3.3V analog power supply | 3.135 | 3.3 | 3.366 | 3.465 | V |
| | Maximum noise (peak-peak) | | 50 | | | mV _{PPmax} |
| vdda33v_usb2 ⁽⁵⁾ | HS USB2 3.3V analog power supply | 3.135 | 3.3 | 3.366 | 3.465 | V |
| | Maximum noise (peak-peak) | | 50 | | | mV _{PPmax} |
| vdda_per | PER PLL and PER HSDIVIDER analog power supply | 1.71 | 1.80 | 1.836 | 1.89 | V |
| | Maximum noise (peak-peak) | | 50 | | | mV _{PPmax} |
| vdda_ddr | DPLL_DDR and DDR HSDIVIDER analog power supply | 1.71 | 1.80 | 1.836 | 1.89 | V |
| | Maximum noise (peak-peak) | | 50 | | | mV _{PPmax} |
| vdda_debug | DPLL_DEBUG analog power supply | 1.71 | 1.80 | 1.836 | 1.89 | V |
| | Maximum noise (peak-peak) | | 50 | | | mV _{PPmax} |
| vdda_core_gmac | DPLL_CORE and CORE HSDIVIDER analog power supply | 1.71 | 1.80 | 1.836 | 1.89 | V |
| | Maximum noise (peak-peak) | | 50 | | | mV _{PPmax} |
| vdda_gpu | DPLL_GPU analog power supply | 1.71 | 1.80 | 1.836 | 1.89 | V |
| | Maximum noise (peak-peak) | | 50 | | | mV _{PPmax} |
| vdda_hdmi | PLL_HDMI and HDMI analog power supply | 1.71 | 1.80 | 1.836 | 1.89 | V |
| | Maximum noise (peak-peak) | | 50 | | | mV _{PPmax} |
| vdda_pcie | DPLL_PCIE_REF and PCIe analog power supply | 1.71 | 1.80 | 1.836 | 1.89 | V |
| | Maximum noise (peak-peak) | | 50 | | | mV _{PPmax} |
| vdda_usb3 | DPLL_USB_OTG_SS and USB3.0 RX/TX analog power supply | 1.71 | 1.80 | 1.836 | 1.89 | V |
| | Maximum noise (peak-peak) | | 50 | | | mV _{PPmax} |
| vdda_video | DPLL_VIDEO1 analog power supply | 1.71 | 1.80 | 1.836 | 1.89 | V |
| | Maximum noise (peak-peak) | | 50 | | | mV _{PPmax} |
| vdds_mlbp | MLBP IO power supply | 1.71 | 1.80 | | 1.89 | V |
| | Maximum noise (peak-peak) | | 50 | | | mV _{PPmax} |
| vdda_mpu_abe | DPLL_MPU analog power supply | 1.71 | 1.80 | 1.836 | 1.89 | V |
| | Maximum noise (peak-peak) | | 50 | | | mV _{PPmax} |
| vdda_osc | HFOSC analog power supply | 1.71 | 1.80 | | 1.89 | V |
| | Maximum noise (peak-peak) | | 50 | | | mV _{PPmax} |
| vdda_csi | CSI Interface 1.8v Supply | 1.71 | 1.80 | 1.836 | 1.89 | V |
| | Maximum noise (peak-peak) | | 50 | | | mV _{PPmax} |
| vdds18v | 1.8V power supply | 1.71 | 1.80 | 1.836 | 1.89 | V |
| | Maximum noise (peak-peak) | | 50 | | | mV _{PPmax} |
| vdds18v_ddr1 | EMIF1 bias power supply | 1.71 | 1.80 | 1.836 | 1.89 | V |
| | Maximum noise (peak-peak) | | 50 | | | mV _{PPmax} |

Recommended Operating Conditions (continued)

over operating free-air temperature range (unless otherwise noted)

| PARAMETER | DESCRIPTION | MIN ⁽²⁾ | NOM | MAX DC ⁽³⁾ | MAX ⁽²⁾ | UNIT | |
|-----------|---|--------------------|-------|-----------------------|--------------------|-------|---------------------|
| vdds_dds1 | EMIF1 power supply (1.5V for DDR3 mode / 1.35V DDR3L mode) | 1.35-V Mode | 1.28 | 1.35 | 1.377 | 1.42 | V |
| | | 1.5-V Mode | 1.43 | 1.50 | 1.53 | 1.57 | |
| | Maximum noise (peak-peak) | 1.35-V Mode | 50 | | | | mV _{PPmax} |
| | | 1.5-V Mode | | | | | |
| vddshv1 | Dual Voltage (1.8V or 3.3V) power supply for the VIN2 Power Group pins | 1.8-V Mode | 1.71 | 1.80 | 1.836 | 1.89 | V |
| | | 3.3-V Mode | 3.135 | 3.30 | 3.366 | 3.465 | |
| | Maximum noise (peak-peak) | 1.8-V Mode | 50 | | | | mV _{PPmax} |
| | | 3.3-V Mode | | | | | |
| vddshv10 | Dual Voltage (1.8V or 3.3V) power supply for the GPMC Power Group pins | 1.8-V Mode | 1.71 | 1.80 | 1.836 | 1.89 | V |
| | | 3.3-V Mode | 3.135 | 3.30 | 3.366 | 3.465 | |
| | Maximum noise (peak-peak) | 1.8-V Mode | 50 | | | | mV _{PPmax} |
| | | 3.3-V Mode | | | | | |
| vddshv11 | Dual Voltage (1.8V or 3.3V) power supply for the MMC2 Power Group pins | 1.8-V Mode | 1.71 | 1.80 | 1.836 | 1.89 | V |
| | | 3.3-V Mode | 3.135 | 3.30 | 3.366 | 3.465 | |
| | Maximum noise (peak-peak) | 1.8-V Mode | 50 | | | | mV _{PPmax} |
| | | 3.3-V Mode | | | | | |
| vddshv3 | Dual Voltage (1.8V or 3.3V) power supply for the GENERAL Power Group pins | 1.8-V Mode | 1.71 | 1.80 | 1.836 | 1.89 | V |
| | | 3.3-V Mode | 3.135 | 3.30 | 3.366 | 3.465 | |
| | Maximum noise (peak-peak) | 1.8-V Mode | 50 | | | | mV _{PPmax} |
| | | 3.3-V Mode | | | | | |
| vddshv4 | Dual Voltage (1.8V or 3.3V) power supply for the MMC4 Power Group pins | 1.8-V Mode | 1.71 | 1.80 | 1.836 | 1.89 | V |
| | | 3.3-V Mode | 3.135 | 3.30 | 3.366 | 3.465 | |
| | Maximum noise (peak-peak) | 1.8-V Mode | 50 | | | | mV _{PPmax} |
| | | 3.3-V Mode | | | | | |
| vddshv7 | Dual Voltage (1.8V or 3.3V) power supply for the WIFI Power Group pins | 1.8-V Mode | 1.71 | 1.80 | 1.836 | 1.89 | V |
| | | 3.3-V Mode | 3.135 | 3.30 | 3.366 | 3.465 | |
| | Maximum noise (peak-peak) | 1.8-V Mode | 50 | | | | mV _{PPmax} |
| | | 3.3-V Mode | | | | | |
| vddshv8 | Dual Voltage (1.8V or 3.3V) power supply for the MMC1 Power Group pins | 1.8-V Mode | 1.71 | 1.80 | 1.836 | 1.89 | V |
| | | 3.3-V Mode | 3.135 | 3.30 | 3.366 | 3.465 | |
| | Maximum noise (peak-peak) | 1.8-V Mode | 50 | | | | mV _{PPmax} |
| | | 3.3-V Mode | | | | | |
| vddshv9 | Dual Voltage (1.8V or 3.3V) power supply for the RGMII Power Group pins | 1.8-V Mode | 1.71 | 1.80 | 1.836 | 1.89 | V |
| | | 3.3-V Mode | 3.135 | 3.30 | 3.366 | 3.465 | |
| | Maximum noise (peak-peak) | 1.8-V Mode | 50 | | | | mV _{PPmax} |
| | | 3.3-V Mode | | | | | |

Recommended Operating Conditions (continued)

over operating free-air temperature range (unless otherwise noted)

| PARAMETER | DESCRIPTION | MIN ⁽²⁾ | NOM | MAX DC ⁽³⁾ | MAX ⁽²⁾ | UNIT |
|-------------------------------|--------------------------------------|--------------------|-----------------|-----------------------|--------------------|------|
| vss | Ground supply | | 0 | | | V |
| vssa_osc0 | OSC0 analog ground | | 0 | | | V |
| vssa_osc1 | OSC1 analog ground | | 0 | | | V |
| T _J ⁽¹⁾ | Operating junction temperature range | Commercial | 0 | | 90 | °C |
| | | Extended | -40 | | 105 | |
| ddr1_vref0 | Reference Power Supply EMIF1 | | 0.5 × vdds_ddr1 | | | V |

(1) Refer to Power on Hours table for limitations.

(2) The voltage at the device ball should never be below the MIN voltage or above the MAX voltage for any amount of time. This requirement includes dynamic voltage events such as AC ripple, voltage transients, voltage dips, etc.

(3) The DC voltage at the device ball should never be above the MAX DC voltage to avoid impact on device reliability and lifetime POH (Power-On-Hours). The MAX DC voltage is defined as the highest allowed DC regulated voltage, without transients, seen at the ball.

(4) Logic functions and parameter values are not assured out of the range specified in the recommended operating conditions.

(5) USB Analog supply also powers digital IO buffers. This supply cannot be tied to VSS if USB is unused since digital IO buffers must be powered during device operation.

5.5 Operating Performance Points

This section describes the operating conditions of the device. This section also contains the description of each OPP (operating performance point) for processor clocks and device core clocks.

Table 5-2 describes the maximum supported frequency per speed grade for AM570x devices.

Table 5-2. Speed Grade Maximum Frequency⁽¹⁾⁽²⁾

| DEVICE SPEED | MAXIMUM FREQUENCY (MHz) | | | | | | |
|--------------|-------------------------|-----|-------|-----|-----|-----|-----------------|
| | MPU | DSP | IPU | IVA | GPU | L3 | DDR3 / DDR3L |
| AM5708xxJ | 1000 | 750 | 212.8 | 532 | 425 | 266 | 667 (DDR3-1333) |
| AM5706xxJ | 1000 | 750 | 212.8 | N/A | N/A | 266 | 667 (DDR3-1333) |
| AM5706xxD | 500 | 500 | 212.8 | N/A | N/A | 266 | 533 (DDR3-1066) |

(1) N/A stands for Not Applicable.

(2) If the corresponding core is not available in the respective subdevice, the value shall be read as N/A. For more information, see Table 3-1, *Device Comparison*.

5.5.1 AVS and ABB Requirements

Adaptive Voltage Scaling (AVS) and Adaptive Body Biasing (ABB) are required on most of the vdd_* supplies as defined in Table 5-3.

Table 5-3. AVS and ABB Requirements per vdd_* Supply

| SUPPLY | VOLTAGE DOMAIN | AVS REQUIRED? | ABB REQUIRED? |
|---------|----------------|-------------------|-------------------|
| vdd | VD_CORE | Yes, for all OPPs | No |
| | VD_SGX | Yes, for all OPPs | Yes, for all OPPs |
| | VD_MPU | Yes, for all OPPs | Yes, for all OPPs |
| vdd_dsp | VD_DSP | Yes, for all OPPs | Yes, for all OPPs |
| | VD_IVA | Yes, for all OPPs | Yes, for all OPPs |

5.5.2 Voltage And Core Clock Specifications

Table 5-4 shows the recommended OPP per voltage domain.

Table 5-4. Voltage Domains Operating Performance Points ⁽¹⁾

| DOMAIN | CONDITION | OPP_NOM | | | OPP_HIGH | | | |
|----------------------------|---|-----------------------------------|----------------------------|--------------------|-----------------------------------|----------------------------|--------------------------------|---------------------------------|
| | | MIN ⁽³⁾ | NOM ⁽²⁾ | MAX ⁽³⁾ | MIN ⁽³⁾ | NOM ⁽²⁾ | MAX DC ⁽⁴⁾ | MAX ⁽³⁾ |
| VD_CORE (V) ⁽⁸⁾ | BOOT (Before AVS is enabled) ⁽⁵⁾ | 1.11 | 1.15 | 1.2 | Not Applicable | | | |
| | After AVS is enabled ⁽⁵⁾ | AVS Voltage ⁽⁶⁾ – 3.5% | AVS Voltage ⁽⁶⁾ | 1.2 | Not Applicable | | | |
| VD_DSP (V) ⁽⁹⁾ | BOOT (Before AVS is enabled) ⁽⁵⁾ | 1.02 | 1.06 | 1.16 | Not Applicable | | | |
| | After AVS is enabled ⁽⁵⁾ | AVS Voltage ⁽⁶⁾ – 3.5% | AVS Voltage ⁽⁶⁾ | 1.2 | AVS Voltage ⁽⁶⁾ – 3.5% | AVS Voltage ⁽⁶⁾ | AVS Voltage ⁽⁶⁾ +2% | AVS Voltage ⁽⁶⁾ + 5% |

- (1) The voltage ranges in this table are preliminary, and final voltage ranges may be different than shown. Systems should be designed with the ability to modify the voltage to comply with future recommendations.
- (2) In a typical implementation, the power supply should target the NOM voltage.
- (3) The voltage at the device ball should never be below the MIN voltage or above the MAX voltage for any amount of time. This requirement includes dynamic voltage events such as AC ripple, voltage transients, voltage dips, etc.
- (4) The DC voltage at the device ball should never be above the MAX DC voltage to avoid impact on device reliability and lifetime POH (Power-On-Hours). The MAX DC voltage is defined as the highest allowed DC regulated voltage, without transients, seen at the ball.
- (5) For all OPPs, AVS must be enabled to avoid impact on device reliability, lifetime POH (Power-On-Hours), and device power.
- (6) The AVS voltages are device-dependent, voltage domain-dependent, and OPP-dependent. They must be read from the STD_FUSE_OPP Registers. For information about STD_FUSE_OPP Registers address, please refer to Control Module Section of the TRM. The power supply should be adjustable over the following ranges for each required OPP:
- OPP_NOM for DSP: 0.85 V – 1.15 V
 - OPP_NOM for CORE: 0.85 V - 1.15 V
 - OPP_HIGH: 1.01 V - 1.25 V
- The AVS voltages will be within the above specified ranges.
- (7) The power supply must be programmed with the AVS voltages for the CORE voltage domain, either just after the ROM boot or at the earliest possible time in the secondary boot loader before there is significant activity seen on these domains.
- (8) The package routes VD_CORE (vdd) to the VD_MPU, VD_SGX, VD_CORE and VD_RTC domains on the die.
- (9) The package routes VD_DSP (vdd_dsp) to the VD_DSPEVE and VD_IVA domains on the die.

Table 5-5 describes the standard processor clocks speed characteristics vs OPP of the device.

Table 5-5. Supported OPP vs Max Frequency ⁽²⁾

| DESCRIPTION | OPP_NOM | OPP_HIGH |
|----------------|-------------------------|-------------------------|
| | MAXIMUM FREQUENCY (MHz) | MAXIMUM FREQUENCY (MHz) |
| VD_CORE | | |
| MPU_CLK | 1000 | N/A |
| GPU_CLK | 425.6 | N/A |
| CORE_IPUx_CLK | 212.8 | N/A |
| L3_CLK | 266 | N/A |
| DDR3 / DDR3L | 667 (DDR3-1333) | N/A |
| VD_DSP | | |
| IVA_GCLK | 388.3 | 532 |
| DSP_CLK | 600 | 750 |

- (1) N/A stands for Not Applicable.
- (2) Maximum supported frequency is limited according to the Device Speed Grade (see Table 5-2).

5.5.3 Maximum Supported Frequency

Device modules either receive their clock directly from an external clock input, directly from a PLL, or from a PRCM. Table 5-6 lists the clock source options for each module on this device, along with the maximum frequency that module can accept. To ensure proper module functionality, the device PLLs and dividers must be programmed not to exceed the maximum frequencies listed in this table.

Table 5-6. Maximum Supported Frequency

| MODULE | | | | CLOCK SOURCES | | |
|---------------------|------------------|------------|--------------------------|-------------------------|-------------------------------|-------------------------|
| INSTANCE NAME | INPUT CLOCK NAME | CLOCK TYPE | MAX. CLOCK ALLOWED (MHz) | PRCM CLOCK NAME | PLL / OSC / SOURCE CLOCK NAME | PLL / OSC / SOURCE NAME |
| AES1 | AES1_L3_CLK | Int | 266 | L4SEC_L3_GICLK | CORE_X2_CLK | DPLL_CORE |
| AES2 | AES2_L3_CLK | Int | 266 | L4SEC_L3_GICLK | CORE_X2_CLK | DPLL_CORE |
| BB2D | BB2D_FCLK | Func | 354.6 | BB2D_GFCLK | BB2D_GFCLK | DPLL_CORE |
| | BB2D_ICLK | Int | 266 | DSS_L3_GICLK | CORE_X2_CLK | DPLL_CORE |
| COUNTER_32K | COUNTER_32K_FCLK | Func | 0.032 | FUNC_32K_CLK | SYS_CLK1/610 | OSC0 |
| | COUNTER_32K_ICLK | Int | 38.4 | WKUPAON_GICLK | SYS_CLK1 | OSC0 |
| CTRL_MODULE_BANDGAP | L3INSTR_TS_GICLK | Int | 4.8 | L3INSTR_TS_GICLK | DPLL_ABE_X2_CLK | DPLL_ABE |
| | | | | | SYS_CLK1 | OSC0 |
| CTRL_MODULE_CORE | L4CFG_L4_GICLK | Int | 133 | L4CFG_L4_GICLK | DPLL_ABE_X2_CLK | DPLL_ABE |
| | | | | | CORE_X2_CLK | DPLL_CORE |
| CTRL_MODULE_WKUP | WKUPAON_GICLK | Int | 38.4 | WKUPAON_GICLK | SYS_CLK1 | OSC0 |
| | | | | | DPLL_ABE_X2_CLK | DPLL_ABE |
| DCAN1 | DCAN1_FCLK | Func | 38.4 | DCAN1_SYS_CLK | SYS_CLK1 | OSC0 |
| | | | | | SYS_CLK2 | OSC1 |
| | DCAN1_ICLK | Int | 266 | WKUPAON_GICLK | SYS_CLK1 | OSC0 |
| DCAN2 | DCAN2_FCLK | Func | 38.4 | DCAN2_SYS_CLK | SYS_CLK1 | OSC0 |
| | DCAN2_ICLK | Int | 266 | L4PER2_L3_GICLK | CORE_X2_CLK | DPLL_CORE |
| DES3DES | DES_CLK_L3 | Int | 266 | L4SEC_L3_GICLK | CORE_X2_CLK | DPLL_CORE |
| DLL | EMIF_DLL_FCLK | Func | EMIF_DLL_FCLK | EMIF_DLL_GICLK | EMIF_DLL_GICLK | DPLL_DDR |
| DLL_AGING | FCLK | Int | 38.4 | L3INSTR_DLL_AGING_GICLK | SYS_CLK1 | OSC0 |
| | | | | | DPLL_ABE_X2_CLK | DPLL_ABE |
| DMM | DMM_CLK | Int | 266 | EMIF_L3_GICLK | CORE_X2_CLK | DPLL_CORE |
| DPLL_DEBUG | SYSClk | Int | 38.4 | EMU_SYS_CLK | SYS_CLK1 | OSC0 |
| DSP1 | DSP1_FICLK | Int & Func | DSP_CLK | DSP1_GFCLK | DSP_GFCLK | DPLL_DSP |

Table 5-6. Maximum Supported Frequency (continued)

| MODULE | | | | CLOCK SOURCES | | |
|------------------|------------------|------------|--------------------------|---------------------|-------------------------------|--------------------------------|
| INSTANCE NAME | INPUT CLOCK NAME | CLOCK TYPE | MAX. CLOCK ALLOWED (MHz) | PRCM CLOCK NAME | PLL / OSC / SOURCE CLOCK NAME | PLL / OSC / SOURCE NAME |
| DSS | DSS_HDMI_CEC_CLK | Func | 0.032 | HDMI_CEC_GFCLK | SYS_CLK1/610 | OSC0 |
| | DSS_HDMI_PHY_CLK | Func | 48 | HDMI_PHY_GFCLK | FUNC_192M_CLK | DPLL_PER |
| | DSS_CLK | Func | 192 | DSS_GFCLK | DSS_CLK | DPLL_PER |
| | HDMI_CLKINP | Func | 38.4 | HDMI_DPLL_CLK | SYS_CLK1 | OSC0 |
| | | | | | SYS_CLK2 | OSC1 |
| | DSS_L3_ICLK | Int | 266 | DSS_L3_GICLK | CORE_X2_CLK | DPLL_CORE |
| | VIDEO1_CLKINP | Func | 38.4 | VIDEO1_DPLL_CLK | SYS_CLK1 | OSC0 |
| | | | | | SYS_CLK2 | OSC1 |
| | VIDEO2_CLKINP | Func | 38.4 | VIDEO2_DPLL_CLK | SYS_CLK1 | OSC0 |
| | | | | | SYS_CLK2 | OSC1 |
| | DPLL_DSI1_A_CLK1 | Func | 209.3 | N/A | HDMI_CLK | DPLL_HDMI |
| | | | | | VIDEO1_CLKOUT1 | DPLL_VIDEO1 |
| | DPLL_DSI1_B_CLK1 | Func | 209.3 | N/A | VIDEO1_CLKOUT3 | DPLL_VIDEO1 |
| | | | | | HDMI_CLK | DPLL_HDMI |
| DPLL_ABE_X2_CLK | | | | | DPLL_ABE | |
| DPLL_DSI1_C_CLK1 | Func | 209.3 | N/A | HDMI_CLK | DPLL_HDMI | |
| | | | | VIDEO1_CLKOUT3 | DPLL_VIDEO1 | |
| DPLL_HDMI_CLK1 | Func | 185.6 | N/A | HDMI_CLK | DPLL_HDMI | |
| DSS DISPC | LCD1_CLK | Func | 209.3 | N/A | DPLL_DSI1_A_CLK1 | See DSS data in the rows above |
| | | | | | DSS_CLK | |
| | LCD2_CLK | Func | 209.3 | N/A | DPLL_DSI1_B_CLK1 | |
| | | | | | DSS_CLK | |
| | LCD3_CLK | Func | 209.3 | N/A | DPLL_DSI1_C_CLK1 | |
| | | | | | DSS_CLK | |
| | F_CLK | Func | 209.3 | N/A | DPLL_DSI1_A_CLK1 | |
| | | | | | DPLL_DSI1_B_CLK1 | |
| | | | | | DPLL_DSI1_C_CLK1 | |
| | | | | | DSS_CLK | |
| DPLL_HDMI_CLK1 | | | | | | |
| EFUSE_CTRL_CUST | ocp_clk | Int | 133 | CUSTEFUSE_L4_GICLK | CORE_X2_CLK | DPLL_CORE |
| | sys_clk | Func | 38.4 | CUSTEFUSE_SYS_GFCLK | SYS_CLK1 | OSC0 |
| ELM | ELM_ICLK | Int | 266 | L4PER_L3_GICLK | CORE_X2_CLK | DPLL_CORE |
| EMIF_OCP_FW | L3_CLK | Int | 266 | EMIF_L3_GICLK | CORE_X2_CLK | DPLL_CORE |
| EMIF_PHY1 | EMIF_PHY1_FCLK | Func | DDR | EMIF_PHY_GCLK | EMIF_PHY_GCLK | DPLL_DDR |
| EMIF1 | EMIF1_ICLK | Int | 266 | EMIF_L3_GICLK | CORE_X2_CLK | DPLL_CORE |

Table 5-6. Maximum Supported Frequency (continued)

| MODULE | | | | CLOCK SOURCES | | | | | | | |
|------------------|------------------|------------|--------------------------|--------------------|-------------------------------|-------------------------|------|-------|----------------|------------------|-----------|
| INSTANCE NAME | INPUT CLOCK NAME | CLOCK TYPE | MAX. CLOCK ALLOWED (MHz) | PRCM CLOCK NAME | PLL / OSC / SOURCE CLOCK NAME | PLL / OSC / SOURCE NAME | | | | | |
| GMAC_SW | CPTS_RFT_CLK | Func | 266 | GMAC_RFT_CLK | PER_ABE_X1_GFCLK | DPLL_ABE | | | | | |
| | | | | | VIDEO1_CLK | DPLL_VIDEO1 | | | | | |
| | | | | | HDMI_CLK | DPLL_HDMI | | | | | |
| | | | | | CORE_X2_CLK | DPLL_CORE | | | | | |
| | MAIN_CLK | Int | 125 | GMAC_MAIN_CLK | GMAC_250M_CLK | DPLL_GMAC | | | | | |
| | MHZ_250_CLK | Func | 250 | GMII_250MHZ_CLK | GMII_250MHZ_CLK | DPLL_GMAC | | | | | |
| | MHZ_5_CLK | Func | 5 | RGMII_5MHZ_CLK | GMAC_RMII_HS_CLK | DPLL_GMAC | | | | | |
| | MHZ_50_CLK | Func | 50 | RMII_50MHZ_CLK | GMAC_RMII_HS_CLK | DPLL_GMAC | | | | | |
| RMII1_MHZ_50_CLK | Func | 50 | RMII_50MHZ_CLK | GMAC_RMII_HS_CLK | DPLL_GMAC | | | | | | |
| | | | | | | RMII2_MHZ_50_CLK | Func | 50 | RMII_50MHZ_CLK | GMAC_RMII_HS_CLK | DPLL_GMAC |
| GPIO1 | GPIO1_ICLK | Int | 38.4 | WKUPAON_GICLK | SYS_CLK1 | OSC0 | | | | | |
| | | | | | DPLL_ABE_X2_CLK | DPLL_ABE | | | | | |
| GPIO1 | GPIO1_DBCLK | Func | 0.032 | WKUPAON_SYS_GFCCLK | WKUPAON_32K_GFCLK | OSC0 | | | | | |
| | | | | | GPIO2 | GPIO2_ICLK | Int | 266 | L4PER_L3_GICLK | CORE_X2_CLK | DPLL_CORE |
| GPIO2 | GPIO2_DBCLK | Func | 0.032 | GPIO_GFCLK | FUNC_32K_CLK | | | | OSC0 | | |
| | | | | | GPIO3 | GPIO3_ICLK | Int | 266 | L4PER_L3_GICLK | CORE_X2_CLK | DPLL_CORE |
| GPIO3 | GPIO3_DBCLK | Func | 0.032 | GPIO_GFCLK | | | | | FUNC_32K_CLK | OSC0 | |
| | | | | | GPIO4 | GPIO4_ICLK | Int | 266 | L4PER_L3_GICLK | CORE_X2_CLK | DPLL_CORE |
| GPIO4 | GPIO4_DBCLK | Func | 0.032 | GPIO_GFCLK | | | | | FUNC_32K_CLK | OSC0 | |
| | | | | | | | | | PIDBCLK | Func | 0.032 |
| GPIO5 | GPIO5_ICLK | Int | 266 | L4PER_L3_GICLK | CORE_X2_CLK | DPLL_CORE | | | | | |
| | | | | | GPIO5 | GPIO5_DBCLK | Func | 0.032 | GPIO_GFCLK | FUNC_32K_CLK | OSC0 |
| | | | | | | | | | | PIDBCLK | Func |
| GPIO6 | GPIO6_ICLK | Int | 266 | L4PER_L3_GICLK | CORE_X2_CLK | DPLL_CORE | | | | | |
| | | | | | GPIO6 | GPIO6_DBCLK | Func | 0.032 | GPIO_GFCLK | FUNC_32K_CLK | OSC0 |
| | | | | | | | | | | PIDBCLK | Func |
| GPIO7 | GPIO7_ICLK | Int | 266 | L4PER_L3_GICLK | CORE_X2_CLK | DPLL_CORE | | | | | |
| | | | | | GPIO7 | GPIO7_DBCLK | Func | 0.032 | GPIO_GFCLK | FUNC_32K_CLK | OSC0 |
| | | | | | | | | | | PIDBCLK | Func |
| GPIO8 | GPIO8_ICLK | Int | 266 | L4PER_L3_GICLK | CORE_X2_CLK | DPLL_CORE | | | | | |
| | | | | | GPIO8 | GPIO8_DBCLK | Func | 0.032 | GPIO_GFCLK | FUNC_32K_CLK | OSC0 |
| | | | | | | | | | | PIDBCLK | Func |
| GPMC | GPMC_FCLK | Int | 266 | L3MAIN1_L3_GICLK | CORE_X2_CLK | DPLL_CORE | | | | | |

Table 5-6. Maximum Supported Frequency (continued)

| MODULE | | | | CLOCK SOURCES | | |
|----------------|------------------|------------|--------------------------|------------------|-------------------------------|-------------------------|
| INSTANCE NAME | INPUT CLOCK NAME | CLOCK TYPE | MAX. CLOCK ALLOWED (MHz) | PRCM CLOCK NAME | PLL / OSC / SOURCE CLOCK NAME | PLL / OSC / SOURCE NAME |
| GPU | GPU_FCLK1 | Func | GPU_CLK | GPU_CORE_GCLK | CORE_GPU_CLK | DPLL_CORE |
| | | | | | PER_GPU_CLK | DPLL_PER |
| | | | | | GPU_GCLK | DPLL_GPU |
| | GPU_FCLK2 | Func | GPU_CLK | GPU_HYD_GCLK | CORE_GPU_CLK | DPLL_CORE |
| | | | | | PER_GPU_CLK | DPLL_PER |
| | | | | | GPU_GCLK | DPLL_GPU |
| GPU_ICLK | Int | 266 | GPU_L3_GICLK | CORE_X2_CLK | DPLL_CORE | |
| HDMI PHY | DSS_HDMI_PHY_CLK | Func | 38.4 | HDMI_PHY_GFCLK | FUNC_192M_CLK | DPLL_PER |
| HDQ1W | HDQ1W_ICLK | Int & Func | 266 | L4PER_L3_GICLK | CORE_X2_CLK | DPLL_CORE |
| | HDQ1W_FCLK | Func | 12 | PER_12M_GFCLK | FUNC_192M_CLK | DPLL_PER |
| I2C1 | I2C1_ICLK | Int | 266 | L4PER_L3_GICLK | CORE_X2_CLK | DPLL_CORE |
| | I2C1_FCLK | Func | 96 | PER_96M_GFCLK | FUNC_192M_CLK | DPLL_PER |
| I2C2 | I2C2_ICLK | Int | 266 | L4PER_L3_GICLK | CORE_X2_CLK | DPLL_CORE |
| | I2C2_FCLK | Func | 96 | PER_96M_GFCLK | FUNC_192M_CLK | DPLL_PER |
| I2C3 | I2C3_ICLK | Int | 266 | L4PER_L3_GICLK | CORE_X2_CLK | DPLL_CORE |
| | I2C3_FCLK | Func | 96 | PER_96M_GFCLK | FUNC_192M_CLK | DPLL_PER |
| I2C4 | I2C4_ICLK | Int | 266 | L4PER_L3_GICLK | CORE_X2_CLK | DPLL_CORE |
| | I2C4_FCLK | Func | 96 | PER_96M_GFCLK | FUNC_192M_CLK | DPLL_PER |
| I2C5 | I2C5_ICLK | Int | 266 | IPU_L3_GICLK | CORE_X2_CLK | DPLL_CORE |
| | I2C5_FCLK | Func | 96 | IPU_96M_GFCLK | FUNC_192M_CLK | DPLL_PER |
| IEEE1500_2_OCP | PI_L3CLK | Int & Func | 266 | L3INIT_L3_GICLK | CORE_X2_CLK | DPLL_CORE |
| IPU1 | IPU1_GFCLK | Int & Func | 425.6 | IPU1_GFCLK | DPLL_ABE_X2_CLK | DPLL_ABE |
| | | | | | CORE_IPU_ISS_BOOST_CLK | DPLL_CORE |
| IPU2 | IPU2_GFCLK | Int & Func | 425.6 | IPU2_GFCLK | CORE_IPU_ISS_BOOST_CLK | DPLL_CORE |
| IVA | IVA_GCLK | Int | IVA_GCLK | IVA_GCLK | IVA_GFCLK | DPLL_IVA |
| KBD | KBD_FCLK | Func | 0.032 | WKUPAON_SYS_GCLK | WKUPAON_32K_GFCLK | OSC0 |
| | PICLKKB | Func | 0.032 | WKUPAON_SYS_GCLK | | |
| | KBD_ICLK | Int | 38.4 | WKUPAON_GICLK | SYS_CLK1 | OSC0 |
| | PICLKOC | Int | 38.4 | WKUPAON_GICLK | DPLL_ABE_X2_CLK | DPLL_ABE |
| L3_INSTR | L3_CLK | Int | L3_CLK | L3INSTR_L3_GICLK | CORE_X2_CLK | DPLL_CORE |
| L3_MAIN | L3_CLK1 | Int | L3_CLK | L3MAIN1_L3_GICLK | CORE_X2_CLK | DPLL_CORE |
| | L3_CLK2 | Int | L3_CLK | L3INSTR_L3_GICLK | CORE_X2_CLK | DPLL_CORE |
| L4_CFG | L4_CFG_CLK | Int | 133 | L4CFG_L3_GICLK | CORE_X2_CLK | DPLL_CORE |
| L4_PER1 | L4_PER1_CLK | Int | 133 | L4PER_L3_GICLK | CORE_X2_CLK | DPLL_CORE |
| L4_PER2 | L4_PER2_CLK | Int | 133 | L4PER2_L3_GICLK | CORE_X2_CLK | DPLL_CORE |
| L4_PER3 | L4_PER3_CLK | Int | 133 | L4PER3_L3_GICLK | CORE_X2_CLK | DPLL_CORE |
| L4_WKUP | L4_WKUP_CLK | Int | 38.4 | WKUPAON_GICLK | SYS_CLK1 | OSC0 |
| | | | | | DPLL_ABE_X2_CLK | DPLL_ABE |

Table 5-6. Maximum Supported Frequency (continued)

| MODULE | | | | CLOCK SOURCES | | |
|---------------|------------------|------------|--------------------------|-----------------|-------------------------------|-------------------------|
| INSTANCE NAME | INPUT CLOCK NAME | CLOCK TYPE | MAX. CLOCK ALLOWED (MHz) | PRCM CLOCK NAME | PLL / OSC / SOURCE CLOCK NAME | PLL / OSC / SOURCE NAME |
| MAILBOX1 | MAILBOX1_FLCK | Int | 266 | L4CFG_L3_GICLK | CORE_X2_CLK | DPLL_CORE |
| MAILBOX2 | MAILBOX2_FLCK | Int | 266 | L4CFG_L3_GICLK | CORE_X2_CLK | DPLL_CORE |
| MAILBOX3 | MAILBOX3_FLCK | Int | 266 | L4CFG_L3_GICLK | CORE_X2_CLK | DPLL_CORE |
| MAILBOX4 | MAILBOX4_FLCK | Int | 266 | L4CFG_L3_GICLK | CORE_X2_CLK | DPLL_CORE |
| MAILBOX5 | MAILBOX5_FLCK | Int | 266 | L4CFG_L3_GICLK | CORE_X2_CLK | DPLL_CORE |
| MAILBOX6 | MAILBOX6_FLCK | Int | 266 | L4CFG_L3_GICLK | CORE_X2_CLK | DPLL_CORE |
| MAILBOX7 | MAILBOX7_FLCK | Int | 266 | L4CFG_L3_GICLK | CORE_X2_CLK | DPLL_CORE |
| MAILBOX8 | MAILBOX8_FLCK | Int | 266 | L4CFG_L3_GICLK | CORE_X2_CLK | DPLL_CORE |
| MAILBOX9 | MAILBOX9_FLCK | Int | 266 | L4CFG_L3_GICLK | CORE_X2_CLK | DPLL_CORE |
| MAILBOX10 | MAILBOX10_FLCK | Int | 266 | L4CFG_L3_GICLK | CORE_X2_CLK | DPLL_CORE |
| MAILBOX11 | MAILBOX11_FLCK | Int | 266 | L4CFG_L3_GICLK | CORE_X2_CLK | DPLL_CORE |
| MAILBOX12 | MAILBOX12_FLCK | Int | 266 | L4CFG_L3_GICLK | CORE_X2_CLK | DPLL_CORE |
| MAILBOX13 | MAILBOX13_FLCK | Int | 266 | L4CFG_L3_GICLK | CORE_X2_CLK | DPLL_CORE |

Table 5-6. Maximum Supported Frequency (continued)

| MODULE | | | | CLOCK SOURCES | | |
|---------------|------------------|------------|--------------------------|------------------|-------------------------------|-------------------------|
| INSTANCE NAME | INPUT CLOCK NAME | CLOCK TYPE | MAX. CLOCK ALLOWED (MHz) | PRCM CLOCK NAME | PLL / OSC / SOURCE CLOCK NAME | PLL / OSC / SOURCE NAME |
| McASP1 | MCASP1_AHCLKR | Func | 100 | MCASP1_AHCLKR | ABE_24M_GFCLK | DPLL_ABE |
| | | | | | ABE_SYS_CLK | OSC0 |
| | | | | | FUNC_24M_GFCLK | DPLL_PER |
| | | | | | ATL_CLK0 | Module ATL |
| | | | | | ATL_CLK1 | Module ATL |
| | | | | | ATL_CLK2 | Module ATL |
| | | | | | ATL_CLK3 | Module ATL |
| | | | | | SYS_CLK2 | OSC1 |
| | | | | | XREF_CLK0 | XREF_CLK0 |
| | | | | | XREF_CLK1 | XREF_CLK1 |
| | | | | | XREF_CLK2 | XREF_CLK2 |
| | | | | | XREF_CLK3 | XREF_CLK3 |
| | | | | | MLB_CLK | Module MLB |
| | | | | | MLBP_CLK | Module MLB |
| McASP1 | MCASP1_AHCLKX | Func | 100 | MCASP1_AHCLKX | ABE_24M_GFCLK | DPLL_ABE |
| | | | | | ABE_SYS_CLK | OSC0 |
| | | | | | FUNC_24M_GFCLK | DPLL_PER |
| | | | | | ATL_CLK0 | Module ATL |
| | | | | | ATL_CLK1 | Module ATL |
| | | | | | ATL_CLK2 | Module ATL |
| | | | | | ATL_CLK3 | Module ATL |
| | | | | | SYS_CLK2 | OSC1 |
| | | | | | XREF_CLK0 | XREF_CLK0 |
| | | | | | XREF_CLK1 | XREF_CLK1 |
| | | | | | XREF_CLK2 | XREF_CLK2 |
| | | | | | XREF_CLK3 | XREF_CLK3 |
| | | | | | MLB_CLK | Module MLB |
| | | | | | MLBP_CLK | Module MLB |
| McASP1 | MCASP1_FCLK | Func | 192 | MCASP1_AUX_GFCLK | PER_ABE_X1_GFCLK | DPLL_ABE |
| | | | | | VIDEO1_CLK | DPLL_VIDEO1 |
| | | | | | HDMI_CLK | DPLL_HDMI |
| | | | | | MCASP1_ICLK | Int |

Table 5-6. Maximum Supported Frequency (continued)

| MODULE | | | | CLOCK SOURCES | | |
|---------------|------------------|------------|--------------------------|------------------|-------------------------------|-------------------------|
| INSTANCE NAME | INPUT CLOCK NAME | CLOCK TYPE | MAX. CLOCK ALLOWED (MHz) | PRCM CLOCK NAME | PLL / OSC / SOURCE CLOCK NAME | PLL / OSC / SOURCE NAME |
| McASP2 | MCASP2_AHCLKR | Func | 100 | MCASP2_AHCLKR | ABE_24M_GFCLK | DPLL_ABE |
| | | | | | ABE_SYS_CLK | OSC0 |
| | | | | | FUNC_24M_GFCLK | DPLL_PER |
| | | | | | ATL_CLK0 | Module ATL |
| | | | | | ATL_CLK1 | Module ATL |
| | | | | | ATL_CLK2 | Module ATL |
| | | | | | ATL_CLK3 | Module ATL |
| | | | | | SYS_CLK2 | OSC1 |
| | | | | | XREF_CLK0 | XREF_CLK0 |
| | | | | | XREF_CLK1 | XREF_CLK1 |
| | | | | | XREF_CLK2 | XREF_CLK2 |
| | | | | | XREF_CLK3 | XREF_CLK3 |
| | | | | | MLB_CLK | Module MLB |
| | | | | | MLBP_CLK | Module MLB |
| McASP2 | MCASP2_AHCLKX | Func | 100 | MCASP2_AHCLKX | ABE_24M_GFCLK | DPLL_ABE |
| | | | | | ABE_SYS_CLK | OSC0 |
| | | | | | FUNC_24M_GFCLK | DPLL_PER |
| | | | | | ATL_CLK0 | Module ATL |
| | | | | | ATL_CLK1 | Module ATL |
| | | | | | ATL_CLK2 | Module ATL |
| | | | | | ATL_CLK3 | Module ATL |
| | | | | | SYS_CLK2 | OSC1 |
| | | | | | XREF_CLK0 | XREF_CLK0 |
| | | | | | XREF_CLK1 | XREF_CLK1 |
| | | | | | XREF_CLK2 | XREF_CLK2 |
| | | | | | XREF_CLK3 | XREF_CLK3 |
| | | | | | MLB_CLK | Module MLB |
| | | | | | MLBP_CLK | Module MLB |
| McASP2 | MCASP2_FCLK | Func | 192 | MCASP2_AUX_GFCLK | PER_ABE_X1_GFCLK | DPLL_ABE |
| | | | | | VIDEO1_CLK | DPLL_VIDEO1 |
| | | | | | HDMI_CLK | DPLL_HDMI |
| | | | | | MCASP2_ICLK | Int |

Table 5-6. Maximum Supported Frequency (continued)

| MODULE | | | | CLOCK SOURCES | | |
|---------------|------------------|------------|--------------------------|-----------------|-------------------------------|-------------------------|
| INSTANCE NAME | INPUT CLOCK NAME | CLOCK TYPE | MAX. CLOCK ALLOWED (MHz) | PRCM CLOCK NAME | PLL / OSC / SOURCE CLOCK NAME | PLL / OSC / SOURCE NAME |
| McASP3 | MCASP3_AHCLKX | Func | 100 | MCASP3_AHCLKX | ABE_24M_GFCLK | DPLL_ABE |
| | | | | | ABE_SYS_CLK | OSC0 |
| | | | | | FUNC_24M_GFCLK | DPLL_PER |
| | | | | | ATL_CLK0 | Module ATL |
| | | | | | ATL_CLK1 | Module ATL |
| | | | | | ATL_CLK2 | Module ATL |
| | | | | | ATL_CLK3 | Module ATL |
| | | | | | SYS_CLK2 | OSC1 |
| | | | | | XREF_CLK0 | XREF_CLK0 |
| | | | | | XREF_CLK1 | XREF_CLK1 |
| | | | | | XREF_CLK2 | XREF_CLK2 |
| | | | | | XREF_CLK3 | XREF_CLK3 |
| | | | | | MLB_CLK | Module MLB |
| | | | | | MLBP_CLK | Module MLB |
| | | | | | McASP3 | MCASP3_FCLK |
| VIDEO1_CLK | DPLL_ABE | | | | | |
| HDMI_CLK | DPLL_HDMI | | | | | |
| McASP3 | MCASP3_ICLK | Int | 266 | L4PER2_L3_GICLK | CORE_X2_CLK | DPLL_CORE |
| McASP4 | MCASP4_AHCLKX | Func | 100 | MCASP4_AHCLKX | ABE_24M_GFCLK | DPLL_ABE |
| | | | | | ABE_SYS_CLK | OSC0 |
| | | | | | FUNC_24M_GFCLK | DPLL_PER |
| | | | | | ATL_CLK0 | Module ATL |
| | | | | | ATL_CLK1 | Module ATL |
| | | | | | ATL_CLK2 | Module ATL |
| | | | | | ATL_CLK3 | Module ATL |
| | | | | | SYS_CLK2 | OSC1 |
| | | | | | XREF_CLK0 | XREF_CLK0 |
| | | | | | XREF_CLK1 | XREF_CLK1 |
| | | | | | XREF_CLK2 | XREF_CLK2 |
| | | | | | XREF_CLK3 | XREF_CLK3 |
| | | | | | MLB_CLK | Module MLB |
| | | | | | MLBP_CLK | Module MLB |
| | | | | | McASP4 | MCASP4_FCLK |
| VIDEO1_CLK | DPLL_ABE | | | | | |
| HDMI_CLK | DPLL_HDMI | | | | | |
| McASP4 | MCASP4_ICLK | Int | 266 | L4PER2_L3_GICLK | CORE_X2_CLK | DPLL_CORE |

Table 5-6. Maximum Supported Frequency (continued)

| MODULE | | | | CLOCK SOURCES | | |
|---------------|------------------|------------|--------------------------|-----------------|-------------------------------|-------------------------|
| INSTANCE NAME | INPUT CLOCK NAME | CLOCK TYPE | MAX. CLOCK ALLOWED (MHz) | PRCM CLOCK NAME | PLL / OSC / SOURCE CLOCK NAME | PLL / OSC / SOURCE NAME |
| McASP5 | MCASP5_AHCLKX | Func | 100 | MCASP5_AHCLKX | ABE_24M_GFCLK | DPLL_ABE |
| | | | | | ABE_SYS_CLK | OSC0 |
| | | | | | FUNC_24M_GFCLK | DPLL_PER |
| | | | | | ATL_CLK0 | Module ATL |
| | | | | | ATL_CLK1 | Module ATL |
| | | | | | ATL_CLK2 | Module ATL |
| | | | | | ATL_CLK3 | Module ATL |
| | | | | | SYS_CLK2 | OSC1 |
| | | | | | XREF_CLK0 | XREF_CLK0 |
| | | | | | XREF_CLK1 | XREF_CLK1 |
| | | | | | XREF_CLK2 | XREF_CLK2 |
| | | | | | XREF_CLK3 | XREF_CLK3 |
| | | | | | MLB_CLK | Module MLB |
| | | | | | MLBP_CLK | Module MLB |
| | | | | | McASP5 | MCASP5_FCLK |
| VIDEO1_CLK | DPLL_ABE | | | | | |
| HDMI_CLK | DPLL_HDMI | | | | | |
| McASP5 | MCASP5_ICLK | Int | 266 | L4PER2_L3_GICLK | CORE_X2_CLK | DPLL_CORE |
| McASP6 | MCASP6_AHCLKX | Func | 100 | MCASP6_AHCLKX | ABE_24M_GFCLK | DPLL_ABE |
| | | | | | FUNC_24M_GFCLK | DPLL_PER |
| | | | | | ATL_CLK0 | Module ATL |
| | | | | | ATL_CLK1 | Module ATL |
| | | | | | ATL_CLK2 | Module ATL |
| | | | | | ATL_CLK3 | Module ATL |
| | | | | | MLB_CLK | Module MLB |
| | | | | | MLBP_CLK | Module MLB |
| | | | | | ABE_SYS_CLK | OSC0 |
| | | | | | SYS_CLK2 | OSC1 |
| | | | | | XREF_CLK0 | XREF_CLK0 |
| | | | | | XREF_CLK1 | XREF_CLK1 |
| | | | | | XREF_CLK2 | XREF_CLK2 |
| | | | | | XREF_CLK3 | XREF_CLK3 |
| | | | | | McASP6 | MCASP6_FCLK |
| VIDEO1_CLK | DPLL_ABE | | | | | |
| HDMI_CLK | DPLL_HDMI | | | | | |
| McASP6 | MCASP6_ICLK | Int | 266 | L4PER2_L3_GICLK | CORE_X2_CLK | DPLL_CORE |

Table 5-6. Maximum Supported Frequency (continued)

| MODULE | | | | CLOCK SOURCES | | |
|---------------|------------------|-------------|--------------------------|-----------------|-------------------------------|-------------------------|
| INSTANCE NAME | INPUT CLOCK NAME | CLOCK TYPE | MAX. CLOCK ALLOWED (MHz) | PRCM CLOCK NAME | PLL / OSC / SOURCE CLOCK NAME | PLL / OSC / SOURCE NAME |
| McASP7 | MCASP7_AHCLKX | Func | 100 | MCASP7_AHCLKX | ABE_24M_GFCLK | DPLL_ABE |
| | | | | | ABE_SYS_CLK | OSC0 |
| | | | | | FUNC_24M_GFCLK | DPLL_PER |
| | | | | | ATL_CLK0 | Module ATL |
| | | | | | ATL_CLK1 | Module ATL |
| | | | | | ATL_CLK2 | Module ATL |
| | | | | | ATL_CLK3 | Module ATL |
| | | | | | SYS_CLK2 | OSC1 |
| | | | | | XREF_CLK0 | XREF_CLK0 |
| | | | | | XREF_CLK1 | XREF_CLK1 |
| | | | | | XREF_CLK2 | XREF_CLK2 |
| | | | | | XREF_CLK3 | XREF_CLK3 |
| | MLB_CLK | Module MLB | | | | |
| | MLBP_CLK | Module MLB | | | | |
| | McASP7 | MCASP7_FCLK | Func | 192 | MCASP7_AUX_GFCLK | PER_ABE_X1_GFCLK |
| VIDEO1_CLK | | | | | | DPLL_ABE |
| HDMI_CLK | | | | | | DPLL_HDMI |
| McASP7 | MCASP7_ICLK | Int | 266 | L4PER2_L3_GICLK | CORE_X2_CLK | DPLL_CORE |
| McASP8 | MCASP8_AHCLKX | Func | 100 | MCASP8_AHCLKX | ABE_24M_GFCLK | DPLL_ABE |
| | | | | | ABE_SYS_CLK | OSC0 |
| | | | | | FUNC_24M_GFCLK | DPLL_PER |
| | | | | | ATL_CLK0 | Module ATL |
| | | | | | ATL_CLK1 | Module ATL |
| | | | | | ATL_CLK2 | Module ATL |
| | | | | | ATL_CLK3 | Module ATL |
| | | | | | SYS_CLK2 | OSC1 |
| | | | | | XREF_CLK0 | XREF_CLK0 |
| | | | | | XREF_CLK1 | XREF_CLK1 |
| | | | | | XREF_CLK2 | XREF_CLK2 |
| | | | | | XREF_CLK3 | XREF_CLK3 |
| | MLB_CLK | Module MLB | | | | |
| | MLBP_CLK | Module MLB | | | | |
| | McASP8 | MCASP8_FCLK | Func | 192 | MCASP8_AUX_GFCLK | PER_ABE_X1_GFCLK |
| VIDEO1_CLK | | | | | | DPLL_ABE |
| HDMI_CLK | | | | | | DPLL_HDMI |
| McASP8 | MCASP8_ICLK | Int | 266 | L4PER2_L3_GICLK | CORE_X2_CLK | DPLL_CORE |
| McSPI1 | SPI1_ICLK | Int | 266 | L4PER_L3_GICLK | CORE_X2_CLK | DPLL_CORE |
| | SPI1_FCLK | Func | 48 | PER_48M_GFCLK | PER_48M_GFCLK | DPLL_PER |
| McSPI2 | SPI2_ICLK | Int | 266 | L4PER_L3_GICLK | CORE_X2_CLK | DPLL_CORE |
| | SPI2_FCLK | Func | 48 | PER_48M_GFCLK | PER_48M_GFCLK | DPLL_PER |
| McSPI3 | SPI3_ICLK | Int | 266 | L4PER_L3_GICLK | CORE_X2_CLK | DPLL_CORE |
| | SPI3_FCLK | Func | 48 | PER_48M_GFCLK | PER_48M_GFCLK | DPLL_PER |

Table 5-6. Maximum Supported Frequency (continued)

| MODULE | | | | CLOCK SOURCES | | |
|---------------|----------------------|------------|--------------------------|------------------|-------------------------------|-------------------------|
| INSTANCE NAME | INPUT CLOCK NAME | CLOCK TYPE | MAX. CLOCK ALLOWED (MHz) | PRCM CLOCK NAME | PLL / OSC / SOURCE CLOCK NAME | PLL / OSC / SOURCE NAME |
| McSPI4 | SPI4_ICLK | Int | 266 | L4PER_L3_GICLK | CORE_X2_CLK | DPLL_CORE |
| | SPI4_FCLK | Func | 48 | PER_48M_GFCLK | PER_48M_GFCLK | DPLL_PER |
| MLB_SS | MLB_L3_ICLK | Int | 266 | MLB_SHB_L3_GICLK | CORE_X2_CLK | DPLL_CORE |
| | MLB_L4_ICLK | Int | 133 | MLB_SPB_L4_GICLK | CORE_X2_CLK | DPLL_CORE |
| | MLB_FCLK | Func | 266 | MLB_SYS_L3_GFCLK | CORE_X2_CLK | DPLL_CORE |
| CSI2_0 | CTRLCLK | Int & Func | 96 | LVDSRX_96M_GFCLK | FUNC_192M_CLK | DPLL_PER |
| | CAL_FCLK | Int & Func | 266 | CAL_GICLK | CORE_ISS_MAIN_CLK | DPLL_CORE |
| | | | | | L3_ICLK | CM_CORE_AON |
| MMC1 | MMC1_CLK_32K | Func | 0.032 | L3INIT_32K_GFCLK | FUNC_32K_CLK | OSC0 |
| | MMC1_FCLK | Func | 192 | MMC1_GFCLK | FUNC_192M_CLK | DPLL_PER |
| | | | 128 | | FUNC_256M_CLK | DPLL_PER |
| | MMC1_ICLK1 | Int | 266 | L3INIT_L3_GICLK | CORE_X2_CLK | DPLL_CORE |
| | MMC1_ICLK2 | Int | 133 | L3INIT_L4_GICLK | CORE_X2_CLK | DPLL_CORE |
| MMC2 | MMC2_CLK_32K | Func | 0.032 | L3INIT_32K_GFCLK | FUNC_32K_CLK | OSC0 |
| | MMC2_FCLK | Func | 192 | MMC2_GFCLK | FUNC_192M_CLK | DPLL_PER |
| | | | 128 | | FUNC_256M_CLK | DPLL_PER |
| | MMC2_ICLK1 | Int | 266 | L3INIT_L3_GICLK | CORE_X2_CLK | DPLL_CORE |
| | MMC2_ICLK2 | Int | 133 | L3INIT_L4_GICLK | CORE_X2_CLK | DPLL_CORE |
| MMC3 | MMC3_ICLK | Int | 266 | L4PER_L3_GICLK | CORE_X2_CLK | DPLL_CORE |
| | MMC3_CLK_32K | Func | 0.032 | L4PER_32K_GFCLK | FUNC_32K_CLK | OSC0 |
| | MMC3_FCLK | Func | 48 | MMC3_GFCLK | FUNC_192M_CLK | DPLL_PER |
| 192 | | | | | | |
| MMC4 | MMC4_ICLK | Int | 266 | L4PER_L3_GICLK | CORE_X2_CLK | DPLL_CORE |
| | MMC4_CLK_32K | Func | 0.032 | L4PER_32K_GFCLK | FUNC_32K_CLK | OSC0 |
| | MMC4_FCLK | Func | 48 | MMC4_GFCLK | FUNC_192M_CLK | DPLL_PER |
| 192 | | | | | | |
| MMU_EDMA | MMU1_CLK | Int | 266 | L3MAIN1_L3_GICLK | CORE_X2_CLK | DPLL_CORE |
| MMU_PCIESS | MMU2_CLK | Int | 266 | L3MAIN1_L3_GICLK | CORE_X2_CLK | DPLL_CORE |
| MPU | MPU_CLK | Int & Func | MPU_CLK | MPU_GCLK | MPU_GCLK | DPLL_MPU |
| MPU_EMU_DBG | FCLK | Int | 38.4 | EMU_SYS_CLK | SYS_CLK1 | OSC0 |
| | | | | | MPU_GCLK | DPLL_MPU |
| OCMC_RAM1 | OCMC1_L3_CLK | Int | 266 | L3MAIN1_L3_GICLK | CORE_X2_CLK | DPLL_CORE |
| OCMC_ROM | OCMC_L3_CLK | Int | 266 | L3MAIN1_L3_GICLK | CORE_X2_CLK | DPLL_CORE |
| OCP_WP_NOC | PICLKOCPL3 | Int | 266 | L3INSTR_L3_GICLK | CORE_X2_CLK | DPLL_CORE |
| OCP2SCP1 | L4CFG1_ADAPTER_CLKIN | Int | 133 | L3INIT_L4_GICLK | CORE_X2_CLK | DPLL_CORE |
| OCP2SCP2 | L4CFG2_ADAPTER_CLKIN | Int | 133 | L4CFG_L4_GICLK | CORE_X2_CLK | DPLL_CORE |
| OCP2SCP3 | L4CFG3_ADAPTER_CLKIN | Int | 133 | L3INIT_L4_GICLK | CORE_X2_CLK | DPLL_CORE |

Table 5-6. Maximum Supported Frequency (continued)

| MODULE | | | | CLOCK SOURCES | | |
|------------------|--------------------|------------|--------------------------|-------------------|-------------------------------|-------------------------|
| INSTANCE NAME | INPUT CLOCK NAME | CLOCK TYPE | MAX. CLOCK ALLOWED (MHz) | PRCM CLOCK NAME | PLL / OSC / SOURCE CLOCK NAME | PLL / OSC / SOURCE NAME |
| PCle_SS1 | PCIE1_PHY_WKUP_CLK | Func | 0.032 | PCIE_32K_GFCLK | FUNC_32K_CLK | DPLL_CORE |
| | PCle_SS1_FICLK | Int | 266 | PCIE_L3_GICLK | CORE_X2_CLK | |
| | PCIEPHY_CLK | Func | 2500 | PCIE_PHY_GCLK | PCIE_PHY_GCLK | APLL_PCIE |
| | PCIEPHY_CLK_DIV | Func | 1250 | PCIE_PHY_DIV_GCLK | PCIE_PHY_DIV_GCLK | APLL_PCIE |
| | PCIE1_REF_CLKIN | Func | 34.3 | PCIE_REF_GFCLK | CORE_USB_OTG_SS_LFPS_TX_CLK | DPLL_CORE |
| | PCIE1_PWR_CLK | Func | 38.4 | PCIE_SYS_GFCLK | SYS_CLK1 | OSC0 |
| PCle_SS2 | PCIE2_PHY_WKUP_CLK | Func | 0.032 | PCIE_32K_GFCLK | FUNC_32K_CLK | DPLL_CORE |
| | PCle_SS2_FICLK | Int | 266 | PCIE_L3_GICLK | CORE_X2_CLK | |
| | PCIEPHY_CLK | Func | 2500 | PCIE_PHY_GCLK | PCIE_PHY_GCLK | APLL_PCIE |
| | PCIEPHY_CLK_DIV | Func | 1250 | PCIE_PHY_DIV_GCLK | PCIE_PHY_DIV_GCLK | APLL_PCIE |
| | PCIE2_REF_CLKIN | Func | 34.3 | PCIE_REF_GFCLK | CORE_USB_OTG_SS_LFPS_TX_CLK | DPLL_CORE |
| | PCIE2_PWR_CLK | Func | 38.4 | PCIE_SYS_GFCLK | SYS_CLK1 | OSC0 |
| PRCM_MPU | 32K_CLK | Func | 0.032 | FUNC_32K_CLK | SYS_CLK1/610 | OSC0 |
| | SYS_CLK | Func | 38.4 | WKUPAON_ICLK | SYS_CLK1 | OSC0 |
| | | | | | DPLL_ABE_X2_CLK | DPLL_ABE |
| PWMSS1 | PWMSS1_GICLK | Int & Func | 266 | L4PER2_L3_GICLK | CORE_X2_CLK | DPLL_CORE |
| PWMSS2 | PWMSS2_GICLK | Int & Func | 266 | L4PER2_L3_GICLK | CORE_X2_CLK | DPLL_CORE |
| PWMSS3 | PWMSS3_GICLK | Int & Func | 266 | L4PER2_L3_GICLK | CORE_X2_CLK | DPLL_CORE |
| QSPI | QSPI_ICLK | Int | 266 | L4PER2_L3_GICLK | CORE_X2_CLK | DPLL_CORE |
| | QSPI_FCLK | Func | 128 | QSPI_GFCLK | FUNC_256M_CLK | DPLL_PER |
| | | | | | PER_QSPI_CLK | DPLL_PER |
| RNG | RNG_ICLK | Int | 266 | L4SEC_L3_GICLK | CORE_X2_CLK | DPLL_CORE |
| SAR_ROM | PRCM_ROM_CLOCK | Int | 266 | L4CFG_L3_GICLK | CORE_X2_CLK | DPLL_CORE |
| SDMA | SDMA_FCLK | Int & Func | 266 | DMA_L3_GICLK | CORE_X2_CLK | DPLL_CORE |
| SHA2MD51 | SHAM_1_CLK | Int | 266 | L4SEC_L3_GICLK | CORE_X2_CLK | DPLL_CORE |
| SHA2MD52 | SHAM_2_CLK | Int | 266 | L4SEC_L3_GICLK | CORE_X2_CLK | DPLL_CORE |
| SL2 | IVA_GCLK | Int | IVA_GCLK | IVA_GCLK | IVA_GFCLK | DPLL_IVA |
| SMARTREFLEX_CORE | MCLK | Int | 133 | COREAON_L4_GICLK | CORE_X2_CLK | DPLL_CORE |
| | SYSCLK | Func | 38.4 | WKUPAON_ICLK | SYS_CLK1 | OSC0 |
| | | | | | DPLL_ABE_X2_CLK | DPLL_ABE |
| SMARTREFLEX_DSP | MCLK | Int | 133 | COREAON_L4_GICLK | CORE_X2_CLK | DPLL_CORE |
| | SYSCLK | Func | 38.4 | WKUPAON_ICLK | SYS_CLK1 | OSC0 |
| | | | | | DPLL_ABE_X2_CLK | DPLL_ABE |

Table 5-6. Maximum Supported Frequency (continued)

| MODULE | | | | CLOCK SOURCES | | |
|-----------------------|------------------|------------|--------------------------|------------------|-------------------------------|-------------------------|
| INSTANCE NAME | INPUT CLOCK NAME | CLOCK TYPE | MAX. CLOCK ALLOWED (MHz) | PRCM CLOCK NAME | PLL / OSC / SOURCE CLOCK NAME | PLL / OSC / SOURCE NAME |
| SMARTREFLEX_G PU | MCLK | Int | 133 | COREAON_L4_GICLK | CORE_X2_CLK | DPLL_CORE |
| | SYSCLK | Func | 38.4 | WKUPAON_ICLK | SYS_CLK1 DPLL_ABE_X2_CLK | OSC0 DPLL_ABE |
| SMARTREFLEX_I VAHD | MCLK | Int | 133 | COREAON_L4_GICLK | CORE_X2_CLK | DPLL_CORE |
| | SYSCLK | Func | 38.4 | WKUPAON_ICLK | SYS_CLK1 DPLL_ABE_X2_CLK | OSC0 DPLL_ABE |
| SMARTREFLEX_M PU | MCLK | Int | 133 | COREAON_L4_GICLK | CORE_X2_CLK | DPLL_CORE |
| | SYSCLK | Func | 38.4 | WKUPAON_ICLK | SYS_CLK1 DPLL_ABE_X2_CLK | OSC0 DPLL_ABE |
| SPINLOCK | SPINLOCK_ICLK | Int | 266 | L4CFG_L3_GICLK | CORE_X2_CLK | DPLL_CORE |
| TIMER1 | TIMER1_ICLK | Int | 38.4 | WKUPAON_GICLK | SYS_CLK1 | OSC0 |
| | | | | | DPLL_ABE_X2_CLK | DPLL_ABE |
| | TIMER1_FCLK | Func | 100 | TIMER1_GFCLK | SYS_CLK1 | OSC0 |
| | | | | | FUNC_32K_CLK | OSC0 |
| | | | | | SYS_CLK2 | OSC1 |
| | | | | | XREF_CLK0 | XREF_CLK0 |
| | | | | | XREF_CLK1 | XREF_CLK1 |
| | | | | | XREF_CLK2 | XREF_CLK2 |
| | | | | | XREF_CLK3 | XREF_CLK3 |
| | | | | | DPLL_ABE_X2_CLK | DPLL_ABE |
| VIDEO1_CLK | DPLL_VIDEO1 | | | | | |
| HDMI_CLK | DPLL_HDMI | | | | | |
| TIMER2 | TIMER2_ICLK | Int | 266 | L4PER_L3_GICLK | CORE_X2_CLK | DPLL_CORE |
| | | | | | SYS_CLK1 | OSC0 |
| | TIMER2_FCLK | Func | 100 | TIMER2_GFCLK | FUNC_32K_CLK | OSC0 |
| | | | | | SYS_CLK2 | OSC1 |
| | | | | | XREF_CLK0 | XREF_CLK0 |
| | | | | | XREF_CLK1 | XREF_CLK1 |
| | | | | | XREF_CLK2 | XREF_CLK2 |
| | | | | | XREF_CLK3 | XREF_CLK3 |
| | | | | | DPLL_ABE_X2_CLK | DPLL_ABE |
| | | | | | VIDEO1_CLK | DPLL_VIDEO1 |
| HDMI_CLK | DPLL_HDMI | | | | | |

Table 5-6. Maximum Supported Frequency (continued)

| MODULE | | | | CLOCK SOURCES | | |
|---------------|------------------|------------|--------------------------|-----------------|-------------------------------|-------------------------|
| INSTANCE NAME | INPUT CLOCK NAME | CLOCK TYPE | MAX. CLOCK ALLOWED (MHz) | PRCM CLOCK NAME | PLL / OSC / SOURCE CLOCK NAME | PLL / OSC / SOURCE NAME |
| TIMER3 | TIMER3_ICLK | Int | 266 | L4PER_L3_GICLK | CORE_X2_CLK | DPLL_CORE |
| | TIMER3_FCLK | Func | 100 | TIMER3_GFCLK | SYS_CLK1 | OSC0 |
| | | | | | FUNC_32K_CLK | OSC0 |
| | | | | | SYS_CLK2 | OSC1 |
| | | | | | XREF_CLK0 | XREF_CLK0 |
| | | | | | XREF_CLK1 | XREF_CLK1 |
| | | | | | XREF_CLK2 | XREF_CLK2 |
| | | | | | XREF_CLK3 | XREF_CLK3 |
| | | | | | DPLL_ABE_X2_CLK | DPLL_ABE |
| VIDEO1_CLK | DPLL_VIDEO1 | | | | | |
| HDMI_CLK | DPLL_HDMI | | | | | |
| TIMER4 | TIMER4_ICLK | Int | 266 | L4PER_L3_GICLK | CORE_X2_CLK | DPLL_CORE |
| | TIMER4_FCLK | Func | 100 | TIMER4_GFCLK | SYS_CLK1 | OSC0 |
| | | | | | FUNC_32K_CLK | OSC0 |
| | | | | | SYS_CLK2 | OSC1 |
| | | | | | XREF_CLK0 | XREF_CLK0 |
| | | | | | XREF_CLK1 | XREF_CLK1 |
| | | | | | XREF_CLK2 | XREF_CLK2 |
| | | | | | XREF_CLK3 | XREF_CLK3 |
| | | | | | DPLL_ABE_X2_CLK | DPLL_ABE |
| VIDEO1_CLK | DPLL_VIDEO1 | | | | | |
| HDMI_CLK | DPLL_HDMI | | | | | |
| TIMER5 | TIMER5_ICLK | Int | 266 | IPU_L3_GICLK | CORE_X2_CLK | DPLL_CORE |
| | TIMER5_FCLK | Func | 100 | TIMER5_GFCLK | SYS_CLK1 | OSC0 |
| | | | | | FUNC_32K_CLK | OSC0 |
| | | | | | SYS_CLK2 | OSC1 |
| | | | | | XREF_CLK0 | XREF_CLK0 |
| | | | | | XREF_CLK1 | XREF_CLK1 |
| | | | | | XREF_CLK2 | XREF_CLK2 |
| | | | | | XREF_CLK3 | XREF_CLK3 |
| | | | | | DPLL_ABE_X2_CLK | DPLL_ABE |
| VIDEO1_CLK | DPLL_VIDEO1 | | | | | |
| HDMI_CLK | DPLL_HDMI | | | | | |
| CLKOUTMUX[0] | CLKOUTMUX[0] | | | | | |

Table 5-6. Maximum Supported Frequency (continued)

| MODULE | | | | CLOCK SOURCES | | |
|---------------|------------------|------------|--------------------------|-----------------|-------------------------------|-------------------------|
| INSTANCE NAME | INPUT CLOCK NAME | CLOCK TYPE | MAX. CLOCK ALLOWED (MHz) | PRCM CLOCK NAME | PLL / OSC / SOURCE CLOCK NAME | PLL / OSC / SOURCE NAME |
| TIMER6 | TIMER6_ICLK | Int | 266 | IPU_L3_GICLK | CORE_X2_CLK | DPLL_CORE |
| | TIMER6_FCLK | Func | 100 | TIMER6_GFCLK | SYS_CLK1 | OSC0 |
| | | | | | FUNC_32K_CLK | OSC0 |
| | | | | | SYS_CLK2 | OSC1 |
| | | | | | XREF_CLK0 | XREF_CLK0 |
| | | | | | XREF_CLK1 | XREF_CLK1 |
| | | | | | XREF_CLK2 | XREF_CLK2 |
| | | | | | XREF_CLK3 | XREF_CLK3 |
| | | | | | DPLL_ABE_X2_CLK | DPLL_ABE |
| | | | | | VIDEO1_CLK | DPLL_VIDEO1 |
| HDMI_CLK | DPLL_HDMI | | | | | |
| CLKOUTMUX[0] | CLKOUTMUX[0] | | | | | |
| TIMER7 | TIMER7_ICLK | Int | 266 | IPU_L3_GICLK | CORE_X2_CLK | DPLL_CORE |
| | TIMER7_FCLK | Func | 100 | TIMER7_GFCLK | SYS_CLK1 | OSC0 |
| | | | | | FUNC_32K_CLK | OSC0 |
| | | | | | SYS_CLK2 | OSC1 |
| | | | | | XREF_CLK0 | XREF_CLK0 |
| | | | | | XREF_CLK1 | XREF_CLK1 |
| | | | | | XREF_CLK2 | XREF_CLK2 |
| | | | | | XREF_CLK3 | XREF_CLK3 |
| | | | | | DPLL_ABE_X2_CLK | DPLL_ABE |
| | | | | | VIDEO1_CLK | DPLL_VIDEO1 |
| HDMI_CLK | DPLL_HDMI | | | | | |
| CLKOUTMUX[0] | CLKOUTMUX[0] | | | | | |
| TIMER8 | TIMER8_ICLK | Int | 266 | IPU_L3_GICLK | CORE_X2_CLK | DPLL_CORE |
| | TIMER8_FCLK | Func | 100 | TIMER8_GFCLK | SYS_CLK1 | OSC0 |
| | | | | | FUNC_32K_CLK | OSC0 |
| | | | | | SYS_CLK2 | OSC1 |
| | | | | | XREF_CLK0 | XREF_CLK0 |
| | | | | | XREF_CLK1 | XREF_CLK1 |
| | | | | | XREF_CLK2 | XREF_CLK2 |
| | | | | | XREF_CLK3 | XREF_CLK3 |
| | | | | | DPLL_ABE_X2_CLK | DPLL_ABE |
| | | | | | VIDEO1_CLK | DPLL_VIDEO1 |
| HDMI_CLK | DPLL_HDMI | | | | | |
| CLKOUTMUX[0] | CLKOUTMUX[0] | | | | | |

Table 5-6. Maximum Supported Frequency (continued)

| MODULE | | | | CLOCK SOURCES | | |
|---------------|------------------|------------|--------------------------|-----------------|-------------------------------|-------------------------|
| INSTANCE NAME | INPUT CLOCK NAME | CLOCK TYPE | MAX. CLOCK ALLOWED (MHz) | PRCM CLOCK NAME | PLL / OSC / SOURCE CLOCK NAME | PLL / OSC / SOURCE NAME |
| TIMER9 | TIMER9_ICLK | Int | 266 | L4PER_L3_GICLK | CORE_X2_CLK | DPLL_CORE |
| | TIMER9_FCLK | Func | 100 | TIMER9_GFCLK | SYS_CLK1 | OSC0 |
| | | | | | FUNC_32K_CLK | OSC0 |
| | | | | | SYS_CLK2 | OSC1 |
| | | | | | XREF_CLK0 | XREF_CLK0 |
| | | | | | XREF_CLK1 | XREF_CLK1 |
| | | | | | XREF_CLK2 | XREF_CLK2 |
| | | | | | XREF_CLK3 | XREF_CLK3 |
| | | | | | DPLL_ABE_X2_CLK | DPLL_ABE |
| VIDEO1_CLK | DPLL_VIDEO1 | | | | | |
| HDMI_CLK | DPLL_HDMI | | | | | |
| TIMER10 | TIMER10_ICLK | Int | 266 | L4PER_L3_GICLK | CORE_X2_CLK | DPLL_CORE |
| | TIMER10_FCLK | Func | 100 | TIMER10_GFCLK | SYS_CLK1 | OSC0 |
| | | | | | FUNC_32K_CLK | OSC0 |
| | | | | | SYS_CLK2 | OSC1 |
| | | | | | XREF_CLK0 | XREF_CLK0 |
| | | | | | XREF_CLK1 | XREF_CLK1 |
| | | | | | XREF_CLK2 | XREF_CLK2 |
| | | | | | XREF_CLK3 | XREF_CLK3 |
| | | | | | DPLL_ABE_X2_CLK | DPLL_ABE |
| VIDEO1_CLK | DPLL_VIDEO1 | | | | | |
| HDMI_CLK | DPLL_HDMI | | | | | |
| TIMER11 | TIMER11_ICLK | Int | 266 | L4PER_L3_GICLK | CORE_X2_CLK | DPLL_CORE |
| | TIMER11_FCLK | Func | 100 | TIMER11_GFCLK | SYS_CLK1 | OSC0 |
| | | | | | FUNC_32K_CLK | OSC0 |
| | | | | | SYS_CLK2 | OSC1 |
| | | | | | XREF_CLK0 | XREF_CLK0 |
| | | | | | XREF_CLK1 | XREF_CLK1 |
| | | | | | XREF_CLK2 | XREF_CLK2 |
| | | | | | XREF_CLK3 | XREF_CLK3 |
| | | | | | DPLL_ABE_X2_CLK | DPLL_ABE |
| VIDEO1_CLK | DPLL_VIDEO1 | | | | | |
| HDMI_CLK | DPLL_HDMI | | | | | |
| TIMER12 | TIMER12_ICLK | Int | 38.4 | WKUPAON_GICLK | SYS_CLK1 | OSC0 |
| | TIMER12_FCLK | Func | 0.032 | OSC_32K_CLK | DPLL_ABE_X2_CLK | DPLL_ABE |
| | | | | | RC_CLK | RC oscillator |

Table 5-6. Maximum Supported Frequency (continued)

| MODULE | | | | CLOCK SOURCES | | |
|---------------|------------------|------------|--------------------------|-----------------|-------------------------------|-------------------------|
| INSTANCE NAME | INPUT CLOCK NAME | CLOCK TYPE | MAX. CLOCK ALLOWED (MHz) | PRCM CLOCK NAME | PLL / OSC / SOURCE CLOCK NAME | PLL / OSC / SOURCE NAME |
| TIMER13 | TIMER13_ICLK | Int | 266 | L4PER3_L3_GICLK | CORE_X2_CLK | DPLL_CORE |
| | TIMER13_FCLK | Func | 100 | TIMER13_GFCLK | SYS_CLK1 | OSC0 |
| | | | | | FUNC_32K_CLK | OSC0 |
| | | | | | SYS_CLK2 | OSC1 |
| | | | | | XREF_CLK0 | XREF_CLK0 |
| | | | | | XREF_CLK1 | XREF_CLK1 |
| | | | | | XREF_CLK2 | XREF_CLK2 |
| | | | | | XREF_CLK3 | XREF_CLK3 |
| | | | | | DPLL_ABE_X2_CLK | DPLL_ABE |
| VIDEO1_CLK | DPLL_VIDEO1 | | | | | |
| HDMI_CLK | DPLL_HDMI | | | | | |
| TIMER14 | TIMER14_ICLK | Int | 266 | L4PER3_L3_GICLK | CORE_X2_CLK | DPLL_CORE |
| | TIMER14_FCLK | Func | 100 | TIMER14_GFCLK | SYS_CLK1 | OSC0 |
| | | | | | FUNC_32K_CLK | OSC0 |
| | | | | | SYS_CLK2 | OSC1 |
| | | | | | XREF_CLK0 | XREF_CLK0 |
| | | | | | XREF_CLK1 | XREF_CLK1 |
| | | | | | XREF_CLK2 | XREF_CLK2 |
| | | | | | XREF_CLK3 | XREF_CLK3 |
| | | | | | DPLL_ABE_X2_CLK | DPLL_ABE |
| VIDEO1_CLK | DPLL_VIDEO1 | | | | | |
| HDMI_CLK | DPLL_HDMI | | | | | |
| TIMER15 | TIMER15_ICLK | Int | 266 | L4PER3_L3_GICLK | CORE_X2_CLK | DPLL_CORE |
| | TIMER15_FCLK | Func | 100 | TIMER15_GFCLK | SYS_CLK1 | OSC0 |
| | | | | | FUNC_32K_CLK | OSC0 |
| | | | | | SYS_CLK2 | OSC1 |
| | | | | | XREF_CLK0 | XREF_CLK0 |
| | | | | | XREF_CLK1 | XREF_CLK1 |
| | | | | | XREF_CLK2 | XREF_CLK2 |
| | | | | | XREF_CLK3 | XREF_CLK3 |
| | | | | | DPLL_ABE_X2_CLK | DPLL_ABE |
| VIDEO1_CLK | DPLL_VIDEO1 | | | | | |
| HDMI_CLK | DPLL_HDMI | | | | | |

Table 5-6. Maximum Supported Frequency (continued)

| MODULE | | | | CLOCK SOURCES | | |
|------------------|-------------------|------------|--------------------------|--------------------|-------------------------------|-------------------------|
| INSTANCE NAME | INPUT CLOCK NAME | CLOCK TYPE | MAX. CLOCK ALLOWED (MHz) | PRCM CLOCK NAME | PLL / OSC / SOURCE CLOCK NAME | PLL / OSC / SOURCE NAME |
| TIMER16 | TIMER16_ICLK | Int | 266 | L4PER3_L3_GICLK | CORE_X2_CLK | DPLL_CORE |
| | TIMER16_FCLK | Func | 100 | TIMER16_GFCLK | SYS_CLK1 | OSC0 |
| | | | | | FUNC_32K_CLK | OSC0 |
| | | | | | SYS_CLK2 | OSC1 |
| | | | | | XREF_CLK0 | XREF_CLK0 |
| | | | | | XREF_CLK1 | XREF_CLK1 |
| | | | | | XREF_CLK2 | XREF_CLK2 |
| | | | | | XREF_CLK3 | XREF_CLK3 |
| | | | | | DPLL_ABE_X2_CLK | DPLL_ABE |
| VIDEO1_CLK | DPLL_VIDEO1 | | | | | |
| HDMI_CLK | DPLL_HDMI | | | | | |
| TPCC | TPCC_GCLK | Int | 266 | L3MAIN1_L3_GICLK | CORE_X2_CLK | DPLL_CORE |
| TPTC1 | TPTC0_GCLK | Int | 266 | L3MAIN1_L3_GICLK | CORE_X2_CLK | DPLL_CORE |
| TPTC2 | TPTC1_GCLK | Int | 266 | L3MAIN1_L3_GICLK | CORE_X2_CLK | DPLL_CORE |
| UART1 | UART1_FCLK | Func | 48 | UART1_GFCLK | FUNC_192M_CLK | DPLL_PER |
| | UART1_ICLK | Int | 266 | L4PER_L3_GICLK | CORE_X2_CLK | DPLL_CORE |
| UART2 | UART2_FCLK | Func | 48 | UART2_GFCLK | FUNC_192M_CLK | DPLL_PER |
| | UART2_ICLK | Int | 266 | L4PER_L3_GICLK | CORE_X2_CLK | DPLL_CORE |
| UART3 | UART3_FCLK | Func | 48 | UART3_GFCLK | FUNC_192M_CLK | DPLL_PER |
| | UART3_ICLK | Int | 266 | L4PER_L3_GICLK | CORE_X2_CLK | DPLL_CORE |
| UART4 | UART4_FCLK | Func | 48 | UART4_GFCLK | FUNC_192M_CLK | DPLL_PER |
| | UART4_ICLK | Int | 266 | L4PER_L3_GICLK | CORE_X2_CLK | DPLL_CORE |
| UART5 | UART5_FCLK | Func | 48 | UART5_GFCLK | FUNC_192M_CLK | DPLL_PER |
| | UART5_ICLK | Int | 266 | L4PER_L3_GICLK | CORE_X2_CLK | DPLL_CORE |
| UART6 | UART6_FCLK | Func | 48 | UART6_GFCLK | FUNC_192M_CLK | DPLL_PER |
| | UART6_ICLK | Int | 266 | IPU_L3_GICLK | CORE_X2_CLK | DPLL_CORE |
| UART7 | UART7_FCLK | Func | 48 | UART7_GFCLK | FUNC_192M_CLK | DPLL_PER |
| | UART7_ICLK | Int | 266 | L4PER2_L3_GICLK | CORE_X2_CLK | DPLL_CORE |
| UART8 | UART8_FCLK | Func | 48 | UART8_GFCLK | FUNC_192M_CLK | DPLL_PER |
| | UART8_ICLK | Int | 266 | L4PER2_L3_GICLK | CORE_X2_CLK | DPLL_CORE |
| UART9 | UART9_FCLK | Func | 48 | UART9_GFCLK | FUNC_192M_CLK | DPLL_PER |
| | UART9_ICLK | Int | 266 | L4PER2_L3_GICLK | CORE_X2_CLK | DPLL_CORE |
| UART10 | UART10_FCLK | Func | 48 | UART10_GFCLK | FUNC_192M_CLK | DPLL_PER |
| | UART10_ICLK | Int | 38.4 | WKUPAON_GICLK | SYS_CLK1 | OSC0 |
| USB1 | USB1_MICLK | Int | 266 | L3INIT_L3_GICLK | CORE_X2_CLK | DPLL_CORE |
| | | | | | DPLL_ABE_X2_CLK | DPLL_ABE |
| | USB3PHY_REF_CLK | Func | 34.3 | USB_LFPS_TX_GFCLK | CORE_USB_OTG_SS_LFPS_TX_CLK | DPLL_CORE |
| | USB2PHY1_TREF_CLK | Func | 38.4 | USB_OTG_SS_REF_CLK | SYS_CLK1 | OSC0 |
| USB2PHY1_REF_CLK | Func | 960 | L3INIT_960M_GFCLK | L3INIT_960_GFCLK | DPLL_USB | |

Table 5-6. Maximum Supported Frequency (continued)

| MODULE | | | | CLOCK SOURCES | | |
|---------------|-------------------|------------|--------------------------|--------------------|-------------------------------|-------------------------|
| INSTANCE NAME | INPUT CLOCK NAME | CLOCK TYPE | MAX. CLOCK ALLOWED (MHz) | PRCM CLOCK NAME | PLL / OSC / SOURCE CLOCK NAME | PLL / OSC / SOURCE NAME |
| USB2 | USB2_MICLK | Int | 266 | L3INIT_L3_GICLK | CORE_X2_CLK | DPLL_CORE |
| | USB2PHY2_TREF_CLK | Func | 38.4 | USB_OTG_SS_REF_CLK | SYS_CLK1 | OSC0 |
| | USB2PHY2_REF_CLK | Func | 960 | L3INIT_960M_GFCLK | L3INIT_960_GFCLK | DPLL_USB |
| USB_PHY1_CORE | USB2PHY1_WKUP_CLK | Func | 0.032 | COREAON_32K_GFCLK | SYS_CLK1/610 | OSC0 |
| USB_PHY2_CORE | USB2PHY2_WKUP_CLK | Func | 0.032 | COREAON_32K_GFCLK | SYS_CLK1/610 | OSC0 |
| VIP1 | L3_CLK_PROC_CLK | Int & Func | 266 | VIP1_GICLK | CORE_X2_CLK | DPLL_CORE |
| | | | | | CORE_ISS_MAIN_CLK | DPLL_CORE |
| VPE | L3_CLK_PROC_CLK | Int & Func | 300 | VPE_GICLK | CORE_ISS_MAIN_CLK | DPLL_CORE |
| | | | | | VIDEO1_CLKOUT4 | DPLL_VIDEO1 |
| WD_TIMER1 | PIOCPCLK | Int | 38.4 | WKUPAON_GICLK | SYS_CLK1 | OSC0 |
| | | | | | DPLL_ABE_X2_CLK | DPLL_ABE |
| | PITIMERCLK | Func | 0.032 | OSC_32K_CLK | RC_CLK | RC oscillator |
| WD_TIMER2 | WD_TIMER2_ICLK | Int | 38.4 | WKUPAON_GICLK | SYS_CLK1 | OSC0 |
| | | | | | DPLL_ABE_X2_CLK | DPLL_ABE |
| | WD_TIMER2_FCLK | Func | 0.032 | WKUPAON_SYS_GFC_LK | WKUPAON_32K_GFCLK | |

5.6 Power Consumption Summary

NOTE

Maximum power consumption for this SoC depends on the specific use conditions for the end system. Contact your TI representative for assistance in estimating maximum power consumption for the end system use case.

5.7 Electrical Characteristics

NOTE

The data specified in [Section 5.7](#) through [Section 5.7.3](#) are subject to change.

NOTE

The interfaces or signals described in [Section 5.7](#) through [Section 5.7.3](#) correspond to the interfaces or signals available in multiplexing mode 0 (Function 1).

All interfaces or signals multiplexed on the balls described in these tables have the same DC electrical characteristics, unless multiplexing involves a PHY/GPIO combination in which case different DC electrical characteristics are specified for the different multiplexing modes (Functions).

NOTE

For more information on the I/O cell configurations (i[2:0], sr[1:0]), see the Chapter Control Module of the Device TRM.

Table 5-7. LVCMOS DDR DC Electrical Characteristics

over operating free-air temperature range (unless otherwise noted)

| PARAMETER | | MIN | NOM | MAX | UNIT |
|--|--|-------------------------|------------------|-----------------------|------|
| Signal Names in MUXMODE 0 (Single-Ended Signals): ddr1_d[31:0], ddr1_a[15:0], ddr1_dqm[3:0], ddr1_ba[2:0], ddr1_csn0, ddr1_cke, ddr1_odt0, ddr1_casn, ddr1_rasn, ddr1_wen, ddr1_rst | | | | | |
| Balls: AA23 / AC24 / AB24 / AD24 / AB23 / AC23 / AD23 / AE24 / AA24 / W25 / Y23 / AD25 / AC25 / AB25 / AA25 / W24 / W23 / U25 / U24 / W21 / T22 / U22 / U23 / T21 / T23 / T25 / T24 / P21 / N21 / P22 / P23 / P24 / AC18 / AE19 / AD19 / AB19 / AD20 / AE20 / AA18 / AA20 / Y21 / AC20 / AA21 / AC21 / AC22 / AC15 / AB15 / AC16 / AE23 / W22 / U21 / P25 / AE16 / AA16 / AB16 / AC19 / AB18 / AD18 / AD16 / AD17 / AE18 / AE17 | | | | | |
| Driver Mode | | | | | |
| V _{OH} | High-level output threshold (I _{OH} = 0.1 mA) | 0.9 × V _{DD} S | | | V |
| V _{OL} | Low-level output threshold (I _{OL} = 0.1 mA) | 0.1 × V _{DD} S | | | V |
| C _{PAD} | Pad capacitance (including package capacitance) | 3 | | | pF |
| Z _O | Output impedance (drive strength) | I[2:0] = 000 (Imp80) | 80 | | Ω |
| | | I[2:0] = 001 (Imp60) | 60 | | |
| | | I[2:0] = 010 (Imp48) | 48 | | |
| | | I[2:0] = 011 (Imp40) | 40 | | |
| | | I[2:0] = 100 (Imp34) | 34 | | |
| Single-Ended Receiver Mode | | | | | |
| V _{IH} | High-level input threshold | DDR3/DDR3L | VREF+0.1 | V _{DD} S+0.2 | V |
| V _{IL} | Low-level input threshold | DDR3/DDR3L | -0.2 | VREF-0.1 | V |
| V _{CM} | Input common-mode voltage | | VREF -10%vdds | VREF+ 10%vdds | V |
| C _{PAD} | Pad capacitance (including package capacitance) | 3 | | | pF |
| Signal Names in MUXMODE 0 (Differential Signals): ddr1_ck, ddr1_nck, ddr1_dqs[3:0], ddr1_dqsn[3:0] | | | | | |
| Bottom Balls: AD21 / AE21 / AD22 / AE22 / Y24 / Y25 / V24 / V25 / R24 / R25 | | | | | |
| Driver Mode | | | | | |
| V _{OH} | High-level output threshold (I _{OH} = 0.1 mA) | 0.9 × V _{DD} S | | | V |
| V _{OL} | Low-level output threshold (I _{OL} = 0.1 mA) | 0.1 × V _{DD} S | | | V |
| C _{PAD} | Pad capacitance (including package capacitance) | 3 | | | pF |
| Z _O | Output impedance (drive strength) | I[2:0] = 000 (Imp80) | 80 | | Ω |
| | | I[2:0] = 001 (Imp60) | 60 | | |
| | | I[2:0] = 010 (Imp48) | 48 | | |
| | | I[2:0] = 011 (Imp40) | 40 | | |
| | | I[2:0] = 100 (Imp34) | 34 | | |
| Single-Ended Receiver Mode | | | | | |
| V _{IH} | High-level input threshold | DDR3/DDR3L | VREF+0.1 | V _{DD} S+0.2 | V |
| V _{IL} | Low-level input threshold | DDR3/DDR3L | -0.2 | VREF-0.1 | V |

Table 5-7. LVCMOS DDR DC Electrical Characteristics (continued)

over operating free-air temperature range (unless otherwise noted)

| PARAMETER | | MIN | NOM | MAX | UNIT |
|-----------------------------------|---|------------------|-----|------------------|------|
| V _{CM} | Input common-mode voltage | VREF -10%vdds | | VREF+ 10%vdds | V |
| C _{PAD} | Pad capacitance (including package capacitance) | | | 3 | pF |
| Differential Receiver Mode | | | | | |
| V _{SWING} | Input voltage swing | DDR3/DDR3L | 0.2 | vdds+0.4 | V |
| V _{CM} | Input common-mode voltage | VREF -10%vdds | | VREF+ 10%vdds | V |
| C _{PAD} | Pad capacitance (including package capacitance) | | | 3 | pF |

(1) VDDS stands for corresponding power supply (that is, vdds_dds1). For more information on the power supply name and the corresponding ball, see [Table 4-1](#), POWER [11] column.

(2) VREF in this table stands for corresponding Reference Power Supply (that is, ddr1_vref0). For more information on the power supply name and the corresponding ball, see [Table 4-1](#), POWER [11] column.

Table 5-8. Dual Voltage LVCMOS I²C DC Electrical Characteristics

over operating free-air temperature range (unless otherwise noted)

| PARAMETER | | MIN | NOM | MAX | UNIT |
|--|---|-------------|-----|------------|------|
| Signal Names in MUXMODE 0: i2c1_scl; i2c1_sda; i2c2_scl; i2c2_sda | | | | | |
| Balls: G22 / G23 / G21 / F23 | | | | | |
| I²C Standard Mode – 1.8 V | | | | | |
| V _{IH} | Input high-level threshold | 0.7 × VDDS | | | V |
| V _{IL} | Input low-level threshold | | | 0.3 × VDDS | V |
| V _{hys} | Hysteresis | 0.1 × VDDS | | | V |
| I _{IN} | Input current at each I/O pin with an input voltage between 0.1 × VDDS to 0.9 × VDDS | | | 12 | μA |
| I _{OZ} | I _{OZ} (I _{PAD} Current) for BIDI cell. This current is contributed by the tristated driver leakage + input current of the Rx + weak pullup/pulldown leakage. PAD is swept from 0 to VDDS and the Max(I _{PAD}) is measured and is reported as I _{OZ} | | | 12 | μA |
| C _{IN} | Input capacitance | | | 10 | pF |
| V _{OL3} | Output low-level threshold open-drain at 3-mA sink current | | | 0.2 × VDDS | V |
| I _{OLmin} | Low-level output current @V _{OL} =0.2 × VDDS | 3 | | | mA |
| t _{OF} | Output fall time from V _{IHmin} to V _{ILmax} with a bus capacitance CB from 5 pF to 400 pF | | | 250 | ns |
| I²C Fast Mode – 1.8 V | | | | | |
| V _{IH} | Input high-level threshold | 0.7 × VDDS | | | V |
| V _{IL} | Input low-level threshold | | | 0.3 × VDDS | V |
| V _{hys} | Hysteresis | 0.1 × VDDS | | | V |
| I _{IN} | Input current at each I/O pin with an input voltage between 0.1 × VDDS to 0.9 × VDDS | | | 12 | μA |
| I _{OZ} | I _{OZ} (I _{PAD} Current) for BIDI cell. This current is contributed by the tristated driver leakage + input current of the Rx + weak pullup/pulldown leakage. PAD is swept from 0 to VDDS and the Max(I _{PAD}) is measured and is reported as I _{OZ} | | | 12 | μA |
| C _{IN} | Input capacitance | | | 10 | pF |
| V _{OL3} | Output low-level threshold open-drain at 3-mA sink current | | | 0.2 × VDDS | V |
| I _{OLmin} | Low-level output current @V _{OL} =0.2 × VDDS | 3 | | | mA |
| t _{OF} | Output fall time from V _{IHmin} to V _{ILmax} with a bus capacitance CB from 10 pF to 400 pF | 20+0.1 × Cb | | 250 | ns |

Table 5-8. Dual Voltage LVCMOS I²C DC Electrical Characteristics (continued)

over operating free-air temperature range (unless otherwise noted)

| PARAMETER | | MIN | NOM | MAX | UNIT |
|---|---|-------------------------|-----|-----|------|
| I²C Standard Mode – 3.3 V | | | | | |
| V _{IH} | Input high-level threshold | 0.7 × V _{DD3} | | | V |
| V _{IL} | Input low-level threshold | 0.3 × V _{DD3} | | | V |
| V _{hys} | Hysteresis | 0.05 × V _{DD3} | | | V |
| I _{IN} | Input current at each I/O pin with an input voltage between 0.1 × V _{DD3} to 0.9 × V _{DD3} | 31 | | 80 | μA |
| I _{OZ} | I _{OZ} (I _{PAD} Current) for BIDI cell. This current is contributed by the tristated driver leakage + input current of the Rx + weak pullup/pulldown leakage. PAD is swept from 0 to V _{DD3} and the Max(I _{PAD}) is measured and is reported as I _{OZ} | 31 | | 80 | μA |
| C _{IN} | Input capacitance | | | 10 | pF |
| V _{OL3} | Output low-level threshold open-drain at 3-mA sink current | | | 0.4 | V |
| I _{OLmin} | Low-level output current @V _{OL} =0.4V | 3 | | | mA |
| I _{OLmin} | Low-level output current @V _{OL} =0.6V for full drive load (400pF/400KHz) | 6 | | | mA |
| t _{OF} | Output fall time from V _{IHmin} to V _{ILmax} with a bus capacitance CB from 5 pF to 400 pF | | | 250 | ns |
| I²C Fast Mode – 3.3 V | | | | | |
| V _{IH} | Input high-level threshold | 0.7 × V _{DD3} | | | V |
| V _{IL} | Input low-level threshold | 0.3 × V _{DD3} | | | V |
| V _{hys} | Hysteresis | 0.05 × V _{DD3} | | | V |
| I _{IN} | Input current at each I/O pin with an input voltage between 0.1 × V _{DD3} to 0.9 × V _{DD3} | 31 | | 80 | μA |
| I _{OZ} | I _{OZ} (I _{PAD} Current) for BIDI cell. This current is contributed by the tristated driver leakage + input current of the Rx + weak pullup/pulldown leakage. PAD is swept from 0 to V _{DD3} and the Max(I _{PAD}) is measured and is reported as I _{OZ} | 31 | | 80 | μA |
| C _{IN} | Input capacitance | | | 10 | pF |
| V _{OL3} | Output low-level threshold open-drain at 3-mA sink current | | | 0.4 | V |
| I _{OLmin} | Low-level output current @V _{OL} =0.4V | 3 | | | mA |
| I _{OLmin} | Low-level output current @V _{OL} =0.6V for full drive load (400pF/400KHz) | 6 | | | mA |
| t _{OF} | Output fall time from V _{IHmin} to V _{ILmax} with a bus capacitance CB from 10 pF to 200 pF (Proper External Resistor Value should be used as per I ² C spec) | 20+0.1 × C _b | | 250 | ns |
| | Output fall time from V _{IHmin} to V _{ILmax} with a bus capacitance CB from 300 pF to 400 pF (Proper External Resistor Value should be used as per I ² C spec) | 40 | | 290 | |

(1) V_{DD3} stands for corresponding power supply (that is, vddshv3). For more information on the power supply name and the corresponding ball, see [Table 4-1](#), POWER [11] column.

(2) For more information on the I/O cell configurations, see the Control Module section of the Device TRM.

Table 5-9. IQ1833 Buffers DC Electrical Characteristics

over operating free-air temperature range (unless otherwise noted)

| PARAMETER | MIN | NOM | MAX | UNIT |
|--|-----|-----|-----|------|
| Signal Names in MUXMODE 0: tclk | | | | |
| Balls: K21 | | | | |

Table 5-9. IQ1833 Buffers DC Electrical Characteristics (continued)

over operating free-air temperature range (unless otherwise noted)

| PARAMETER | | MIN | NOM | MAX | UNIT |
|-------------------|---|-------------------------|-----|-------------------------|------|
| 1.8-V Mode | | | | | |
| V _{IH} | Input high-level threshold (Does not meet JEDEC V _{IH}) | 0.75 × V _{DD5} | | | V |
| V _{IL} | Input low-level threshold (Does not meet JEDEC V _{IL}) | | | 0.25 × V _{DD5} | V |
| V _{HYS} | Input hysteresis voltage | 100 | | | mV |
| I _{IN} | Input current at each I/O pin | 2 | | 11 | μA |
| C _{PAD} | Pad capacitance (including package capacitance) | | | 1 | pF |
| 3.3-V Mode | | | | | |
| V _{IH} | Input high-level threshold (Does not meet JEDEC V _{IH}) | 2.0 | | | V |
| V _{IL} | Input low-level threshold (Does not meet JEDEC V _{IL}) | | | 0.6 | V |
| V _{HYS} | Input hysteresis voltage | 400 | | | mV |
| I _{IN} | Input current at each I/O pin | 5 | | 11 | μA |
| C _{PAD} | Pad capacitance (including package capacitance) | | | 1 | pF |

(1) V_{DD5} stands for corresponding power supply (that is, vddshv3). For more information on the power supply name and the corresponding ball, see [Table 4-1](#), POWER [11] column.

Table 5-10. IHHV1833 Buffers DC Electrical Characteristics

over operating free-air temperature range (unless otherwise noted)

| PARAMETER | | MIN | NOM | MAX | UNIT |
|--|---|--------------------|-----|-----|------|
| Signal Names in MUXMODE 0: porz / wakeup3 / wakeup0 | | | | | |
| Balls: AB10/ AC10/ F19 | | | | | |
| 1.8-V Mode | | | | | |
| V _{IH} | Input high-level threshold | 1.2 ⁽¹⁾ | | | V |
| V _{IL} | Input low-level threshold | | | 0.4 | V |
| V _{HYS} | Input hysteresis voltage | 40 | | | mV |
| I _{IN} | Input current at each I/O pin | 0.02 | | 1 | μA |
| C _{PAD} | Pad capacitance (including package capacitance) | | | 1 | pF |
| 3.3-V Mode | | | | | |
| V _{IH} | Input high-level threshold | 1.2 ⁽¹⁾ | | | V |
| V _{IL} | Input low-level threshold | | | 0.4 | V |
| V _{HYS} | Input hysteresis voltage | 40 | | | mV |
| I _{IN} | Input current at each I/O pin | 5 | | 8 | μA |
| C _{PAD} | Pad capacitance (including package capacitance) | | | 1 | pF |

(1) The IHHV1833 buffer exists in the dual-voltage IO logic that can be powered by either 1.8V or 3.3V provided by vddshv3. However, the vddshv3 supply is only used for input protection circuitry, not for logic functionality. The logic in this buffer operates entirely on the vdds18v supply. Therefore, these input buffers are fully functional whenever vdds18v is valid.

Table 5-11. LVCMOS CSI2 DC Electrical Characteristics

over operating free-air temperature range (unless otherwise noted)

| PARAMETER | | MIN | NOM | MAX | UNIT |
|---|---|-----|-----|------|------|
| Signals MUXMODE 0: csi2_0_dx[2:0] / csi2_0_dy[2:0] | | | | | |
| Bottom Balls: AC1 / AB2 / AD1 / AC2 / AE2 / AD2 | | | | | |
| MIPI D-PHY Mode Low-Power Receiver (LP-RX) | | | | | |
| V _{IH} | Input high-level voltage | 880 | | 1350 | mV |
| V _{IL} | Input low-level voltage | | | 550 | mV |
| V _{ITH} | Input high-level threshold ⁽¹⁾ | | | 880 | mV |

Table 5-11. LVCMOS CSI2 DC Electrical Characteristics (continued)

over operating free-air temperature range (unless otherwise noted)

| PARAMETER | | MIN | NOM | MAX | UNIT |
|---|--|-----|-----|-----|------|
| V _{ITL} | Input low-level threshold ⁽²⁾ | 550 | | | mV |
| V _{HYS} | Input hysteresis ⁽³⁾ | 25 | | | mV |
| MIPI D-PHY Mode Ultralow Power Receiver (ULP-RX) | | | | | |
| V _{IL} | Input low-level voltage | | | 300 | mV |
| V _{ITL} | Input low-level threshold ⁽⁴⁾ | 300 | | | mV |
| V _{HYS} | Input hysteresis ⁽³⁾ | 25 | | | mV |
| MIPI D-PHY Mode High-Speed Receiver (HS-RX) | | | | | |
| V _{IDTH} | Differential input high-level threshold | 70 | | | mV |
| V _{IDTL} | Differential input low-level threshold | | | -70 | mV |
| V _{IDMAX} | Maximum differential input voltage ⁽⁷⁾ | | | 270 | mV |
| V _{IHHS} | Single-ended input high voltage ⁽⁵⁾ | | | 460 | mV |
| V _{ILHS} | Single-ended input low voltage ⁽⁵⁾ | -40 | | | mV |
| V _{CMRXDC} | Differential input common-mode voltage ⁽⁵⁾⁽⁶⁾ | 70 | | 330 | mV |
| Z _{ID} | Differential input impedance | 80 | 100 | 125 | Ω |

- (1) V_{ITH} is the voltage at which the receiver is required to detect a high state in the input signal.
- (2) V_{ITL} is the voltage at which the receiver is required to detect a low state in the input signal. V_{ITL} is larger than the maximum single-ended line high voltage during HS transmission. Therefore, both low-power (LP) receivers will detect low during HS signaling.
- (3) To reduce noise sensitivity on the received signal, the LP receiver is required to incorporate a hysteresis, V_{HYST}. V_{HYST} is the difference between the V_{ITH} threshold and the V_{ITL} threshold.
- (4) V_{ITL} is the voltage at which the receiver is required to detect a low state in the input signal. Specification is relaxed for detecting 0 during ultralow power (ULP) state. The LP receiver is not required to detect HS single-ended voltage as 0 in this state.
- (5) Excluding possible additional RF interference of 200 mV_{PP} beyond 450 MHz.
- (6) This value includes a ground difference of 50 mV between the transmitter and the receiver, the static common-mode level tolerance and variations below 450 MHz.
- (7) This number corresponds to the VOD_{MAX} transmitter.
- (8) Common mode is defined as the average voltage level of X and Y: V_{CMRX} = (V_X + V_Y) / 2.
- (9) Common mode ripple may be due to t_R or t_F and transmission line impairments in the PCB.
- (10) For more information regarding the pin name (or ball name) and corresponding signal name, see [Table 4-5, CSI 2 Signal Descriptions](#).

Table 5-12. BMLB18 Buffers DC Electrical Characteristics

over operating free-air temperature range (unless otherwise noted)

| PARAMETER | | MIN | NOM | MAX | UNIT |
|---|---|------------------------|-----|-----|------|
| Signal Names in MUXMODE 0: mlbp_dat_n / mlbp_dat_p / mlbp_sig_n / mlbp_sig_p / mlbp_clk_n / mlbp_clk_p | | | | | |
| Balls: T1 / T2 / U4 / T3 / U1 / U2 | | | | | |
| 1.8-V Mode | | | | | |
| V _{IH} /V _{IL} | Input high-level threshold | V _{CM} ± 50mV | | | V |
| V _{HYS} | Input hysteresis voltage | NONE | | | mV |
| V _{OD} | Differential output voltage (measured with 50Ω resistor between PAD and PADN) | 300 | | 500 | mV |
| V _{CM} | Common mode output voltage | 1 | | 1.5 | V |
| C _{PAD} | Pad capacitance (including package capacitance) | | | 4 | pF |

Table 5-13. Dual Voltage SDIO1833 DC Electrical Characteristics

over operating free-air temperature range (unless otherwise noted)

| PARAMETER | | MIN | NOM | MAX | UNIT |
|---|--|-----|-----|-----|------|
| Signal Names in Mode 0: mmc1_clk, mmc1_cmd, mmc1_data[3:0] | | | | | |
| Bottom Balls: U3 / V4 / V3 / V2 / W1 / V1 | | | | | |

Table 5-13. Dual Voltage SDIO1833 DC Electrical Characteristics (continued)

over operating free-air temperature range (unless otherwise noted)

| PARAMETER | | MIN | NOM | MAX | UNIT |
|---------------------------------------|--|-------------------|-----|--------------|------|
| 1.8-V Mode | | | | | |
| V _{IH} | Input high-level threshold | 1.27 | | | V |
| V _{IL} | Input low-level threshold | | | 0.58 | V |
| V _{HYS} | Input hysteresis voltage | 50 ⁽²⁾ | | | mV |
| I _{IN} | Input current at each I/O pin | | | 30 | μA |
| I _{OZ} | I _{OZ} (I _{PAD} Current) for BIDI cell. This current is contributed by the tristated driver leakage + input current of the Rx + weak pullup/pulldown leakage. PAD is swept from 0 to VDD5 and the Max(I(PAD)) is measured and is reported as I _{OZ} | | | 30 | μA |
| I _{IN} with pulldown enabled | Input current at each I/O pin with weak pulldown enabled measured when PAD = VDD5 | 50 | 120 | 210 | μA |
| I _{IN} with pullup enabled | Input current at each I/O pin with weak pullup enabled measured when PAD = 0 | 60 | 120 | 200 | μA |
| C _{PAD} | Pad capacitance (including package capacitance) | | | 5 | pF |
| V _{OH} | Output high-level threshold (I _{OH} = 2 mA) | 1.4 | | | V |
| V _{OL} | Output low-level threshold (I _{OL} = 2 mA) | | | 0.45 | V |
| 3.3-V Mode | | | | | |
| V _{IH} | Input high-level threshold | 0.625 × VDD5 | | | V |
| V _{IL} | Input low-level threshold | | | 0.25 × VDD5 | V |
| V _{HYS} | Input hysteresis voltage | 40 ⁽²⁾ | | | mV |
| I _{IN} | Input current at each I/O pin | | | 110 | μA |
| I _{OZ} | I _{OZ} (I _{PAD} Current) for BIDI cell. This current is contributed by the tristated driver leakage + input current of the Rx + weak pullup/pulldown leakage. PAD is swept from 0 to VDD5 and the Max(I(PAD)) is measured and is reported as I _{OZ} | | | 110 | μA |
| I _{IN} with pulldown enabled | Input current at each I/O pin with weak pulldown enabled measured when PAD = VDD5 | 40 | 100 | 290 | μA |
| I _{IN} with pullup enabled | Input current at each I/O pin with weak pullup enabled measured when PAD = 0 | 10 | 100 | 290 | μA |
| C _{PAD} | Pad capacitance (including package capacitance) | | | 5 | pF |
| V _{OH} | Output high-level threshold (I _{OH} = 2 mA) | 0.75 × VDD5 | | | V |
| V _{OL} | Output low-level threshold (I _{OL} = 2 mA) | | | 0.125 × VDD5 | V |

(1) VDD5 stands for corresponding power supply (that is, vddshv8). For more information on the power supply name and the corresponding ball, see [Table 4-1](#), POWER [11] column.

(2) Hysteresis is enabled/disabled with CTRL_CORE_CONTROL_HYST_1.SDCARD_HYST register.

Table 5-14. Dual Voltage LVCMOS DC Electrical Characteristics

over operating free-air temperature range (unless otherwise noted)

| PARAMETER | | MIN | NOM | MAX | UNIT |
|-------------------|--|-------------|-----|-------------|------|
| 1.8-V Mode | | | | | |
| V _{IH} | Input high-level threshold | 0.65 × VDD5 | | | V |
| V _{IL} | Input low-level threshold | | | 0.35 × VDD5 | V |
| V _{HYS} | Input hysteresis voltage | 100 | | | mV |
| V _{OH} | Output high-level threshold (I _{OH} = 2 mA) | VDD5-0.45 | | | V |
| V _{OL} | Output low-level threshold (I _{OL} = 2 mA) | | | 0.45 | V |

Table 5-14. Dual Voltage LVCMOS DC Electrical Characteristics (continued)

over operating free-air temperature range (unless otherwise noted)

| PARAMETER | | MIN | NOM | MAX | UNIT |
|--------------------------------|---|----------|-----|-----|----------|
| I_{DRIVE} | Pin Drive strength at PAD Voltage = 0.45V or VDDS-0.45V | 6 | | | mA |
| I_{IN} | Input current at each I/O pin | | | 16 | μ A |
| I_{OZ} | I_{OZ} (I_{PAD} Current) for BIDI cell. This current is contributed by the tristated driver leakage + input current of the Rx + weak pullup/pulldown leakage. PAD is swept from 0 to VDDS and the $Max(I_{PAD})$ is measured and is reported as I_{OZ} | | | 16 | μ A |
| I_{IN} with pulldown enabled | Input current at each I/O pin with weak pulldown enabled measured when PAD = VDDS | 50 | 120 | 210 | μ A |
| I_{IN} with pullup enabled | Input current at each I/O pin with weak pullup enabled measured when PAD = 0 | 60 | 120 | 200 | μ A |
| C_{PAD} | Pad capacitance (including package capacitance) | | | 4 | pF |
| Z_O | Output impedance (drive strength) | | 40 | | Ω |
| 3.3-V Mode | | | | | |
| V_{IH} | Input high-level threshold | 2 | | | V |
| V_{IL} | Input low-level threshold | | | 0.8 | V |
| V_{HYS} | Input hysteresis voltage | 200 | | | mV |
| V_{OH} | Output high-level threshold ($I_{OH} = 100 \mu$ A) | VDDS-0.2 | | | V |
| V_{OL} | Output low-level threshold ($I_{OL} = 100 \mu$ A) | | | 0.2 | V |
| I_{DRIVE} | Pin Drive strength at PAD Voltage = 0.45V or VDDS-0.45V | 6 | | | mA |
| I_{IN} | Input current at each I/O pin | | | 65 | μ A |
| I_{OZ} | I_{OZ} (I_{PAD} Current) for BIDI cell. This current is contributed by the tristated driver leakage + input current of the Rx + weak pullup/pulldown leakage. PAD is swept from 0 to VDDS and the $Max(I_{PAD})$ is measured and is reported as I_{OZ} | | | 65 | μ A |
| I_{IN} with pulldown enabled | Input current at each I/O pin with weak pulldown enabled measured when PAD = VDDS | 40 | 100 | 200 | μ A |
| I_{IN} with pullup enabled | Input current at each I/O pin with weak pullup enabled measured when PAD = 0 | 10 | 100 | 290 | μ A |
| C_{PAD} | Pad capacitance (including package capacitance) | | | 4 | pF |
| Z_O | Output impedance (drive strength) | | 40 | | Ω |

(1) VDDS stands for corresponding power supply. For more information on the power supply name and the corresponding ball, see [Table 4-1, POWER \[11\]](#) column.

5.7.1 USBPHY DC Electrical Characteristics

NOTE

USB1 instance is compliant with the USB3.0 SuperSpeed Transmitter and Receiver Normative Electrical Parameters as defined in the USB3.0 Specification Rev 1.0 dated Jun 6, 2011.

NOTE

USB1 and USB2 Electrical Characteristics are compliant with USB2.0 Specification Rev 2.0 dated April 27, 2000 including ECNs and Errata as applicable.

5.7.2 HDMIPHY DC Electrical Characteristics

The HDMIPHY DC Electrical Characteristics are compliant with the HDMI 1.4a specification and are not reproduced here.

5.7.3 PCIEPHY DC Electrical Characteristics

NOTE

The PCIe interfaces are compliant with the electrical parameters specified in PCI Express® Base Specification Revision 3.0.

5.8 VPP Specifications for One-Time Programmable (OTP) eFuses

This section specifies the operating conditions required for programming the OTP eFuses and is applicable only for High-Security Devices.

Table 5-15. Recommended Operating Conditions for OTP eFuse Programming

over operating free-air temperature range (unless otherwise noted)

| PARAMETER | DESCRIPTION | MIN | NOM | MAX | UNIT |
|-----------|--|------|------|-----|------|
| vdd | Supply voltage range for the core domain during OTP operation | 1.11 | 1.15 | 1.2 | V |
| vpp | Supply voltage range for the eFuse ROM domain during normal operation | NC | | | V |
| | Supply voltage range for the eFuse ROM domain during OTP programming ⁽¹⁾⁽²⁾ | 1.8 | | | V |
| I(vpp) | | | | 100 | mA |
| Tj | Temperature (junction) | 0 | 25 | 85 | °C |

(1) Supply voltage range includes DC errors and peak-to-peak noise. TI power management solutions [TLV70718](#) from the TLV707x family meet the supply voltage range needed for vpp.

(2) During normal operation, no voltage should be applied to vpp. This can be typically achieved by disabling the regulator attached to the vpp terminal. For more details, see [TLV707](#), [TLV707P 200-mA, Low-I_Q, Low-Noise, Low-Dropout Regulator for Portable Devices](#).

5.8.1 Hardware Requirements

The following hardware requirements must be met when programming keys in the OTP eFuses:

- The vpp power supply must be disabled when not programming OTP registers.
- The vpp power supply must be ramped up after the proper device power-up sequence (for more details, see [Section 5.10.3](#)).

5.8.2 Programming Sequence

Programming sequence for OTP eFuses:

1. Power on the board per the power-up sequencing. No voltage should be applied on the vpp terminal during power up and normal operation.
2. Load the OTP write software required to program the eFuse (contact your local TI representative for the OTP software package).
3. Apply the voltage on the vpp terminal according to the specification in [Table 5-15](#).
4. Run the software that programs the OTP registers.
5. After validating the content of the OTP registers, remove the voltage from the vpp terminal.

5.8.3 Impact to Your Hardware Warranty

You accept that e-Fusing the TI Devices with security keys permanently alters them. You acknowledge that the e-Fuse can fail, for example, due to incorrect or aborted program sequence or if you omit a sequence step. Further the TI Device may fail to secure boot if the error code correction check fails for the Production Keys or if the image is not signed and optionally encrypted with the current active Production Keys. These types of situations will render the TI Device inoperable and TI will be unable to confirm whether the TI Devices conformed to their specifications prior to the attempted e-Fuse. CONSEQUENTLY, TI WILL HAVE NO LIABILITY (WARRANTY OR OTHERWISE) FOR ANY TI DEVICES THAT HAVE BEEN e-FUSED WITH SECURITY KEYS.

5.9 Thermal Resistance Characteristics for CBD Package

For reliability and operability concerns, the maximum junction temperature of the Device has to be at or below the T_J value identified in [Section 5.4, Recommended Operating Conditions](#).

It is recommended to perform thermal simulations at the system level with the worst case device power consumption.

5.9.1 Package Thermal Characteristics

[Table 5-16](#) provides the thermal resistance characteristics for the package used on this device.

NOTE

Power dissipation of 3.0 W and an ambient temperature of 85°C is assumed for CBD package.

Table 5-16. Thermal Resistance Characteristics

| NO. | PARAMETER | DESCRIPTION | °C/W ⁽¹⁾ | AIR FLOW (m/s) ⁽²⁾ |
|-----|-------------------|------------------------|-------------------------|-------------------------------|
| T1 | $R_{\theta_{JC}}$ | Junction-to-case | 0.23 | N/A |
| T2 | $R_{\theta_{JB}}$ | Junction-to-board | 3.65 | N/A |
| T3 | $R_{\theta_{JA}}$ | Junction-to-free air | 12.8 | 0 |
| T4 | | | 10.4 | 0.5 |
| T5 | | Junction-to-moving air | 9.6 | 1 |
| T6 | | | 8.8 | 2 |
| T7 | | | 8.3 | 3 |
| T8 | | Ψ_{JT} | Junction-to-package top | 0.1 |
| T9 | 0.1 | | | 0.5 |
| T10 | 0.1 | | | 1 |
| T11 | 0.1 | | | 2 |
| T12 | 0.1 | | | 3 |
| T13 | Ψ_{JB} | Junction-to-board | 3.7 | 0 |
| T14 | | | 3.7 | 0.5 |
| T15 | | | 3.6 | 1 |
| T16 | | | 3.6 | 2 |
| T17 | | | 3.5 | 3 |

(1) These measurements were conducted in a JEDEC defined 2S2P system (with the exception of the Theta JC [$R_{\theta_{JC}}$] measurement, which was conducted in a JEDEC defined 1S0P system) and will change based on environment as well as application. For more information, see these EIA/JEDEC standards:

- JESD51-2, *Integrated Circuits Thermal Test Method Environment Conditions - Natural Convection (Still Air)*
- JESD51-3, *Low Effective Thermal Conductivity Test Board for Leaded Surface Mount Packages*
- JESD51-7, *High Effective Thermal Conductivity Test Board for Leaded Surface Mount Packages*
- JESD51-9, *Test Boards for Area Array Surface Mount Packages*

(2) m/s = meters per second

5.10 Timing Requirements and Switching Characteristics

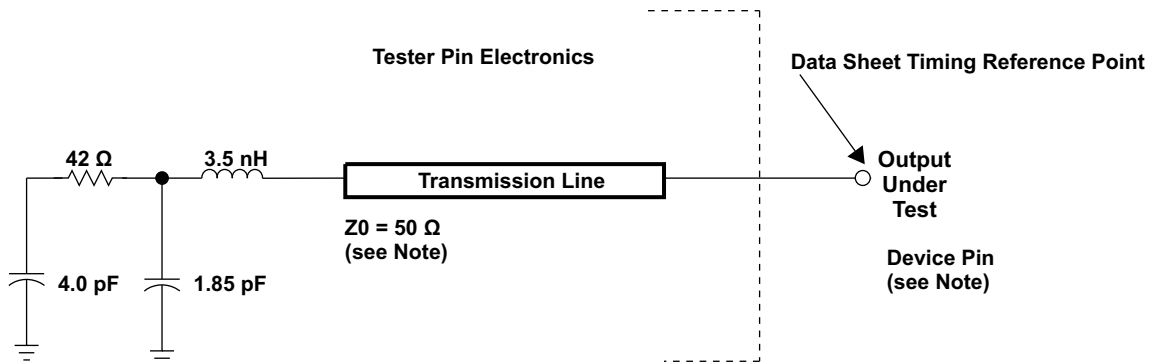
5.10.1 Timing Parameters and Information

The timing parameter symbols used in the timing requirement and switching characteristic tables are created in accordance with JEDEC Standard 100. To shorten the symbols, some of pin names and other related terminologies have been abbreviated as follows:

Table 5-17. Timing Parameters

| SUBSCRIPTS | |
|------------|--|
| SYMBOL | PARAMETER |
| c | Cycle time (period) |
| d | Delay time |
| dis | Disable time |
| en | Enable time |
| h | Hold time |
| su | Setup time |
| START | Start bit |
| t | Transition time |
| v | Valid time |
| w | Pulse duration (width) |
| X | Unknown, changing, or don't care level |
| F | Fall time |
| H | High |
| L | Low |
| R | Rise time |
| V | Valid |
| IV | Invalid |
| AE | Active Edge |
| FE | First Edge |
| LE | Last Edge |
| Z | High impedance |

5.10.1.1 Parameter Information



NOTE: The data sheet provides timing at the device pin. For output timing analysis, the tester pin electronics and its transmission line effects must be taken into account. A transmission line with a delay of 2 ns can be used to produce the desired transmission line effect. The transmission line is intended as a load only. It is not necessary to add or subtract the transmission line delay (2 ns) from the data sheet timings.

Input requirements in this data sheet are tested with an input slew rate of < 4 Volts per nanosecond (4 V/ns) at the device pin.

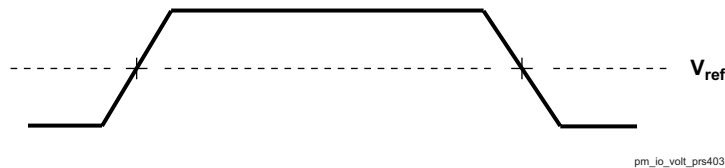
pm_tstcirc_prs403

Figure 5-2. Test Load Circuit for AC Timing Measurements

The load capacitance value stated is only for characterization and measurement of AC timing signals. This load capacitance value does not indicate the maximum load the device is capable of driving.

5.10.1.1.1 1.8 V and 3.3 V Signal Transition Levels

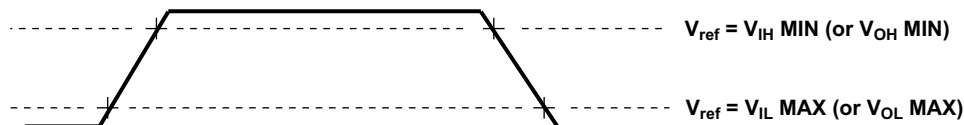
All input and output timing parameters are referenced to V_{ref} for both "0" and "1" logic levels. $V_{ref} = (V_{DD} I/O)/2$.



pm_io_volt_prs403

Figure 5-3. Input and Output Voltage Reference Levels for AC Timing Measurements

All rise and fall transition timing parameters are referenced to $V_{IL} MAX$ and $V_{IH} MIN$ for input clocks, $V_{OL} MAX$ and $V_{OH} MIN$ for output clocks.



pm_transvolt_prs403

Figure 5-4. Rise and Fall Transition Time Voltage Reference Levels

5.10.1.1.2 1.8 V and 3.3 V Signal Transition Rates

The default SLEWCONTROL settings in each pad configuration register must be used to ensure timings, unless specific instructions otherwise are given in the individual timing subsections of the datasheet.

All timings are tested with an input edge rate of 4 volts per nanosecond (4 V/ns).

5.10.1.1.3 Timing Parameters and Board Routing Analysis

The timing parameter values specified in this data manual do not include delays by board routes. As a good board design practice, such delays must *always* be taken into account. Timing values may be adjusted by increasing/decreasing such delays. TI recommends using the available I/O buffer information specification (IBIS) models to analyze the timing characteristics correctly. To properly use IBIS models to attain accurate timing analysis for a given system, see the [Using IBIS Models for timing Analysis](#) application report. If needed, external logic hardware such as buffers may be used to compensate any timing differences.

5.10.2 Interface Clock Specifications

5.10.2.1 Interface Clock Terminology

The interface clock is used at the system level to sequence the data and/or to control transfers accordingly with the interface protocol.

5.10.2.2 Interface Clock Frequency

The two interface clock characteristics are:

- The maximum clock frequency
- The maximum operating frequency

The interface clock frequency documented in this document is the maximum clock frequency, which corresponds to the maximum frequency programmable on this output clock. This frequency defines the maximum limit supported by the Device IC and does not take into account any system consideration (PCB, peripherals).

The system designer will have to consider these system considerations and the Device IC timing characteristics as well to define properly the maximum operating frequency that corresponds to the maximum frequency supported to transfer the data on this interface.

5.10.3 Power Supply Sequences

This section describes the power-up and power-down sequence required to ensure proper device operation. The power supply names described in this section comprise a superset of a family of compatible devices. Some members of this family will not include a subset of these power supplies and their associated device modules. Refer to the [Section 4.2, Pin Attributes](#) of the [Section 4, Terminal Configuration and Functions](#) to determine which power supplies are applicable.

Figure 5-5 and Figure 5-6, describe the device Power Sequencing.

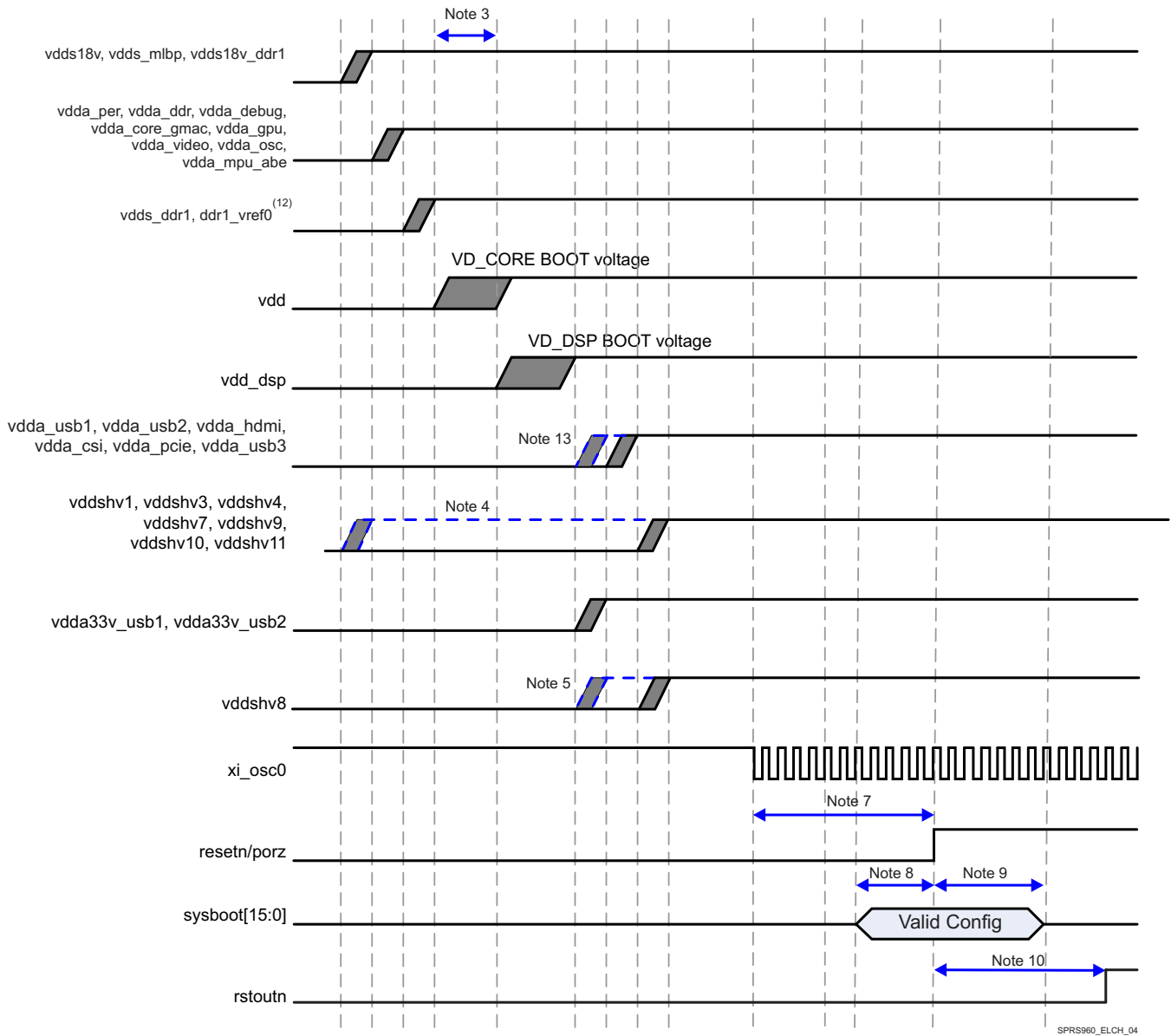


Figure 5-5. Power-Up Sequencing

- (1) Grey shaded areas are windows where it is valid to ramp the voltage rail.
- (2) Blue dashed lines are not valid windows but show alternate ramp possibilities based on the associated note.
- (3) vdd must ramp before or at the same time as vdd_dsp.
- (4) If any of the vddshv1, vddshv3, vddshv4, vddshv7, vddshv[9-11] rails (not including vddshv8) are used as 1.8V only, then these rails can be combined with vdds18v.
- (5) vddshv8 is separated out to show support for dual voltage. If single voltage is used then vddshv8 can be combined with other vddshv rails but vddshv8 must ramp after vdd.
- (6) vdds and vdda rails must not be combined together.
- (7) porz must remain asserted low until all of the following conditions are met:
 - All device supply rails reach stable operational levels.
 - xi_osc0 is stable and at a valid frequency.
 - Minimum of 12P after both of the above conditions are met, where P = 1 / (SYS_CLK1/610), units in ns. resetn must be high prior to, or rise simultaneous with, porz but not before its power supply, vddshv3, rising.
- (8) Setup time: sysboot[15:0] pins must be valid 2P⁽¹¹⁾ before porz is de-asserted high.

- (9) Hold time: sysboot[15:0] pins must be valid $15P^{(11)}$ after porz is de-asserted high.
- (10) rstoutn will be asserted low when porz is low, and de-asserted following an internal 2ms delay. rstoutn is only valid after vddshv3 reaches an operational level. If used as a peripheral component reset, it should be AND gated with porz to avoid possible reset glitches during power up.
- (11) $P = 1/(\text{SYS_CLK1}/610)$ frequency in ns.
- (12) ddr1_vref0 may rise coincident with vdds_dds1 or at a later time. However, it must be valid before porz rising.
- (13) vdda_usb1, vdda_usb2, vdda_hdmi, vdda_pcie, vdda_usb3 can be energized concurrently or after vdda33v_usb1, vdda33v_usb2.

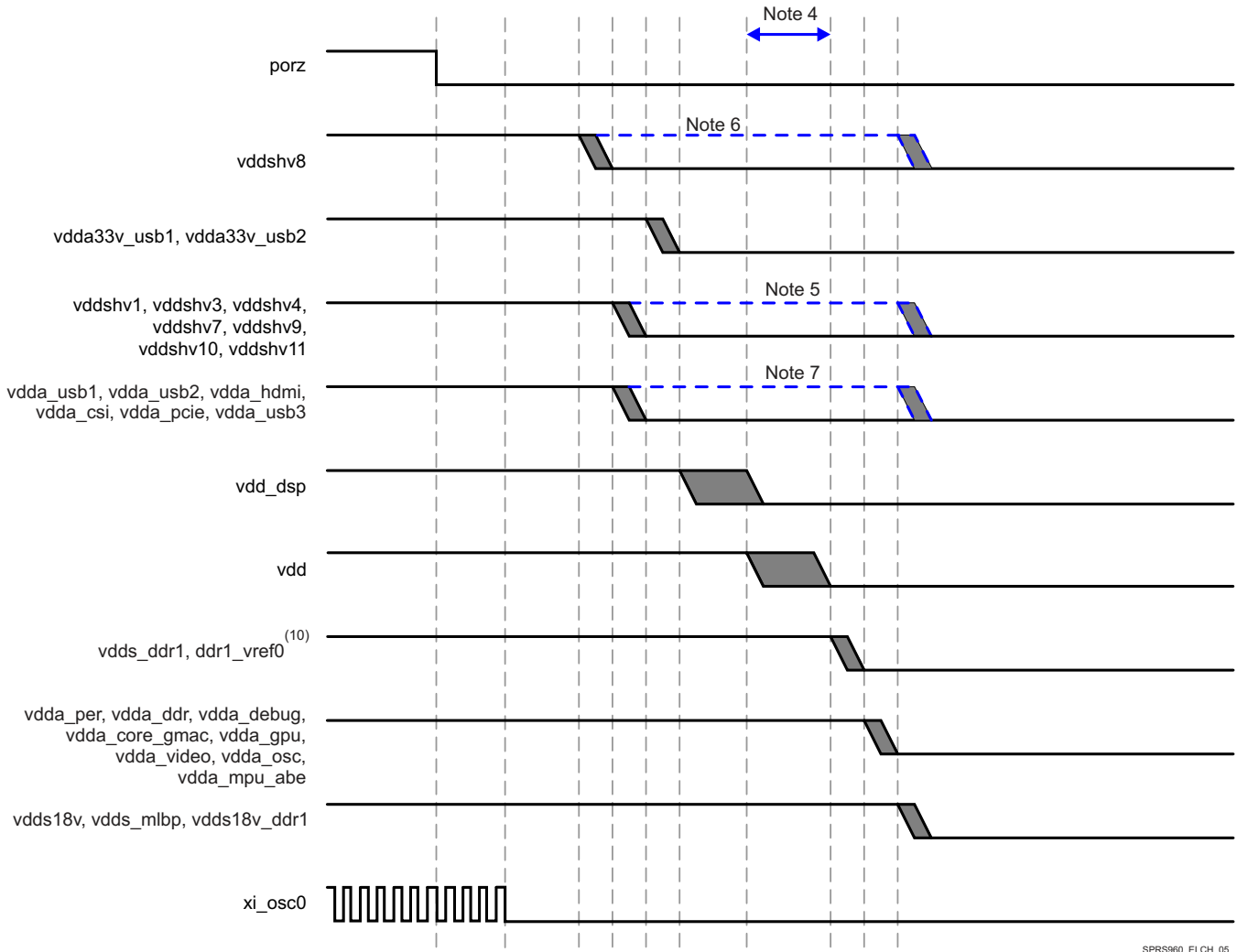


Figure 5-6. Power-Down Sequencing ⁽⁸⁾⁽⁹⁾

- (1) Grey shaded areas are windows where it is valid to ramp the voltage rail.
- (2) Blue dashed lines are not valid windows but show alternate ramp possibilities based on the associated note.
- (3) xi_osc0 can be turned off anytime after porz assertion and must be turned off before vdda_osc voltage rail is shutdown.
- (4) vdd must ramp after or at the same time as vdd_dsp.
- (5) If any of the vddshv1, vddshv3, vddshv4, vddshv7, vddshv[9-11] rails (not including vddshv8) are used as 1.8V only, then these rails can be combined with vdds18v.
 - vddshv1, vddshv3, vddshv4, vddshv7, vddshv[9-11] is allowed to ramp down at either of the two points shown in the timing diagram in either 1.8V mode or in 3.3V mode.
 - If vddshv1, vddshv3, vddshv4, vddshv7, vddshv[9-11] ramps down at the later time in the diagram then the board design must ensure that the vddshv[1, 3-4, 7, 9-11] rail is never higher than 2.0 V above the vdds18v rail.
- (6) vddshv8 is separated out to show support for dual voltage. If a dedicated LDO/supply source is used for vddshv8, then vddshv8 ramp down should occur at one of the two earliest points in the timing diagram. If vddshv8 is powered by the same supply source as the other vddshvn rails, then it is allowed to ramp down at either of the last two points in the timing diagram.
- (7) The 1.8V vdda_* supplies can either ramp down at the earlier time period shown or can be delayed to ramp down after the core supplies

coincident with the vdds18v supply as long as porz is asserted (low) during the power down sequence.

- (8) The power down sequence shown is the most general case and is always valid. An accelerated power down sequence is also available but is only valid when porz is asserted (low). This accelerated power down sequence has been implemented in the companion PMIC that is recommended for use with this SoC. The accelerated sequence has porz go low first followed immediately by 3.3V vddshvx supplies and vddshv8 simultaneously second, 1.8V PHY, 3.3V USB and core supplies simultaneously third, DDR supplies, DDR references and 1.8V PLL supplies simultaneously fourth and all other 1.8V supplies simultaneously last.
- (9) Ramped Down is defined as reaching a voltage level of no more than 0.6V.
- (10) ddr1_vref0 may fall coincident with vdds_dds1, or at a prior time but after porz is asserted low.

Figure 5-7 describes vddshv[1, 3-4, 7, 9-11] Supplies Falling Before vdds18v Supplies Delta.

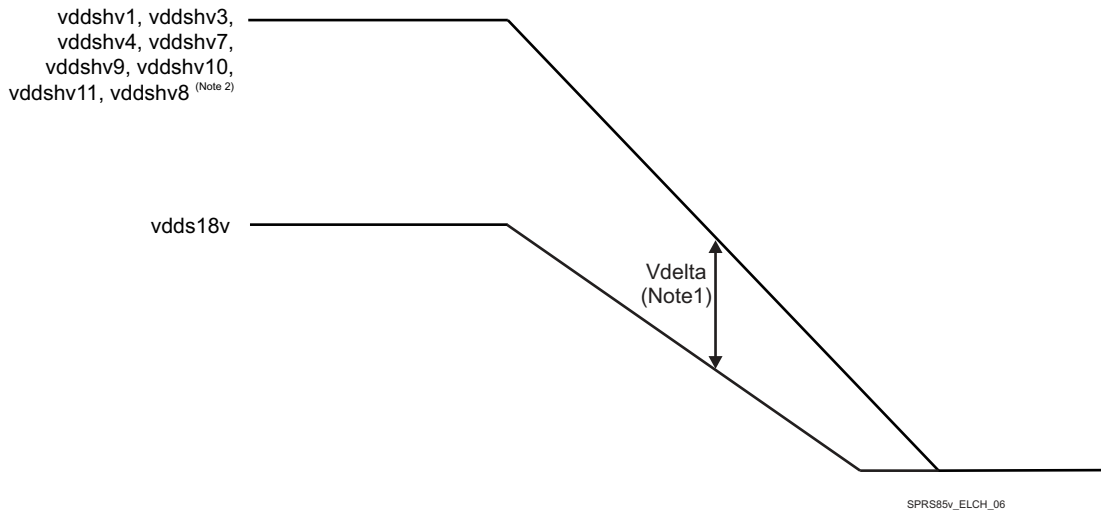


Figure 5-7. vddshv* Supplies Falling After vdds18v Supplies Delta

- (1) Vdelta MAX = 2V
- (2) If vddshv8 is powered by the same supply source as the other vddshv[1, 3-4, 7, 9-11] rails.

5.10.4 Clock Specifications

NOTE

For more information, see Power Reset and Clock Management / PRCM Environment / External Clock Signal and Power Reset / PRCM Functional Description / PRCM Clock Manager Functional Description section of the Device TRM.

NOTE

Audio Back End (ABE) module is not supported for this family of devices, but “ABE” name is still present in some clock or DPLL names.

The device operation requires the following clocks:

- The system clocks, SYS_CLK1 (Mandatory) and SYS_CLK2 (Optional) are the main clock sources of the device. They supply the reference clock to the DPLLs as well as functional clock to several modules.

The Device also embeds an internal free-running 32-kHz oscillator that is always active as long as the the wake-up (WKUP) domain is supplied.

Figure 5-8 shows the external input clock sources and the output clocks to peripherals.

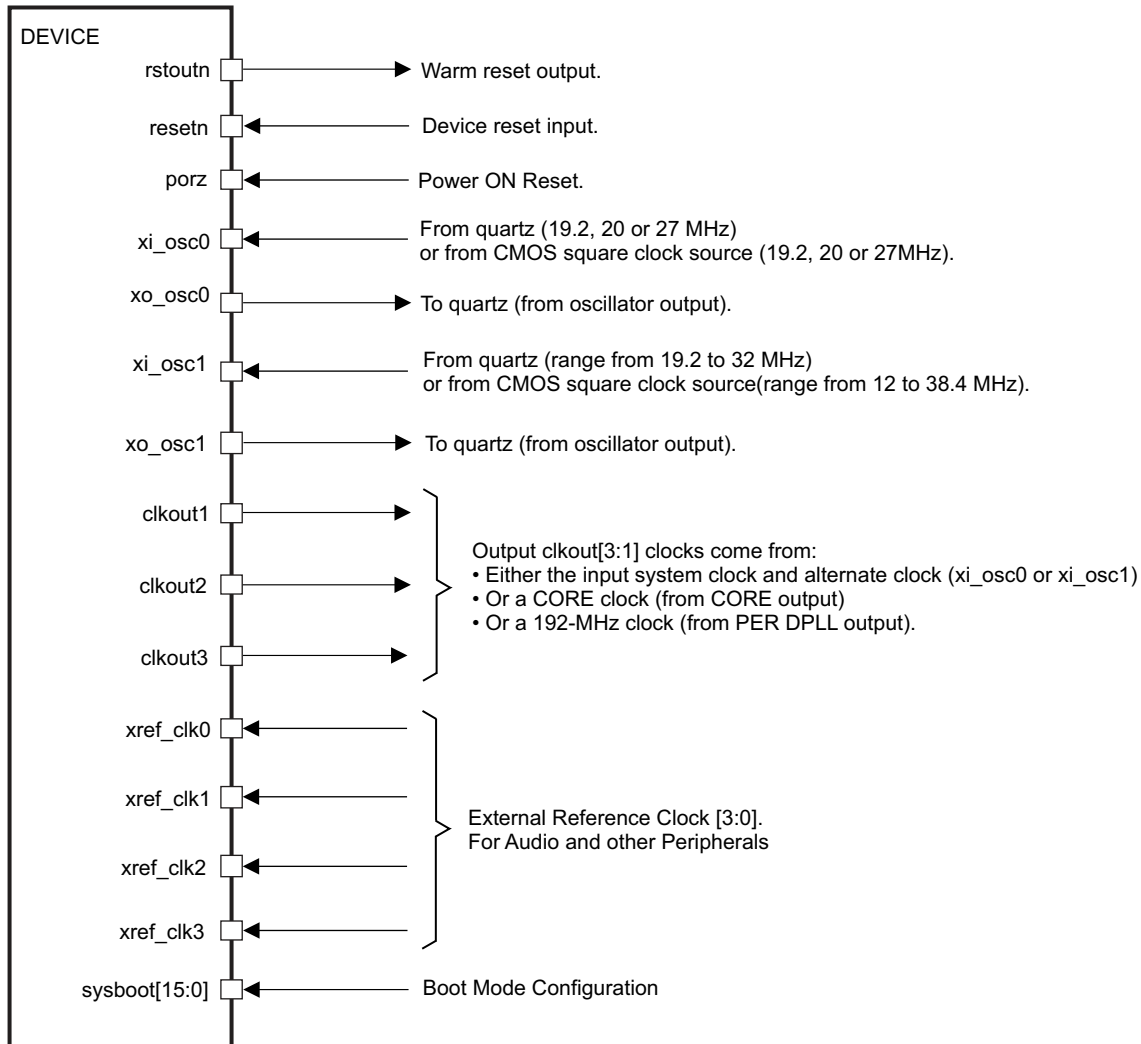


Figure 5-8. Clock Interface

5.10.4.1 Input Clocks / Oscillators

- The source of the internal system clock (SYS_CLK1) could be either:
 - A CMOS clock that enters on the xi_osc0 ball (with xo_osc0 left unconnected on the CMOS clock case).
 - A crystal oscillator clock managed by xi_osc0 and xo_osc0.
- The source of the internal system clock (SYS_CLK2) could be either:
 - A CMOS clock that enters on the xi_osc1 ball (with xo_osc1 left unconnected on the CMOS clock case).
 - A crystal oscillator clock managed by xi_osc1 and xo_osc1.

SYS_CLK1 is received directly from oscillator OSC0. For more information about SYS_CLK1 see Device TRM, Chapter: *Power, Reset, and Clock Management*.

5.10.4.1.1 OSC0 External Crystal

An external crystal is connected to the device pins. [Figure 5-9](#) describes the crystal implementation.

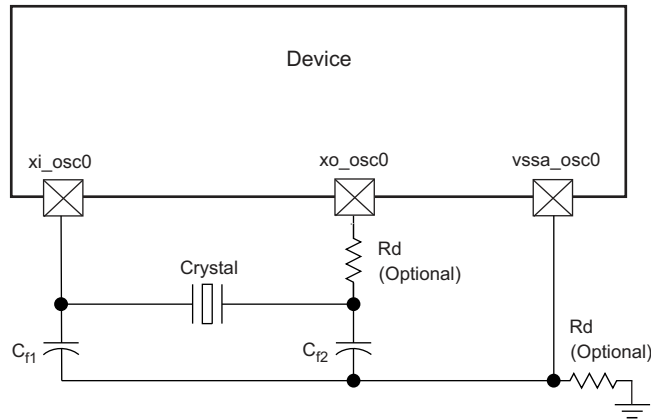


Figure 5-9. OSC0 Crystal Implementation

NOTE

The load capacitors, C_{f1} and C_{f2} in Figure 5-9, should be chosen such that the below equation is satisfied. C_L in the equation is the load specified by the crystal manufacturer. All discrete components used to implement the oscillator circuit should be placed as close as possible to the associated oscillator xi_osc0 , xo_osc0 , and $vssa_osc0$ pins.

$$C_L = \frac{C_{f1} C_{f2}}{(C_{f1} + C_{f2})}$$

Figure 5-10. Load Capacitance Equation

The crystal must be in the fundamental mode of operation and parallel resonant. Table 5-18 summarizes the required electrical constraints.

Table 5-18. OSC0 Crystal Electrical Characteristics

| NAME | DESCRIPTION | MIN | TYP | MAX | UNIT | |
|-----------------------|---|-------------------|--------------------------|-----|---------------|----------|
| f_p | Parallel resonance crystal frequency | 19.2, 20, 27 | | | MHz | |
| C_{f1} | C_{f1} load capacitance for crystal parallel resonance with $C_{f1} = C_{f2}$ | 12 | | | 24 | pF |
| C_{f2} | C_{f2} load capacitance for crystal parallel resonance with $C_{f1} = C_{f2}$ | 12 | | | 24 | pF |
| $ESR(C_{f1}, C_{f2})$ | Crystal ESR | | | | 100 | Ω |
| C_O | Crystal shunt capacitance | ESR = 30 Ω | 19.2 MHz, 20 MHz, 27 MHz | | 7 | pF |
| | | ESR = 40 Ω | 19.2 MHz, 20 MHz | | 7 | pF |
| | | | 27 MHz | | 5 | pF |
| | | ESR = 60 Ω | 19.2 MHz, 20 MHz | | 7 | pF |
| | | | 27 MHz | | Not Supported | |
| | | ESR = 80 Ω | 19.2 MHz, 20 MHz | | 5 | |
| 27 MHz | | | Not Supported | | - | |
| ESR = 100 Ω | 19.2 MHz, 20 MHz | | 3 | | pF | |
| | 27 MHz | | Not Supported | | - | |
| L_M | Crystal motional inductance for $f_p = 20$ MHz | 10.16 | | | mH | |
| C_M | Crystal motional capacitance | 3.42 | | | fF | |

Table 5-18. OSC0 Crystal Electrical Characteristics (continued)

| NAME | DESCRIPTION | MIN | TYP | MAX | UNIT |
|-------------------------|---|---|-----|------|------|
| t _{j(xi_osc0)} | Frequency accuracy ⁽¹⁾ , xi_osc0 | Ethernet and MLB not used | | ±200 | ppm |
| | | Ethernet RGMII and RMII using derived clock | | ±50 | |
| | | Ethernet MII using derived clock | | ±100 | |

(1) Crystal characteristics should account for tolerance+stability+aging.

When selecting a crystal, the system design must consider the temperature and aging characteristics of a based on the worst case environment and expected life expectancy of the system.

Table 5-19 details the switching characteristics of the oscillator and the requirements of the input clock.

Table 5-19. Oscillator Switching Characteristics—Crystal Mode

| NAME | DESCRIPTION | MIN | TYP | MAX | UNIT |
|-----------------|-----------------------|------------------|-----|-----|------|
| f _p | Oscillation frequency | 19.2, 20, 27 MHz | | | MHz |
| t _{sX} | Start-up time | 4 | | | ms |

5.10.4.1.2 OSC0 Input Clock

A 1.8-V LVCMOS-Compatible Clock Input can be used instead of the internal oscillator to provide the SYS_CLK1 clock input to the system. The external connections to support this are shown in Figure 5-11. The xi_osc0 pin is connected to the 1.8-V LVCMOS-Compatible clock source. The xi_osc0 pin is left unconnected. The vssa_osc0 pin is connected to board ground (VSS).

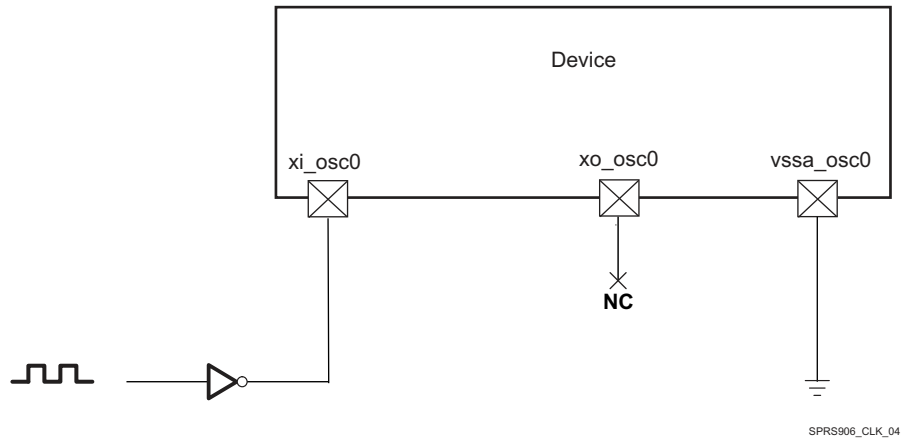


Figure 5-11. 1.8-V LVCMOS-Compatible Clock Input

Table 5-20 summarizes the OSC0 input clock electrical characteristics.

Table 5-20. OSC0 Input Clock Electrical Characteristics—Bypass Mode

| NAME | DESCRIPTION | MIN | TYP | MAX | UNIT |
|-----------------|---------------------------|--------------|-------|-------|------|
| f | Frequency | 19.2, 20, 27 | | | MHz |
| C _{IN} | Input capacitance | 2.184 | 2.384 | 2.584 | pF |
| I _{IN} | Input current (3.3V mode) | 4 | 6 | 10 | µA |

Table 5-21 details the OSC0 input clock timing requirements.

Table 5-21. OSC0 Input Clock Timing Requirements

| NAME | DESCRIPTION | | MIN | TYP | MAX | UNIT |
|------|-----------------------|---|---|-----|-------------------------------|------|
| CK0 | $1 / t_{c(xi_osc0)}$ | Frequency, xi_osc0 | 19.2, 20, 27 | | | MHz |
| CK1 | $t_{w(xi_osc0)}$ | Pulse duration, xi_osc0 low or high | $0.45 \times t_{c(xi_osc0)}$ | | $0.55 \times t_{c(xi_osc0)}$ | ns |
| | $t_{j(xi_osc0)}$ | Period jitter ⁽¹⁾ , xi_osc0 | | | $0.01 \times t_{c(xi_osc0)}$ | ns |
| | $t_{R(xi_osc0)}$ | Rise time, xi_osc0 | | | 5 | ns |
| | $t_{F(xi_osc0)}$ | Fall time, xi_osc0 | | | 5 | ns |
| | $t_{j(xi_osc0)}$ | Frequency accuracy ⁽²⁾ , xi_osc0 | Ethernet and MLB not used | | ± 200 | ppm |
| | | | Ethernet RGMII and RMII using derived clock | | ± 50 | |
| | | | Ethernet MII using derived clock | | ± 100 | |

(1) Period jitter is meant here as follows:

- The maximum value is the difference between the longest measured clock period and the expected clock period
- The minimum value is the difference between the shortest measured clock period and the expected clock period

(2) Crystal characteristics should account for tolerance+stability+aging.

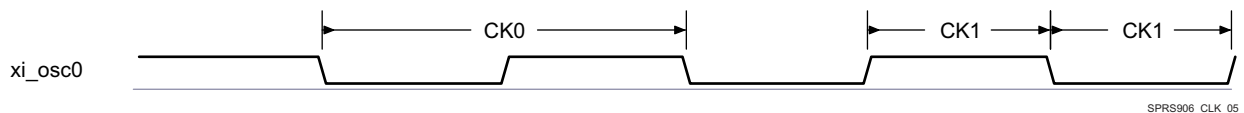


Figure 5-12. xi_osc0 Input Clock

5.10.4.1.3 Auxiliary Oscillator OSC1 Input Clock

SYS_CLK2 is received directly from oscillator OSC1. For more information about SYS_CLK2 see Device TRM, Chapter: *Power, Reset, and Clock Management*.

5.10.4.1.3.1 OSC1 External Crystal

An external crystal is connected to the device pins. Figure 5-13 describes the crystal implementation.

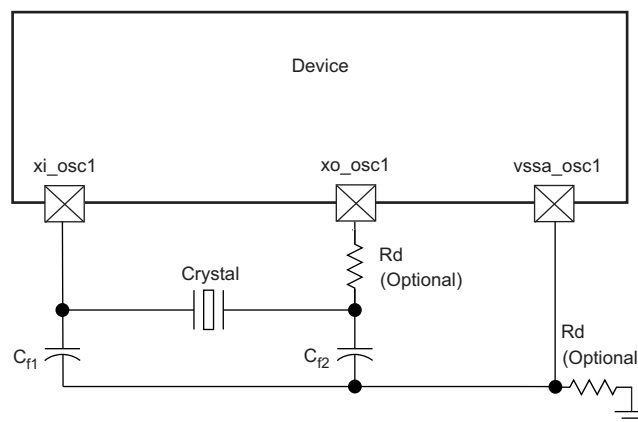


Figure 5-13. Crystal Implementation

NOTE

The load capacitors, C_{f1} and C_{f2} in [Figure 5-13](#), should be chosen such that the below equation is satisfied. C_L in the equation is the load specified by the crystal manufacturer. All discrete components used to implement the oscillator circuit should be placed as close as possible to the associated oscillator xi_osc1 , xo_osc1 , and $vssa_osc1$ pins.

$$C_L = \frac{C_{f1} C_{f2}}{(C_{f1} + C_{f2})}$$

Figure 5-14. Load Capacitance Equation

The crystal must be in the fundamental mode of operation and parallel resonant. [Table 5-22](#) summarizes the required electrical constraints.

Table 5-22. OSC1 Crystal Electrical Characteristics

| NAME | DESCRIPTION | MIN | TYP | MAX | UNIT | | |
|-----------------------|---|---|---------------------------------|-----------|---------------|----|---|
| f_p | Parallel resonance crystal frequency | Range from 19.2 to 32 | | | MHz | | |
| C_{f1} | C_{f1} load capacitance for crystal parallel resonance with $C_{f1} = C_{f2}$ | 12 | | 24 | pF | | |
| C_{f2} | C_{f2} load capacitance for crystal parallel resonance with $C_{f1} = C_{f2}$ | 12 | | 24 | pF | | |
| $ESR(C_{f1}, C_{f2})$ | Crystal ESR | | | 100 | Ω | | |
| C_O | Crystal shunt capacitance | ESR = 30 Ω | 19.2 MHz $\leq f_p \leq$ 32 MHz | | 7 | pF | |
| | | | 19.2 MHz $\leq f_p \leq$ 32 MHz | | 5 | pF | |
| | | ESR = 50 Ω | 19.2 MHz $\leq f_p \leq$ 25 MHz | | 7 | pF | |
| | | | 25 MHz $< f_p \leq$ 27 MHz | | 5 | pF | |
| | | ESR = 60 Ω | 27 MHz $< f_p \leq$ 32 MHz | | Not Supported | | - |
| | | | 19.2 MHz $\leq f_p \leq$ 23 MHz | | 7 | pF | |
| | | | 23 MHz $< f_p \leq$ 25 MHz | | 5 | pF | |
| | | ESR = 80 Ω | 25 MHz $< f_p \leq$ 32 MHz | | Not Supported | | - |
| | | | 19.2 MHz $\leq f_p \leq$ 23 MHz | | 5 | pF | |
| | | | 23 MHz $\leq f_p \leq$ 25 MHz | | 3 | pF | |
| | | ESR = 100 Ω | 25 MHz $< f_p \leq$ 32 MHz | | Not Supported | | - |
| | | | 19.2 MHz $\leq f_p \leq$ 20 MHz | | 3 | pF | |
| | 20 MHz $< f_p \leq$ 32 MHz | Not Supported | | - | | | |
| L_M | Crystal motional inductance for $f_p = 20$ MHz | | 10.16 | | mH | | |
| C_M | Crystal motional capacitance | | 3.42 | | fF | | |
| $t_{j(xiosc1)}$ | Frequency accuracy ⁽¹⁾ , xi_osc1 | Ethernet and MLB not used | | ± 200 | ppm | | |
| | | Ethernet RGMII and RMII using derived clock | | ± 50 | | | |
| | | Ethernet MII using derived clock | | ± 100 | | | |

(1) Crystal characteristics should account for tolerance+stability+aging.

When selecting a crystal, the system design must take into account the temperature and aging characteristics of a crystal versus the user environment and expected lifetime of the system.

[Table 5-23](#) details the switching characteristics of the oscillator and the requirements of the input clock.

Table 5-23. Oscillator Switching Characteristics—Crystal Mode

| NAME | DESCRIPTION | MIN | TYP | MAX | UNIT |
|----------|-----------------------|-----------------------|-----|-----|------|
| f_p | Oscillation frequency | Range from 19.2 to 32 | | | MHz |
| t_{sX} | Start-up time | | | 4 | ms |

5.10.4.1.3.2 OSC1 Input Clock

A 1.8-V LVCMOS-Compatible Clock Input can be used instead of the internal oscillator to provide the SYS_CLK2 clock input to the system. The external connections to support this are shown in, [Figure 5-15](#). The xi_osc1 pin is connected to the 1.8-V LVCMOS-Compatible clock sources. The xo_osc1 pin is left unconnected. The vssa_osc1 pin is connected to board ground (vss).

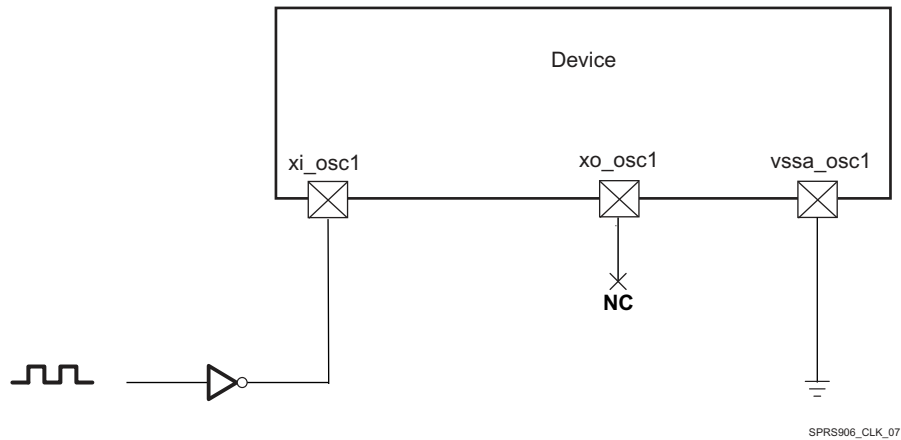


Figure 5-15. 1.8-V LVCMOS-Compatible Clock Input

Table 5-24 summarizes the OSC1 input clock electrical characteristics.

Table 5-24. OSC1 Input Clock Electrical Characteristics—Bypass Mode

| NAME | DESCRIPTION | MIN | TYP | MAX | UNIT |
|-----------------|------------------------------|-----------------------|-------|-------|------|
| f | Frequency | Range from 12 to 38.4 | | | MHz |
| C _{IN} | Input capacitance | 2.819 | 3.019 | 3.219 | pF |
| I _{IN} | Input current (3.3V mode) | 4 | 6 | 10 | μA |
| t _{sX} | Start-up time ⁽¹⁾ | See ⁽²⁾ | | | ms |

- (1) To switch from bypass mode to crystal or from crystal mode to bypass mode, there is a waiting time about 100 μs; however, if the chip comes from bypass mode to crystal mode the crystal will start-up after time mentioned in [Table 5-23](#), t_{sX} parameter.
- (2) Before the processor boots up and the oscillator is set to bypass mode, there is a waiting time when the internal oscillator is in application mode and receives a wave. The switching time in this case is about 100 μs.

Table 5-25 details the OSC1 input clock timing requirements.

Table 5-25. OSC1 Input Clock Timing Requirements

| NAME | DESCRIPTION | | MIN | TYP | MAX | UNIT |
|------|----------------------------|---|---|-----|--|------|
| CK0 | 1 / t _{c(xiosc1)} | Frequency, xi_osc1 | Range from 12 to 38.4 | | | MHz |
| CK1 | t _{w(xiosc1)} | Pulse duration, xi_osc1 low or high | 0.45 × t _{c(xiosc1)} | | 0.55 × t _{c(xiosc1)} | ns |
| | t _{j(xiosc1)} | Period jitter ⁽¹⁾ , xi_osc1 | | | 0.01 × t _{c(xiosc1)} ⁽³⁾ | ns |
| | t _{R(xiosc1)} | Rise time, xi_osc1 | | | 5 | ns |
| | t _{F(xiosc1)} | Fall time, xi_osc1 | | | 5 | ns |
| | t _{f(xiosc1)} | Frequency accuracy ⁽²⁾ , xi_osc1 | Ethernet and MLB not used | | ±200 | ppm |
| | | | Ethernet RGMII and RMII using derived clock | | ±50 | |
| | | | Ethernet MII using derived clock | | ±100 | |

- (1) Period jitter is meant here as follows:
 - The maximum value is the difference between the longest measured clock period and the expected clock period
 - The minimum value is the difference between the shortest measured clock period and the expected clock period
- (2) Crystal characteristics should account for tolerance+stability+aging.
- (3) The Period jitter requirement for osc1 can be relaxed to $0.02 \times tc(xiosc1)$ under the following constraints:
 - a. The osc1/SYS_CLK2 clock bypasses all device PLLs
 - b. The osc1/SYS_CLK2 clock is only used to source the DSS pixel clock outputs

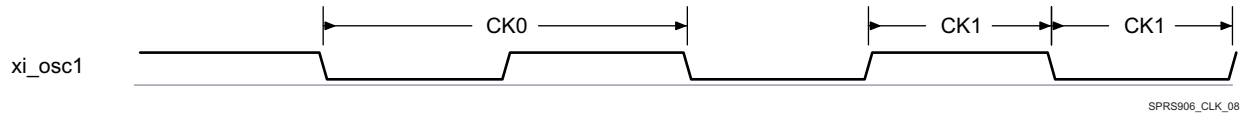


Figure 5-16. xi_osc1 Input Clock

5.10.4.1.4 RC On-die Oscillator Clock

NOTE

The OSC_32K_CLK clock, provided by the On-die 32K RC oscillator, inside of the SoC, is not accurate 32kHz clock.

The frequency may significantly vary with temperature and silicon characteristics.

For more information about OSC_32K_CLK see the Device TRM, Chapter: *Power, Reset, and Clock Management*.

5.10.4.2 Output Clocks

The device provides three output clocks. Summary of these output clocks are as follows:

- clkout1 - Device Clock output 1. Can be used as a system clock for other devices. The source of the clkout1 could be either:
 - The input system clock and alternate clock (xi_osc0 or xi_osc1)
 - CORE clock (from CORE output)
 - 192-MHz clock (from PER DPLL output)
- clkout2 - Device Clock output 2. Can be used as a system clock for other devices. The source of the clkout2 could be either:
 - The input system clock and alternate clock (xi_osc0 or xi_osc1)
 - CORE clock (from CORE output)
 - 192-MHz clock (from PER DPLL output)
- clkout3 - Device Clock output 3. Can be used as a system clock for other devices. The source of the clkout3 could be either:
 - The input system clock and alternate clock (xi_osc0 or xi_osc1)
 - CORE clock (from CORE output)
 - 192-MHz clock (from PER DPLL output)

For more information about Output Clocks see Device TRM, Chapter: *Power, Reset, and Clock Management*.

5.10.4.3 DPLLs, DLLs

NOTE

For more information, see:

- Power, Reset, and Clock Management / Clock Management Functional / Internal Clock Sources / Generators / Generic DPLL Overview Section
and
 - Display Subsystem / Display Subsystem Overview section of the Device TRM.
-

To generate high-frequency clocks, the device supports multiple on-chip DPLLs controlled directly by the PRCM module. They are of two types: type A and type B DPLLs.

- They have their own independent power domain (each one embeds its own switch and can be controlled as an independent functional power domain)
- They are fed with ALWAYS ON system clock, with independent control per DPLL.

The different DPLLs managed by the PRCM are listed below:

- DPLL_MPU: It supplies the MPU subsystem clocking internally.
- DPLL_IVA: It feeds the IVA subsystem clocking.
- DPLL_CORE: It supplies all interface clocks and also few module functional clocks.
- DPLL_PER: It supplies several clock sources: a 192-MHz clock for the display functional clock, a 96-MHz functional clock to subsystems and peripherals.
- DPLL_ABE: It provides clocks to various modules within the device.
- DPLL_USB: It provides 960M clock for USB modules (USB1/2/3/4).
- DPLL_GMAC: It supplies several clocks for the Gigabit Ethernet Switch (GMAC_SW).
- DPLL_DSP: It feeds the DSP Subsystem clocking.
- DPLL_GPU: It supplies clock for the GPU Subsystem.
- DPLL_DDR: It generates clocks for the two External Memory Interface (EMIF) controllers and their associated EMIF PHYs.
- DPLL_PCIE_REF: It provides reference clock for the APLL_PCIE in PCIE Subsystem.
- APLL_PCIE: It feeds clocks for the device Peripheral Component Interconnect Express (PCIe) controllers.

NOTE

The following DPLLs are controlled by the clock manager located in the always-on Core power domain (CM_CORE_AON):

- DPLL_MPU, DPLL_IVA, DPLL_CORE, DPLL_ABE, DPLL_DDR, DPLL_GMAC, DPLL_PCIE_REF, DPLL_PER, DPLL_USB, DPLL_DSP, DPLL_GPU, APLL_PCIE_REF.
-

For more information on CM_CORE_AON and CM_CORE or PRCM DPLLs, see the Power, Reset, and Clock Management (PRCM) chapter of the Device TRM.

The following DPLLs are not managed by the PRCM:

- DPLL_VIDEO1; (It is controlled from DSS)
 - DPLL_HDMI; (It is controlled from DSS)
 - DPLL_DEBUG; (It is controlled from DEBUGSS)
 - DPLL_USB_OTG_SS; (It is controlled from OCP2SCP1)
-

NOTE

For more information for not controlled from PRCM DPLL's see the related chapters in TRM.

5.10.4.3.1 DPLL Characteristics

The DPLL has three relevant input clocks. One of them is the reference clock (CLKINP) used to generate the synthesized clock but can also be used as the bypass clock whenever the DPLL enters a bypass mode. It is therefore mandatory. The second one is a fast bypass clock (CLKINPULOW) used when selected as the bypass clock and is optional. The third clock (CLKINPHIF) is explained in the next paragraph.

The DPLL has three output clocks (namely CLKOUT, CLKOUTX2, and CLKOUTHIF). CLKOUT and CLKOUTX2 run at the bypass frequency whenever the DPLL enters a bypass mode. Both of them are generated from the lock frequency divided by a post-divider (namely M2 post-divider). The third clock, CLKOUTHIF, has no automatic bypass capability. It is an output of a post-divider (M3 post-divider) with the input clock selectable between the internal lock clock (Fdpll) and CLKINPHIF input of the PLL through an asynchronous multiplexing.

For more information, see the Power Reset Controller Management chapter of the Device TRM.

Table 5-26 summarizes DPLL type described in Section 5.10.4.3, *DPLLs, DLLs Specifications* introduction.

Table 5-26. DPLL Control Type

| DPLL NAME | TYPE | CONTROLLED BY PRCM |
|-----------------|---------------------|--------------------|
| DPLL_ABE | Table 5-27 (Type A) | Yes ⁽¹⁾ |
| DPLL_CORE | Table 5-27 (Type A) | Yes ⁽¹⁾ |
| DPLL_DEBUGSS | Table 5-27 (Type A) | No ⁽²⁾ |
| DPLL_DSP | Table 5-27 (Type A) | Yes ⁽¹⁾ |
| DPLL_GMAC | Table 5-27 (Type A) | Yes ⁽¹⁾ |
| DPLL_HDMI | Table 5-28 (Type B) | No ⁽²⁾ |
| DPLL_IVA | Table 5-27 (Type A) | Yes ⁽¹⁾ |
| DPLL_MPU | Table 5-27 (Type A) | Yes ⁽¹⁾ |
| DPLL_PER | Table 5-27 (Type A) | Yes ⁽¹⁾ |
| APLL_PCIE | Table 5-27 (Type A) | Yes ⁽¹⁾ |
| DPLL_PCIE_REF | Table 5-28 (Type B) | Yes ⁽¹⁾ |
| DPLL_USB | Table 5-28 (Type B) | Yes ⁽¹⁾ |
| DPLL_USB_OTG_SS | Table 5-28 (Type B) | No ⁽²⁾ |
| DPLL_VIDEO1 | Table 5-27 (Type A) | No ⁽²⁾ |
| DPLL_DDR | Table 5-27 (Type A) | Yes ⁽¹⁾ |
| DPLL_GPU | Table 5-27 (Type A) | Yes ⁽¹⁾ |

(1) DPLL is in the always-on domain.

(2) DPLL is not controlled by the PRCM.

Table 5-27 and Table 5-28 summarize the DPLL characteristics and assume testing over recommended operating conditions.

Table 5-27. DPLL Type A Characteristics

| NAME | DESCRIPTION | MIN | TYP | MAX | UNIT | COMMENTS |
|------------------|------------------------------|-------------------|-----|---------------------|------|---|
| f_{input} | CLKINP input frequency | 0.032 | | 52 | MHz | F_{INP} |
| $f_{internal}$ | Internal reference frequency | 0.15 | | 52 | MHz | REFCLK |
| $f_{CLKINPHIF}$ | CLKINPHIF input frequency | 10 | | 1400 | MHz | F_{INPHIF} |
| $f_{CLKINPULOW}$ | CLKINPULOW input frequency | 0.001 | | 600 | MHz | Bypass mode: $f_{CLKOUT} = f_{CLKINPULOW} / (M1 + 1)$ if $ulowclken = 1$ ⁽⁶⁾ |
| f_{CLKOUT} | CLKOUT output frequency | 20 ⁽¹⁾ | | 1800 ⁽²⁾ | MHz | $[M / (N + 1)] \times F_{INP} \times [1 / M2]$ (in locked condition) |

Table 5-27. DPLL Type A Characteristics (continued)

| NAME | DESCRIPTION | MIN | TYP | MAX | UNIT | COMMENTS |
|------------------------|--|-------------------|-----|---------------------|------|---|
| f _{CLKOUTx2} | CLKOUTx2 output frequency | 40 ⁽¹⁾ | | 2200 ⁽²⁾ | MHz | $2 \times [M / (N + 1)] \times F_{INP} \times [1 / M2]$ (in locked condition) |
| f _{CLKOUTHIF} | CLKOUTHIF output frequency | 20 ⁽³⁾ | | 1400 ⁽⁴⁾ | MHz | $F_{INPHIF} / M3$ if $clklnphifsel = 1$ |
| | | 40 ⁽³⁾ | | 2200 ⁽⁴⁾ | MHz | $2 \times [M / (N + 1)] \times F_{INP} \times [1 / M3]$ if $clklnphifsel = 0$ |
| f _{CLKDCOLDO} | DCOCLKLDO output frequency | 40 | | 2800 | MHz | $2 \times [M / (N + 1)] \times F_{INP}$ (in locked condition) |
| t _{lock} | Frequency lock time | | | 6 + 350 × REFCLK | μs | |
| p _{lock} | Phase lock time | | | 6 + 500 × REFCLK | μs | |
| t _{relock-L} | Relock time—Frequency lock ⁽⁵⁾ (LP relock time from bypass) | | | 6 + 70 × REFCLK | μs | DPLL in LP relock time: lowcurrstbby = 1 |
| p _{relock-L} | Relock time—Phase lock ⁽⁵⁾ (LP relock time from bypass) | | | 6 + 120 × REFCLK | μs | DPLL in LP relock time: lowcurrstbby = 1 |
| t _{relock-F} | Relock time—Frequency lock ⁽⁵⁾ (fast relock time from bypass) | | | 3.55 + 70 × REFCLK | μs | DPLL in fast relock time: lowcurrstbby = 0 |
| p _{relock-F} | Relock time—Phase lock ⁽⁵⁾ (fast relock time from bypass) | | | 3.55 + 120 × REFCLK | μs | DPLL in fast relock time: lowcurrstbby = 0 |

(1) The minimum frequencies on CLKOUT and CLKOUTX2 are assuming M2 = 1.

For M2 > 1, the minimum frequency on these clocks will further scale down by factor of M2.

(2) The maximum frequencies on CLKOUT and CLKOUTX2 are assuming M2 = 1.

(3) The minimum frequency on CLKOUTHIF is assuming M3 = 1. For M3 > 1, the minimum frequency on this clock will further scale down by factor of M3.

(4) The maximum frequency on CLKOUTHIF is assuming M3 = 1.

(5) Relock time assumes typical operating conditions, 10°C maximum temperature drift.

(6) Bypass mode: f_{CLKOUT} = F_{INP} if ulowclken = 0. For more information, see the Device TRM.

Table 5-28. DPLL Type B Characteristics

| NAME | DESCRIPTION | MIN | TYP | MAX | UNIT | COMMENTS |
|-------------------------|--|----------------------|-----|------------------------|------|---|
| f _{input} | CLKINP input clock frequency | 0.62 | | 60 | MHz | F _{INP} |
| f _{internal} | REFCLK internal reference clock frequency | 0.62 | | 2.5 | MHz | $[1 / (N + 1)] \times F_{INP}$ |
| f _{CLKINPULOW} | CLKINPULOW bypass input clock frequency | 0.001 | | 600 | MHz | Bypass mode: f _{CLKOUT} = f _{CLKINPULOW} / (M1 + 1) if ulowclken = 1 ⁽⁴⁾ |
| f _{CLKLDOOUT} | CLKOUTLDO output clock frequency | 20 ⁽¹⁾⁽⁵⁾ | | 2500 ⁽²⁾⁽⁵⁾ | MHz | $M / (N + 1)] \times F_{INP} \times [1 / M2]$ (in locked condition) |
| f _{CLKOUT} | CLKOUT output clock frequency | 20 ⁽¹⁾⁽⁵⁾ | | 1450 ⁽²⁾⁽⁵⁾ | MHz | $[M / (N + 1)] \times F_{INP} \times [1 / M2]$ (in locked condition) |
| f _{CLKDCOLDO} | Internal oscillator (DCO) output clock frequency | 750 ⁽⁵⁾ | | 1500 ⁽⁵⁾ | MHz | $[M / (N + 1)] \times F_{INP}$ (in locked condition) |
| | | 1250 ⁽⁵⁾ | | 2500 ⁽⁵⁾ | MHz | |
| t _j | CLKOUTLDO period jitter | –2.5% | | 2.5% | | The period jitter at the output clocks is ± 2.5% peak to peak |
| | CLKOUT period jitter | | | | | |
| | CLKDCOLDO period jitter | | | | | |
| t _{lock} | Frequency lock time | | | 350 × REFCLKs | μs | |
| p _{lock} | Phase lock time | | | 500 × REFCLKs | μs | |
| t _{relock-L} | Relock time—Frequency lock ⁽³⁾ (LP relock time from bypass) | | | 9 + 30 × REFCLKs | μs | |

Table 5-28. DPLL Type B Characteristics (continued)

| NAME | DESCRIPTION | MIN | TYP | MAX | UNIT | COMMENTS |
|-----------|--|-----|-----|-------------------|------|----------|
| Prelock-L | Relock time—Phase lock ⁽³⁾ (LP relock time from bypass) | | | 9 + 125 × REFCLKs | μs | |

(1) The minimum frequency on CLKOUT is assuming M2 = 1.

For M2 > 1, the minimum frequency on this clock will further scale down by factor of M2.

(2) The maximum frequency on CLKOUT is assuming M2 = 1.

(3) Relock time assumes typical operating conditions, 10°C maximum temperature drift.

(4) Bypass mode: $f_{CLKOUT} = F_{INP}$ if ULOWCLKEN = 0. For more information, see the Device TRM.

(5) For output clocks, there are two frequency ranges according to the SELFREQDCO setting. For more information, see the Device TRM.

5.10.4.3.2 DLL Characteristics

Table 5-29 summarizes the DLL characteristics and assumes testing over recommended operating conditions.

Table 5-29. DLL Characteristics

| NAME | DESCRIPTION | MIN | TYP | MAX | UNIT |
|--------------|--|-----|-----|-----|--------|
| f_{input} | Input clock frequency (EMIF_DLL_FCLK) | | | 333 | MHz |
| t_{lock} | Lock time | | | 50k | cycles |
| t_{relock} | Relock time (a change of the DLL frequency implies that DLL must relock) | | | 50k | cycles |

5.10.5 Recommended Clock and Control Signal Transition Behavior

All clocks and control signals **must** transition between V_{IH} and V_{IL} (or between V_{IL} and V_{IH}) in a monotonic manner. Monotonic transitions are more easily ensured with faster switching signals. Slower input transitions are more susceptible to glitches due to noise and special care should be taken for slow input clocks.

5.10.6 Peripherals

5.10.6.1 Timing Test Conditions

All timing requirements and switching characteristics are valid over the recommended operating conditions unless otherwise specified.

5.10.6.2 Virtual and Manual I/O Timing Modes

Some of the timings described in the following sections require the use of Virtual or Manual I/O Timing Modes. Table 5-30 provides a summary of the Virtual and Manual I/O Timing Modes across all device interfaces. The individual interface timing sections found later in this document provide the full description of each applicable Virtual and Manual I/O Timing Mode. Refer to the "Pad Configuration" section of the TRM for the procedure on implementing the Virtual and Manual Timing Modes in a system.

Table 5-30. Modes Summary

| Virtual or Manual IO Mode Name | Data Manual Timing Mode |
|--|---|
| DPI Video Output | |
| No Virtual or Manual IO Timing Mode Required | DPI3 Video Output Default Timings - Rising-edge Clock Reference |
| DSS_VIRTUAL1 | DPI3 Video Output Default Timings - Falling-edge Clock Reference |
| VOUT2_IOSET1_MANUAL1 | DPI2 Video Output IOSET1 Alternate Timings |
| VOUT2_IOSET1_MANUAL2 | DPI2 Video Output IOSET1 Default Timings - Rising-edge Clock Reference |
| VOUT2_IOSET1_MANUAL3 | DPI2 Video Output IOSET1 Default Timings - Falling-edge Clock Reference |
| VOUT2_IOSET1_MANUAL4 | DPI2 Video Output IOSET1 MANUAL4 Timings |
| VOUT2_IOSET1_MANUAL5 | DPI2 Video Output IOSET1 MANUAL5 Timings |

Table 5-30. Modes Summary (continued)

| Virtual or Manual IO Mode Name | Data Manual Timing Mode |
|--|---|
| VOUT3_MANUAL1 | DPI3 Video Output Alternate Timings |
| VOUT3_MANUAL4 | DPI3 Video Output MANUAL4 Timings |
| VOUT3_MANUAL5 | DPI3 Video Output MANUAL5 Timings |
| GPIC | |
| No Virtual or Manual IO Timing Mode Required | GPIC Asynchronous Mode Timings and Synchronous Mode - Default Timings |
| GPIC_VIRTUAL1 | GPIC Synchronous Mode - Alternate Timings |
| McASP | |
| No Virtual or Manual IO Timing Mode Required | McASP1 Asynchronous and Synchronous Transmit Timings |
| MCASP1_VIRTUAL1_SYNC_RX | See Table 5-78 |
| MCASP1_VIRTUAL2_ASYNC_RX | See Table 5-78 |
| No Virtual or Manual IO Timing Mode Required | McASP2 Asynchronous and Synchronous Transmit Timings |
| MCASP2_VIRTUAL1_SYNC_RX_80M | See Table 5-79 |
| MCASP2_VIRTUAL2_ASYNC_RX | See Table 5-79 |
| MCASP2_VIRTUAL3_SYNC_RX | See Table 5-79 |
| MCASP2_VIRTUAL4_ASYNC_RX_80M | See Table 5-79 |
| No Virtual or Manual IO Timing Mode Required | McASP3 Synchronous Transmit Timings |
| MCASP3_VIRTUAL2_SYNC_RX | See Table 5-80 |
| No Virtual or Manual IO Timing Mode Required | McASP4 Synchronous Transmit Timings |
| MCASP4_VIRTUAL1_SYNC_RX | See Table 5-81 |
| No Virtual or Manual IO Timing Mode Required | McASP5 Synchronous Transmit Timings |
| MCASP5_VIRTUAL1_SYNC_RX | See Table 5-82 |
| No Virtual or Manual IO Timing Mode Required | McASP6 Synchronous Transmit Timings |
| MCASP6_VIRTUAL1_SYNC_RX | See Table 5-83 |
| No Virtual or Manual IO Timing Mode Required | McASP7 Synchronous Transmit Timings |
| MCASP7_VIRTUAL2_SYNC_RX | See Table 5-84 |
| No Virtual or Manual IO Timing Mode Required | McASP8 Synchronous Transmit Timings |
| MCASP8_VIRTUAL1_SYNC_RX | See Table 5-85 |
| eMMC/SD/SDIO | |
| No Virtual or Manual IO Timing Mode Required | MMC1 DS (Pad Loopback), HS (Internal Loopback and Pad Loopback), SDR12 (Internal Loopback and Pad Loopback), and SDR25 Timings (Internal Loopback and Pad Loopback) Timings |
| MMC1_VIRTUAL1 | MMC1 SDR50 (Pad Loopback) Timings |
| MMC1_VIRTUAL4 | MMC1 DS (Internal Loopback) Timings |
| MMC1_VIRTUAL5 | MMC1 SDR50 (Internal Loopback) Timings |
| MMC1_VIRTUAL6 | MMC1 DDR50 (Internal Loopback) Timings |
| MMC1_MANUAL1 | MMC1 DDR50 (Pad Loopback) Timings |
| MMC1_MANUAL2 | MMC1 SDR104 Timings |
| No Virtual or Manual IO Timing Mode Required | MMC2 Standard (Pad Loopback), High Speed (Pad Loopback) Timings |
| MMC2_VIRTUAL2 | MMC2 Standard (Internal Loopback), High Speed (Internal Loopback) Timings |
| MMC2_MANUAL1 | MMC2 DDR (Pad Loopback) Timings |
| MMC2_MANUAL2 | MMC2 DDR (Internal Loopback Manual) Timings |
| MMC2_MANUAL3 | MMC2 HS200 Timings |
| No Virtual or Manual IO Timing Mode Required | MMC3 DS, SDR12, HS, SDR25 Timings |
| MMC3_MANUAL1 | MMC3 SDR50 Timings |
| No Virtual or Manual IO Timing Mode Required | MMC4 DS, SDR12, HS, SDR25 Timings |
| QSPI | |
| No Virtual or Manual IO Timing Mode Required | QSPI Mode 3 Timings |
| QSPI1_MANUAL1 | QSPI Mode 0 Timings |

Table 5-30. Modes Summary (continued)

| Virtual or Manual IO Mode Name | Data Manual Timing Mode |
|--|---|
| GMAC | |
| No Virtual or Manual IO Timing Mode Required | GMAC MII0/1 Timings |
| GMAC_RGMII0_MANUAL1 | GMAC RGMII0 with Transmit Clock Internal Delay Enabled |
| GMAC_RGMII1_MANUAL1 | GMAC RGMII1 with Transmit Clock Internal Delay Enabled |
| GMAC_RMII0_MANUAL1 | GMAC RMII0 Timings |
| GMAC_RMII1_MANUAL1 | GMAC RMII1 Timings |
| VIP | |
| VIP_MANUAL3 | VIN2A (IOSET4/5/6) Rise-Edge Capture Mode Timings |
| VIP_MANUAL4 | VIN2B (IOSET7/8/9) Rise-Edge Capture Mode Timings |
| VIP_MANUAL5 | VIN2A (IOSET4/5/6) Fall-Edge Capture Mode Timings |
| VIP_MANUAL6 | VIN2B (IOSET7/8/9) Fall-Edge Capture Mode Timings |
| VIP_MANUAL7 | VIN1A (IOSET2) and VIN2B (IOSET1/10) Rise-Edge Capture Mode Timings |
| VIP_MANUAL9 | VIN1B (IOSET6/7) Rise-Edge Capture Mode Timings |
| VIP_MANUAL10 | VIN2B (IOSET2/11) Rise-Edge Capture Mode Timings |
| VIP_MANUAL11 | VIN2B (IOSET2/11) Fall-Edge Capture Mode Timings |
| VIP_MANUAL12 | VIN1A (IOSET2) and VIN2B (IOSET1/10) Fall-Edge Capture Mode Timings |
| VIP_MANUAL14 | VIN1B (IOSET6/7) Fall-Edge Capture Mode Timings |
| VIP_MANUAL15 | VIN1A (IOSET8/9/10) Rise-Edge Capture Mode Timings |
| VIP_MANUAL16 | VIN1A (IOSET8/9/10) Fall-Edge Capture Mode Timings |
| PRU-ICSS | |
| No Virtual or Manual IO Timing Mode Required | All PRU_ICSS Modes not covered below |
| PR1_PRU1_DIR_IN_MANUAL | PRU-ICSS1 PRU1 Direct Input Mode Timings |
| PR1_PRU1_DIR_OUT_MANUAL | PRU-ICSS1 PRU1 Direct Output Mode Timings |
| PR1_PRU1_PAR_CAP_MANUAL | PRU-ICSS1 PRU1 Parallel Capture Mode Timings |
| PR2_PRU0_DIR_IN_MANUAL2 | PRU-ICSS2 PRU0 IOSET2 Direct Input Mode Timings |
| PR2_PRU0_DIR_OUT_MANUAL2 | PRU-ICSS2 PRU0 IOSET2 Direct Output Mode Timings |
| PR2_PRU1_DIR_IN_MANUAL1 | PRU-ICSS2 PRU1 IOSET1 Direct Input Mode Timings |
| PR2_PRU1_DIR_IN_MANUAL2 | PRU-ICSS2 PRU1 IOSET2 Direct Input Mode Timings |
| PR2_PRU1_DIR_OUT_MANUAL1 | PRU-ICSS2 PRU1 IOSET1 Direct Output Mode Timings |
| PR2_PRU1_DIR_OUT_MANUAL2 | PRU-ICSS2 PRU1 IOSET2 Direct Output Mode Timings |
| PR2_PRU0_PAR_CAP_MANUAL2 | PRU-ICSS2 PRU0 IOSET2 Parallel Capture Mode Timings |
| PR2_PRU1_PAR_CAP_MANUAL1 | PRU-ICSS2 PRU1 IOSET1 Parallel Capture Mode Timings |
| PR2_PRU1_PAR_CAP_MANUAL2 | PRU-ICSS2 PRU1 IOSET2 Parallel Capture Mode Timings |
| HDMI, EMIF, Timers, I2C, HDQ/1-Wire, UART, McSPI, USB, PCIe, DCAN, GPIO, KBD, PWM, JTAG, TPIU, SDMA, INTC | |
| No Virtual or Manual IO Timing Mode Required | All Modes |

5.10.6.3 VIP

The Device includes 1 Video Input Port (VIP).

[Table 5-31](#), [Figure 5-17](#) and [Figure 5-18](#) present timings and switching characteristics of the VIP.

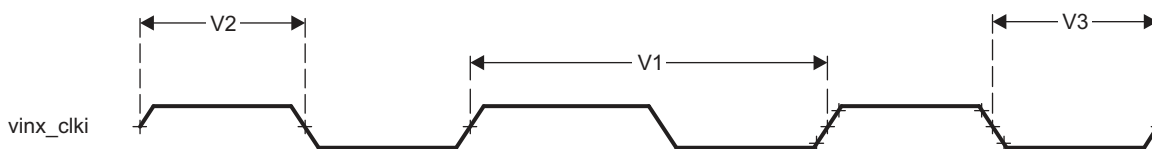
CAUTION

The I/O timings provided in this section are valid only for VIN1 and VIN2 if signals within a single IOSET are used. The IOSETs are defined in [Table 5-32](#).

Table 5-31. Timing Requirements for VIP (3)(4)(5)

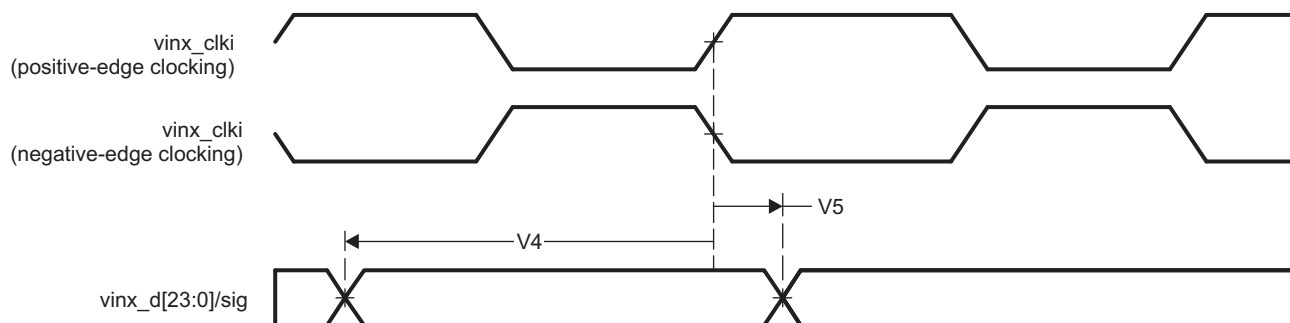
| NO. | PARAMETER | DESCRIPTION | MIN | MAX | UNIT |
|-----|-------------------------------|---|---------------------|-----|------|
| V1 | $t_{c}(\text{CLK})$ | Cycle time, vinx_clki (3) (5) | 6.06 (2) | | ns |
| V2 | $t_{w}(\text{CLKH})$ | Pulse duration, vinx_clki high (3) (5) | $0.45 \times P$ (2) | | ns |
| V3 | $t_{w}(\text{CLKL})$ | Pulse duration, vinx_clki low (3) (5) | $0.45 \times P$ (2) | | ns |
| V4 | $t_{su}(\text{CTL/DATA-CLK})$ | Input setup time, Control (vinx_dei, vinx_vsynci, vinx_fldi, vinx_hsynci) and Data (vinx_dn) valid to vinx_clki transition (3) (4) (5) | 3.11 (2) | | ns |
| V6 | $t_{h}(\text{CLK-CTL/DATA})$ | Input hold time, Control (vinx_dei, vinx_vsynci, vinx_fldi, vinx_hsynci) and Data (vinx_dn) valid from vinx_clki transition (3) (4) (5) | -0.05 (2) | | ns |

- (1) For maximum frequency of 165 MHz.
- (2) P = vinx_clki period.
- (3) x in vinx = 1a, 1b, 2a, 2b.
- (4) n in dn = 0 to 7 when x = 1b, 2b.
n = 0 to 23 when x = 1a, 2a.
- (5) i in clki, dei, vsynci, hsynci and fldi = 0 or 1.



SPRS906_TIMING_VIP_01

Figure 5-17. Video Input Ports clock signal



SPRS8xx_VIP_02

Figure 5-18. Video Input Ports timings

In [Table 5-32](#) and [Table 5-33](#) are presented the specific groupings of signals (IOSET) for use with vin1 and vin2.

Table 5-32. VIN1 IOSETs

| SIGNALS | IOSET2 | | IOSET6 ⁽¹⁾ | | IOSET7 ⁽¹⁾ | | IOSET8 | | IOSET9 | | IOSET10 | |
|--------------|--------|-----|-----------------------|-----|-----------------------|-----|--------|-----|--------|-----|---------|-----|
| | BALL | MUX | BALL | MUX | BALL | MUX | BALL | MUX | BALL | MUX | BALL | MUX |
| vin1a | | | | | | | | | | | | |
| vin1a_clk0 | G3 | 2 | | | | | Y5 | 9 | J24 | 7 | J24 | 7 |
| vin1a_hsync0 | K4 | 2 | | | | | AA4 | 9 | B14 | 7 | B14 | 7 |
| vin1a_vsync0 | H1 | 2 | | | | | AB1 | 9 | D14 | 7 | D14 | 7 |
| vin1a fld0 | L3 | 2 | | | | | | | C16 | 7 | C16 | 7 |
| vin1a_de0 | J2 | 2 | | | | | Y6 | 9 | C17 | 7 | C17 | 7 |
| vin1a_d0 | F1 | 2 | | | | | AA1 | 9 | J25 | 7 | B23 | 7 |
| vin1a_d1 | E2 | 2 | | | | | Y3 | 9 | B22 | 7 | B22 | 7 |
| vin1a_d2 | E1 | 2 | | | | | W2 | 9 | A23 | 7 | A23 | 7 |
| vin1a_d3 | C1 | 2 | | | | | AA3 | 9 | A22 | 7 | A22 | 7 |
| vin1a_d4 | D1 | 2 | | | | | AA2 | 9 | B21 | 7 | B21 | 7 |
| vin1a_d5 | D2 | 2 | | | | | Y4 | 9 | A21 | 7 | A21 | 7 |
| vin1a_d6 | B1 | 2 | | | | | Y1 | 9 | D19 | 7 | D19 | 7 |
| vin1a_d7 | B2 | 2 | | | | | Y2 | 9 | E19 | 7 | E19 | 7 |
| vin1a_d8 | C2 | 2 | | | | | | | F16 | 7 | F16 | 7 |
| vin1a_d9 | D3 | 2 | | | | | | | E16 | 7 | E16 | 7 |
| vin1a_d10 | A2 | 2 | | | | | | | E17 | 7 | E17 | 7 |
| vin1a_d11 | B3 | 2 | | | | | | | A19 | 7 | A19 | 7 |
| vin1a_d12 | C3 | 2 | | | | | | | B18 | 7 | B18 | 7 |
| vin1a_d13 | C4 | 2 | | | | | | | B16 | 7 | B16 | 7 |
| vin1a_d14 | A3 | 2 | | | | | | | B17 | 7 | B17 | 7 |
| vin1a_d15 | B4 | 2 | | | | | | | A18 | 7 | A18 | 7 |
| vin1a_d16 | M1 | 2 | | | | | | | | | | |
| vin1a_d17 | M2 | 2 | | | | | | | | | | |
| vin1a_d18 | L2 | 2 | | | | | | | | | | |
| vin1a_d19 | L1 | 2 | | | | | | | | | | |
| vin1a_d20 | K3 | 2 | | | | | | | | | | |
| vin1a_d21 | K2 | 2 | | | | | | | | | | |
| vin1a_d22 | J1 | 2 | | | | | | | | | | |
| vin1a_d23 | K1 | 2 | | | | | | | | | | |

Table 5-32. VIN1 IOSETs (continued)

| SIGNALS | IOSET2 | | IOSET6 ⁽¹⁾ | | IOSET7 ⁽¹⁾ | | IOSET8 | | IOSET9 | | IOSET10 | |
|--------------|--------|-----|-----------------------|-----|-----------------------|-----|--------|-----|--------|-----|---------|-----|
| | BALL | MUX | BALL | MUX | BALL | MUX | BALL | MUX | BALL | MUX | BALL | MUX |
| vin1b | | | | | | | | | | | | |
| vin1b_clk1 | | | L5 | 5 | J2 | 6 | | | | | | |
| vin1b_hsync1 | | | P3 | 5 | K4 | 6 | | | | | | |
| vin1b_vsync1 | | | R2 | 5 | H1 | 6 | | | | | | |
| vin1b fld1 | | | N4 | 5 | G1 | 6 | | | | | | |
| vin1b_de1 | | | P4 | 5 | L3 | 6 | | | | | | |
| vin1b_d0 | | | L6 | 5 | M1 | 6 | | | | | | |
| vin1b_d1 | | | N5 | 5 | M2 | 6 | | | | | | |
| vin1b_d2 | | | N6 | 5 | L2 | 6 | | | | | | |
| vin1b_d3 | | | T4 | 5 | L1 | 6 | | | | | | |
| vin1b_d4 | | | T5 | 5 | K3 | 6 | | | | | | |
| vin1b_d5 | | | N2 | 5 | K2 | 6 | | | | | | |
| vin1b_d6 | | | P2 | 5 | J1 | 6 | | | | | | |
| vin1b_d7 | | | N1 | 5 | K1 | 6 | | | | | | |

(1) The IOSET under this column is only applicable for pins with alternate functionality which allows either VIN1 or VIN2 signals to be mapped to the pins. These alternate functions are controlled via CTRL_CORE_VIP_MUX_SELECT register. For more information on how to use these options, please refer to Device TRM, Chapter Control Module, Section Pad Configuration Registers.

Table 5-33. VIN2 IOSETs

| SIGNALS | IOSET1 | | IOSET2 | | IOSET4 | | IOSET5 | | IOSET6 | | IOSET7 ⁽¹⁾ | | IOSET8 ⁽¹⁾ | | IOSET9 ⁽¹⁾ | |
|--------------|--------|-----|--------|-----|--------|-----|--------|-----|--------|-----|-----------------------|-----|-----------------------|-----|-----------------------|-----|
| | BALL | MUX | BALL | MUX | BALL | MUX | BALL | MUX | BALL | MUX | BALL | MUX | BALL | MUX | BALL | MUX |
| vin2a | | | | | | | | | | | | | | | | |
| vin2a_clk0 | | | | | D8 | 0 | D8 | 0 | L5 | 4 | | | | | | |
| vin2a_hsync0 | | | | | E8 | 0 | E8 | 0 | P3 | 4 | | | | | | |
| vin2a_vsync0 | | | | | B8 | 0 | B8 | 0 | R2 | 4 | | | | | | |
| vin2a fld0 | | | | | C7 | 0 | B7 | 1 | N4 | 4 | | | | | | |
| vin2a_de0 | | | | | B7 | 0 | | | P4 | 4 | | | | | | |
| vin2a_d0 | | | | | C8 | 0 | C8 | 0 | L6 | 4 | | | | | | |
| vin2a_d1 | | | | | B9 | 0 | B9 | 0 | N5 | 4 | | | | | | |
| vin2a_d2 | | | | | A7 | 0 | A7 | 0 | N6 | 4 | | | | | | |
| vin2a_d3 | | | | | A9 | 0 | A9 | 0 | T4 | 4 | | | | | | |
| vin2a_d4 | | | | | A8 | 0 | A8 | 0 | T5 | 4 | | | | | | |

Table 5-33. VIN2 IOSETs (continued)

| SIGNALS | IOSET1 | | IOSET2 | | IOSET4 | | IOSET5 | | IOSET6 | | IOSET7 ⁽¹⁾ | | IOSET8 ⁽¹⁾ | | IOSET9 ⁽¹⁾ | |
|--------------|--------|-----|--------|-----|--------|-----|--------|-----|--------|-----|-----------------------|-----|-----------------------|-----|-----------------------|-----|
| | BALL | MUX | BALL | MUX | BALL | MUX | BALL | MUX | BALL | MUX | BALL | MUX | BALL | MUX | BALL | MUX |
| vin2a_d5 | | | | | A11 | 0 | A11 | 0 | N2 | 4 | | | | | | |
| vin2a_d6 | | | | | F10 | 0 | F10 | 0 | P2 | 4 | | | | | | |
| vin2a_d7 | | | | | A10 | 0 | A10 | 0 | N1 | 4 | | | | | | |
| vin2a_d8 | | | | | B10 | 0 | B10 | 0 | P1 | 4 | | | | | | |
| vin2a_d9 | | | | | E10 | 0 | E10 | 0 | N3 | 4 | | | | | | |
| vin2a_d10 | | | | | D10 | 0 | D10 | 0 | R1 | 4 | | | | | | |
| vin2a_d11 | | | | | C10 | 0 | C10 | 0 | P5 | 4 | | | | | | |
| vin2a_d12 | | | | | B11 | 0 | B11 | 0 | | | | | | | | |
| vin2a_d13 | | | | | D11 | 0 | D11 | 0 | | | | | | | | |
| vin2a_d14 | | | | | C11 | 0 | C11 | 0 | | | | | | | | |
| vin2a_d15 | | | | | B12 | 0 | B12 | 0 | | | | | | | | |
| vin2a_d16 | | | | | A12 | 0 | A12 | 0 | | | | | | | | |
| vin2a_d17 | | | | | A13 | 0 | A13 | 0 | | | | | | | | |
| vin2a_d18 | | | | | E11 | 0 | E11 | 0 | | | | | | | | |
| vin2a_d19 | | | | | F11 | 0 | F11 | 0 | | | | | | | | |
| vin2a_d20 | | | | | B13 | 0 | B13 | 0 | | | | | | | | |
| vin2a_d21 | | | | | E13 | 0 | E13 | 0 | | | | | | | | |
| vin2a_d22 | | | | | C13 | 0 | C13 | 0 | | | | | | | | |
| vin2a_d23 | | | | | D13 | 0 | D13 | 0 | | | | | | | | |
| vin2b | | | | | | | | | | | | | | | | |
| vin2b_clk1 | L4 | 6 | H6 | 4 | | | | | | | C7 | 2 | C7 | 2 | AB1 | 4 |
| vin2b_hsync1 | B6 | 6 | B6 | 6 | | | | | | | E8 | 3 | E8 | 3 | Y5 | 4 |
| vin2b_vsync1 | A6 | 6 | A6 | 6 | | | | | | | B8 | 3 | B8 | 3 | Y6 | 4 |
| vin2b fld1 | H6 | 6 | | | | | | | | | | | B7 | 2 | | |
| vin2b_de1 | H2 | 6 | H2 | 6 | | | | | | | B7 | 3 | | | AA4 | 4 |
| vin2b_d0 | A4 | 6 | A4 | 6 | | | | | | | D13 | 2 | D13 | 2 | AA1 | 4 |
| vin2b_d1 | E7 | 6 | E7 | 6 | | | | | | | C13 | 2 | C13 | 2 | Y3 | 4 |
| vin2b_d2 | D6 | 6 | D6 | 6 | | | | | | | E13 | 2 | E13 | 2 | W2 | 4 |
| vin2b_d3 | C5 | 6 | C5 | 6 | | | | | | | B13 | 2 | B13 | 2 | AA3 | 4 |
| vin2b_d4 | B5 | 6 | B5 | 6 | | | | | | | F11 | 2 | F11 | 2 | AA2 | 4 |
| vin2b_d5 | D7 | 6 | D7 | 6 | | | | | | | E11 | 2 | E11 | 2 | Y4 | 4 |
| vin2b_d6 | C6 | 6 | C6 | 6 | | | | | | | A13 | 2 | A13 | 2 | Y1 | 4 |

Table 5-33. VIN2 IOSETs (continued)

| SIGNALS | IOSET1 | | IOSET2 | | IOSET4 | | IOSET5 | | IOSET6 | | IOSET7 ⁽¹⁾ | | IOSET8 ⁽¹⁾ | | IOSET9 ⁽¹⁾ | |
|----------|--------|-----|--------|-----|--------|-----|--------|-----|--------|-----|-----------------------|-----|-----------------------|-----|-----------------------|-----|
| | BALL | MUX | BALL | MUX | BALL | MUX | BALL | MUX | BALL | MUX | BALL | MUX | BALL | MUX | BALL | MUX |
| vin2b_d7 | A5 | 6 | A5 | 6 | | | | | | | A12 | 2 | A12 | 2 | Y2 | 4 |

(1) The IOSET under this column is only applicable for pins with alternate functionality which allows either VIN1 or VIN2 signals to be mapped to the pins. These alternate functions are controlled via CTRL_CORE_VIP_MUX_SELECT register. For more information on how to use these options, please refer to Device TRM, Chapter Control Module, Section Pad Configuration Registers.

NOTE

To configure the desired Manual IO Timing Mode the user must follow the steps described in section "Manual IO Timing Modes" of the Device TRM.

The associated registers to configure are listed in the **CFG REGISTER** column. For more information please see the *Control Module Chapter* in the Device TRM.

Manual IO Timings Modes must be used to ensure some IO timings for VIP1. See [Table 5-30, Modes Summary](#) for a list of IO timings requiring the use of Manual IO Timings Modes. See [Table 5-34, Manual Functions Mapping for VIN2A \(IOSET4/5/6\)](#) for a definition of the Manual modes.

[Table 5-34](#) lists the A_DELAY and G_DELAY values needed to calculate the correct values to be set in the CFG_x registers.

Table 5-34. Manual Functions Mapping for VIN2A (IOSET4/5/6)

| BALL | BALL NAME | VIP_MANUAL3 | | VIP_MANUAL5 | | CFG REGISTER | MUXMODE | | |
|------|-----------------|--------------|--------------|--------------|--------------|------------------------|---------|---|--------------|
| | | A_DELAY (ps) | G_DELAY (ps) | A_DELAY (ps) | G_DELAY (ps) | | 0 | 1 | 4 |
| P5 | RMII_MHZ_50_CLK | 2616 | 1379 | 2798 | 1294 | CFG_RMII_MHZ_50_CLK_IN | - | - | vin2a_d11 |
| L6 | mdio_d | 2558 | 1105 | 2790 | 954 | CFG_MDIO_D_IN | - | - | vin2a_d0 |
| L5 | mdio_mclk | 998 | 463 | 1029 | 431 | CFG_MDIO_MCLK_IN | - | - | vin2a_clk0 |
| N2 | rgmii0_rxc | 2658 | 862 | 2896 | 651 | CFG_RGMII0_RXC_IN | - | - | vin2a_d5 |
| P2 | rgmii0_rxctl | 2658 | 1628 | 2844 | 1518 | CFG_RGMII0_RXCTL_IN | - | - | vin2a_d6 |
| N4 | rgmii0_rxd0 | 2638 | 1123 | 2856 | 888 | CFG_RGMII0_RXD0_IN | - | - | vin2a_fld0 |
| N3 | rgmii0_rxd1 | 2641 | 1737 | 2804 | 1702 | CFG_RGMII0_RXD1_IN | - | - | vin2a_d9 |
| P1 | rgmii0_rxd2 | 2641 | 1676 | 2801 | 1652 | CFG_RGMII0_RXD2_IN | - | - | vin2a_d8 |
| N1 | rgmii0_rxd3 | 2644 | 1828 | 2807 | 1790 | CFG_RGMII0_RXD3_IN | - | - | vin2a_d7 |
| T4 | rgmii0_txc | 2638 | 1454 | 2835 | 1396 | CFG_RGMII0_TXC_IN | - | - | vin2a_d3 |
| T5 | rgmii0_txctl | 2672 | 1663 | 2831 | 1640 | CFG_RGMII0_TXCTL_IN | - | - | vin2a_d4 |
| R1 | rgmii0_txd0 | 2604 | 1442 | 2764 | 1417 | CFG_RGMII0_TXD0_IN | - | - | vin2a_d10 |
| R2 | rgmii0_txd1 | 2683 | 1598 | 2843 | 1600 | CFG_RGMII0_TXD1_IN | - | - | vin2a_vsync0 |
| P3 | rgmii0_txd2 | 2563 | 1483 | 2816 | 1344 | CFG_RGMII0_TXD2_IN | - | - | vin2a_hsync0 |

Table 5-34. Manual Functions Mapping for VIN2A (IOSET4/5/6) (continued)

| BALL | BALL NAME | VIP_MANUAL3 | | VIP_MANUAL5 | | CFG REGISTER | MUXMODE | | |
|------|--------------|--------------|--------------|--------------|--------------|---------------------|--------------|------------|-----------|
| | | A_DELAY (ps) | G_DELAY (ps) | A_DELAY (ps) | G_DELAY (ps) | | 0 | 1 | 4 |
| P4 | rgmii0_txd3 | 2717 | 1461 | 2913 | 1310 | CFG_RGMII0_TXD3_IN | - | - | vin2a_de0 |
| N5 | uart3_rxd | 2445 | 1145 | 2743 | 923 | CFG_UART3_RXD_IN | - | - | vin2a_d1 |
| N6 | uart3_txd | 2650 | 1197 | 2842 | 1080 | CFG_UART3_TXD_IN | - | - | vin2a_d2 |
| D8 | vin2a_clk0 | 0 | 0 | 0 | 0 | CFG_VIN2A_CLK0_IN | vin2a_clk0 | - | - |
| C8 | vin2a_d0 | 1812 | 102 | 1936 | 0 | CFG_VIN2A_D0_IN | vin2a_d0 | - | - |
| B9 | vin2a_d1 | 1701 | 439 | 2229 | 10 | CFG_VIN2A_D1_IN | vin2a_d1 | - | - |
| D10 | vin2a_d10 | 1720 | 215 | 2031 | 0 | CFG_VIN2A_D10_IN | vin2a_d10 | - | - |
| C10 | vin2a_d11 | 1622 | 0 | 1702 | 0 | CFG_VIN2A_D11_IN | vin2a_d11 | - | - |
| B11 | vin2a_d12 | 1350 | 412 | 1819 | 0 | CFG_VIN2A_D12_IN | vin2a_d12 | - | - |
| D11 | vin2a_d13 | 1613 | 147 | 1476 | 260 | CFG_VIN2A_D13_IN | vin2a_d13 | - | - |
| C11 | vin2a_d14 | 1149 | 516 | 1701 | 0 | CFG_VIN2A_D14_IN | vin2a_d14 | - | - |
| B12 | vin2a_d15 | 1530 | 450 | 2021 | 0 | CFG_VIN2A_D15_IN | vin2a_d15 | - | - |
| A12 | vin2a_d16 | 1512 | 449 | 2044 | 11 | CFG_VIN2A_D16_IN | vin2a_d16 | - | - |
| A13 | vin2a_d17 | 1293 | 488 | 1839 | 5 | CFG_VIN2A_D17_IN | vin2a_d17 | - | - |
| E11 | vin2a_d18 | 2140 | 371 | 2494 | 0 | CFG_VIN2A_D18_IN | vin2a_d18 | - | - |
| F11 | vin2a_d19 | 2041 | 275 | 1699 | 611 | CFG_VIN2A_D19_IN | vin2a_d19 | - | - |
| A7 | vin2a_d2 | 1675 | 35 | 1736 | 0 | CFG_VIN2A_D2_IN | vin2a_d2 | - | - |
| B13 | vin2a_d20 | 1972 | 441 | 2412 | 88 | CFG_VIN2A_D20_IN | vin2a_d20 | - | - |
| E13 | vin2a_d21 | 1957 | 556 | 2391 | 161 | CFG_VIN2A_D21_IN | vin2a_d21 | - | - |
| C13 | vin2a_d22 | 2011 | 433 | 2446 | 102 | CFG_VIN2A_D22_IN | vin2a_d22 | - | - |
| D13 | vin2a_d23 | 1962 | 523 | 2395 | 145 | CFG_VIN2A_D23_IN | vin2a_d23 | - | - |
| A9 | vin2a_d3 | 1457 | 361 | 1943 | 0 | CFG_VIN2A_D3_IN | vin2a_d3 | - | - |
| A8 | vin2a_d4 | 1535 | 0 | 1601 | 0 | CFG_VIN2A_D4_IN | vin2a_d4 | - | - |
| A11 | vin2a_d5 | 1676 | 271 | 2052 | 0 | CFG_VIN2A_D5_IN | vin2a_d5 | - | - |
| F10 | vin2a_d6 | 1513 | 0 | 1571 | 0 | CFG_VIN2A_D6_IN | vin2a_d6 | - | - |
| A10 | vin2a_d7 | 1616 | 141 | 1855 | 0 | CFG_VIN2A_D7_IN | vin2a_d7 | - | - |
| B10 | vin2a_d8 | 1286 | 437 | 1224 | 618 | CFG_VIN2A_D8_IN | vin2a_d8 | - | - |
| E10 | vin2a_d9 | 1544 | 265 | 1373 | 509 | CFG_VIN2A_D9_IN | vin2a_d9 | - | - |
| B7 | vin2a_de0 | 1732 | 208 | 1949 | 0 | CFG_VIN2A_DE0_IN | vin2a_de0 | vin2a_fld0 | - |
| C7 | vin2a_fld0 | 1461 | 562 | 1983 | 151 | CFG_VIN2A_FLD0_IN | vin2a_fld0 | - | - |
| E8 | vin2a_hsync0 | 1877 | 0 | 1943 | 0 | CFG_VIN2A_HSYNC0_IN | vin2a_hsync0 | - | - |
| B8 | vin2a_vsync0 | 1566 | 0 | 1612 | 0 | CFG_VIN2A_VSYNC0_IN | vin2a_vsync0 | - | - |

Manual IO Timings Modes must be used to ensure some IO timings for VIP1. See [Table 5-30, Modes Summary](#) for a list of IO timings requiring the use of Manual IO Timings Modes. See [Table 5-35, Manual Functions Mapping for VIN2B \(IOSET7/8/9\)](#) for a definition of the Manual modes.

[Table 5-35](#) lists the A_DELAY and G_DELAY values needed to calculate the correct values to be set in the CFG_x registers.

Table 5-35. Manual Functions Mapping for VIN2B (IOSET7/8/9)

| BALL | BALL NAME | VIP_MANUAL4 | | VIP_MANUAL6 | | CFG REGISTER | MUXMODE | | |
|------|--------------|--------------|--------------|--------------|--------------|---------------------|------------|--------------|--------------|
| | | A_DELAY (ps) | G_DELAY (ps) | A_DELAY (ps) | G_DELAY (ps) | | 2 | 3 | 4 |
| Y5 | gpio6_10 | 2829 | 884 | 3009 | 892 | CFG_GPIO6_10_IN | - | - | vin2b_hsync1 |
| Y6 | gpio6_11 | 2648 | 1033 | 2890 | 1096 | CFG_GPIO6_11_IN | - | - | vin2b_vsync1 |
| Y2 | mmc3_clk | 2794 | 1074 | 2997 | 1089 | CFG_MMC3_CLK_IN | - | - | vin2b_d7 |
| Y1 | mmc3_cmd | 2789 | 1162 | 2959 | 1210 | CFG_MMC3_CMD_IN | - | - | vin2b_d6 |
| Y4 | mmc3_dat0 | 2689 | 1180 | 2897 | 1269 | CFG_MMC3_DAT0_IN | - | - | vin2b_d5 |
| AA2 | mmc3_dat1 | 2605 | 1219 | 2891 | 1219 | CFG_MMC3_DAT1_IN | - | - | vin2b_d4 |
| AA3 | mmc3_dat2 | 2616 | 703 | 2947 | 590 | CFG_MMC3_DAT2_IN | - | - | vin2b_d3 |
| W2 | mmc3_dat3 | 2760 | 1235 | 2931 | 1342 | CFG_MMC3_DAT3_IN | - | - | vin2b_d2 |
| Y3 | mmc3_dat4 | 2757 | 880 | 2979 | 891 | CFG_MMC3_DAT4_IN | - | - | vin2b_d1 |
| AA1 | mmc3_dat5 | 2688 | 1177 | 2894 | 1262 | CFG_MMC3_DAT5_IN | - | - | vin2b_d0 |
| AA4 | mmc3_dat6 | 2638 | 1165 | 2894 | 1187 | CFG_MMC3_DAT6_IN | - | - | vin2b_de1 |
| AB1 | mmc3_dat7 | 995 | 182 | 1202 | 107 | CFG_MMC3_DAT7_IN | - | - | vin2b_clk1 |
| A12 | vin2a_d16 | 1423 | 0 | 1739 | 0 | CFG_VIN2A_D16_IN | vin2b_d7 | - | - |
| A13 | vin2a_d17 | 1253 | 0 | 1568 | 0 | CFG_VIN2A_D17_IN | vin2b_d6 | - | - |
| E11 | vin2a_d18 | 2080 | 0 | 2217 | 0 | CFG_VIN2A_D18_IN | vin2b_d5 | - | - |
| F11 | vin2a_d19 | 1849 | 0 | 2029 | 0 | CFG_VIN2A_D19_IN | vin2b_d4 | - | - |
| B13 | vin2a_d20 | 1881 | 50 | 2202 | 0 | CFG_VIN2A_D20_IN | vin2b_d3 | - | - |
| E13 | vin2a_d21 | 1917 | 167 | 2313 | 0 | CFG_VIN2A_D21_IN | vin2b_d2 | - | - |
| C13 | vin2a_d22 | 1955 | 79 | 2334 | 0 | CFG_VIN2A_D22_IN | vin2b_d1 | - | - |
| D13 | vin2a_d23 | 1899 | 145 | 2288 | 0 | CFG_VIN2A_D23_IN | vin2b_d0 | - | - |
| B7 | vin2a_de0 | 1568 | 261 | 2048 | 0 | CFG_VIN2A_DE0_IN | vin2b_fld1 | vin2b_de1 | - |
| C7 | vin2a_fld0 | 0 | 0 | 0 | 0 | CFG_VIN2A_FLD0_IN | vin2b_clk1 | - | - |
| E8 | vin2a_hsync0 | 1793 | 0 | 2011 | 0 | CFG_VIN2A_HSYNC0_IN | - | vin2b_hsync1 | - |
| B8 | vin2a_vsync0 | 1382 | 0 | 1632 | 0 | CFG_VIN2A_VSYNC0_IN | - | vin2b_vsync1 | - |

Manual IO Timings Modes must be used to ensure some IO timings for VIP1. See [Table 5-30, Modes Summary](#) for a list of IO timings requiring the use of Manual IO Timings Modes. See [Table 5-36, Manual Functions Mapping for VIN1A \(IOSET2\) and VIN2B \(IOSET1/10\)](#) for a definition of the Manual modes.

[Table 5-36](#) lists the A_DELAY and G_DELAY values needed to calculate the correct values to be set in the CFG_x registers.

Table 5-36. Manual Functions Mapping for VIN1A (IOSET2) and VIN2B (IOSET1/10)

| BALL | BALL NAME | VIP_MANUAL7 | | VIP_MANUAL12 | | CFG REGISTER | MUXMODE | |
|------|-----------|--------------|--------------|--------------|--------------|------------------|--------------|--------------|
| | | A_DELAY (ps) | G_DELAY (ps) | A_DELAY (ps) | G_DELAY (ps) | | 2 | 6 |
| M1 | gpmc_a0 | 3080 | 1792 | 3376 | 1632 | CFG_GPMC_A0_IN | vin1a_d16 | - |
| M2 | gpmc_a1 | 2958 | 1890 | 3249 | 1749 | CFG_GPMC_A1_IN | vin1a_d17 | - |
| J2 | gpmc_a10 | 3073 | 1653 | 3388 | 1433 | CFG_GPMC_A10_IN | vin1a_de0 | - |
| L3 | gpmc_a11 | 3014 | 1784 | 3290 | 1693 | CFG_GPMC_A11_IN | vin1a_fld0 | - |
| A4 | gpmc_a19 | 1385 | 0 | 1246 | 0 | CFG_GPMC_A19_IN | - | vin2b_d0 |
| L2 | gpmc_a2 | 3041 | 1960 | 3322 | 1850 | CFG_GPMC_A2_IN | vin1a_d18 | - |
| E7 | gpmc_a20 | 859 | 0 | 720 | 0 | CFG_GPMC_A20_IN | - | vin2b_d1 |
| D6 | gpmc_a21 | 1465 | 0 | 1334 | 0 | CFG_GPMC_A21_IN | - | vin2b_d2 |
| C5 | gpmc_a22 | 1210 | 0 | 1064 | 0 | CFG_GPMC_A22_IN | - | vin2b_d3 |
| B5 | gpmc_a23 | 1111 | 0 | 954 | 0 | CFG_GPMC_A23_IN | - | vin2b_d4 |
| D7 | gpmc_a24 | 1137 | 0 | 1051 | 0 | CFG_GPMC_A24_IN | - | vin2b_d5 |
| C6 | gpmc_a25 | 1402 | 0 | 1283 | 0 | CFG_GPMC_A25_IN | - | vin2b_d6 |
| A5 | gpmc_a26 | 1298 | 0 | 1153 | 0 | CFG_GPMC_A26_IN | - | vin2b_d7 |
| B6 | gpmc_a27 | 934 | 0 | 870 | 0 | CFG_GPMC_A27_IN | - | vin2b_hsync1 |
| L1 | gpmc_a3 | 3019 | 2145 | 3296 | 2050 | CFG_GPMC_A3_IN | vin1a_d19 | - |
| K3 | gpmc_a4 | 3063 | 1981 | 3357 | 1829 | CFG_GPMC_A4_IN | vin1a_d20 | - |
| K2 | gpmc_a5 | 3021 | 1954 | 3304 | 1840 | CFG_GPMC_A5_IN | vin1a_d21 | - |
| J1 | gpmc_a6 | 3062 | 1716 | 3348 | 1592 | CFG_GPMC_A6_IN | vin1a_d22 | - |
| K1 | gpmc_a7 | 3260 | 1889 | 3583 | 1631 | CFG_GPMC_A7_IN | vin1a_d23 | - |
| K4 | gpmc_a8 | 3033 | 1702 | 3328 | 1547 | CFG_GPMC_A8_IN | vin1a_hsync0 | - |
| H1 | gpmc_a9 | 2991 | 1905 | 3281 | 1766 | CFG_GPMC_A9_IN | vin1a_vsync0 | - |
| F1 | gpmc_ad0 | 2907 | 1342 | 3181 | 1255 | CFG_GPMC_AD0_IN | vin1a_d0 | - |
| E2 | gpmc_ad1 | 2858 | 1321 | 3132 | 1234 | CFG_GPMC_AD1_IN | vin1a_d1 | - |
| A2 | gpmc_ad10 | 2920 | 1384 | 3223 | 1204 | CFG_GPMC_AD10_IN | vin1a_d10 | - |
| B3 | gpmc_ad11 | 2719 | 1310 | 3019 | 1198 | CFG_GPMC_AD11_IN | vin1a_d11 | - |
| C3 | gpmc_ad12 | 2845 | 1135 | 3160 | 917 | CFG_GPMC_AD12_IN | vin1a_d12 | - |
| C4 | gpmc_ad13 | 2765 | 1225 | 3045 | 1119 | CFG_GPMC_AD13_IN | vin1a_d13 | - |

Table 5-36. Manual Functions Mapping for VIN1A (IOSET2) and VIN2B (IOSET1/10) (continued)

| BALL | BALL NAME | VIP_MANUAL7 | | VIP_MANUAL12 | | CFG REGISTER | MUXMODE | |
|------|-----------|--------------|--------------|--------------|--------------|------------------|------------|--------------|
| | | A_DELAY (ps) | G_DELAY (ps) | A_DELAY (ps) | G_DELAY (ps) | | 2 | 6 |
| A3 | gpmc_ad14 | 2845 | 1150 | 3153 | 952 | CFG_GPMC_AD14_IN | vin1a_d14 | - |
| B4 | gpmc_ad15 | 2766 | 1453 | 3044 | 1355 | CFG_GPMC_AD15_IN | vin1a_d15 | - |
| E1 | gpmc_ad2 | 2951 | 1296 | 3226 | 1209 | CFG_GPMC_AD2_IN | vin1a_d2 | - |
| C1 | gpmc_ad3 | 2825 | 1154 | 3121 | 997 | CFG_GPMC_AD3_IN | vin1a_d3 | - |
| D1 | gpmc_ad4 | 2927 | 1245 | 3246 | 1014 | CFG_GPMC_AD4_IN | vin1a_d4 | - |
| D2 | gpmc_ad5 | 2923 | 1251 | 3217 | 1098 | CFG_GPMC_AD5_IN | vin1a_d5 | - |
| B1 | gpmc_ad6 | 2958 | 1342 | 3238 | 1239 | CFG_GPMC_AD6_IN | vin1a_d6 | - |
| B2 | gpmc_ad7 | 2900 | 1244 | 3174 | 1157 | CFG_GPMC_AD7_IN | vin1a_d7 | - |
| C2 | gpmc_ad8 | 2845 | 1585 | 3125 | 1482 | CFG_GPMC_AD8_IN | vin1a_d8 | - |
| D3 | gpmc_ad9 | 2779 | 1343 | 3086 | 1223 | CFG_GPMC_AD9_IN | vin1a_d9 | - |
| H2 | gpmc_ben0 | 1555 | 0 | 1425 | 0 | CFG_GPMC_BEN0_IN | - | vin2b_de1 |
| H6 | gpmc_ben1 | 1501 | 0 | 1397 | 0 | CFG_GPMC_BEN1_IN | - | vin2b_fld1 |
| L4 | gpmc_clk | 0 | 0 | 0 | 0 | CFG_GPMC_CLK_IN | - | vin2b_clk1 |
| A6 | gpmc_cs1 | 1192 | 0 | 1102 | 0 | CFG_GPMC_CS1_IN | - | vin2b_vsync1 |
| G3 | gpmc_cs3 | 1324 | 374 | 1466 | 353 | CFG_GPMC_CS3_IN | vin1a_clk0 | - |

Manual IO Timings Modes must be used to ensure some IO timings for VIP1. See [Table 5-30, Modes Summary](#) for a list of IO timings requiring the use of Manual IO Timings Modes. See [Table 5-37, Manual Functions Mapping for VIN1B \(IOSET6/7\)](#) for a definition of the Manual modes.

[Table 5-37](#) lists the A_DELAY and G_DELAY values needed to calculate the correct values to be set in the CFG_x registers.

Table 5-37. Manual Functions Mapping for VIN1B (IOSET6/7)

| BALL | BALL NAME | VIP_MANUAL9 | | VIP_MANUAL14 | | CFG REGISTER | MUXMODE | |
|------|-----------|--------------|--------------|--------------|--------------|-----------------|---------|------------|
| | | A_DELAY (ps) | G_DELAY (ps) | A_DELAY (ps) | G_DELAY (ps) | | 5 | 6 |
| M1 | gpmc_a0 | 1873 | 702 | 2202 | 441 | CFG_GPMC_A0_IN | - | vin1b_d0 |
| M2 | gpmc_a1 | 1629 | 772 | 2057 | 413 | CFG_GPMC_A1_IN | - | vin1b_d1 |
| J2 | gpmc_a10 | 0 | 0 | 0 | 0 | CFG_GPMC_A10_IN | - | vin1b_clk1 |
| L3 | gpmc_a11 | 1851 | 1011 | 2126 | 856 | CFG_GPMC_A11_IN | - | vin1b_de1 |
| G1 | gpmc_a12 | 2009 | 601 | 2289 | 327 | CFG_GPMC_A12_IN | - | vin1b_fld1 |
| L2 | gpmc_a2 | 1734 | 898 | 2131 | 573 | CFG_GPMC_A2_IN | - | vin1b_d2 |
| L1 | gpmc_a3 | 1757 | 1076 | 2106 | 812 | CFG_GPMC_A3_IN | - | vin1b_d3 |
| K3 | gpmc_a4 | 1794 | 893 | 2164 | 559 | CFG_GPMC_A4_IN | - | vin1b_d4 |
| K2 | gpmc_a5 | 1726 | 853 | 2120 | 523 | CFG_GPMC_A5_IN | - | vin1b_d5 |

Table 5-37. Manual Functions Mapping for VIN1B (IOSET6/7) (continued)

| BALL | BALL NAME | VIP_MANUAL9 | | VIP_MANUAL14 | | CFG REGISTER | MUXMODE | |
|------|--------------|--------------|--------------|--------------|--------------|---------------------|--------------|--------------|
| | | A_DELAY (ps) | G_DELAY (ps) | A_DELAY (ps) | G_DELAY (ps) | | 5 | 6 |
| J1 | gpmc_a6 | 1792 | 612 | 2153 | 338 | CFG_GPMC_A6_IN | - | vin1b_d6 |
| K1 | gpmc_a7 | 2117 | 610 | 2389 | 304 | CFG_GPMC_A7_IN | - | vin1b_d7 |
| K4 | gpmc_a8 | 1758 | 653 | 2140 | 308 | CFG_GPMC_A8_IN | - | vin1b_hsync1 |
| H1 | gpmc_a9 | 1705 | 899 | 2067 | 646 | CFG_GPMC_A9_IN | - | vin1b_vsync1 |
| L6 | mdio_d | 1945 | 671 | 2265 | 414 | CFG_MDIO_D_IN | vin1b_d0 | - |
| L5 | mdio_mclk | 255 | 119 | 337 | 0 | CFG_MDIO_MCLK_IN | vin1b_clk1 | - |
| N2 | rgmii0_rxc | 2057 | 909 | 2341 | 646 | CFG_RGMII0_RXC_IN | vin1b_d5 | - |
| P2 | rgmii0_rxctl | 2121 | 1139 | 2323 | 988 | CFG_RGMII0_RXCTL_IN | vin1b_d6 | - |
| N4 | rgmii0_rxd0 | 2070 | 655 | 2336 | 340 | CFG_RGMII0_RXD0_IN | vin1b_fid1 | - |
| N1 | rgmii0_rxd3 | 2092 | 1357 | 2306 | 1216 | CFG_RGMII0_RXD3_IN | vin1b_d7 | - |
| T4 | rgmii0_txc | 2088 | 1205 | 2328 | 1079 | CFG_RGMII0_TXC_IN | vin1b_d3 | - |
| T5 | rgmii0_txctl | 2143 | 1383 | 2312 | 1311 | CFG_RGMII0_TXCTL_IN | vin1b_d4 | - |
| R2 | rgmii0_txd1 | 2078 | 1189 | 2324 | 1065 | CFG_RGMII0_TXD1_IN | vin1b_vsync1 | - |
| P3 | rgmii0_txd2 | 1928 | 1125 | 2306 | 763 | CFG_RGMII0_TXD2_IN | vin1b_hsync1 | - |
| P4 | rgmii0_txd3 | 2255 | 971 | 2401 | 846 | CFG_RGMII0_TXD3_IN | vin1b_de1 | - |
| N5 | uart3_rxd | 1829 | 747 | 2220 | 400 | CFG_UART3_RXD_IN | vin1b_d1 | - |
| N6 | uart3_txd | 2030 | 837 | 2324 | 568 | CFG_UART3_TXD_IN | vin1b_d2 | - |

Manual IO Timings Modes must be used to ensure some IO timings for VIP1. See [Table 5-30, Modes Summary](#) for a list of IO timings requiring the use of Manual IO Timings Modes. See [Table 5-38, Manual Functions Mapping for VIN2B \(IOSET2/11\)](#) for a definition of the Manual modes.

[Table 5-38](#) lists the A_DELAY and G_DELAY values needed to calculate the correct values to be set in the CFG_x registers.

Table 5-38. Manual Functions Mapping for VIN2B (IOSET2/11)

| BALL | BALL NAME | VIP_MANUAL10 | | VIP_MANUAL11 | | CFG REGISTER | MUXMODE | |
|------|-----------|--------------|--------------|--------------|--------------|-----------------|---------|----------|
| | | A_DELAY (ps) | G_DELAY (ps) | A_DELAY (ps) | G_DELAY (ps) | | 4 | 6 |
| A4 | gpmc_a19 | 1600 | 943 | 2023 | 477 | CFG_GPMC_A19_IN | - | vin2b_d0 |
| E7 | gpmc_a20 | 1440 | 621 | 1875 | 136 | CFG_GPMC_A20_IN | - | vin2b_d1 |
| D6 | gpmc_a21 | 1602 | 1066 | 2021 | 604 | CFG_GPMC_A21_IN | - | vin2b_d2 |
| C5 | gpmc_a22 | 1395 | 983 | 1822 | 519 | CFG_GPMC_A22_IN | - | vin2b_d3 |
| B5 | gpmc_a23 | 1571 | 716 | 2045 | 200 | CFG_GPMC_A23_IN | - | vin2b_d4 |
| D7 | gpmc_a24 | 1463 | 832 | 1893 | 396 | CFG_GPMC_A24_IN | - | vin2b_d5 |
| C6 | gpmc_a25 | 1426 | 1166 | 1842 | 732 | CFG_GPMC_A25_IN | - | vin2b_d6 |

Table 5-38. Manual Functions Mapping for VIN2B (IOSET2/11) (continued)

| BALL | BALL NAME | VIP_MANUAL10 | | VIP_MANUAL11 | | CFG REGISTER | MUXMODE | |
|------|-----------|--------------|--------------|--------------|--------------|------------------|------------|--------------|
| | | A_DELAY (ps) | G_DELAY (ps) | A_DELAY (ps) | G_DELAY (ps) | | 4 | 6 |
| A5 | gpmc_a26 | 1362 | 1094 | 1797 | 584 | CFG_GPMC_A26_IN | - | vin2b_d7 |
| B6 | gpmc_a27 | 1283 | 809 | 1760 | 338 | CFG_GPMC_A27_IN | - | vin2b_hsync1 |
| H2 | gpmc_ben0 | 1978 | 780 | 2327 | 389 | CFG_GPMC_BEN0_IN | - | vin2b_de1 |
| H6 | gpmc_ben1 | 0 | 0 | 0 | 0 | CFG_GPMC_BEN1_IN | vin2b_clk1 | - |
| A6 | gpmc_cs1 | 1411 | 982 | 1857 | 536 | CFG_GPMC_CS1_IN | - | vin2b_vsync1 |

Manual IO Timings Modes must be used to ensure some IO timings for VIP1. See [Table 5-30, Modes Summary](#) for a list of IO timings requiring the use of Manual IO Timings Modes. See [Table 5-39, Manual Functions Mapping for VIN1A \(IOSET8/9/10\)](#) for a definition of the Manual modes.

[Table 5-39](#) lists the A_DELAY and G_DELAY values needed to calculate the correct values to be set in the CFG_x registers.

Table 5-39. Manual Functions Mapping for VIN1A (IOSET8/9/10)

| BALL | BALL NAME | VIP_MANUAL15 | | VIP_MANUAL16 | | CFG REGISTER | MUXMODE | |
|------|--------------|--------------|--------------|--------------|--------------|---------------------|--------------|------------|
| | | A_DELAY (ps) | G_DELAY (ps) | A_DELAY (ps) | G_DELAY (ps) | | 7 | 9 |
| Y5 | gpio6_10 | 2131 | 2198 | 2170 | 2180 | CFG_GPIO6_10_IN | - | vin1a_clk0 |
| Y6 | gpio6_11 | 3720 | 2732 | 4106 | 2448 | CFG_GPIO6_11_IN | - | vin1a_de0 |
| C16 | mcasp1_aclkx | 2447 | 0 | 3042 | 0 | CFG_MCASP1_ACLKX_IN | vin1a_fid0 | - |
| D14 | mcasp1_axr0 | 3061 | 0 | 3380 | 292 | CFG_MCASP1_AXR0_IN | vin1a_vsync0 | - |
| B14 | mcasp1_axr1 | 3113 | 0 | 3396 | 304 | CFG_MCASP1_AXR1_IN | vin1a_hsync0 | - |
| B16 | mcasp1_axr10 | 2803 | 0 | 3362 | 0 | CFG_MCASP1_AXR10_IN | vin1a_d13 | - |
| B18 | mcasp1_axr11 | 3292 | 0 | 3357 | 546 | CFG_MCASP1_AXR11_IN | vin1a_d12 | - |
| A19 | mcasp1_axr12 | 2854 | 0 | 3145 | 320 | CFG_MCASP1_AXR12_IN | vin1a_d11 | - |
| E17 | mcasp1_axr13 | 2813 | 0 | 3229 | 196 | CFG_MCASP1_AXR13_IN | vin1a_d10 | - |
| E16 | mcasp1_axr14 | 2471 | 0 | 3053 | 0 | CFG_MCASP1_AXR14_IN | vin1a_d9 | - |
| F16 | mcasp1_axr15 | 2815 | 0 | 3225 | 201 | CFG_MCASP1_AXR15_IN | vin1a_d8 | - |
| A18 | mcasp1_axr8 | 2965 | 0 | 3427 | 83 | CFG_MCASP1_AXR8_IN | vin1a_d15 | - |
| B17 | mcasp1_axr9 | 3082 | 0 | 3253 | 440 | CFG_MCASP1_AXR9_IN | vin1a_d14 | - |
| C17 | mcasp1_fsx | 2898 | 0 | 3368 | 139 | CFG_MCASP1_FSX_IN | vin1a_de0 | - |
| E19 | mcasp2_aclkx | 2413 | 0 | 2972 | 0 | CFG_MCASP2_ACLKX_IN | vin1a_d7 | - |
| A21 | mcasp2_axr2 | 2478 | 0 | 3062 | 0 | CFG_MCASP2_AXR2_IN | vin1a_d5 | - |
| B21 | mcasp2_axr3 | 2806 | 0 | 3175 | 242 | CFG_MCASP2_AXR3_IN | vin1a_d4 | - |
| D19 | mcasp2_fsx | 2861 | 78 | 2936 | 599 | CFG_MCASP2_FSX_IN | vin1a_d6 | - |
| A22 | mcasp3_aclkx | 1583 | 0 | 1878 | 0 | CFG_MCASP3_ACLKX_IN | vin1a_d3 | - |

Table 5-39. Manual Functions Mapping for VIN1A (IOSET8/9/10) (continued)

| BALL | BALL NAME | VIP_MANUAL15 | | VIP_MANUAL16 | | CFG REGISTER | MUXMODE | |
|------|-------------|--------------|--------------|--------------|--------------|--------------------|------------|--------------|
| | | A_DELAY (ps) | G_DELAY (ps) | A_DELAY (ps) | G_DELAY (ps) | | 7 | 9 |
| B22 | mcasp3_axr0 | 2873 | 0 | 3109 | 375 | CFG_MCASP3_AXR0_IN | vin1a_d1 | - |
| B23 | mcasp3_axr1 | 1625 | 1400 | 2072 | 1023 | CFG_MCASP3_AXR1_IN | vin1a_d0 | - |
| A23 | mcasp3_fsx | 2792 | 0 | 3146 | 257 | CFG_MCASP3_FSX_IN | vin1a_d2 | - |
| Y2 | mmc3_clk | 3907 | 2744 | 4260 | 2450 | CFG_MMC3_CLK_IN | - | vin1a_d7 |
| Y1 | mmc3_cmd | 3892 | 2768 | 4242 | 2470 | CFG_MMC3_CMD_IN | - | vin1a_d6 |
| Y4 | mmc3_dat0 | 3786 | 2765 | 4156 | 2522 | CFG_MMC3_DAT0_IN | - | vin1a_d5 |
| AA2 | mmc3_dat1 | 3673 | 2961 | 4053 | 2667 | CFG_MMC3_DAT1_IN | - | vin1a_d4 |
| AA3 | mmc3_dat2 | 3818 | 2447 | 4209 | 2096 | CFG_MMC3_DAT2_IN | - | vin1a_d3 |
| W2 | mmc3_dat3 | 3902 | 2903 | 4259 | 2672 | CFG_MMC3_DAT3_IN | - | vin1a_d2 |
| Y3 | mmc3_dat4 | 3905 | 2622 | 4259 | 2342 | CFG_MMC3_DAT4_IN | - | vin1a_d1 |
| AA1 | mmc3_dat5 | 3807 | 2824 | 4167 | 2595 | CFG_MMC3_DAT5_IN | - | vin1a_d0 |
| AA4 | mmc3_dat6 | 3724 | 2818 | 4123 | 2491 | CFG_MMC3_DAT6_IN | - | vin1a_hsync0 |
| AB1 | mmc3_dat7 | 3775 | 2481 | 4159 | 2161 | CFG_MMC3_DAT7_IN | - | vin1a_vsync0 |
| J25 | xref_clk0 | 1971 | 0 | 2472 | 0 | CFG_XREF_CLK0_IN | vin1a_d0 | - |
| J24 | xref_clk1 | 0 | 192 | 0 | 603 | CFG_XREF_CLK1_IN | vin1a_clk0 | - |

5.10.6.4 DSS

Two Display Parallel Interfaces (DPI) channels are available in DSS named DPI Video Output 2 and DPI Video Output 3.

NOTE

The DPI Video Output i ($i = 2, 3$) interface is also referred to as VOUT i .

Every VOUT interface consists of:

- 24-bit data bus (data[23:0])
- Horizontal synchronization signal (HSYNC)
- Vertical synchronization signal (VSYNC)
- Data enable (DE)
- Field ID (FID)
- Pixel clock (CLK)

NOTE

For more information, see the Display Subsystem chapter of the Device TRM.

CAUTION

The I/O timings provided in this section are valid only if signals within a single IOSET are used. The IOSETs are defined in [Table 5-44](#).

CAUTION

The I/O Timings provided in this section are valid only for some DSS usage modes when the corresponding Virtual I/O Timings or Manual I/O Timings are configured as described in the tables found in this section.

CAUTION

All pads/balls configured as vout i _* signals must be programmed to use slow slew rate by setting the corresponding CTRL_CORE_PAD_*[SLEWCONTROL] register field to SLOW (0b1).

[Table 5-40](#), [Table 5-41](#) and [Figure 5-19](#) assume testing over the recommended operating conditions and electrical characteristic conditions.

Table 5-40. DPI Video Output i ($i = 2, 3$) Default Switching Characteristics⁽¹⁾⁽²⁾

| NO. | PARAMETER | DESCRIPTION | MODE | MIN | MAX | UNIT |
|-----|----------------------|---|--------|-----------------------------------|-----|------|
| D1 | $t_{c(\text{clk})}$ | Cycle time, output pixel clock vout i _clk | DPI2/3 | 11.76 | | ns |
| D2 | $t_{w(\text{clkL})}$ | Pulse duration, output pixel clock vout i _clk low | | $P \times 0.5 - 1$ ⁽¹⁾ | | ns |
| D3 | $t_{w(\text{clkH})}$ | Pulse duration, output pixel clock vout i _clk high | | $P \times 0.5 - 1$ ⁽¹⁾ | | ns |

Table 5-40. DPI Video Output i (i = 2, 3) Default Switching Characteristics⁽¹⁾⁽²⁾ (continued)

| NO. | PARAMETER | DESCRIPTION | MODE | MIN | MAX | UNIT |
|-----|--------------------------|---|-----------------------------------|------|-----|------|
| D5 | $t_{d(\text{clk-ctlV})}$ | Delay time, output pixel clock vouti_clk transition to output data vouti_d[23:0] valid | DPI2 (vin2a_fld0 clock reference) | -2.5 | 2.5 | ns |
| D6 | $t_{d(\text{clk-dV})}$ | Delay time, output pixel clock vouti_clk transition to output control signals vouti_vsync, vouti_hsync, vouti_de, and vouti_fld valid | DPI2 (vin2a_fld0 clock reference) | -2.5 | 2.5 | ns |
| D5 | $t_{d(\text{clk-ctlV})}$ | Delay time, output pixel clock vouti_clk transition to output data vouti_d[23:0] valid | DPI3 | -2.5 | 2.5 | ns |
| D6 | $t_{d(\text{clk-dV})}$ | Delay time, output pixel clock vouti_clk transition to output control signals vouti_vsync, vouti_hsync, vouti_de, and vouti_fld valid | DPI3 | -2.5 | 2.5 | ns |

(1) P = output vouti_clk period in ns.

(2) All pads/balls configured as vouti_* signals must be programmed to use slow slew rate by setting the corresponding CTRL_CORE_PAD_*[SLEWCONTROL] register field to SLOW (0b1).

(3) SERDES transceivers may be sensitive to the jitter profile of vouti_clk. See Application Note [Optimizing DRA7xx and TDA2xx Processors for Use With Video Display SerDes](#) for additional guidance.

Table 5-41. DPI Video Output i (i = 2, 3) Alternate Switching Characteristics⁽²⁾

| NO. | PARAMETER | DESCRIPTION | MODE | MIN | MAX | UNIT |
|-----|--------------------------|---|-----------------------------------|-----------------------------------|------|------|
| D1 | $t_{c(\text{clk})}$ | Cycle time, output pixel clock vouti_clk | DPI2/3 | 6.06 | | ns |
| D2 | $t_{w(\text{clkL})}$ | Pulse duration, output pixel clock vouti_clk low | | $P \times 0.5 - 1$ ⁽¹⁾ | | ns |
| D3 | $t_{w(\text{clkH})}$ | Pulse duration, output pixel clock vouti_clk high | | $P \times 0.5 - 1$ ⁽¹⁾ | | ns |
| D5 | $t_{d(\text{clk-ctlV})}$ | Delay time, output pixel clock vouti_clk transition to output data vouti_d[23:0] valid | DPI2 (vin2a_fld0 clock reference) | 1.51 | 4.55 | ns |
| D6 | $t_{d(\text{clk-dV})}$ | Delay time, output pixel clock vouti_clk transition to output control signals vouti_vsync, vouti_hsync, vouti_de, and vouti_fld valid | DPI2 (vin2a_fld0 clock reference) | 1.51 | 4.55 | ns |
| D5 | $t_{d(\text{clk-ctlV})}$ | Delay time, output pixel clock vouti_clk transition to output data vouti_d[23:0] valid | DPI3 | 1.51 | 4.55 | ns |
| D6 | $t_{d(\text{clk-dV})}$ | Delay time, output pixel clock vouti_clk transition to output control signals vouti_vsync, vouti_hsync, vouti_de, and vouti_fld valid | DPI3 | 1.51 | 4.55 | ns |

(1) P = output vouti_clk period in ns.

(2) All pads/balls configured as vouti_* signals must be programmed to use slow slew rate by setting the corresponding CTRL_CORE_PAD_*[SLEWCONTROL] register field to SLOW (0b1).

(3) SERDES transceivers may be sensitive to the jitter profile of vouti_clk. See Application Note [Optimizing DRA7xx and TDA2xx Processors for Use With Video Display SerDes](#) for additional guidance.

Table 5-42. DPI Video Output i (i = 2, 3) MANUAL4 Switching Characteristics⁽²⁾

| NO. | PARAMETER | DESCRIPTION | MODE | MIN | MAX | UNIT |
|-----|--------------------------|---|-----------------------------------|-----------------------------------|------|------|
| D1 | $t_{c(\text{clk})}$ | Cycle time, output pixel clock vouti_clk | DPI2/3 | 6.06 ⁽³⁾ | | ns |
| D2 | $t_{w(\text{clkL})}$ | Pulse duration, output pixel clock vouti_clk low | | $P \times 0.5 - 1$ ⁽¹⁾ | | ns |
| D3 | $t_{w(\text{clkH})}$ | Pulse duration, output pixel clock vouti_clk high | | $P \times 0.5 - 1$ ⁽¹⁾ | | ns |
| D5 | $t_{d(\text{clk-ctlV})}$ | Delay time, output pixel clock vouti_clk transition to output data vouti_d[23:0] valid | DPI1 | 2.85 | 5.56 | ns |
| D6 | $t_{d(\text{clk-dV})}$ | Delay time, output pixel clock vouti_clk transition to output control signals vouti_vsync, vouti_hsync, vouti_de, and vouti_fld valid | DPI1 | 2.85 | 5.56 | ns |
| D5 | $t_{d(\text{clk-ctlV})}$ | Delay time, output pixel clock vouti_clk transition to output data vouti_d[23:0] valid | DPI2 (vin2a_fld0 clock reference) | 2.85 | 5.56 | ns |

Table 5-42. DPI Video Output i (i = 2, 3) MANUAL4 Switching Characteristics ⁽²⁾ (continued)

| NO. | PARAMETER | DESCRIPTION | MODE | MIN | MAX | UNIT |
|-----|--------------------------|---|-----------------------------------|------|------|------|
| D6 | $t_{d(\text{clk-dV})}$ | Delay time, output pixel clock vouti_clk transition to output control signals vouti_vsync, vouti_hsync, vouti_de, and vouti_fld valid | DPI2 (vin2a_fld0 clock reference) | 2.85 | 5.56 | ns |
| D5 | $t_{d(\text{clk-ctlV})}$ | Delay time, output pixel clock vouti_clk transition to output data vouti_d[23:0] valid | DPI2 (xref_clk2 clock reference) | 2.85 | 5.56 | ns |
| D6 | $t_{d(\text{clk-dV})}$ | Delay time, output pixel clock vouti_clk transition to output control signals vouti_vsync, vouti_hsync, vouti_de, and vouti_fld valid | DPI2 (xref_clk2 clock reference) | 2.85 | 5.56 | ns |
| D5 | $t_{d(\text{clk-ctlV})}$ | Delay time, output pixel clock vouti_clk transition to output data vouti_d[23:0] valid | DPI3 | 2.85 | 5.56 | ns |
| D6 | $t_{d(\text{clk-dV})}$ | Delay time, output pixel clock vouti_clk transition to output control signals vouti_vsync, vouti_hsync, vouti_de, and vouti_fld valid | DPI3 | 2.85 | 5.56 | ns |

(1) P = output vouti_clk period in ns.

(2) All pads/balls configured as vouti_* signals must be programmed to use slow slew rate by setting the corresponding CTRL_CORE_PAD_*[SLEWCONTROL] register field to SLOW (0b1).

(3) SERDES transceivers may be sensitive to the jitter profile of vouti_clk. See Application Note [Optimizing DRA7xx and TDA2xx Processors for Use With Video Display SerDes](#) for additional guidance.

Table 5-43. DPI Video Output i (i = 2, 3) MANUAL5 Switching Characteristics ⁽²⁾

| NO. | PARAMETER | DESCRIPTION | MODE | MIN | MAX | UNIT |
|-----|--------------------------|---|-----------------------------------|------------------------|------|------|
| D1 | $t_{c(\text{clk})}$ | Cycle time, output pixel clock vouti_clk | DPI2/3 | 6.06 ⁽³⁾ | | ns |
| D2 | $t_{w(\text{clkL})}$ | Pulse duration, output pixel clock vouti_clk low | | P*0.5-1 ⁽¹⁾ | | ns |
| D3 | $t_{w(\text{clkH})}$ | Pulse duration, output pixel clock vouti_clk high | | P*0.5-1 ⁽¹⁾ | | ns |
| D5 | $t_{d(\text{clk-ctlV})}$ | Delay time, output pixel clock vouti_clk transition to output data vouti_d[23:0] valid | DPI1 | 3.55 | 6.61 | ns |
| D6 | $t_{d(\text{clk-dV})}$ | Delay time, output pixel clock vouti_clk transition to output control signals vouti_vsync, vouti_hsync, vouti_de, and vouti_fld valid | DPI1 | 3.55 | 6.61 | ns |
| D5 | $t_{d(\text{clk-ctlV})}$ | Delay time, output pixel clock vouti_clk transition to output data vouti_d[23:0] valid | DPI2 (vin2a_fld0 clock reference) | 3.55 | 6.61 | ns |
| D6 | $t_{d(\text{clk-dV})}$ | Delay time, output pixel clock vouti_clk transition to output control signals vouti_vsync, vouti_hsync, vouti_de, and vouti_fld valid | DPI2 (vin2a_fld0 clock reference) | 3.55 | 6.61 | ns |
| D5 | $t_{d(\text{clk-ctlV})}$ | Delay time, output pixel clock vouti_clk transition to output data vouti_d[23:0] valid | DPI2 (xref_clk2 clock reference) | 3.55 | 6.61 | ns |
| D6 | $t_{d(\text{clk-dV})}$ | Delay time, output pixel clock vouti_clk transition to output control signals vouti_vsync, vouti_hsync, vouti_de, and vouti_fld valid | DPI2 (xref_clk2 clock reference) | 3.55 | 6.61 | ns |
| D5 | $t_{d(\text{clk-ctlV})}$ | Delay time, output pixel clock vouti_clk transition to output data vouti_d[23:0] valid | DPI3 | 3.55 | 6.61 | ns |
| D6 | $t_{d(\text{clk-dV})}$ | Delay time, output pixel clock vouti_clk transition to output control signals vouti_vsync, vouti_hsync, vouti_de, and vouti_fld valid | DPI3 | 3.55 | 6.61 | ns |

- (1) P = output vouti_clk period in ns.
- (2) All pads/balls configured as vouti_* signals must be programmed to use slow slew rate by setting the corresponding CTRL_CORE_PAD_*[SLEWCONTROL] register field to SLOW (0b1).
- (3) SERDES transceivers may be sensitive to the jitter profile of vouti_clk. See Application Note [Optimizing DRA7xx and TDA2xx Processors for Use With Video Display SerDes](#) for additional guidance.

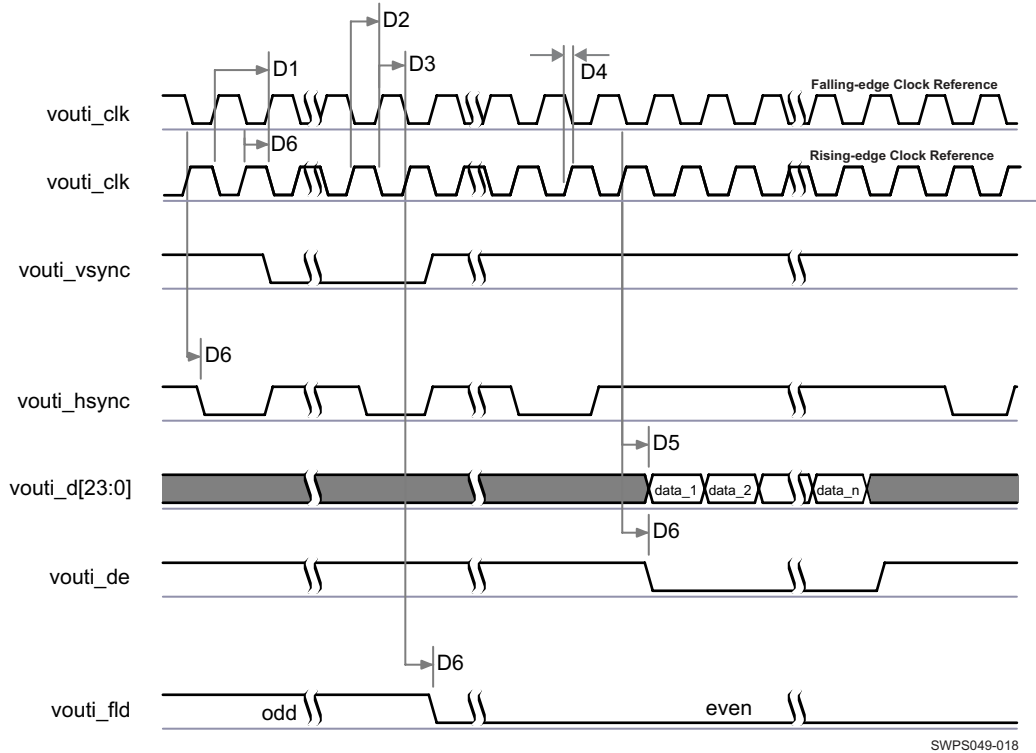


Figure 5-19. DPI Video Output⁽¹⁾⁽²⁾⁽³⁾

- (1) The configuration of assertion of the data can be programmed on the falling or rising edge of the pixel clock.
- (2) The polarity and the pulse width of vouti_hsync and vouti_vsync are programmable, refer to the DSS section of the Device TRM.
- (3) The vouti_clk frequency can be configured, refer to the DSS section of the Device TRM.

In [Table 5-44](#) are presented the specific groupings of signals (IOSET) for use with VOUT2.

Table 5-44. VOUT2 IOSETs

| SIGNALS | IOSET1 | |
|-----------|--------|-----|
| | BALL | MUX |
| vout2_d23 | C8 | 4 |
| vout2_d22 | B9 | 4 |
| vout2_d21 | A7 | 4 |
| vout2_d20 | A9 | 4 |
| vout2_d19 | A8 | 4 |
| vout2_d18 | A11 | 4 |
| vout2_d17 | F10 | 4 |
| vout2_d16 | A10 | 4 |
| vout2_d15 | B10 | 4 |
| vout2_d14 | E10 | 4 |
| vout2_d13 | D10 | 4 |
| vout2_d12 | C10 | 4 |
| vout2_d11 | B11 | 4 |

Table 5-44. VOUT2 IOSETs (continued)

| SIGNALS | IOSET1 | |
|-------------|--------|-----|
| | BALL | MUX |
| vout2_d10 | D11 | 4 |
| vout2_d9 | C11 | 4 |
| vout2_d8 | B12 | 4 |
| vout2_d7 | A12 | 4 |
| vout2_d6 | A13 | 4 |
| vout2_d5 | E11 | 4 |
| vout2_d4 | F11 | 4 |
| vout2_d3 | B13 | 4 |
| vout2_d2 | E13 | 4 |
| vout2_d1 | C13 | 4 |
| vout2_d0 | D13 | 4 |
| vout2_vsync | B8 | 4 |
| vout2_hsync | E8 | 4 |
| vout2_clk | C7 | 4 |
| vout2_fld | D8 | 4 |
| vout2_de | B7 | 4 |

In are presented the specific groupings of signals (IOSET) for use with VOUT3.

NOTE

To configure the desired virtual mode the user must set MODESELECT bit and DELAYMODE bitfield for each corresponding pad control register.

The pad control registers are presented in [Table 4-31](#) and described in Device TRM, *Control Module Chapter*.

Virtual IO Timings Modes must be used to ensure some IO timings for VOUT3. See [Table 5-30](#), *Modes Summary* for a list of IO timings requiring the use of Virtual IO Timings Modes. See [Table 5-45](#), *Virtual Functions Mapping for VOUT3* for a definition of the Virtual modes.

[Table 5-45](#) presents the values for DELAYMODE bitfield.

Table 5-45. Virtual Functions Mapping for DSS VOUT3

| BALL | BALL NAME | Delay Mode Value | MUXMODE |
|------|-----------|------------------|-------------|
| | | DSS_VIRTUAL1 | 3 |
| B4 | gpmc_ad15 | 14 | vout3_d15 |
| K4 | gpmc_a8 | 15 | vout3_hsync |
| D1 | gpmc_ad4 | 14 | vout3_d4 |
| F1 | gpmc_ad0 | 14 | vout3_d0 |
| C4 | gpmc_ad13 | 14 | vout3_d13 |
| L2 | gpmc_a2 | 15 | vout3_d18 |
| E2 | gpmc_ad1 | 14 | vout3_d1 |
| K3 | gpmc_a4 | 15 | vout3_d20 |
| J1 | gpmc_a6 | 15 | vout3_d22 |
| A3 | gpmc_ad14 | 14 | vout3_d14 |
| M2 | gpmc_a1 | 15 | vout3_d17 |
| G3 | gpmc_cs3 | 15 | vout3_clk |
| H1 | gpmc_a9 | 15 | vout3_vsync |

Table 5-45. Virtual Functions Mapping for DSS VOUT3 (continued)

| BALL | BALL NAME | Delay Mode Value | MUXMODE |
|------|-----------|------------------|-----------|
| | | DSS_VIRTUAL1 | 3 |
| B3 | gpmc_ad11 | 14 | vout3_d11 |
| B1 | gpmc_ad6 | 14 | vout3_d6 |
| E1 | gpmc_ad2 | 14 | vout3_d2 |
| C1 | gpmc_ad3 | 14 | vout3_d3 |
| K1 | gpmc_a7 | 15 | vout3_d23 |
| L1 | gpmc_a3 | 15 | vout3_d19 |
| A2 | gpmc_ad10 | 14 | vout3_d10 |
| B2 | gpmc_ad7 | 14 | vout3_d7 |
| J2 | gpmc_a10 | 15 | vout3_de |
| K2 | gpmc_a5 | 15 | vout3_d21 |
| C2 | gpmc_ad8 | 14 | vout3_d8 |
| D2 | gpmc_ad5 | 14 | vout3_d5 |
| M1 | gpmc_a0 | 15 | vout3_d16 |
| C3 | gpmc_ad12 | 14 | vout3_d12 |
| L3 | gpmc_a11 | 15 | vout3_fld |
| D3 | gpmc_ad9 | 14 | vout3_d9 |

NOTE

To configure the desired Manual IO Timing Mode the user must follow the steps described in section "*Manual IO Timing Modes*" of the Device TRM.

The associated registers to configure are listed in the **CFG REGISTER** column. For more information please see the *Control Module Chapter* in the Device TRM.

Manual IO Timings Modes must be used to ensure some IO timings for VOUT2. See [Table 5-30, Modes Summary](#) for a list of IO timings requiring the use of Manual IO Timings Modes. See [Table 5-46, Manual Functions Mapping for DSS VOUT2 IOSET1](#) for a definition of the Manual modes.

[Table 5-46](#) lists the A_DELAY and G_DELAY values needed to calculate the correct values to be set in the CFG_x registers.

Table 5-46. Manual Functions Mapping for DSS VOUT2 IOSET1

| BALL | BALL NAME | VOUT2_IOSET1_MANUAL1 | | VOUT2_IOSET1_MANUAL2 | | VOUT2_IOSET1_MANUAL3 | | VOUT2_IOSET1_MANUAL4 | | VOUT2_IOSET1_MANUAL5 | | CFG REGISTER | MUXMODE |
|------|--------------|----------------------|--------------|----------------------|--------------|----------------------|--------------|----------------------|--------------|----------------------|--------------|----------------------|-------------|
| | | A_DELAY (ps) | G_DELAY (ps) | A_DELAY (ps) | G_DELAY (ps) | A_DELAY (ps) | G_DELAY (ps) | A_DELAY (ps) | G_DELAY (ps) | A_DELAY (ps) | G_DELAY (ps) | | 4 |
| D8 | vin2a_clk0 | 2571 | 0 | 1059 | 0 | 1025 | 0 | 4110 | 0 | 4980 | 0 | CFG_VIN2A_CLK0_OUT | vout2_fld |
| C8 | vin2a_d0 | 2124 | 0 | 589 | 0 | 577 | 0 | 3613 | 0 | 4483 | 0 | CFG_VIN2A_D0_OUT | vout2_d23 |
| B9 | vin2a_d1 | 2103 | 0 | 568 | 0 | 557 | 0 | 3442 | 0 | 4312 | 0 | CFG_VIN2A_D1_OUT | vout2_d22 |
| D10 | vin2a_d10 | 2091 | 0 | 557 | 0 | 545 | 0 | 3430 | 0 | 4200 | 0 | CFG_VIN2A_D10_OUT | vout2_d13 |
| C10 | vin2a_d11 | 2142 | 0 | 608 | 0 | 596 | 0 | 3481 | 0 | 4251 | 0 | CFG_VIN2A_D11_OUT | vout2_d12 |
| B11 | vin2a_d12 | 2920 | 385 | 1816 | 255 | 1783 | 276 | 3943 | 601 | 4713 | 601 | CFG_VIN2A_D12_OUT | vout2_d11 |
| D11 | vin2a_d13 | 2776 | 322 | 1872 | 192 | 1838 | 213 | 3799 | 538 | 4669 | 538 | CFG_VIN2A_D13_OUT | vout2_d10 |
| C11 | vin2a_d14 | 2904 | 0 | 1769 | 0 | 1757 | 0 | 3869 | 174 | 4739 | 174 | CFG_VIN2A_D14_OUT | vout2_d9 |
| B12 | vin2a_d15 | 2670 | 257 | 1665 | 127 | 1632 | 148 | 3792 | 473 | 4662 | 473 | CFG_VIN2A_D15_OUT | vout2_d8 |
| A12 | vin2a_d16 | 2814 | 155 | 1908 | 31 | 1878 | 43 | 3837 | 371 | 4707 | 371 | CFG_VIN2A_D16_OUT | vout2_d7 |
| A13 | vin2a_d17 | 3002 | 199 | 1897 | 69 | 1865 | 89 | 4024 | 415 | 4894 | 415 | CFG_VIN2A_D17_OUT | vout2_d6 |
| E11 | vin2a_d18 | 1893 | 0 | 358 | 0 | 347 | 0 | 3432 | 0 | 4302 | 0 | CFG_VIN2A_D18_OUT | vout2_d5 |
| F11 | vin2a_d19 | 1698 | 0 | 163 | 0 | 151 | 0 | 3237 | 0 | 4007 | 0 | CFG_VIN2A_D19_OUT | vout2_d4 |
| A7 | vin2a_d2 | 2193 | 0 | 658 | 0 | 646 | 0 | 3531 | 0 | 4401 | 0 | CFG_VIN2A_D2_OUT | vout2_d21 |
| B13 | vin2a_d20 | 1736 | 0 | 202 | 0 | 190 | 0 | 3075 | 0 | 3945 | 0 | CFG_VIN2A_D20_OUT | vout2_d3 |
| E13 | vin2a_d21 | 1636 | 0 | 101 | 0 | 89 | 0 | 3074 | 0 | 3944 | 0 | CFG_VIN2A_D21_OUT | vout2_d2 |
| C13 | vin2a_d22 | 1628 | 0 | 93 | 0 | 81 | 0 | 3266 | 0 | 4036 | 0 | CFG_VIN2A_D22_OUT | vout2_d1 |
| D13 | vin2a_d23 | 1538 | 0 | 0 | 0 | 0 | 0 | 2968 | 0 | 3838 | 0 | CFG_VIN2A_D23_OUT | vout2_d0 |
| A9 | vin2a_d3 | 1997 | 0 | 462 | 0 | 450 | 0 | 3335 | 0 | 4205 | 0 | CFG_VIN2A_D3_OUT | vout2_d20 |
| A8 | vin2a_d4 | 2528 | 0 | 993 | 0 | 982 | 0 | 3867 | 0 | 4537 | 0 | CFG_VIN2A_D4_OUT | vout2_d19 |
| A11 | vin2a_d5 | 2038 | 0 | 503 | 0 | 492 | 0 | 3577 | 0 | 4347 | 0 | CFG_VIN2A_D5_OUT | vout2_d18 |
| F10 | vin2a_d6 | 1746 | 0 | 211 | 0 | 200 | 0 | 3285 | 0 | 4055 | 0 | CFG_VIN2A_D6_OUT | vout2_d17 |
| A10 | vin2a_d7 | 2213 | 0 | 678 | 0 | 666 | 0 | 3552 | 0 | 4272 | 0 | CFG_VIN2A_D7_OUT | vout2_d16 |
| B10 | vin2a_d8 | 2268 | 0 | 733 | 0 | 721 | 0 | 3607 | 0 | 4277 | 0 | CFG_VIN2A_D8_OUT | vout2_d15 |
| E10 | vin2a_d9 | 2170 | 0 | 635 | 0 | 623 | 0 | 3509 | 0 | 4379 | 0 | CFG_VIN2A_D9_OUT | vout2_d14 |
| B7 | vin2a_de0 | 2102 | 0 | 568 | 0 | 556 | 0 | 3841 | 0 | 4611 | 0 | CFG_VIN2A_DE0_OUT | vout2_de |
| C7 | vin2a_fld0 | 0 | 983 | 1398 | 1185 | 1385 | 1202 | 0 | 994 | 0 | 994 | CFG_VIN2A_FLD0_OUT | vout2_clk |
| E8 | vin2a_hsync0 | 2482 | 0 | 974 | 0 | 936 | 0 | 4021 | 0 | 4891 | 0 | CFG_VIN2A_HSYNC0_OUT | vout2_hsync |
| B8 | vin2a_vsync0 | 2296 | 0 | 784 | 0 | 750 | 0 | 3935 | 0 | 4805 | 0 | CFG_VIN2A_VSYNC0_OUT | vout2_vsync |

Manual IO Timings Modes must be used to ensure some IO timings for VOUT3. See [Table 5-30, Modes Summary](#) for a list of IO timings requiring the use of Manual IO Timings Modes. See [Table 5-47, Manual Functions Mapping for DSS VOUT3](#) for a definition of the Manual modes.

[Table 5-47](#) lists the A_DELAY and G_DELAY values needed to calculate the correct values to be set in the CFG_x registers.

Table 5-47. Manual Functions Mapping for DSS VOUT3

| BALL | BALL NAME | VOUT3_MANUAL1 | | VOUT3_MANUAL4 | | VOUT3_MANUAL5 | | CFG REGISTER | MUXMODE |
|------|-----------|---------------|--------------|---------------|--------------|---------------|--------------|-------------------|-------------|
| | | A_DELAY (ps) | G_DELAY (ps) | A_DELAY (ps) | G_DELAY (ps) | A_DELAY (ps) | G_DELAY (ps) | | 3 |
| M1 | gpmc_a0 | 2395 | 0 | 3909 | 0 | 4779 | 0 | CFG_GPMC_A0_OUT | vout3_d16 |
| M2 | gpmc_a1 | 2412 | 0 | 3957 | 0 | 4827 | 0 | CFG_GPMC_A1_OUT | vout3_d17 |
| J2 | gpmc_a10 | 2473 | 0 | 3980 | 0 | 4850 | 0 | CFG_GPMC_A10_OUT | vout3_de |
| L3 | gpmc_a11 | 2906 | 0 | 4253 | 0 | 5123 | 0 | CFG_GPMC_A11_OUT | vout3 fld |
| L2 | gpmc_a2 | 2360 | 0 | 3873 | 0 | 4743 | 0 | CFG_GPMC_A2_OUT | vout3_d18 |
| L1 | gpmc_a3 | 2391 | 0 | 4112 | 0 | 4982 | 0 | CFG_GPMC_A3_OUT | vout3_d19 |
| K3 | gpmc_a4 | 2626 | 0 | 4336 | 0 | 5206 | 0 | CFG_GPMC_A4_OUT | vout3_d20 |
| K2 | gpmc_a5 | 2338 | 0 | 3840 | 0 | 4710 | 0 | CFG_GPMC_A5_OUT | vout3_d21 |
| J1 | gpmc_a6 | 2374 | 0 | 3913 | 0 | 4783 | 0 | CFG_GPMC_A6_OUT | vout3_d22 |
| K1 | gpmc_a7 | 2432 | 0 | 3947 | 0 | 4817 | 0 | CFG_GPMC_A7_OUT | vout3_d23 |
| K4 | gpmc_a8 | 3155 | 0 | 4309 | 105 | 5179 | 105 | CFG_GPMC_A8_OUT | vout3_hsync |
| H1 | gpmc_a9 | 2309 | 0 | 3842 | 0 | 4712 | 0 | CFG_GPMC_A9_OUT | vout3_vsync |
| F1 | gpmc_ad0 | 2360 | 0 | 3652 | 0 | 4522 | 0 | CFG_GPMC_AD0_OUT | vout3_d0 |
| E2 | gpmc_ad1 | 2420 | 0 | 3762 | 0 | 4632 | 0 | CFG_GPMC_AD1_OUT | vout3_d1 |
| A2 | gpmc_ad10 | 2235 | 0 | 3456 | 0 | 4326 | 0 | CFG_GPMC_AD10_OUT | vout3_d10 |
| B3 | gpmc_ad11 | 2253 | 0 | 3584 | 0 | 4454 | 0 | CFG_GPMC_AD11_OUT | vout3_d11 |
| C3 | gpmc_ad12 | 1949 | 427 | 3589 | 0 | 4459 | 0 | CFG_GPMC_AD12_OUT | vout3_d12 |
| C4 | gpmc_ad13 | 2318 | 0 | 3547 | 0 | 4417 | 0 | CFG_GPMC_AD13_OUT | vout3_d13 |
| A3 | gpmc_ad14 | 2123 | 0 | 3302 | 0 | 4172 | 0 | CFG_GPMC_AD14_OUT | vout3_d14 |
| B4 | gpmc_ad15 | 2195 | 29 | 3532 | 0 | 4402 | 0 | CFG_GPMC_AD15_OUT | vout3_d15 |
| E1 | gpmc_ad2 | 2617 | 0 | 3859 | 0 | 4729 | 0 | CFG_GPMC_AD2_OUT | vout3_d2 |
| C1 | gpmc_ad3 | 2350 | 0 | 3590 | 0 | 4460 | 0 | CFG_GPMC_AD3_OUT | vout3_d3 |
| D1 | gpmc_ad4 | 2324 | 0 | 3534 | 0 | 4404 | 0 | CFG_GPMC_AD4_OUT | vout3_d4 |
| D2 | gpmc_ad5 | 2371 | 0 | 3609 | 0 | 4479 | 0 | CFG_GPMC_AD5_OUT | vout3_d5 |
| B1 | gpmc_ad6 | 2231 | 0 | 3416 | 0 | 4286 | 0 | CFG_GPMC_AD6_OUT | vout3_d6 |
| B2 | gpmc_ad7 | 2440 | 0 | 3661 | 0 | 4531 | 0 | CFG_GPMC_AD7_OUT | vout3_d7 |
| C2 | gpmc_ad8 | 2479 | 0 | 3714 | 0 | 4584 | 0 | CFG_GPMC_AD8_OUT | vout3_d8 |
| D3 | gpmc_ad9 | 2355 | 0 | 3593 | 0 | 4463 | 0 | CFG_GPMC_AD9_OUT | vout3_d9 |
| G3 | gpmc_cs3 | 0 | 641 | 0 | 905 | 0 | 905 | CFG_GPMC_CS3_OUT | vout3_clk |

5.10.6.5 HDMI

The High-Definition Multimedia Interface is provided for transmitting digital television audiovisual signals from DVD players, set-top boxes and other audiovisual sources to television sets, projectors and other video displays. The HDMI interface is aligned with the HDMI TMDS single stream standard v1.4a (720p @60Hz to 1080p @24Hz) and the HDMI v1.3 (1080p @60Hz): 3 data channels, plus 1 clock channel is supported (differential).

NOTE

For more information, see the High-Definition Multimedia Interface chapter of the Device TRM.

5.10.6.6 CSI2

NOTE

For more information, see the Camera Serial Interface 2 CAL Bridge chapter of the Device TRM.

The camera adaptation layer (CAL) deals with the processing of the pixel data coming from an external image sensor, data from memory. The CAL is a key component for the following multimedia applications: camera viewfinder, video record, and still image capture. The CAL has two serial camera interfaces (primary and secondary):

- The primary serial interface (CSI2 Port A) is compliant with MIPI CSI-2 protocol with data lanes.

5.10.6.6.1 CSI-2 MIPI D-PHY

The CSI-2 port A is compliant with the MIPI D-PHY RX specification v1.00.00 and the MIPI CSI-2 specification v1.00, with 2 data differential lanes plus 1 clock differential lane in synchronous mode, double data rate:

- 1.5 Gbps (750 MHz) @OPP_NOM for each lane.

5.10.6.7 EMIF

The device has a dedicated interface to DDR3 and DDR3L SDRAM. It supports JEDEC standard compliant DDR3 and DDR3L SDRAM devices with the following features:

- 16-bit or 32-bit data path to external SDRAM memory
- Memory device capacity: 128Mb, 256Mb, 512Mb, 1Gb, 2Gb, 4Gb and 8Gb devices
- One interface with associated DDR3/DDR3L PHYs

NOTE

For more information, see the EMIF Controller section of the Device TRM.

5.10.6.8 GPMC

The GPMC is the unified memory controller that interfaces external memory devices such as:

- Asynchronous SRAM-like memories and ASIC devices
- Asynchronous page mode and synchronous burst NOR flash
- NAND flash

NOTE

For more information, see the General-Purpose Memory Controller section of the Device TRM.

5.10.6.8.1 GPMC/NOR Flash Interface Synchronous Timing

CAUTION

The I/O Timings provided in this section are valid only for some GPMC usage modes when the corresponding Virtual I/O Timings or Manual I/O Timings are configured as described in the tables found in this section.

Table 5-48 and Table 5-49 assume testing over the recommended operating conditions and electrical characteristic conditions below (see Figure 5-20, Figure 5-21, Figure 5-22, Figure 5-23, Figure 5-24 and Figure 5-25).

Table 5-48. GPMC/NOR Flash Interface Timing Requirements - Synchronous Mode - Default

| NO. | PARAMETER | DESCRIPTION | MIN | MAX | UNIT |
|-----|----------------------|---|-----|-----|------|
| F12 | $t_{su(dV-clkH)}$ | Setup time, read gpmc_ad[15:0] valid before gpmc_clk high | 3 | | ns |
| F13 | $t_{h(clkH-dV)}$ | Hold time, read gpmc_ad[15:0] valid after gpmc_clk high | 1.1 | | ns |
| F21 | $t_{su(waitV-clkH)}$ | Setup time, gpmc_wait[1:0] valid before gpmc_clk high | 2.5 | | ns |
| F22 | $t_{h(clkH-waitV)}$ | Hold Time, gpmc_wait[1:0] valid after gpmc_clk high | 1.3 | | ns |

NOTE

Wait monitoring support is limited to a WaitMonitoringTime value > 0. For a full description of wait monitoring feature, see the Device TRM.

Table 5-49. GPMC/NOR Flash Interface Switching Characteristics - Synchronous Mode - Default

| NO. | PARAMETER | DESCRIPTION | MIN | MAX | UNIT |
|-----|---------------------------|---|-----------------------|-----------------------|------|
| F0 | $t_c(\text{clk})$ | Cycle time, output clock gpmc_clk period | 11.3 | | ns |
| F2 | $t_d(\text{clkH-nCSV})$ | Delay time, gpmc_clk rising edge to gpmc_cs[7:0] transition | F-1.7 ⁽⁷⁾ | F+4.3 ⁽⁷⁾ | ns |
| F3 | $t_d(\text{clkH-nCSIV})$ | Delay time, gpmc_clk rising edge to gpmc_cs[7:0] invalid | E-1.7 ⁽⁶⁾ | E+4.2 ⁽⁶⁾ | ns |
| F4 | $t_d(\text{ADDV-clk})$ | Delay time, gpmc_a[27:0] address bus valid to gpmc_clk first edge | B-1.8 ⁽³⁾ | B+4.3 ⁽³⁾ | ns |
| F5 | $t_d(\text{clkH-ADDIV})$ | Delay time, gpmc_clk rising edge to gpmc_a[27:0] gpmc address bus invalid | -1.8 | | ns |
| F6 | $t_d(\text{nBEV-clk})$ | Delay time, gpmc_ben[1:0] valid to gpmc_clk rising edge | B-4.3 ⁽³⁾ | B+1.5 ⁽³⁾ | ns |
| F7 | $t_d(\text{clkH-nBEIV})$ | Delay time, gpmc_clk rising edge to gpmc_ben[1:0] invalid | D-1.5 ⁽⁵⁾ | D+4.3 ⁽⁵⁾ | ns |
| F8 | $t_d(\text{clkH-nADV})$ | Delay time, gpmc_clk rising edge to gpmc_advn_ale transition | G-1.3 ⁽⁸⁾ | G+4.2 ⁽⁸⁾ | ns |
| F9 | $t_d(\text{clkH-nADVIV})$ | Delay time, gpmc_clk rising edge to gpmc_advn_ale invalid | D-1.3 ⁽⁵⁾ | G+4.2 ⁽⁵⁾ | ns |
| F10 | $t_d(\text{clkH-nOE})$ | Delay time, gpmc_clk rising edge to gpmc_oen_ren transition | H-1.0 ⁽⁹⁾ | H+3.2 ⁽⁹⁾ | ns |
| F11 | $t_d(\text{clkH-nOEIV})$ | Delay time, gpmc_clk rising edge to gpmc_oen_ren invalid | E-1.0 ⁽⁶⁾ | E+3.2 ⁽⁶⁾ | ns |
| F14 | $t_d(\text{clkH-nWE})$ | Delay time, gpmc_clk rising edge to gpmc_wen transition | I-0.9 ⁽¹⁰⁾ | I+4.2 ⁽¹⁰⁾ | ns |
| F15 | $t_d(\text{clkH-Data})$ | Delay time, gpmc_clk rising edge to gpmc_ad[15:0] data bus transition | J-2.1 ⁽¹¹⁾ | J+4.6 ⁽¹¹⁾ | ns |
| F17 | $t_d(\text{clkH-nBE})$ | Delay time, gpmc_clk rising edge to gpmc_ben[1:0] transition | J-1.5 ⁽¹¹⁾ | J+4.3 ⁽¹¹⁾ | ns |
| F18 | $t_w(\text{nCSV})$ | Pulse duration, gpmc_cs[7:0] low | A ⁽²⁾ | | ns |
| F19 | $t_w(\text{nBEV})$ | Pulse duration, gpmc_ben[1:0] low | C ⁽⁴⁾ | | ns |
| F20 | $t_w(\text{nADV})$ | Pulse duration, gpmc_advn_ale low | K ⁽¹²⁾ | | ns |
| F23 | $t_d(\text{CLK-GPIO})$ | Delay time, gpmc_clk transition to gpio6_16 transition | 0.5 | 7.5 | ns |

Table 5-50. GPMC/NOR Flash Interface Timing Requirements - Synchronous Mode - Alternate⁽¹⁾

| NO. | PARAMETER | DESCRIPTION | MIN | MAX | UNIT |
|-----|----------------------|---|-----|-----|------|
| F12 | $t_{su(dV-clkH)}$ | Setup time, read gpmc_ad[15:0] valid before gpmc_clk high | 2.5 | | ns |
| F13 | $t_{h(clkH-dV)}$ | Hold time, read gpmc_ad[15:0] valid after gpmc_clk high | 1.9 | | ns |
| F21 | $t_{su(waitV-clkH)}$ | Setup time, gpmc_wait[1:0] valid before gpmc_clk high | 2.5 | | ns |
| F22 | $t_{h(clkH-waitV)}$ | Hold Time, gpmc_wait[1:0] valid after gpmc_clk high | 1.9 | | ns |

(1) Total GPMC load on any signal at 3.3V must not exceed 10pF.

Table 5-51. GPMC/NOR Flash Interface Switching Characteristics - Synchronous Mode - Alternate⁽¹⁾

| NO. | PARAMETER | DESCRIPTION | MIN | MAX | UNIT |
|-----|----------------------|--|-----------------------|-----------------------|------|
| F0 | $t_{c(clk)}$ | Cycle time, output clock gpmc_clk period ⁽¹³⁾ | 15.04 | | ns |
| F2 | $t_{d(clkH-nCSV)}$ | Delay time, gpmc_clk rising edge to gpmc_cs[7:0] transition | F+0.6 ⁽⁷⁾ | F+7.0 ⁽⁷⁾ | ns |
| F3 | $t_{d(clkH-nCSIV)}$ | Delay time, gpmc_clk rising edge to gpmc_cs[7:0] invalid | E+0.6 ⁽⁶⁾ | E+7.0 ⁽⁶⁾ | ns |
| F4 | $t_{d(ADDV-clk)}$ | Delay time, gpmc_a[27:0] address bus valid to gpmc_clk first edge | B-0.7 ⁽³⁾ | B+7.0 ⁽³⁾ | ns |
| F5 | $t_{d(clkH-ADDIV)}$ | Delay time, gpmc_clk rising edge to gpmc_a[27:0] gpmc address bus invalid | -0.7 | | ns |
| F6 | $t_{d(nBEV-clk)}$ | Delay time, gpmc_ben[1:0] valid to gpmc_clk rising edge | B-7.0 | B+0.4 | ns |
| F7 | $t_{d(clkH-nBEIV)}$ | Delay time, gpmc_clk rising edge to gpmc_ben[1:0] invalid | D-0.4 | D+7.0 | ns |
| F8 | $t_{d(clkH-nADV)}$ | Delay time, gpmc_clk rising edge to gpmc_advn_ale transition | G+0.7 ⁽⁸⁾ | G+6.1 ⁽⁸⁾ | ns |
| F9 | $t_{d(clkH-nADVIV)}$ | Delay time, gpmc_clk rising edge to gpmc_advn_ale invalid | D+0.7 ⁽⁵⁾ | D+6.1 ⁽⁵⁾ | ns |
| F10 | $t_{d(clkH-nOE)}$ | Delay time, gpmc_clk rising edge to gpmc_oen_ren transition | H+0.7 ⁽⁹⁾ | H+5.1 ⁽⁹⁾ | ns |
| F11 | $t_{d(clkH-nOEIV)}$ | Delay time, gpmc_clk rising edge to gpmc_oen_ren invalid | E+0.7 ⁽⁶⁾ | E+5.1 ⁽⁶⁾ | ns |
| F14 | $t_{d(clkH-nWE)}$ | Delay time, gpmc_clk rising edge to gpmc_wen transition | I+0.7 ⁽¹⁰⁾ | I+6.1 ⁽¹⁰⁾ | ns |
| F15 | $t_{d(clkH-Data)}$ | Delay time, gpmc_clk rising edge to gpmc_ad[15:0] data bus transition | J-0.4 ⁽¹¹⁾ | J+4.9 ⁽¹¹⁾ | ns |
| F17 | $t_{d(clkH-nBE)}$ | Delay time, gpmc_clk rising edge to gpmc_ben[1:0] transition | J-0.4 ⁽¹¹⁾ | J+4.9 ⁽¹¹⁾ | ns |
| F18 | $t_{w(nCSV)}$ | Pulse duration, gpmc_cs[7:0] low | A ⁽²⁾ | | ns |
| F19 | $t_{w(nBEV)}$ | Pulse duration, gpmc_ben[1:0] low | C ⁽⁴⁾ | | ns |
| F20 | $t_{w(nADV)}$ | Pulse duration, gpmc_advn_ale low | K ⁽¹²⁾ | | ns |
| F23 | $t_{d(CLK-GPIO)}$ | Delay time, gpmc_clk transition to gpio6_16.clkout1 transition ⁽¹⁴⁾ | 0.5 | 7.5 | ns |

(1) Total GPMC load on any signal at 3.3V must not exceed 10pF.

- (2) For single read: $A = (CSRdOffTime - CSOnTime) \times (TimeParaGranularity + 1) \times GPMC_FCLK$ period
 For burst read: $A = (CSRdOffTime - CSOnTime + (n - 1) \times PageBurstAccessTime) \times (TimeParaGranularity + 1) \times GPMC_FCLK$ period
 For burst write: $A = (CSWrOffTime - CSOnTime + (n - 1) \times PageBurstAccessTime) \times (TimeParaGranularity + 1) \times GPMC_FCLK$ period
 with n the page burst access number.
- (3) $B = ClkActivationTime \times GPMC_FCLK$
- (4) For single read: $C = RdCycleTime \times (TimeParaGranularity + 1) \times GPMC_FCLK$
 For burst read: $C = (RdCycleTime + (n - 1) \times PageBurstAccessTime) \times (TimeParaGranularity + 1) \times GPMC_FCLK$
 For Burst write: $C = (WrCycleTime + (n - 1) \times PageBurstAccessTime) \times (TimeParaGranularity + 1) \times GPMC_FCLK$ with n the page burst access number.
- (5) For single read: $D = (RdCycleTime - AccessTime) \times (TimeParaGranularity + 1) \times GPMC_FCLK$
 For burst read: $D = (RdCycleTime - AccessTime) \times (TimeParaGranularity + 1) \times GPMC_FCLK$
 For burst write: $D = (WrCycleTime - AccessTime) \times (TimeParaGranularity + 1) \times GPMC_FCLK$
- (6) For single read: $E = (CSRdOffTime - AccessTime) \times (TimeParaGranularity + 1) \times GPMC_FCLK$
 For burst read: $E = (CSRdOffTime - AccessTime) \times (TimeParaGranularity + 1) \times GPMC_FCLK$
 For burst write: $E = (CSWrOffTime - AccessTime) \times (TimeParaGranularity + 1) \times GPMC_FCLK$
- (7) For nCS falling edge (CS activated):
 Case GpmcFCLKDivider = 0 :
 $F = 0.5 \times CSExtraDelay \times GPMC_FCLK$ Case GpmcFCLKDivider = 1:
 $F = 0.5 \times CSExtraDelay \times GPMC_FCLK$ if (ClkActivationTime and CSOnTime are odd) or (ClkActivationTime and CSOnTime are even)
 $F = (1 + 0.5 \times CSExtraDelay) \times GPMC_FCLK$ otherwise
 Case GpmcFCLKDivider = 2:
 $F = 0.5 \times CSExtraDelay \times GPMC_FCLK$ if ((CSOnTime - ClkActivationTime) is a multiple of 3)
 $F = (1 + 0.5 \times CSExtraDelay) \times GPMC_FCLK$ if ((CSOnTime - ClkActivationTime - 1) is a multiple of 3)
 $F = (2 + 0.5 \times CSExtraDelay) \times GPMC_FCLK$ if ((CSOnTime - ClkActivationTime - 2) is a multiple of 3)
 Case GpmcFCLKDivider = 3:

$F = 0.5 \times \text{CSEExtraDelay} \times \text{GPMC_FCLK}$ if $((\text{CSOnTime} - \text{ClkActivationTime})$ is a multiple of 4)
 $F = (1 + 0.5 \times \text{CSEExtraDelay}) \times \text{GPMC_FCLK}$ if $((\text{CSOnTime} - \text{ClkActivationTime} - 1)$ is a multiple of 4)
 $F = (2 + 0.5 \times \text{CSEExtraDelay}) \times \text{GPMC_FCLK}$ if $((\text{CSOnTime} - \text{ClkActivationTime} - 2)$ is a multiple of 4)
 $F = (3 + 0.5 \times \text{CSEExtraDelay}) \times \text{GPMC_FCLK}$ if $((\text{CSOnTime} - \text{ClkActivationTime} - 3)$ is a multiple of 4)

(8) For ADV falling edge (ADV activated):

Case GpmcFCLKDivider = 0 :

$G = 0.5 \times \text{ADVExtraDelay} \times \text{GPMC_FCLK}$

Case GpmcFCLKDivider = 1:

$G = 0.5 \times \text{ADVExtraDelay} \times \text{GPMC_FCLK}$ if (ClkActivationTime and ADVOnTime are odd) or (ClkActivationTime and ADVOnTime are even)

$G = (1 + 0.5 \times \text{ADVExtraDelay}) \times \text{GPMC_FCLK}$ otherwise

Case GpmcFCLKDivider = 2:

$G = 0.5 \times \text{ADVExtraDelay} \times \text{GPMC_FCLK}$ if $((\text{ADVOnTime} - \text{ClkActivationTime})$ is a multiple of 3)

$G = (1 + 0.5 \times \text{ADVExtraDelay}) \times \text{GPMC_FCLK}$ if $((\text{ADVOnTime} - \text{ClkActivationTime} - 1)$ is a multiple of 3)

$G = (2 + 0.5 \times \text{ADVExtraDelay}) \times \text{GPMC_FCLK}$ if $((\text{ADVOnTime} - \text{ClkActivationTime} - 2)$ is a multiple of 3)

For ADV rising edge (ADV deactivated) in Reading mode:

Case GpmcFCLKDivider = 0:

$G = 0.5 \times \text{ADVExtraDelay} \times \text{GPMC_FCLK}$

Case GpmcFCLKDivider = 1:

$G = 0.5 \times \text{ADVExtraDelay} \times \text{GPMC_FCLK}$ if (ClkActivationTime and ADVrDOffTime are odd) or (ClkActivationTime and ADVrDOffTime are even)

$G = (1 + 0.5 \times \text{ADVExtraDelay}) \times \text{GPMC_FCLK}$ otherwise

Case GpmcFCLKDivider = 2:

$G = 0.5 \times \text{ADVExtraDelay} \times \text{GPMC_FCLK}$ if $((\text{ADVrDOffTime} - \text{ClkActivationTime})$ is a multiple of 3)

$G = (1 + 0.5 \times \text{ADVExtraDelay}) \times \text{GPMC_FCLK}$ if $((\text{ADVrDOffTime} - \text{ClkActivationTime} - 1)$ is a multiple of 3)

$G = (2 + 0.5 \times \text{ADVExtraDelay}) \times \text{GPMC_FCLK}$ if $((\text{ADVrDOffTime} - \text{ClkActivationTime} - 2)$ is a multiple of 3)

Case GpmcFCLKDivider = 3:

$G = 0.5 \times \text{ADVExtraDelay} \times \text{GPMC_FCLK}$ if $((\text{ADVrDOffTime} - \text{ClkActivationTime})$ is a multiple of 4)

$G = (1 + 0.5 \times \text{ADVExtraDelay}) \times \text{GPMC_FCLK}$ if $((\text{ADVrDOffTime} - \text{ClkActivationTime} - 1)$ is a multiple of 4)

$G = (2 + 0.5 \times \text{ADVExtraDelay}) \times \text{GPMC_FCLK}$ if $((\text{ADVrDOffTime} - \text{ClkActivationTime} - 2)$ is a multiple of 4)

$G = (3 + 0.5 \times \text{ADVExtraDelay}) \times \text{GPMC_FCLK}$ if $((\text{ADVrDOffTime} - \text{ClkActivationTime} - 3)$ is a multiple of 4)

For ADV rising edge (ADV deactivated) in Writing mode:

Case GpmcFCLKDivider = 0:

$G = 0.5 \times \text{ADVExtraDelay} \times \text{GPMC_FCLK}$

Case GpmcFCLKDivider = 1:

$G = 0.5 \times \text{ADVExtraDelay} \times \text{GPMC_FCLK}$ if (ClkActivationTime and ADVWrOffTime are odd) or (ClkActivationTime and ADVWrOffTime are even)

$G = (1 + 0.5 \times \text{ADVExtraDelay}) \times \text{GPMC_FCLK}$ otherwise

Case GpmcFCLKDivider = 2:

$G = 0.5 \times \text{ADVExtraDelay} \times \text{GPMC_FCLK}$ if $((\text{ADVWrOffTime} - \text{ClkActivationTime})$ is a multiple of 3)

$G = (1 + 0.5 \times \text{ADVExtraDelay}) \times \text{GPMC_FCLK}$ if $((\text{ADVWrOffTime} - \text{ClkActivationTime} - 1)$ is a multiple of 3)

$G = (2 + 0.5 \times \text{ADVExtraDelay}) \times \text{GPMC_FCLK}$ if $((\text{ADVWrOffTime} - \text{ClkActivationTime} - 2)$ is a multiple of 3)

Case GpmcFCLKDivider = 3:

$G = 0.5 \times \text{ADVExtraDelay} \times \text{GPMC_FCLK}$ if $((\text{ADVWrOffTime} - \text{ClkActivationTime})$ is a multiple of 4)

$G = (1 + 0.5 \times \text{ADVExtraDelay}) \times \text{GPMC_FCLK}$ if $((\text{ADVWrOffTime} - \text{ClkActivationTime} - 1)$ is a multiple of 4)

$G = (2 + 0.5 \times \text{ADVExtraDelay}) \times \text{GPMC_FCLK}$ if $((\text{ADVWrOffTime} - \text{ClkActivationTime} - 2)$ is a multiple of 4)

$G = (3 + 0.5 \times \text{ADVExtraDelay}) \times \text{GPMC_FCLK}$ if $((\text{ADVWrOffTime} - \text{ClkActivationTime} - 3)$ is a multiple of 4)

(9) For OE falling edge (OE activated):

Case GpmcFCLKDivider = 0:

$H = 0.5 \times \text{OEEExtraDelay} \times \text{GPMC_FCLK}$

Case GpmcFCLKDivider = 1:

$H = 0.5 \times \text{OEEExtraDelay} \times \text{GPMC_FCLK}$ if (ClkActivationTime and OEOnTime are odd) or (ClkActivationTime and OEOnTime are even)

$H = (1 + 0.5 \times \text{OEEExtraDelay}) \times \text{GPMC_FCLK}$ otherwise

Case GpmcFCLKDivider = 2:

$H = 0.5 \times \text{OEEExtraDelay} \times \text{GPMC_FCLK}$ if $((\text{OEOnTime} - \text{ClkActivationTime})$ is a multiple of 3)

$H = (1 + 0.5 \times \text{OEEExtraDelay}) \times \text{GPMC_FCLK}$ if $((\text{OEOnTime} - \text{ClkActivationTime} - 1)$ is a multiple of 3)

$H = (2 + 0.5 \times \text{OEEExtraDelay}) \times \text{GPMC_FCLK}$ if $((\text{OEOnTime} - \text{ClkActivationTime} - 2)$ is a multiple of 3)

Case GpmcFCLKDivider = 3:

$H = 0.5 \times \text{OEEExtraDelay} \times \text{GPMC_FCLK}$ if $((\text{OEOnTime} - \text{ClkActivationTime})$ is a multiple of 4)

$H = (1 + 0.5 \times \text{OEEExtraDelay}) \times \text{GPMC_FCLK}$ if $((\text{OEOnTime} - \text{ClkActivationTime} - 1)$ is a multiple of 4)

$H = (2 + 0.5 \times \text{OEEExtraDelay}) \times \text{GPMC_FCLK}$ if $((\text{OEOnTime} - \text{ClkActivationTime} - 2)$ is a multiple of 4)

$H = (3 + 0.5 \times \text{OEEExtraDelay}) \times \text{GPMC_FCLK}$ if $((\text{OEOnTime} - \text{ClkActivationTime} - 3)$ is a multiple of 4)

For OE rising edge (OE deactivated):

Case GpmcFCLKDivider = 0:

$H = 0.5 \times \text{OEEExtraDelay} \times \text{GPMC_FCLK}$

Case GpmcFCLKDivider = 1:

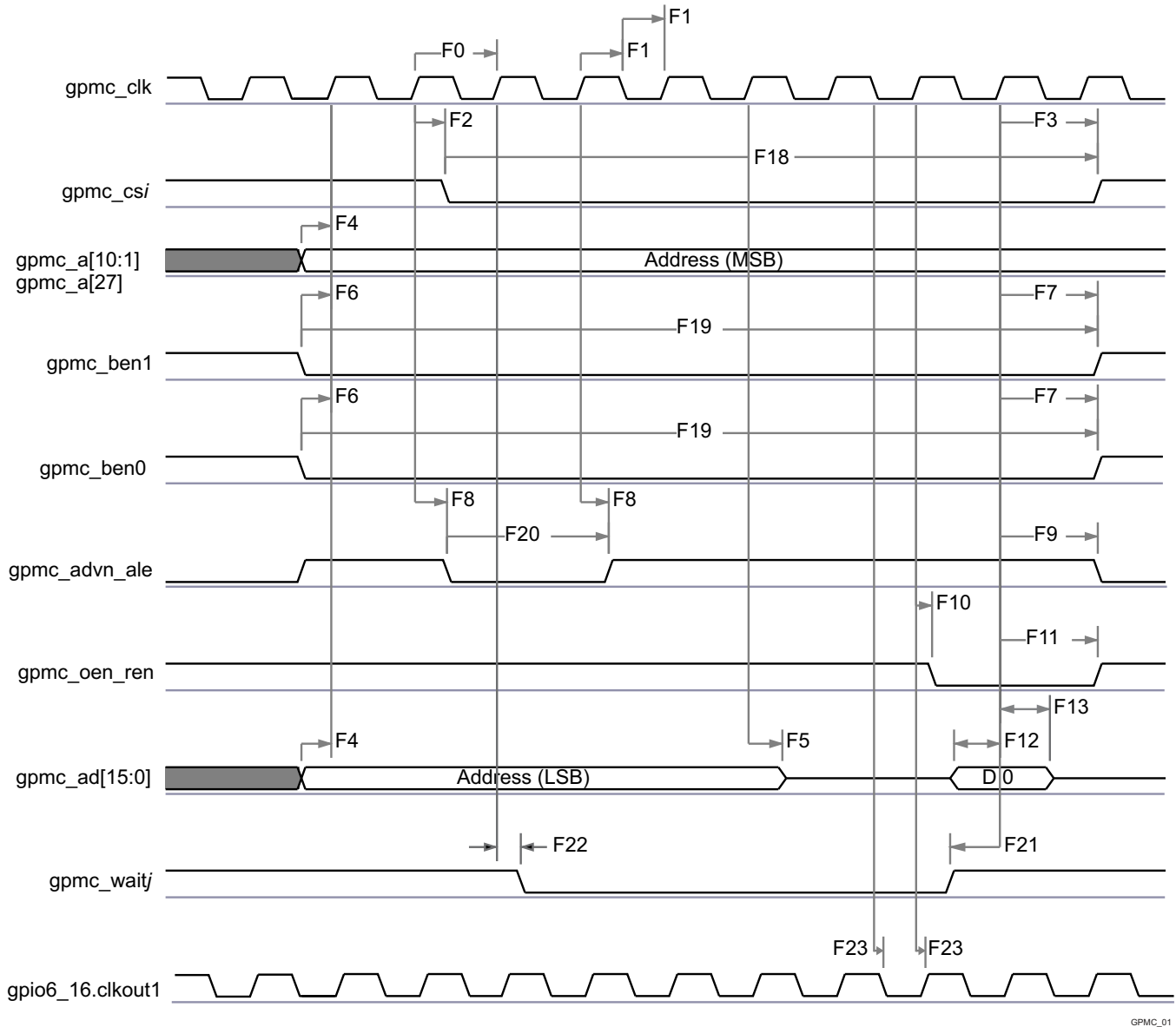
$H = 0.5 \times \text{OEEExtraDelay} \times \text{GPMC_FCLK}$ if (ClkActivationTime and OEOffTime are odd) or (ClkActivationTime and OEOffTime are even)

$H = (1 + 0.5 \times \text{OEEExtraDelay}) \times \text{GPMC_FCLK}$ otherwise

Case GpmcFCLKDivider = 2:

$H = 0.5 \times \text{OEEExtraDelay} \times \text{GPMC_FCLK}$ if $((\text{OEOffTime} - \text{ClkActivationTime})$ is a multiple of 3)

- $H = (1 + 0.5 \times \text{OEEExtraDelay}) \times \text{GPMC_FCLK}$ if $((\text{OEOffTime} - \text{ClkActivationTime} - 1)$ is a multiple of 3)
 - $H = (2 + 0.5 \times \text{OEEExtraDelay}) \times \text{GPMC_FCLK}$ if $((\text{OEOffTime} - \text{ClkActivationTime} - 2)$ is a multiple of 3)
 - Case $\text{GpmcFCLKDivider} = 3$:
 - $H = 0.5 \times \text{OEEExtraDelay} \times \text{GPMC_FCLK}$ if $((\text{OEOffTime} - \text{ClkActivationTime})$ is a multiple of 4)
 - $H = (1 + 0.5 \times \text{OEEExtraDelay}) \times \text{GPMC_FCLK}$ if $((\text{OEOffTime} - \text{ClkActivationTime} - 1)$ is a multiple of 4)
 - $H = (2 + 0.5 \times \text{OEEExtraDelay}) \times \text{GPMC_FCLK}$ if $((\text{OEOffTime} - \text{ClkActivationTime} - 2)$ is a multiple of 4)
 - $H = (3 + 0.5 \times \text{OEEExtraDelay}) \times \text{GPMC_FCLK}$ if $((\text{OEOffTime} - \text{ClkActivationTime} - 3)$ is a multiple of 4)
- (10) For WE falling edge (WE activated):
- Case $\text{GpmcFCLKDivider} = 0$:
 - $I = 0.5 \times \text{WEEExtraDelay} \times \text{GPMC_FCLK}$
 - Case $\text{GpmcFCLKDivider} = 1$:
 - $I = 0.5 \times \text{WEEExtraDelay} \times \text{GPMC_FCLK}$ if $(\text{ClkActivationTime}$ and WEOnTime are odd) or $(\text{ClkActivationTime}$ and WEOnTime are even)
 - $I = (1 + 0.5 \times \text{WEEExtraDelay}) \times \text{GPMC_FCLK}$ otherwise
 - Case $\text{GpmcFCLKDivider} = 2$:
 - $I = 0.5 \times \text{WEEExtraDelay} \times \text{GPMC_FCLK}$ if $((\text{WEOnTime} - \text{ClkActivationTime})$ is a multiple of 3)
 - $I = (1 + 0.5 \times \text{WEEExtraDelay}) \times \text{GPMC_FCLK}$ if $((\text{WEOnTime} - \text{ClkActivationTime} - 1)$ is a multiple of 3)
 - $I = (2 + 0.5 \times \text{WEEExtraDelay}) \times \text{GPMC_FCLK}$ if $((\text{WEOnTime} - \text{ClkActivationTime} - 2)$ is a multiple of 3)
 - Case $\text{GpmcFCLKDivider} = 3$:
 - $I = 0.5 \times \text{WEEExtraDelay} \times \text{GPMC_FCLK}$ if $((\text{WEOnTime} - \text{ClkActivationTime})$ is a multiple of 4)
 - $I = (1 + 0.5 \times \text{WEEExtraDelay}) \times \text{GPMC_FCLK}$ if $((\text{WEOnTime} - \text{ClkActivationTime} - 1)$ is a multiple of 4)
 - $I = (2 + 0.5 \times \text{WEEExtraDelay}) \times \text{GPMC_FCLK}$ if $((\text{WEOnTime} - \text{ClkActivationTime} - 2)$ is a multiple of 4)
 - $I = (3 + 0.5 \times \text{WEEExtraDelay}) \times \text{GPMC_FCLK}$ if $((\text{WEOnTime} - \text{ClkActivationTime} - 3)$ is a multiple of 4)
- For WE rising edge (WE desactivated):
- Case $\text{GpmcFCLKDivider} = 0$:
 - $I = 0.5 \times \text{WEEExtraDelay} \times \text{GPMC_FCLK}$
 - Case $\text{GpmcFCLKDivider} = 1$:
 - $I = 0.5 \times \text{WEEExtraDelay} \times \text{GPMC_FCLK}$ if $(\text{ClkActivationTime}$ and WEOffTime are odd) or $(\text{ClkActivationTime}$ and WEOffTime are even)
 - $I = (1 + 0.5 \times \text{WEEExtraDelay}) \times \text{GPMC_FCLK}$ otherwise
 - Case $\text{GpmcFCLKDivider} = 2$:
 - $I = 0.5 \times \text{WEEExtraDelay} \times \text{GPMC_FCLK}$ if $((\text{WEOffTime} - \text{ClkActivationTime})$ is a multiple of 3)
 - $I = (1 + 0.5 \times \text{WEEExtraDelay}) \times \text{GPMC_FCLK}$ if $((\text{WEOffTime} - \text{ClkActivationTime} - 1)$ is a multiple of 3)
 - $I = (2 + 0.5 \times \text{WEEExtraDelay}) \times \text{GPMC_FCLK}$ if $((\text{WEOffTime} - \text{ClkActivationTime} - 2)$ is a multiple of 3)
 - Case $\text{GpmcFCLKDivider} = 3$:
 - $I = 0.5 \times \text{WEEExtraDelay} \times \text{GPMC_FCLK}$ if $((\text{WEOffTime} - \text{ClkActivationTime})$ is a multiple of 4)
 - $I = (1 + 0.5 \times \text{WEEExtraDelay}) \times \text{GPMC_FCLK}$ if $((\text{WEOffTime} - \text{ClkActivationTime} - 1)$ is a multiple of 4)
 - $I = (2 + 0.5 \times \text{WEEExtraDelay}) \times \text{GPMC_FCLK}$ if $((\text{WEOffTime} - \text{ClkActivationTime} - 2)$ is a multiple of 4)
 - $I = (3 + 0.5 \times \text{WEEExtraDelay}) \times \text{GPMC_FCLK}$ if $((\text{WEOffTime} - \text{ClkActivationTime} - 3)$ is a multiple of 4)
- (11) $J = \text{GPMC_FCLK}$ period, where GPMC_FCLK is the General Purpose Memory Controller internal functional clock
- (12) For read:
 $K = (\text{ADVRdOffTime} - \text{ADVOnTime}) \times (\text{TimeParaGranularity} + 1) \times \text{GPMC_FCLK}$
 For write: $K = (\text{ADVWrOffTime} - \text{ADVOnTime}) \times (\text{TimeParaGranularity} + 1) \times \text{GPMC_FCLK}$
- (13) The gpmc_clk output clock maximum and minimum frequency is programmable in the I/F module by setting the GPMC_CONFIG1_CSx configuration register bit fields GpmcFCLKDivider
- (14) gpio6_16 programmed to $\text{MUXMODE}=9$ (clkout1), $\text{CM_CLKSEL_CLKOUTMUX1}$ programmed to 7 ($\text{CORE_DPLL_OUT_DCLK}$), $\text{CM_CLKSEL_CORE_DPLL_OUT_CLK_CLKOUTMUX}$ programmed to 1.
- (15) $\text{CSEXTRADelay} = 0$, $\text{ADVEXTRADelay} = 0$, $\text{WEEEXTRADelay} = 0$, $\text{OEEEXTRADelay} = 0$. Extra half- GPMC_FCLK cycle delay mode is not timed.



GPMC_01

Figure 5-20. GPMC / Multiplexed 16bits NOR Flash - Synchronous Single Read - (GpmcFCLKDivider = 0)⁽¹⁾⁽²⁾

(1) In gpmc_csi, i = 0 to 7.

(2) In gpmc_waitj, j = 0 to 1.

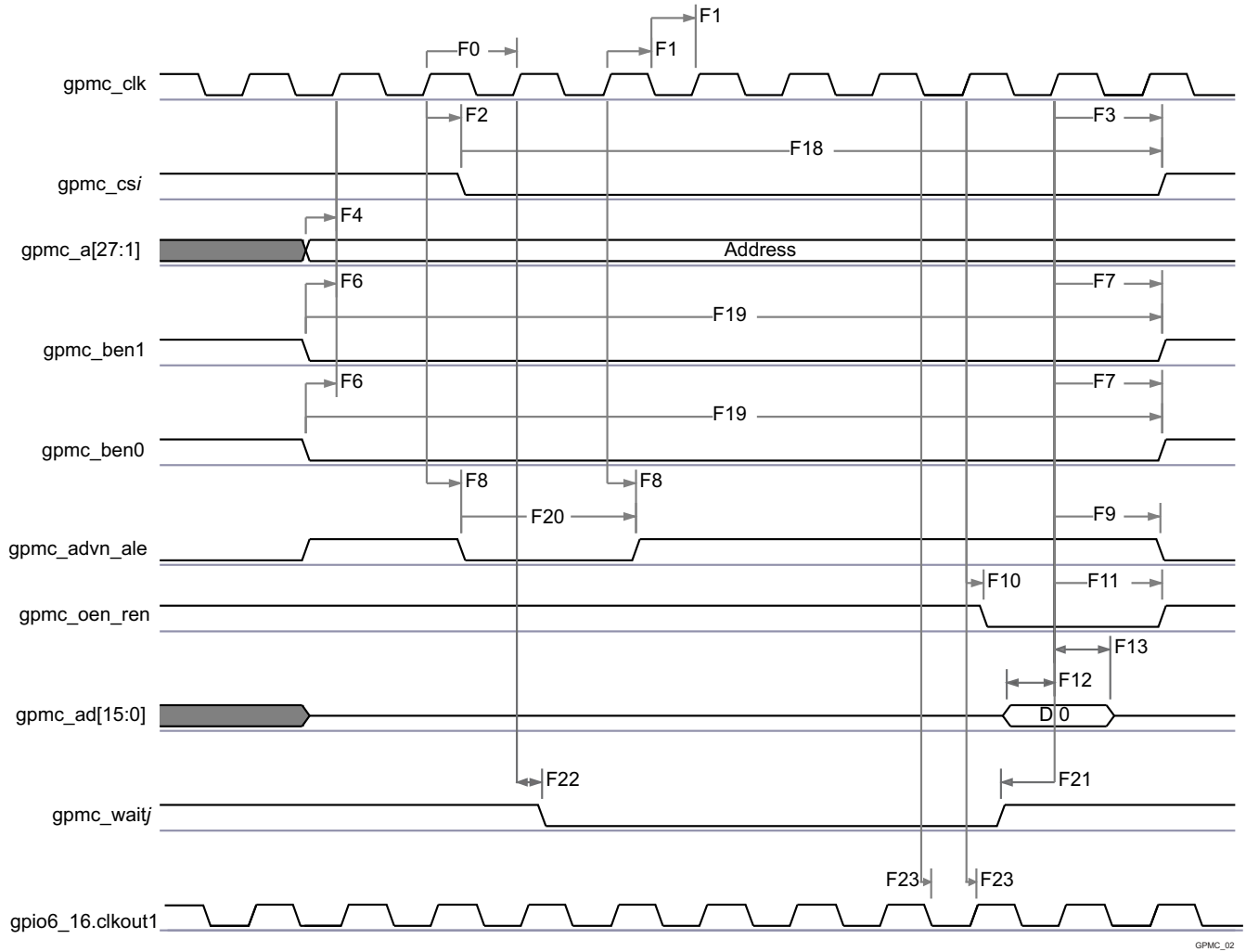
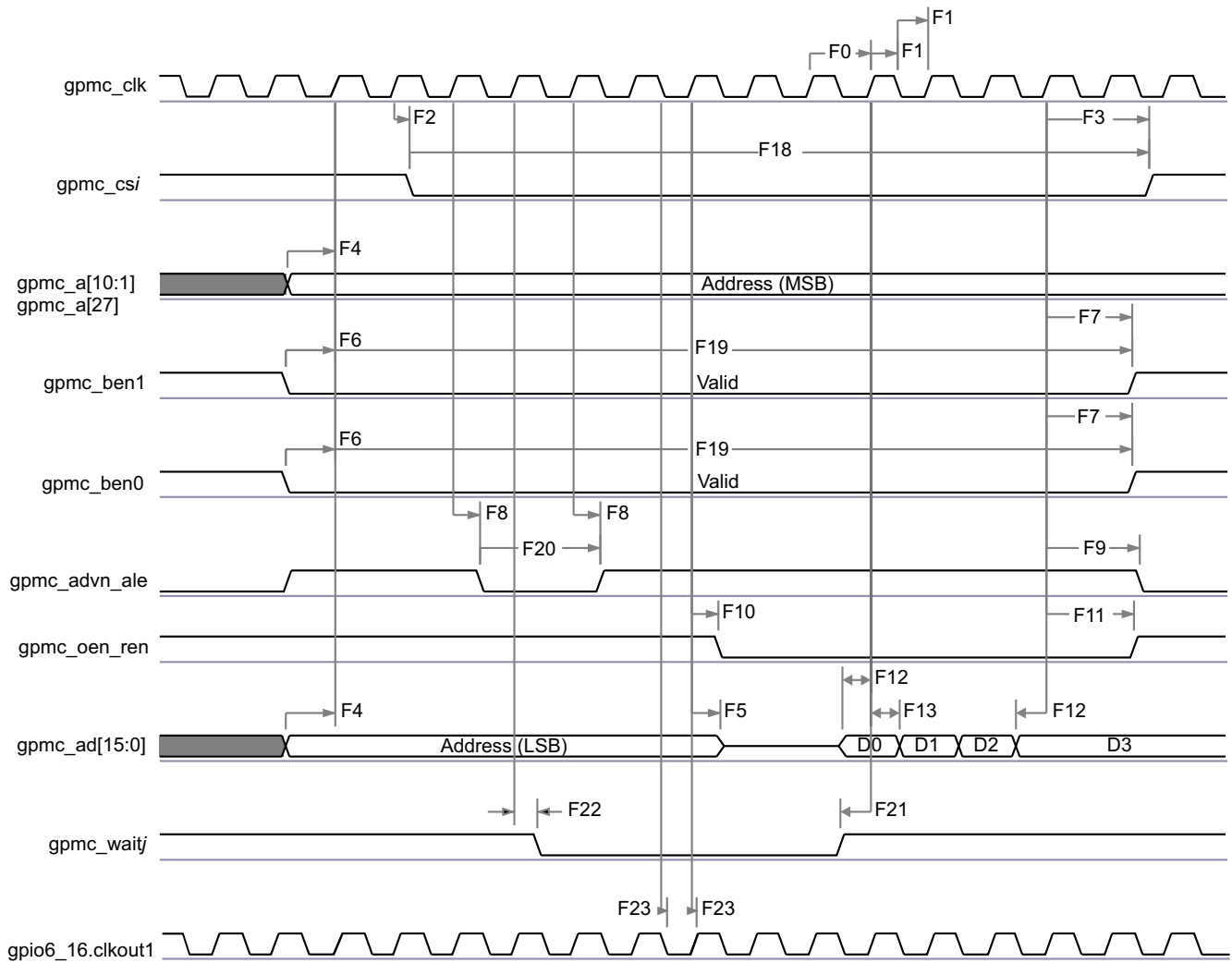


Figure 5-21. GPMC / Nonmultiplexed 16bits NOR Flash - Synchronous Single Read - (GpmcFCLKDivider = 0)⁽¹⁾⁽²⁾

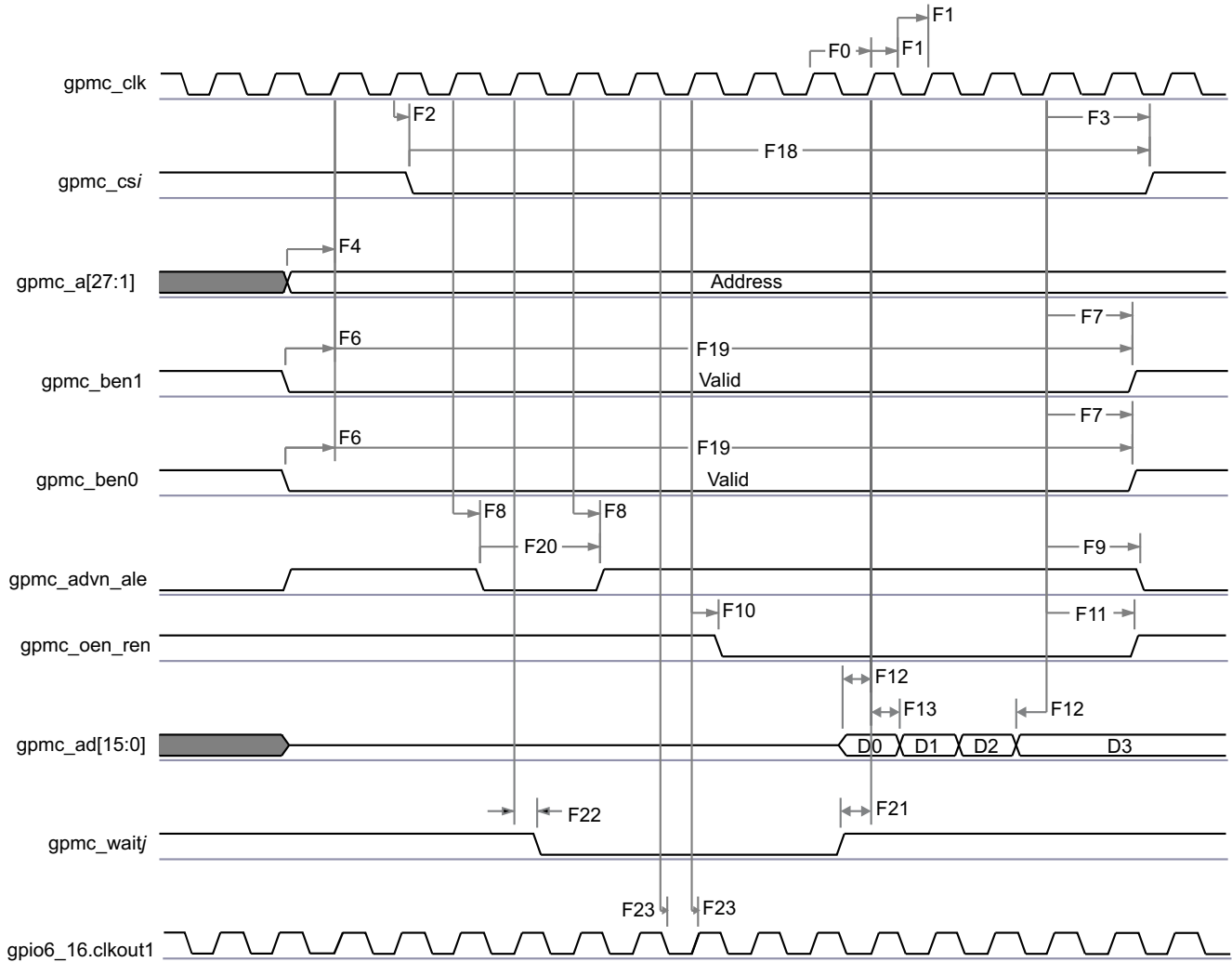
(1) In gpmc_csi, i = 0 to 7.
 (2) In gpmc_waitj, j = 0 to 1.



GPMC_03

Figure 5-22. GPMC / Multiplexed 16bits NOR Flash - Synchronous Burst Read 4x16 bits - (GpmcFCLKDivider = 0)⁽¹⁾⁽²⁾

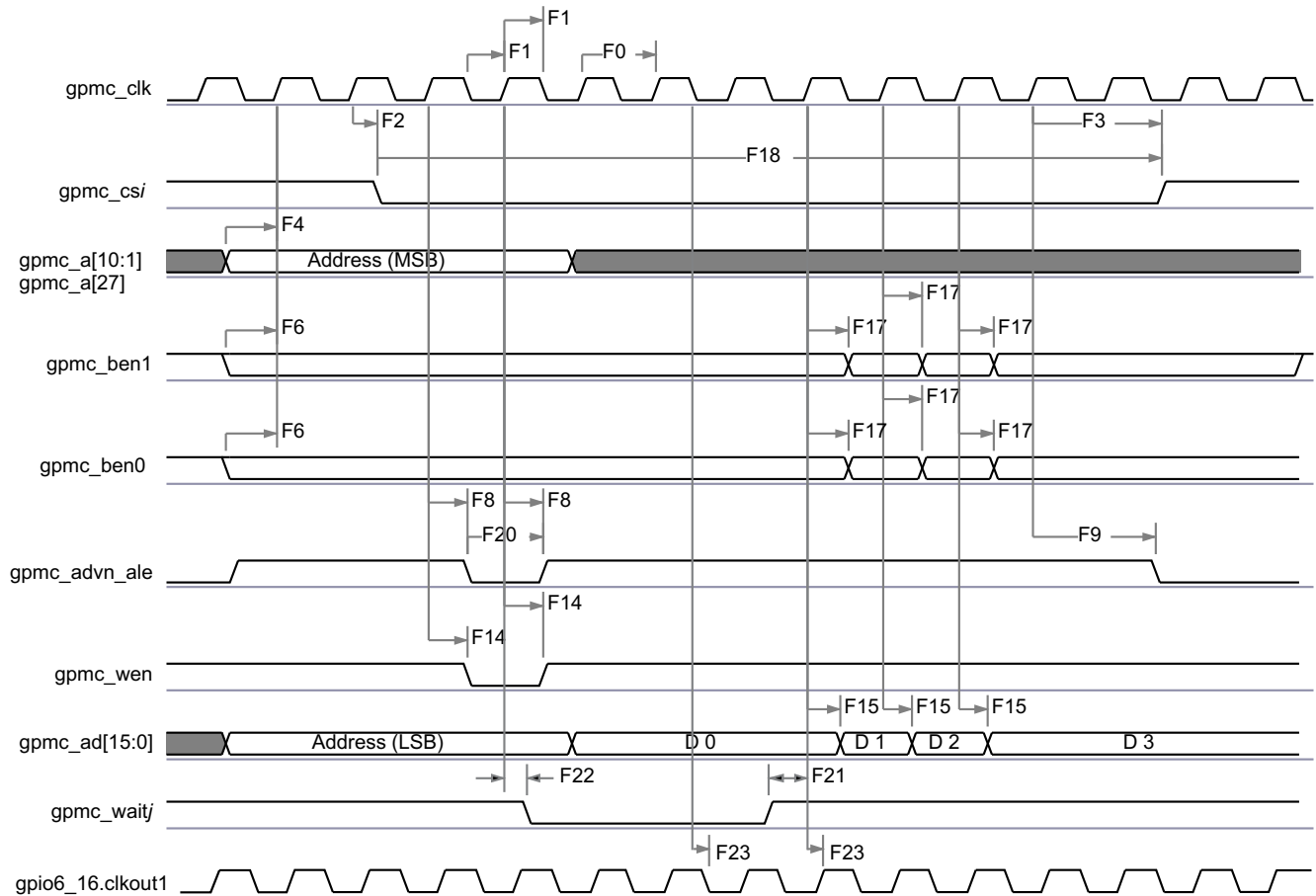
- (1) In gpmc_csi, i= 0 to 7.
- (2) In gpmc_waitj, j = 0 to 1.



GPMC_04

Figure 5-23. GPMC / Nonmultiplexed 16bits NOR Flash - Synchronous Burst Read 4x16 bits - (GpmcFCLKDivider = 0)⁽¹⁾⁽²⁾

- (1) In gpmc_csi, i = 0 to 7.
- (2) In gpmc_waitj, j = 0 to 1.



GPMC_05

Figure 5-24. GPMC / Multiplexed 16bits NOR Flash - Synchronous Burst Write 4x16bits - (GpmcFCLKDivider = 0)⁽¹⁾⁽²⁾

- (1) In "gpmc_csi", i = 0 to 7.
- (2) In "gpmc_waitj", j = 0 to 1.

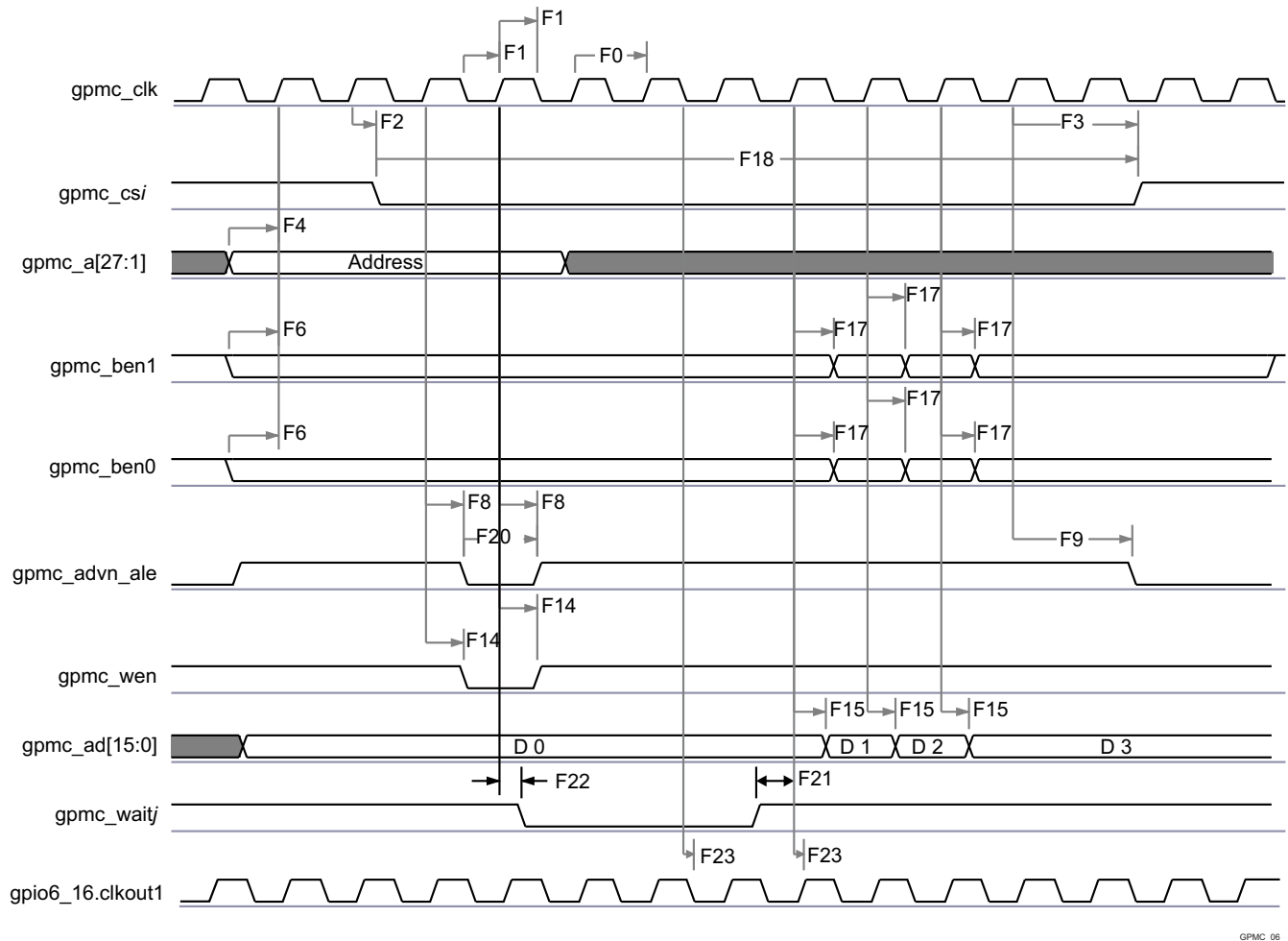


Figure 5-25. GPMC / Nonmultiplexed 16bits NOR Flash - Synchronous Burst Write 4x16bits - (GpmcFCLKDivider = 0)⁽¹⁾⁽²⁾

- (1) In “gpmc_csi”, i = 1 to 7.
- (2) In “gpmc_waitj”, j = 0 to 1.

5.10.6.8.2 GPMC/NOR Flash Interface Asynchronous Timing

CAUTION

The I/O Timings provided in this section are valid only for some GPMC usage modes when the corresponding Virtual I/O Timings or Manual I/O Timings are configured as described in the tables found in this section.

Table 5-52 and Table 5-53 assume testing over the recommended operating conditions and electrical characteristic conditions below (see Figure 5-26, Figure 5-27, Figure 5-28, Figure 5-29, Figure 5-30 and Figure 5-31).

Table 5-52. GPMC/NOR Flash Interface Timing Requirements - Asynchronous Mode

| NO. | PARAMETER | DESCRIPTION | MIN | MAX | UNIT |
|-----|-----------------------|---|-----|------------------|--------|
| FA5 | t _{acc(DAT)} | Data Maximum Access Time (GPMC_FCLK cycles) | | H ⁽¹⁾ | cycles |

Table 5-52. GPMC/NOR Flash Interface Timing Requirements - Asynchronous Mode (continued)

| NO. | PARAMETER | DESCRIPTION | MIN | MAX | UNIT |
|------|------------------------|--|-----|------------------|--------|
| FA20 | $t_{acc1-pgmode}(DAT)$ | Page Mode Successive Data Maximum Access Time (GPMC_FCLK cycles) | | P ⁽²⁾ | cycles |
| FA21 | $t_{acc2-pgmode}(DAT)$ | Page Mode First Data Maximum Access Time (GPMC_FCLK cycles) | | H ⁽¹⁾ | cycles |
| - | $t_{su}(DV-OEH)$ | Setup time, read gpmc_ad[15:0] valid before gpmc_oen_ren high | 1.9 | | ns |
| - | $t_h(OEH-DV)$ | Hold time, read gpmc_ad[15:0] valid after gpmc_oen_ren high | 1 | | ns |

(1) H = Access Time × (TimeParaGranularity + 1)

(2) P = PageBurstAccessTime × (TimeParaGranularity + 1)

Table 5-53. GPMC/NOR Flash Interface Switching Characteristics - Asynchronous Mode

| NO. | PARAMETER | DESCRIPTION | MIN | MAX | UNIT |
|------|----------------------|---|-----------------------|-----------------------|------|
| - | $t_r(DO)$ | Rising time, gpmc_ad[15:0] output data | 0.447 | 4.067 | ns |
| - | $t_f(DO)$ | Falling time, gpmc_ad[15:0] output data | 0.43 | 4.463 | ns |
| FA0 | $t_{w(nBEV)}$ | Pulse duration, gpmc_ben[1:0] valid time | | N ⁽¹⁾ | ns |
| FA1 | $t_{w(nCSV)}$ | Pulse duration, gpmc_cs[7:0] low | | A ⁽²⁾ | ns |
| FA3 | $t_{d(nCSV-nADVIV)}$ | Delay time, gpmc_cs[7:0] valid to gpmc_advn_ale invalid | B - 2 ⁽³⁾ | B + 4 ⁽³⁾ | ns |
| FA4 | $t_{d(nCSV-nOEIV)}$ | Delay time, gpmc_cs[7:0] valid to gpmc_oen_ren invalid (Single read) | C - 2 ⁽⁴⁾ | C + 4 ⁽⁴⁾ | ns |
| FA9 | $t_{d(AV-nCSV)}$ | Delay time, address bus valid to gpmc_cs[7:0] valid | J - 2 ⁽⁵⁾ | J + 4 ⁽⁵⁾ | ns |
| FA10 | $t_{d(nBEV-nCSV)}$ | Delay time, gpmc_ben[1:0] valid to gpmc_cs[7:0] valid | J - 2 ⁽⁵⁾ | J + 4 ⁽⁵⁾ | ns |
| FA12 | $t_{d(nCSV-nADVIV)}$ | Delay time, gpmc_cs[7:0] valid to gpmc_advn_ale valid | K - 2 ⁽⁶⁾ | K + 4 ⁽⁶⁾ | ns |
| FA13 | $t_{d(nCSV-nOEIV)}$ | Delay time, gpmc_cs[7:0] valid to gpmc_oen_ren valid | L - 2 ⁽⁷⁾ | L + 4 ⁽⁷⁾ | ns |
| FA16 | $t_{w(AIV)}$ | Pulse duration, address invalid between 2 successive R/W accesses | G ⁽⁸⁾ | | ns |
| FA18 | $t_{d(nCSV-nOEIV)}$ | Delay time, gpmc_cs[7:0] valid to gpmc_oen_ren invalid (Burst read) | I - 2 ⁽⁹⁾ | I + 4 ⁽⁹⁾ | ns |
| FA20 | $t_{w(AV)}$ | Pulse duration, address valid : 2nd, 3rd and 4th accesses | D ⁽¹⁰⁾ | | ns |
| FA25 | $t_{d(nCSV-nWEV)}$ | Delay time, gpmc_cs[7:0] valid to gpmc_wen valid | E - 2 ⁽¹¹⁾ | E + 4 ⁽¹¹⁾ | ns |
| FA27 | $t_{d(nCSV-nWEIV)}$ | Delay time, gpmc_cs[7:0] valid to gpmc_wen invalid | F - 2 ⁽¹²⁾ | F + 4 ⁽¹²⁾ | ns |
| FA28 | $t_{d(nWEV-DV)}$ | Delay time, gpmc_wen valid to data bus valid | | 2 | ns |
| FA29 | $t_{d}(DV-nCSV)$ | Delay time, data bus valid to gpmc_cs[7:0] valid | J - 2 ⁽⁵⁾ | J + 4 ⁽⁵⁾ | ns |
| FA37 | $t_{d}(nOEIV-AIV)$ | Delay time, gpmc_oen_ren valid to gpmc_ad[15:0] multiplexed address bus phase end | | 2 | ns |

(1) For single read: N = RdCycleTime × (TimeParaGranularity + 1) × GPMC_FCLK
For single write: N = WrCycleTime × (TimeParaGranularity + 1) × GPMC_FCLK
For burst read: N = (RdCycleTime + (n - 1) × PageBurstAccessTime) × (TimeParaGranularity + 1) × GPMC_FCLK
For burst write: N = (WrCycleTime + (n - 1) × PageBurstAccessTime) × (TimeParaGranularity + 1) × GPMC_FCLK

(2) For single read: A = (CSRdOffTime - CSOnTime) × (TimeParaGranularity + 1) × GPMC_FCLK
For single write: A = (CSWrOffTime - CSOnTime) × (TimeParaGranularity + 1) × GPMC_FCLK
For burst read: A = (CSRdOffTime - CSOnTime + (n - 1) × PageBurstAccessTime) × (TimeParaGranularity + 1) × GPMC_FCLK
For burst write: A = (CSWrOffTime - CSOnTime + (n - 1) × PageBurstAccessTime) × (TimeParaGranularity + 1) × GPMC_FCLK

(3) For reading: B = ((ADVrOffTime - CSOnTime) × (TimeParaGranularity + 1) + 0.5 × (ADVExtraDelay - CSEExtraDelay)) × GPMC_FCLK
For writing: B = ((ADVWrOffTime - CSOnTime) × (TimeParaGranularity + 1) + 0.5 × (ADVExtraDelay - CSEExtraDelay)) × GPMC_FCLK

(4) C = ((OEOffTime - CSOnTime) × (TimeParaGranularity + 1) + 0.5 × (OEExtraDelay - CSEExtraDelay)) × GPMC_FCLK

(5) J = (CSOnTime × (TimeParaGranularity + 1) + 0.5 × CSEExtraDelay) × GPMC_FCLK

(6) K = ((ADVOnTime - CSOnTime) × (TimeParaGranularity + 1) + 0.5 × (ADVExtraDelay - CSEExtraDelay)) × GPMC_FCLK

(7) L = ((OEOnTime - CSOnTime) × (TimeParaGranularity + 1) + 0.5 × (OEExtraDelay - CSEExtraDelay)) × GPMC_FCLK

(8) G = Cycle2CycleDelay × GPMC_FCLK × (TimeParaGranularity + 1)

(9) I = ((OEOffTime + (n - 1) × PageBurstAccessTime - CSOnTime) × (TimeParaGranularity + 1) + 0.5 × (OEExtraDelay - CSEExtraDelay)) × GPMC_FCLK

(10) D = PageBurstAccessTime × (TimeParaGranularity + 1) × GPMC_FCLK

(11) E = ((WEOnTime - CSOnTime) × (TimeParaGranularity + 1) + 0.5 × (WEEExtraDelay - CSEExtraDelay)) × GPMC_FCLK

(12) F = ((WEOffTime - CSOnTime) × (TimeParaGranularity + 1) + 0.5 × (WEEExtraDelay - CSEExtraDelay)) × GPMC_FCLK

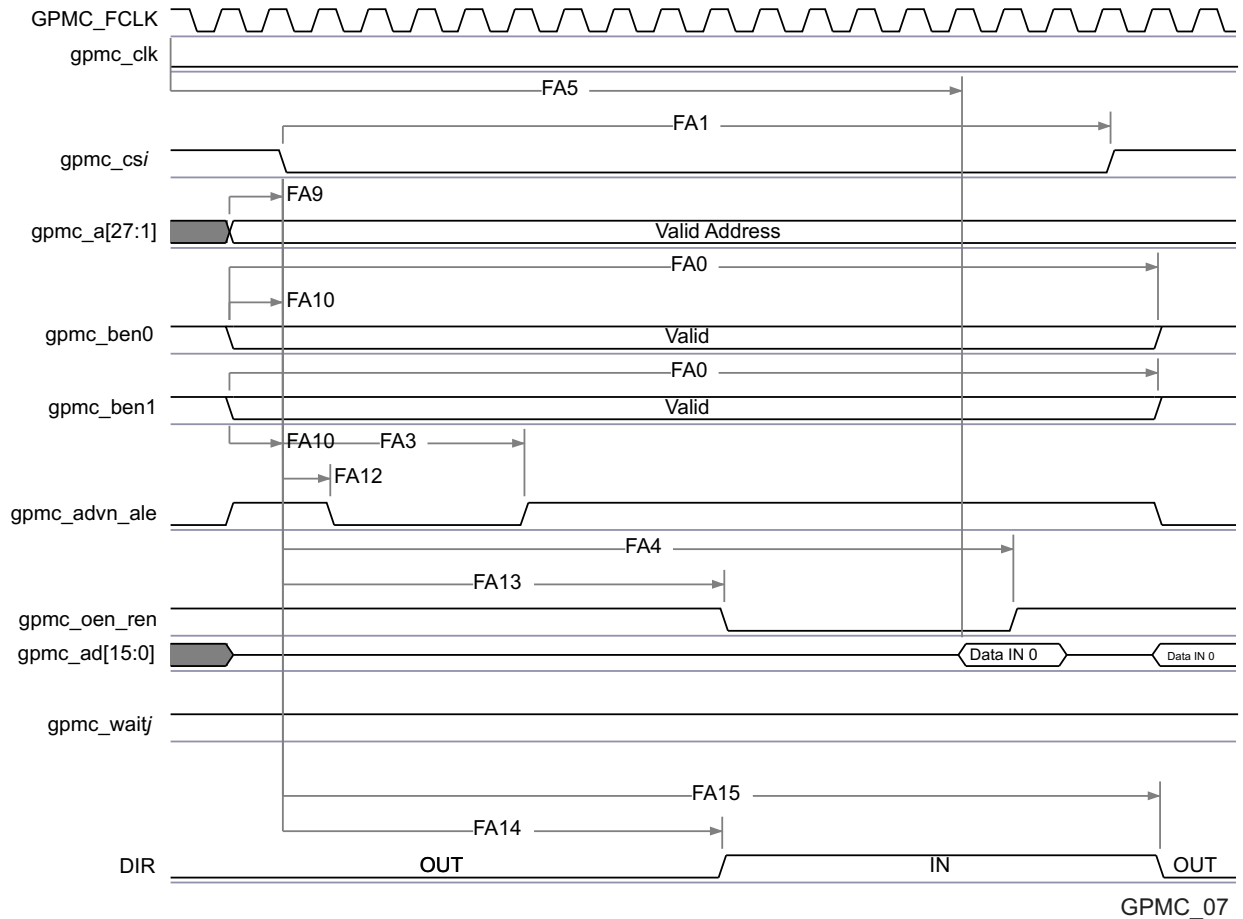


Figure 5-26. GPMC / NOR Flash - Asynchronous Read - Single Word Timing⁽¹⁾⁽²⁾⁽³⁾

- (1) In `gpmc_csi`, $i = 0$ to 7. In `gpmc_waitj`, $j = 0$ to 1.
- (2) FA5 parameter illustrates amount of time required to internally sample input data. It is expressed in number of GPMC functional clock cycles. From start of read cycle and after FA5 functional clock cycles, input Data will be internally sampled by active functional clock edge. FA5 value must be stored inside AccessTime register bits field.
- (3) GPMC_FCLK is an internal clock (GPMC functional clock) not provided externally.
- (4) The "DIR" (direction control) output signal is NOT pinned out on any of the device pads. It is an internal signal only representing a signal direction on the GPMC data bus.

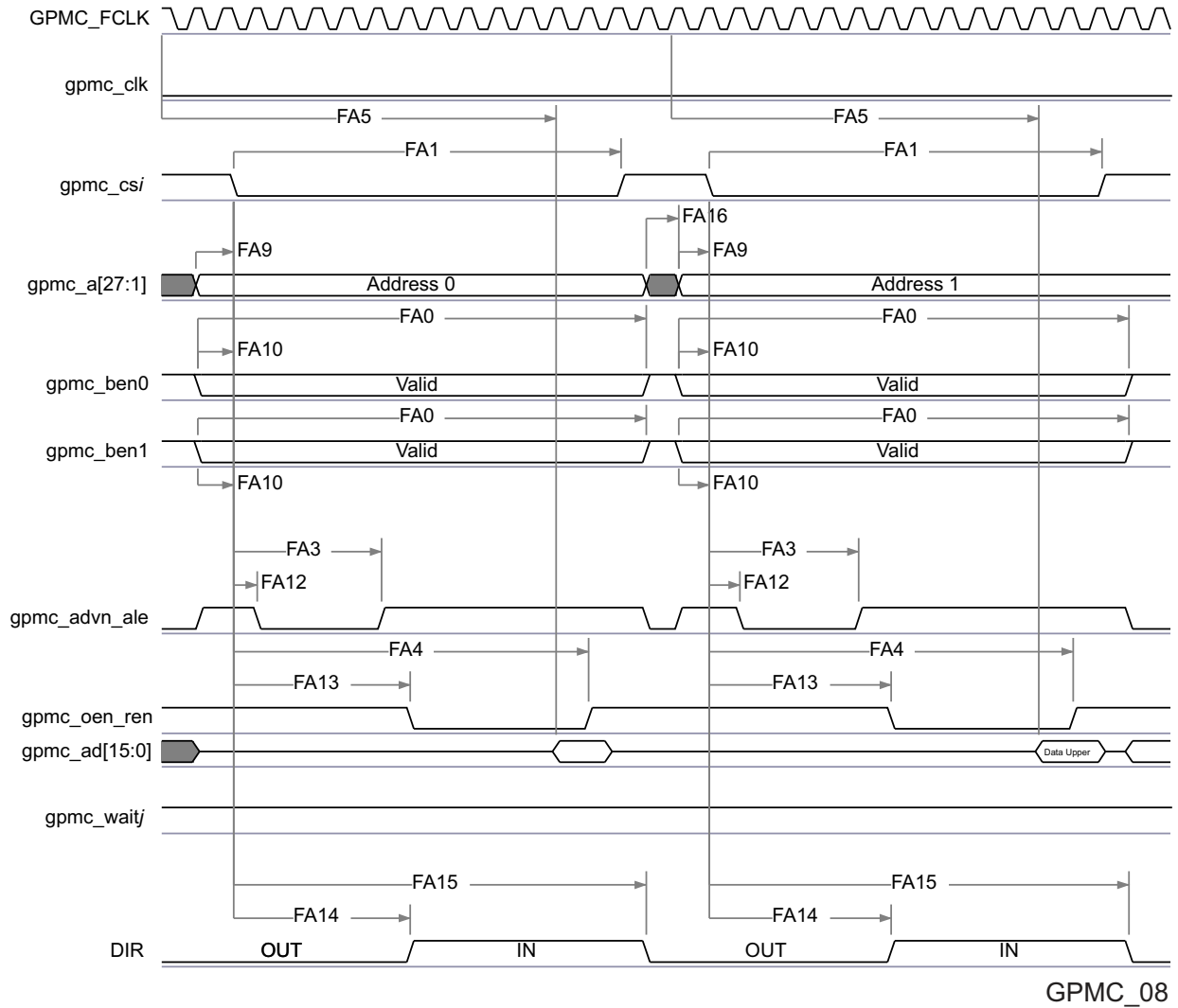
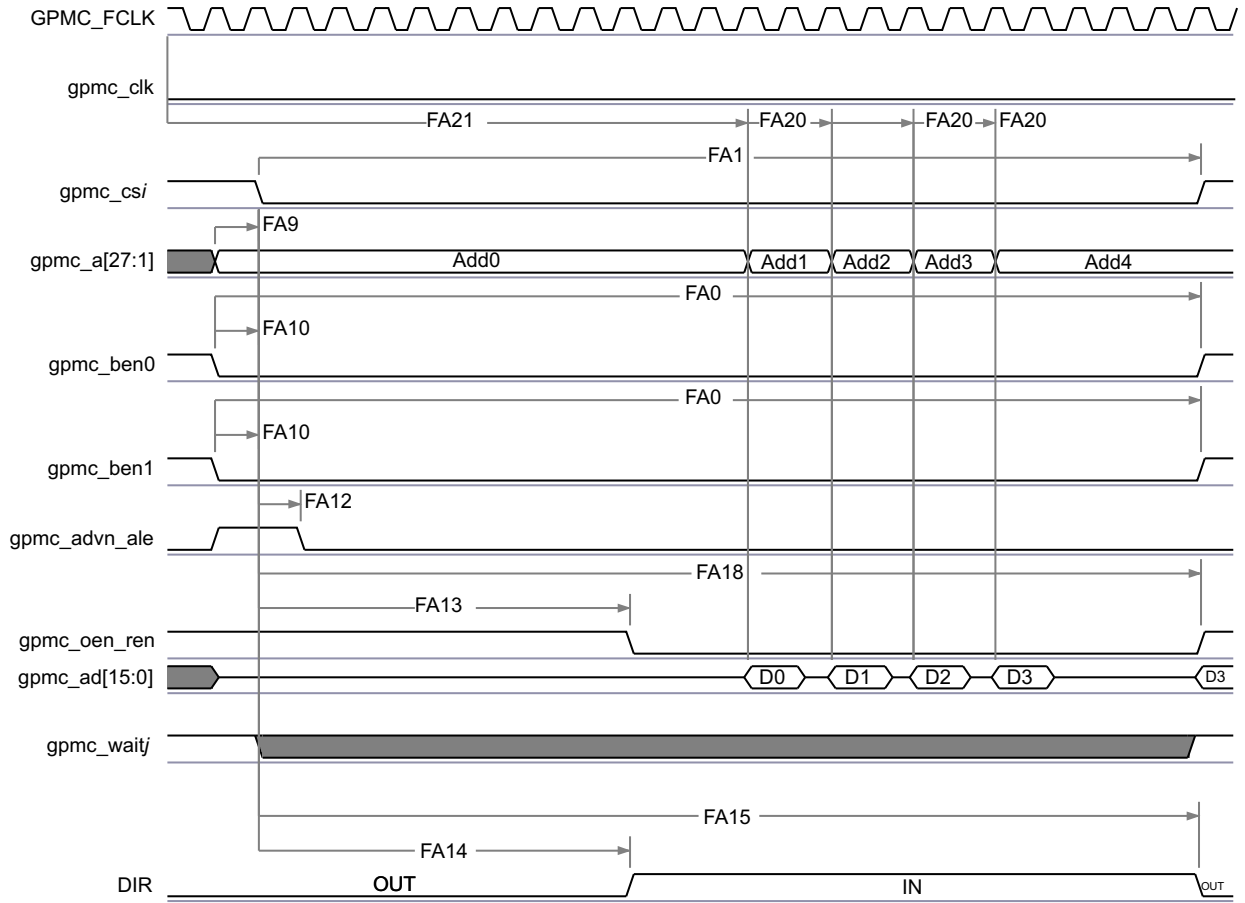


Figure 5-27. GPMC / NOR Flash - Asynchronous Read - 32-bit Timing⁽¹⁾⁽²⁾⁽³⁾

- (1) In "gpmc_csi", i = 0 to 7. In "gpmc_waitj", j = 0 to 1.
- (2) FA5 parameter illustrates amount of time required to internally sample input Data. It is expressed in number of GPMC functional clock cycles. From start of read cycle and after FA5 functional clock cycles, input Data will be internally sampled by active functional clock edge. FA5 value should be stored inside AccessTime register bits field
- (3) GPMC_FCLK is an internal clock (GPMC functional clock) not provided externally
- (4) The "DIR" (direction control) output signal is NOT pinned out on any of the device pads. It is an internal signal only representing a signal direction on the GPMC data bus.



SPRS961v_GPMC_09

Figure 5-28. GPMC / NOR Flash - Asynchronous Read - Page Mode 4x16-bit Timing⁽¹⁾⁽²⁾⁽³⁾⁽⁴⁾

- (1) In "gpmc_csi", i = 0 to 7. In "gpmc_waitj", j = 0 to 1
- (2) FA21 parameter illustrates amount of time required to internally sample first input Page Data. It is expressed in number of GPMC functional clock cycles. From start of read cycle and after FA21 functional clock cycles, First input Page Data will be internally sampled by active functional clock edge. FA21 calculation is detailed in a separated application note and should be stored inside AccessTime register bits field.
- (3) FA20 parameter illustrates amount of time required to internally sample successive input Page Data. It is expressed in number of GPMC functional clock cycles. After each access to input Page Data, next input Page Data will be internally sampled by active functional clock edge after FA20 functional clock cycles. FA20 is also the duration of address phases for successive input Page Data (excluding first input Page Data). FA20 value should be stored in PageBurstAccessTime register bits field.
- (4) GPMC_FCLK is an internal clock (GPMC functional clock) not provided externally
- (5) The "DIR" (direction control) output signal is NOT pinned out on any of the device pads. It is an internal signal only representing a signal direction on the GPMC data bus.

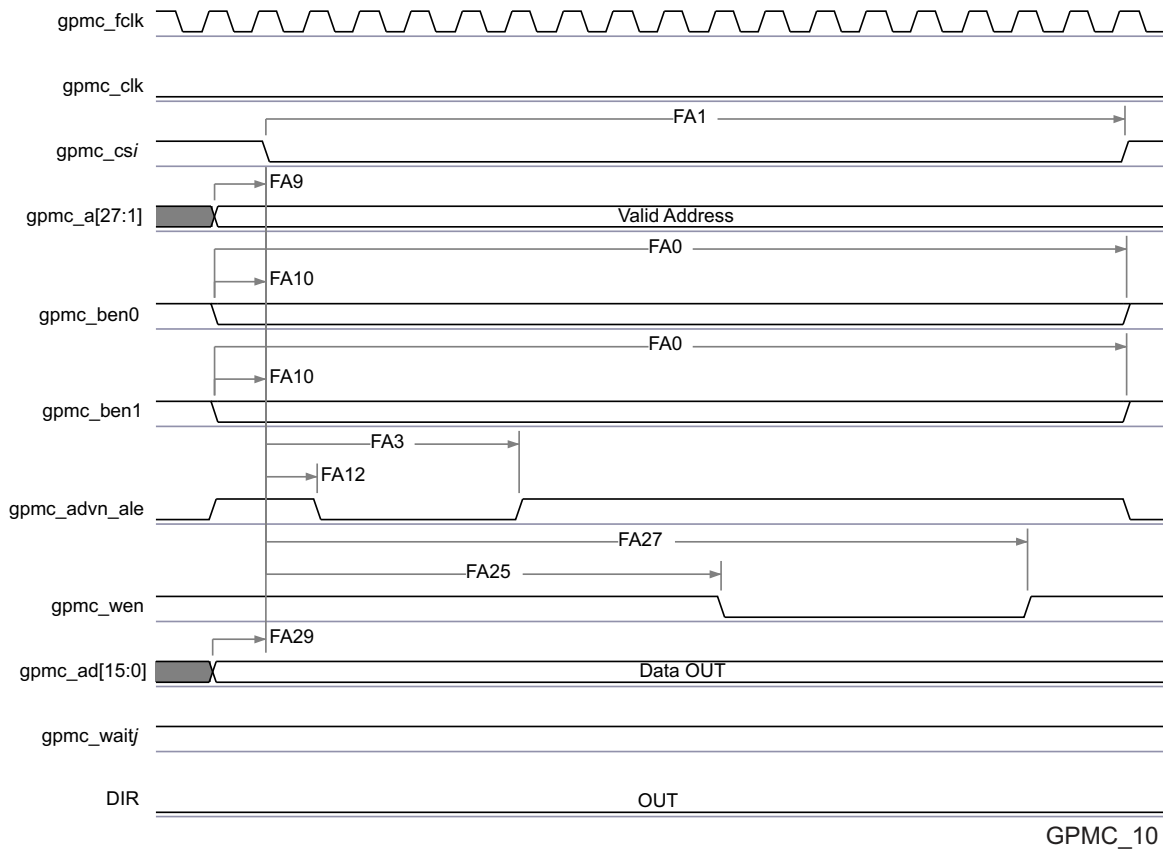


Figure 5-29. GPMC / NOR Flash - Asynchronous Write - Single Word Timing⁽¹⁾

- (1) In "gpmc_csi", i = 0 to 7. In "gpmc_waitj", j = 0 to 1.
- (2) The "DIR" (direction control) output signal is NOT pinned out on any of the device pads. It is an internal signal only representing a signal direction on the GPMC data bus.

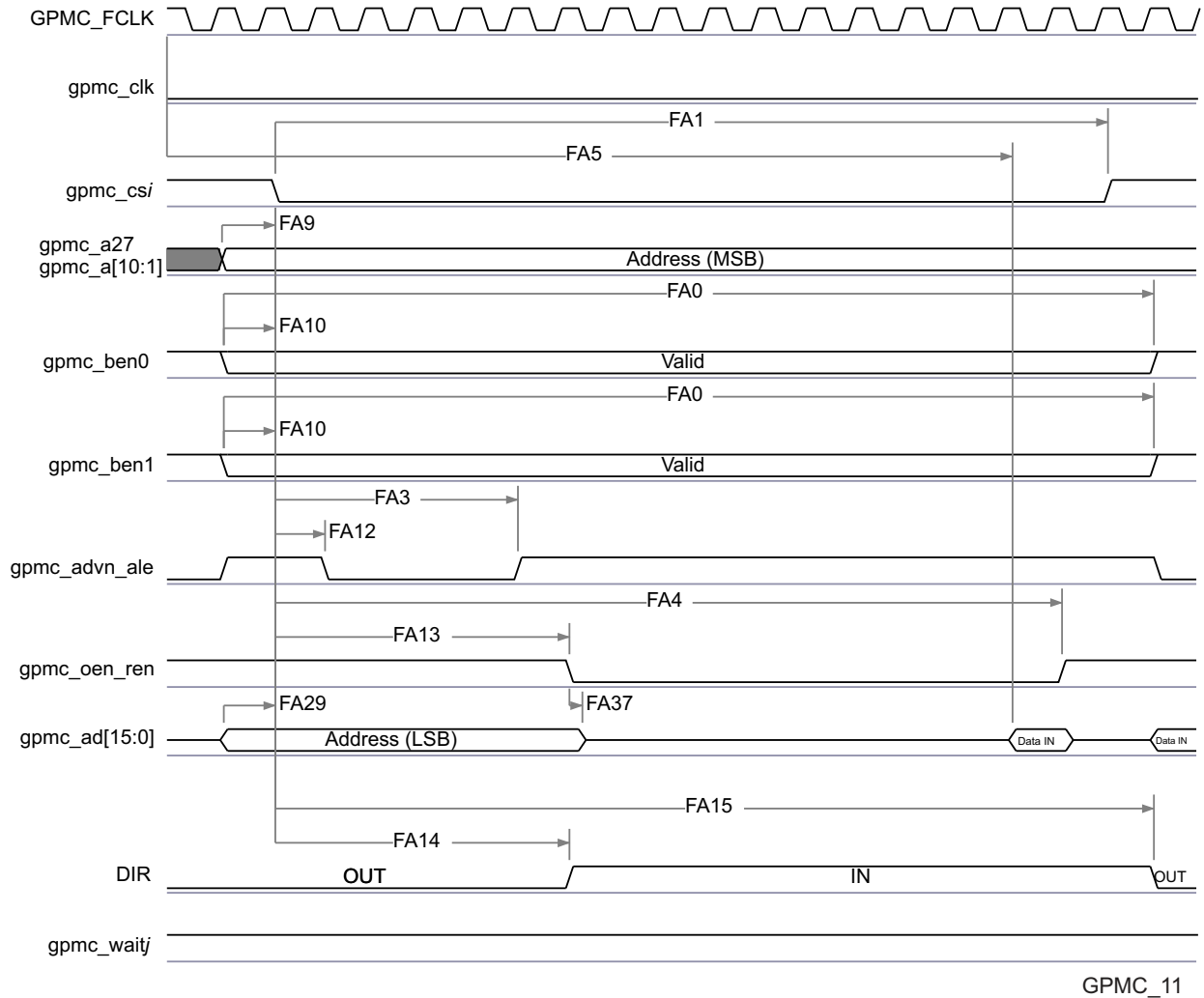


Figure 5-30. GPMC / Multiplexed NOR Flash - Asynchronous Read - Single Word Timing⁽¹⁾⁽²⁾⁽³⁾

- (1) In "gpmc_csi", i = 0 to 7. In "gpmc_waitj", j = 0 to 1
- (2) FA5 parameter illustrates amount of time required to internally sample input Data. It is expressed in number of GPMC functional clock cycles. From start of read cycle and after FA5 functional clock cycles, input Data will be internally sampled by active functional clock edge. FA5 value should be stored inside AccessTime register bits field.
- (3) GPMC_FCLK is an internal clock (GPMC functional clock) not provided externally
- (4) The "DIR" (direction control) output signal is NOT pinned out on any of the device pads. It is an internal signal only representing a signal direction on the GPMC data bus.

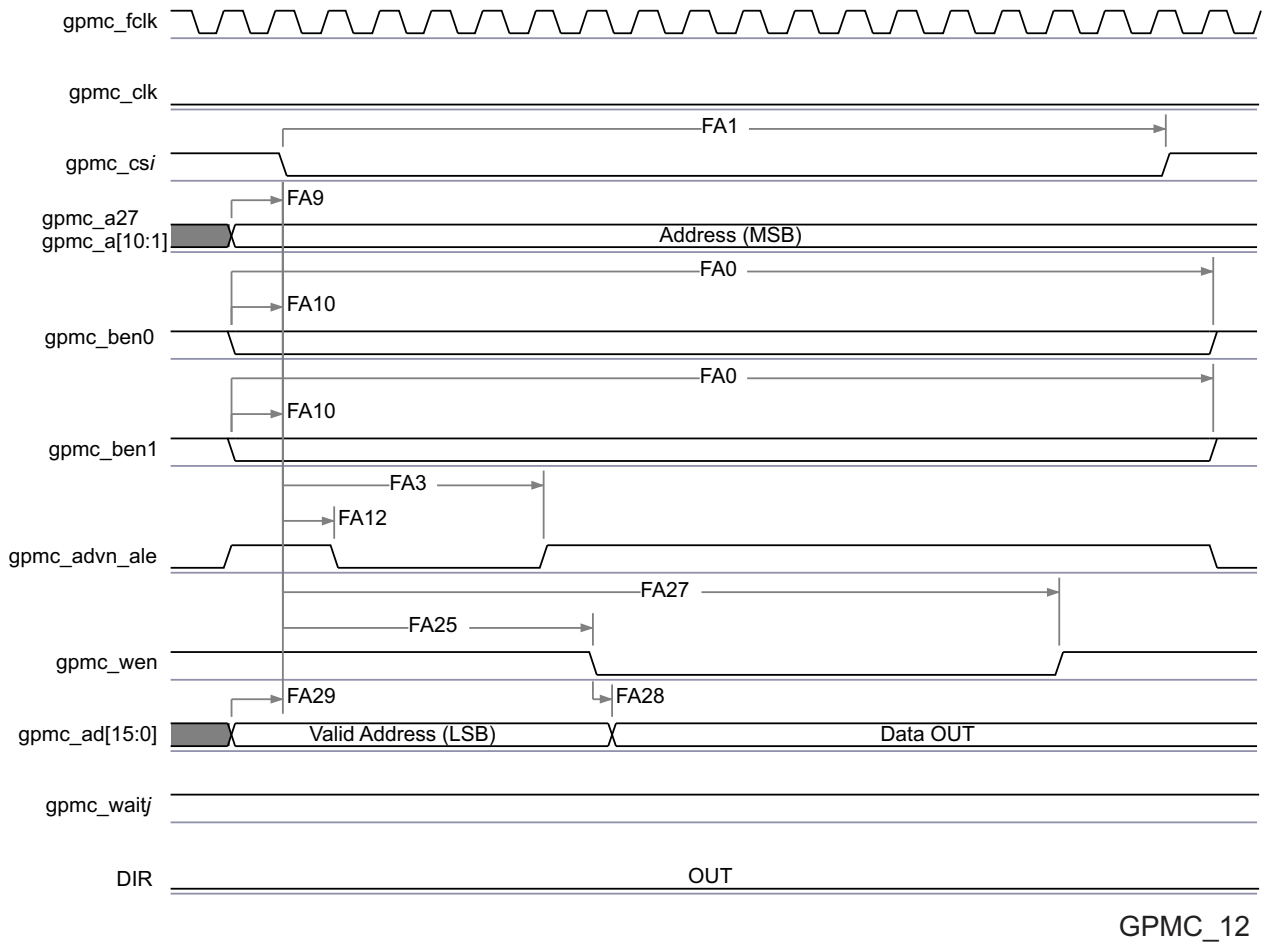


Figure 5-31. GPMC / Multiplexed NOR Flash - Asynchronous Write - Single Word Timing⁽¹⁾

- (1) In "gpmc_csi", i = 0 to 7. In "gpmc_waitj", j = 0 to 1.
- (2) The "DIR" (direction control) output signal is NOT pinned out on any of the device pads. It is an internal signal only representing a signal direction on the GPMC data bus.

5.10.6.8.3 GPMC/NAND Flash Interface Asynchronous Timing

CAUTION

The I/O Timings provided in this section are valid only for some GPMC usage modes when the corresponding Virtual I/O Timings or Manual I/O Timings are configured as described in the tables found in this section.

Table 5-54 and Table 5-55 assume testing over the recommended operating conditions and electrical characteristic conditions below (see Figure 5-32, Figure 5-33, Figure 5-34 and Figure 5-35).

Table 5-54. GPMC/NAND Flash Interface Timing Requirements

| NO. | PARAMETER | DESCRIPTION | MIN | MAX | UNIT |
|-------|--------------------------|---|-----|------------------|--------|
| GNF12 | t _{acc} (DAT) | Data maximum access time (GPMC_FCLK Cycles) | | J ⁽¹⁾ | cycles |
| - | t _{su} (DV-OEH) | Setup time, read gpmc_ad[15:0] valid before gpmc_oen_ren high | 1.9 | | ns |
| - | t _h (OEH-DV) | Hold time, read gpmc_ad[15:0] valid after gpmc_oen_ren high | 1 | | ns |

$$(1) J = \text{AccessTime} \times (\text{TimeParaGranularity} + 1)$$

Table 5-55. GPMC/NAND Flash Interface Switching Characteristics

| NO. | PARAMETER | DESCRIPTION | MIN | MAX | UNIT |
|-------|-----------------------------|--|-----------------------|-----------------------|------|
| - | $t_{r(\text{DO})}$ | Rising time, gpmc_ad[15:0] output data | 0.447 | 4.067 | ns |
| - | $t_{f(\text{DO})}$ | Falling time, gpmc_ad[15:0] output data | 0.43 | 4.463 | ns |
| GNF0 | $t_{w(\text{nWEV})}$ | Pulse duration, gpmc_wen valid time | | A ⁽¹⁾ | ns |
| GNF1 | $t_{d(\text{nCSV-nWEV})}$ | Delay time, gpmc_cs[7:0] valid to gpmc_wen valid | B - 2 ⁽²⁾ | B + 4 ⁽²⁾ | ns |
| GNF2 | $t_{d(\text{CLEH-nWEV})}$ | Delay time, gpmc_ben[1:0] high to gpmc_wen valid | C - 2 ⁽³⁾ | C + 4 ⁽³⁾ | ns |
| GNF3 | $t_{d(\text{nWEV-DV})}$ | Delay time, gpmc_ad[15:0] valid to gpmc_wen valid | D - 2 ⁽⁴⁾ | D + 4 ⁽⁴⁾ | ns |
| GNF4 | $t_{d(\text{nWEIV-DIV})}$ | Delay time, gpmc_wen invalid to gpmc_ad[15:0] invalid | E - 2 ⁽⁵⁾ | E + 4 ⁽⁵⁾ | ns |
| GNF5 | $t_{d(\text{nWEIV-CLEIV})}$ | Delay time, gpmc_wen invalid to gpmc_ben[1:0] invalid | F - 2 ⁽⁶⁾ | F + 4 ⁽⁶⁾ | ns |
| GNF6 | $t_{d(\text{nWEIV-nCSIV})}$ | Delay time, gpmc_wen invalid to gpmc_cs[7:0] invalid | G - 2 ⁽⁷⁾ | G + 4 ⁽⁷⁾ | ns |
| GNF7 | $t_{d(\text{ALEH-nWEV})}$ | Delay time, gpmc_advn_ale high to gpmc_wen valid | C - 2 ⁽³⁾ | C + 4 ⁽³⁾ | ns |
| GNF8 | $t_{d(\text{nWEIV-ALEIV})}$ | Delay time, gpmc_wen invalid to gpmc_advn_ale invalid | F - 2 ⁽⁶⁾ | F + 4 ⁽⁶⁾ | ns |
| GNF9 | $t_{c(\text{nWE})}$ | Cycle time, write cycle time | | H ⁽⁸⁾ | ns |
| GNF10 | $t_{d(\text{nCSV-nOEV})}$ | Delay time, gpmc_cs[7:0] valid to gpmc_oen_ren valid | I - 2 ⁽⁹⁾ | I + 4 ⁽⁹⁾ | ns |
| GNF13 | $t_{w(\text{nOEV})}$ | Pulse duration, gpmc_oen_ren valid time | | K ⁽¹⁰⁾ | ns |
| GNF14 | $t_{c(\text{nOE})}$ | Cycle time, read cycle time | | L ⁽¹¹⁾ | ns |
| GNF15 | $t_{d(\text{nOEIV-nCSIV})}$ | Delay time, gpmc_oen_ren invalid to gpmc_cs[7:0] invalid | M - 2 ⁽¹²⁾ | M + 4 ⁽¹²⁾ | ns |

$$(1) A = (\text{WEOffTime} - \text{WEOntime}) \times (\text{TimeParaGranularity} + 1) \times \text{GPMC_FCLK}$$

$$(2) B = ((\text{WEOntime} - \text{CSOnTime}) \times (\text{TimeParaGranularity} + 1) + 0.5 \times (\text{WEEExtraDelay} - \text{CSEExtraDelay})) \times \text{GPMC_FCLK}$$

$$(3) C = ((\text{WEOntime} - \text{ADVOnTime}) \times (\text{TimeParaGranularity} + 1) + 0.5 \times (\text{WEEExtraDelay} - \text{ADVExtraDelay})) \times \text{GPMC_FCLK}$$

$$(4) D = (\text{WEOntime} \times (\text{TimeParaGranularity} + 1) + 0.5 \times \text{WEEExtraDelay}) \times \text{GPMC_FCLK}$$

$$(5) E = (\text{WrCycleTime} - \text{WEOffTime} \times (\text{TimeParaGranularity} + 1) - 0.5 \times \text{WEEExtraDelay}) \times \text{GPMC_FCLK}$$

$$(6) F = (\text{ADVWrOffTime} - \text{WEOffTime} \times (\text{TimeParaGranularity} + 1) + 0.5 \times (\text{ADVExtraDelay} - \text{WEEExtraDelay})) \times \text{GPMC_FCLK}$$

$$(7) G = (\text{CSWrOffTime} - \text{WEOffTime} \times (\text{TimeParaGranularity} + 1) + 0.5 \times (\text{CSEExtraDelay} - \text{WEEExtraDelay})) \times \text{GPMC_FCLK}$$

$$(8) H = \text{WrCycleTime} \times (1 + \text{TimeParaGranularity}) \times \text{GPMC_FCLK}$$

$$(9) I = ((\text{OEOffTime} + (n - 1) \times \text{PageBurstAccessTime} - \text{CSOnTime}) \times (\text{TimeParaGranularity} + 1) + 0.5 \times (\text{OEEExtraDelay} - \text{CSEExtraDelay})) \times \text{GPMC_FCLK}$$

$$(10) K = (\text{OEOffTime} - \text{OEOntime}) \times (1 + \text{TimeParaGranularity}) \times \text{GPMC_FCLK}$$

$$(11) L = \text{RdCycleTime} \times (1 + \text{TimeParaGranularity}) \times \text{GPMC_FCLK}$$

$$(12) M = (\text{CSRdOffTime} - \text{OEOffTime} \times (\text{TimeParaGranularity} + 1) + 0.5 \times (\text{CSEExtraDelay} - \text{OEEExtraDelay})) \times \text{GPMC_FCLK}$$

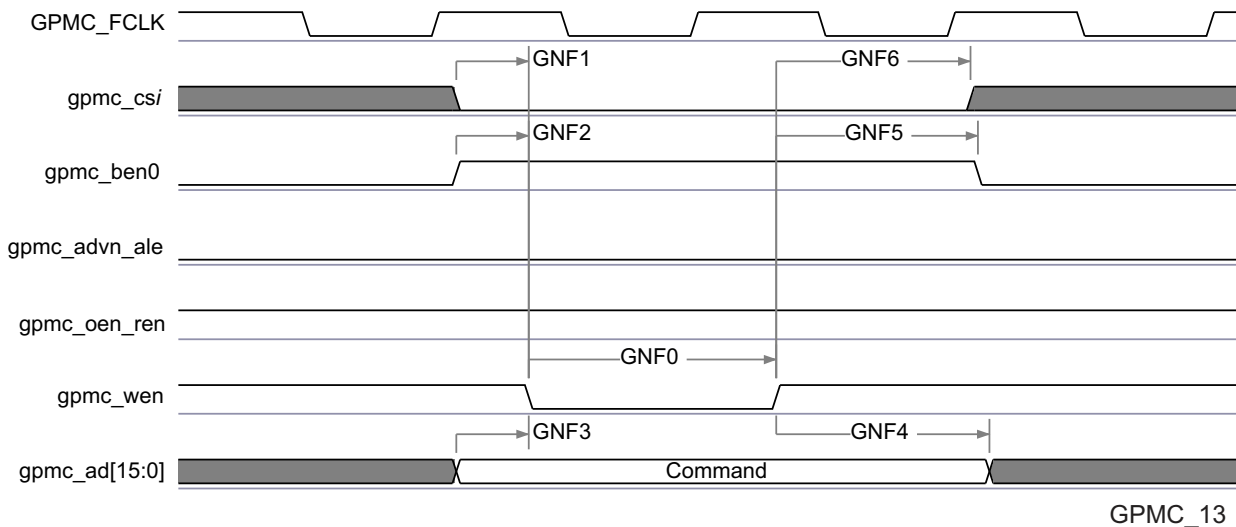


Figure 5-32. GPMC / NAND Flash - Command Latch Cycle Timing⁽¹⁾

(1) In gpmc_csi, i = 0 to 7.

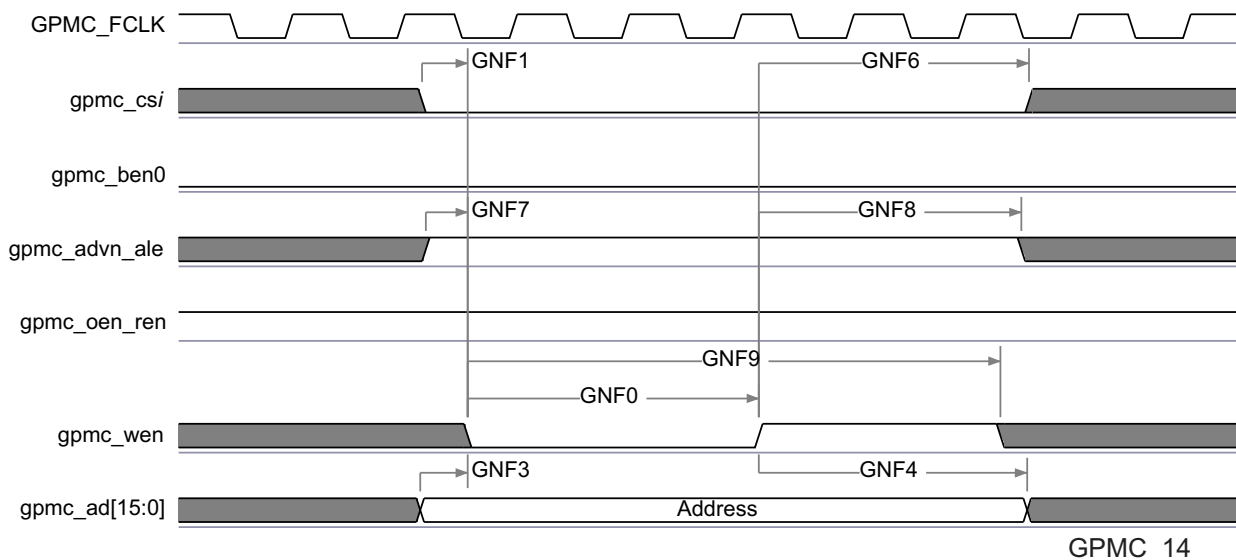


Figure 5-33. GPMC / NAND Flash - Address Latch Cycle Timing⁽¹⁾

(1) In gpmc_csi, i = 0 to 7.

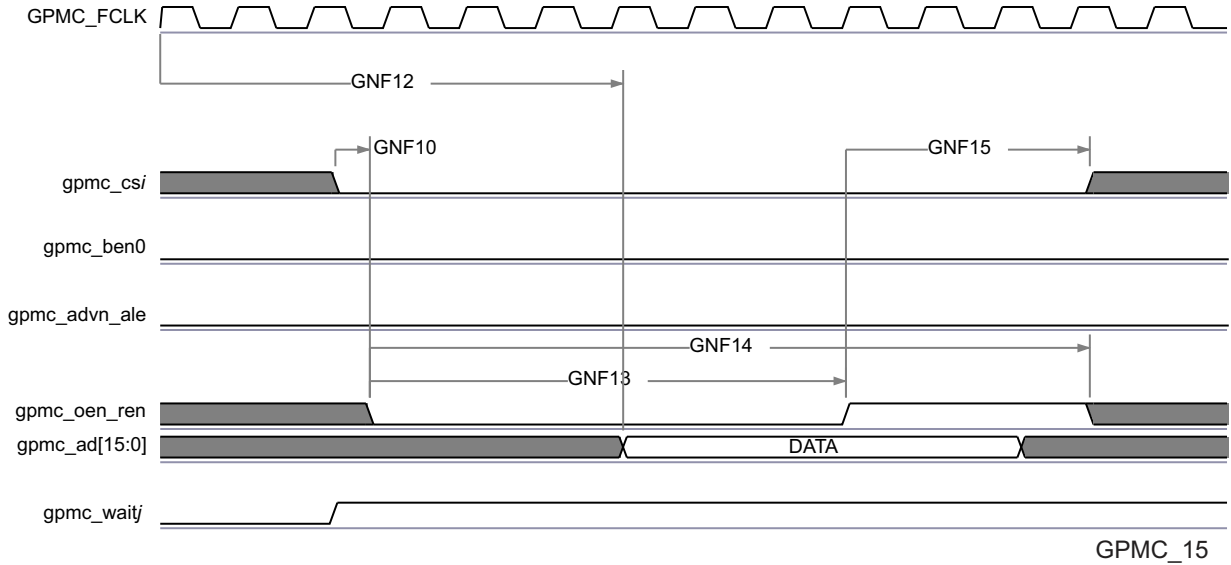


Figure 5-34. GPMC / NAND Flash - Data Read Cycle Timing⁽¹⁾⁽²⁾⁽³⁾

- (1) GNF12 parameter illustrates amount of time required to internally sample input Data. It is expressed in number of GPMC functional clock cycles. From start of read cycle and after GNF12 functional clock cycles, input data will be internally sampled by active functional clock edge. GNF12 value must be stored inside AccessTime register bits field.
- (2) GPMC_FCLK is an internal clock (GPMC functional clock) not provided externally.
- (3) In gpmc_csi, i = 0 to 7. In gpmc_waitj, j = 0 to 1.

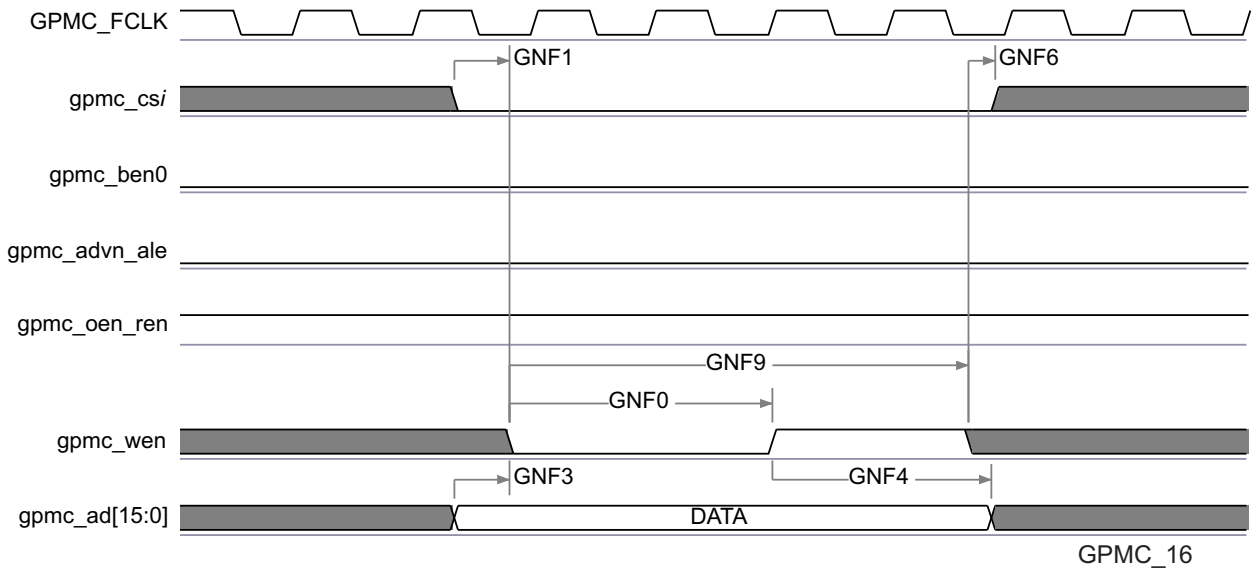


Figure 5-35. GPMC / NAND Flash - Data Write Cycle Timing⁽¹⁾

- (1) In gpmc_csi, i = 0 to 7.

NOTE

To configure the desired virtual mode the user must set MODESELECT bit and DELAYMODE bitfield for each corresponding pad control register.

The pad control registers are presented in [Table 4-31](#) and described in Device TRM, *Control Module Chapter*.

Virtual IO Timings Modes must be used to ensure some IO timings for GPMC. See [Table 5-30 Modes Summary](#) for a list of IO timings requiring the use of Virtual IO Timings Modes. See [Table 5-56 Virtual Functions Mapping for GPMC](#) for a definition of the Virtual modes.

[Table 5-56](#) presents the values for DELAYMODE bitfield.

Table 5-56. Virtual Functions Mapping for GPMC

| BALL | BALL NAME | Delay Mode Value | MUXMODE | | | | | | | | |
|------|-------------------|------------------|-------------------|----------|---|----------|------------|---------|----------|-------------------|-------------------|
| | | | GPMC_VIRTUAL1 | 0 | 1 | 2 | 3 | 5 | 6 | 14 ⁽¹⁾ | 14 ⁽¹⁾ |
| H5 | gpmc_advn_al e | 15 | gpmc_advn_al e | gpmc_cs6 | | | gpmc_wait1 | gpmc_a2 | gpmc_a23 | | |
| B4 | gpmc_ad15 | 13 | gpmc_ad15 | | | | | | | | |
| B1 | gpmc_ad6 | 13 | gpmc_ad6 | | | | | | | | |
| E1 | gpmc_ad2 | 13 | gpmc_ad2 | | | | | | | | |
| E10 | vin2a_d9 | 9 | | | | | | | | gpmc_a25 | |
| G6 | gpmc_wen | 15 | gpmc_wen | | | | | | | | |
| A3 | gpmc_ad14 | 13 | gpmc_ad14 | | | | | | | | |
| H3 | gpmc_a13 | 15 | gpmc_a13 | | | | | | | | |
| K4 | gpmc_a8 | 14 | gpmc_a8 | | | | | | | | |
| H4 | gpmc_a14 | 15 | gpmc_a14 | | | | | | | | |
| D1 | gpmc_ad4 | 13 | gpmc_ad4 | | | | | | | | |
| A5 | gpmc_a26 | 15 | gpmc_a26 | | | gpmc_a20 | | | | | |
| F1 | gpmc_ad0 | 13 | gpmc_ad0 | | | | | | | | |
| F6 | gpmc_wait0 | 15 | gpmc_wait0 | | | | | | | | |
| C10 | vin2a_d11 | 9 | | | | | | | | gpmc_a23 | |
| E2 | gpmc_ad1 | 13 | gpmc_ad1 | | | | | | | | |
| C4 | gpmc_ad13 | 13 | gpmc_ad13 | | | | | | | | |
| L2 | gpmc_a2 | 14 | gpmc_a2 | | | | | | | | |
| D2 | gpmc_ad5 | 13 | gpmc_ad5 | | | | | | | | |
| B10 | vin2a_d8 | 9 | | | | | | | | gpmc_a26 | |
| F3 | gpmc_cs0 | 15 | gpmc_cs0 | | | | | | | | |
| E8 | vin2a_hsync0 | 9 | | | | | | | | gpmc_a27 | |
| K3 | gpmc_a4 | 14 | gpmc_a4 | | | | | | | | |
| H2 | gpmc_ben0 | 15 | gpmc_ben0 | gpmc_cs4 | | | | | | | |
| J1 | gpmc_a6 | 14 | gpmc_a6 | | | | | | | | |
| K6 | gpmc_a15 | 15 | gpmc_a15 | | | | | | | | |
| B3 | gpmc_ad11 | 13 | gpmc_ad11 | | | | | | | | |

Table 5-56. Virtual Functions Mapping for GPMC (continued)

| BALL | BALL NAME | Delay Mode Value | MUXMODE | | | | | | | | | |
|------|--------------|------------------|---------------|----------|---|----------|------------|---------|---|-------------------|-------------------|--|
| | | | GPMC_VIRTUAL1 | 0 | 1 | 2 | 3 | 5 | 6 | 14 ⁽¹⁾ | 14 ⁽¹⁾ | |
| K5 | gpmc_a16 | 15 | gpmc_a16 | | | | | | | | | |
| M2 | gpmc_a1 | 14 | gpmc_a1 | | | | | | | | | |
| D7 | gpmc_a24 | 15 | gpmc_a24 | | | gpmc_a18 | | | | | | |
| B5 | gpmc_a23 | 15 | gpmc_a23 | | | gpmc_a17 | | | | | | |
| C2 | gpmc_ad8 | 13 | gpmc_ad8 | | | | | | | | | |
| A2 | gpmc_ad10 | 13 | gpmc_ad10 | | | | | | | | | |
| C3 | gpmc_ad12 | 13 | gpmc_ad12 | | | | | | | | | |
| E7 | gpmc_a20 | 15 | gpmc_a20 | | | gpmc_a14 | | | | | | |
| D10 | vin2a_d10 | 9 | | | | | | | | gpmc_a24 | | |
| G3 | gpmc_cs3 | 14 | gpmc_cs3 | | | | | gpmc_a1 | | | | |
| G5 | gpmc_oen_ren | 15 | gpmc_oen_ren | | | | | | | | | |
| H1 | gpmc_a9 | 14 | gpmc_a9 | | | | | | | | | |
| A6 | gpmc_cs1 | 15 | gpmc_cs1 | | | gpmc_a22 | | | | | | |
| C1 | gpmc_ad3 | 13 | gpmc_ad3 | | | | | | | | | |
| B2 | gpmc_ad7 | 13 | gpmc_ad7 | | | | | | | | | |
| K1 | gpmc_a7 | 14 | gpmc_a7 | | | | | | | | | |
| L1 | gpmc_a3 | 14 | gpmc_a3 | | | | | | | | | |
| H6 | gpmc_ben1 | 15 | gpmc_ben1 | gpmc_cs5 | | | | gpmc_a3 | | | | |
| L4 | gpmc_clk | 15 | gpmc_clk | gpmc_cs7 | | | gpmc_wait1 | | | | | |
| C5 | gpmc_a22 | 15 | gpmc_a22 | | | gpmc_a16 | | | | | | |
| G4 | gpmc_cs2 | 15 | gpmc_cs2 | | | | | | | | | |
| C7 | vin2a_fld0 | 11 | | | | | | | | gpmc_a27 | gpmc_a18 | |
| J2 | gpmc_a10 | 14 | gpmc_a10 | | | | | | | | | |
| G1 | gpmc_a12 | 15 | gpmc_a12 | | | | | gpmc_a0 | | | | |
| G2 | gpmc_a17 | 15 | gpmc_a17 | | | | | | | | | |
| K2 | gpmc_a5 | 14 | gpmc_a5 | | | | | | | | | |
| D6 | gpmc_a21 | 15 | gpmc_a21 | | | gpmc_a15 | | | | | | |
| B6 | gpmc_a27 | 15 | gpmc_a27 | | | gpmc_a21 | | | | | | |
| D3 | gpmc_ad9 | 13 | gpmc_ad9 | | | | | | | | | |
| A4 | gpmc_a19 | 15 | gpmc_a19 | | | gpmc_a13 | | | | | | |
| C6 | gpmc_a25 | 15 | gpmc_a25 | | | gpmc_a19 | | | | | | |
| M1 | gpmc_a0 | 14 | gpmc_a0 | | | | | | | | | |

Table 5-56. Virtual Functions Mapping for GPMC (continued)

| BALL | BALL NAME | Delay Mode Value GPMC_VIRTUAL1 | MUXMODE | | | | | | | | |
|------|------------|-----------------------------------|----------|---|---|---|---|---|-------------------|-------------------|----------|
| | | | 0 | 1 | 2 | 3 | 5 | 6 | 14 ⁽¹⁾ | 14 ⁽¹⁾ | |
| D8 | vin2a_clk0 | 11 | | | | | | | | gpmc_a27 | gpmc_a17 |
| F2 | gpmc_a18 | 15 | gpmc_a18 | | | | | | | | |
| L3 | gpmc_a11 | 14 | gpmc_a11 | | | | | | | | |

- (1) Some signals listed are virtual functions that present alternate multiplexing options. These virtual functions are controlled via CTRL_CORE_ALT_SELECT_MUX or CTRL_CORE_VIP_MUX_SELECT registers. For more information on how to use these options, please refer to Device TRM, Chapter Control Module, Section Pad Configuration Registers.

5.10.6.9 Timers

The device has 16 general-purpose (GP) timers (TIMER1 - TIMER16), two watchdog timers, and a 32-kHz synchronized timer (COUNTER_32K) that have the following features:

- Dedicated input trigger for capture mode and dedicated output trigger/pulse width modulation (PWM) signal
- Interrupts generated on overflow, compare, and capture
- Free-running 32-bit upward counter
- Supported modes:
 - Compare and capture modes
 - Auto-reload mode
 - Start-stop mode
- On-the-fly read/write register (while counting)

The device has two system watchdog timer (WD_TIMER1 and WD_TIMER2) that have the following features:

- Free-running 32-bit upward counter
- On-the-fly read/write register (while counting)
- Reset upon occurrence of a timer overflow condition

The device includes one instance of the 32-bit watchdog timer: WD_TIMER2, also called the MPU watchdog timer.

The watchdog timer is used to provide a recovery mechanism for the device in the event of a fault condition, such as a non-exiting code loop.

In are presented the specific groupings of signals (IOSET) for use with TIMERS.

NOTE

For additional information on the Timer Module, see the Device TRM.

5.10.6.10 I2C

The device includes 5 inter-integrated circuit (I2C) modules which provide an interface to other devices compliant with Philips Semiconductors Inter-IC bus (I2C-bus™) specification version 2.1. External components attached to this 2-wire serial bus can transmit/receive 8-bit data to/from the device through the I2C module.

NOTE

Note that, on I2C1 and I2C2, due to characteristics of the open drain IO cells, HS mode is not supported.

NOTE

Inter-integrated circuit i (i=1 to 5) module is also referred to as I2Ci.

NOTE

For more information, see the Multimaster High-Speed I2C Controller section of the Device TRM.

Table 5-57, Table 5-58 and Figure 5-36 assume testing over the recommended operating conditions and electrical characteristic conditions below.

Table 5-57. Timing Requirements for I2C Input Timings⁽¹⁾

| NO. | PARAMETER | DESCRIPTION | STANDARD MODE | | FAST MODE | | UNIT |
|-----|----------------------|---|------------------|---------------------|------------------------------|--------------------|---------|
| | | | MIN | MAX | MIN | MAX | |
| 1 | $t_{c(SCL)}$ | Cycle time, SCL | 10 | | 2.5 | | μ s |
| 2 | $t_{su(SCLH-SDAL)}$ | Setup time, SCL high before SDA low (for a repeated START condition) | 4.7 | | 0.6 | | μ s |
| 3 | $t_{h(SDAL-SCLL)}$ | Hold time, SCL low after SDA low (for a START and a repeated START condition) | 4 | | 0.6 | | μ s |
| 4 | $t_{w(SCLL)}$ | Pulse duration, SCL low | 4.7 | | 1.3 | | μ s |
| 5 | $t_{w(SCLH)}$ | Pulse duration, SCL high | 4 | | 0.6 | | μ s |
| 6 | $t_{su(SDAV-SCLH)}$ | Setup time, SDA valid before SCL high | 250 | | 100 ⁽²⁾ | | ns |
| 7 | $t_{h(SCLL-SDAV)}$ | Hold time, SDA valid after SCL low | 0 ⁽³⁾ | 3.45 ⁽⁴⁾ | 0 ⁽³⁾ | 0.9 ⁽⁴⁾ | μ s |
| 8 | $t_{w(SDAH)}$ | Pulse duration, SDA high between STOP and START conditions | 4.7 | | 1.3 | | μ s |
| 9 | $t_{r(SDA)}$ | Rise time, SDA | | 1000 | $20 + 0.1C_b$ ⁽⁵⁾ | 300 ⁽³⁾ | ns |
| 10 | $t_{r(SCL)}$ | Rise time, SCL | | 1000 | $20 + 0.1C_b$ ⁽⁵⁾ | 300 ⁽³⁾ | ns |
| 11 | $t_{f(SDA)}$ | Fall time, SDA | | 300 | $20 + 0.1C_b$ ⁽⁵⁾ | 300 ⁽³⁾ | ns |
| 12 | $t_{f(SCL)}$ | Fall time, SCL | | 300 | $20 + 0.1C_b$ ⁽⁵⁾ | 300 ⁽³⁾ | ns |
| 13 | $t_{su(SCLH-SDAH)}$ | Setup time, SCL high before SDA high (for STOP condition) | 4 | | 0.6 | | μ s |
| 14 | $t_{w(SP)}$ | Pulse duration, spike (must be suppressed) | | | 0 | 50 | ns |
| 15 | C_b ⁽⁵⁾ | Capacitive load for each bus line | | 400 | | 400 | pF |

- (1) The I2C pins SDA and SCL do not feature fail-safe I/O buffers. These pins could potentially draw current when the device is powered down.
- (2) A Fast-mode I²C-bus™ device can be used in a Standard-mode I²C-bus system, but the requirement $t_{su(SDA-SCLH)} \geq 250$ ns must then be met. This will automatically be the case if the device does not stretch the LOW period of the SCL signal. If such a device does stretch the LOW period of the SCL signal, it must output the next data bit to the SDA line $t_r \text{ max} + t_{su(SDA-SCLH)} = 1000 + 250 = 1250$ ns (according to the Standard-mode I²C-Bus Specification) before the SCL line is released.
- (3) A device must internally provide a hold time of at least 300 ns for the SDA signal (referred to the V_{IHmin} of the SCL signal) to bridge the undefined region of the falling edge of SCL.
- (4) The maximum $t_{h(SDA-SCLL)}$ has only to be met if the device does not stretch the low period [$t_{w(SCLL)}$] of the SCL signal.
- (5) C_b = total capacitance of one bus line in pF. If mixed with HS-mode devices, faster fall-times are allowed.

Table 5-58. Timing Requirements for I²C HS-Mode (I²C3/4/5 Only)⁽¹⁾

| NO. | PARAMETER | DESCRIPTION | $C_b = 100$ pF MAX | | $C_b = 400$ pF ⁽²⁾ | | UNIT |
|-----|---------------------|---|--------------------|-----|-------------------------------|-----|---------|
| | | | MIN | MAX | MIN | MAX | |
| 1 | $t_{c(SCL)}$ | Cycle time, SCL | 0.294 | | 0.588 | | μ s |
| 2 | $t_{su(SCLH-SDAL)}$ | Set-up time, SCL high before SDA low (for a repeated START condition) | 160 | | 160 | | ns |
| 3 | $t_{h(SDAL-SCLL)}$ | Hold time, SCL low after SDA low (for a repeated START condition) | 160 | | 160 | | ns |

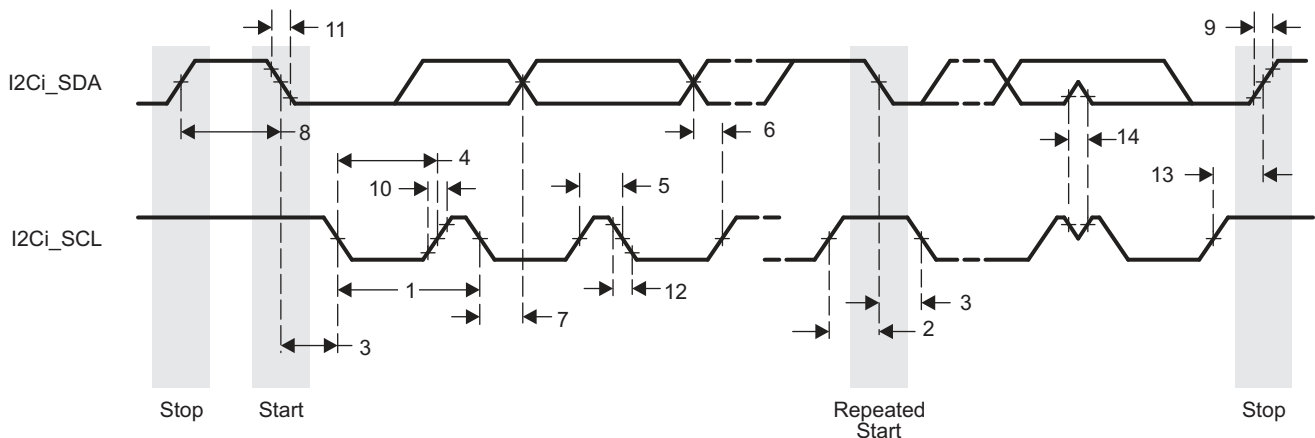
Table 5-58. Timing Requirements for I²C HS-Mode (I²C3/4/5 Only)⁽¹⁾ (continued)

| NO. | PARAMETER | DESCRIPTION | C _b = 100 pF MAX | | C _b = 400 pF ⁽²⁾ | | UNIT |
|-----|-------------------------------|---|-----------------------------|-----|--|-----|------|
| | | | MIN | MAX | MIN | MAX | |
| 4 | t _w (SCLL) | LOW period of the SCLH clock | 160 | | 320 | | ns |
| 5 | t _w (SCLH) | HIGH period of the SCLH clock | 60 | | 120 | | ns |
| 6 | t _{su} (SDAV-SCLH) | Setup time, SDA valid before SCL high | 10 | | 10 | | ns |
| 7 | t _h (SCLL-SDAV) | Hold time, SDA valid after SCL low | 0 ⁽³⁾ | 70 | 0 ⁽³⁾ | 150 | ns |
| 13 | t _{su} (SCLH-SDAH) | Setup time, SCL high before SDA high (for a STOP condition) | 160 | | 160 | | ns |
| 14 | t _w (SP) | Pulse duration, spike (must be suppressed) | 0 | 10 | 0 | 10 | ns |
| 15 | C _b ⁽²⁾ | Capacitive load for SDAH and SCLH lines | | 100 | | 400 | pF |
| 16 | C _b | Capacitive load for SDAH + SDA line and SCLH + SCL line | | 400 | | 400 | pF |

(1) I²C HS-Mode is only supported on I²C3/4/5. I²C HS-Mode is not supported on I²C1/2.

(2) For bus line loads C_b between 100 and 400 pF the timing parameters must be linearly interpolated.

(3) A device must internally provide a Data hold time to bridge the undefined part between V_{IH} and V_{IL} of the falling edge of the SCLH signal. An input circuit with a threshold as low as possible for the falling edge of the SCLH signal minimizes this hold time.



SPRS906_TIMING_I2C_01

Figure 5-36. I2C Receive Timing

Table 5-59 and Figure 5-37 assume testing over the recommended operating conditions and electrical characteristic conditions below.

Table 5-59. Switching Characteristics Over Recommended Operating Conditions for I2C Output Timings⁽²⁾

| NO. | PARAMETER | DESCRIPTION | STANDARD MODE | | FAST MODE | | UNIT |
|-----|-----------------------------|---|---------------|-----|-----------|-----|------|
| | | | MIN | MAX | MIN | MAX | |
| 16 | t _c (SCL) | Cycle time, SCL | 10 | | 2.5 | | μs |
| 17 | t _{su} (SCLH-SDAL) | Setup time, SCL high before SDA low (for a repeated START condition) | 4.7 | | 0.6 | | μs |
| 18 | t _h (SDAL-SCLL) | Hold time, SCL low after SDA low (for a START and a repeated START condition) | 4 | | 0.6 | | μs |
| 19 | t _w (SCLL) | Pulse duration, SCL low | 4.7 | | 1.3 | | μs |
| 20 | t _w (SCLH) | Pulse duration, SCL high | 4 | | 0.6 | | μs |
| 21 | t _{su} (SDAV-SCLH) | Setup time, SDA valid before SCL high | 250 | | 100 | | ns |

Table 5-59. Switching Characteristics Over Recommended Operating Conditions for I2C Output Timings⁽²⁾ (continued)

| NO. | PARAMETER | DESCRIPTION | STANDARD MODE | | FAST MODE | | UNIT |
|-----|---------------------|--|---------------|------|------------------------|-------------|---------|
| | | | MIN | MAX | MIN | MAX | |
| 22 | $t_{h(SCLL-SDAV)}$ | Hold time, SDA valid after SCL low (for I2C bus devices) | 0 | 3.45 | 0 | 0.9 | μ s |
| 23 | $t_{w(SDAH)}$ | Pulse duration, SDA high between STOP and START conditions | 4.7 | | 1.3 | | μ s |
| 24 | $t_{r(SDA)}$ | Rise time, SDA | | 1000 | $20 + 0.1C_b^{(1)(3)}$ | $300^{(3)}$ | ns |
| 25 | $t_{r(SCL)}$ | Rise time, SCL | | 1000 | $20 + 0.1C_b^{(1)(3)}$ | $300^{(3)}$ | ns |
| 26 | $t_{f(SDA)}$ | Fall time, SDA | | 300 | $20 + 0.1C_b^{(1)(3)}$ | $300^{(3)}$ | ns |
| 27 | $t_{f(SCL)}$ | Fall time, SCL | | 300 | $20 + 0.1C_b^{(1)(3)}$ | $300^{(3)}$ | ns |
| 28 | $t_{su(SCLH-SDAH)}$ | Setup time, SCL high before SDA high (for STOP condition) | 4 | | 0.6 | | μ s |
| 29 | C_p | Capacitance for each I2C pin | | 10 | | 10 | pF |

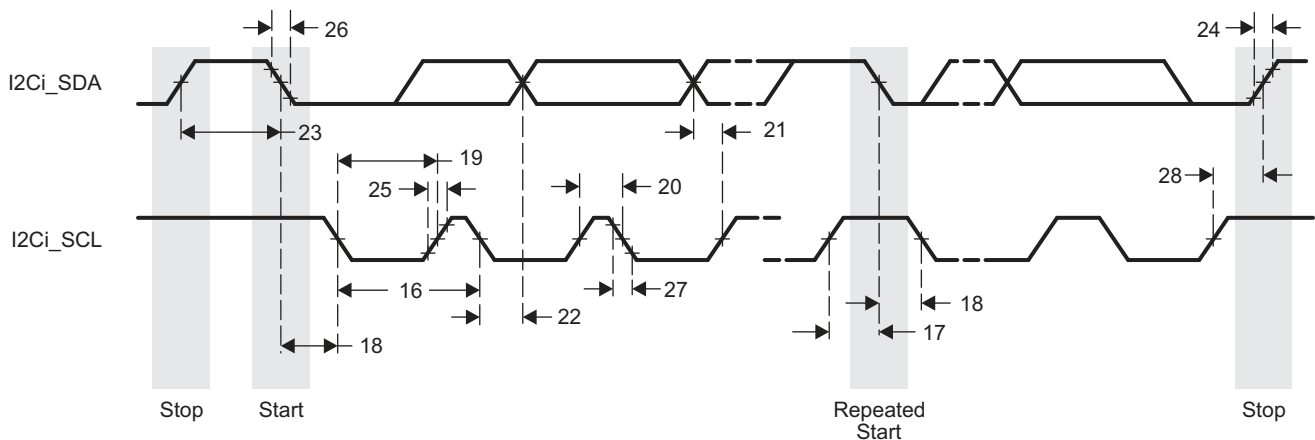
(1) C_b = total capacitance of one bus line in pF. If mixed with HS-mode devices, faster fall-times are allowed.

(2) Software must properly configure the I2C module registers to achieve the timings shown in this table. See the Device TRM for details.

(3) These timings apply only to I2C1 and I2C2. I2C3, I2C4, and I2C5 use standard LVCMOS buffers to emulate open-drain buffers and their rise/fall times should be referenced in the device IBIS model.

NOTE

I2C emulation is achieved by configuring the LVCMOS buffers to output Hi-Z instead of driving high when transmitting logic-1.



SPRS906_TIMING_I2C_02

Figure 5-37. I2C Transmit Timing

5.10.6.11 HDQ1W

The module is intended to work with both HDQ and 1-Wire protocols. The protocols use a single wire to communicate between the master and the slave. The protocols employ an asynchronous return to one mechanism where, after any command, the line is pulled high.

NOTE

For more information, see the HDQ / 1-Wire section of the Device TRM.

5.10.6.11.1 HDQ / 1-Wire — HDQ Mode

Table 5-60 and Table 5-61 assume testing over the recommended operating conditions and electrical characteristic conditions below (see Figure 5-38, Figure 5-39, Figure 5-40 and Figure 5-41).

Table 5-60. HDQ/1-Wire Timing Requirements—HDQ Mode

| NO. | PARAMETER | DESCRIPTION | MIN | MAX | UNIT |
|-----|------------|--|-------------------|--------------------|---------|
| 1 | t_{CYCH} | Read bit window timing | 190 | 250 | μs |
| 2 | t_{HW1} | Read one data valid after HDQ low | 32 ⁽²⁾ | 66 ⁽²⁾ | μs |
| 3 | t_{HW0} | Read zero data hold after HDQ low | 70 ⁽²⁾ | 145 ⁽²⁾ | μs |
| 4 | t_{RSPS} | Response time from HDQ slave device ⁽¹⁾ | 190 | 320 | μs |

(1) Defined by software.

(2) If the HDQ slave device drives a logic-low state after t_{HW0} maximum, it can be interpreted as a break pulse. For more information see "HDQ / 1-Wire Switching Characteristics - HDQ Mode" and the HDQ/1-Wire chapter of the TRM.

Table 5-61. HDQ / 1-Wire Switching Characteristics - HDQ Mode

| NO. | PARAMETER | DESCRIPTION | MIN | MAX | UNIT |
|-----|------------|------------------------------------|-----|-----|---------|
| 5 | t_B | Break timing | 190 | | μs |
| 6 | t_{BR} | Break recovery time | 40 | | μs |
| 7 | t_{CYCD} | Write bit windows timing | 190 | | μs |
| 8 | t_{DW1} | Write one data valid after HDQ low | 0.5 | 50 | μs |
| 9 | t_{DW0} | Write zero data hold after HDQ low | 86 | 145 | μs |

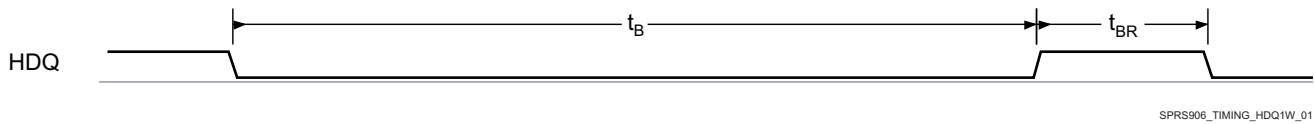


Figure 5-38. HDQ Break and Break Recovery Timing — HDQ Interface Writing to Slave

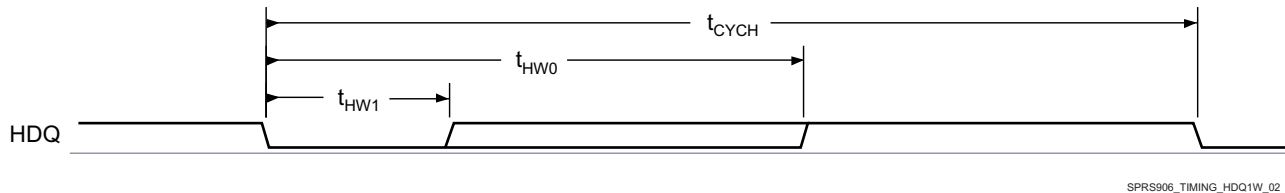


Figure 5-39. Device HDQ Interface Bit Read Timing (Data)

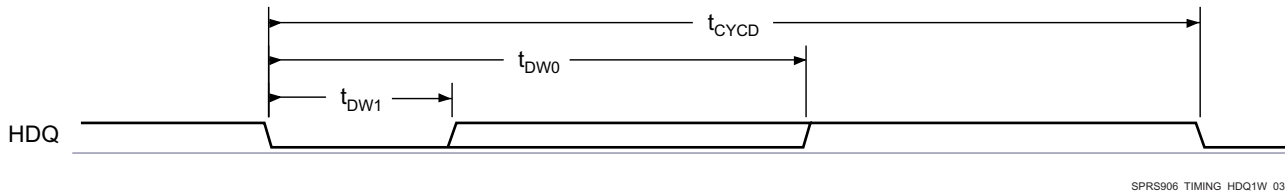


Figure 5-40. Device HDQ Interface Bit Write Timing (Command / Address or Data)

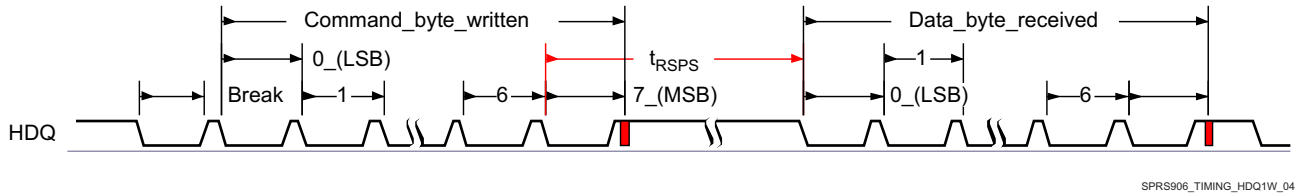


Figure 5-41. HDQ Communication Timing

5.10.6.11.2 HDQ/1-Wire—1-Wire Mode

Table 5-62 and Table 5-63 assume testing over the recommended operating conditions and electrical characteristic conditions below (see Figure 5-42, Figure 5-43 and Figure 5-44).

Table 5-62. HDQ / 1-Wire Timing Requirements - 1-Wire Mode

| NO. | PARAMETER | DESCRIPTION | MIN | MAX | UNIT |
|-----|-----------|---------------------------|------------|-----|---------|
| 10 | t_{PDH} | Presence pulse delay high | 15 | 60 | μs |
| 11 | t_{PDL} | Presence pulse delay low | 60 | 240 | μs |
| 12 | t_{RDV} | Read data valid time | t_{LOWR} | 15 | μs |
| 13 | t_{REL} | Read data release time | 0 | 45 | μs |

Table 5-63. HDQ / 1-Wire Switching Characteristics - 1-Wire Mode

| NO. | PARAMETER | DESCRIPTION | MIN | MAX | UNIT |
|-----|------------|-------------------------------------|-----|-----|---------|
| 14 | t_{RSTL} | Reset time low | 480 | 960 | μs |
| 15 | t_{RSTH} | Reset time high | 480 | | μs |
| 16 | t_{SLOT} | Bit cycle time | 60 | 120 | μs |
| 17 | t_{LOW1} | Write bit-one time | 1 | 15 | μs |
| 18 | t_{LOW0} | Write bit-zero time ⁽²⁾ | 60 | 120 | μs |
| 19 | t_{REC} | Recovery time | 1 | | μs |
| 20 | t_{LOWR} | Read bit strobe time ⁽¹⁾ | 1 | 15 | μs |

(1) t_{LOWR} (low pulse sent by the master) must be short as possible to maximize the master sampling window.

(2) t_{LOWR} must be less than t_{SLOT} .

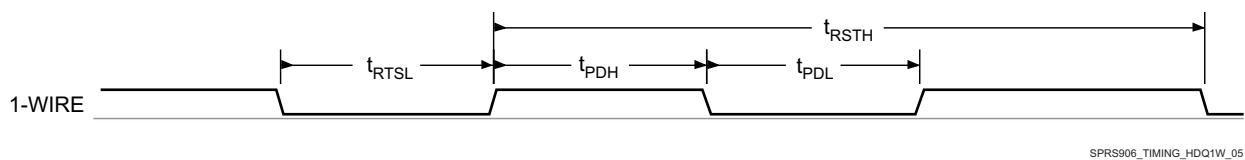


Figure 5-42. 1-Wire—Break (Reset)

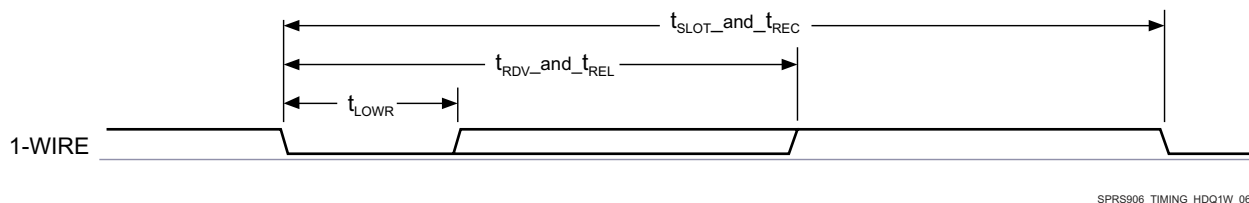
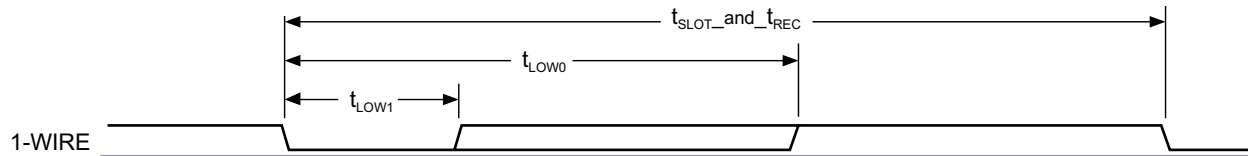


Figure 5-43. 1-Wire—Read Bit (Data)



SPRS906_TIMING_HDQ1W_07

Figure 5-44. 1-Wire—Write Bit-One Timing (Command / Address or Data)

5.10.6.12 UART

The UART performs serial-to-parallel conversions on data received from a peripheral device and parallel-to-serial conversion on data received from the CPU. There are 10 UART modules in the device. Only one UART supports IrDA features. Each UART can be used for configuration and data exchange with a number of external peripheral devices or interprocessor communication between devices

The UART_i (where $i = 1$ to 10) include the following features:

- 16C750 compatibility
- 64-byte FIFO buffer for receiver and 64-byte FIFO for transmitter
- Baud generation based on programmable divisors N (where $N = 1 \dots 16\ 384$) operating from a fixed functional clock of 48 MHz or 192 MHz
- Break character detection and generation
- Configurable data format:
 - Data bit: 5, 6, 7, or 8 bits
 - Parity bit: Even, odd, none
 - Stop-bit: 1, 1.5, 2 bit(s)
- Flow control: Hardware (RTS/CTS) or software (XON/XOFF)
- Only UART1 module has extended modem control signals (CD, RI, DTR, DSR)
- Only UART3 supports IrDA

NOTE

For more information, see the UART section of the Device TRM.

Table 5-64, Table 5-65 and Figure 5-45 assume testing over the recommended operating conditions and electrical characteristic conditions below.

Table 5-64. Timing Requirements for UART

| NO. | PARAMETER | DESCRIPTION | MIN | MAX | UNIT |
|-----|-----------------|---|----------------------|----------------------|------|
| 4 | $t_{w(RX)}$ | Pulse width, receive data bit, 15/30/100pF high or low | 0.96U ⁽¹⁾ | 1.05U ⁽¹⁾ | ns |
| 5 | $t_{w(CTS)}$ | Pulse width, receive start bit, 15/30/100pF high or low | 0.96U ⁽¹⁾ | 1.05U ⁽¹⁾ | ns |
| | $t_{d(RTS-TX)}$ | Delay time, transmit start bit to transmit data | P ⁽²⁾ | | ns |
| | $t_{d(CTS-TX)}$ | Delay time, receive start bit to transmit data | P ⁽²⁾ | | ns |

(1) U = UART baud time = 1/programmed baud rate

(2) P = Clock period of the reference clock (FCLK, usually 48 MHz or 192MHz).

Table 5-65. Switching Characteristics Over Recommended Operating Conditions for UART

| NO. | PARAMETER | DESCRIPTION | MIN | MAX | UNIT |
|-----|--------------|--|----------------------|----------------------|------|
| | $f_{(baud)}$ | Maximum programmable baud rate | | 15 pF | MHz |
| | | | | 30 pF | |
| | | | | 100 pF | |
| 2 | $t_{w(TX)}$ | Pulse width, transmit data bit, 15/30/100 pF high or low | U - 2 ⁽¹⁾ | U + 2 ⁽¹⁾ | ns |

Table 5-65. Switching Characteristics Over Recommended Operating Conditions for UART (continued)

| NO. | PARAMETER | DESCRIPTION | MIN | MAX | UNIT |
|-----|--------------|---|---------------|---------------|------|
| 3 | $t_{w(RTS)}$ | Pulse width, transmit start bit, 15/30/100 pF high or low | $U - 2^{(1)}$ | $U + 2^{(1)}$ | ns |

(1) U = UART baud time = 1/programmed baud rate

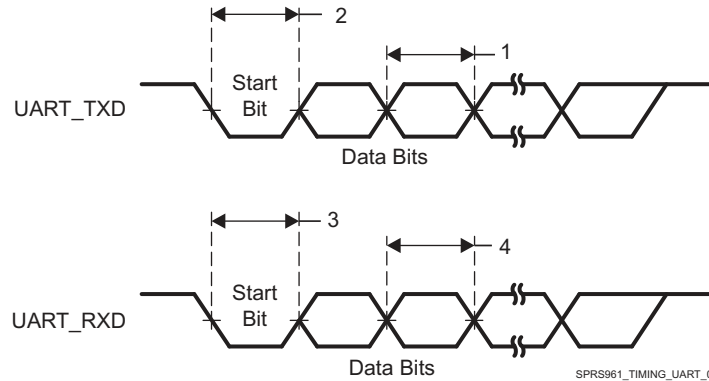


Figure 5-45. UART Timing

In are presented the specific groupings of signals (IOSET) for use with UART.

5.10.6.13 McSPI

The McSPI is a master/slave synchronous serial bus. There are four separate McSPI modules (SPI1, SPI2, SPI3, and SPI4) in the device. All these four modules support up to four external devices (four chip selects) and are able to work as both master and slave.

The McSPI modules include the following main features:

- Serial clock with programmable frequency, polarity, and phase for each channel
- Wide selection of SPI word lengths, ranging from 4 to 32 bits
- Up to four master channels, or single channel in slave mode
- Master multichannel mode:
 - Full duplex/half duplex
 - Transmit-only/receive-only/transmit-and-receive modes
 - Flexible input/output (I/O) port controls per channel
 - Programmable clock granularity
 - SPI configuration per channel. This means, clock definition, polarity enabling and word width
- Power management through wake-up capabilities
- Programmable timing control between chip select and external clock generation
- Built-in FIFO available for a single channel.
- Each SPI module supports multiple chip select pins $spim_cs[i]$, where $i = 1$ to 4.

NOTE

For more information, see the Serial Communication Interface section of the Device TRM.

NOTE

The McSPI m module ($m = 1$ to 4) is also referred to as SPI m .

CAUTION

The I/O timings provided in this section are applicable for all combinations of signals for SPI1 and SPI2. However, the timings are valid only for SPI3 and SPI4 if signals within a single IOSET are used. The IOSETS are defined in Table 5-68.

Table 5-66, Figure 5-46 and Figure 5-47 present Timing Requirements for McSPI - Master Mode.

Table 5-66. Timing Requirements for SPI - Master Mode ⁽¹⁾

| NO. | PARAMETER | DESCRIPTION | MODE | MIN | MAX | UNIT |
|-----|------------------------------|--|----------------------------|---------------------------------|-----|------|
| SM1 | $t_c(\text{SPICLK})$ | Cycle time, spi_sclk ⁽¹⁾ ⁽²⁾ | SPI1/2/3/4 | 20.8 ⁽³⁾ | | ns |
| SM2 | $t_w(\text{SPICLK}_L)$ | Typical Pulse duration, spi_sclk low ⁽¹⁾ | | $0.5 \times P-1$ ⁽⁴⁾ | | ns |
| SM3 | $t_w(\text{SPICLK}_H)$ | Typical Pulse duration, spi_sclk high ⁽¹⁾ | | $0.5 \times P-1$ ⁽⁴⁾ | | ns |
| SM4 | $t_{su}(\text{MISO-SPICLK})$ | Setup time, spi_d[x] valid before spi_sclk active edge ⁽¹⁾ | | 3.5 | | ns |
| SM5 | $t_h(\text{SPICLK-MISO})$ | Hold time, spi_d[x] valid after spi_sclk active edge ⁽¹⁾ | | 3.7 | | ns |
| SM6 | $t_d(\text{SPICLK-SIMO})$ | Delay time, spi_sclk active edge to spi_d[x] transition ⁽¹⁾ | SPI1 | -3.57 | 4.1 | ns |
| | | | SPI2 | -3.9 | 3.6 | ns |
| | | | SPI3 | -4.9 | 4.7 | ns |
| | | | SPI4 | -4.3 | 4.5 | ns |
| SM7 | $t_d(\text{CS-SIMO})$ | Delay time, spi_cs[x] active edge to spi_d[x] transition | | | 5 | ns |
| SM8 | $t_d(\text{CS-SPICLK})$ | Delay time, spi_cs[x] active to spi_sclk first edge ⁽¹⁾ | MASTER_PHA0 ⁽⁵⁾ | B-4.2 ⁽⁶⁾ | | ns |
| | | | MASTER_PHA1 ⁽⁵⁾ | A-4.2 ⁽⁷⁾ | | ns |
| SM9 | $t_d(\text{SPICLK-CS})$ | Delay time, spi_sclk last edge to spi_cs[x] inactive ⁽¹⁾ | MASTER_PHA0 ⁽⁵⁾ | A-4.2 ⁽⁷⁾ | | ns |
| | | | MASTER_PHA1 ⁽⁵⁾ | B-4.2 ⁽⁶⁾ | | ns |

(1) This timing applies to all configurations regardless of SPI_CLK polarity and which clock edges are used to drive output data and capture input data.

(2) Related to the SPI_CLK maximum frequency.

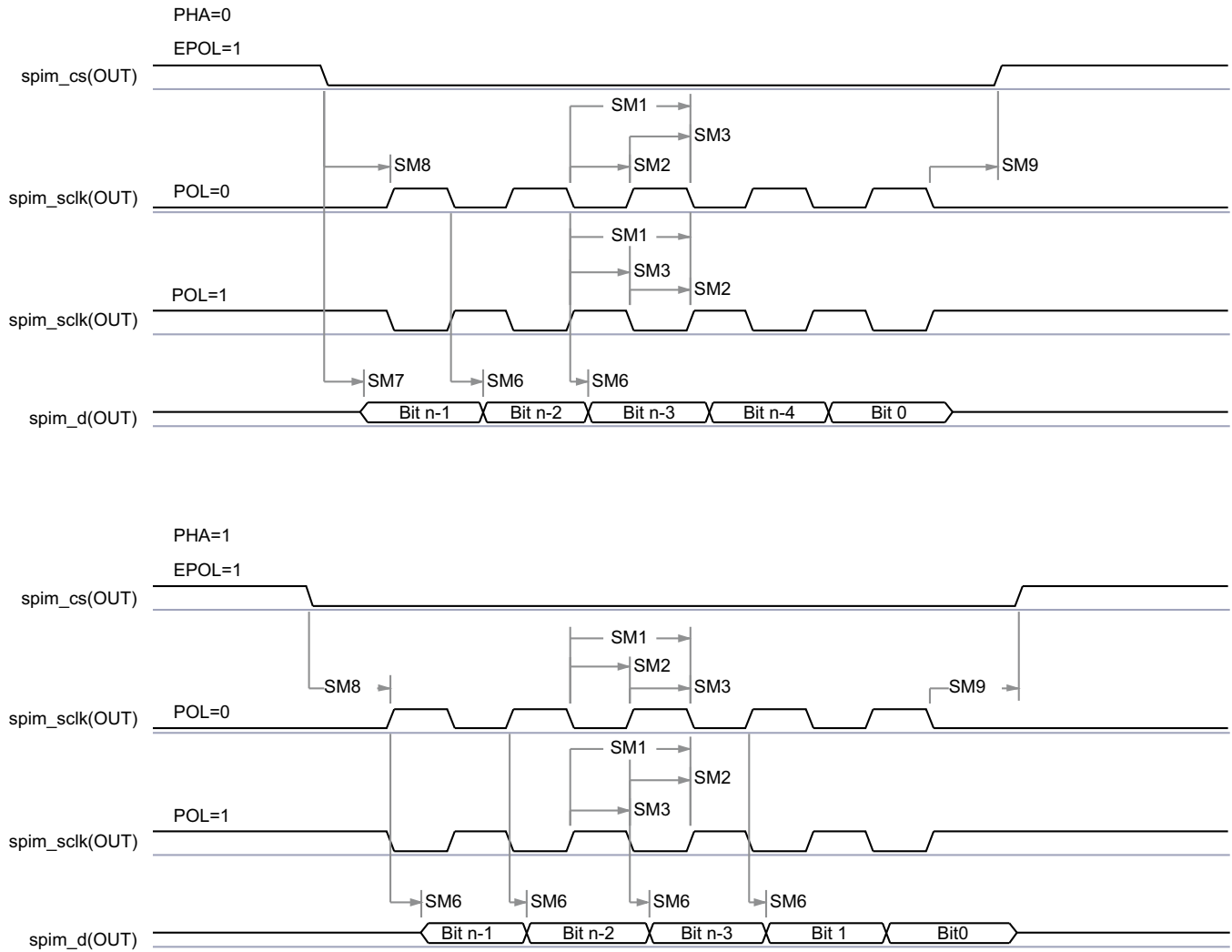
(3) 20.8ns cycle time = 48MHz

(4) P = SPICLK period.

(5) SPI_CLK phase is programmable with the PHA bit of the SPI_CH(i)CONF register.

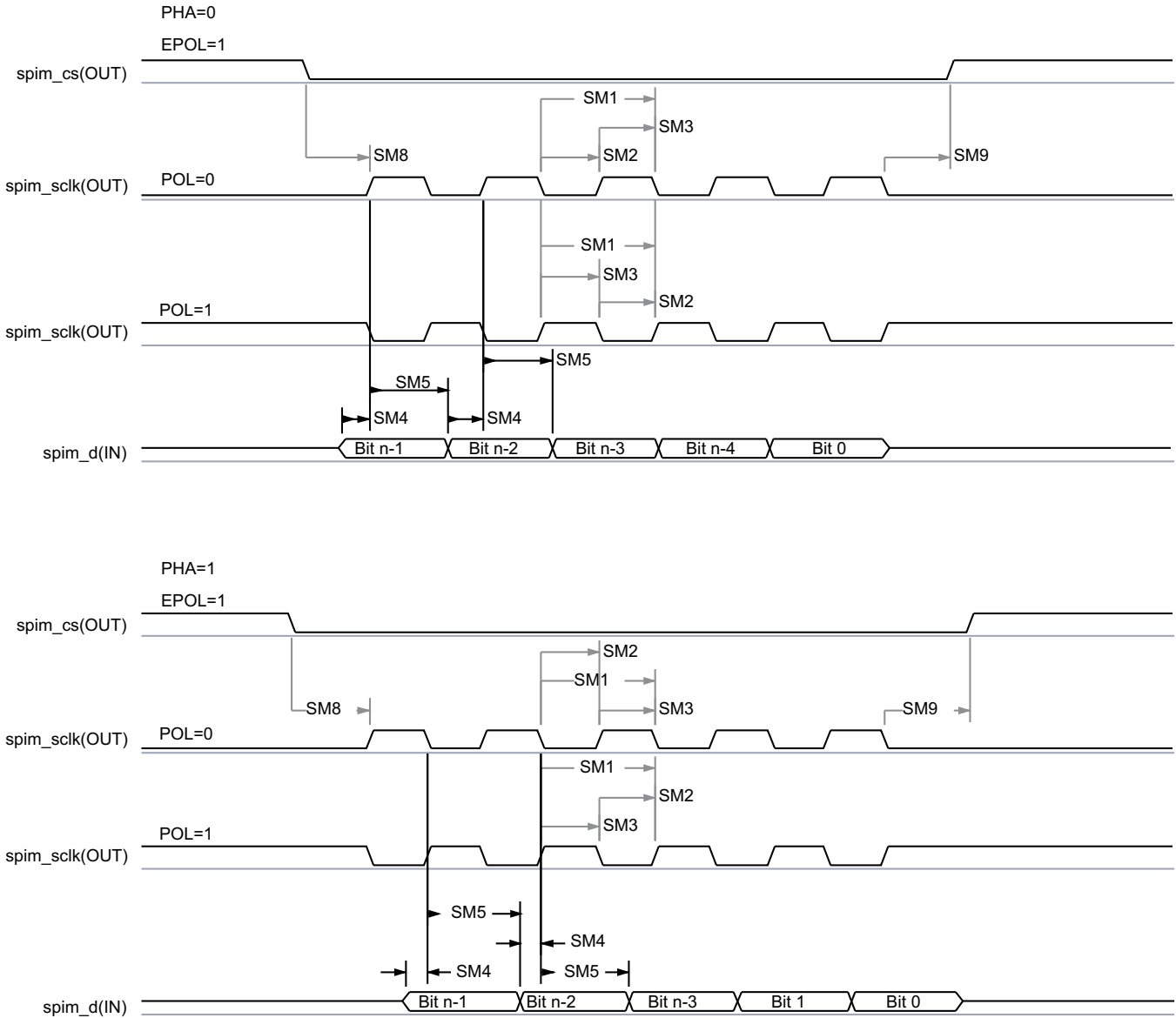
(6) $B = (TCS + 0.5) \times \text{TSPICLKREF} \times \text{Fratio}$, where TCS is a bit field of the SPI_CH(i)CONF register and Fratio = Even ≥ 2 .

(7) When P = 20.8 ns, $A = (TCS + 1) \times \text{TSPICLKREF}$, where TCS is a bit field of the SPI_CH(i)CONF register. When P > 20.8 ns, $A = (TCS + 0.5) \times \text{Fratio} \times \text{TSPICLKREF}$, where TCS is a bit field of the SPI_CH(i)CONF register.



SPRS906_TIMING_McSPI_01

Figure 5-46. McSPI - Master Mode Transmit



SPRS906_TIMING_McSPI_02

Figure 5-47. McSPI - Master Mode Receive

Table 5-67, Figure 5-48 and Figure 5-49 present Timing Requirements for McSPI - Slave Mode.

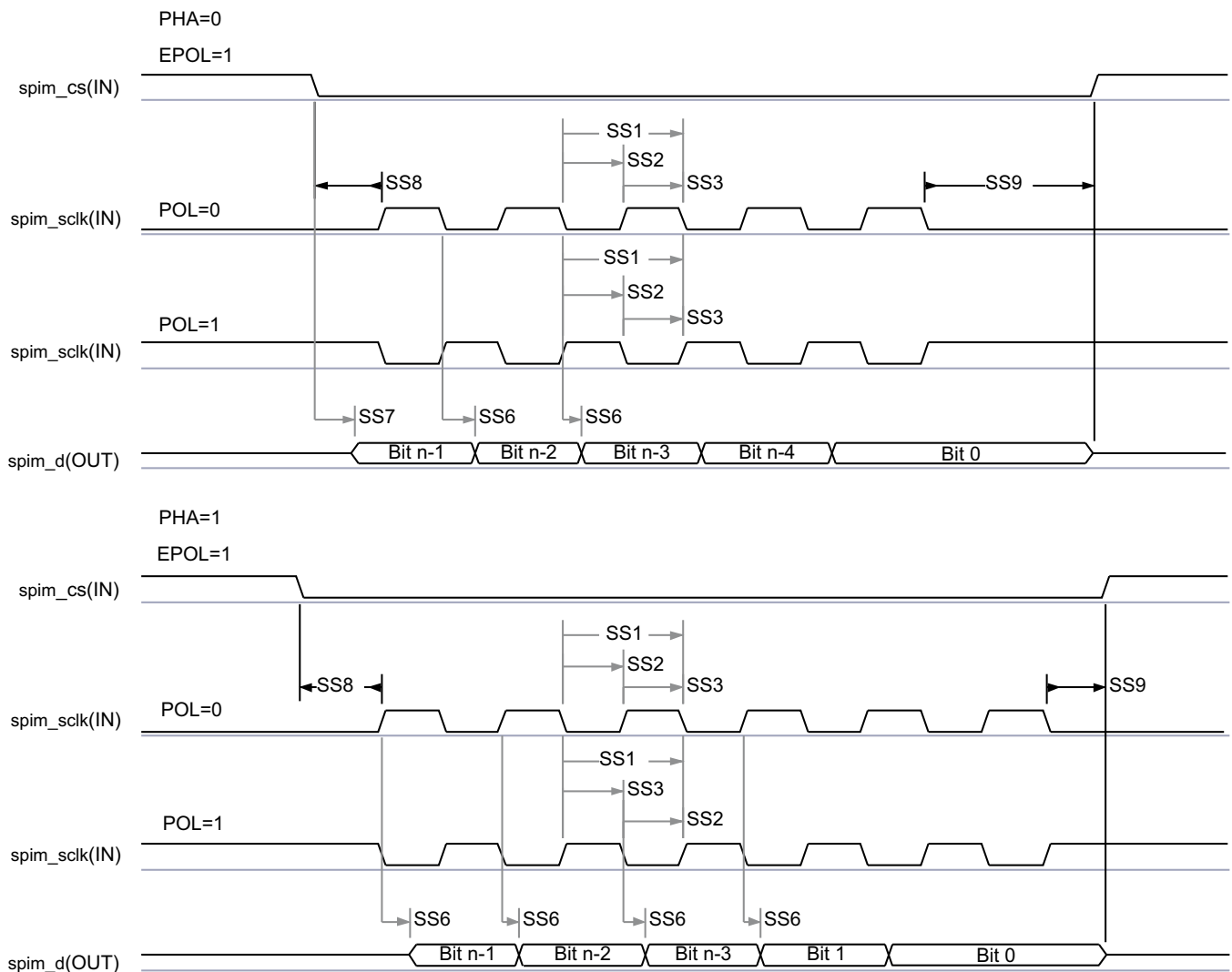
Table 5-67. Timing Requirements for SPI - Slave Mode

| NO. | PARAMETER | DESCRIPTION | MODE | MIN | MAX | UNIT |
|--------------------|-----------------------|---|----------|---------------------------------------|------|------|
| SS1 ⁽¹⁾ | $t_{c(SPICLK)}$ | Cycle time, spi_sclk | | 62.5 ⁽²⁾ ⁽³⁾ | | ns |
| SS2 ⁽¹⁾ | $t_{w(SPICLK_L)}$ | Typical Pulse duration, spi_sclk low | | 0.45 × P ⁽⁴⁾ | | ns |
| SS3 ⁽¹⁾ | $t_{w(SPICLK_H)}$ | Typical Pulse duration, spi_sclk high | | 0.45 × P ⁽⁴⁾ | | ns |
| SS4 ⁽¹⁾ | $t_{su(SIMO-SPICLK)}$ | Setup time, spi_d[x] valid before spi_sclk active edge | | 5 | | ns |
| SS5 ⁽¹⁾ | $t_{h(SPICLK-SIMO)}$ | Hold time, spi_d[x] valid after spi_sclk active edge | | 5 | | ns |
| SS6 ⁽¹⁾ | $t_{d(SPICLK-SOMI)}$ | Delay time, spi_sclk active edge to mcspi_somi transition | SPI1/2/3 | 2 | 26.6 | ns |
| | | | SPI4 | 2 | 20.1 | ns |

Table 5-67. Timing Requirements for SPI - Slave Mode (continued)

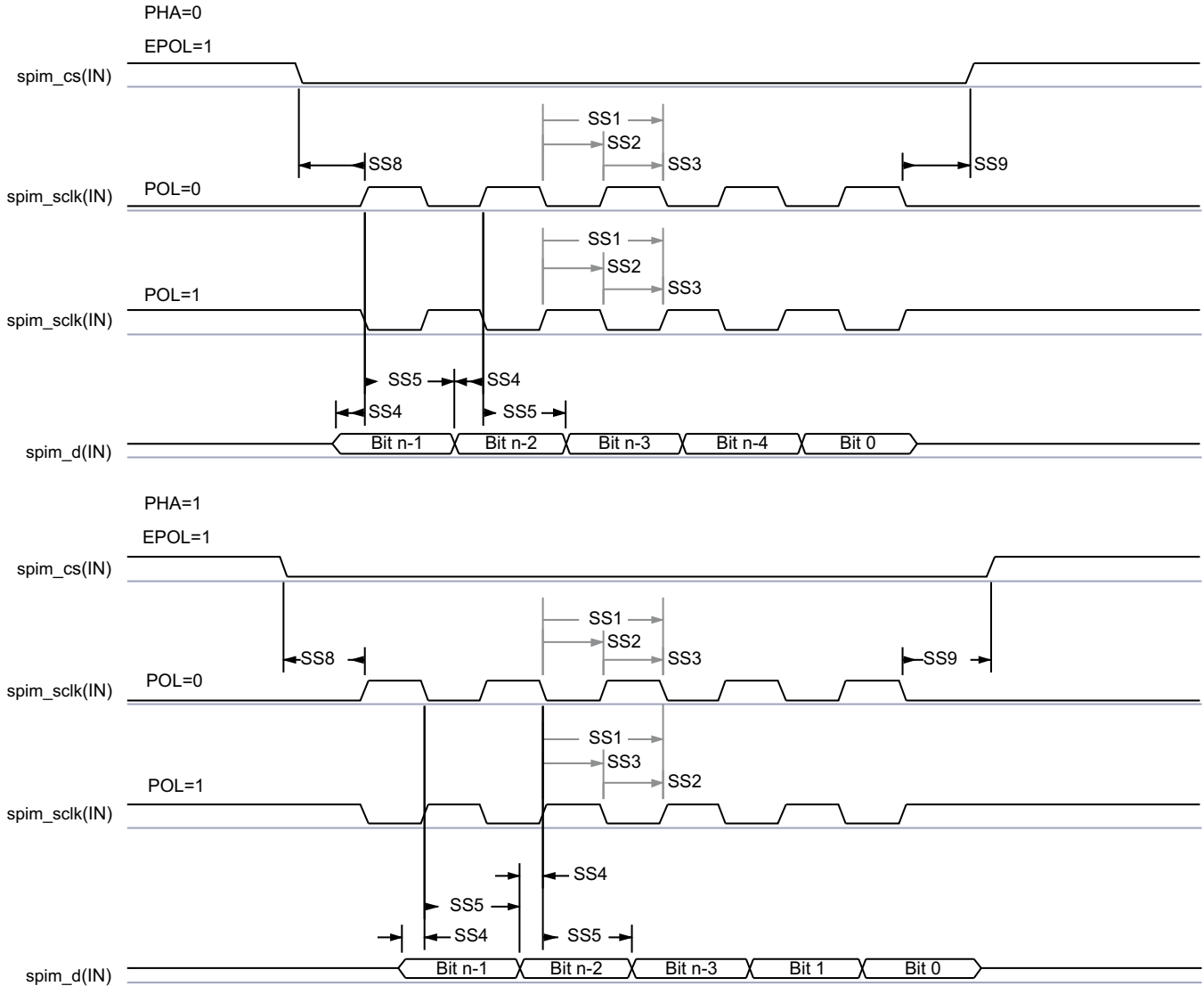
| NO. | PARAMETER | DESCRIPTION | MODE | MIN | MAX | UNIT |
|--------------------|---------------------|--|--------|-----|-------|------|
| SS7 ⁽⁵⁾ | $t_{d(CS-SOMI)}$ | Delay time, spi_cs[x] active edge to mcspi_somi transition | | | 20.95 | ns |
| SS8 ⁽¹⁾ | $t_{su(CS-SPICLK)}$ | Setup time, spi_cs[x] valid before spi_sclk first edge | | 5 | | ns |
| SS9 ⁽¹⁾ | $t_{h(SPICLK-CS)}$ | Hold time, spi_cs[x] valid after spi_sclk last edge | SPI1/2 | 5 | | ns |
| | | | SPI3 | 7.5 | | ns |
| | | | SPI4 | 6 | | ns |

- (1) This timing applies to all configurations regardless of SPI_CLK polarity and which clock edges are used to drive output data and capture input data.
- (2) When operating the SPI interface in RX-only mode, the minimum Cycle time is 26ns (38.4MHz)
- (3) 62.5ns Cycle time = 16 MHz
- (4) P = SPICLK period.
- (5) PHA = 0; SPI_CLK phase is programmable with the PHA bit of the SPI_CH(i)CONF register.



SPRS906_TIMING_McSPI_03

Figure 5-48. McSPI - Slave Mode Transmit



SPRS906_TIMING_McSPI_04

Figure 5-49. McSPI - Slave Mode Receive

In Table 5-68 are presented the specific groupings of signals (IOSET) for use with SPI3 and SPI4.

Table 5-68. McSPI3/4 IOSETs

| SIGNALS | IOSET1 | | IOSET2 | | IOSET3 | | IOSET4 | | IOSET5 | |
|---------------|--------|-----|--------|-----|--------|-----|--------|-----|--------|-----|
| | BALL | MUX | BALL | MUX | BALL | MUX | BALL | MUX | BALL | MUX |
| McSPI3 | | | | | | | | | | |
| spi3_cs0 | | | T5 | 7 | B18 | 3 | D23 | 2 | AA3 | 1 |
| spi3_cs1 | | | W2 | 1 | A19 | 3 | | | W2 | 1 |
| spi3_d0 | | | T4 | 7 | B16 | 3 | A24 | 2 | AA2 | 1 |
| spi3_d1 | | | N6 | 7 | B17 | 3 | B25 | 2 | Y4 | 1 |
| spi3_sclk | | | N5 | 7 | A18 | 3 | C23 | 2 | Y1 | 1 |
| McSPI4 | | | | | | | | | | |
| spi4_cs0 | L3 | 8 | B9 | 8 | R1 | 7 | AC4 | 2 | AB1 | 1 |
| spi4_cs1 | G1 | 8 | G1 | 8 | N6 | 8 | N6 | 8 | N6 | 8 |
| spi4_cs2 | H3 | 8 | H3 | 8 | T4 | 8 | T4 | 8 | T4 | 8 |

Table 5-68. McSPI3/4 IOSETs (continued)

| SIGNALS | IOSET1 | | IOSET2 | | IOSET3 | | IOSET4 | | IOSET5 | |
|-----------|--------|-----|--------|-----|--------|-----|--------|-----|--------|-----|
| | BALL | MUX | BALL | MUX | BALL | MUX | BALL | MUX | BALL | MUX |
| spi4_cs3 | H4 | 8 | H4 | 8 | T5 | 8 | T5 | 8 | T5 | 8 |
| spi4_d0 | J2 | 8 | C8 | 8 | R2 | 7 | AA5 | 2 | AA4 | 1 |
| spi4_d1 | H1 | 8 | B8 | 8 | P3 | 7 | U6 | 2 | AA1 | 1 |
| spi4_sclk | K4 | 8 | E8 | 8 | P4 | 7 | AC3 | 2 | Y3 | 1 |

5.10.6.14 QSPI

The Quad SPI (QSPI) module is a type of SPI module that allows single, dual or quad read access to external SPI devices. This module has a memory mapped register interface, which provides a direct interface for accessing data from external SPI devices and thus simplifying software requirements. It works as a master only. There is one QSPI module in the device and it is primary intended for fast booting from quad-SPI flash memories.

General SPI features:

- Programmable clock divider
- Six pin interface (DCLK, CS_N, DOUT, DIN, QDIN1, QDIN2)
- 4 external chip select signals
- Support for 3-, 4- or 6-pin SPI interface
- Programmable CS_N to DOUT delay from 0 to 3 DCLKs
- Programmable signal polarities
- Programmable active clock edge
- Software controllable interface allowing for any type of SPI transfer

NOTE

For more information, see the Quad Serial Peripheral Interface section of the Device TRM.

CAUTION

The I/O Timings provided in this section are only valid when all QSPI Chip Selects used in a system are configured to use the same Clock Mode (either Clock Mode 0 or Clock Mode 3).

CAUTION

The I/O Timings provided in this section are valid only for some QSPI usage modes when the corresponding Virtual I/O Timings or Manual I/O Timings are configured as described in the tables found in this section.

Table 5-69 and Table 5-70 Present Timing and Switching Characteristics for Quad SPI Interface.

Table 5-69. Switching Characteristics for QSPI

| NO. | PARAMETER | DESCRIPTION | MODE | MIN | MAX | UNIT |
|-----|-----------------------|------------------|-----------------------------------|-------|-----|------|
| Q1 | t _c (SCLK) | Cycle time, sclk | Default Timing Mode, Clock Mode 0 | 11.71 | | ns |
| | | | Default Timing Mode, Clock Mode 3 | 20.8 | | ns |

Table 5-69. Switching Characteristics for QSPI (continued)

| NO. | PARAMETER | DESCRIPTION | MODE | MIN | MAX | UNIT |
|-----|--------------------|--|---------------------------------|------------------------------|------------------------------|------|
| Q2 | $t_{w(SCLKL)}$ | Pulse duration, sclk low | | $Y \times P-1$ (1) | | ns |
| Q3 | $t_{w(SCLKH)}$ | Pulse duration, sclk high | | $Y \times P-1$ (1) | | ns |
| Q4 | $t_d(CS-SCLK)$ | Delay time, sclk falling edge to cs active edge, CS3:0 | Default Timing Mode | $-M \times P-1.6$ (2) (3) | $-M \times P+2.6$ (2) (3) | ns |
| Q5 | $t_d(SCLK-CS)$ | Delay time, sclk falling edge to cs inactive edge, CS3:0 | Default Timing Mode | $N \times P-1.6$ (2) (3) | $N \times P+2.6$ (2) (3) | ns |
| Q6 | $t_d(SCLK-D0)$ | Delay time, sclk falling edge to d[0] transition | Default Timing Mode | -1.6 | 2.6 | ns |
| Q7 | $t_{ena}(CS-D0LZ)$ | Enable time, cs active edge to d[0] driven (lo-z) | | -P-3.5 | -P+2.5 | ns |
| Q8 | $t_{dis}(CS-D0Z)$ | Disable time, cs active edge to d[0] tri-stated (hi-z) | | -P-2.5 | -P+2.0 | ns |
| Q9 | $t_d(SCLK-D0)$ | Delay time, sclk first falling edge to first d[0] transition | PHA=0 Only, Default Timing Mode | -1.6- P(2) | 2.6-P(2) | ns |

(1) The Y parameter is defined as follows:

If DCLK_DIV is 0 or ODD then, Y equals 0.5.

If DCLK_DIV is EVEN then, Y equals $(DCLK_DIV/2) / (DCLK_DIV+1)$.

For best performance, it is recommended to use a DCLK_DIV of 0 or ODD to minimize the duty cycle distortion. The HSDIVIDER on CLKOUTX2_H13 output of DPLL_PER can be used to achieve the desired clock divider ratio. All required details about clock division factor DCLK_DIV can be found in the device-specific Technical Reference Manual.

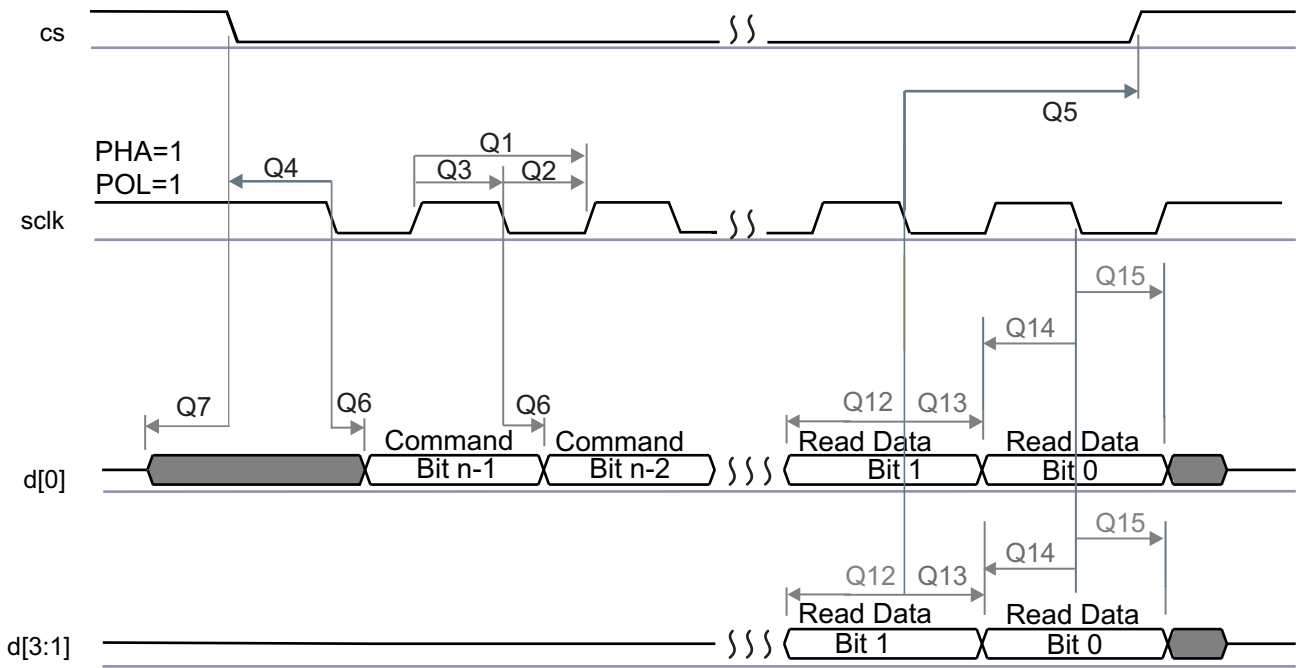
(2) P = SCLK period.

(3) M=QSPI_SPI_DC_REG.DDx + 1 when Clock Mode 0.

M=QSPI_SPI_DC_REG.DDx when Clock Mode 3.

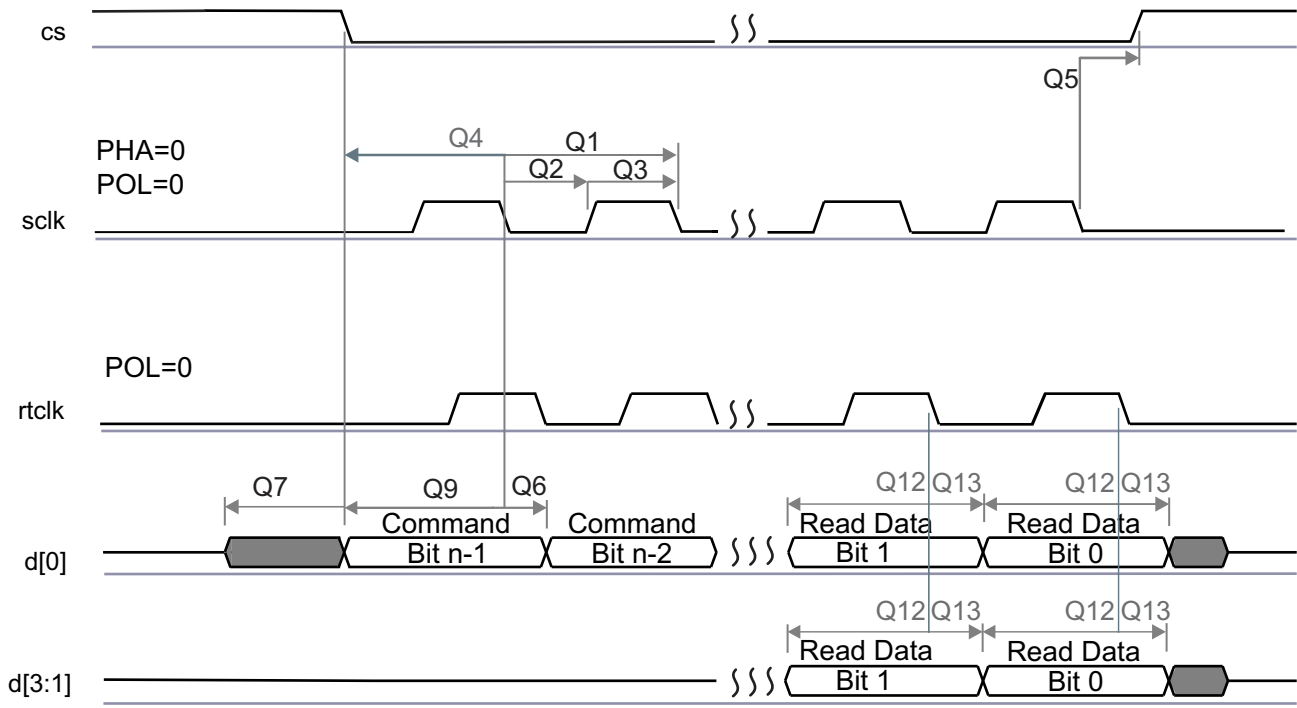
N = 2 when Clock Mode 0.

N = 3 when Clock Mode 3.



SPRS91V_QSPI_01

Figure 5-50. QSPI Read (Clock Mode 3)



SPRS91v_QSPI_02

Figure 5-51. QSPI Read (Clock Mode 0)

CAUTION

The I/O Timings provided in this section are valid only for some QSPI usage modes when the corresponding Virtual I/O Timings or Manual I/O Timings are configured as described in the tables found in this section.

Table 5-70. Timing Requirements for QSPI⁽³⁾⁽²⁾

| NO. | PARAMETER | DESCRIPTION | MODE | MIN | MAX | UNIT |
|-----|-------------------|---|-----------------------------------|-----------------------|-----|------|
| Q12 | $t_{su}(D-RTCLK)$ | Setup time, d[3:0] valid before falling rclk edge | Default Timing Mode, Clock Mode 0 | 4.6 | | ns |
| | $t_{su}(D-SCLK)$ | Setup time, d[3:0] valid before falling sclk edge | Default Timing Mode, Clock Mode 3 | 12.3 | | ns |
| Q13 | $t_h(RTCLK-D)$ | Hold time, d[3:0] valid after falling rclk edge | Default Timing Mode, Clock Mode 0 | -0.1 | | ns |
| | $t_h(SCLK-D)$ | Hold time, d[3:0] valid after falling sclk edge | Default Timing Mode, Clock Mode 3 | 0.1 | | ns |
| Q14 | $t_{su}(D-SCLK)$ | Setup time, final d[3:0] bit valid before final falling sclk edge | Default Timing Mode, Clock Mode 3 | 12.3-P ⁽¹⁾ | | ns |
| Q15 | $t_h(SCLK-D)$ | Hold time, final d[3:0] bit valid after final falling sclk edge | Default Timing Mode, Clock Mode 3 | 0.1+P ⁽¹⁾ | | ns |

- (1) P = SCLK period.
- (2) Clock Modes 1 and 2 are not supported.
- (3) The Device captures data on the falling clock edge in Clock Mode 0 and 3, as opposed to the traditional rising clock edge. Although non-standard, the falling-edge-based setup and hold time timings have been designed to be compatible with standard SPI devices that launch data on the falling edge in Clock Modes 0 and 3.

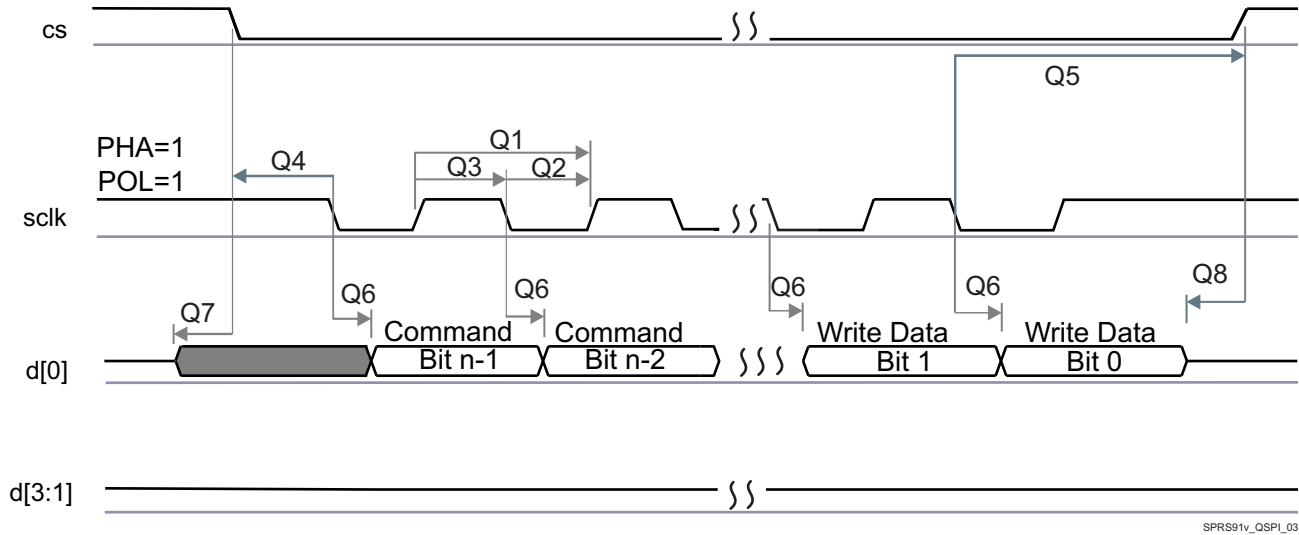


Figure 5-52. QSPI Write (Clock Mode 3)

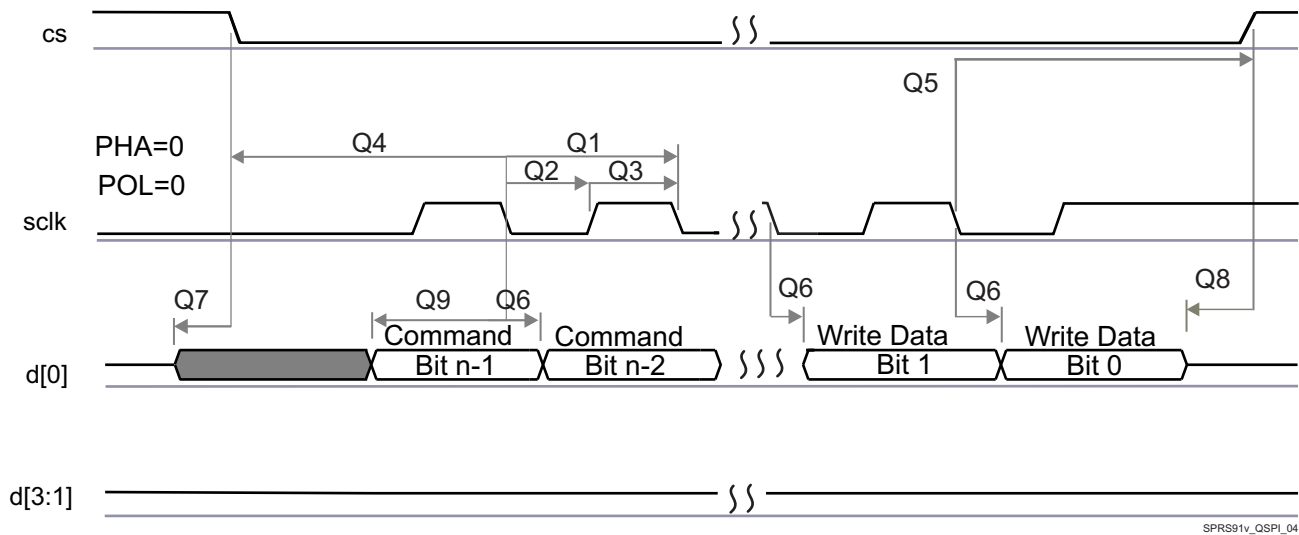


Figure 5-53. QSPI Write (Clock Mode 0)

CAUTION

The I/O Timings provided in this section are valid only for some QSPI usage modes when the corresponding Virtual I/O Timings or Manual I/O Timings are configured as described in the tables found in this section.

NOTE

To configure the desired Manual IO Timing Mode the user must follow the steps described in section Manual IO Timing Modes of the Device TRM.

The associated registers to configure are listed in the **CFG REGISTER** column. For more information see the Control Module chapter in the Device TRM.

Manual IO Timings Modes must be used to ensure some IO timings for QSPI. See [Table 5-30 Modes Summary](#) for a list of IO timings requiring the use of Manual IO Timings Modes. See [Table 5-71 Manual Functions Mapping for QSPI](#) for a definition of the Manual modes.

[Table 5-71](#) lists the A_DELAY and G_DELAY values needed to calculate the correct values to be set in the CFG_x registers.

Table 5-71. Manual Functions Mapping for QSPI

| BALL | BALL NAME | QSPI1_MANUAL1 | | CFG REGISTER | MUXMODE |
|------|-----------|---------------|--------------|------------------|-------------|
| | | A_DELAY (ps) | G_DELAY (ps) | | 1 |
| L1 | gpmc_a3 | 0 | 0 | CFG_GPMC_A3_OUT | qspi1_cs2 |
| K3 | gpmc_a4 | 0 | 0 | CFG_GPMC_A4_OUT | qspi1_cs3 |
| H3 | gpmc_a13 | 0 | 0 | CFG_GPMC_A13_IN | qspi1_rtclk |
| H4 | gpmc_a14 | 2247 | 1186 | CFG_GPMC_A14_IN | qspi1_d3 |
| K6 | gpmc_a15 | 2176 | 1197 | CFG_GPMC_A15_IN | qspi1_d2 |
| K5 | gpmc_a16 | 2229 | 1268 | CFG_GPMC_A16_IN | qspi1_d0 |
| K5 | gpmc_a16 | 0 | 0 | CFG_GPMC_A16_OUT | qspi1_d0 |
| G2 | gpmc_a17 | 2251 | 1217 | CFG_GPMC_A17_IN | qspi1_d1 |
| F2 | gpmc_a18 | 0 | 0 | CFG_GPMC_A18_OUT | qspi1_sclk |
| G4 | gpmc_cs2 | 0 | 0 | CFG_GPMC_CS2_OUT | qspi1_cs0 |
| G3 | gpmc_cs3 | 0 | 0 | CFG_GPMC_CS3_OUT | qspi1_cs1 |

5.10.6.15 McASP

The multichannel audio serial port (McASP) functions as a general-purpose audio serial port optimized for the needs of multichannel audio applications. The McASP is useful for time-division multiplexed (TDM) stream, Inter-Integrated Sound (I2S) protocols, and intercomponent digital audio interface transmission (DIT).

The device have integrated 8 McASP modules (McASP1-McASP8) with:

- McASP1 and McASP2 modules supporting 16 channels with independent TX/RX clock/sync domain
- McASP3 through McASP7 modules supporting 4 channels with independent TX/RX clock/sync domain
- McASP8 module supporting 2 channels with independent TX/RX clock/sync domain

NOTE

For more information, see the Serial Communication Interface section of the Device TRM.

CAUTION

The I/O Timings provided in this section are valid only for some McASP usage modes when the corresponding Virtual I/O Timings or Manual I/O Timings are configured as described in the tables found in this section.

[Table 5-72](#), [Table 5-73](#), [Table 5-74](#) and [Figure 5-54](#) present Timing Requirements for McASP1 to McASP8

Table 5-72. Timing Requirements for McASP1⁽¹⁾

| NO. | PARAMETER | DESCRIPTION | MODE | MIN | MAX | UNIT |
|-----|-----------------------------|--|-----------------------------------|-------------------------|-----|------|
| 1 | $t_c(\text{AHCLKX})$ | Cycle time, AHCLKX | | 20 | | ns |
| 2 | $t_w(\text{AHCLKX})$ | Pulse duration, AHCLKX high or low | | 0.35P ⁽²⁾ | | ns |
| 3 | $t_c(\text{ACLKR/X})$ | Cycle time, ACLKR/X | | 20 | | ns |
| 4 | $t_w(\text{ACLKR/X})$ | Pulse duration, ACLKR/X high or low | | 0.5R - 3 ⁽³⁾ | | ns |
| 5 | $t_{su}(\text{AFSRX-ACLK})$ | Setup time, AFSRX input valid before ACLKR/X | ACLKR/X int | 20.5 | | ns |
| | | | ACLKR/X ext in ACLKR/X ext out | 4 | | ns |
| 6 | $t_h(\text{ACLK-AFSRX})$ | Hold time, AFSRX input valid after ACLKR/X | ACLKR/X int | -1 | | ns |
| | | | ACLKR/X ext in ACLKR/X ext out | 1.7 | | ns |
| 7 | $t_{su}(\text{AXR-ACLK})$ | Setup time, AXR input valid before ACLKR/X | ACLKR/X int | 21.6 | | ns |
| | | | ACLKR/X ext in ACLKR/X ext out | 11.5 | | ns |
| 8 | $t_h(\text{ACLK-AXR})$ | Hold time, AXR input valid after ACLKR/X | ACLKR/X int | -1 | | ns |
| | | | ACLKR/X ext in ACLKR/X ext out | 1.8 | | ns |

(1) ACLKR internal: ACLKRCTL.CLKRM=1, PDIR.ACLKR = 1
 ACLKR external input: ACLKRCTL.CLKRM=0, PDIR.ACLKR=0
 ACLKR external output: ACLKRCTL.CLKRM=0, PDIR.ACLKR=1
 ACLKX internal: ACLKXCTL.CLKXM=1, PDIR.ACLKX = 1
 ACLKX external input: ACLKXCTL.CLKXM=0, PDIR.ACLKX=0
 ACLKX external output: ACLKXCTL.CLKXM=0, PDIR.ACLKX=1

(2) P = AHCLKX period in ns.

(3) R = ACLKR/X period in ns.

Table 5-73. Timing Requirements for McASP2⁽¹⁾

| NO. | PARAMETER | DESCRIPTION | MODE | MIN | MAX | UNIT |
|-----|----------------------------|---|--|-------------------------|-----|------|
| 1 | $t_c(\text{AHCLKX})$ | Cycle time, AHCLKX | | 20 | | ns |
| 2 | $t_w(\text{AHCLKX})$ | Pulse duration, AHCLKX high or low | | 0.35P ⁽²⁾ | | ns |
| 3 | $t_c(\text{ACLKX})$ | Cycle time, ACLKX | Any Other Conditions | 20 | | ns |
| | | | ACLKX/AFSX (In Sync Mode) and AXR are all inputs "80M" Virtual IO Timing Modes | 12.5 | | ns |
| 4 | $t_w(\text{ACLKX})$ | Pulse duration, ACLKX high or low | Any Other Conditions | 0.5R - 3 ⁽³⁾ | | ns |
| | | | ACLKX/AFSX (In Sync Mode) and AXR are all inputs "80M" Virtual IO Timing Modes | 0.38R ⁽³⁾ | | ns |
| 5 | $t_{su}(\text{AFSX-ACLK})$ | Setup time, AFSX input valid before ACLKX | ACLKX int | 20.3 | | ns |
| | | | ACLKX ext in ACLKX ext out | 4.5 | | ns |
| | | | ACLKX ext in ACLKX ext out "80M" Virtual IO Timing Modes | 3 | | ns |

Table 5-73. Timing Requirements for McASP2⁽¹⁾ (continued)

| NO. | PARAMETER | DESCRIPTION | MODE | MIN | MAX | UNIT |
|-----|--------------------|--|--|------|-----|------|
| 6 | $t_{h(ACLK-AFSX)}$ | Hold time, AFSX input valid after ACLKX | ACLKX int | -1 | | ns |
| | | | ACLKX ext in ACLKX ext out | 1.8 | | ns |
| | | | ACLKX ext in ACLKX ext out "80M" Virtual IO Timing Modes | 3 | | ns |
| 7 | $t_{su(AXR-ACLK)}$ | Setup time, AXR input valid before ACLKX | ACLKX int | 21.1 | | ns |
| | | | ACLKX ext in ACLKX ext out | 4.5 | | ns |
| | | | ACLKX ext in ACLKX ext out "80M" Virtual IO Timing Modes | 3 | | ns |
| 8 | $t_{h(ACLK-AXR)}$ | Hold time, AXR input valid after ACLKX | ACLKX int | -1 | | ns |
| | | | ACLKX ext in ACLKX ext out | 1.8 | | ns |
| | | | ACLKX ext in ACLKX ext out "80M" Virtual IO Timing Modes | 3 | | ns |

(1) ACLKX internal: ACLKXCTL.CLKXM=1, PDIR.ACLKX = 1
 ACLKX external input: ACLKXCTL.CLKXM=0, PDIR.ACLKX=0
 ACLKX external output: ACLKXCTL.CLKXM=0, PDIR.ACLKX=1

(2) P = AHCLKX period in ns.

(3) R = ACLKX period in ns.

Table 5-74. Timing Requirements for McASP3/4/5/6/7/8⁽¹⁾

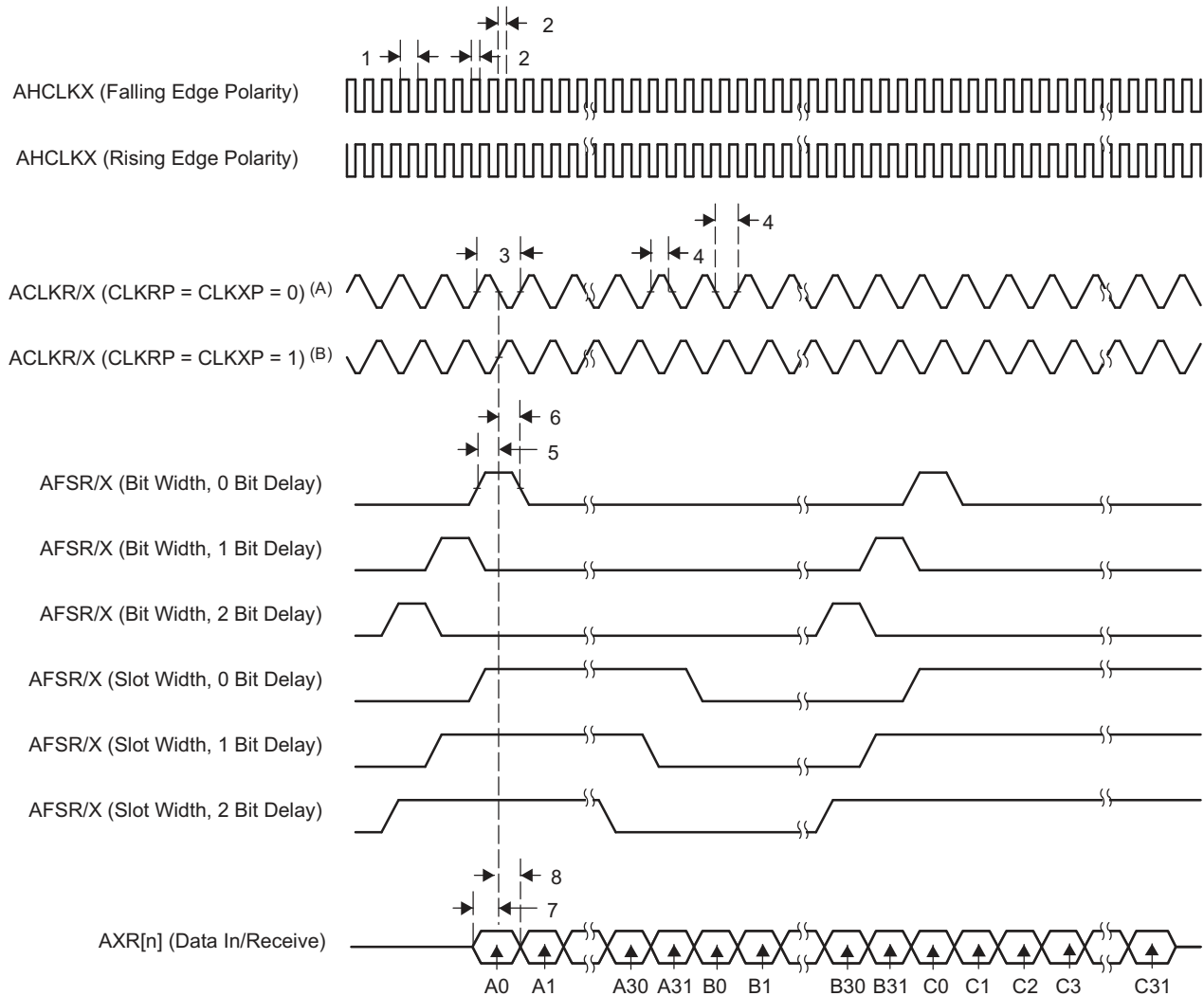
| NO. | PARAMETER | DESCRIPTION | MODE | MIN | MAX | UNIT |
|-----|----------------------|---|-----------------------------------|-----------------|-----|------|
| 1 | $t_c(AHCLKX)$ | Cycle time, AHCLKX | | 20 | | ns |
| 2 | $t_w(AHCLKX)$ | Pulse duration, AHCLKX high or low | | 0.35P (2) | | ns |
| 3 | $t_c(ACLKRX)$ | Cycle time, ACLKR/X | | 20 | | ns |
| 4 | $t_w(ACLKRX)$ | Pulse duration, ACLKR/X high or low | | 0.5R - 3 (3) | | ns |
| 5 | $t_{su}(AFSRX-ACLK)$ | Setup time, AFSR/X input valid before ACLKR/X | ACLKR/X int | 19.7 | | ns |
| | | | ACLKR/X ext in ACLKR/X ext out | 5.6 | | ns |
| 6 | $t_{h(ACLK-AFSRX)}$ | Hold time, AFSR/X input valid after ACLKR/X | ACLKR/X int | -1.1 | | ns |
| | | | ACLKR/X ext in ACLKR/X ext out | 2.5 | | ns |
| | $t_{su}(AXR-ACLK)$ | Setup time, AXR input valid before ACLKX | ACLKX int (ASYNC=0) | 20.3 | | ns |
| | | | ACLKR/X ext in ACLKR/X ext out | 5.1 | | ns |
| 8 | $t_{h(ACLK-AXR)}$ | Hold time, AXR input valid after ACLKX | ACLKX int (ASYNC=0) | -0.8 | | ns |
| | | | ACLKR/X ext in ACLKR/X ext out | 2.5 | | ns |

(1) ACLKR internal: ACLKRCTL.CLKRM=1, PDIR.ACLKR = 1 (NOT SUPPORTED)

ACLKR external input: ACLKRCTL.CLKRM=0, PDIR.ACLKR=0
 ACLKR external output: ACLKRCTL.CLKRM=0, PDIR.ACLKR=1
 ACLKX internal: ACLKXCTL.CLKXM=1, PDIR.ACLKX = 1
 ACLKX external input: ACLKXCTL.CLKXM=0, PDIR.ACLKX=0
 ACLKX external output: ACLKXCTL.CLKXM=0, PDIR.ACLKX=1

(2) P = AHCLKX period in ns.

(3) R = ACLKR/X period in ns.



SPRS906_TIMING_McASP_01

- A. For CLKRP = CLKXP = 0, the McASP transmitter is configured for rising edge (to shift data out) and the McASP receiver is configured for falling edge (to shift data in).
- B. For CLKRP = CLKXP = 1, the McASP transmitter is configured for falling edge (to shift data out) and the McASP receiver is configured for rising edge (to shift data in).

Figure 5-54. McASP Input Timing

Table 5-75, Table 5-76, Table 5-77 and Figure 5-55 present Switching Characteristics Over Recommended Operating Conditions for McASP1 to McASP8.

Table 5-75. Switching Characteristics Over Recommended Operating Conditions for McASP1⁽¹⁾

| NO. | PARAMETER | DESCRIPTION | MODE | MIN | MAX | UNIT |
|-----|-----------------|-------------------------------------|------|---------------------------|-----|------|
| 9 | $t_{c(AHCLKX)}$ | Cycle time, AHCLKX | | 20 | | ns |
| 10 | $t_{w(AHCLKX)}$ | Pulse duration, AHCLKX high or low | | 0.5P - 2.5 ⁽²⁾ | | ns |
| 11 | $t_{c(ACLKRX)}$ | Cycle time, ACLKR/X | | 20 | | ns |
| 12 | $t_{w(ACLKRX)}$ | Pulse duration, ACLKR/X high or low | | 0.5P - 2.5 ⁽³⁾ | | ns |

Table 5-75. Switching Characteristics Over Recommended Operating Conditions for McASP1⁽¹⁾ (continued)

| NO. | PARAMETER | DESCRIPTION | MODE | MIN | MAX | UNIT |
|-----|---------------------|--|-----------------------------------|------|------|------|
| 13 | $t_{d(ACLK-AFSXR)}$ | Delay time, ACLKR/X transmit edge to AFSX/R output valid | ACLKR/X int | -0.9 | 6 | ns |
| | | | ACLKR/X ext in ACLKR/X ext out | 2 | 23.1 | ns |
| 14 | $t_{d(ACLK-AXR)}$ | Delay time, ACLKR/X transmit edge to AXR output valid | ACLKR/X int | -1.4 | 6 | ns |
| | | | ACLKR/X ext in ACLKR/X ext out | 2 | 24.2 | ns |

- (1) ACLKR internal: ACLKRCTL.CLKRM=1, PDIR.ACLKR = 1
 ACLKR external input: ACLKRCTL.CLKRM=0, PDIR.ACLKR=0
 ACLKR external output: ACLKRCTL.CLKRM=0, PDIR.ACLKR=1
 ACLKX internal: ACLKXCTL.CLKXM=1, PDIR.ACLKX = 1
 ACLKX external input: ACLKXCTL.CLKXM=0, PDIR.ACLKX=0
 ACLKX external output: ACLKXCTL.CLKXM=0, PDIR.ACLKX=1

- (2) P = AHCLKX period in ns.
 (3) R = ACLKR/X period in ns.

Table 5-76. Switching Characteristics Over Recommended Operating Conditions for McASP2⁽¹⁾

| NO. | PARAMETER | DESCRIPTION | MODE | MIN | MAX | UNIT |
|-----|--------------------|--|-------------------------------|------------------------------|------|------|
| 9 | $t_{c(AHCLKX)}$ | Cycle time, AHCLKX | | 20 | | ns |
| 10 | $t_{w(AHCLKX)}$ | Pulse duration, AHCLKX high or low | | 0.5P - 2.5 ⁽²⁾ | | ns |
| 11 | $t_{c(ACLKX)}$ | Cycle time, ACLKX | | 20 | | ns |
| 12 | $t_{w(ACLKX)}$ | Pulse duration, ACLKX high or low | | 0.5P - 2.5 ⁽³⁾ | | ns |
| 13 | $t_{d(ACLK-AFSX)}$ | Delay time, ACLKX transmit edge to AFSX output valid | ACLKX int | -1 | 6 | ns |
| | | | ACLKX ext in ACLKX ext out | 2 | 23.2 | ns |
| 14 | $t_{d(ACLK-AXR)}$ | Delay time, ACLKX transmit edge to AXR output valid | ACLKX int | -1.3 | 6 | ns |
| | | | ACLKX ext in ACLKX ext out | 2 | 23.7 | ns |

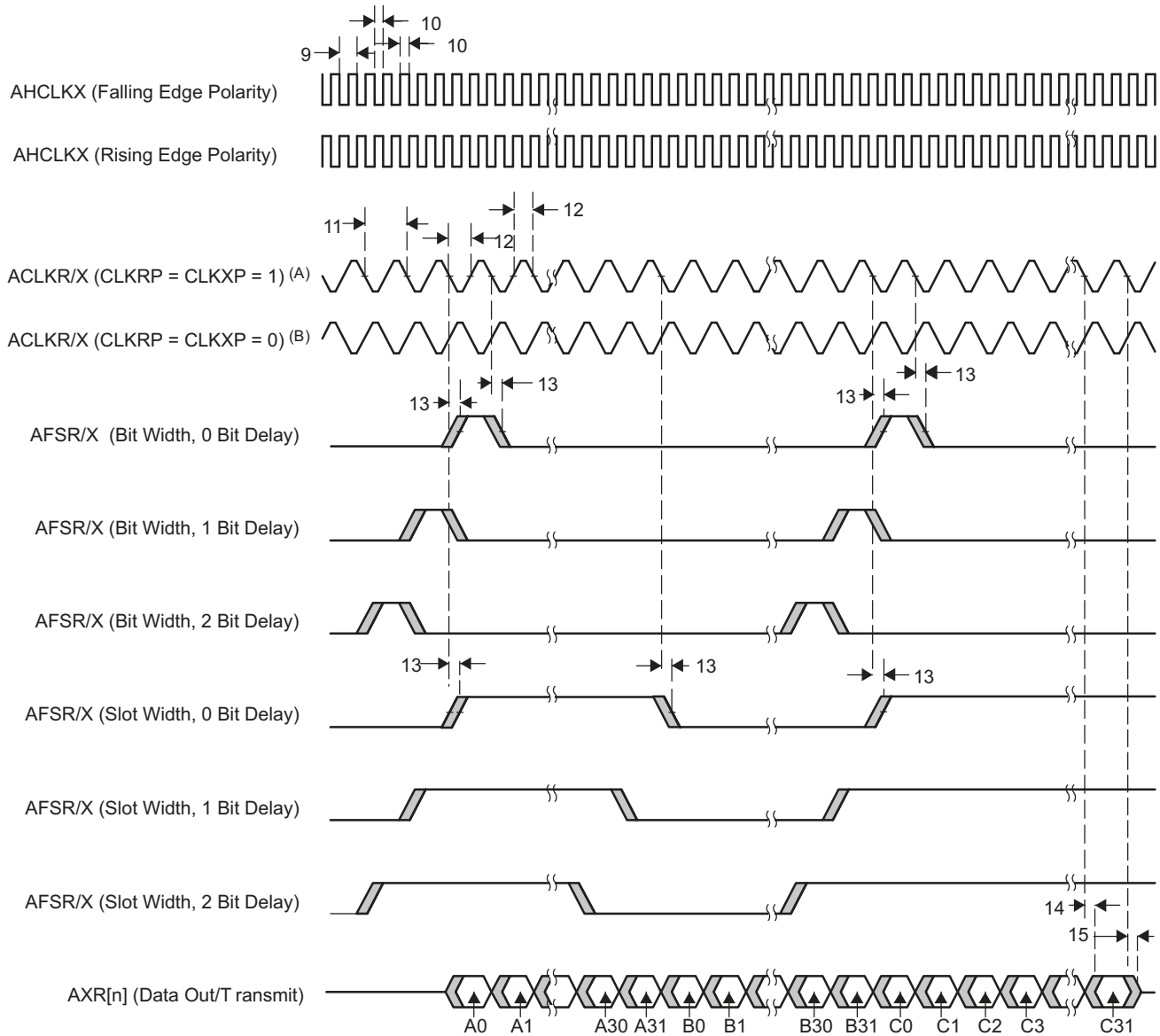
- (1) ACLKX internal: ACLKXCTL.CLKXM=1, PDIR.ACLKX = 1
 ACLKX external input: ACLKXCTL.CLKXM=0, PDIR.ACLKX=0
 ACLKX external output: ACLKXCTL.CLKXM=0, PDIR.ACLKX=1

- (2) P = AHCLKX period in ns.
 (3) R = ACLKX period in ns.

Table 5-77. Switching Characteristics Over Recommended Operating Conditions for McASP3/4/5/6/7/8⁽¹⁾

| NO. | PARAMETER | DESCRIPTION | MODE | MIN | MAX | UNIT |
|-----|---------------------|--|-----------------------------------|------------------------------|------|------|
| 9 | $t_{c(AHCLKX)}$ | Cycle time, AHCLKX | | 20 | | ns |
| 10 | $t_{w(AHCLKX)}$ | Pulse duration, AHCLKX high or low | | 0.5P - 2.5 ⁽²⁾ | | ns |
| 11 | $t_{c(ACLKR/X)}$ | Cycle time, ACLKR/X | | 20 | | ns |
| 12 | $t_{w(ACLKR/X)}$ | Pulse duration, ACLKR/X high or low | | 0.5P - 2.5 ⁽³⁾ | | ns |
| 13 | $t_{d(ACLK-AFSXR)}$ | Delay time, ACLKR/X transmit edge to AFSX/R output valid | ACLKR/X int | -0.5 | 6 | ns |
| | | | ACLKR/X ext in ACLKR/X ext out | 1.9 | 24.5 | ns |
| 14 | $t_{d(ACLK-AXR)}$ | Delay time, ACLKR/X transmit edge to AXR output valid | ACLKR/X int | -1.4 | 7.1 | ns |
| | | | ACLKR/X ext in ACLKR/X ext out | 1.1 | 24.2 | ns |

- (1) ACLKR internal: ACLKRCTL.CLKRM=1, PDIR.ACLKR = 1
 ACLKR external input: ACLKRCTL.CLKRM=0, PDIR.ACLKR=0
 ACLKR external output: ACLKRCTL.CLKRM=0, PDIR.ACLKR=1
 ACLKX internal: ACLKXCTL.CLKXM=1, PDIR.ACLKX = 1
 ACLKX external input: ACLKXCTL.CLKXM=0, PDIR.ACLKX=0
 ACLKX external output: ACLKXCTL.CLKXM=0, PDIR.ACLKX=1
- (2) P = AHCLKX period in ns.
- (3) R = ACLKR/X period in ns.



SPRS906_TIMING_McASP_02

- A. For CLKRP = CLKXP = 1, the McASP transmitter is configured for falling edge (to shift data out) and the McASP receiver is configured for rising edge (to shift data in).
- B. For CLKRP = CLKXP = 0, the McASP transmitter is configured for rising edge (to shift data out) and the McASP receiver is configured for falling edge (to shift data in).

Figure 5-55. McASP Output Timing

Table 5-78 through Table 5-85 explain all cases with Virtual Mode Details for McASP1/2/3/4/5/6/7/8 (see Figure 5-56 through Figure 5-63).

Table 5-78. Virtual Mode Case Details for McASP1

| No. | CASE | CASE Description | Virtual Mode Settings | | Notes |
|---|--------|---|-----------------------|---------------------------|---------------------------------|
| | | | Signals | Virtual Mode Value | |
| IP Mode : ASYNC | | | | | |
| 1 | COIFOI | CLKX / FSX: Output CLKR / FSR: Input | AXR(Outputs)/CLKX/FSX | Default (No Virtual Mode) | See Figure 5-56 |
| | | | AXR(Inputs)/CLKR/FSR | MCASP1_VIRTUAL2_ASYNC_RX | |
| 2 | COIFIO | CLKX / FSR: Output CLKR / FSX: Input | AXR(Outputs)/CLKX/FSX | Default (No Virtual Mode) | See Figure 5-57 |
| | | | AXR(Inputs)/CLKR/FSR | MCASP1_VIRTUAL2_ASYNC_RX | |
| 3 | CIOFIO | CLKR / FSR: Output CLKX / FSX: Input | AXR(Outputs)/CLKX/FSX | MCASP1_VIRTUAL2_ASYNC_RX | See Figure 5-58 |
| | | | AXR(Inputs)/CLKR/FSR | Default (No Virtual Mode) | |
| 4 | CIOFOI | CLKR / FSX: Output CLKX / FSR: Input | AXR(Outputs)/CLKX/FSX | MCASP1_VIRTUAL2_ASYNC_RX | See Figure 5-59 |
| | | | AXR(Inputs)/CLKR/FSR | Default (No Virtual Mode) | |
| IP Mode : SYNC (CLKR / FSR internally generated from CLKX / FSX) | | | | | |
| 5 | CO-FO- | CLKX / FSX: Output | AXR(Outputs)/CLKX/FSX | Default (No Virtual Mode) | See Figure 5-60 |
| | | | AXR(Inputs)/CLKX/FSX | Default (No Virtual Mode) | |
| 6 | CI-FO- | FSX: Output CLKX: Input | AXR(Outputs)/CLKX/FSX | MCASP1_VIRTUAL1_SYNC_RX | See Figure 5-61 |
| | | | AXR(Inputs)/CLKX/FSX | MCASP1_VIRTUAL1_SYNC_RX | |
| 7 | CI-FI- | CLKX / FSX: Input | AXR(Outputs)/CLKX/FSX | MCASP1_VIRTUAL1_SYNC_RX | See Figure 5-62 |
| | | | AXR(Inputs)/CLKX/FSX | MCASP1_VIRTUAL1_SYNC_RX | |
| 8 | CO-FI- | CLKX: Output FSX: Input | AXR(Outputs)/CLKX/FSX | Default (No Virtual Mode) | See Figure 5-63 |
| | | | AXR(Inputs)/CLKX/FSX | Default (No Virtual Mode) | |

Table 5-79. Virtual Mode Case Details for McASP2

| No. | CASE | CASE Description | Virtual Mode Settings | | Notes |
|---|--------|----------------------------|-----------------------|--|---------------------------------|
| | | | Signals | Virtual Mode Value | |
| IP Mode : SYNC (CLKR / FSR internally generated from CLKX / FSX) | | | | | |
| 5 | CO-FO- | CLKX / FSX: Output | AXR(Outputs)/CLKX/FSX | Default (No Virtual Mode) | See Figure 5-60 |
| | | | AXR(Inputs)/CLKX/FSX | Default (No Virtual Mode) | |
| 6 | CI-FO- | FSX: Output CLKX: Input | AXR(Outputs)/CLKX/FSX | MCASP2_VIRTUAL3_SYNC_RX | See Figure 5-61 |
| | | | AXR(Inputs)/CLKX/FSX | MCASP2_VIRTUAL3_SYNC_RX | |
| 7 | CI-FI- | CLKX / FSX: Input | AXR(Outputs)/CLKX/FSX | MCASP2_VIRTUAL3_SYNC_RX ⁽¹⁾ | See Figure 5-62 |
| | | | AXR(Inputs)/CLKX/FSX | MCASP2_VIRTUAL3_SYNC_RX ⁽¹⁾ | |
| | | | AXR(Inputs)/CLKX/FSX | MCASP2_VIRTUAL1_SYNC_RX_80M ⁽²⁾ | |
| 8 | CO-FI- | CLKX: Output FSX: Input | AXR(Outputs)/CLKX/FSX | Default (No Virtual Mode) | See Figure 5-63 |
| | | | AXR(Inputs)/CLKX/FSX | Default (No Virtual Mode) | |

(1) Used up to 50MHz. Should also be used in a CI-FI- mixed case where AXR operate as both inputs and outputs (that is, AXR are bidirectional).

(2) Used in 80MHz input only mode when AXR, CLKX and FSX are all inputs.

Table 5-80. Virtual Mode Case Details for McASP3

| No. | CASE | CASE Description | Virtual Mode Settings | | Notes |
|------------------------|--------|---|-----------------------|---------------------------|---------------------------------|
| | | | Signals | Virtual Mode Value | |
| IP Mode : ASYNC | | | | | |
| 1 | COIFOI | CLKX / FSX: Output CLKR / FSR: Input | AXR(Outputs)/CLKX/FSX | Default (No Virtual Mode) | See Figure 5-56 |
| | | | AXR(Inputs)/CLKR/FSR | MCASP3_VIRTUAL2_SYNC_RX | |

Table 5-80. Virtual Mode Case Details for McASP3 (continued)

| No. | CASE | CASE Description | Virtual Mode Settings | | Notes |
|---|--------|---|-----------------------|---------------------------|---------------------------------|
| | | | Signals | Virtual Mode Value | |
| 2 | COIFIO | CLKX / FSR: Output CLKR / FSX: Input | AXR(Outputs)/CLKX/FSX | Default (No Virtual Mode) | See Figure 5-57 |
| | | | AXR(Inputs)/CLKR/FSR | MCASP3_VIRTUAL2_SYNC_RX | |
| 3 | CIOFIO | CLKR / FSR: Output CLKX / FSX: Input | AXR(Outputs)/CLKX/FSX | MCASP3_VIRTUAL2_SYNC_RX | See Figure 5-58 |
| | | | AXR(Inputs)/CLKR/FSR | MCASP3_VIRTUAL2_SYNC_RX | |
| 4 | CIOFOI | CLKR / FSX: Output CLKX / FSR: Input | AXR(Outputs)/CLKX/FSX | MCASP3_VIRTUAL2_SYNC_RX | See Figure 5-59 |
| | | | AXR(Inputs)/CLKR/FSR | MCASP3_VIRTUAL2_SYNC_RX | |
| IP Mode : SYNC (CLKR / FSR internally generated from CLKX / FSX) | | | | | |
| 5 | CO-FO- | CLKX / FSX: Output | AXR(Outputs)/CLKX/FSX | Default (No Virtual Mode) | See Figure 5-60 |
| | | | AXR(Inputs)/CLKX/FSX | Default (No Virtual Mode) | |
| 6 | CI-FO- | FSX: Output CLKX: Input | AXR(Outputs)/CLKX/FSX | MCASP3_VIRTUAL2_SYNC_RX | See Figure 5-61 |
| | | | AXR(Inputs)/CLKX/FSX | MCASP3_VIRTUAL2_SYNC_RX | |
| 7 | CI-FI- | CLKX / FSX: Input | AXR(Outputs)/CLKX/FSX | MCASP3_VIRTUAL2_SYNC_RX | See Figure 5-62 |
| | | | AXR(Inputs)/CLKX/FSX | MCASP3_VIRTUAL2_SYNC_RX | |
| 8 | CO-FI- | CLKX: Output FSX: Input | AXR(Outputs)/CLKX/FSX | Default (No Virtual Mode) | See Figure 5-63 |
| | | | AXR(Inputs)/CLKX/FSX | Default (No Virtual Mode) | |

Table 5-81. Virtual Mode Case Details for McASP4

| No. | CASE | CASE Description | Virtual Mode Settings | | Notes |
|---|--------|---|-----------------------|---------------------------|---------------------------------|
| | | | Signals | Virtual Mode Value | |
| IP Mode : ASYNC | | | | | |
| 1 | COIFOI | CLKX / FSX: Output CLKR / FSR: Input | AXR(Outputs)/CLKX/FSX | Default (No Virtual Mode) | See Figure 5-56 |
| | | | AXR(Inputs)/CLKR/FSR | MCASP4_VIRTUAL1_SYNC_RX | |
| 2 | COIFIO | CLKX / FSR: Output CLKR / FSX: Input | AXR(Outputs)/CLKX/FSX | Default (No Virtual Mode) | See Figure 5-57 |
| | | | AXR(Inputs)/CLKR/FSR | MCASP4_VIRTUAL1_SYNC_RX | |
| 3 | CIOFIO | CLKR / FSR: Output CLKX / FSX: Input | AXR(Outputs)/CLKX/FSX | MCASP4_VIRTUAL1_SYNC_RX | See Figure 5-58 |
| | | | AXR(Inputs)/CLKR/FSR | MCASP4_VIRTUAL1_SYNC_RX | |
| 4 | CIOFOI | CLKR / FSX: Output CLKX / FSR: Input | AXR(Outputs)/CLKX/FSX | MCASP4_VIRTUAL1_SYNC_RX | See Figure 5-59 |
| | | | AXR(Inputs)/CLKR/FSR | MCASP4_VIRTUAL1_SYNC_RX | |
| IP Mode : SYNC (CLKR / FSR internally generated from CLKX / FSX) | | | | | |
| 5 | CO-FO- | CLKX / FSX: Output | AXR(Outputs)/CLKX/FSX | Default (No Virtual Mode) | See Figure 5-60 |
| | | | AXR(Inputs)/CLKX/FSX | Default (No Virtual Mode) | |
| 6 | CI-FO- | FSX: Output CLKX: Input | AXR(Outputs)/CLKX/FSX | MCASP4_VIRTUAL1_SYNC_RX | See Figure 5-61 |
| | | | AXR(Inputs)/CLKX/FSX | MCASP4_VIRTUAL1_SYNC_RX | |
| 7 | CI-FI- | CLKX / FSX: Input | AXR(Outputs)/CLKX/FSX | MCASP4_VIRTUAL1_SYNC_RX | See Figure 5-62 |
| | | | AXR(Inputs)/CLKX/FSX | MCASP4_VIRTUAL1_SYNC_RX | |
| 8 | CO-FI- | CLKX: Output FSX: Input | AXR(Outputs)/CLKX/FSX | Default (No Virtual Mode) | See Figure 5-63 |
| | | | AXR(Inputs)/CLKX/FSX | Default (No Virtual Mode) | |

Table 5-82. Virtual Mode Case Details for McASP5

| No. | CASE | CASE Description | Virtual Mode Settings | | Notes |
|---|--------|--|-----------------------|---------------------------|---------------------------------|
| | | | Signals | Virtual Mode Value | |
| IP Mode : ASYNC | | | | | |
| 1 | COIFOI | CLKX / FSX: Output CLKR / FSR: Input | AXR(Outputs)/CLKX/FSX | Default (No Virtual Mode) | See Figure 5-56 |
| | | | AXR(Inputs)/CLKR/FSR | MCASP5_VIRTUAL1_SYNC_RX | |
| 2 | COIFIO | CLKX / FSR: Output CLKR / FSX: Input | AXR(Outputs)/CLKX/FSX | Default (No Virtual Mode) | See Figure 5-57 |
| | | | AXR(Inputs)/CLKR/FSR | MCASP5_VIRTUAL1_SYNC_RX | |
| 3 | CIOFIO | CLKR / FSR: Output CLKX / FSX: Input | AXR(Outputs)/CLKX/FSX | MCASP5_VIRTUAL1_SYNC_RX | See Figure 5-58 |
| | | | AXR(Inputs)/CLKR/FSR | MCASP5_VIRTUAL1_SYNC_RX | |
| 4 | CIOFOI | CLKR / FSX: Output CLKX / FSR: Input | AXR(Outputs)/CLKX/FSX | MCASP5_VIRTUAL1_SYNC_RX | See Figure 5-59 |
| | | | AXR(Inputs)/CLKR/FSR | MCASP5_VIRTUAL1_SYNC_RX | |
| IP Mode : SYNC (CLKR / FSR internally generated from CLKX / FSX) | | | | | |
| 5 | CO-FO- | CLKX / FSX: Output | AXR(Outputs)/CLKX/FSX | Default (No Virtual Mode) | See Figure 5-60 |
| | | | AXR(Inputs)/CLKX/FSX | Default (No Virtual Mode) | |
| 6 | CI-FO- | FSX: Output CLKX: Input | AXR(Outputs)/CLKX/FSX | MCASP5_VIRTUAL1_SYNC_RX | See Figure 5-61 |
| | | | AXR(Inputs)/CLKX/FSX | MCASP5_VIRTUAL1_SYNC_RX | |
| 7 | CI-FI- | CLKX / FSX: Input | AXR(Outputs)/CLKX/FSX | MCASP5_VIRTUAL1_SYNC_RX | See Figure 5-62 |
| | | | AXR(Inputs)/CLKX/FSX | MCASP5_VIRTUAL1_SYNC_RX | |
| 8 | CO-FI- | CLKX: Output FSX: Input | AXR(Outputs)/CLKX/FSX | Default (No Virtual Mode) | See Figure 5-63 |
| | | | AXR(Inputs)/CLKX/FSX | Default (No Virtual Mode) | |

Table 5-83. Virtual Mode Case Details for McASP6

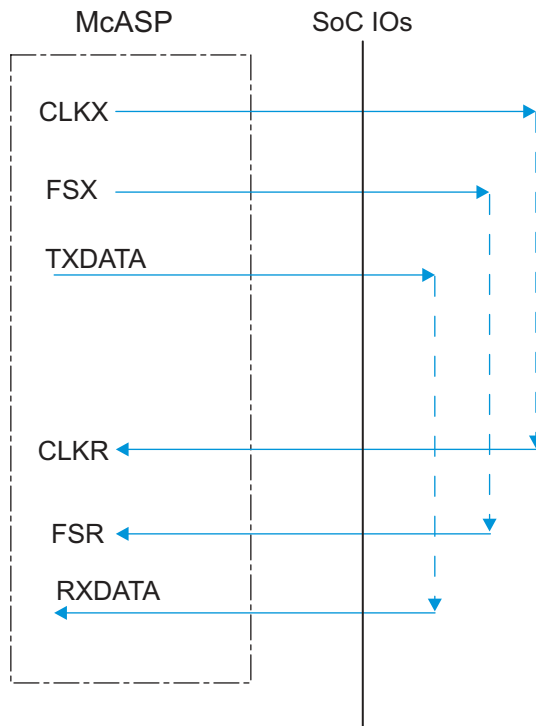
| No. | CASE | CASE Description | Virtual Mode Settings | | Notes |
|---|--------|--|-----------------------|---------------------------|---------------------------------|
| | | | Signals | Virtual Mode Value | |
| IP Mode : ASYNC | | | | | |
| 1 | COIFOI | CLKX / FSX: Output CLKR / FSR: Input | AXR(Outputs)/CLKX/FSX | Default (No Virtual Mode) | See Figure 5-56 |
| | | | AXR(Inputs)/CLKR/FSR | MCASP6_VIRTUAL1_SYNC_RX | |
| 2 | COIFIO | CLKX / FSR: Output CLKR / FSX: Input | AXR(Outputs)/CLKX/FSX | Default (No Virtual Mode) | See Figure 5-57 |
| | | | AXR(Inputs)/CLKR/FSR | MCASP6_VIRTUAL1_SYNC_RX | |
| 3 | CIOFIO | CLKR / FSR: Output CLKX / FSX: Input | AXR(Outputs)/CLKX/FSX | MCASP6_VIRTUAL1_SYNC_RX | See Figure 5-58 |
| | | | AXR(Inputs)/CLKR/FSR | MCASP6_VIRTUAL1_SYNC_RX | |
| 4 | CIOFOI | CLKR / FSX: Output CLKX / FSR: Input | AXR(Outputs)/CLKX/FSX | MCASP6_VIRTUAL1_SYNC_RX | See Figure 5-59 |
| | | | AXR(Inputs)/CLKR/FSR | MCASP6_VIRTUAL1_SYNC_RX | |
| IP Mode : SYNC (CLKR / FSR internally generated from CLKX / FSX) | | | | | |
| 5 | CO-FO- | CLKX / FSX: Output | AXR(Outputs)/CLKX/FSX | Default (No Virtual Mode) | See Figure 5-60 |
| | | | AXR(Inputs)/CLKX/FSX | Default (No Virtual Mode) | |
| 6 | CI-FO- | FSX: Output CLKX: Input | AXR(Outputs)/CLKX/FSX | MCASP6_VIRTUAL1_SYNC_RX | See Figure 5-61 |
| | | | AXR(Inputs)/CLKX/FSX | MCASP6_VIRTUAL1_SYNC_RX | |
| 7 | CI-FI- | CLKX / FSX: Input | AXR(Outputs)/CLKX/FSX | MCASP6_VIRTUAL1_SYNC_RX | See Figure 5-62 |
| | | | AXR(Inputs)/CLKX/FSX | MCASP6_VIRTUAL1_SYNC_RX | |
| 8 | CO-FI- | CLKX: Output FSX: Input | AXR(Outputs)/CLKX/FSX | Default (No Virtual Mode) | See Figure 5-63 |
| | | | AXR(Inputs)/CLKX/FSX | Default (No Virtual Mode) | |

Table 5-84. Virtual Mode Case Details for McASP7

| No. | CASE | CASE Description | Virtual Mode Settings | | Notes |
|---|--------|--|-----------------------|---------------------------|---------------------------------|
| | | | Signals | Virtual Mode Value | |
| IP Mode : ASYNC | | | | | |
| 1 | COIFOI | CLKX / FSX: Output CLKR / FSR: Input | AXR(Outputs)/CLKX/FSX | Default (No Virtual Mode) | See Figure 5-56 |
| | | | AXR(Inputs)/CLKR/FSR | MCASP7_VIRTUAL2_SYNC_RX | |
| 2 | COIFIO | CLKX / FSR: Output CLKR / FSX: Input | AXR(Outputs)/CLKX/FSX | Default (No Virtual Mode) | See Figure 5-57 |
| | | | AXR(Inputs)/CLKR/FSR | MCASP7_VIRTUAL2_SYNC_RX | |
| 3 | CIOFIO | CLKR / FSR: Output CLKX / FSX: Input | AXR(Outputs)/CLKX/FSX | MCASP7_VIRTUAL2_SYNC_RX | See Figure 5-58 |
| | | | AXR(Inputs)/CLKR/FSR | MCASP7_VIRTUAL2_SYNC_RX | |
| 4 | CIOFOI | CLKR / FSX: Output CLKX / FSR: Input | AXR(Outputs)/CLKX/FSX | MCASP7_VIRTUAL2_SYNC_RX | See Figure 5-59 |
| | | | AXR(Inputs)/CLKR/FSR | MCASP7_VIRTUAL2_SYNC_RX | |
| IP Mode : SYNC (CLKR / FSR internally generated from CLKX / FSX) | | | | | |
| 5 | CO-FO- | CLKX / FSX: Output | AXR(Outputs)/CLKX/FSX | Default (No Virtual Mode) | See Figure 5-60 |
| | | | AXR(Inputs)/CLKX/FSX | Default (No Virtual Mode) | |
| 6 | CI-FO- | FSX: Output CLKX: Input | AXR(Outputs)/CLKX/FSX | MCASP7_VIRTUAL2_SYNC_RX | See Figure 5-61 |
| | | | AXR(Inputs)/CLKX/FSX | MCASP7_VIRTUAL2_SYNC_RX | |
| 7 | CI-FI- | CLKX / FSX: Input | AXR(Outputs)/CLKX/FSX | MCASP7_VIRTUAL2_SYNC_RX | See Figure 5-62 |
| | | | AXR(Inputs)/CLKX/FSX | MCASP7_VIRTUAL2_SYNC_RX | |
| 8 | CO-FI- | CLKX: Output FSX: Input | AXR(Outputs)/CLKX/FSX | Default (No Virtual Mode) | See Figure 5-63 |
| | | | AXR(Inputs)/CLKX/FSX | Default (No Virtual Mode) | |

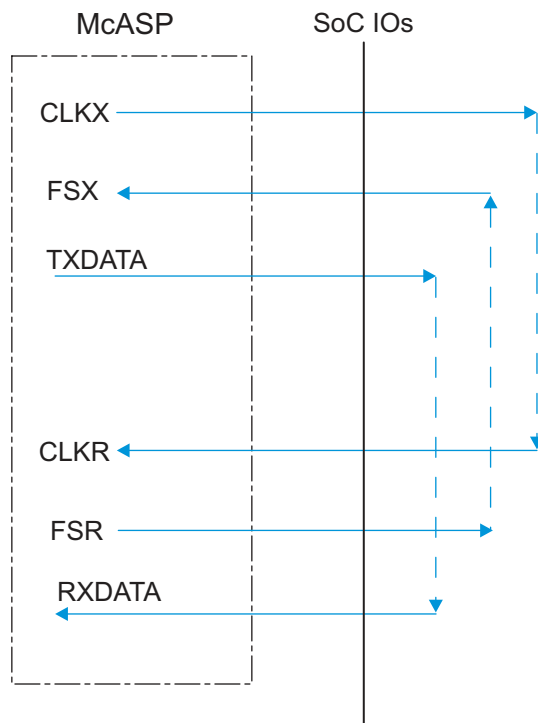
Table 5-85. Virtual Mode Case Details for McASP8

| No. | CASE | CASE Description | Virtual Mode Settings | | Notes |
|---|--------|--|-----------------------|---------------------------|---------------------------------|
| | | | Signals | Virtual Mode Value | |
| IP Mode : ASYNC | | | | | |
| 1 | COIFOI | CLKX / FSX: Output CLKR / FSR: Input | AXR(Outputs)/CLKX/FSX | Default (No Virtual Mode) | See Figure 5-56 |
| | | | AXR(Inputs)/CLKR/FSR | MCASP8_VIRTUAL1_SYNC_RX | |
| 2 | COIFIO | CLKX / FSR: Output CLKR / FSX: Input | AXR(Outputs)/CLKX/FSX | Default (No Virtual Mode) | See Figure 5-57 |
| | | | AXR(Inputs)/CLKR/FSR | MCASP8_VIRTUAL1_SYNC_RX | |
| 3 | CIOFIO | CLKR / FSR: Output CLKX / FSX: Input | AXR(Outputs)/CLKX/FSX | MCASP8_VIRTUAL1_SYNC_RX | See Figure 5-58 |
| | | | AXR(Inputs)/CLKR/FSR | MCASP8_VIRTUAL1_SYNC_RX | |
| 4 | CIOFOI | CLKR / FSX: Output CLKX / FSR: Input | AXR(Outputs)/CLKX/FSX | MCASP8_VIRTUAL1_SYNC_RX | See Figure 5-59 |
| | | | AXR(Inputs)/CLKR/FSR | MCASP8_VIRTUAL1_SYNC_RX | |
| IP Mode : SYNC (CLKR / FSR internally generated from CLKX / FSX) | | | | | |
| 5 | CO-FO- | CLKX / FSX: Output | AXR(Outputs)/CLKX/FSX | Default (No Virtual Mode) | See Figure 5-60 |
| | | | AXR(Inputs)/CLKX/FSX | Default (No Virtual Mode) | |
| 6 | CI-FO- | FSX: Output CLKX: Input | AXR(Outputs)/CLKX/FSX | MCASP8_VIRTUAL1_SYNC_RX | See Figure 5-61 |
| | | | AXR(Inputs)/CLKX/FSX | MCASP8_VIRTUAL1_SYNC_RX | |
| 7 | CI-FI- | CLKX / FSX: Input | AXR(Outputs)/CLKX/FSX | MCASP8_VIRTUAL1_SYNC_RX | See Figure 5-62 |
| | | | AXR(Inputs)/CLKX/FSX | MCASP8_VIRTUAL1_SYNC_RX | |
| 8 | CO-FI- | CLKX: Output FSX: Input | AXR(Outputs)/CLKX/FSX | Default (No Virtual Mode) | See Figure 5-63 |
| | | | AXR(Inputs)/CLKX/FSX | Default (No Virtual Mode) | |



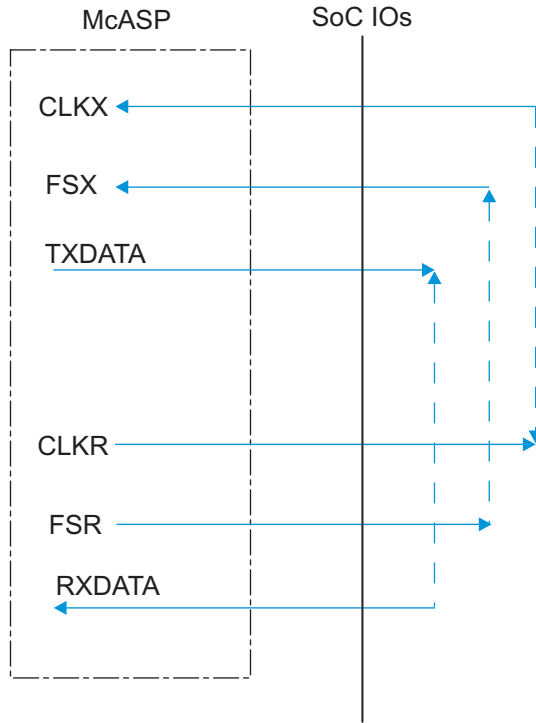
SPRS906_MCASP_uc_01

Figure 5-56. McASP1-8 COIFOI – ASYNC Mode



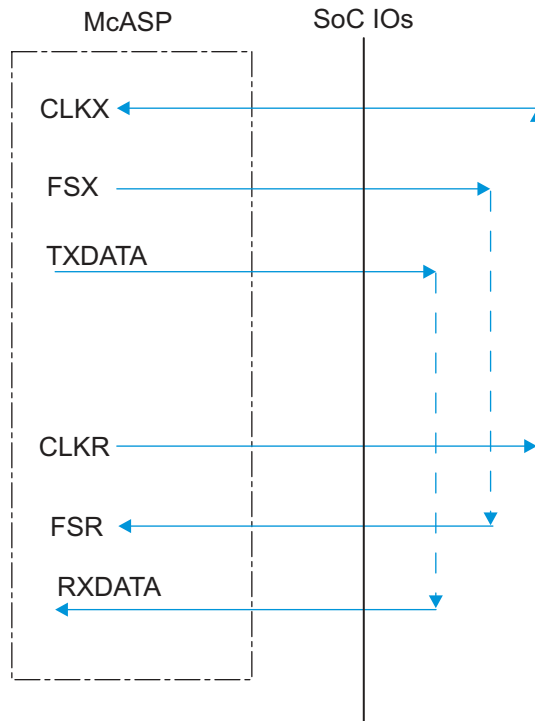
SPRS906_MCASP_uc_02

Figure 5-57. McASP1-8 COIFIO – ASYNC Mode



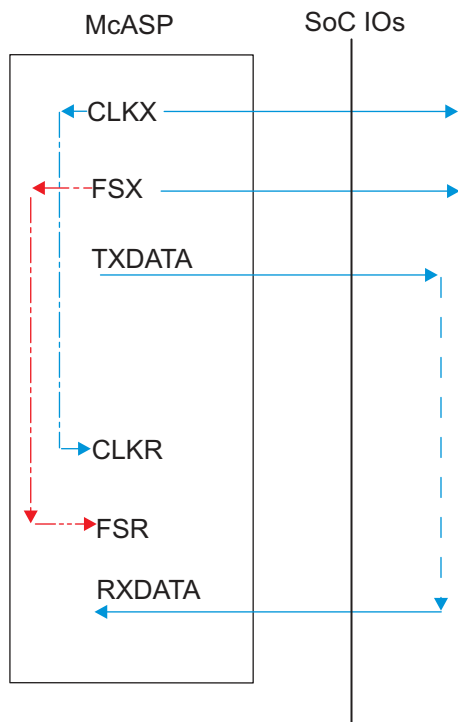
SPRS906_MCASP_uc_03

Figure 5-58. McASP1-8 CIOFIO – ASYNC Mode



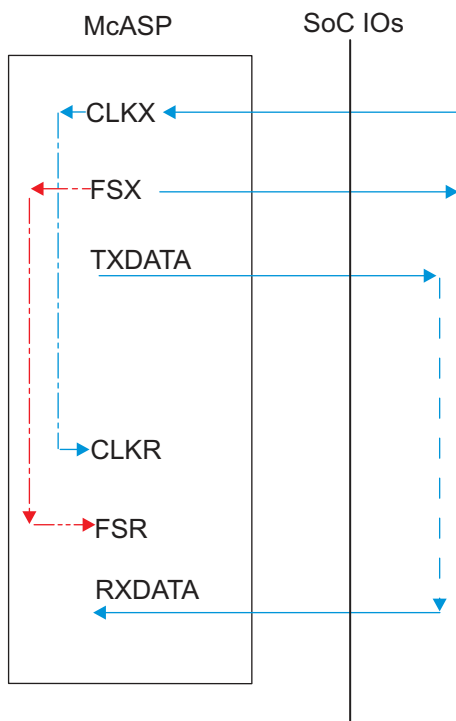
SPRS906_MCASP_uc_04

Figure 5-59. McASP1-8 CIOFOI – ASYNC Mode



SPRS906_MCASP_uc_05

Figure 5-60. McASP1-8 CO-FO- – SYNC Mode



SPRS906_MCASP_uc_06

Figure 5-61. McASP1-8 CI-FO- – SYNC Mode

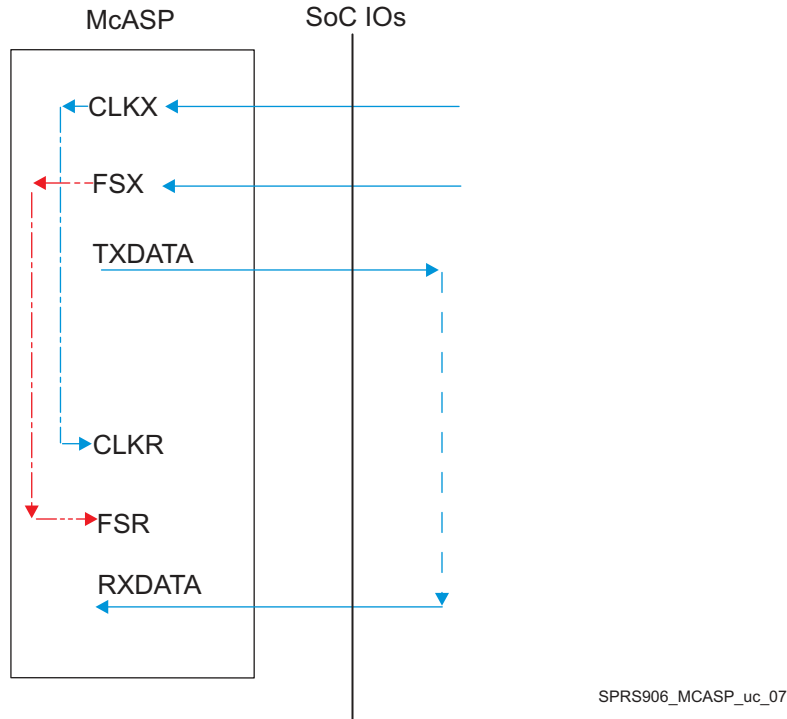


Figure 5-62. McASP1-8 CI-FI – SYNC Mode

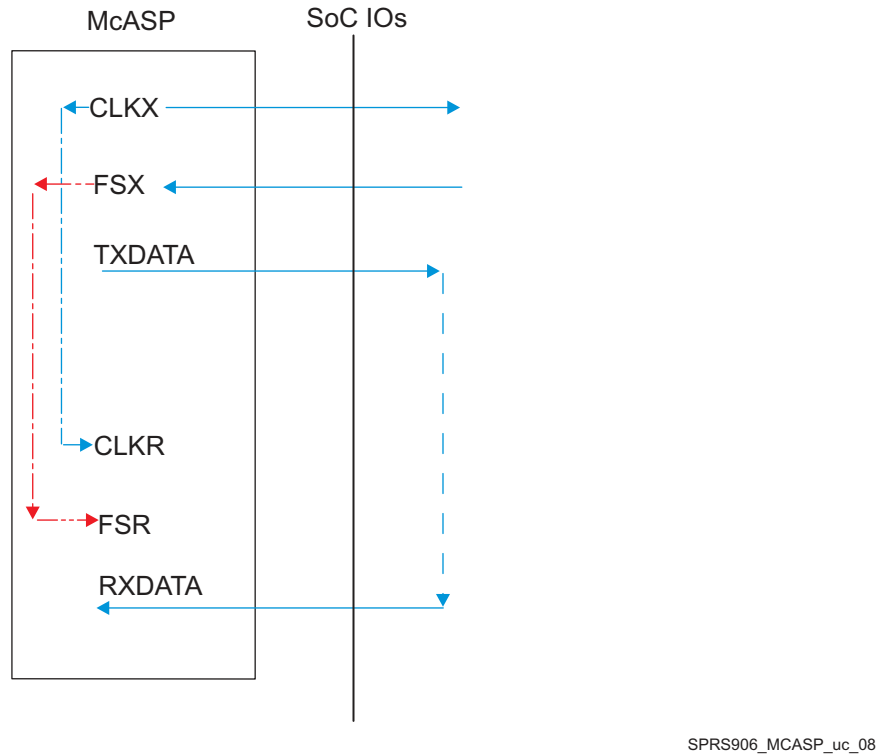


Figure 5-63. McASP1-8 CO-FI – SYNC Mode

NOTE

To configure the desired virtual mode the user must set MODESELECT bit and DELAYMODE bitfield for each corresponding pad control register.

The pad control registers are presented in [Table 4-31](#) and described in Device TRM, *Control Module Chapter*.

CAUTION

The I/O Timings provided in this section are valid only for some McASP usage modes when the corresponding Virtual I/O Timings or Manual I/O Timings are configured as described in the tables found in this section.

Virtual IO Timings Modes must be used to ensure some IO timings for McASP1. See [Table 5-30 Modes Summary](#) for a list of IO timings requiring the use of Virtual IO Timings Modes. See [Table 5-86 Virtual Functions Mapping for McASP1](#) for a definition of the Virtual modes.

[Table 5-86](#) presents the values for DELAYMODE bitfield.

Table 5-86. Virtual Functions Mapping for McASP1

| BALL | BALL NAME | Delay Mode Value | | MUXMODE | | |
|------|--------------|-------------------------|--------------------------|--------------|--------------|-------------|
| | | MCASP1_VIRTUAL1_SYNC_RX | MCASP1_VIRTUAL2_ASYNC_RX | 0 | 1 | 2 |
| C16 | mcasp1_aclkx | 15 | 14 | mcasp1_aclkx | | |
| H21 | gpio6_14 | 14 | 13 | | mcasp1_axr8 | |
| E17 | mcasp1_axr13 | 15 | 14 | mcasp1_axr13 | | |
| A15 | mcasp1_axr4 | 14 | 13 | mcasp1_axr4 | | |
| H24 | xref_clk2 | 14 | 13 | | | mcasp1_axr6 |
| B17 | mcasp1_axr9 | 15 | 14 | mcasp1_axr9 | | |
| A16 | mcasp1_axr7 | 14 | 13 | mcasp1_axr7 | | |
| A19 | mcasp1_axr12 | 15 | 14 | mcasp1_axr12 | | |
| K23 | gpio6_16 | 14 | 13 | | mcasp1_axr10 | |
| K22 | gpio6_15 | 14 | 13 | | mcasp1_axr9 | |
| H25 | xref_clk3 | 14 | 13 | | | mcasp1_axr7 |
| A17 | mcasp1_axr6 | 14 | 13 | mcasp1_axr6 | | |
| B16 | mcasp1_axr10 | 15 | 14 | mcasp1_axr10 | | |
| D17 | mcasp1_fsr | N/A | 14 | mcasp1_fsr | | |
| A18 | mcasp1_axr8 | 15 | 14 | mcasp1_axr8 | | |
| B18 | mcasp1_axr11 | 15 | 14 | mcasp1_axr11 | | |
| C14 | mcasp1_axr2 | 14 | 13 | mcasp1_axr2 | | |
| C17 | mcasp1_fsx | 15 | 14 | mcasp1_fsx | | |
| E16 | mcasp1_axr14 | 15 | 14 | mcasp1_axr14 | | |
| F16 | mcasp1_axr15 | 15 | 14 | mcasp1_axr15 | | |
| B14 | mcasp1_axr1 | 15 | 14 | mcasp1_axr1 | | |
| D16 | mcasp1_aclkr | N/A | 14 | mcasp1_aclkr | | |
| A14 | mcasp1_axr5 | 14 | 13 | mcasp1_axr5 | | |
| J24 | xref_clk1 | 15 | 14 | | | mcasp1_axr5 |
| D14 | mcasp1_axr0 | 15 | 14 | mcasp1_axr0 | | |
| B15 | mcasp1_axr3 | 14 | 13 | mcasp1_axr3 | | |
| J25 | xref_clk0 | 15 | 14 | | | mcasp1_axr4 |

Virtual IO Timings Modes must be used to ensure some IO timings for McASP2. See [Table 5-30 Modes Summary](#) for a list of IO timings requiring the use of Virtual IO Timings Modes. See [Table 5-87 Virtual Functions Mapping for McASP2](#) for a definition of the Virtual modes.

[Table 5-87](#) presents the values for DELAYMODE bitfield.

Table 5-87. Virtual Functions Mapping for McASP2

| BALL | BALL NAME | Delay Mode Value | | | | MUXMODE | | |
|------|--------------|-----------------------------|--------------------------|-------------------------|------------------------------|--------------|--------------|--------------|
| | | MCASP2_VIRTUAL1_SYNC_RX_80M | MCASP2_VIRTUAL2_ASYNC_RX | MCASP2_VIRTUAL3_SYNC_RX | MCASP2_VIRTUAL4_ASYNC_RX_80M | 0 | 1 | 2 |
| B22 | mcasp3_axr0 | 15 | 14 | 10 | 9 | | | mcasp2_axr14 |
| D20 | mcasp2_axr6 | 14 | 13 | 12 | 11 | mcasp2_axr6 | | |
| C19 | mcasp2_axr5 | 14 | 13 | 12 | 11 | mcasp2_axr5 | | |
| D19 | mcasp2_fsx | 15 | 14 | 10 | 9 | mcasp2_fsx | | |
| H24 | xref_clk2 | 12 | 11 | 10 | 9 | | mcasp2_axr10 | |
| B21 | mcasp2_axr3 | 15 | 14 | 10 | 9 | mcasp2_axr3 | | |
| A22 | mcasp3_aclkx | 15 | 14 | 10 | 9 | | | mcasp2_axr12 |
| E19 | mcasp2_aclkx | 15 | 14 | 10 | 9 | mcasp2_aclkx | | |
| C20 | mcasp2_axr7 | 14 | 13 | 12 | 11 | mcasp2_axr7 | | |
| H25 | xref_clk3 | 12 | 11 | 10 | 9 | | mcasp2_axr11 | |
| B23 | mcasp3_axr1 | 15 | 14 | 10 | 8 | | | mcasp2_axr15 |
| A23 | mcasp3_fsx | 15 | 14 | 10 | 9 | | | mcasp2_axr13 |
| A21 | mcasp2_axr2 | 15 | 14 | 10 | 9 | mcasp2_axr2 | | |
| B20 | mcasp2_axr4 | 14 | 13 | 12 | 11 | mcasp2_axr4 | | |
| J24 | xref_clk1 | 10 | 9 | 8 | 6 | | mcasp2_axr9 | |
| B19 | mcasp2_axr1 | 14 | 13 | 12 | 11 | mcasp2_axr1 | | |
| A20 | mcasp2_axr0 | 14 | 13 | 12 | 11 | mcasp2_axr0 | | |
| J25 | xref_clk0 | 10 | 9 | 8 | 6 | | mcasp2_axr8 | |

Virtual IO Timings Modes must be used to ensure some IO timings for McASP3/4/5/6/7/8. See [Table 5-30 Modes Summary](#) for a list of IO timings requiring the use of Virtual IO Timings Modes. See [Table 5-88 Virtual Functions Mapping for McASP3/4/5/6/7/8](#) for a definition of the Virtual modes.

[Table 5-88](#) presents the values for DELAYMODE bitfield.

Table 5-88. Virtual Functions Mapping for McASP3/4/5/6/7/8

| BALL | BALL NAME | Delay Mode Value | MUXMODE | | |
|--------------------------------|--------------|------------------|--------------|--------------|--------------|
| | | | 0 | 1 | 2 |
| MCASP3_VIRTUAL2_SYNC_RX | | | | | |
| B21 | mcasp2_axr3 | 8 | | mcasp3_axr3 | |
| A22 | mcasp3_aclkx | 8 | mcasp3_aclkx | mcasp3_aclkr | |
| B22 | mcasp3_axr0 | 8 | mcasp3_axr0 | | |
| B23 | mcasp3_axr1 | 6 | mcasp3_axr1 | | |
| A23 | mcasp3_fsx | 8 | mcasp3_fsx | mcasp3_fsr | |
| A21 | mcasp2_axr2 | 8 | | mcasp3_axr2 | |
| MCASP4_VIRTUAL1_SYNC_RX | | | | | |
| B25 | mcasp4_fsx | 14 | mcasp4_fsx | mcasp4_fsr | |
| C23 | mcasp4_aclkx | 14 | mcasp4_aclkx | mcasp4_aclkr | |
| A24 | mcasp4_axr0 | 14 | mcasp4_axr0 | | |
| D23 | mcasp4_axr1 | 14 | mcasp4_axr1 | | |
| A14 | mcasp1_axr5 | 12 | | mcasp4_axr3 | |
| A15 | mcasp1_axr4 | 12 | | mcasp4_axr2 | |
| MCASP5_VIRTUAL1_SYNC_RX | | | | | |
| AC3 | mcasp5_aclkx | 14 | mcasp5_aclkx | mcasp5_aclkr | |
| U6 | mcasp5_fsx | 14 | mcasp5_fsx | mcasp5_fsr | |
| AC4 | mcasp5_axr1 | 14 | mcasp5_axr1 | | |
| A17 | mcasp1_axr6 | 12 | | mcasp5_axr2 | |
| AA5 | mcasp5_axr0 | 14 | mcasp5_axr0 | | |
| A16 | mcasp1_axr7 | 12 | | mcasp5_axr3 | |
| MCASP6_VIRTUAL1_SYNC_RX | | | | | |
| C14 | mcasp1_axr2 | 12 | | mcasp6_axr2 | |
| B15 | mcasp1_axr3 | 12 | | mcasp6_axr3 | |
| B16 | mcasp1_axr10 | 10 | | mcasp6_aclkx | mcasp6_aclkr |
| B17 | mcasp1_axr9 | 10 | | mcasp6_axr1 | |
| A18 | mcasp1_axr8 | 10 | | mcasp6_axr0 | |
| B18 | mcasp1_axr11 | 10 | | mcasp6_fsx | mcasp6_fsr |
| MCASP7_VIRTUAL2_SYNC_RX | | | | | |
| A19 | mcasp1_axr12 | 10 | | mcasp7_axr0 | |
| F16 | mcasp1_axr15 | 10 | | mcasp7_fsx | mcasp7_fsr |
| E16 | mcasp1_axr14 | 10 | | mcasp7_aclkx | mcasp7_aclkr |

Table 5-88. Virtual Functions Mapping for McASP3/4/5/6/7/8 (continued)

| BALL | BALL NAME | Delay Mode Value | MUXMODE | | |
|--------------------------------|--------------|------------------|---------|--------------|--------------|
| | | | 0 | 1 | 2 |
| E17 | mcasp1_axr13 | 10 | | mcasp7_axr1 | |
| D16 | mcasp1_aclkr | 13 | | mcasp7_axr2 | |
| D17 | mcasp1_fsr | 13 | | mcasp7_axr3 | |
| MCASP8_VIRTUAL1_SYNC_RX | | | | | |
| B20 | mcasp2_axr4 | 10 | | mcasp8_axr0 | |
| C20 | mcasp2_axr7 | 10 | | mcasp8_fsx | mcasp8_fsr |
| D20 | mcasp2_axr6 | 10 | | mcasp8_aclkx | mcasp8_aclkr |
| C19 | mcasp2_axr5 | 10 | | mcasp8_axr1 | |

5.10.6.16 USB

SuperSpeed USB DRD Subsystem has four instances in the device providing the following functions:

- USB1: SuperSpeed (SS) USB 3.0 Dual-Role-Device (DRD) subsystem with integrated SS (USB3.0) PHY and HS/FS (USB2.0) PHY.
- USB2: High-Speed (HS) USB 2.0 Dual-Role-Device (DRD) subsystem with integrated HS/FS PHY.

NOTE

For more information, see the SuperSpeed USB DRD section of the Device TRM.

5.10.6.16.1 USB1 DRD PHY

The USB1 DRD interface supports the following applications:

- USB2.0 High-Speed PHY port (1.8 V and 3.3 V): this asynchronous high-speed interface is compliant with the USB2.0 PHY standard with an internal transceiver (USB2.0 standard v2.0), for a maximum data rate of 480 Mbps.
- USB3.0 Super-Speed PHY port (1.8 V): this asynchronous differential super-speed interface is compliant with the USB3.0 RX/TX PHY standard (USB3.0 standard v1.0) for a maximum data bit rate of 5Gbps.

5.10.6.16.2 USB2 PHY

The USB2 interface supports the following applications:

- USB2.0 High-Speed PHY port (1.8 V and 3.3 V): this asynchronous high-speed interface is compliant with the USB2.0 PHY standard with an internal transceiver (USB2.0 standard v2.0), for a maximum data rate of 480 Mbps.

5.10.6.17 PCIe

The device supports connections to PCIe-compliant devices via the integrated PCIe master/slave bus interface. The PCIe module is comprised of a dual-mode PCIe core and a SerDes PHY. Each PCIe subsystem controller has support for PCIe Gen-II mode (5.0 Gbps /lane) and Gen-I mode (2.5 Gbps/lane) (Single Lane and Flexible dual lane configuration).

The device PCIe supports the following features:

- 16-bit operation @250 MHz on PIPE interface (per 16-bit lane)
- Supports 2 ports × 1-lane or 1 port × 2-lanes configuration
- Single virtual channel (VC0), single traffic class (TC0)
- Single function in end-point mode
- Automatic width and speed negotiation
- Max payload: 128 byte outbound, 256 byte inbound
- Automatic credit management
- ECRC generation and checking
- Configurable BAR filtering
- Legacy interrupt reception (RC) and generation (EP)
- MSI generation and reception
- PCI Express Active State Power Management (ASPM) state L0s and L1 (with exceptions)
- All PCI Device Power Management D-states with the exception of D3_{cold} / L2 state

The PCIe controller on this device conforms to the PCI Express Base 3.0 Specification, revision 1.0 and the PCI Local Bus Specification, revision 3.0.

NOTE

For more information, see the PCIe Controller section of the Device TRM.

5.10.6.18 DCAN

The device provides two DCAN interfaces for supporting distributed realtime control with a high level of security. The DCAN interfaces implement the following features:

- Supports CAN protocol version 2.0 part A, B
- Bit rates up to 1 MBit/s
- 64 message objects
- Individual identifier mask for each message object
- Programmable FIFO mode for message objects
- Programmable loop-back modes for self-test operation
- Suspend mode for debug support
- Software module reset
- Automatic bus on after Bus-Off state by a programmable 32-bit timer
- Direct access to Message RAM during test mode
- CAN Rx/Tx pins are configurable as general-purpose IO pins
- Two interrupt lines (plus additional parity-error interrupts line)
- RAM initialization
- DMA support

NOTE

For more information, see the DCAN section of the Device TRM.

NOTE

The Controller Area Network Interface x (x = 1 to 2) is also referred to as DCANx.

NOTE

Refer to the CAN Specification for calculations necessary to validate timing compliance. Jitter tolerance calculations must be performed to validate the implementation.

[Table 5-89](#) and [Table 5-90](#) present timing and switching characteristics for DCANx Interface.

Table 5-89. Timing Requirements for DCANx Receive

| NO. | PARAMETER | DESCRIPTION | MIN | NOM | MAX | UNIT |
|-----|------------------------|--|-----|-----|-----|------|
| - | $f_{(\text{baud})}$ | Maximum programmable baud rate | | | 1 | Mbps |
| - | $t_{d(\text{DCANRX})}$ | Delay time, DCANx_RX pin to receive shift register | | | 15 | ns |

Table 5-90. Switching Characteristics Over Recommended Operating Conditions for DCANx Transmit

| NO. | PARAMETER | DESCRIPTION | MIN | MAX | UNIT |
|-----|------------------------|--|-----|-----|------|
| - | $f_{(\text{baud})}$ | Maximum programmable baud rate | | 1 | Mbps |
| - | $t_{d(\text{DCANTX})}$ | Delay time, Transmit shift register to DCANx_TX pin ⁽¹⁾ | | 23 | ns |

(1) These values do not include rise/fall times of the output buffer.

5.10.6.19 GMAC_SW

The three-port gigabit ethernet switch subsystem (GMAC_SW) provides ethernet packet communication and can be configured as an ethernet switch. It provides the Gigabit Media Independent Interface (G/MII) in MII mode, Reduced Gigabit Media Independent Interface (RGMII), Reduced Media Independent Interface (RMII), and the Management Data Input/Output (MDIO) for physical layer device (PHY) management.

NOTE

For more information, see the Ethernet Subsystem section of the Device TRM.

NOTE

The Gigabit, Reduced and Media Independent Interface n (n = 0 to 1) are also referred to as MII_n, RMII_n and RGMII_n.

CAUTION

The I/O timings provided in this section are valid only if signals within a single IOSET are used. The IOSETs are defined in [Table 5-95](#), [Table 5-98](#), [Table 5-103](#) and [Table 5-110](#).

CAUTION

The I/O Timings provided in this section are valid only for some GMAC usage modes when the corresponding Virtual I/O Timings or Manual I/O Timings are configured as described in the tables found in this section.

[Table 5-91](#) and [Figure 5-64](#) present timing requirements for MII_n in receive operation.

5.10.6.19.1 GMAC MII Timings

Table 5-91. Timing Requirements for miin_rxclk - MII Operation

| NO. | PARAMETER | DESCRIPTION | SPEED | MIN | MAX | UNIT |
|-----|-------------------|---------------------------------|----------|-----|-----|------|
| 1 | $t_{c(RX_CLK)}$ | Cycle time, miin_rxclk | 10 Mbps | 400 | | ns |
| | | | 100 Mbps | 40 | | ns |
| 2 | $t_{w(RX_CLKH)}$ | Pulse duration, miin_rxclk high | 10 Mbps | 140 | 260 | ns |
| | | | 100 Mbps | 14 | 26 | ns |
| 3 | $t_{w(RX_CLKL)}$ | Pulse duration, miin_rxclk low | 10 Mbps | 140 | 260 | ns |
| | | | 100 Mbps | 14 | 26 | ns |
| 4 | $t_{t(RX_CLK)}$ | Transition time, miin_rxclk | 10 Mbps | | 3 | ns |
| | | | 100 Mbps | | 3 | ns |

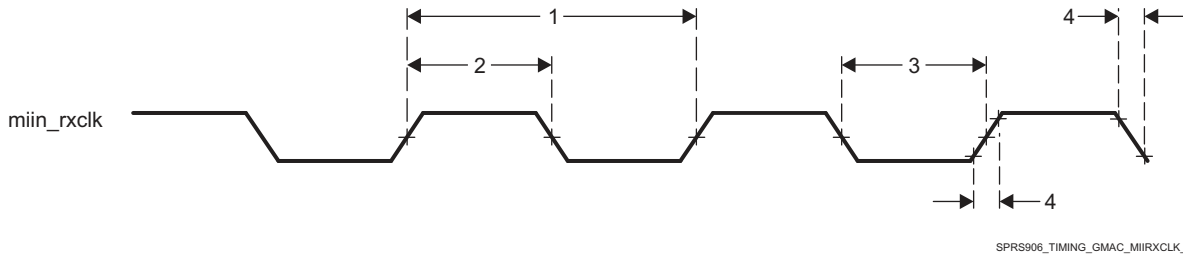


Figure 5-64. Clock Timing (GMAC Receive) - MIIn operation

Table 5-92 and Figure 5-65 present timing requirements for MIIn in transmit operation.

Table 5-92. Timing Requirements for miin_txclk - MII Operation

| NO. | PARAMETER | DESCRIPTION | SPEED | MIN | MAX | UNIT |
|-----|-----------------|---------------------------------|----------|-----|-----|------|
| 1 | $t_c(TX_CLK)$ | Cycle time, miin_txclk | 10 Mbps | 400 | | ns |
| | | | 100 Mbps | 40 | | ns |
| 2 | $t_w(TX_CLKH)$ | Pulse duration, miin_txclk high | 10 Mbps | 140 | 260 | ns |
| | | | 100 Mbps | 14 | 26 | ns |
| 3 | $t_w(TX_CLKL)$ | Pulse duration, miin_txclk low | 10 Mbps | 140 | 260 | ns |
| | | | 100 Mbps | 14 | 26 | ns |
| 4 | $t_t(TX_CLK)$ | Transition time, miin_txclk | 10 Mbps | | 3 | ns |
| | | | 100 Mbps | | 3 | ns |

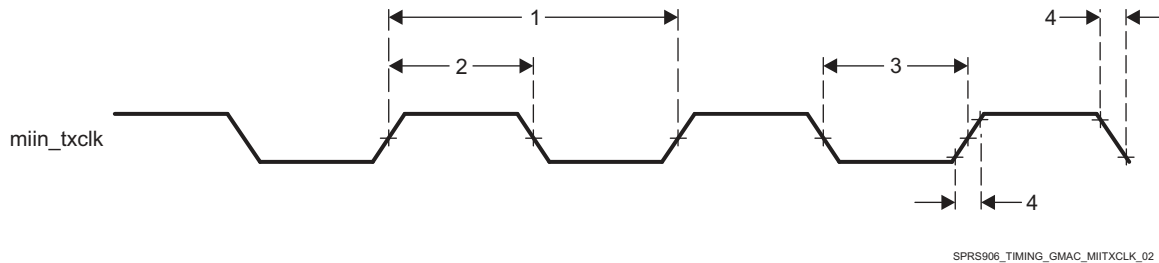
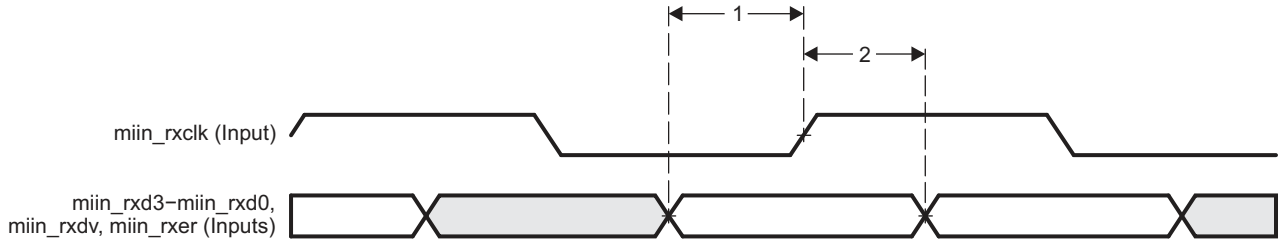


Figure 5-65. Clock Timing (GMAC Transmit) - MIIn operation

Table 5-93 and Figure 5-66 present timing requirements for GMAC MIIn Receive 10/100Mbit/s.

Table 5-93. Timing Requirements for GMAC MIIn Receive 10/100 Mbit/s

| NO. | PARAMETER | DESCRIPTION | MIN | MAX | UNIT |
|-----|--------------------------|--|-----|-----|------|
| 1 | $t_{su}(RXD-RX_CLK)$ | Setup time, receive selected signals valid before miin_rxclk | 8 | | ns |
| | $t_{su}(RX_DV-RX_CLK)$ | | | | |
| | $t_{su}(RX_ER-RX_CLK)$ | | | | |
| 2 | $t_h(RX_CLK-RXD)$ | Hold time, receive selected signals valid after miin_rxclk | 8 | | ns |
| | $t_h(RX_CLK-RX_DV)$ | | | | |
| | $t_h(RX_CLK-RX_ER)$ | | | | |



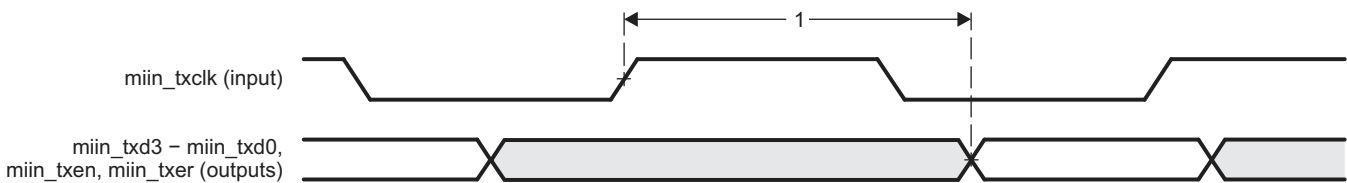
SPRS906_TIMING_GMAC_MII RCV_03

Figure 5-66. GMAC Receive Interface Timing MII operation

Table 5-94 and Figure 5-67 present timing requirements for GMAC MII Transmit 10/100Mbit/s.

Table 5-94. Switching Characteristics Over Recommended Operating Conditions for GMAC MII Transmit 10/100 Mbits/s

| NO. | PARAMETER | DESCRIPTION | MIN | MAX | UNIT |
|-----|-----------------------|---|-----|-----|------|
| 1 | $t_d(TX_CLK-TXD)$ | Delay time, miin_txclk to transmit selected signals valid | 0 | 25 | ns |
| | $t_d(TX_CLK-TX_EN)$ | | | | |
| | $t_d(TX_CLK-TX_ER)$ | | | | |



SPRS906_TIMING_GMAC_MII TX_04

Figure 5-67. GMAC Transmit Interface Timing MII operation

In Table 5-95 are presented the specific groupings of signals (IOSET) for use with GMAC MII signals.

Table 5-95. GMAC MII IOSETs

| SIGNALS | IOSET5 | | IOSET6 | |
|------------------|--------|-----|--------|-----|
| | BALL | MUX | BALL | MUX |
| GMAC MII1 | | | | |
| mii1_txd3 | E11 | 8 | | |
| mii1_txd2 | A13 | 8 | | |
| mii1_txd1 | A12 | 8 | | |
| mii1_txd0 | B12 | 8 | | |
| mii1_rxd3 | B10 | 8 | | |
| mii1_rxd2 | A10 | 8 | | |
| mii1_rxd1 | F10 | 8 | | |
| mii1_rxd0 | E10 | 8 | | |
| mii1_col | E13 | 8 | | |
| mii1_rxer | B13 | 8 | | |
| mii1_txer | F11 | 8 | | |
| mii1_txen | D13 | 8 | | |
| mii1_crs | C13 | 8 | | |
| mii1_rxclk | B11 | 8 | | |
| mii1_txclk | C11 | 8 | | |
| mii1_rxdv | D11 | 8 | | |

Table 5-95. GMAC MII IOSETs (continued)

| SIGNALS | IOSET5 | | IOSET6 | |
|------------------|--------|-----|--------|-----|
| | BALL | MUX | BALL | MUX |
| GMAC MII0 | | | | |
| mii0_txd3 | | | P2 | 3 |
| mii0_txd2 | | | N1 | 3 |
| mii0_txd1 | | | N3 | 3 |
| mii0_txd0 | | | N4 | 3 |
| mii0_rxd3 | | | T4 | 3 |
| mii0_rxd2 | | | T5 | 3 |
| mii0_rxd1 | | | R2 | 3 |
| mii0_rxd0 | | | R1 | 3 |
| mii0_txclk | | | N2 | 3 |
| mii0_txer | | | L6 | 3 |
| mii0_rxer | | | P3 | 3 |
| mii0_rxdv | | | N5 | 3 |
| mii0_crs | | | P4 | 3 |
| mii0_col | | | L5 | 3 |
| mii0_rxclk | | | N6 | 3 |
| mii0_txen | | | P1 | 3 |

5.10.6.19.2 GMAC MDIO Interface Timings

CAUTION

The I/O Timings provided in this section are valid only for some GMAC usage modes when the corresponding Virtual I/O Timings or Manual I/O Timings are configured as described in the tables found in this section.

Table 5-96, Table 5-96 and Figure 5-68 present timing requirements for MDIO.

Table 5-96. Timing Requirements for MDIO Input

| No | PARAMETER | DESCRIPTION | MIN | MAX | UNIT |
|-------|--------------------|--|-----|-----|------|
| MDIO1 | $t_{c(MDC)}$ | Cycle time, MDC | 400 | | ns |
| MDIO2 | $t_{w(MDCH)}$ | Pulse Duration, MDC High | 160 | | ns |
| MDIO3 | $t_{w(MDCL)}$ | Pulse Duration, MDC Low | 160 | | ns |
| MDIO4 | $t_{su(MDIO-MDC)}$ | Setup time, MDIO valid before MDC High | 90 | | ns |
| MDIO5 | $t_{h(MDIO_MDC)}$ | Hold time, MDIO valid from MDC High | 0 | | ns |

Table 5-97. Switching Characteristics Over Recommended Operating Conditions for MDIO Output

| NO | PARAMETER | DESCRIPTION | MIN | MAX | UNIT |
|-------|-------------------|-----------------------------------|------|-----|------|
| MDIO6 | $t_{t(MDC)}$ | Transition time, MDC | | 5 | ns |
| MDIO7 | $t_{d(MDC-MDIO)}$ | Delay time, MDC low to MDIO valid | -150 | 150 | ns |

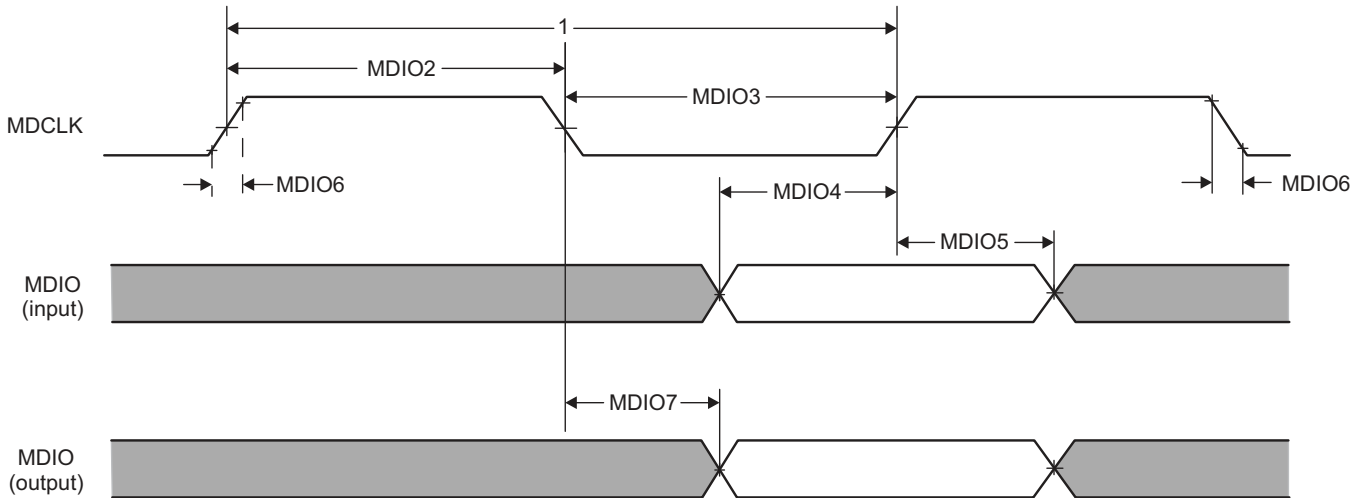


Figure 5-68. GMAC MDIO diagrams

In Table 5-98 are presented the specific groupings of signals (IOSET) for use with GMAC MDIO signals.

Table 5-98. GMAC MDIO IOSETS

| SIGNALS | IOSET7 | | IOSET8 | | IOSET9 | | IOSET10 | |
|-----------|--------|-----|--------|-----|--------|-----|---------|-----|
| | BALL | MUX | BALL | MUX | BALL | MUX | BALL | MUX |
| mdio_d | C10 | 3 | L6 | 0 | Y6 | 1 | E25 | 5 |
| mdio_mclk | D10 | 3 | L5 | 0 | Y5 | 1 | E24 | 5 |

5.10.6.19.3 GMAC RMII Timings

The main reference clock REF_CLK (RMII_50MHZ_CLK) of RMII interface is internally supplied from PRCM. The source of this clock could be either externally sourced from the RMII_MHZ_50_CLK pin of the device or internally generated from DPLL_GMAC output clock GMAC_RMII_HS_CLK. Please see the PRCM chapter of the Device TRM for full details about RMII reference clock.

CAUTION

The I/O Timings provided in this section are valid only for some GMAC usage modes when the corresponding Virtual I/O Timings or Manual I/O Timings are configured as described in the tables found in this section.

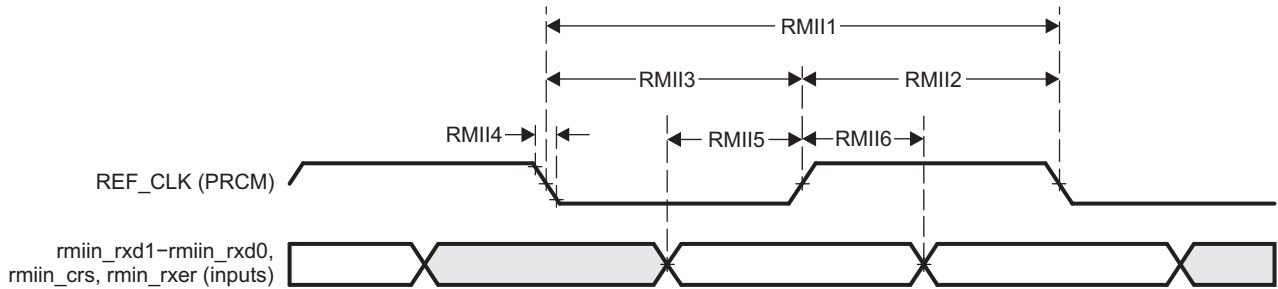
Table 5-99, Table 5-100 and Figure 5-69 present timing requirements for GMAC RMII In Receive.

Table 5-99. Timing Requirements for GMAC REF_CLK - RMII Operation

| NO. | PARAMETER | DESCRIPTION | MIN | MAX | UNIT |
|-------|--------------------|------------------------------|-----|-----|------|
| RMII1 | $t_{c(REF_CLK)}$ | Cycle time, REF_CLK | 20 | | ns |
| RMII2 | $t_{w(REF_CLKH)}$ | Pulse duration, REF_CLK high | 7 | 13 | ns |
| RMII3 | $t_{w(REF_CLKL)}$ | Pulse duration, REF_CLK low | 7 | 13 | ns |
| RMII4 | $t_{t(REF_CLK)}$ | Transistion time, REF_CLK | | 3 | ns |

Table 5-100. Timing Requirements for GMAC RMIIn Receive

| NO. | PARAMETER | DESCRIPTION | MIN | MAX | UNIT |
|-------|----------------------------|---|-----|-----|------|
| RMII5 | $t_{su}(RXD-REF_CLK)$ | Setup time, receive selected signals valid before REF_CLK | 4 | | ns |
| | $t_{su}(CRS_DV-REF_CLK)$ | | | | |
| | $t_{su}(RX_ER-REF_CLK)$ | | | | |
| RMII6 | $t_h(REF_CLK-RXD)$ | Hold time, receive selected signals valid after REF_CLK | 2 | | ns |
| | $t_h(REF_CLK-CRS_DV)$ | | | | |
| | $t_h(REF_CLK-RX_ER)$ | | | | |



SPRS906_TIMING_GMAC_RMII_TX_09

Figure 5-69. GMAC Receive Interface Timing RMIIn operation

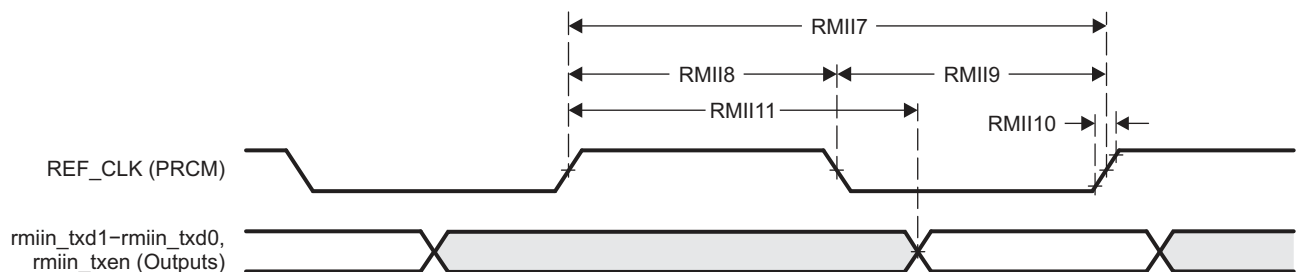
Table 5-101, Table 5-101 and Figure 5-70 present switching characteristics for GMAC RMIIn Transmit 10/100Mbit/s.

Table 5-101. Switching Characteristics Over Recommended Operating Conditions for GMAC REF_CLK - RMII Operation

| NO. | PARAMETER | DESCRIPTION | MIN | MAX | UNIT |
|--------|------------------|------------------------------|-----|-----|------|
| RMII7 | $t_c(REF_CLK)$ | Cycle time, REF_CLK | 20 | | ns |
| RMII8 | $t_w(REF_CLKH)$ | Pulse duration, REF_CLK high | 7 | 13 | ns |
| RMII9 | $t_w(REF_CLKL)$ | Pulse duration, REF_CLK low | 7 | 13 | ns |
| RMII10 | $t_t(REF_CLK)$ | Transistion time, REF_CLK | | 3 | ns |

Table 5-102. Switching Characteristics Over Recommended Operating Conditions for GMAC RMIIn Transmit 10/100 Mbits/s

| NO. | PARAMETER | DESCRIPTION | RMIIIn | MIN | MAX | UNIT |
|--------|----------------------|---|--------|-----|------|------|
| RMII11 | $t_d(REF_CLK-TXD)$ | Delay time, REF_CLK high to selected transmit signals valid | RMII0 | 2 | 13.5 | ns |
| | $t_d(REF_CLK-TXEN)$ | | | | | |
| | $t_d(REF_CLK-TXD)$ | | RMII1 | 2 | 13.8 | ns |
| | $t_d(REF_CLK-TXEN)$ | | | | | |



SPRS906_TIMING_GMAC_RMII_TX_07

Figure 5-70. GMAC Transmit Interface Timing RMIIn Operation

In [Table 5-103](#) are presented the specific groupings of signals (IOSET) for use with GMAC RMII signals.

Table 5-103. GMAC RMII IOSETs

| SIGNALS | IOSET1 | | IOSET2 | |
|-------------------|--------|-----|--------|-----|
| | BALL | MUX | BALL | MUX |
| GMAC RMII1 | | | | |
| RMII_MHZ_50_CLK | P5 | 0 | | |
| rmii1_txd1 | P2 | 2 | | |
| rmii1_txd0 | N1 | 2 | | |
| rmii1_rxd1 | T4 | 2 | | |
| rmii1_rxd0 | T5 | 2 | | |
| rmii1_rxer | N6 | 2 | | |
| rmii1_txen | N2 | 2 | | |
| rmii1_crs | N5 | 2 | | |
| GMAC RMII0 | | | | |
| RMII_MHZ_50_CLK | | | P5 | 0 |
| rmii0_txd1 | | | N3 | 1 |
| rmii0_txd0 | | | N4 | 1 |
| rmii0_rxd1 | | | R2 | 1 |
| rmii0_rxd0 | | | R1 | 1 |
| rmii0_txen | | | P1 | 1 |
| rmii0_rxer | | | P3 | 1 |
| rmii0_crs | | | P4 | 1 |

Manual IO Timings Modes must be used to ensure some IO timings for GMAC. See [Table 5-30 Modes Summary](#) for a list of IO timings requiring the use of Manual IO Timings Modes. See [Table 5-104 Manual Functions Mapping for GMAC RMII0](#) for a definition of the Manual modes.

[Table 5-104](#) lists the A_DELAY and G_DELAY values needed to calculate the correct values to be set in the CFG_x registers.

Table 5-104. Manual Functions Mapping for GMAC RMII0

| BALL | BALL NAME | GMAC_RMII0_MANUAL1 | | CFG REGISTER | MUXMODE | |
|------|-----------------|--------------------|--------------|------------------------|-----------------|------------|
| | | A_DELAY (ps) | G_DELAY (ps) | | 0 | 1 |
| P5 | RMII_MHZ_50_CLK | 0 | 0 | CFG_RMII_MHZ_50_CLK_IN | RMII_MHZ_50_CLK | |
| R1 | rgmii0_txd0 | 2444 | 804 | CFG_RGMII0_TXD0_IN | | rmii0_rxd0 |
| R2 | rgmii0_txd1 | 2453 | 981 | CFG_RGMII0_TXD1_IN | | rmii0_rxd1 |
| P3 | rgmii0_txd2 | 2356 | 847 | CFG_RGMII0_TXD2_IN | | rmii0_rxer |
| P4 | rgmii0_txd3 | 2415 | 993 | CFG_RGMII0_TXD3_IN | | rmii0_crs |

Manual IO Timings Modes must be used to ensure some IO timings for GMAC. See [Table 5-30 Modes Summary](#) for a list of IO timings requiring the use of Manual IO Timings Modes. See [Table 5-105 Manual Functions Mapping for GMAC RMII1](#) for a definition of the Manual modes.

[Table 5-105](#) list the A_DELAY and G_DELAY values needed to calculate the correct values to be set in the CFG_x registers.

Table 5-105. Manual Functions Mapping for GMAC RMII1

| BALL | BALL NAME | GMAC_RMII1_MANUAL1 | | CFG REGISTER | MUXMODE | |
|------|-----------------|--------------------|--------------|------------------------|-----------------|------------|
| | | A_DELAY (ps) | G_DELAY (ps) | | 0 | 2 |
| P5 | RMII_MHZ_50_CLK | 0 | 0 | CFG_RMII_MHZ_50_CLK_IN | RMII_MHZ_50_CLK | |
| T5 | rgmii0_txctl | 2450 | 909 | CFG_RGMII0_TXCTL_IN | | rmii1_rxd0 |
| T4 | rgmii0_txc | 2327 | 926 | CFG_RGMII0_TXC_IN | | rmii1_rxd1 |
| N6 | uart3_txd | 2553 | 443 | CFG_UART3_TXD_IN | | rmii1_rxer |
| N5 | uart3_rxd | 1943 | 1110 | CFG_UART3_RXD_IN | | rmii1_crs |

5.10.6.19.4 GMAC RGMII Timings
CAUTION

The I/O Timings provided in this section are valid only for some GMAC usage modes when the corresponding Virtual I/O Timings or Manual I/O Timings are configured as described in the tables found in this section.

Table 5-106, Table 5-107 and Figure 5-71 present timing requirements for receive RGMII operation.

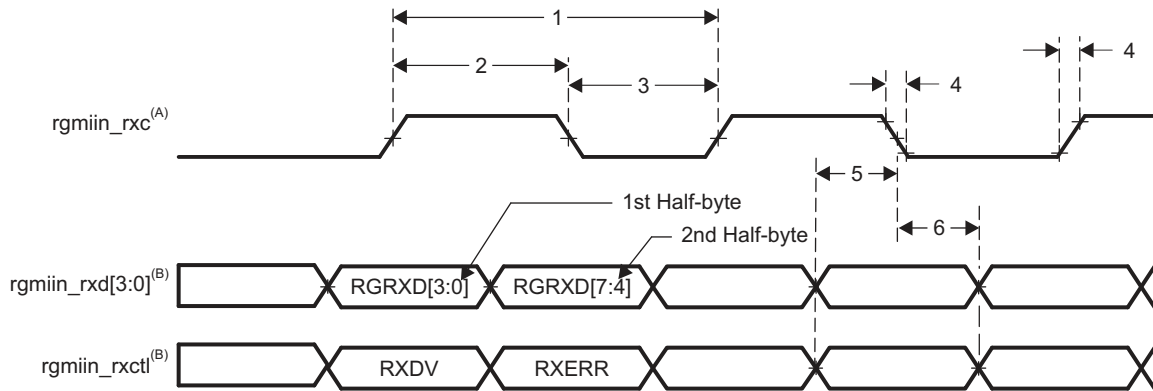
Table 5-106. Timing Requirements for rgmiin_rxc - RGMII Operation

| NO. | PARAMETER | DESCRIPTION | SPEED | MIN | MAX | UNIT |
|-----|---------------|---------------------------------|-----------|-----|------|------|
| 1 | $t_{c(RXC)}$ | Cycle time, rgmiin_rxc | 10 Mbps | 360 | 440 | ns |
| | | | 100 Mbps | 36 | 44 | ns |
| | | | 1000 Mbps | 7.2 | 8.8 | ns |
| 2 | $t_{w(RXCH)}$ | Pulse duration, rgmiin_rxc high | 10 Mbps | 160 | 240 | ns |
| | | | 100 Mbps | 16 | 24 | ns |
| | | | 1000 Mbps | 3.6 | 4.4 | ns |
| 3 | $t_{w(RXCL)}$ | Pulse duration, rgmiin_rxc low | 10 Mbps | 160 | 240 | ns |
| | | | 100 Mbps | 16 | 24 | ns |
| | | | 1000 Mbps | 3.6 | 4.4 | ns |
| 4 | $t_{t(RXC)}$ | Transition time, rgmiin_rxc | 10 Mbps | | 0.75 | ns |
| | | | 100 Mbps | | 0.75 | ns |
| | | | 1000 Mbps | | 0.75 | ns |

Table 5-107. Timing Requirements for GMAC RGMII Input Receive for 10/100/1000 Mbps ⁽¹⁾

| NO. | PARAMETER | DESCRIPTION | MODE | MIN | MAX | UNIT |
|-----|--------------------|---|----------|-----|-----|------|
| 5 | $t_{su(RXD-RXCH)}$ | Setup time, receive selected signals valid before rgmiin_rxc high/low | RGMII0/1 | 1 | | ns |
| 6 | $t_{h(RXCH-RXD)}$ | Hold time, receive selected signals valid after rgmiin_rxc high/low | RGMII0/1 | 1 | | ns |

(1) For RGMII, receive selected signals include: rgmiin_rxd[3:0] and rgmiin_rxctl.



SPRS906_TIMING_GMAC_RGMII_RX_08

- A. rgmiin_rxc must be externally delayed relative to the data and control pins.
- B. Data and control information is received using both edges of the clocks. rgmiin_rxd[3:0] carries data bits 3-0 on the rising edge of rgmiin_rxc and data bits 7-4 on the falling edge of rgmiin_rxc. Similarly, rgmiin_rxctl carries RXDV on rising edge of rgmiin_rxc and RXERR on falling edge of rgmiin_rxc.

Figure 5-71. GMAC Receive Interface Timing, RGMII operation

Table 5-108, Table 5-109 and Figure 5-72 present switching characteristics for transmit - RGMII for 10/100/1000Mbit/s.

Table 5-108. Switching Characteristics Over Recommended Operating Conditions for rgmiin_txctl - RGMII operation for 10/100/1000 Mbit/s

| NO. | PARAMETER | DESCRIPTION | SPEED | MIN | MAX | UNIT |
|-----|---------------|---------------------------------|-----------|-----|------|------|
| 1 | $t_{c(TXC)}$ | Cycle time, rgmiin_txc | 10 Mbps | 360 | 440 | ns |
| | | | 100 Mbps | 36 | 44 | ns |
| | | | 1000 Mbps | 7.2 | 8.8 | ns |
| 2 | $t_{w(TXCH)}$ | Pulse duration, rgmiin_txc high | 10 Mbps | 160 | 240 | ns |
| | | | 100 Mbps | 16 | 24 | ns |
| | | | 1000 Mbps | 3.6 | 4.4 | ns |
| 3 | $t_{w(TXCL)}$ | Pulse duration, rgmiin_txc low | 10 Mbps | 160 | 240 | ns |
| | | | 100 Mbps | 16 | 24 | ns |
| | | | 1000 Mbps | 3.6 | 4.4 | ns |
| 4 | $t_t(TXC)$ | Transition time, rgmiin_txc | 10 Mbps | | 0.75 | ns |
| | | | 100 Mbps | | 0.75 | ns |
| | | | 1000 Mbps | | 0.75 | ns |

Table 5-109. Switching Characteristics for GMAC RGMII Output Transmit for 10/100/1000 Mbps ⁽¹⁾

| NO. | PARAMETER | DESCRIPTION | MODE | MIN | MAX | UNIT |
|-----|--------------------|---|---|------|-----|------|
| 5 | $t_{osu(TXD-TXC)}$ | Output Setup time, transmit selected signals valid to rgmiin_txc high/low | RGMII0, Internal Delay Enabled, 1000 Mbps | 1.05 | | ns |
| | | | RGMII0, Internal Delay Enabled, 10/100 Mbps | 1.2 | | ns |
| | | | RGMII1, Internal Delay Enabled, 1000 Mbps | 1.05 | | ns |
| | | | RGMII1, Internal Delay Enabled, 10/100 Mbps | 1.2 | | ns |

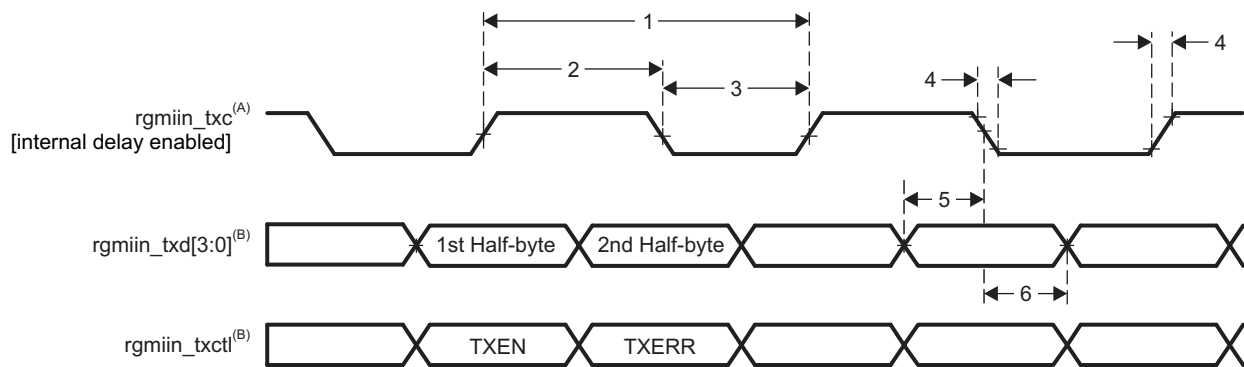
Table 5-109. Switching Characteristics for GMAC RGMII Output Transmit for 10/100/1000 Mbps
(1) (continued)

| NO. | PARAMETER | DESCRIPTION | MODE | MIN | MAX | UNIT |
|-----|-------------------|---|---|------|-----|------|
| 6 | $t_{oh}(TXC-TXD)$ | Output Hold time, transmit selected signals valid after rgmiin_txc high/low | RGMIIO, Internal Delay Enabled, 1000 Mbps | 1.05 | (2) | ns |
| | | | RGMIIO, Internal Delay Enabled, 10/100 Mbps | 1.2 | | ns |
| | | | RGMI11, Internal Delay Enabled, 1000 Mbps | 1.05 | (3) | ns |
| | | | RGMI11, Internal Delay Enabled, 10/100 Mbps | 1.2 | | ns |

(1) For RGMII, transmit selected signals include: rgmiin_txd[3:0] and rgmiin_txctl.

(2) RGMIIO requires that the 4 data pins rgmii0_txd[3:0] and rgmii0_txctl have their board propagation delays matched within 50pS of rgmii0_txc.

(3) RGMII1 requires that the 4 data pins rgmii1_txd[3:0] and rgmii1_txctl have their board propagation delays matched within 50pS of rgmii1_txc.



SPRS906_TIMING_GMAC_RGMII_TX_09

- A. TXC is delayed internally before being driven to the rgmiin_txc pin. This internal delay is always enabled.
- B. Data and control information is transmitted using both edges of the clocks. rgmiin_txd[3:0] carries data bits 3-0 on the rising edge of rgmiin_txc and data bits 7-4 on the falling edge of rgmiin_txc. Similarly, rgmiin_txctl carries TXEN on rising edge of rgmiin_txc and TXERR on falling edge of rgmiin_txc.

Figure 5-72. GMAC Transmit Interface Timing RGMII operation

In [Table 5-110](#) are presented the specific groupings of signals (IOSET) for use with GMAC RGMII signals.

Table 5-110. GMAC RGMII IOSETs

| SIGNALS | IOSET3 | | IOSET4 | |
|--------------------|--------|-----|--------|-----|
| | BALL | MUX | BALL | MUX |
| GMAC RGMII1 | | | | |
| rgmii1_txd3 | C11 | 3 | | |
| rgmii1_txd2 | B12 | 3 | | |
| rgmii1_txd1 | A12 | 3 | | |
| rgmii1_txd0 | A13 | 3 | | |
| rgmii1_rxd3 | B13 | 3 | | |
| rgmii1_rxd2 | E13 | 3 | | |
| rgmii1_rxd1 | C13 | 3 | | |
| rgmii1_rxd0 | D13 | 3 | | |
| rgmii1_rxctl | F11 | 3 | | |
| rgmii1_txc | B11 | 3 | | |
| rgmii1_txctl | D11 | 3 | | |

Table 5-110. GMAC RGMII IOSETs (continued)

| SIGNALS | IOSET3 | | IOSET4 | |
|--------------------|--------|-----|--------|-----|
| | BALL | MUX | BALL | MUX |
| rgmii1_rxc | E11 | 3 | | |
| GMAC RGMII0 | | | | |
| rgmii0_txd3 | | | P4 | 0 |
| rgmii0_txd2 | | | P3 | 0 |
| rgmii0_txd1 | | | R2 | 0 |
| rgmii0_txd0 | | | R1 | 0 |
| rgmii0_rxd3 | | | N1 | 0 |
| rgmii0_rxd2 | | | P1 | 0 |
| rgmii0_rxd1 | | | N3 | 0 |
| rgmii0_rxd0 | | | N4 | 0 |
| rgmii0_txc | | | T4 | 0 |
| rgmii0_rxctl | | | P2 | 0 |
| rgmii0_rxc | | | N2 | 0 |
| rgmii0_txctl | | | T5 | 0 |

NOTE

To configure the desired Manual IO Timing Mode the user must follow the steps described in section "*Manual IO Timing Modes*" of the Device TRM.

The associated registers to configure are listed in the **CFG REGISTER** column. For more information please see the *Control Module Chapter* in the Device TRM.

Manual IO Timings Modes must be used to ensure some IO timings for GMAC. See [Table 5-30 Modes Summary](#) for a list of IO timings requiring the use of Manual IO Timings Modes. See [Table 5-111 Manual Functions Mapping for GMAC RGMII0](#) for a definition of the Manual modes.

[Table 5-111](#) lists the A_DELAY and G_DELAY values needed to calculate the correct values to be set in the CFG_x registers.

Table 5-111. Manual Functions Mapping for GMAC RGMII0

| BALL | BALL NAME | GMAC_RGMII0_MANUAL1 | | CFG REGISTER | MUXMODE |
|------|--------------|---------------------|--------------|----------------------|--------------|
| | | A_DELAY (ps) | G_DELAY (ps) | | 0 |
| N2 | rgmii0_rxc | 413 | 0 | CFG_RGMII0_RXC_IN | rgmii0_rxc |
| P2 | rgmii0_rxctl | 27 | 2296 | CFG_RGMII0_RXCTL_IN | rgmii0_rxctl |
| N4 | rgmii0_rxd0 | 3 | 1721 | CFG_RGMII0_RXD0_IN | rgmii0_rxd0 |
| N3 | rgmii0_rxd1 | 134 | 1786 | CFG_RGMII0_RXD1_IN | rgmii0_rxd1 |
| P1 | rgmii0_rxd2 | 40 | 1966 | CFG_RGMII0_RXD2_IN | rgmii0_rxd2 |
| N1 | rgmii0_rxd3 | 0 | 2057 | CFG_RGMII0_RXD3_IN | rgmii0_rxd3 |
| T4 | rgmii0_txc | 0 | 60 | CFG_RGMII0_TXC_OUT | rgmii0_txc |
| T5 | rgmii0_txctl | 0 | 60 | CFG_RGMII0_TXCTL_OUT | rgmii0_txctl |
| R1 | rgmii0_txd0 | 0 | 60 | CFG_RGMII0_TXD0_OUT | rgmii0_txd0 |
| R2 | rgmii0_txd1 | 0 | 0 | CFG_RGMII0_TXD1_OUT | rgmii0_txd1 |
| P3 | rgmii0_txd2 | 0 | 60 | CFG_RGMII0_TXD2_OUT | rgmii0_txd2 |
| P4 | rgmii0_txd3 | 0 | 120 | CFG_RGMII0_TXD3_OUT | rgmii0_txd3 |

Manual IO Timings Modes must be used to ensure some IO timings for GMAC. See [Table 5-30 Modes Summary](#) for a list of IO timings requiring the use of Manual IO Timings Modes. See [Table 5-112 Manual Functions Mapping for GMAC RGMII1](#) for a definition of the Manual modes.

[Table 5-112](#) lists the A_DELAY and G_DELAY values needed to calculate the correct values to be set in the CFG_x registers.

Table 5-112. Manual Functions Mapping for GMAC RGMII1

| BALL | BALL NAME | GMAC_RGMII1_MANUAL1 | | CFG REGISTER | MUXMODE |
|------|-----------|---------------------|--------------|-------------------|--------------|
| | | A_DELAY (ps) | G_DELAY (ps) | | 3 |
| E11 | vin2a_d18 | 530 | 0 | CFG_VIN2A_D18_IN | rgmii1_rxc |
| F11 | vin2a_d19 | 71 | 1099 | CFG_VIN2A_D19_IN | rgmii1_rxctl |
| B13 | vin2a_d20 | 142 | 1337 | CFG_VIN2A_D20_IN | rgmii1_rxd3 |
| E13 | vin2a_d21 | 114 | 1517 | CFG_VIN2A_D21_IN | rgmii1_rxd2 |
| C13 | vin2a_d22 | 171 | 1331 | CFG_VIN2A_D22_IN | rgmii1_rxd1 |
| D13 | vin2a_d23 | 0 | 1328 | CFG_VIN2A_D23_IN | rgmii1_rxd0 |
| B11 | vin2a_d12 | 0 | 0 | CFG_VIN2A_D12_OUT | rgmii1_txc |
| D11 | vin2a_d13 | 170 | 0 | CFG_VIN2A_D13_OUT | rgmii1_txctl |
| C11 | vin2a_d14 | 150 | 0 | CFG_VIN2A_D14_OUT | rgmii1_txd3 |
| B12 | vin2a_d15 | 0 | 0 | CFG_VIN2A_D15_OUT | rgmii1_txd2 |
| A12 | vin2a_d16 | 60 | 0 | CFG_VIN2A_D16_OUT | rgmii1_txd1 |
| A13 | vin2a_d17 | 60 | 0 | CFG_VIN2A_D17_OUT | rgmii1_txd0 |

5.10.6.20 eMMC/SD/SDIO

The Device includes the following external memory interfaces 4 MultiMedia Card/Secure Digital/Secure Digital Input Output Interface (MMC/SD/SDIO)

NOTE

The eMMC/SD/SDIO_i (i = 1 to 4) controller is also referred to as MMC_i.

5.10.6.20.1 MMC1—SD Card Interface

MMC1 interface is compliant with the SD Standard v3.01 and it supports the following SD Card applications:

- Default speed, 4-bit data, SDR, half-cycle
- High speed, 4-bit data, SDR, half-cycle
- SDR12, 4-bit data, half-cycle
- SDR25, 4-bit data, half-cycle
- UHS-I SDR50, 4-bit data, half-cycle
- UHS-I SDR104, 4-bit data, half-cycle
- UHS-I DDR50, 4-bit data

NOTE

For more information, see the eMMC/SD/SDIO chapter of the Device TRM.

5.10.6.20.1.1 Default speed, 4-bit data, SDR, half-cycle

Table 5-113 and Table 5-114 present Timing requirements and Switching characteristics for MMC1 - Default Speed in receiver and transmitter mode (see Figure 5-73 and Figure 5-74).

Table 5-113. Timing Requirements for MMC1 - SD Card Default Speed Mode

| NO. | PARAMETER | DESCRIPTION | MIN | MAX | UNIT |
|-------|---------------------|---|-------|-----|------|
| DSSD5 | $t_{su(cmdV-clkH)}$ | Setup time, mmc1_cmd valid before mmc1_clk rising clock edge | 5.11 | | ns |
| DSSD6 | $t_{h(clkH-cmdV)}$ | Hold time, mmc1_cmd valid after mmc1_clk rising clock edge | 20.46 | | ns |
| DSSD7 | $t_{su(dV-clkH)}$ | Setup time, mmc1_dat[3:0] valid before mmc1_clk rising clock edge | 5.11 | | ns |
| DSSD8 | $t_{h(clkH-dV)}$ | Hold time, mmc1_dat[3:0] valid after mmc1_clk rising clock edge | 20.46 | | ns |

Table 5-114. Switching Characteristics for MMC1 - SD Card Default Speed Mode

| NO. | PARAMETER | DESCRIPTION | MIN | MAX | UNIT |
|-------|--------------------|---|----------------------------|-------|------|
| DSSD0 | fop(clk) | Operating frequency, mmc1_clk | | 24 | MHz |
| DSSD1 | $t_{w(clkH)}$ | Pulse duration, mmc1_clk high | $0.5 \times P - 0.185$ (1) | | ns |
| DSSD2 | $t_{w(clkL)}$ | Pulse duration, mmc1_clk low | $0.5 \times P - 0.185$ (1) | | ns |
| DSSD3 | $t_{d(clkL-cmdV)}$ | Delay time, mmc1_clk falling clock edge to mmc1_cmd transition | -14.93 | 14.93 | ns |
| DSSD4 | $t_{d(clkL-dV)}$ | Delay time, mmc1_clk falling clock edge to mmc1_dat[3:0] transition | -14.93 | 14.93 | ns |

(1) P = output mmc1_clk period in ns

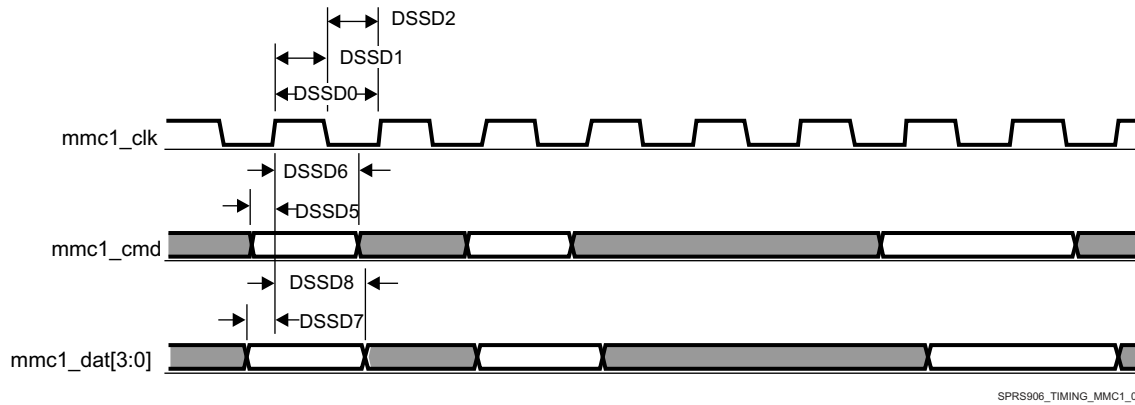


Figure 5-73. MMC/SD/SDIO in - Default Speed - Receiver Mode

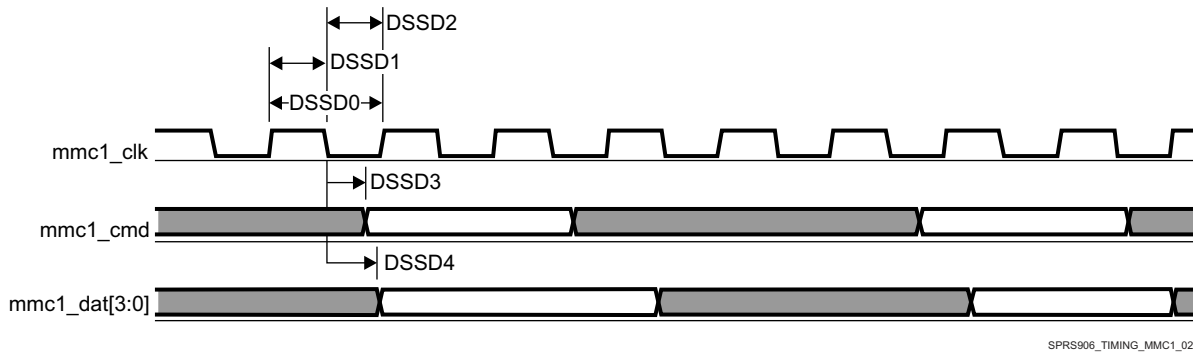


Figure 5-74. MMC/SD/SDIO in - Default Speed - Transmitter Mode

5.10.6.20.1.2 High speed, 4-bit data, SDR, half-cycle

Table 5-115 and Table 5-116 present Timing requirements and Switching characteristics for MMC1 - High Speed in receiver and transmitter mode (see Figure 5-75 and Figure 5-76).

Table 5-115. Timing Requirements for MMC1 - SD Card High Speed

| NO. | PARAMETER | DESCRIPTION | MIN | MAX | UNIT |
|-------|---------------------|---|-----|-----|------|
| HSSD3 | $t_{su}(cmdV-clkH)$ | Setup time, mmc1_cmd valid before mmc1_clk rising clock edge | 5.3 | | ns |
| HSSD4 | $t_h(clkH-cmdV)$ | Hold time, mmc1_cmd valid after mmc1_clk rising clock edge | 2.6 | | ns |
| HSSD7 | $t_{su}(dV-clkH)$ | Setup time, mmc1_dat[3:0] valid before mmc1_clk rising clock edge | 5.3 | | ns |
| HSSD8 | $t_h(clkH-dV)$ | Hold time, mmc1_dat[3:0] valid after mmc1_clk rising clock edge | 2.6 | | ns |

Table 5-116. Switching Characteristics for MMC1 - SD Card High Speed

| NO. | PARAMETER | DESCRIPTION | MIN | MAX | UNIT |
|--------|------------------|---|----------------------------|-----|------|
| HSSD1 | fop(clk) | Operating frequency, mmc1_clk | | 48 | MHz |
| HSSD2H | $t_w(clkH)$ | Pulse duration, mmc1_clk high | $0.5 \times P - 0.185$ (1) | | ns |
| HSSD2L | $t_w(clkL)$ | Pulse duration, mmc1_clk low | $0.5 \times P - 0.185$ (1) | | ns |
| HSSD5 | $t_d(clkL-cmdV)$ | Delay time, mmc1_clk falling clock edge to mmc1_cmd transition | -7.6 | 3.6 | ns |
| HSSD6 | $t_d(clkL-dV)$ | Delay time, mmc1_clk falling clock edge to mmc1_dat[3:0] transition | -7.6 | 3.6 | ns |

(1) P = output mmc1_clk period in ns

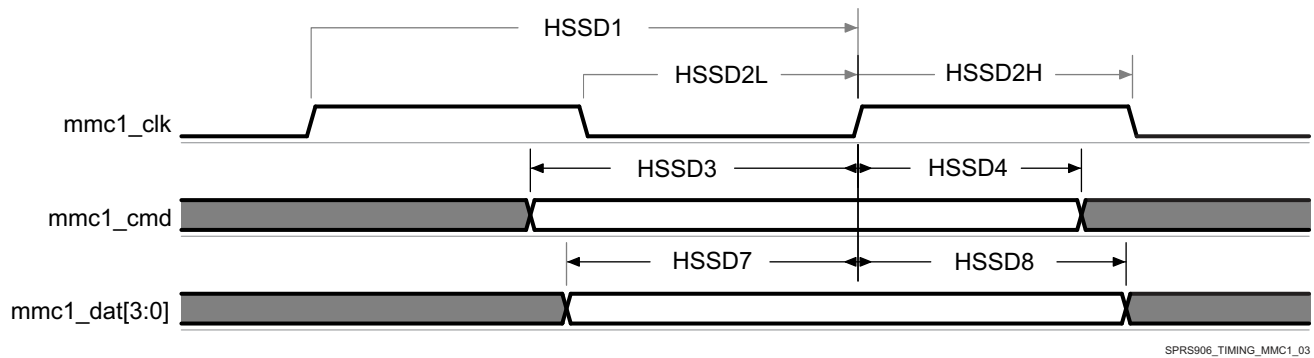


Figure 5-75. MMC/SD/SDIO in - High Speed - Receiver Mode

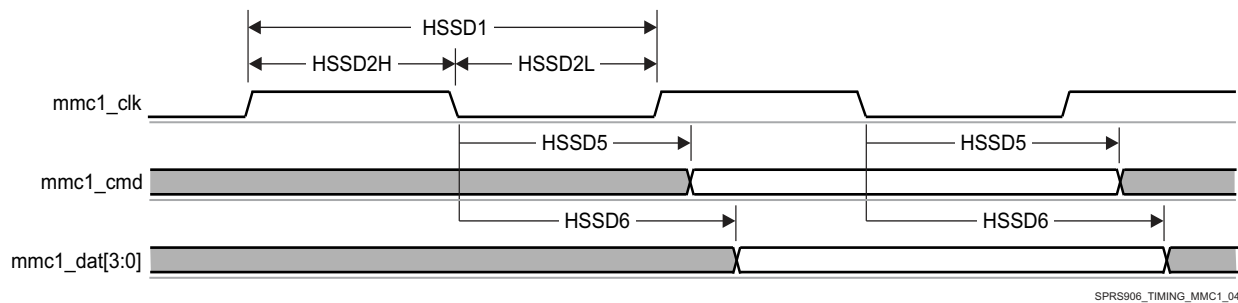


Figure 5-76. MMC/SD/SDIO in - High Speed - Transmitter Mode

5.10.6.20.1.3 SDR12, 4-bit data, half-cycle

Table 5-117 and Table 5-118 present Timing requirements and Switching characteristics for MMC1 - SDR12 in receiver and transmitter mode (see Figure 5-77 and Figure 5-78).

Table 5-117. Timing Requirements for MMC1 - SD Card SDR12 Mode

| NO. | PARAMETER | DESCRIPTION | MODE | MIN | MAX | UNIT |
|---------|---------------------|---|-------------------------|-------|-----|------|
| SDR12 5 | $t_{su(cmdV-clkH)}$ | Setup time, mmc1_cmd valid before mmc1_clk rising clock edge | | 25.99 | | ns |
| SDR12 6 | $t_h(clkH-cmdV)$ | Hold time, mmc1_cmd valid after mmc1_clk rising clock edge | Pad Loopback Clock | 1.6 | | ns |
| | | | Internal Loopback Clock | 1.6 | | ns |
| SDR12 7 | $t_{su(dV-clkH)}$ | Setup time, mmc1_dat[3:0] valid before mmc1_clk rising clock edge | | 25.99 | | ns |
| SDR12 8 | $t_h(clkH-dV)$ | Hold time, mmc1_dat[3:0] valid after mmc1_clk rising clock edge | Pad Loopback Clock | 1.6 | | ns |
| | | | Internal Loopback Clock | 1.6 | | ns |

Table 5-118. Switching Characteristics for MMC1 - SD Card SDR12 Mode

| NO. | PARAMETER | DESCRIPTION | MIN | MAX | UNIT |
|--------|------------------|---|------------------------------|-------|------|
| SDR120 | fop(clk) | Operating frequency, mmc1_clk | | 24 | MHz |
| SDR121 | $t_w(clkH)$ | Pulse duration, mmc1_clk high | $0.5 \times P - 0.185^{(1)}$ | | ns |
| SDR122 | $t_w(clkL)$ | Pulse duration, mmc1_clk low | $0.5 \times P - 0.185^{(1)}$ | | ns |
| SDR123 | $t_d(clkL-cmdV)$ | Delay time, mmc1_clk falling clock edge to mmc1_cmd transition | -19.13 | 16.93 | ns |
| SDR124 | $t_d(clkL-dV)$ | Delay time, mmc1_clk falling clock edge to mmc1_dat[3:0] transition | -19.13 | 16.93 | ns |

(1) P = output mmc1_clk period in ns

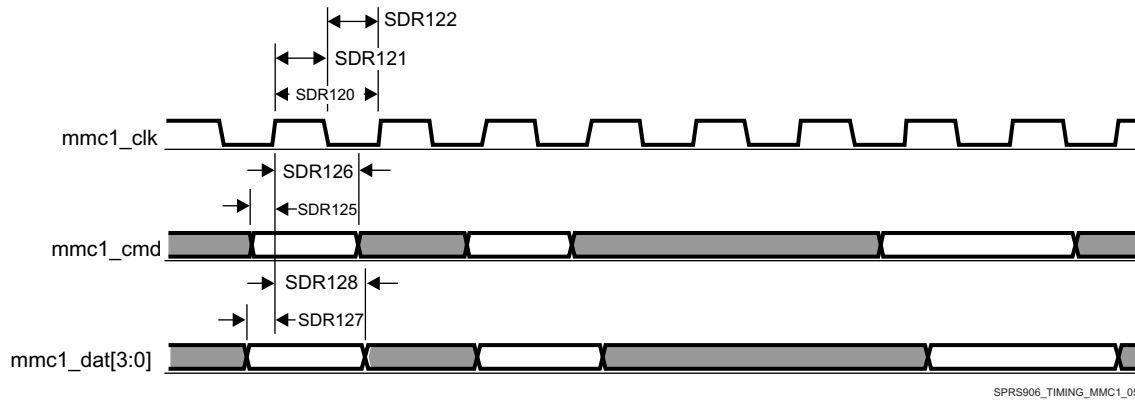


Figure 5-77. MMC/SD/SDIO in - High Speed SDR12 - Receiver Mode

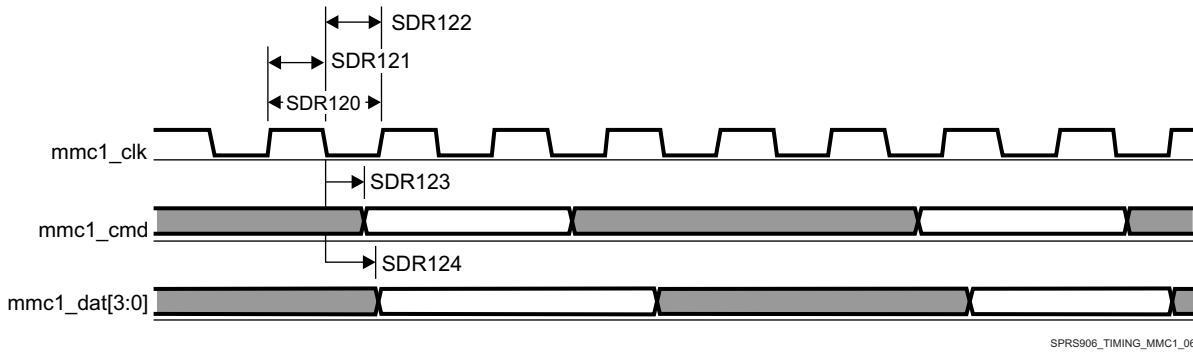


Figure 5-78. MMC/SD/SDIO in - High Speed SDR12 - Transmitter Mode

5.10.6.20.1.4 SDR25, 4-bit data, half-cycle

Table 5-119 and Table 5-120 present Timing requirements and Switching characteristics for MMC1 - SDR25 in receiver and transmitter mode (see Figure 5-79 and Figure 5-80).

Table 5-119. Timing Requirements for MMC1 - SD Card SDR25 Mode

| NO. | PARAMETER | DESCRIPTION | MODE | MIN | MAX | UNIT |
|------------|---------------------|---|-------------------------|-----|-----|------|
| SDR25 3 | $t_{su}(cmdV-clkH)$ | Setup time, mmc1_cmd valid before mmc1_clk rising clock edge | | 5.3 | | ns |
| SDR25 4 | $t_h(clkH-cmdV)$ | Hold time, mmc1_cmd valid after mmc1_clk rising clock edge | | 1.6 | | ns |
| SDR25 7 | $t_{su}(dV-clkH)$ | Setup time, mmc1_dat[3:0] valid before mmc1_clk rising clock edge | | 5.3 | | ns |
| SDR25 8 | $t_h(clkH-dV)$ | Hold time, mmc1_dat[3:0] valid after mmc1_clk rising clock edge | Pad Loopback Clock | 1.6 | | ns |
| | | | Internal Loopback Clock | 1.6 | | ns |

Table 5-120. Switching Characteristics for MMC1 - SD Card SDR25 Mode

| NO. | PARAMETER | DESCRIPTION | MIN | MAX | UNIT |
|-------------|------------------|--|----------------------------|-----|------|
| SDR251 | fop(clk) | Operating frequency, mmc1_clk | | 48 | MHz |
| SDR252 H | $t_w(clkH)$ | Pulse duration, mmc1_clk high | $0.5 \times P - 0.185$ (1) | | ns |
| SDR252L | $t_w(clkL)$ | Pulse duration, mmc1_clk low | $0.5 \times P - 0.185$ (1) | | ns |
| SDR255 | $t_d(clkL-cmdV)$ | Delay time, mmc1_clk falling clock edge to mmc1_cmd transition | -8.8 | 6.6 | ns |

Table 5-120. Switching Characteristics for MMC1 - SD Card SDR25 Mode (continued)

| NO. | PARAMETER | DESCRIPTION | MIN | MAX | UNIT |
|--------|-------------------------|---|------|-----|------|
| SDR256 | $t_{d(\text{clkL-dV})}$ | Delay time, mmc1_clk falling clock edge to mmc1_dat[3:0] transition | -8.8 | 6.6 | ns |

(1) P = output mmc1_clk period in ns

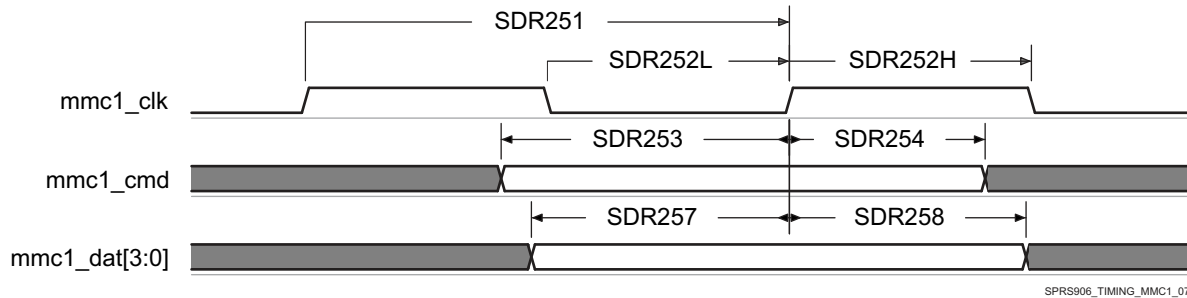


Figure 5-79. MMC/SD/SDIO in - High Speed SDR25 - Receiver Mode

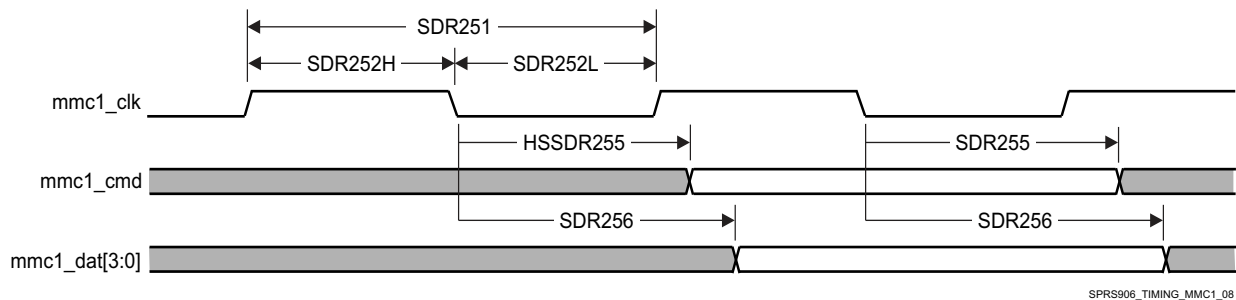


Figure 5-80. MMC/SD/SDIO in - High Speed SDR25 - Transmitter Mode

5.10.6.20.1.5 UHS-I SDR50, 4-bit data, half-cycle

Table 5-121 and Table 5-122 present Timing requirements and Switching characteristics for MMC1 - SDR50 in receiver and transmitter mode (see Figure 5-81 and Figure 5-82).

Table 5-121. Timing Requirements for MMC1 - SD Card SDR50 Mode

| NO. | PARAMETER | DESCRIPTION | MODE | MIN | MAX | UNIT |
|--------|----------------------------|---|-------------------------|------|-----|------|
| SDR503 | $t_{su(\text{cmdV-clkH})}$ | Setup time, mmc1_cmd valid before mmc1_clk rising clock edge | | 1.48 | | ns |
| SDR504 | $t_{h(\text{clkH-cmdV})}$ | Hold time, mmc1_cmd valid after mmc1_clk rising clock edge | | 1.7 | | ns |
| SDR507 | $t_{su(\text{dV-clkH})}$ | Setup time, mmc1_dat[3:0] valid before mmc1_clk rising clock edge | | 1.48 | | ns |
| SDR508 | $t_{h(\text{clkH-dV})}$ | Hold time, mmc1_dat[3:0] valid after mmc1_clk rising clock edge | Pad Loopback Clock | 1.7 | | ns |
| | | | Internal Loopback Clock | 1.6 | | ns |

Table 5-122. Switching Characteristics for MMC1 - SD Card SDR50 Mode

| NO. | PARAMETER | DESCRIPTION | MIN | MAX | UNIT |
|---------|---------------------------|---|----------------------------|------|------|
| SDR501 | fop(clk) | Operating frequency, mmc1_clk | | 96 | MHz |
| SDR502H | $t_{w(\text{clkH})}$ | Pulse duration, mmc1_clk high | $0.5 \times P - 0.185$ (1) | | ns |
| SDR502L | $t_{w(\text{clkL})}$ | Pulse duration, mmc1_clk low | $0.5 \times P - 0.185$ (1) | | ns |
| SDR505 | $t_{d(\text{clkL-cmdV})}$ | Delay time, mmc1_clk falling clock edge to mmc1_cmd transition | -8.8 | 6.6 | ns |
| SDR506 | $t_{d(\text{clkL-dV})}$ | Delay time, mmc1_clk falling clock edge to mmc1_dat[3:0] transition | -3.66 | 1.46 | ns |

(1) P = output mmc1_clk period in ns

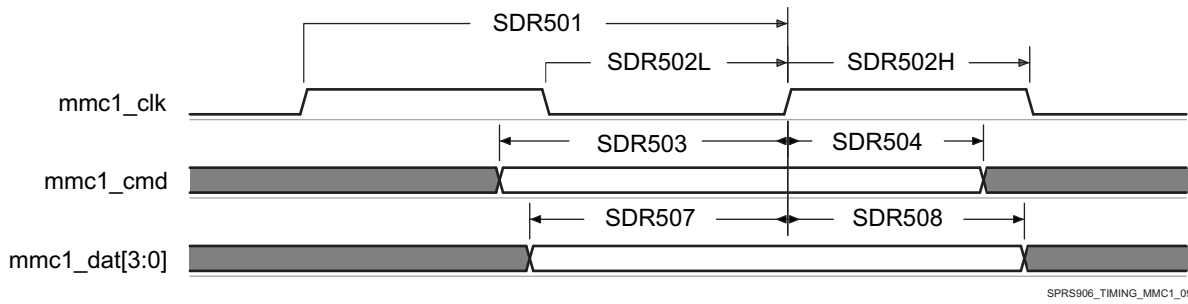


Figure 5-81. MMC/SD/SDIO in - High Speed SDR50 - Receiver Mode

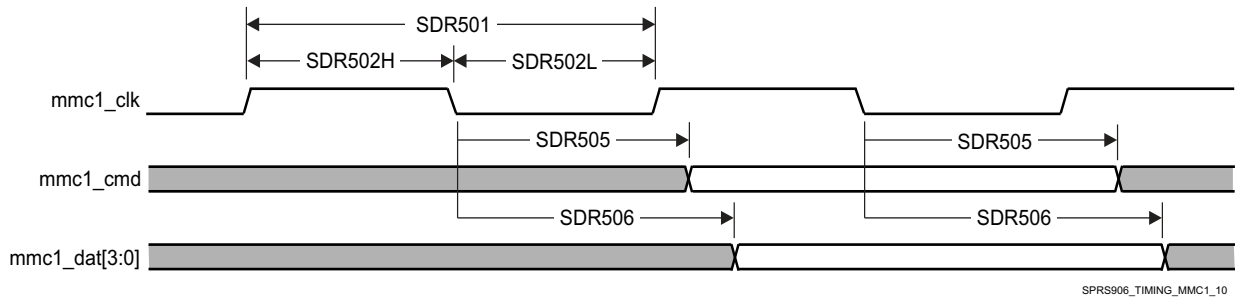


Figure 5-82. MMC/SD/SDIO in - High Speed SDR50 - Transmitter Mode

5.10.6.20.1.6 UHS-I SDR104, 4-bit data, half-cycle

Table 5-123 presents Timing requirements and Switching characteristics for MMC1 - SDR104 in receiver and transmitter mode (see Figure 5-83 and Figure 5-84).

Table 5-123. Switching Characteristics for MMC1 - SD Card SDR104 Mode

| NO. | PARAMETER | DESCRIPTION | MIN | MAX | UNIT |
|-----------|----------------------------|---|------------------------------|------|------|
| SDR1041 | fop(clk) | Operating frequency, mmc1_clk | | 192 | MHz |
| SDR1042 H | t _w (clkH) | Pulse duration, mmc1_clk high | 0.5 × P-0.185 ⁽¹⁾ | | ns |
| SDR1042 L | t _w (clkL) | Pulse duration, mmc1_clk low | 0.5 × P-0.185 ⁽¹⁾ | | ns |
| SDR1045 | t _d (clkL-cmdV) | Delay time, mmc1_clk falling clock edge to mmc1_cmd transition | -1.09 | 0.49 | ns |
| SDR1046 | t _d (clkL-dV) | Delay time, mmc1_clk falling clock edge to mmc1_dat[3:0] transition | -1.09 | 0.49 | ns |

(1) P = output mmc1_clk period in ns

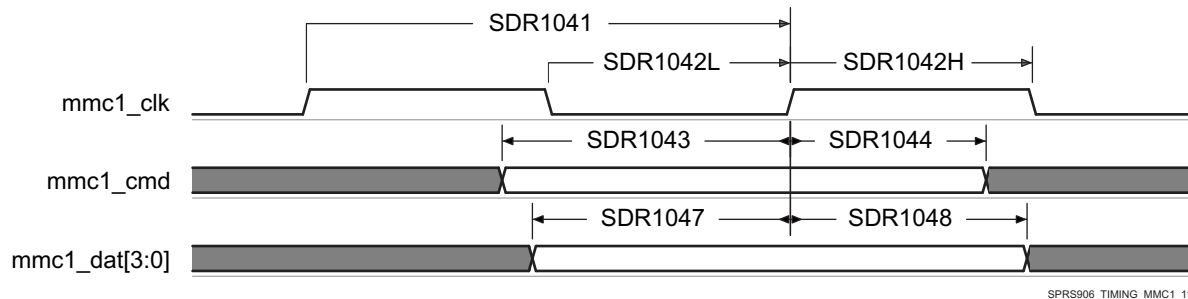


Figure 5-83. MMC/SD/SDIO in - High Speed SDR104 - Receiver Mode

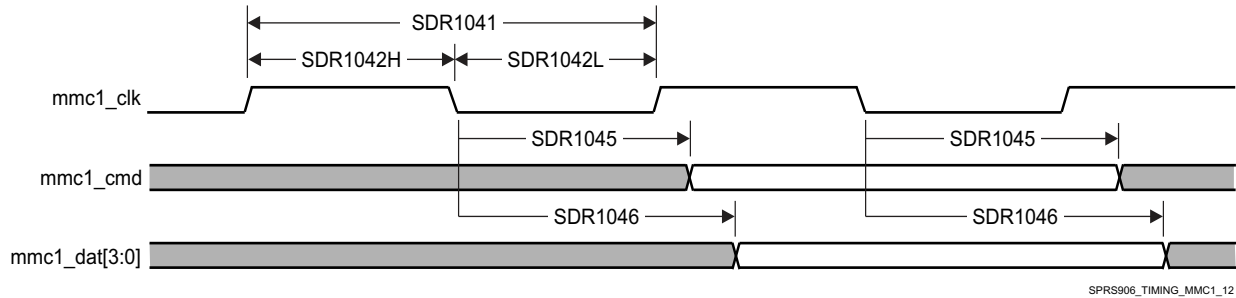


Figure 5-84. MMC/SD/SDIO in - High Speed SDR104 - Transmitter Mode

5.10.6.20.1.7 UHS-I DDR50, 4-bit data

Table 5-124 and Table 5-125 present Timing requirements and Switching characteristics for MMC1 - DDR50 in receiver and transmitter mode (see Figure 5-85 and Figure 5-86).

Table 5-124. Timing Requirements for MMC1 - SD Card DDR50 Mode

| NO. | PARAMETER | DESCRIPTION | MODE | MIN | MAX | UNIT |
|---------|--------------------|--|-------------------|------|-----|------|
| DDR50 5 | $t_{su(cmdV-clk)}$ | Setup time, mmc1_cmd valid before mmc1_clk transition | | 1.79 | | ns |
| DDR50 6 | $t_{h(clk-cmdV)}$ | Hold time, mmc1_cmd valid after mmc1_clk transition | | 2 | | ns |
| DDR50 7 | $t_{su(dV-clk)}$ | Setup time, mmc1_dat[3:0] valid before mmc1_clk transition | Pad Loopback | 1.79 | | ns |
| | | | Internal Loopback | 1.79 | | ns |
| DDR50 8 | $t_{h(clk-dV)}$ | Hold time, mmc1_dat[3:0] valid after mmc1_clk transition | Pad Loopback | 2 | | ns |
| | | | Internal Loopback | 1.6 | | ns |

Table 5-125. Switching Characteristics for MMC1 - SD Card DDR50 Mode

| NO. | PARAMETER | DESCRIPTION | MIN | MAX | UNIT |
|--------|-------------------|---|----------------------------|-----|------|
| DDR500 | fop(clk) | Operating frequency, mmc1_clk | | 48 | MHz |
| DDR501 | $t_{w(clkH)}$ | Pulse duration, mmc1_clk high | $0.5 \times P - 0.185$ (1) | | ns |
| DDR502 | $t_{w(clkL)}$ | Pulse duration, mmc1_clk low | $0.5 \times P - 0.185$ (1) | | ns |
| DDR503 | $t_{d(clk-cmdV)}$ | Delay time, mmc1_clk transition to mmc1_cmd transition | 1.225 | 6.6 | ns |
| DDR504 | $t_{d(clk-dV)}$ | Delay time, mmc1_clk transition to mmc1_dat[3:0] transition | 1.225 | 6.6 | ns |

(1) P = output mmc1_clk period in ns

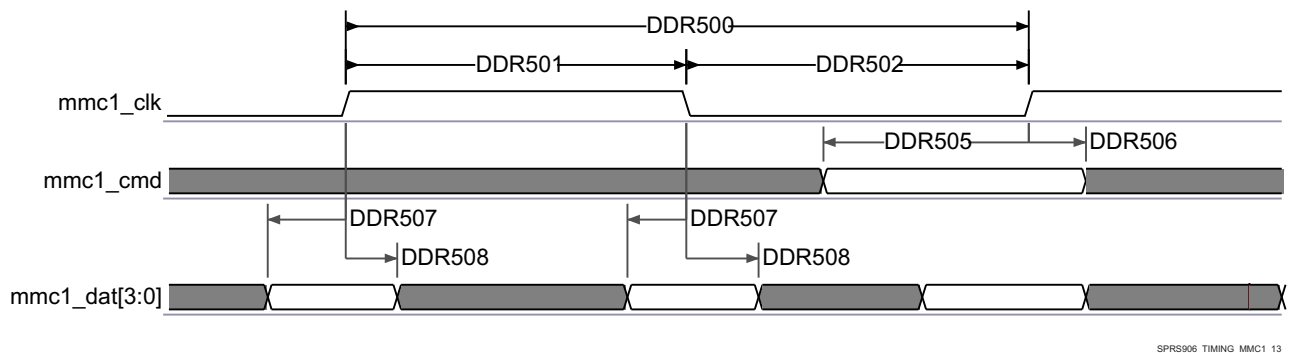


Figure 5-85. SDMMC - High Speed SD - DDR - Data/Command Receive

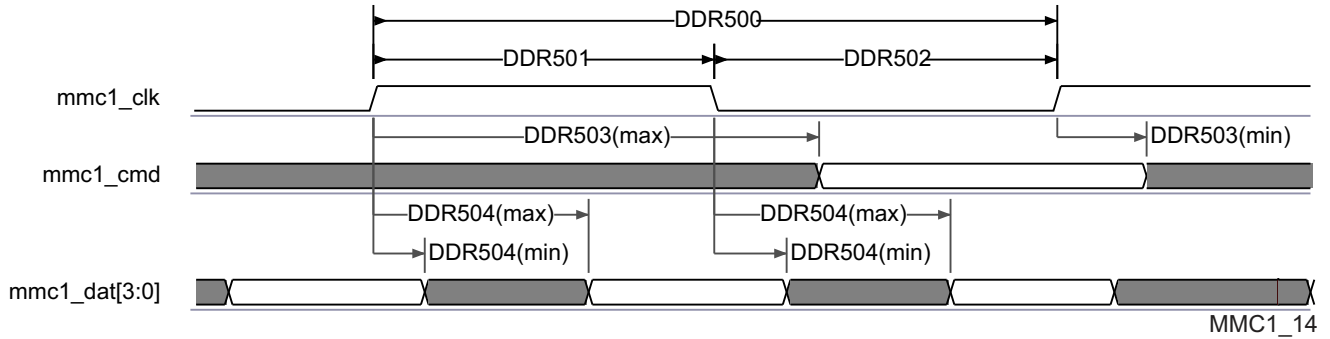


Figure 5-86. SDMMC - High Speed SD - DDR - Data/Command Transmit

NOTE

To configure the desired virtual mode the user must set MODESELECT bit and DELAYMODE bitfield for each corresponding pad control register.

The pad control registers are presented in [Table 4-31](#) and described in Device TRM, *Control Module Chapter*.

Virtual IO Timings Modes must be used to ensure some IO timings for MMC1. See [Table 5-30 Modes Summary](#) for a list of IO timings requiring the use of Virtual IO Timings Modes. See [Table 5-126 Virtual Functions Mapping for MMC1](#) for a definition of the Virtual modes.

[Table 5-126](#) presents the values for DELAYMODE bitfield.

Table 5-126. Virtual Functions Mapping for MMC1

| BALL | BALL NAME | Delay Mode Value | | | | MUXMODE |
|------|-----------|------------------|---------------|---------------|---------------|-----------|
| | | MMC1_VIRTUAL1 | MMC1_VIRTUAL4 | MMC1_VIRTUAL5 | MMC1_VIRTUAL6 | 0 |
| U3 | mmc1_clk | 15 | 12 | 11 | 10 | mmc1_clk |
| V4 | mmc1_cmd | 15 | 12 | 11 | 10 | mmc1_cmd |
| V3 | mmc1_dat0 | 15 | 12 | 11 | 10 | mmc1_dat0 |
| V2 | mmc1_dat1 | 15 | 12 | 11 | 10 | mmc1_dat1 |
| W1 | mmc1_dat2 | 15 | 12 | 11 | 10 | mmc1_dat2 |
| V1 | mmc1_dat3 | 15 | 12 | 11 | 10 | mmc1_dat3 |

NOTE

To configure the desired Manual IO Timing Mode the user must follow the steps described in section Manual IO Timing Modes of the Device TRM.

The associated registers to configure are listed in the **CFG REGISTER** column. For more information see the Control Module chapter in the Device TRM.

Manual IO Timings Modes must be used to ensure some IO timings for MMC1. See [Table 5-30 Modes Summary](#) for a list of IO timings requiring the use of Manual IO Timings Modes. See [Table 5-127 Manual Functions Mapping for MMC1](#) for a definition of the Manual modes.

[Table 5-127](#) lists the A_DELAY and G_DELAY values needed to calculate the correct values to be set in the CFG_x registers.

Table 5-127. Manual Functions Mapping for MMC1

| BALL | BALL NAME | MMC1_MANUAL1 | | MMC1_MANUAL2 | | CFG REGISTER | MUXMODE |
|------|-----------|--------------|--------------|--------------|--------------|-------------------|-----------|
| | | A_DELAY (ps) | G_DELAY (ps) | A_DELAY (ps) | G_DELAY (ps) | | 0 |
| U3 | mmc1_clk | 588 | 0 | - | - | CFG_MMC1_CLK_IN | mmc1_clk |
| V4 | mmc1_cmd | 1000 | 0 | - | - | CFG_MMC1_CMD_IN | mmc1_cmd |
| V3 | mmc1_dat0 | 1375 | 0 | - | - | CFG_MMC1_DAT0_IN | mmc1_dat0 |
| V2 | mmc1_dat1 | 1000 | 0 | - | - | CFG_MMC1_DAT1_IN | mmc1_dat1 |
| W1 | mmc1_dat2 | 1000 | 0 | - | - | CFG_MMC1_DAT2_IN | mmc1_dat2 |
| V1 | mmc1_dat3 | 1000 | 0 | - | - | CFG_MMC1_DAT3_IN | mmc1_dat3 |
| U3 | mmc1_clk | 1230 | 0 | 520 | 320 | CFG_MMC1_CLK_OUT | mmc1_clk |
| V4 | mmc1_cmd | 0 | 0 | 0 | 0 | CFG_MMC1_CMD_OUT | mmc1_cmd |
| V3 | mmc1_dat0 | 56 | 0 | 40 | 0 | CFG_MMC1_DAT0_OUT | mmc1_dat0 |
| V2 | mmc1_dat1 | 76 | 0 | 83 | 0 | CFG_MMC1_DAT1_OUT | mmc1_dat1 |
| W1 | mmc1_dat2 | 91 | 0 | 98 | 0 | CFG_MMC1_DAT2_OUT | mmc1_dat2 |
| V1 | mmc1_dat3 | 99 | 0 | 106 | 0 | CFG_MMC1_DAT3_OUT | mmc1_dat3 |
| V4 | mmc1_cmd | 0 | 0 | 51 | 0 | CFG_MMC1_CMD_OEN | mmc1_cmd |
| V3 | mmc1_dat0 | 0 | 0 | 0 | 0 | CFG_MMC1_DAT0_OEN | mmc1_dat0 |
| V2 | mmc1_dat1 | 0 | 0 | 363 | 0 | CFG_MMC1_DAT1_OEN | mmc1_dat1 |
| W1 | mmc1_dat2 | 0 | 0 | 199 | 0 | CFG_MMC1_DAT2_OEN | mmc1_dat2 |
| V1 | mmc1_dat3 | 0 | 0 | 273 | 0 | CFG_MMC1_DAT3_OEN | mmc1_dat3 |

5.10.6.20.2 MMC2 — eMMC

MMC2 interface is compliant with the JC64 eMMC Standard v4.5 and it supports the following eMMC applications:

- Standard JC64 SDR, 8-bit data, half cycle
- High-speed JC64 SDR, 8-bit data, half cycle
- High-speed HS200 JEDS84, 8-bit data, half cycle
- High-speed JC64 DDR, 8-bit data

NOTE

For more information, see the eMMC/SD/SDIO chapter of the Device TRM.

5.10.6.20.2.1 Standard JC64 SDR, 8-bit data, half cycle

Table 5-128 and Table 5-129 present Timing requirements and Switching characteristics for MMC2 - Standard SDR in receiver and transmitter mode (see Figure 5-87 and Figure 5-88).

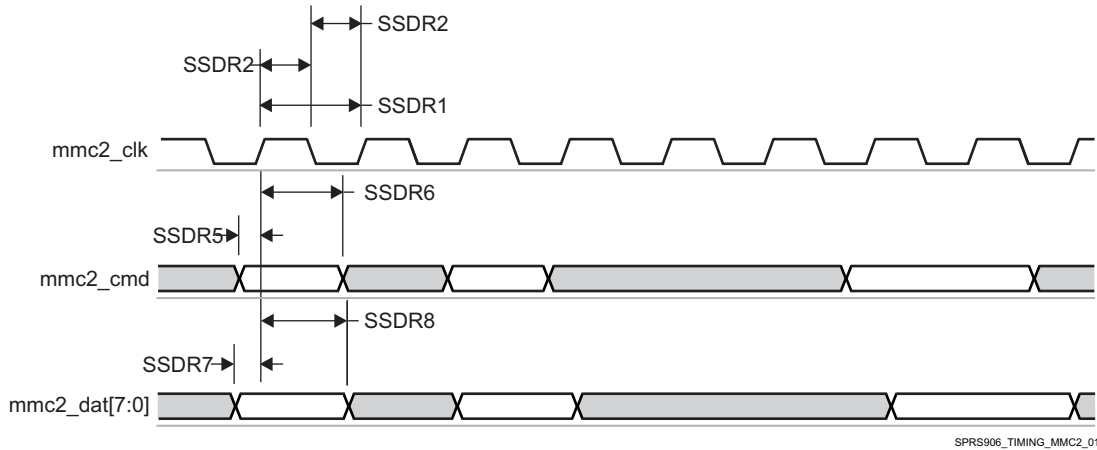
Table 5-128. Timing Requirements for MMC2 - JC64 Standard SDR Mode

| NO. | PARAMETER | DESCRIPTION | MIN | MAX | UNIT |
|-------|---------------------|---|-------|-----|------|
| SSDR5 | $t_{su}(cmdV-clkH)$ | Setup time, mmc2_cmd valid before mmc2_clk rising clock edge | 13.19 | | ns |
| SSDR6 | $t_h(clkH-cmdV)$ | Hold time, mmc2_cmd valid after mmc2_clk rising clock edge | 8.4 | | ns |
| SSDR7 | $t_{su}(dV-clkH)$ | Setup time, mmc2_dat[7:0] valid before mmc2_clk rising clock edge | 13.19 | | ns |
| SSDR8 | $t_h(clkH-dV)$ | Hold time, mmc2_dat[7:0] valid after mmc2_clk rising clock edge | 8.4 | | ns |

Table 5-129. Switching Characteristics for MMC2 - JC64 Standard SDR Mode

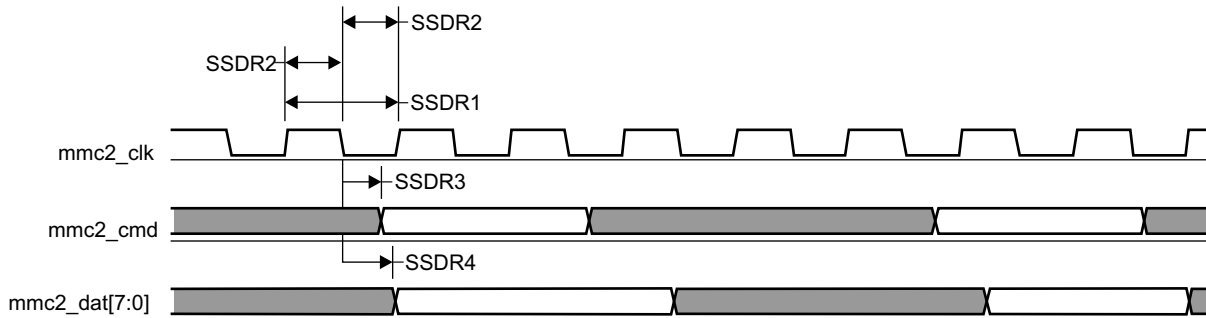
| NO. | PARAMETER | DESCRIPTION | MIN | MAX | UNIT |
|--------|----------------------------|---|------------------------------|-------|------|
| SSDR1 | fop(clk) | Operating frequency, mmc2_clk | | 24 | MHz |
| SSDR2H | t _w (clkH) | Pulse duration, mmc2_clk high | 0.5 × P-0.172 ⁽¹⁾ | | ns |
| SSDR2L | t _w (clkL) | Pulse duration, mmc2_clk low | 0.5 × P-0.172 ⁽¹⁾ | | ns |
| SSDR3 | t _d (clkL-cmdV) | Delay time, mmc2_clk falling clock edge to mmc2_cmd transition | -16.96 | 16.96 | ns |
| SSDR4 | t _d (clkL-dV) | Delay time, mmc2_clk falling clock edge to mmc2_dat[7:0] transition | -16.96 | 16.96 | ns |

(1) P = output mmc2_clk period in ns



SPRS906_TIMING_MMC2_01

Figure 5-87. MMC/SD/SDIO in - Standard JC64 - Receiver Mode



SPRS906_TIMING_MMC2_02

Figure 5-88. MMC/SD/SDIO in - Standard JC64 - Transmitter Mode

5.10.6.20.2.2 High-speed JC64 SDR, 8-bit data, half cycle

Table 5-130 and Table 5-131 present Timing requirements and Switching characteristics for MMC2 - High speed SDR in receiver and transmitter mode (see Figure 5-89 and Figure 5-90).

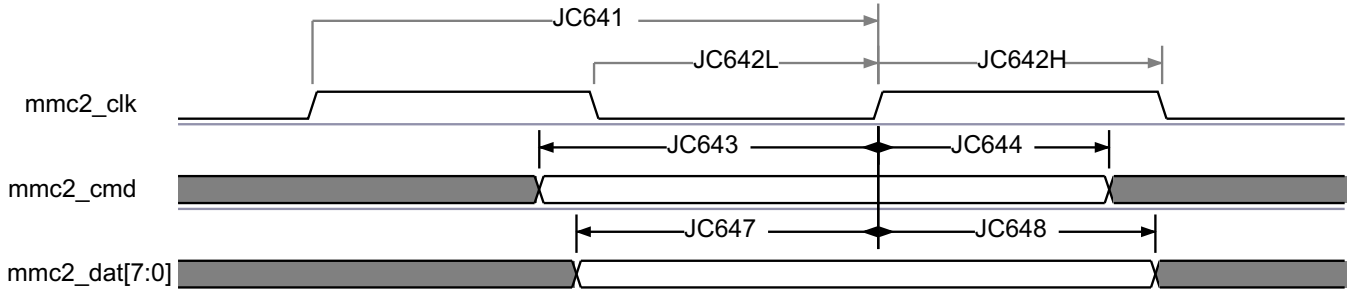
Table 5-130. Timing Requirements for MMC2 - JC64 High Speed SDR Mode

| NO. | PARAMETER | DESCRIPTION | MIN | MAX | UNIT |
|-------|-----------------------------|---|-----|-----|------|
| JC643 | t _{su} (cmdV-clkH) | Setup time, mmc2_cmd valid before mmc2_clk rising clock edge | 5.6 | | ns |
| JC644 | t _h (clkH-cmdV) | Hold time, mmc2_cmd valid after mmc2_clk rising clock edge | 2.6 | | ns |
| JC647 | t _{su} (dV-clkH) | Setup time, mmc2_dat[7:0] valid before mmc2_clk rising clock edge | 5.6 | | ns |
| JC648 | t _h (clkH-dV) | Hold time, mmc2_dat[7:0] valid after mmc2_clk rising clock edge | 2.6 | | ns |

Table 5-131. Switching Characteristics for MMC2 - JC64 High Speed SDR Mode

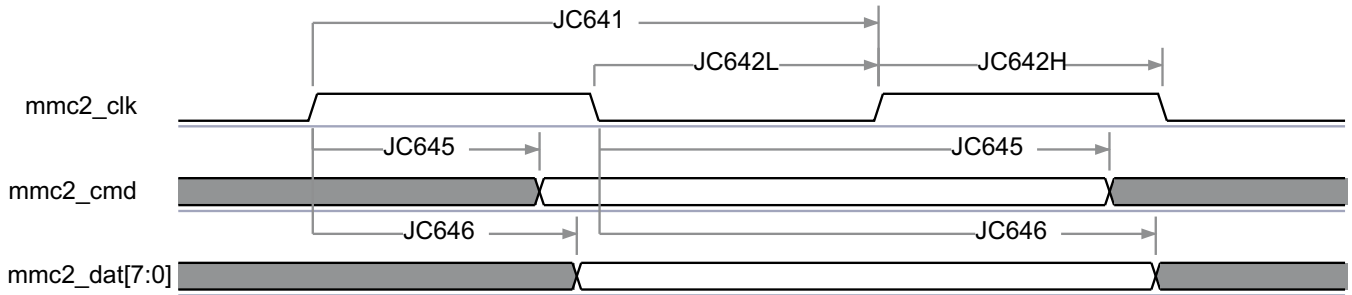
| NO. | PARAMETER | DESCRIPTION | MIN | MAX | UNIT |
|--------|----------------------------|---|------------------------------|------|------|
| JC641 | fop(clk) | Operating frequency, mmc2_clk | | 48 | MHz |
| JC642H | t _w (clkH) | Pulse duration, mmc2_clk high | 0.5 × P-0.172 ⁽¹⁾ | | ns |
| JC642L | t _w (clkL) | Pulse duration, mmc2_clk low | 0.5 × P-0.172 ⁽¹⁾ | | ns |
| JC645 | t _d (clkL-cmdV) | Delay time, mmc2_clk falling clock edge to mmc2_cmd transition | -6.64 | 6.64 | ns |
| JC646 | t _d (clkL-dV) | Delay time, mmc2_clk falling clock edge to mmc2_dat[7:0] transition | -6.64 | 6.64 | ns |

(1) P = output mmc2_clk period in ns



SPRS906_TIMING_MMC2_03

Figure 5-89. MMC/SD/SDIO in - High Speed JC64 - Receiver Mode



MMC2_04

Figure 5-90. MMC/SD/SDIO in - High Speed JC64 - transmitter Mode

5.10.6.20.2.3 High-speed HS200 JEDS84 SDR, 8-bit data, half cycle

Table 5-132 presents Switching characteristics for MMC2 - HS200 in transmitter mode (see Figure 5-91).

Table 5-132. Switching Characteristics for MMC2 - JEDS84 HS200 Mode

| NO. | PARAMETER | DESCRIPTION | MIN | MAX | UNIT |
|---------|----------------------------|---|------------------------------|-------|------|
| HS2001 | fop(clk) | Operating frequency, mmc2_clk | | 192 | MHz |
| HS2002H | t _w (clkH) | Pulse duration, mmc2_clk high | 0.5 × P-0.172 ⁽¹⁾ | | ns |
| HS2002L | t _w (clkL) | Pulse duration, mmc2_clk low | 0.5 × P-0.172 ⁽¹⁾ | | ns |
| HS2005 | t _d (clkL-cmdV) | Delay time, mmc2_clk falling clock edge to mmc2_cmd transition | -1.136 | 0.536 | ns |
| HS2006 | t _d (clkL-dV) | Delay time, mmc2_clk falling clock edge to mmc2_dat[7:0] transition | -1.136 | 0.536 | ns |

(1) P = output mmc2_clk period in ns

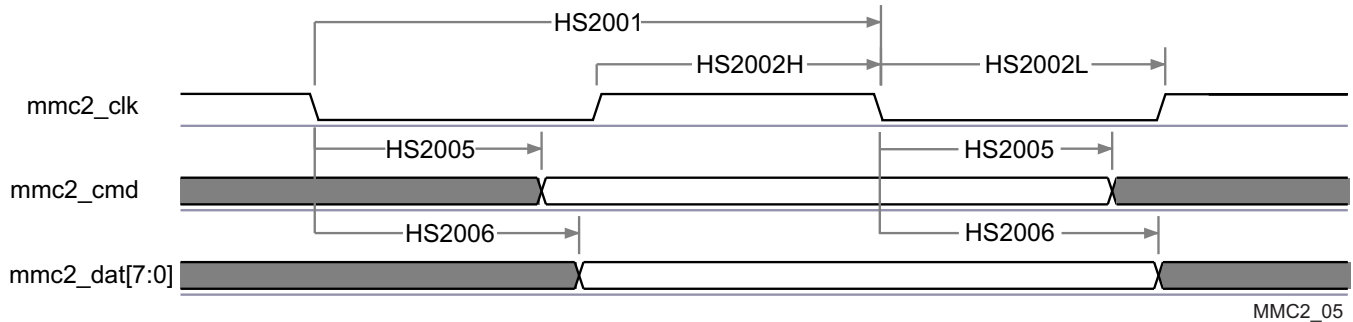


Figure 5-91. eMMC in - HS200 SDR - Transmitter Mode

5.10.6.20.2.4 High-speed JC64 DDR, 8-bit data

Table 5-133 and Table 5-134 present Timing requirements and Switching characteristics for MMC2 - High speed DDR in receiver and transmitter mode (see Figure 5-92 and Figure 5-93).

Table 5-133. Timing Requirements for MMC2 - JC64 High Speed DDR Mode

| NO. | PARAMETER | DESCRIPTION | MODE | MIN | MAX | UNIT |
|------|----------------------------|--|---|------|-----|------|
| DDR3 | t _{su} (cmdV-clk) | Setup time, mmc2_cmd valid before mmc2_clk transition | | 1.8 | | ns |
| DDR4 | t _h (clk-cmdV) | Hold time, mmc2_cmd valid after mmc2_clk transition | | 1.6 | | ns |
| DDR7 | t _{su} (dV-clk) | Setup time, mmc2_dat[7:0] valid before mmc2_clk transition | | 1.8 | | ns |
| DDR8 | t _h (clk-dV) | Hold time, mmc2_dat[7:0] valid after mmc2_clk transition | Pad Loopback (1.8V and 3.3V), Boot | 1.6 | | ns |
| | | | Internal Loopback (1.8V with MMC2_VIRTUAL2) | 1.86 | | ns |
| | | | Internal Loopback (3.3V with MMC2_VIRTUAL2) | 1.95 | | ns |
| | | | Internal Loopback (1.8V with MMC2_MANUAL2) | | | ns |
| | | | Internal Loopback (3.3V with MMC2_MANUAL2) | 1.6 | | ns |

Table 5-134. Switching Characteristics for MMC2 - JC64 High Speed DDR Mode

| NO. | PARAMETER | DESCRIPTION | MIN | MAX | UNIT |
|-------|-----------------------|-------------------------------|------------------------------|-----|------|
| DDR1 | fop(clk) | Operating frequency, mmc2_clk | | 48 | MHz |
| DDR2H | t _w (clkH) | Pulse duration, mmc2_clk high | 0.5 × P-0.172 ⁽¹⁾ | | ns |
| DDR2L | t _w (clkL) | Pulse duration, mmc2_clk low | 0.5 × P-0.172 ⁽¹⁾ | | ns |

Table 5-134. Switching Characteristics for MMC2 - JC64 High Speed DDR Mode (continued)

| NO. | PARAMETER | DESCRIPTION | MIN | MAX | UNIT |
|------|--------------------------|---|-----|------|------|
| DDR5 | $t_{d(\text{clk-cmdV})}$ | Delay time, mmc2_clk transition to mmc2_cmd transition | 2.9 | 7.14 | ns |
| DDR6 | $t_{d(\text{clk-dV})}$ | Delay time, mmc2_clk transition to mmc2_dat[7:0] transition | 2.9 | 7.14 | ns |

(1) P = output mmc2_clk period in ns

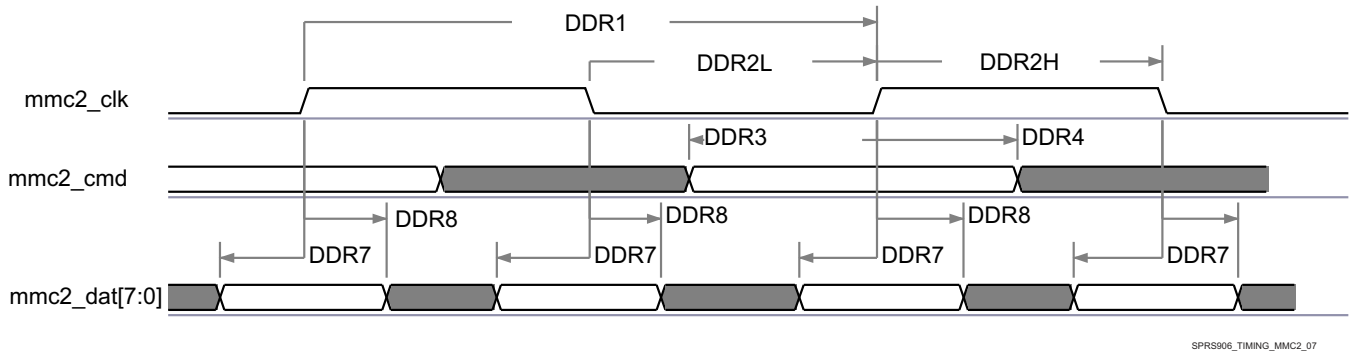


Figure 5-92. MMC/SD/SDIO in - High Speed DDR JC64 - Receiver Mode

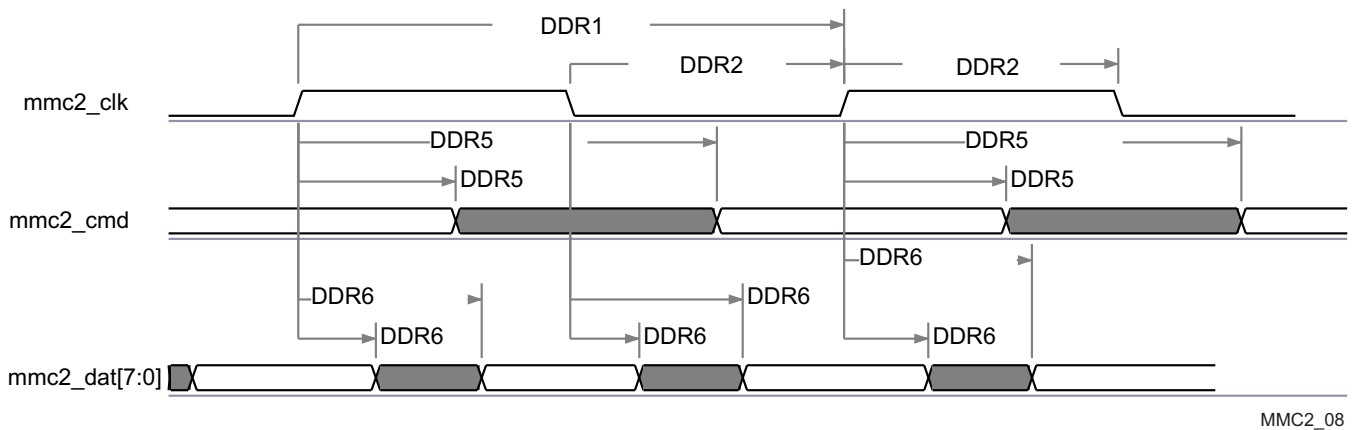


Figure 5-93. MMC/SD/SDIO in - High Speed DDR JC64 - Transmitter Mode

NOTE

To configure the desired virtual mode the user must set MODESELECT bit and DELAYMODE bitfield for each corresponding pad control register.

The pad control registers are presented in [Table 4-31](#) and described in Device TRM, *Control Module Chapter*.

Virtual IO Timings Modes must be used to ensure some IO timings for MMC2. See [Table 5-30 Modes Summary](#) for a list of IO timings requiring the use of Virtual IO Timings Modes. See [Table 5-135 Virtual Functions Mapping for MMC2](#) for a definition of the Virtual modes.

[Table 5-135](#) presents the values for DELAYMODE bitfield.

Table 5-135. Virtual Functions Mapping for MMC2

| BALL | BALL NAME | Delay Mode Value | MUXMODE |
|------|-----------|------------------|-----------|
| | | MMC2_VIRTUAL2 | 1 |
| A6 | gpmc_cs1 | 13 | mmc2_cmd |
| A4 | gpmc_a19 | 13 | mmc2_dat4 |

Table 5-135. Virtual Functions Mapping for MMC2 (continued)

| BALL | BALL NAME | Delay Mode Value | MUXMODE |
|------|-----------|------------------|-----------|
| | | MMC2_VIRTUAL2 | 1 |
| E7 | gpmc_a20 | 13 | mmc2_dat5 |
| D6 | gpmc_a21 | 13 | mmc2_dat6 |
| C5 | gpmc_a22 | 13 | mmc2_dat7 |
| B5 | gpmc_a23 | 13 | mmc2_clk |
| D7 | gpmc_a24 | 13 | mmc2_dat0 |
| C6 | gpmc_a25 | 13 | mmc2_dat1 |
| A5 | gpmc_a26 | 13 | mmc2_dat2 |
| B6 | gpmc_a27 | 13 | mmc2_dat3 |

NOTE

To configure the desired Manual IO Timing Mode the user must follow the steps described in section Manual IO Timing Modes of the Device TRM.

The associated registers to configure are listed in the **CFG REGISTER** column. For more information see the Control Module chapter in the Device TRM.

Manual IO Timings Modes must be used to ensure some IO timings for MMC2. See [Table 5-30 Modes Summary](#) for a list of IO timings requiring the use of Manual IO Timings Modes. See [Table 5-136 Manual Functions Mapping for MMC2](#) for a definition of the Manual modes.

[Table 5-136](#) lists the A_DELAY and G_DELAY values needed to calculate the correct values to be set in the CFG_x registers.

Table 5-136. Manual Functions Mapping for MMC2

| BALL | BALL NAME | MMC2_MANUAL1 | | MMC2_MANUAL2 | | MMC2_MANUAL3 | | CFG REGISTER | MUXMODE |
|------|-----------|--------------|--------------|--------------|--------------|--------------|--------------|------------------|-----------|
| | | A_DELAY (ps) | G_DELAY (ps) | A_DELAY (ps) | G_DELAY (ps) | A_DELAY (ps) | G_DELAY (ps) | | 1 |
| A4 | gpmc_a19 | 0 | 0 | 0 | 14 | - | - | CFG_GPMC_A19_IN | mmc2_dat4 |
| E7 | gpmc_a20 | 119 | 0 | 127 | 0 | - | - | CFG_GPMC_A20_IN | mmc2_dat5 |
| D6 | gpmc_a21 | 0 | 0 | 22 | 0 | - | - | CFG_GPMC_A21_IN | mmc2_dat6 |
| C5 | gpmc_a22 | 18 | 0 | 72 | 0 | - | - | CFG_GPMC_A22_IN | mmc2_dat7 |
| B5 | gpmc_a23 | 894 | 0 | 410 | 4000 | - | - | CFG_GPMC_A23_IN | mmc2_clk |
| D7 | gpmc_a24 | 30 | 0 | 82 | 0 | - | - | CFG_GPMC_A24_IN | mmc2_dat0 |
| C6 | gpmc_a25 | 0 | 0 | 0 | 0 | - | - | CFG_GPMC_A25_IN | mmc2_dat1 |
| A5 | gpmc_a26 | 23 | 0 | 77 | 0 | - | - | CFG_GPMC_A26_IN | mmc2_dat2 |
| B6 | gpmc_a27 | 0 | 0 | 0 | 0 | - | - | CFG_GPMC_A27_IN | mmc2_dat3 |
| A6 | gpmc_cs1 | 0 | 0 | 0 | 0 | - | - | CFG_GPMC_CS1_IN | mmc2_cmd |
| A4 | gpmc_a19 | 152 | 0 | 152 | 0 | 285 | 0 | CFG_GPMC_A19_OUT | mmc2_dat4 |
| E7 | gpmc_a20 | 206 | 0 | 206 | 0 | 189 | 0 | CFG_GPMC_A20_OUT | mmc2_dat5 |
| D6 | gpmc_a21 | 78 | 0 | 78 | 0 | 0 | 120 | CFG_GPMC_A21_OUT | mmc2_dat6 |
| C5 | gpmc_a22 | 2 | 0 | 2 | 0 | 0 | 70 | CFG_GPMC_A22_OUT | mmc2_dat7 |
| B5 | gpmc_a23 | 266 | 0 | 266 | 0 | 730 | 360 | CFG_GPMC_A23_OUT | mmc2_clk |
| D7 | gpmc_a24 | 0 | 0 | 0 | 0 | 0 | 0 | CFG_GPMC_A24_OUT | mmc2_dat0 |
| C6 | gpmc_a25 | 0 | 0 | 0 | 0 | 0 | 0 | CFG_GPMC_A25_OUT | mmc2_dat1 |
| A5 | gpmc_a26 | 43 | 0 | 43 | 0 | 70 | 0 | CFG_GPMC_A26_OUT | mmc2_dat2 |
| B6 | gpmc_a27 | 0 | 0 | 0 | 0 | 0 | 0 | CFG_GPMC_A27_OUT | mmc2_dat3 |
| A6 | gpmc_cs1 | 0 | 0 | 0 | 0 | 0 | 120 | CFG_GPMC_CS1_OUT | mmc2_cmd |
| A4 | gpmc_a19 | 0 | 0 | 0 | 0 | 0 | 0 | CFG_GPMC_A19_OEN | mmc2_dat4 |

Table 5-136. Manual Functions Mapping for MMC2 (continued)

| BALL | BALL NAME | MMC2_MANUAL1 | | MMC2_MANUAL2 | | MMC2_MANUAL3 | | CFG REGISTER | MUXMODE |
|------|-----------|--------------|--------------|--------------|--------------|--------------|--------------|------------------|-----------|
| | | A_DELAY (ps) | G_DELAY (ps) | A_DELAY (ps) | G_DELAY (ps) | A_DELAY (ps) | G_DELAY (ps) | | 1 |
| E7 | gpmc_a20 | 0 | 0 | 0 | 0 | 231 | 0 | CFG_GPMC_A20_OEN | mmc2_dat5 |
| D6 | gpmc_a21 | 0 | 0 | 0 | 0 | 39 | 0 | CFG_GPMC_A21_OEN | mmc2_dat6 |
| C5 | gpmc_a22 | 0 | 0 | 0 | 0 | 91 | 0 | CFG_GPMC_A22_OEN | mmc2_dat7 |
| D7 | gpmc_a24 | 0 | 0 | 0 | 0 | 176 | 0 | CFG_GPMC_A24_OEN | mmc2_dat0 |
| C6 | gpmc_a25 | 0 | 0 | 0 | 0 | 0 | 0 | CFG_GPMC_A25_OEN | mmc2_dat1 |
| A5 | gpmc_a26 | 0 | 0 | 0 | 0 | 101 | 0 | CFG_GPMC_A26_OEN | mmc2_dat2 |
| B6 | gpmc_a27 | 0 | 0 | 0 | 0 | 0 | 0 | CFG_GPMC_A27_OEN | mmc2_dat3 |
| A6 | gpmc_cs1 | 0 | 0 | 0 | 0 | 360 | 0 | CFG_GPMC_CS1_OEN | mmc2_cmd |

5.10.6.20.3 MMC3 and MMC4—SDIO/SD

MMC3 and MMC4 interfaces are compliant with the SDIO3.0 standard v1.0, SD Part E1 and for generic SDIO devices, it supports the following applications:

- MMC3 8-bit data and MMC4 4-bit data, SD Default speed, SDR
- MMC3 8-bit data and MMC4 4-bit data, SD High speed, SDR
- MMC3 8-bit data and MMC4 4-bit data, UHS-1 SDR12 (SD Standard v3.01), 4-bit data, SDR, half cycle
- MMC3 8-bit data and MMC4 4-bit data, UHS-I SDR25 (SD Standard v3.01), 4-bit data, SDR, half cycle
- MMC3 8-bit data, UHS-I SDR50

NOTE

The eMMC/SD/SDIO_j (j = 3 to 4) controller is also referred to as MMC_j.

NOTE

For more information, see the MMC/SDIO chapter of the Device TRM.

5.10.6.20.3.1 MMC3 and MMC4, SD Default Speed

Figure 5-94, Figure 5-95, and Table 5-137 through Table 5-140 present Timing requirements and Switching characteristics for MMC3 and MMC4 - SD Default speed in receiver and transmitter mode.

Table 5-137. Timing Requirements for MMC3 - Default Speed Mode ⁽¹⁾

| NO. | PARAMETER | DESCRIPTION | MIN | MAX | UNIT |
|-----|---------------------|---|-------|-----|------|
| DS5 | $t_{su}(cmdV-clkH)$ | Setup time, mmc3_cmd valid before mmc3_clk rising clock edge | 5.11 | | ns |
| DS6 | $t_h(clkH-cmdV)$ | Hold time, mmc3_cmd valid after mmc3_clk rising clock edge | 20.46 | | ns |
| DS7 | $t_{su}(dV-clkH)$ | Setup time, mmc3_dat[i:0] valid before mmc3_clk rising clock edge | 5.11 | | ns |
| DS8 | $t_h(clkH-dV)$ | Hold time, mmc3_dat[i:0] valid after mmc3_clk rising clock edge | 20.46 | | ns |

(1) i in [i:0] = 7

Table 5-138. Switching Characteristics for MMC3 - SD/SDIO Default Speed Mode ⁽²⁾

| NO. | PARAMETER | DESCRIPTION | MIN | MAX | UNIT |
|-----|-------------|-------------------------------|------------------------------|-----|------|
| DS0 | fop(clk) | Operating frequency, mmc3_clk | | 24 | MHz |
| DS1 | $t_w(clkH)$ | Pulse duration, mmc3_clk high | 0.5 × P-0.270 ⁽¹⁾ | | ns |

Table 5-138. Switching Characteristics for MMC3 - SD/SDIO Default Speed Mode ⁽²⁾ (continued)

| NO. | PARAMETER | DESCRIPTION | MIN | MAX | UNIT |
|-----|---------------------------|---|---------------------------------------|-------|------|
| DS2 | $t_{w(\text{clkL})}$ | Pulse duration, mmc3_clk low | $0.5 \times P - 0.270$ ⁽¹⁾ | | ns |
| DS3 | $t_{d(\text{clkL-cmdV})}$ | Delay time, mmc3_clk falling clock edge to mmc3_cmd transition | -14.93 | 14.93 | ns |
| DS4 | $t_{d(\text{clkL-dV})}$ | Delay time, mmc3_clk falling clock edge to mmc3_dat[i:0] transition | -14.93 | 14.93 | ns |

(1) P = output mmc3_clk period in ns

(2) i in [i:0] = 7

Table 5-139. Timing Requirements for MMC4 - Default Speed Mode ⁽¹⁾

| NO. | PARAMETER | DESCRIPTION | MIN | MAX | UNIT |
|-----|----------------------------|---|-------|-----|------|
| DS5 | $t_{su(\text{cmdV-clkH})}$ | Setup time, mmc4_cmd valid before mmc4_clk rising clock edge | 5.11 | | ns |
| DS6 | $t_{h(\text{clkH-cmdV})}$ | Hold time, mmc4_cmd valid after mmc4_clk rising clock edge | 20.46 | | ns |
| DS7 | $t_{su(\text{dV-clkH})}$ | Setup time, mmc4_dat[i:0] valid before mmc4_clk rising clock edge | 5.11 | | ns |
| DS8 | $t_{h(\text{clkH-dV})}$ | Hold time, mmc4_dat[i:0] valid after mmc4_clk rising clock edge | 20.46 | | ns |

(1) i in [i:0] = 3

Table 5-140. Switching Characteristics for MMC4 - Default Speed Mode ⁽²⁾

| NO. | PARAMETER | DESCRIPTION | MIN | MAX | UNIT |
|-----|---------------------------|---|---------------------------------------|-------|------|
| DS0 | fop(clk) | Operating frequency, mmc4_clk | | 24 | MHz |
| DS1 | $t_{w(\text{clkH})}$ | Pulse duration, mmc4_clk high | $0.5 \times P - 0.270$ ⁽¹⁾ | | ns |
| DS2 | $t_{w(\text{clkL})}$ | Pulse duration, mmc4_clk low | $0.5 \times P - 0.270$ ⁽¹⁾ | | ns |
| DS3 | $t_{d(\text{clkL-cmdV})}$ | Delay time, mmc4_clk falling clock edge to mmc4_cmd transition | -14.93 | 14.93 | ns |
| DS4 | $t_{d(\text{clkL-dV})}$ | Delay time, mmc4_clk falling clock edge to mmc4_dat[i:0] transition | -14.93 | 14.93 | ns |

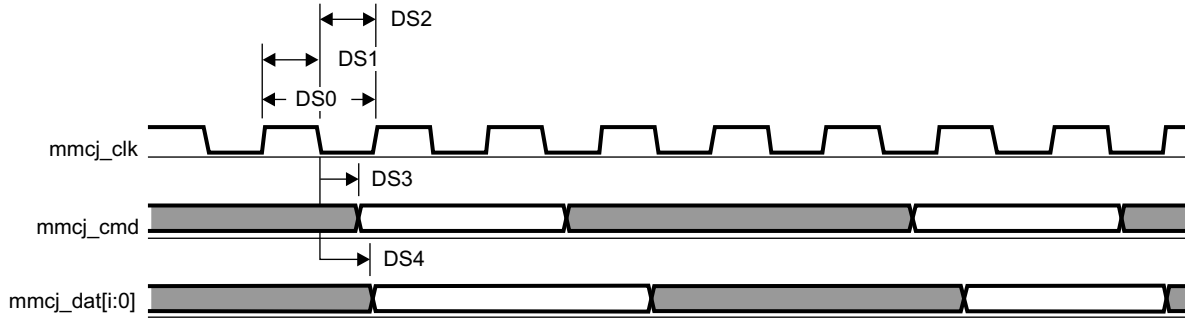
(1) P = output mmc4_clk period in ns

(2) i in [i:0] = 3



SPRS906_TIMING_MMC3_07

Figure 5-94. MMC/SD/SDIOj in - Default Speed - Receiver Mode



SPRS906_TIMING_MMC3_08

Figure 5-95. MMC/SD/SDIOj in - Default Speed - Transmitter Mode

5.10.6.20.3.2 MMC3 and MMC4, SD High Speed

Figure 5-96, Figure 5-97, and Table 5-141 through Table 5-144 present Timing requirements and Switching characteristics for MMC3 and MMC4 - SD and SDIO High speed in receiver and transmitter mode.

Table 5-141. Timing Requirements for MMC3 - SD/SDIO High Speed Mode ⁽¹⁾

| NO. | PARAMETER | DESCRIPTION | MIN | MAX | UNIT |
|-----|---------------------|---|-----|-----|------|
| HS3 | $t_{su(cmdV-clkH)}$ | Setup time, mmc3_cmd valid before mmc3_clk rising clock edge | 5.3 | | ns |
| HS4 | $t_{h(clkH-cmdV)}$ | Hold time, mmc3_cmd valid after mmc3_clk rising clock edge | 2.6 | | ns |
| HS7 | $t_{su(dV-clkH)}$ | Setup time, mmc3_dat[i:0] valid before mmc3_clk rising clock edge | 5.3 | | ns |
| HS8 | $t_{h(clkH-dV)}$ | Hold time, mmc3_dat[i:0] valid after mmc3_clk rising clock edge | 2.6 | | ns |

(1) i in [i:0] = 7

Table 5-142. Switching Characteristics for MMC3 - SD/SDIO High Speed Mode ⁽²⁾

| NO. | PARAMETER | DESCRIPTION | MIN | MAX | UNIT |
|------|--------------------|---|---------------------------------------|-----|------|
| HS1 | fop(clk) | Operating frequency, mmc3_clk | | 48 | MHz |
| HS2H | $t_{w(clkH)}$ | Pulse duration, mmc3_clk high | $0.5 \times P - 0.270$ ⁽¹⁾ | | ns |
| HS2L | $t_{w(clkL)}$ | Pulse duration, mmc3_clk low | $0.5 \times P - 0.270$ ⁽¹⁾ | | ns |
| HS5 | $t_{d(clkL-cmdV)}$ | Delay time, mmc3_clk falling clock edge to mmc3_cmd transition | -7.6 | 3.6 | ns |
| HS6 | $t_{d(clkL-dV)}$ | Delay time, mmc3_clk falling clock edge to mmc3_dat[i:0] transition | -7.6 | 3.6 | ns |

(1) P = output mmc3_clk period in ns

(2) i in [i:0] = 7

Table 5-143. Timing Requirements for MMC4 - High Speed Mode ⁽¹⁾

| NO. | PARAMETER | DESCRIPTION | MIN | MAX | UNIT |
|-----|---------------------|---|-----|-----|------|
| HS3 | $t_{su(cmdV-clkH)}$ | Setup time, mmc4_cmd valid before mmc4_clk rising clock edge | 5.3 | | ns |
| HS4 | $t_{h(clkH-cmdV)}$ | Hold time, mmc4_cmd valid after mmc4_clk rising clock edge | 1.6 | | ns |
| HS7 | $t_{su(dV-clkH)}$ | Setup time, mmc4_dat[i:0] valid before mmc4_clk rising clock edge | 5.3 | | ns |
| HS8 | $t_{h(clkH-dV)}$ | Hold time, mmc4_dat[i:0] valid after mmc4_clk rising clock edge | 1.6 | | ns |

(1) i in [i:0] = 3

Table 5-144. Switching Characteristics for MMC4 - High Speed Mode ⁽²⁾

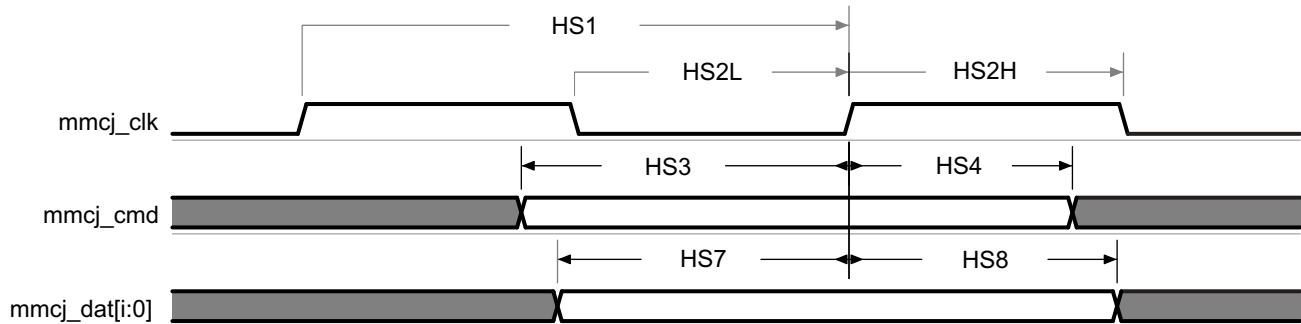
| NO. | PARAMETER | DESCRIPTION | MIN | MAX | UNIT |
|------|---------------|-------------------------------|---------------------------------------|-----|------|
| HS1 | fop(clk) | Operating frequency, mmc4_clk | | 48 | MHz |
| HS2H | $t_{w(clkH)}$ | Pulse duration, mmc4_clk high | $0.5 \times P - 0.270$ ⁽¹⁾ | | ns |

Table 5-144. Switching Characteristics for MMC4 - High Speed Mode ⁽²⁾ (continued)

| NO. | PARAMETER | DESCRIPTION | MIN | MAX | UNIT |
|------|---------------------------|---|---------------------------------------|-----|------|
| HS2L | $t_{w(\text{clkL})}$ | Pulse duration, mmc4_clk low | $0.5 \times P - 0.270$ ⁽¹⁾ | | ns |
| HS5 | $t_{d(\text{clkL-cmdV})}$ | Delay time, mmc4_clk falling clock edge to mmc4_cmd transition | -8.8 | 6.6 | ns |
| HS6 | $t_{d(\text{clkL-dV})}$ | Delay time, mmc4_clk falling clock edge to mmc4_dat[i:0] transition | -8.8 | 6.6 | ns |

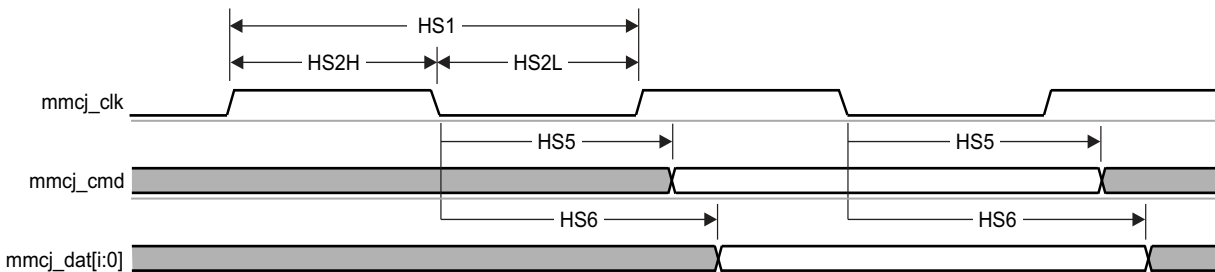
(1) P = output mmc4_clk period in ns

(2) i in [i:0] = 3



SPRS906_TIMING_MMC3_09

Figure 5-96. MMC/SD/SDIOj in - High Speed 3.3V Signaling - Receiver Mode



SPRS906_TIMING_MMC3_10

Figure 5-97. MMC/SD/SDIOj in - High Speed 3.3V Signaling - Transmitter Mode

5.10.6.20.3.3 MMC3 and MMC4, SD and SDIO SDR12 Mode

Figure 5-98, Figure 5-99, and Table 5-145, through Table 5-148 present Timing requirements and Switching characteristics for MMC3 and MMC4 - SD and SDIO SDR12 in receiver and transmitter mode.

Table 5-145. Timing Requirements for MMC3 - SDR12 Mode ⁽¹⁾

| NO. | PARAMETER | DESCRIPTION | MIN | MAX | UNIT |
|--------|----------------------------|---|-------|-----|------|
| SDR125 | $t_{su(\text{cmdV-clkH})}$ | Setup time, mmc3_cmd valid before mmc3_clk rising clock edge | 25.99 | | ns |
| SDR126 | $t_{h(\text{clkH-cmdV})}$ | Hold time, mmc3_cmd valid after mmc3_clk rising clock edge | 1.6 | | ns |
| SDR127 | $t_{su(\text{dV-clkH})}$ | Setup time, mmc3_dat[i:0] valid before mmc3_clk rising clock edge | 25.99 | | ns |
| SDR128 | $t_{h(\text{clkH-dV})}$ | Hold time, mmc3_dat[i:0] valid after mmc3_clk rising clock edge | 1.6 | | ns |

(1) i in [i:0] = 7

Table 5-146. Switching Characteristics for MMC3 - SDR12 Mode ⁽²⁾

| NO. | PARAMETER | DESCRIPTION | MIN | MAX | UNIT |
|--------|----------------------|-------------------------------|---------------------------------------|-----|------|
| SDR120 | fop(clk) | Operating frequency, mmc3_clk | | 24 | MHz |
| SDR121 | $t_{w(\text{clkH})}$ | Pulse duration, mmc3_clk high | $0.5 \times P - 0.270$ ⁽¹⁾ | | ns |

Table 5-146. Switching Characteristics for MMC3 - SDR12 Mode ⁽²⁾ (continued)

| NO. | PARAMETER | DESCRIPTION | MIN | MAX | UNIT |
|--------|---------------------------|---|---------------------------------------|-------|------|
| SDR122 | $t_{w(\text{clkL})}$ | Pulse duration, mmc3_clk low | $0.5 \times P - 0.270$ ⁽¹⁾ | | ns |
| SDR123 | $t_{d(\text{clkL-cmdV})}$ | Delay time, mmc3_clk falling clock edge to mmc3_cmd transition | -19.13 | 16.93 | ns |
| SDR124 | $t_{d(\text{clkL-dV})}$ | Delay time, mmc3_clk falling clock edge to mmc3_dat[i:0] transition | -19.13 | 16.93 | ns |

(1) P = output mmc3_clk period in ns

(2) i in [i:0] = 7

Table 5-147. Timing Requirements for MMC4 - SDR12 Mode ⁽¹⁾

| NO. | PARAMETER | DESCRIPTION | MIN | MAX | UNIT |
|--------|----------------------------|---|-------|-----|------|
| SDR125 | $t_{su(\text{cmdV-clkH})}$ | Setup time, mmc4_cmd valid before mmc4_clk rising clock edge | 25.99 | | ns |
| SDR126 | $t_{h(\text{clkH-cmdV})}$ | Hold time, mmc4_cmd valid after mmc4_clk rising clock edge | 1.6 | | ns |
| SDR127 | $t_{su(\text{dV-clkH})}$ | Setup time, mmc4_dat[i:0] valid before mmc4_clk rising clock edge | 25.99 | | ns |
| SDR128 | $t_{h(\text{clkH-dV})}$ | Hold time, mmc4_dat[i:0] valid after mmc4_clk rising clock edge | 1.6 | | ns |

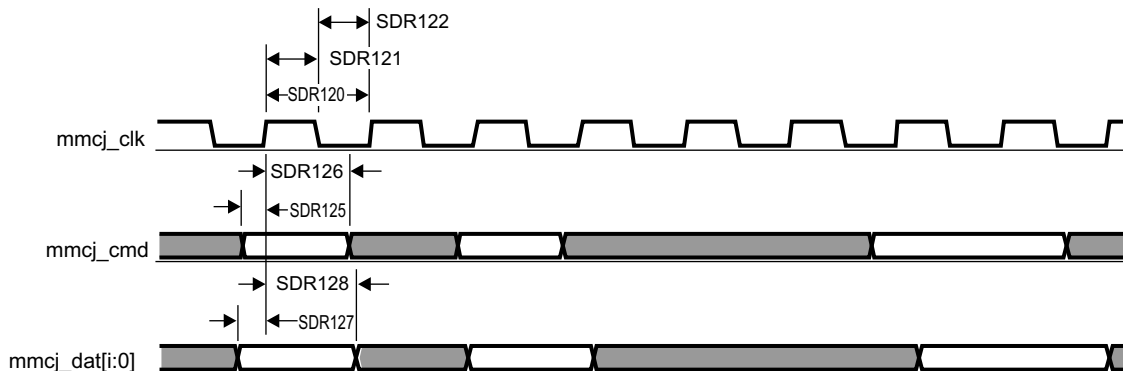
(1) j in [i:0] = 3

Table 5-148. Switching Characteristics for MMC4 - SDR12 Mode ⁽²⁾

| NO. | PARAMETER | DESCRIPTION | MIN | MAX | UNIT |
|--------|---------------------------|---|---------------------------------------|-------|------|
| SDR120 | fop(clk) | Operating frequency, mmc4_clk | | 24 | MHz |
| SDR121 | $t_{w(\text{clkH})}$ | Pulse duration, mmc4_clk high | $0.5 \times P - 0.270$ ⁽¹⁾ | | ns |
| SDR122 | $t_{w(\text{clkL})}$ | Pulse duration, mmc4_clk low | $0.5 \times P - 0.270$ ⁽¹⁾ | | ns |
| SDR125 | $t_{d(\text{clkL-cmdV})}$ | Delay time, mmc4_clk falling clock edge to mmc4_cmd transition | -19.13 | 16.93 | ns |
| SDR126 | $t_{d(\text{clkL-dV})}$ | Delay time, mmc4_clk falling clock edge to mmc4_dat[i:0] transition | -19.13 | 16.93 | ns |

(1) P = output mmc4_clk period in ns

(2) j in [i:0] = 3



SPRS906_TIMING_MMC3_11

Figure 5-98. MMC/SD/SDIOj in - SDR12 - Receiver Mode

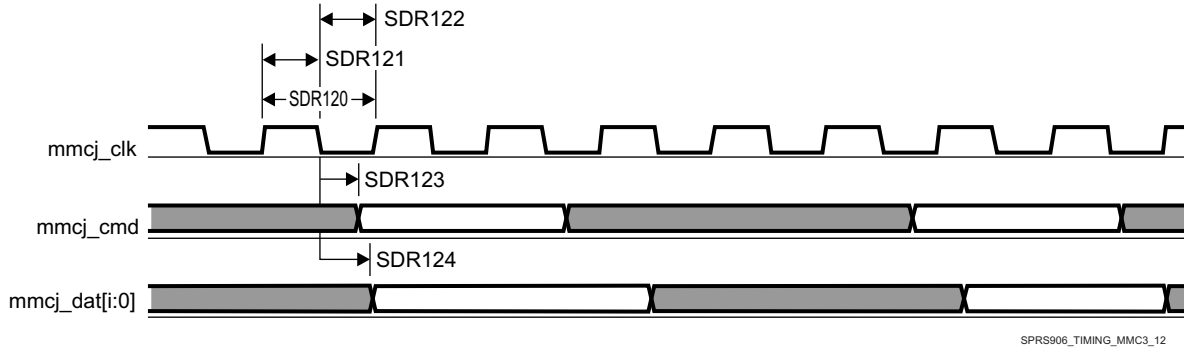


Figure 5-99. MMC/SD/SDIOj in - SDR12 - Transmitter Mode

5.10.6.20.3.4 MMC3 and MMC4, SD SDR25 Mode

Figure 5-100, Figure 5-101, and Table 5-149, through Table 5-152 present Timing requirements and Switching characteristics for MMC3 and MMC4 - SD and SDIO SDR25 in receiver and transmitter mode.

Table 5-149. Timing Requirements for MMC3 - SDR25 Mode ⁽¹⁾

| NO. | PARAMETER | DESCRIPTION | MIN | MAX | UNIT |
|--------|---------------------|---|-----|-----|------|
| SDR253 | $t_{su}(cmdV-clkH)$ | Setup time, mmc3_cmd valid before mmc3_clk rising clock edge | 5.3 | | ns |
| SDR254 | $t_h(clkH-cmdV)$ | Hold time, mmc3_cmd valid after mmc3_clk rising clock edge | 1.6 | | ns |
| SDR257 | $t_{su}(dV-clkH)$ | Setup time, mmc3_dat[i:0] valid before mmc3_clk rising clock edge | 5.3 | | ns |
| SDR258 | $t_h(clkH-dV)$ | Hold time, mmc3_dat[i:0] valid after mmc3_clk rising clock edge | 1.6 | | ns |

(1) i in [i:0] = 7

Table 5-150. Switching Characteristics for MMC3 - SDR25 Mode ⁽²⁾

| NO. | PARAMETER | DESCRIPTION | MIN | MAX | UNIT |
|----------|------------------|---|------------------------------|-----|------|
| SDR251 | fop(clk) | Operating frequency, mmc3_clk | | 48 | MHz |
| SDR252 H | $t_w(clkH)$ | Pulse duration, mmc3_clk high | 0.5 × P-0.270 ⁽¹⁾ | | ns |
| SDR252L | $t_w(clkL)$ | Pulse duration, mmc3_clk low | 0.5 × P-0.270 ⁽¹⁾ | | ns |
| SDR255 | $t_d(clkL-cmdV)$ | Delay time, mmc3_clk falling clock edge to mmc3_cmd transition | -8.8 | 6.6 | ns |
| SDR256 | $t_d(clkL-dV)$ | Delay time, mmc3_clk falling clock edge to mmc3_dat[i:0] transition | -8.8 | 6.6 | ns |

(1) P = output mmc3_clk period in ns

(2) i in [i:0] = 7

Table 5-151. Timing Requirements for MMC4 - SDR25 Mode ⁽¹⁾

| NO. | PARAMETER | DESCRIPTION | MIN | MAX | UNIT |
|--------|---------------------|---|-----|-----|------|
| SDR255 | $t_{su}(cmdV-clkH)$ | Setup time, mmc4_cmd valid before mmc4_clk rising clock edge | 5.3 | | ns |
| SDR256 | $t_h(clkH-cmdV)$ | Hold time, mmc4_cmd valid after mmc4_clk rising clock edge | 1.6 | | ns |
| SDR257 | $t_{su}(dV-clkH)$ | Setup time, mmc4_dat[i:0] valid before mmc4_clk rising clock edge | 5.3 | | ns |
| SDR258 | $t_h(clkH-dV)$ | Hold time, mmc4_dat[i:0] valid after mmc4_clk rising clock edge | 1.6 | | ns |

(1) i in [i:0] = 3

Table 5-152. Switching Characteristics for MMC4 - SDR25 Mode ⁽²⁾

| NO. | PARAMETER | DESCRIPTION | MIN | MAX | UNIT |
|----------|-------------|-------------------------------|------------------------------|-----|------|
| SDR251 | fop(clk) | Operating frequency, mmc4_clk | | 48 | MHz |
| SDR252 H | $t_w(clkH)$ | Pulse duration, mmc4_clk high | 0.5 × P-0.270 ⁽¹⁾ | | ns |

Table 5-152. Switching Characteristics for MMC4 - SDR25 Mode ⁽²⁾ (continued)

| NO. | PARAMETER | DESCRIPTION | MIN | MAX | UNIT |
|---------|---------------------------|---|---------------------------------------|-----|------|
| SDR252L | $t_{w(\text{clkL})}$ | Pulse duration, mmc4_clk low | $0.5 \times P - 0.270$ ⁽¹⁾ | | ns |
| SDR255 | $t_{d(\text{clkL-cmdV})}$ | Delay time, mmc4_clk falling clock edge to mmc4_cmd transition | -8.8 | 6.6 | ns |
| SDR256 | $t_{d(\text{clkL-dV})}$ | Delay time, mmc4_clk falling clock edge to mmc4_dat[i:0] transition | -8.8 | 6.6 | ns |

(1) P = output mmc4_clk period in ns

(2) i in [i:0] = 3

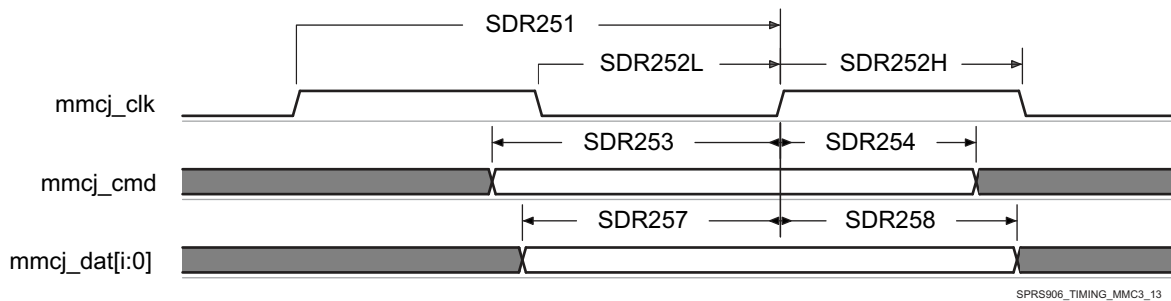


Figure 5-100. MMC/SD/SDIOj in - SDR25 - Receiver Mode

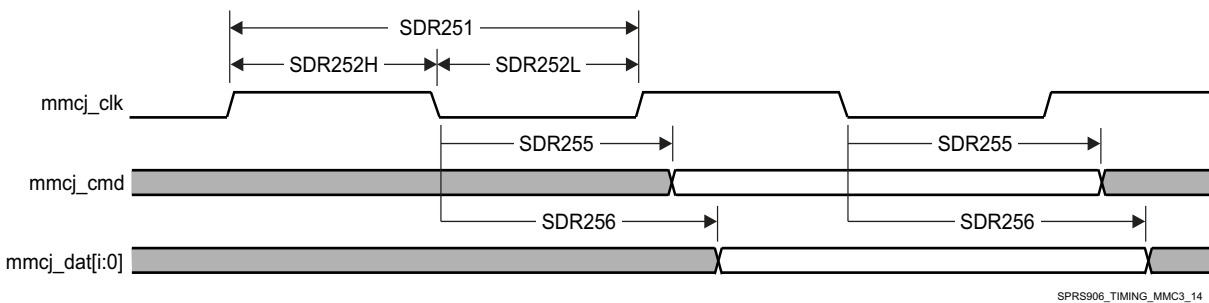


Figure 5-101. MMC/SD/SDIOj in - SDR25 - Transmitter Mode

5.10.6.20.3.5 MMC3 SDIO High-Speed UHS-I SDR50 Mode, Half Cycle

Figure 5-102, Figure 5-103, Table 5-153, and Table 5-154 present Timing requirements and Switching characteristics for MMC3 - SDIO High speed SDR50 in receiver and transmitter mode.

Table 5-153. Timing Requirements for MMC3 - SDR50 Mode ⁽¹⁾

| NO. | PARAMETER | DESCRIPTION | MIN | MAX | UNIT |
|--------|----------------------------|---|------|-----|------|
| SDR503 | $t_{su(\text{cmdV-clkH})}$ | Setup time, mmc3_cmd valid before mmc3_clk rising clock edge | 1.48 | | ns |
| SDR504 | $t_{h(\text{clkH-cmdV})}$ | Hold time, mmc3_cmd valid after mmc3_clk rising clock edge | 1.6 | | ns |
| SDR507 | $t_{su(\text{dV-clkH})}$ | Setup time, mmc3_dat[i:0] valid before mmc3_clk rising clock edge | 1.48 | | ns |
| SDR508 | $t_{h(\text{clkH-dV})}$ | Hold time, mmc3_dat[i:0] valid after mmc3_clk rising clock edge | 1.6 | | ns |

(1) i in [i:0] = 7

Table 5-154. Switching Characteristics for MMC3 - SDR50 Mode ⁽²⁾

| NO. | PARAMETER | DESCRIPTION | MIN | MAX | UNIT |
|----------|----------------------|-------------------------------|---------------------------------------|-----|------|
| SDR501 | fop(clk) | Operating frequency, mmc3_clk | | 64 | MHz |
| SDR502 H | $t_{w(\text{clkH})}$ | Pulse duration, mmc3_clk high | $0.5 \times P - 0.270$ ⁽¹⁾ | | ns |
| SDR502L | $t_{w(\text{clkL})}$ | Pulse duration, mmc3_clk low | $0.5 \times P - 0.270$ ⁽¹⁾ | | ns |

Table 5-154. Switching Characteristics for MMC3 - SDR50 Mode ⁽²⁾ (continued)

| NO. | PARAMETER | DESCRIPTION | MIN | MAX | UNIT |
|--------|---------------------------|---|-------|------|------|
| SDR505 | $t_{d(\text{clkL-cmdV})}$ | Delay time, mmc3_clk falling clock edge to mmc3_cmd transition | -3.66 | 1.46 | ns |
| SDR506 | $t_{d(\text{clkL-dV})}$ | Delay time, mmc3_clk falling clock edge to mmc3_dat[i:0] transition | -3.66 | 1.46 | ns |

(1) P = output mmc3_clk period in ns

(2) i in [i:0] = 7

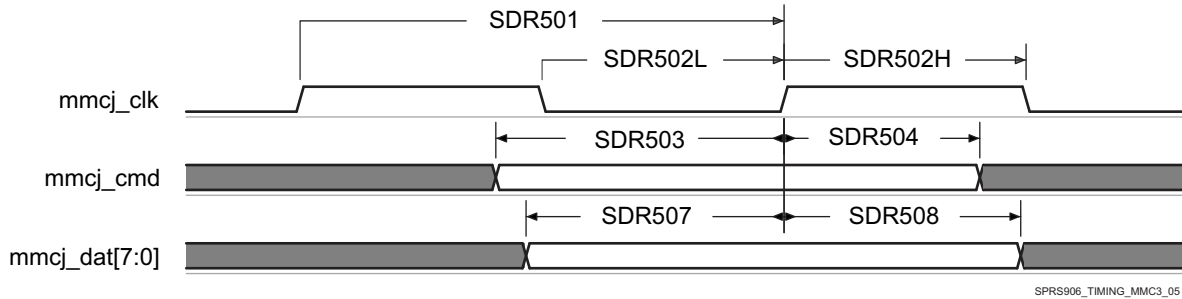


Figure 5-102. MMC/SD/SDIOj in - High Speed SDR50 - Receiver Mode

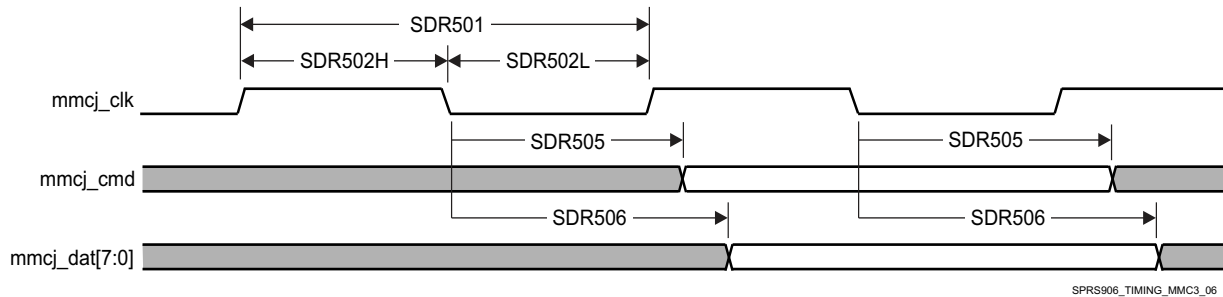


Figure 5-103. MMC/SD/SDIOj in - High Speed SDR50 - Transmitter Mode

NOTE

To configure the desired Manual IO Timing Mode the user must follow the steps described in section Manual IO Timing Modes of the Device TRM.

The associated registers to configure are listed in the **CFG REGISTER** column. For more information see the Control Module chapter in the Device TRM.

Manual IO Timings Modes must be used to ensure some IO timings for MMC3. See [Table 5-30 Modes Summary](#) for a list of IO timings requiring the use of Manual IO Timings Modes. See [Table 5-155 Manual Functions Mapping for MMC3](#) for a definition of the Manual modes.

[Table 5-155](#) lists the A_DELAY and G_DELAY values needed to calculate the correct values to be set in the CFG_x registers.

Table 5-155. Manual Functions Mapping for MMC3

| BALL | BALL NAME | MMC3_MANUAL1 | | CFG REGISTER | MUXMODE |
|------|-----------|--------------|--------------|------------------|-----------|
| | | A_DELAY (ps) | G_DELAY (ps) | | 0 |
| Y2 | mmc3_clk | 1085 | 21 | CFG_MMC3_CLK_IN | mmc3_clk |
| Y2 | mmc3_clk | 1269 | 0 | CFG_MMC3_CLK_OUT | mmc3_clk |
| Y1 | mmc3_cmd | 0 | 0 | CFG_MMC3_CMD_IN | mmc3_cmd |
| Y1 | mmc3_cmd | 128 | 0 | CFG_MMC3_CMD_OEN | mmc3_cmd |
| Y1 | mmc3_cmd | 98 | 0 | CFG_MMC3_CMD_OUT | mmc3_cmd |
| Y4 | mmc3_dat0 | 0 | 0 | CFG_MMC3_DAT0_IN | mmc3_dat0 |

Table 5-155. Manual Functions Mapping for MMC3 (continued)

| BALL | BALL NAME | MMC3_MANUAL1 | | CFG REGISTER | MUXMODE |
|------|-----------|--------------|--------------|-------------------|-----------|
| | | A_DELAY (ps) | G_DELAY (ps) | | 0 |
| Y4 | mmc3_dat0 | 362 | 0 | CFG_MMC3_DAT0_OEN | mmc3_dat0 |
| Y4 | mmc3_dat0 | 0 | 0 | CFG_MMC3_DAT0_OUT | mmc3_dat0 |
| AA2 | mmc3_dat1 | 7 | 0 | CFG_MMC3_DAT1_IN | mmc3_dat1 |
| AA2 | mmc3_dat1 | 333 | 0 | CFG_MMC3_DAT1_OEN | mmc3_dat1 |
| AA2 | mmc3_dat1 | 0 | 0 | CFG_MMC3_DAT1_OUT | mmc3_dat1 |
| AA3 | mmc3_dat2 | 0 | 0 | CFG_MMC3_DAT2_IN | mmc3_dat2 |
| AA3 | mmc3_dat2 | 402 | 0 | CFG_MMC3_DAT2_OEN | mmc3_dat2 |
| AA3 | mmc3_dat2 | 0 | 0 | CFG_MMC3_DAT2_OUT | mmc3_dat2 |
| W2 | mmc3_dat3 | 203 | 0 | CFG_MMC3_DAT3_IN | mmc3_dat3 |
| W2 | mmc3_dat3 | 549 | 0 | CFG_MMC3_DAT3_OEN | mmc3_dat3 |
| W2 | mmc3_dat3 | 1 | 0 | CFG_MMC3_DAT3_OUT | mmc3_dat3 |
| Y3 | mmc3_dat4 | 121 | 0 | CFG_MMC3_DAT4_IN | mmc3_dat4 |
| Y3 | mmc3_dat4 | 440 | 0 | CFG_MMC3_DAT4_OEN | mmc3_dat4 |
| Y3 | mmc3_dat4 | 206 | 0 | CFG_MMC3_DAT4_OUT | mmc3_dat4 |
| AA1 | mmc3_dat5 | 336 | 0 | CFG_MMC3_DAT5_IN | mmc3_dat5 |
| AA1 | mmc3_dat5 | 283 | 0 | CFG_MMC3_DAT5_OEN | mmc3_dat5 |
| AA1 | mmc3_dat5 | 174 | 0 | CFG_MMC3_DAT5_OUT | mmc3_dat5 |
| AA4 | mmc3_dat6 | 320 | 0 | CFG_MMC3_DAT6_IN | mmc3_dat6 |
| AA4 | mmc3_dat6 | 443 | 0 | CFG_MMC3_DAT6_OEN | mmc3_dat6 |
| AA4 | mmc3_dat6 | 0 | 0 | CFG_MMC3_DAT6_OUT | mmc3_dat6 |
| AB1 | mmc3_dat7 | 2 | 0 | CFG_MMC3_DAT7_IN | mmc3_dat7 |
| AB1 | mmc3_dat7 | 344 | 0 | CFG_MMC3_DAT7_OEN | mmc3_dat7 |
| AB1 | mmc3_dat7 | 0 | 0 | CFG_MMC3_DAT7_OUT | mmc3_dat7 |

NOTE

To configure the desired virtual mode the user must set MODESELECT bit and DELAYMODE bitfield for each corresponding pad control register.

The pad control registers are presented in [Table 4-31](#) and described in Device TRM, *Control Module Chapter*.

5.10.6.21 GPIO

The general-purpose interface combines eight general-purpose input/output (GPIO) banks. Each GPIO module provides up to 32 dedicated general-purpose pins with input and output capabilities; thus, the general-purpose interface supports up to 186 pins.

These pins can be configured for the following applications:

- Data input (capture)/output (drive)
- Keyboard interface with a debounce cell
- Interrupt generation in active mode upon the detection of external events. Detected events are processed by two parallel independent interrupt-generation submodules to support biprocessor operations
- Wake-up request generation in idle mode upon the detection of external events

NOTE

For more information, see the General-Purpose Interface chapter of the Device TRM.

NOTE

The general-purpose input/output i ($i = 1$ to 8) bank is also referred to as GPIO i .

5.10.6.22 PRU-ICSS

The device Programmable Real-Time Unit Subsystem and Industrial Communication Subsystem (PRU-ICSS) consists of dual 32-bit Load / Store RISC CPU cores - Programmable Real-Time Units (PRU0 and PRU1), shared, data, and instruction memories, internal peripheral modules, and an interrupt controller (PRU-ICSS_INTC). The programmable nature of the PRUs, along with their access to pins, events and all SoC resources, provides flexibility in implementing fast real-time responses, specialized data handling operations, customer peripheral interfaces, and in off-loading tasks from the other processor cores of the system-on-chip (SoC).

The each PRU-ICSS includes the following main features:

- 21x Enhanced GPIs (EGPIs) and 21x Enhanced GPOs (EGPOs) with asynchronous capture and serial support per each PRU CPU core
- One Ethernet MII_RT module (PRU-ICSS_MII_RT) with two MII ports and configurable connections to PRUs
- 1 MDIO Port (PRU-ICSS_MII_MDIO)
- One Industrial Ethernet Peripheral (IEP) to manage/generate Industrial Ethernet functions
- 1 x 16550-compatible UART with a dedicated 192 MHz clock to support 12Mbps Profibus
- 1 Industrial Ethernet timer with 7/9 capture and 8 compare events
- 1 Enhanced Capture Module (ECAP)
- 1 Interrupt Controller (PRU-ICSS_INTC)
- A flexible power management support
- Integrated switched central resource with programmable priority
- Parity control supported by all memories

CAUTION

The I/O timings provided in this section are valid only if signals within a single IOSET are used. The IOSETs are defined in the [Table 5-178](#) and [Table 5-179](#).

NOTE

For more information about PRU-ICSS subsystems interfaces, please see the Device TRM.

NOTE

To configure the desired virtual mode the user must set MODESELECT bit and DELAYMODE bitfield for each corresponding pad control register.

The pad control registers are presented in [Table 4-31](#) and described in Device TRM, *Control Module Chapter*.

5.10.6.22.1 Programmable Real-Time Unit (PRU-ICSS PRU)
5.10.6.22.1.1 PRU-ICSS PRU Direct Input/Output Mode Electrical Data and Timing

Table 5-156. PRU-ICSS PRU Timing Requirements - Direct Input Mode

| NO. | PARAMETER | DESCRIPTION | MIN | MAX | UNIT |
|-----|---------------|--------------------------------|------------------|-----|------|
| 1 | $t_{w(GPI)}$ | Pulse width, GPI | $2 \times P$ (1) | | ns |
| 2 | $t_{sk(GPI)}$ | Skew between GPI[20:0] signals | | 4.5 | ns |

(1) ICSS_CLK clock period

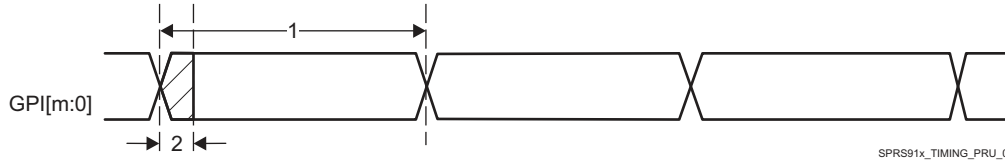


Figure 5-104. PRU-ICSS PRU Direct Input Timing

(1) m in GPI[m:0] = 20

Table 5-157. PRU-ICSS PRU Switching Requirements – Direct Output Mode

| NO. | PARAMETER | DESCRIPTION | MIN | MAX | UNIT |
|-----|---------------|--------------------------------|------------------|-----|------|
| 1 | $t_{w(GPO)}$ | Pulse width, GPO | $2 \times P$ (1) | | ns |
| 2 | $t_{sk(GPO)}$ | Skew between GPO[20:0] signals | | 4.5 | ns |

(1) ICSS_CLK clock period

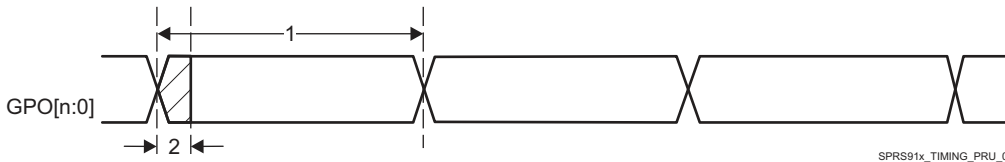


Figure 5-105. PRU-ICSS PRU Direct Output Timing

(1) n in GPO[n:0] = 20

5.10.6.22.1.2 PRU-ICSS PRU Parallel Capture Mode Electrical Data and Timing

Table 5-158. PRU-ICSS PRU Timing Requirements - Parallel Capture Mode

| NO. | PARAMETER | DESCRIPTION | MIN | MAX | UNIT |
|-----|--------------------------|---|-----|-----|------|
| 1 | $t_{w(CLOCKIN)}$ | Cycle time, CLOCKIN | 20 | | ns |
| 2 | $t_{w(CLOCKIN_L)}$ | Pulse duration, CLOCKIN low | 9 | 11 | ns |
| 3 | $t_{w(CLOCKIN_H)}$ | Pulse duration, CLOCKIN high | 9 | 11 | ns |
| 4 | $t_{su(DATAIN-CLOCKIN)}$ | Setup time, DATAIN valid before CLOCKIN | 4.5 | | ns |
| 5 | $t_{h(CLOCKIN-DATAIN)}$ | Hold time, DATAIN valid after CLOCKIN | 0 | | ns |

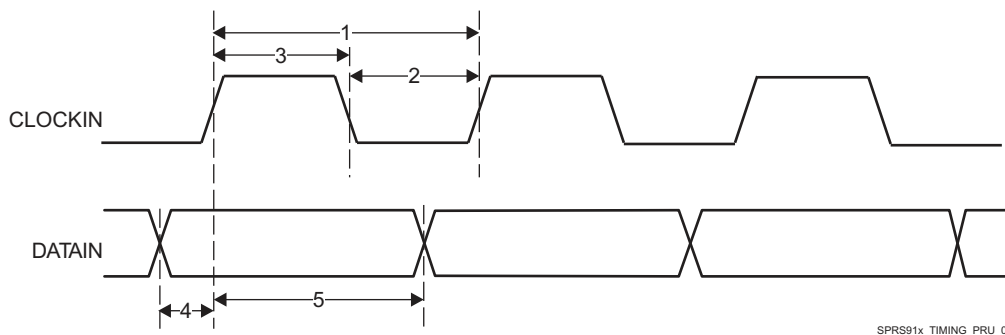


Figure 5-106. PRU-ICSS PRU Parallel Capture Timing - Rising Edge Mode

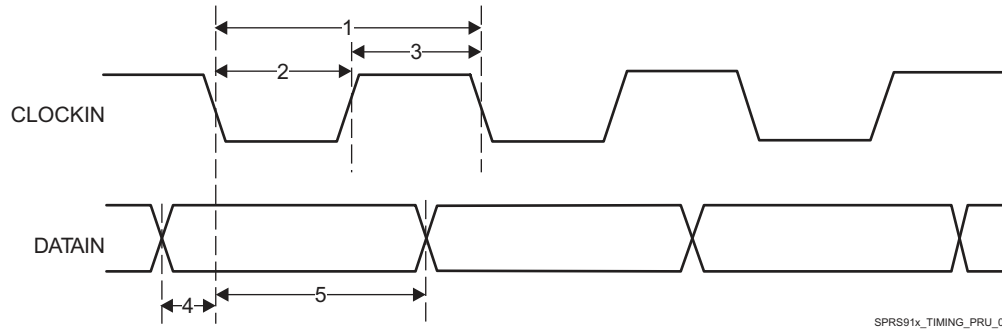


Figure 5-107. PRU-ICSS PRU Parallel Capture Timing - Falling Edge Mode

5.10.6.22.1.3 PRU-ICSS PRU Shift Mode Electrical Data and Timing

Table 5-159. PRU-ICSS PRU Timing Requirements – Shift In Mode

| NO. | PARAMETER | DESCRIPTION | MIN | MAX | UNIT |
|-----|-----------------|---------------------|------------------------|-----|------|
| 1 | $t_{c(DATAIN)}$ | Cycle time, DATAIN | 10.00 | | ns |
| 2 | $t_{w(DATAIN)}$ | Pulse width, DATAIN | $0.45 \times P$ (1) | | ns |

(1) P = 10.00ns

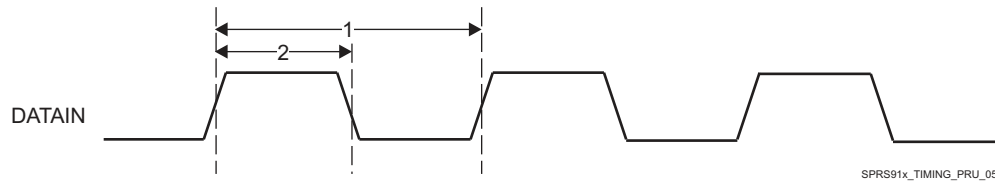


Figure 5-108. PRU-ICSS PRU Shift In Timing

Table 5-160. PRU-ICSS PRU Switching Requirements - Shift Out Mode

| NO. | PARAMETER | DESCRIPTION | MIN | MAX | UNIT |
|-----|---------------------------|---------------------------------------|------------------------|------|------|
| 1 | $t_{c(CLOCKOUT)}$ | Cycle time, CLOCKOUT | 10.00 | | ns |
| 2 | $t_{w(CLOCKOUT)}$ | Pulse width, CLOCKOUT | $0.45 \times P$ (1) | | ns |
| 3 | $t_{d(CLOCKOUT-DATAOUT)}$ | Delay time, CLOCKOUT to DATAOUT Valid | -3.00 | 3.60 | ns |

(1) P = 10.00ns

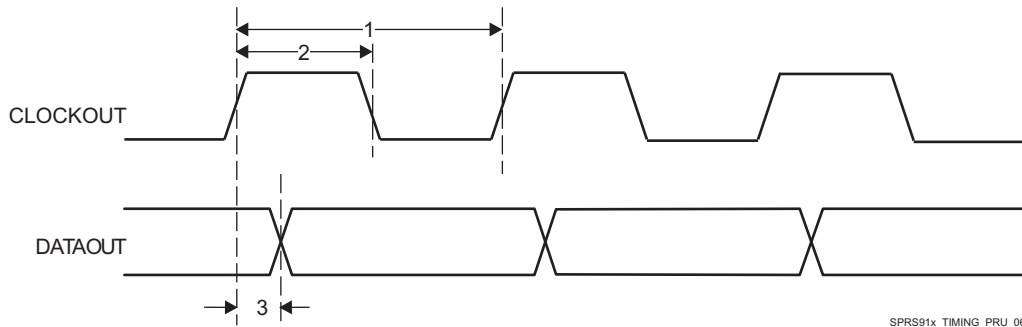


Figure 5-109. PRU-ICSS PRU Shift Out Timing

5.10.6.22.1.4 PRU-ICSS PRU Sigma Delta and EnDAT Modes

Table 5-161. PRU-ICSS PRU Timing Requirements - Sigma Delta Mode

| NO. | PARAMETER | DESCRIPTION | MIN | MAX | UNIT |
|-----|--------------------|--|-----|-----|------|
| 1 | tw(SDx_CLK) | Pulse width, SDx_CLK | 20 | | ns |
| 2 | tsu(SDx_D-SDx_CLK) | Setup time, SDx_D valid before SDx_CLK active edge | 10 | | ns |
| 3 | th(SDx_CLK-SDx_D) | Hold time, SDx_D valid before SDx_CLK active edge | 5 | | ns |

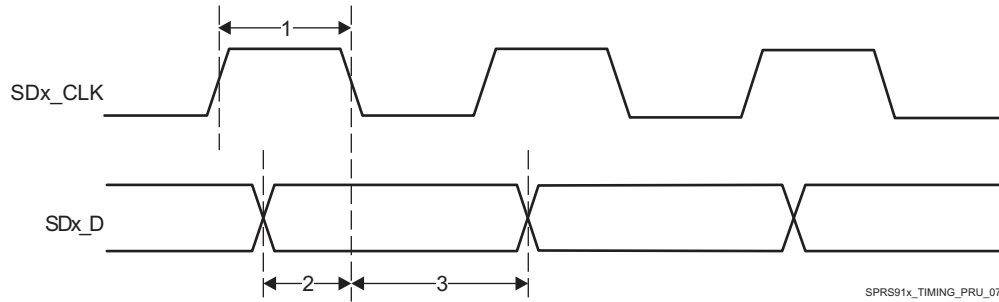


Figure 5-110. PRU-ICSS PRU SD_CLK Falling Active Edge

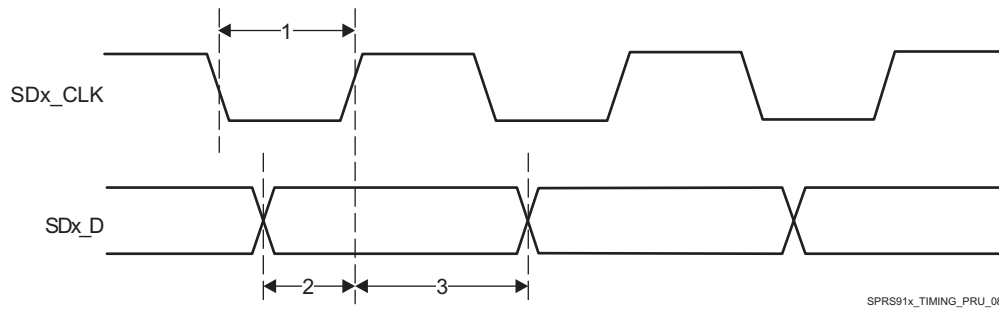


Figure 5-111. PRU-ICSS PRU SD_CLK Rising Active Edge

Table 5-162. PRU-ICSS PRU Timing Requirements - EnDAT Mode

| NO. | PARAMETER | DESCRIPTION | MIN | MAX | UNIT |
|-----|---------------|------------------------|-----|-----|------|
| 1 | tw(ENDATx_IN) | Pulse width, ENDATx_IN | 40 | | ns |

Table 5-163. PRU-ICSS PRU Switching Requirements - EnDAT Mode

| NO. | PARAMETER | DESCRIPTION | MIN | MAX | UNIT |
|-----|----------------------------------|--|-----|-----|------|
| 2 | tw(ENDATx_CLK) | Pulse width, ENDATx_CLK | 20 | | ns |
| 3 | td(ENDATx_OUT- ENDATx_CLK) | Delay time, ENDATx_CLK fall to ENDATx_OUT | -10 | 10 | ns |
| 4 | td(ENDATx_OUT_EN- ENDATx_CLK) | Delay time, ENDATx_CLK Fall to ENDATx_OUT_EN | -10 | 10 | ns |

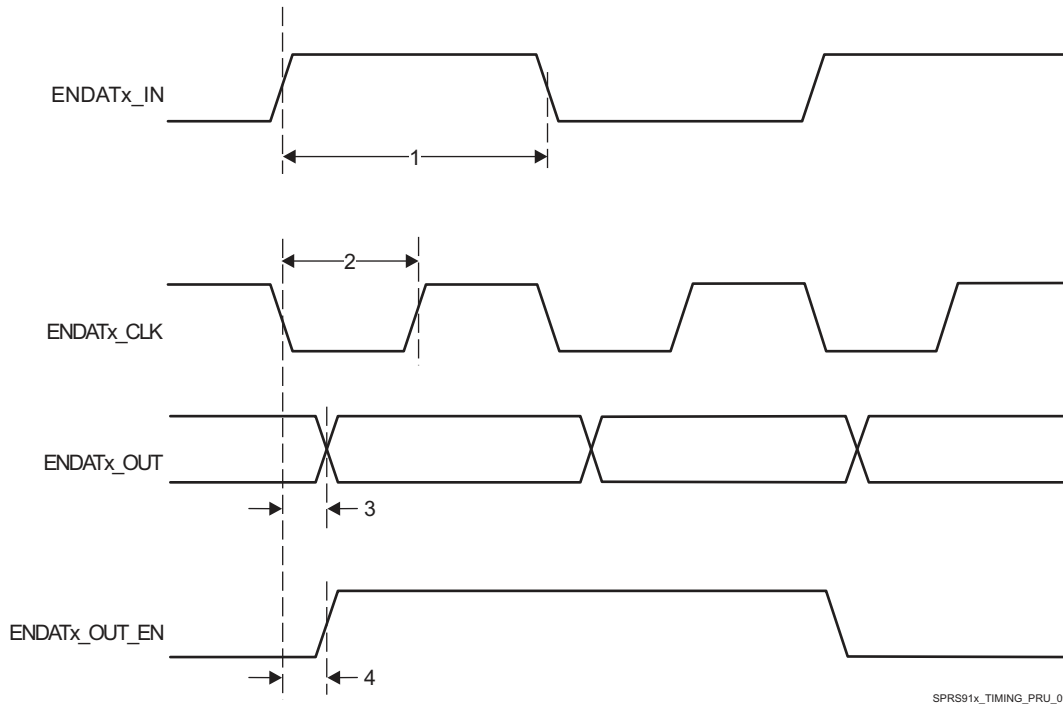


Figure 5-112. PRU-ICSS PRU EndAT Timing

5.10.6.22.2 PRU-ICSS EtherCAT (PRU-ICSS ECAT)

5.10.6.22.2.1 PRU-ICSS ECAT Electrical Data and Timing

Table 5-164. PRU-ICSS ECAT Timing Requirements – Input Validated With LATCH_IN

| NO. | PARAMETER | DESCRIPTION | MIN | MAX | UNIT |
|-----|---|---|--------|-----|------|
| 1 | $t_w(\text{EDIO_LATCH_IN})$ | Pulse width, EDIO_LATCH_IN | 100.00 | | ns |
| 2 | $t_{su}(\text{EDIO_DATA_IN-EDIO_LATCH_IN})$ | Setup time, EDIO_DATA_IN valid before EDIO_LATCH_IN active edge | 20.00 | | ns |
| 3 | $t_{h}(\text{EDIO_LATCH_IN-EDIO_DATA_IN})$ | Hold time, EDIO_DATA_IN valid after EDIO_LATCH_IN active edge | 20.00 | | ns |

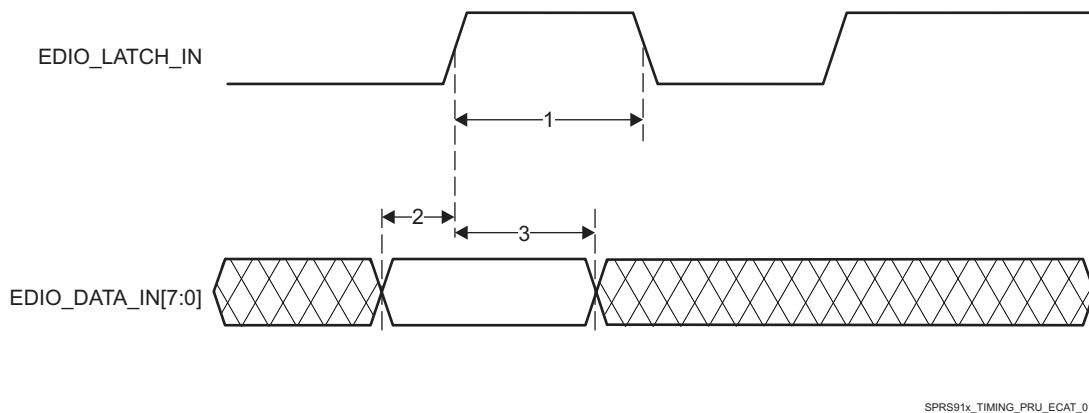
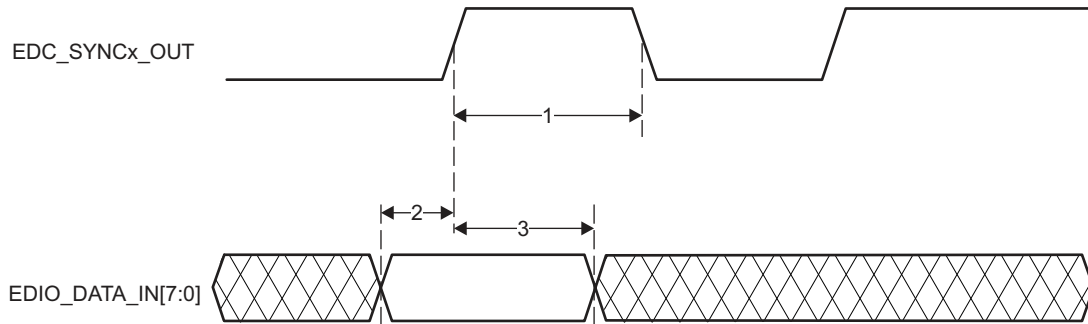


Figure 5-113. PRU-ICSS ECAT Input Validated with LATCH_IN Timing

Table 5-165. PRU-ICSS ECAT Timing Requirements – Input Validated With SYNCx

| NO. | PARAMETER | DESCRIPTION | MIN | MAX | UNIT |
|-----|---|---|--------|-----|------|
| 1 | $t_w(\text{EDC_SYNCx_OUT})$ | Pulse width, EDC_SYNCx_OUT | 100.00 | | ns |
| 2 | $t_{su}(\text{EDIO_DATA_IN-EDC_SYNCx_OUT})$ | Setup time, EDIO_DATA_IN valid before EDC_SYNCx_OUT active edge | 20.00 | | ns |
| 3 | $t_h(\text{EDC_SYNCx_OUT-EDIO_DATA_IN})$ | Hold time, EDIO_DATA_IN valid after EDC_SYNCx_OUT active edge | 20.00 | | ns |



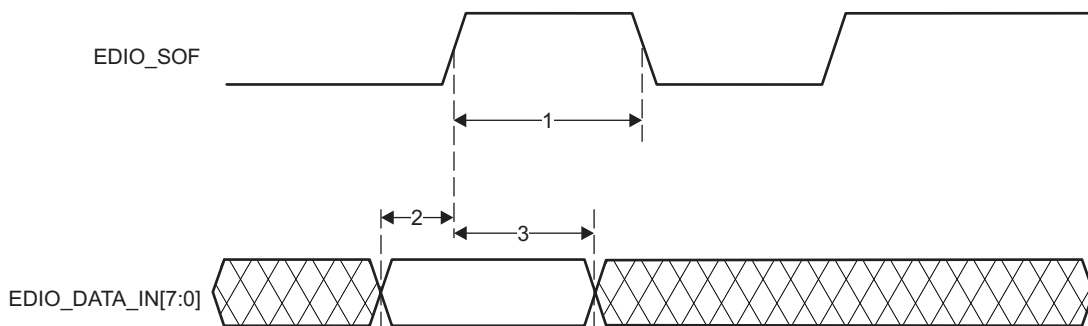
SPRS91x_TIMING_PRU_ECATA_02

Figure 5-114. PRU-ICSS ECAT Input Validated With SYNCx Timing

Table 5-166. PRU-ICSS ECAT Timing Requirements – Input Validated With Start of Frame (SOF)

| NO. | PARAMETER | DESCRIPTION | MIN | MAX | UNIT |
|-----|---|--|--------------------|--------------------|------|
| 1 | $t_w(\text{EDIO_SOF})$ | Pulse duration, EDIO_SOF | $4 \times P^{(1)}$ | $5 \times P^{(1)}$ | ns |
| 2 | $t_{su}(\text{EDIO_DATA_IN-EDIO_SOF})$ | Setup time, EDIO_DATA_IN valid before EDIO_SOF active edge | 20.00 | | ns |
| 3 | $t_h(\text{EDIO_SOF-EDIO_DATA_IN})$ | Hold time, EDIO_DATA_IN valid after EDIO_SOF active edge | 20.00 | | ns |

(1) ICSS_IEP_CLK clock period



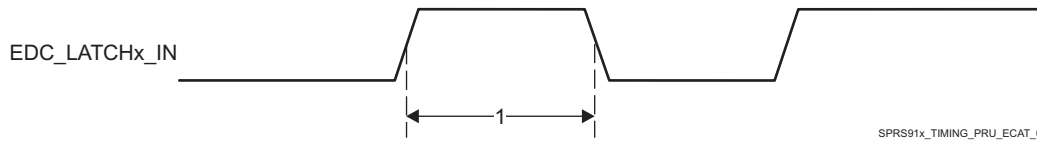
SPRS91x_TIMING_PRU_ECATA_03

Figure 5-115. PRU-ICSS ECAT Input Validated With SOF

Table 5-167. PRU-ICSS ECAT Timing Requirements - LATCHx_IN

| NO. | PARAMETER | DESCRIPTION | MIN | MAX | UNIT |
|-----|-------------------------------|-------------------------------|--------------------|-----|------|
| 1 | $t_w(\text{EDC_LATCHx_IN})$ | Pulse duration, EDC_LATCHx_IN | $3 \times P^{(1)}$ | | ns |

(1) ICSS_IEP_CLK clock period



SPRS91x_TIMING_PRU_ECATCH_04

Figure 5-116. PRU-ICSS ECAT LATCHx_IN Timing

Table 5-168. PRU-ICSS ECAT Switching Requirements - Digital IOs

| NO. | PARAMETER | DESCRIPTION | MIN | MAX | UNIT |
|-----|--|--|---------------------|---------------------|------|
| 1 | $t_w(\text{EDIO_OUTVALID})$ | Pulse duration, EDIO_OUTVALID | $14 \times P^{(1)}$ | $32 \times P^{(1)}$ | ns |
| 2 | $t_d(\text{EDIO_OUTVALID-EDIO_DATA_OUT})$ | Delay time, EDIO_OUTVALID to EDIO_DATA_OUT | 0.00 | $18 \times P^{(1)}$ | ns |
| 1 | $t_{sk}(\text{EDIO_DATA_OUT})$ | EDIO_DATA_OUT skew | | 8 | ns |

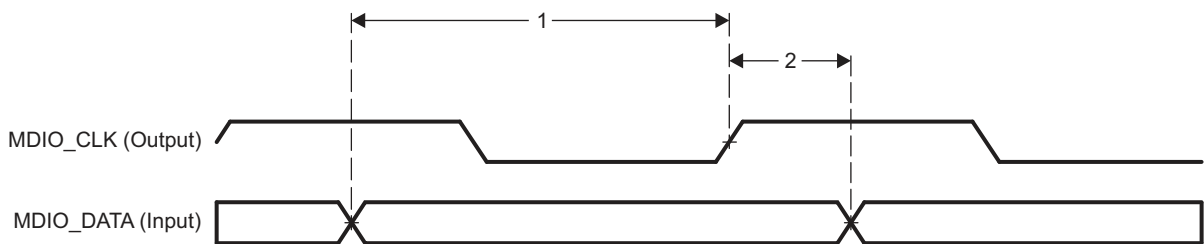
(1) ICSS_IEP_CLK clock period

5.10.6.22.3 PRU-ICSS MII_RT and Switch

5.10.6.22.3.1 PRU-ICSS MDIO Electrical Data and Timing

Table 5-169. PRU-ICSS MDIO Timing Requirements – MDIO_DATA

| NO. | PARAMETER | DESCRIPTION | MIN | MAX | UNIT |
|-----|---------------------------|--|-----|-----|------|
| 1 | $t_{su}(\text{MDIO-MDC})$ | Setup time, MDIO valid before MDC high | 90 | | ns |
| 2 | $t_h(\text{MDIO-MDC})$ | Hold time, MDIO valid from MDC high | 0 | | ns |



SPRS91x_TIMING_PRU_MII_RT_01

Figure 5-117. PRU-ICSS MDIO_DATA Timing - Input Mode

Table 5-170. PRU-ICSS MDIO Switching Characteristics - MDIO_CLK

| NO. | PARAMETER | DESCRIPTION | MIN | MAX | UNIT |
|-----|--------------------|--------------------------|-----|-----|------|
| 1 | $t_c(\text{MDC})$ | Cycle time, MDC | 400 | | ns |
| 2 | $t_w(\text{MDCH})$ | Pulse duration, MDC high | 160 | | ns |
| 3 | $t_w(\text{MDCL})$ | Pulse duration, MDC low | 160 | | ns |
| 4 | $t_t(\text{MDC})$ | Transition time, MDC | | 5 | ns |

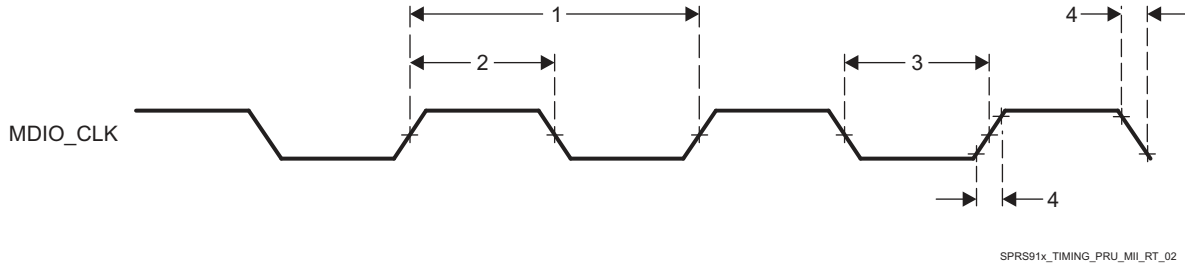


Figure 5-118. PRU-ICSS MDIO_CLK Timing

Table 5-171. PRU-ICSS MDIO Switching Characteristics – MDIO_DATA

| NO. | PARAMETER | DESCRIPTION | MIN | MAX | UNIT |
|-----|-------------------|------------------------------------|-----|-----|------|
| 1 | $t_{d(MDC-MDIO)}$ | Delay time, MDC high to MDIO valid | 0 | 390 | ns |

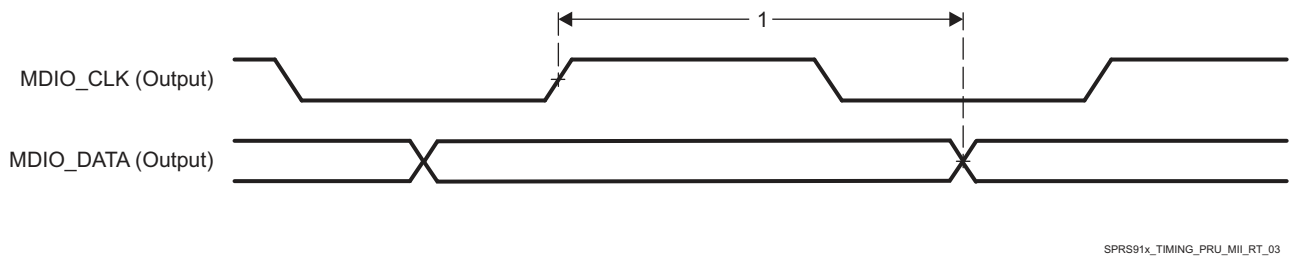


Figure 5-119. PRU-ICSS MDIO_DATA Timing – Output Mode

5.10.6.22.3.2 PRU-ICSS MII_RT Electrical Data and Timing

NOTE

In order to ensure the MII_RT IO timing values published in the device data manual, the ICSS_CLK clock must be configured for 200MHz (default value) and the TX_CLK_DELAY bitfield in the PRUSS_MII_RT_TXCFG0/1 register must be set to 6h (non-default value).

Table 5-172. PRU-ICSS MII_RT Timing Requirements – MII[x]_RXCLK

| NO. | PARAMETER | DESCRIPTION | SPEED | MIN | MAX | UNIT |
|-----|-------------------|-----------------------------|----------|--------|--------|------|
| 1 | $t_{c(RX_CLK)}$ | Cycle time, RX_CLK | 10 Mbps | 399.96 | 400.04 | ns |
| | | | 100 Mbps | 39.996 | 40.004 | ns |
| 2 | $t_{w(RX_CLKH)}$ | Pulse duration, RX_CLK high | 10 Mbps | 140 | 260 | ns |
| | | | 100 Mbps | 14 | 26 | ns |
| 3 | $t_{w(RX_CLKL)}$ | Pulse duration, RX_CLK low | 10 Mbps | 140 | 260 | ns |
| | | | 100 Mbps | 14 | 26 | ns |

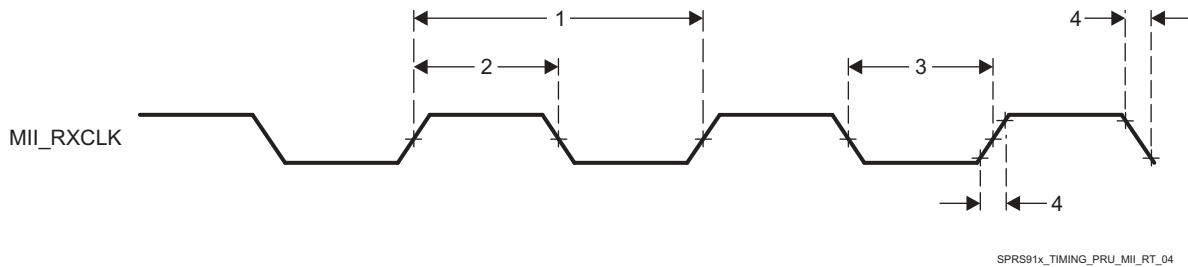
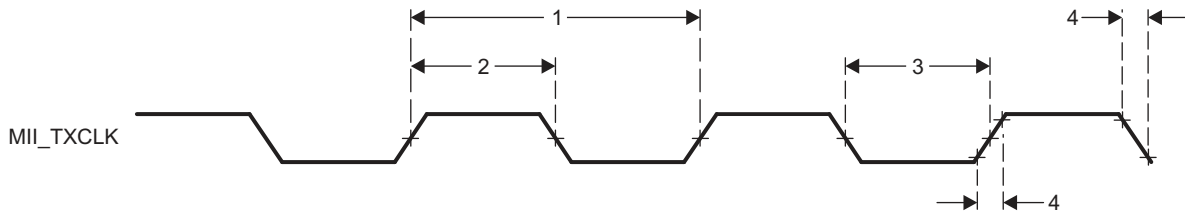


Figure 5-120. PRU-ICSS MII[x]_RXCLK Timing

Table 5-173. PRU-ICSS MII_RT Timing Requirements - MII[x]_TXCLK

| NO. | PARAMETER | DESCRIPTION | SPEED | MIN | MAX | UNIT |
|-----|-------------------|-----------------------------|----------|--------|--------|------|
| 1 | $t_{c(TX_CLK)}$ | Cycle time, TX_CLK | 10 Mbps | 399.96 | 400.04 | ns |
| | | | 100 Mbps | 39.996 | 40.004 | ns |
| 2 | $t_{w(TX_CLKH)}$ | Pulse duration, TX_CLK high | 10 Mbps | 140 | 260 | ns |
| | | | 100 Mbps | 14 | 26 | ns |
| 3 | $t_{w(TX_CLKL)}$ | Pulse duration, TX_CLK low | 10 Mbps | 140 | 260 | ns |
| | | | 100 Mbps | 14 | 26 | ns |
| 4 | $t_t(TX_CLK)$ | Transition time, TX_CLK | 10 Mbps | | 3 | ns |
| | | | 100 Mbps | | 3 | ns |

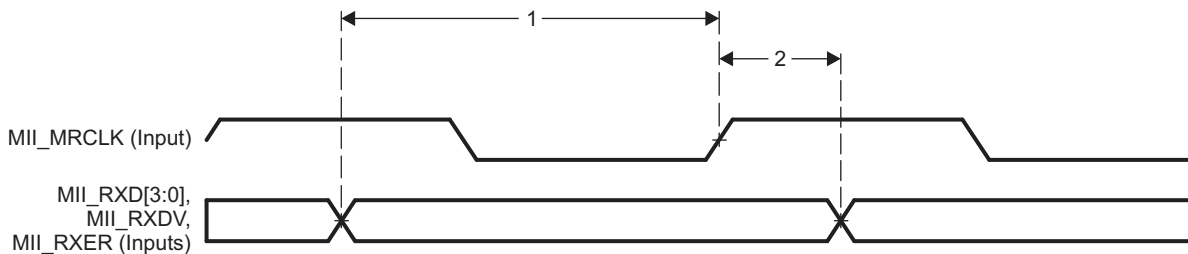


SPRS91x_TIMING_PRU_MII_RT_05

Figure 5-121. PRU-ICSS MII[x]_TXCLK Timing

Table 5-174. PRU-ICSS MII_RT Timing Requirements - MII_RXD[3:0], MII_RXDV, and MII_RXER

| NO. | PARAMETER | DESCRIPTION | SPEED | MIN | MAX | UNIT |
|-----|--------------------------|--|--|-----|-----|------|
| 1 | $t_{su(RXD-RX_CLK)}$ | Setup time, RXD[3:0] valid before RX_CLK | 10 Mbps | 8 | | ns |
| | $t_{su(RX_DV-RX_CLK)}$ | Setup time, RX_DV valid before RX_CLK | | | | |
| | $t_{su(RX_ER-RX_CLK)}$ | Setup time, RX_ER valid before RX_CLK | | | | |
| | 100 Mbps | $t_{su(RXD-RX_CLK)}$ | Setup time, RXD[3:0] valid before RX_CLK | 8 | | ns |
| | | $t_{su(RX_DV-RX_CLK)}$ | Setup time, RX_DV valid before RX_CLK | | | |
| | | $t_{su(RX_ER-RX_CLK)}$ | Setup time, RX_ER valid before RX_CLK | | | |
| 2 | $t_h(RX_CLK-RXD)$ | Hold time RXD[3:0] valid after RX_CLK | 10 Mbps | 8 | | ns |
| | $t_h(RX_CLK-RX_DV)$ | Hold time RX_DV valid after RX_CLK | | | | |
| | $t_h(RX_CLK-RX_ER)$ | Hold time RX_ER valid after RX_CLK | | | | |
| | 100 Mbps | $t_h(RX_CLK-RXD)$ | Hold time RXD[3:0] valid after RX_CLK | 8 | | ns |
| | | $t_h(RX_CLK-RX_DV)$ | Hold time RX_DV valid after RX_CLK | | | |
| | | $t_h(RX_CLK-RX_ER)$ | Hold time RX_ER valid after RX_CLK | | | |

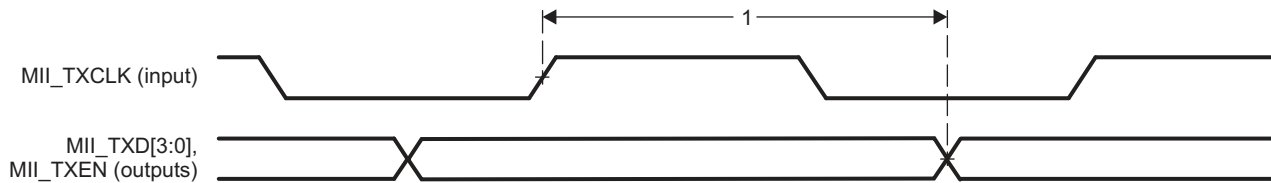


SPRS91x_TIMING_PRU_MII_RT_06

Figure 5-122. PRU-ICSS MII_RXD[3:0], MII_RXDV, and MII_RXER Timing

Table 5-175. PRU-ICSS MII_RT Switching Characteristics - MII_TXD[3:0] and MII_TXEN

| NO. | PARAMETER | DESCRIPTION | SPEED | MIN | MAX | UNIT |
|-----|-------------------------|---|----------|-----|-----|------|
| 1 | $t_{d(TX_CLK-TXD)}$ | Delay time, TX_CLK high to TXD[3:0] valid | 10 Mbps | 5 | 25 | ns |
| | $t_{d(TX_CLK-TX_EN)}$ | Delay time, TX_CLK to TX_EN valid | | | | |
| | $t_{d(TX_CLK-TXD)}$ | Delay time, TX_CLK high to TXD[3:0] valid | 100 Mbps | 5 | 25 | ns |
| | $t_{d(TX_CLK-TX_EN)}$ | Delay time, TX_CLK to TX_EN valid | | | | |



SPRS91x_TIMING_PRU_MII_RT_07

Figure 5-123. PRU-ICSS MII_TXD[3:0], MII_TXEN Timing

5.10.6.22.4 PRU-ICSS Universal Asynchronous Receiver Transmitter (PRU-ICSS UART)

Table 5-176. Timing Requirements for PRU-ICSS UART Receive

| NO. | PARAMETER | DESCRIPTION | MIN | MAX | UNIT |
|-----|-------------|---|----------------------|----------------------|------|
| 3 | $t_{w(RX)}$ | Pulse duration, receive start, stop, data bit | 0.96U ⁽¹⁾ | 1.05U ⁽¹⁾ | ns |

(1) U = UART baud time = 1/programmed baud rate.

Table 5-177. Switching Characteristics Over Recommended Operating Conditions for PRU-ICSS UART Transmit

| NO. | PARAMETER | DESCRIPTION | MIN | MAX | UNIT |
|-----|--------------------------------|--|----------------------|----------------------|------|
| 1 | $f_{\text{baud}}(\text{baud})$ | Maximum programmable baud rate | 0 | 12 | MHz |
| 2 | $t_{w(TX)}$ | Pulse duration, transmit start, stop, data bit | U - 2 ⁽¹⁾ | U + 2 ⁽¹⁾ | ns |

(1) U = UART baud time = 1/programmed baud rate.

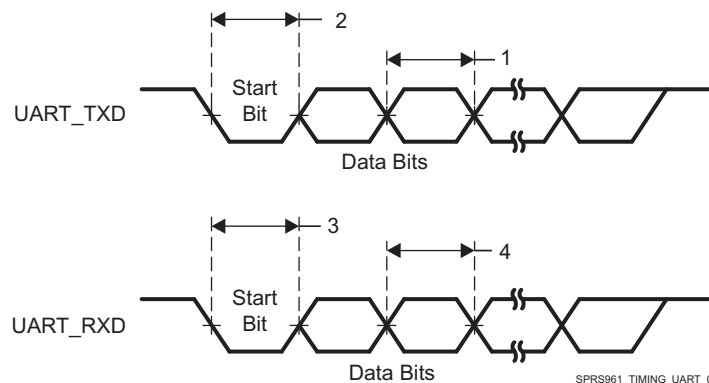


Figure 5-124. PRU-ICSS UART Timing

5.10.6.22.5 PRU-ICSS IOSETs

In [Table 5-178](#) are presented the specific groupings of signals (IOSET) for use with PRU-ICSS1.

Table 5-178. PRU-ICSS1 IOSETs

| SIGNALS | IOSET1 | | IOSET2 | |
|-------------------|--------|-----|--------|-----|
| | BALL | MUX | BALL | MUX |
| PRU-ICSS 1 | | | | |
| pr1_pru1_gpi20 | D13 | 12 | | |
| pr1_pru1_gpi19 | C13 | 12 | | |
| pr1_pru1_gpi18 | E13 | 12 | | |
| pr1_pru1_gpi17 | B13 | 12 | | |
| pr1_pru1_gpi16 | F11 | 12 | | |
| pr1_pru1_gpi15 | E11 | 12 | | |
| pr1_pru1_gpi14 | A13 | 12 | | |
| pr1_pru1_gpi13 | A12 | 12 | | |
| pr1_pru1_gpi12 | B12 | 12 | | |
| pr1_pru1_gpi11 | C11 | 12 | | |
| pr1_pru1_gpi10 | D11 | 12 | | |
| pr1_pru1_gpo20 | D13 | 13 | | |
| pr1_pru1_gpo19 | C13 | 13 | | |
| pr1_pru1_gpo18 | E13 | 13 | | |
| pr1_pru1_gpo17 | B13 | 13 | | |
| pr1_pru1_gpo16 | F11 | 13 | | |
| pr1_pru1_gpo15 | E11 | 13 | | |
| pr1_pru1_gpo14 | A13 | 13 | | |
| pr1_pru1_gpo13 | A12 | 13 | | |
| pr1_pru1_gpo12 | B12 | 13 | | |
| pr1_pru1_gpo11 | C11 | 13 | | |
| pr1_pru1_gpo10 | D11 | 13 | | |
| pr1_pru1_gpi9 | B11 | 12 | | |
| pr1_pru1_gpi8 | C10 | 12 | | |
| pr1_pru1_gpi7 | D10 | 12 | | |
| pr1_pru1_gpi6 | E10 | 12 | | |
| pr1_pru1_gpi5 | B10 | 12 | | |
| pr1_pru1_gpi4 | A10 | 12 | | |
| pr1_pru1_gpi3 | F10 | 12 | | |
| pr1_pru1_gpi2 | A11 | 12 | | |
| pr1_pru1_gpi1 | A8 | 12 | | |
| pr1_pru1_gpi0 | A9 | 12 | | |
| pr1_pru1_gpo9 | B11 | 13 | | |
| pr1_pru1_gpo8 | C10 | 13 | | |
| pr1_pru1_gpo7 | D10 | 13 | | |
| pr1_pru1_gpo6 | E10 | 13 | | |
| pr1_pru1_gpo5 | B10 | 13 | | |
| pr1_pru1_gpo4 | A10 | 13 | | |
| pr1_pru1_gpo3 | F10 | 13 | | |
| pr1_pru1_gpo2 | A11 | 13 | | |
| pr1_pru1_gpo1 | A8 | 13 | | |
| pr1_pru1_gpo0 | A9 | 13 | | |
| pr1_mii1_crs | D13 | 11 | | |
| pr1_mii1_rmlink | E13 | 11 | | |
| pr1_mii1_col | C13 | 11 | | |

Table 5-178. PRU-ICSS1 IOSETs (continued)

| SIGNALS | IOSET1 | | IOSET2 | |
|-----------------------------|--------|-----|--------|-----|
| | BALL | MUX | BALL | MUX |
| pr1_mii0_col | L5 | 11 | | |
| pr1_mii0_rmlink | L6 | 11 | | |
| pr1_mii0_crs | P4 | 11 | | |
| pr1_edio_data_out7 | | | A7 | 13 |
| pr1_edio_data_out6 | | | B9 | 13 |
| pr1_edio_data_out5 | | | C8 | 13 |
| pr1_edio_data_out4 | | | B8 | 13 |
| pr1_edio_data_out3 | | | E8 | 13 |
| pr1_edio_data_out2 | | | C7 | 13 |
| pr1_edio_data_out1 | | | B7 | 13 |
| pr1_edio_data_out0 | | | D8 | 13 |
| pr1_edio_data_in7 | | | A7 | 12 |
| pr1_edio_data_in6 | | | B9 | 12 |
| pr1_edio_data_in5 | | | C8 | 12 |
| pr1_edio_data_in4 | | | B8 | 12 |
| pr1_edio_data_in3 | | | E8 | 12 |
| pr1_edio_data_in2 | | | C7 | 12 |
| pr1_edio_data_in1 | | | B7 | 12 |
| pr1_edio_data_in0 | | | D8 | 12 |
| pr1_edio_sof | | | A11 | 11 |
| pr1_edc_latch0_in | | | A9 | 11 |
| pr1_edc_sync0_out | | | A8 | 11 |
| pr1_uart0_cts_n | E8 | 11 | | |
| pr1_uart0_rts_n | B8 | 11 | | |
| pr1_uart0_txd | B9 | 11 | | |
| pr1_uart0_rxd | C8 | 11 | | |
| pr1_ecap0_ecap_capin_apwm_o | A7 | 11 | | |
| PRU-ICSS 1 MII | | | | |
| pr1_mii1_txd3 | B10 | 11 | | |
| pr1_mii1_txd2 | E10 | 11 | | |
| pr1_mii1_txd1 | B11 | 11 | | |
| pr1_mii1_txd0 | D11 | 11 | | |
| pr1_mii1_rxd3 | A12 | 11 | | |
| pr1_mii1_rxd2 | A13 | 11 | | |
| pr1_mii1_rxd1 | E11 | 11 | | |
| pr1_mii1_rxd0 | F11 | 11 | | |
| pr1_mii1_rxdv | B12 | 11 | | |
| pr1_mii1_txen | A10 | 11 | | |
| pr1_mii1_rxer | B13 | 11 | | |
| pr1_mii_mr1_clk | C11 | 11 | | |
| pr1_mii_mt1_clk | F10 | 11 | | |
| pr1_mii0_txd3 | P2 | 11 | | |
| pr1_mii0_txd2 | N1 | 11 | | |
| pr1_mii0_txd1 | N3 | 11 | | |
| pr1_mii0_txd0 | N4 | 11 | | |
| pr1_mii0_rxd3 | T4 | 11 | | |

Table 5-178. PRU-ICSS1 IOSETs (continued)

| SIGNALS | IOSET1 | | IOSET2 | |
|-----------------|--------|-----|--------|-----|
| | BALL | MUX | BALL | MUX |
| pr1_mii0_rxd2 | T5 | 11 | | |
| pr1_mii0_rxd1 | R2 | 11 | | |
| pr1_mii0_rxd0 | R1 | 11 | | |
| pr1_mii0_rxdv | N5 | 11 | | |
| pr1_mii0_txen | P1 | 11 | | |
| pr1_mii0_rxer | P3 | 11 | | |
| pr1_mii_mt0_clk | N2 | 11 | | |
| pr1_mii_mr0_clk | N6 | 11 | | |
| pr1_mdio_mdclk | D10 | 11 | | |
| pr1_mdio_data | C10 | 11 | | |

In [Table 5-179](#), [Table 5-180](#) and [Table 5-181](#) are presented the specific groupings of signals (IOSET) for use with PRU-ICSS2.

Table 5-179. PRU-ICSS2 IOSETs

| SIGNALS | IOSET1 | | IOSET2 | |
|-------------------|--------|-----|--------|-----|
| | BALL | MUX | BALL | MUX |
| PRU-ICSS 2 | | | | |
| pr2_pru1_gpi16 | N4 | 12 | E16 | 12 |
| pr2_pru1_gpi15 | N3 | 12 | E17 | 12 |
| pr2_pru1_gpi14 | P1 | 12 | A19 | 12 |
| pr2_pru1_gpi13 | N1 | 12 | B18 | 12 |
| pr2_pru1_gpi12 | P2 | 12 | B16 | 12 |
| pr2_pru1_gpi11 | N2 | 12 | B17 | 12 |
| pr2_pru1_gpi10 | R1 | 12 | A18 | 12 |
| pr2_pru1_gpi9 | R2 | 12 | B14 | 12 |
| pr2_pru1_gpi8 | P3 | 12 | D14 | 12 |
| pr2_pru1_gpi7 | P4 | 12 | C16 | 12 |
| pr2_pru1_gpi6 | T5 | 12 | J24 | 12 |
| pr2_pru1_gpi5 | T4 | 12 | J25 | 12 |
| pr2_pru1_gpi4 | N6 | 12 | AC4 | 12 |
| pr2_pru1_gpi3 | N5 | 12 | AA5 | 12 |
| pr2_pru1_gpi2 | P5 | 12 | U6 | 12 |
| pr2_pru1_gpi1 | L6 | 12 | AC3 | 12 |
| pr2_pru1_gpi0 | L5 | 12 | D23 | 12 |
| pr2_pru1_gpo16 | N4 | 13 | E16 | 13 |
| pr2_pru1_gpo15 | N3 | 13 | E17 | 13 |
| pr2_pru1_gpo14 | P1 | 13 | A19 | 13 |
| pr2_pru1_gpo13 | N1 | 13 | B18 | 13 |
| pr2_pru1_gpo12 | P2 | 13 | B16 | 13 |
| pr2_pru1_gpo11 | N2 | 13 | B17 | 13 |
| pr2_pru1_gpo10 | R1 | 13 | A18 | 13 |
| pr2_pru1_gpo9 | R2 | 13 | B14 | 13 |
| pr2_pru1_gpo8 | P3 | 13 | D14 | 13 |
| pr2_pru1_gpo7 | P4 | 13 | C16 | 13 |
| pr2_pru1_gpo6 | T5 | 13 | J24 | 13 |

Table 5-179. PRU-ICSS2 IOSETs (continued)

| SIGNALS | IOSET1 | | IOSET2 | |
|----------------|--------|-----|--------|-----|
| | BALL | MUX | BALL | MUX |
| pr2_pru1_gpo5 | T4 | 13 | J25 | 13 |
| pr2_pru1_gpo4 | N6 | 13 | AC4 | 13 |
| pr2_pru1_gpo3 | N5 | 13 | AA5 | 13 |
| pr2_pru1_gpo2 | P5 | 13 | U6 | 13 |
| pr2_pru1_gpo1 | L6 | 13 | AC3 | 13 |
| pr2_pru1_gpo0 | L5 | 13 | D23 | 13 |
| pr2_pru0_gpi20 | | | F16 | 12 |
| pr2_pru0_gpi19 | | | D19 | 12 |
| pr2_pru0_gpi18 | | | E19 | 12 |
| pr2_pru0_gpi17 | | | B21 | 12 |
| pr2_pru0_gpi16 | | | A21 | 12 |
| pr2_pru0_gpi15 | | | B23 | 12 |
| pr2_pru0_gpi14 | | | B22 | 12 |
| pr2_pru0_gpi13 | | | A23 | 12 |
| pr2_pru0_gpi12 | | | A22 | 12 |
| pr2_pru0_gpi11 | | | AB1 | 12 |
| pr2_pru0_gpi10 | | | AA4 | 12 |
| pr2_pru0_gpi9 | | | AA1 | 12 |
| pr2_pru0_gpi8 | | | Y3 | 12 |
| pr2_pru0_gpi7 | | | W2 | 12 |
| pr2_pru0_gpi6 | | | AA3 | 12 |
| pr2_pru0_gpi5 | | | AA2 | 12 |
| pr2_pru0_gpi4 | | | Y4 | 12 |
| pr2_pru0_gpi3 | | | Y1 | 12 |
| pr2_pru0_gpi2 | | | Y2 | 12 |
| pr2_pru0_gpi1 | | | Y6 | 12 |
| pr2_pru0_gpi0 | | | Y5 | 12 |
| pr2_pru0_gpo20 | | | F16 | 13 |
| pr2_pru0_gpo19 | | | D19 | 13 |
| pr2_pru0_gpo18 | | | E19 | 13 |
| pr2_pru0_gpo17 | | | B21 | 13 |
| pr2_pru0_gpo16 | | | A21 | 13 |
| pr2_pru0_gpo15 | | | B23 | 13 |
| pr2_pru0_gpo14 | | | B22 | 13 |
| pr2_pru0_gpo13 | | | A23 | 13 |
| pr2_pru0_gpo12 | | | A22 | 13 |
| pr2_pru0_gpo11 | | | AB1 | 13 |
| pr2_pru0_gpo10 | | | AA4 | 13 |
| pr2_pru0_gpo9 | | | AA1 | 13 |
| pr2_pru0_gpo8 | | | Y3 | 13 |
| pr2_pru0_gpo7 | | | W2 | 13 |
| pr2_pru0_gpo6 | | | AA3 | 13 |
| pr2_pru0_gpo5 | | | AA2 | 13 |
| pr2_pru0_gpo4 | | | Y4 | 13 |
| pr2_pru0_gpo3 | | | Y1 | 13 |
| pr2_pru0_gpo2 | | | Y2 | 13 |

Table 5-179. PRU-ICSS2 IOSETs (continued)

| SIGNALS | IOSET1 | | IOSET2 | |
|-----------------------|--------|-----|--------|-----|
| | BALL | MUX | BALL | MUX |
| pr2_pru0_gpo1 | | | Y6 | 13 |
| pr2_pru0_gpo0 | | | Y5 | 13 |
| pr2_mii1_crs | J24 | 11 | | |
| pr2_mii1_rxlink | B23 | 11 | | |
| pr2_mii0_crs | A22 | 11 | | |
| pr2_mii0_rxlink | B21 | 11 | | |
| pr2_mii0_col | A23 | 11 | | |
| pr2_mii1_col | J25 | 11 | | |
| PRU-ICSS 2 MII | | | | |
| pr2_mii1_txd3 | Y2 | 11 | | |
| pr2_mii1_txd2 | Y1 | 11 | | |
| pr2_mii1_txd1 | Y4 | 11 | | |
| pr2_mii1_txd0 | AA2 | 11 | | |
| pr2_mii1_rxd3 | Y3 | 11 | | |
| pr2_mii1_rxd2 | AA1 | 11 | | |
| pr2_mii1_rxd1 | AA4 | 11 | | |
| pr2_mii1_rxd0 | AB1 | 11 | | |
| pr2_mii_mr1_clk | AA3 | 11 | | |
| pr2_mii1_rxer | B22 | 11 | | |
| pr2_mii_mt1_clk | Y5 | 11 | | |
| pr2_mii1_rxdv | W2 | 11 | | |
| pr2_mii1_txen | Y6 | 11 | | |
| pr2_mii0_txd3 | B17 | 11 | | |
| pr2_mii0_txd2 | B16 | 11 | | |
| pr2_mii0_txd1 | B18 | 11 | | |
| pr2_mii0_txd0 | A19 | 11 | | |
| pr2_mii0_rxd3 | F16 | 11 | | |
| pr2_mii0_rxd2 | E19 | 11 | | |
| pr2_mii0_rxd1 | D19 | 11 | | |
| pr2_mii0_rxd0 | A21 | 11 | | |
| pr2_mii_mr0_clk | E17 | 11 | | |
| pr2_mii0_rxer | D14 | 11 | | |
| pr2_mii_mt0_clk | B14 | 11 | | |
| pr2_mii0_rxdv | E16 | 11 | | |
| pr2_mii0_txen | A18 | 11 | | |
| pr2_mdio_mdclk | C16 | 11 | AA5 | 11 |
| pr2_mdio_data | C17 | 11 | AC4 | 11 |

Table 5-180. PRU-ICSS2 IOSETs (EnDAT)⁽¹⁾

| SIGNALS | IOSET3 | | IOSET4 | |
|-------------------------|--------|-----|--------|-----|
| | BALL | MUX | BALL | MUX |
| PRU-ICSS 2 EnDAT | | | | |
| pr2_pru1_endat0_clk | L5 | 13 | D23 | 13 |
| pr2_pru1_endat0_out | L6 | 13 | AC3 | 13 |
| pr2_pru1_endat0_out_en | P5 | 13 | U6 | 13 |
| pr2_pru1_endat1_clk | N5 | 13 | AA5 | 13 |

Table 5-180. PRU-ICSS2 IOSETs (EnDAT)⁽¹⁾ (continued)

| SIGNALS | IOSET3 | | IOSET4 | |
|------------------------|--------|-----|--------|-----|
| | BALL | MUX | BALL | MUX |
| pr2_pru1_endat1_out | N6 | 13 | AC4 | 13 |
| pr2_pru1_endat1_out_en | T4 | 13 | J25 | 13 |
| pr2_pru1_endat2_clk | T5 | 13 | J24 | 13 |
| pr2_pru1_endat2_out | P4 | 13 | C16 | 13 |
| pr2_pru1_endat2_out_en | P3 | 13 | D14 | 13 |
| pr2_pru1_endat0_in | R2 | 12 | B14 | 12 |
| pr2_pru1_endat1_in | R1 | 12 | A18 | 12 |
| pr2_pru1_endat2_in | N2 | 12 | B17 | 12 |

(1) These signals are internally muxed with the PRU GPI/GPO signals. Refer to the PRU chapter in the TRM for more details about the PRU-ICSS internal wrapper multiplexing.

Table 5-181. PRU-ICSS2 IOSETs (Sigma Delta)⁽¹⁾

| SIGNALS | IOSET4 | |
|----------------------|--------|-----|
| | BALL | MUX |
| PRU-ICSS 2 SD | | |
| pr2_pru0_sd0_clk | Y5 | 12 |
| pr2_pru0_sd0_d | Y6 | 12 |
| pr2_pru0_sd1_clk | Y2 | 12 |
| pr2_pru0_sd1_d | Y1 | 12 |
| pr2_pru0_sd2_clk | Y4 | 12 |
| pr2_pru0_sd2_d | AA2 | 12 |
| pr2_pru0_sd3_clk | AA3 | 12 |
| pr2_pru0_sd3_d | W2 | 12 |
| pr2_pru0_sd4_clk | Y3 | 12 |
| pr2_pru0_sd4_d | AA1 | 12 |
| pr2_pru0_sd5_clk | AA4 | 12 |
| pr2_pru0_sd5_d | AB1 | 12 |
| pr2_pru0_sd6_clk | A22 | 12 |
| pr2_pru0_sd6_d | A23 | 12 |
| pr2_pru0_sd7_clk | B22 | 12 |
| pr2_pru0_sd7_d | B23 | 12 |
| pr2_pru0_sd8_clk | A21 | 12 |
| pr2_pru0_sd8_d | B21 | 12 |

(1) These signals are internally muxed with the PRU GPI/GPO signals. Refer to the PRU chapter in the TRM for more details about the PRU-ICSS internal wrapper multiplexing.

5.10.6.22.6 PRU-ICSS Manual Functional Mapping

NOTE

To configure the desired Manual IO Timing Mode the user must follow the steps described in section "Manual IO Timing Modes" of the Device TRM.

The associated registers to configure are listed in the **CFG REGISTER** column. For more information see the *Control Module Chapter* in the Device TRM.

Manual IO Timings Modes must be used to ensure some IO timings for PRU-ICSS1 PRU1 Direct Input mode. See [Table 5-30 Modes Summary](#) for a list of IO timings requiring the use of Manual IO Timings Modes. See [Table 5-182 Manual Functions Mapping for PRU-ICSS1 PRU1 Direct Input mode](#) for a definition of the Manual modes.

Table 5-182 lists the A_DELAY and G_DELAY values needed to calculate the correct values to be set in the CFG_x registers.

Table 5-182. Manual Functions Mapping for PRU-ICSS1 PRU1 Direct Input mode

| BALL | BALL NAME | PR1_PRU1_DIR_IN_MANUAL | | CFG REGISTER | MUXMODE |
|------|-----------|------------------------|--------------|------------------|----------------|
| | | A_DELAY (ps) | G_DELAY (ps) | | |
| D10 | vin2a_d10 | 0 | 800 | CFG_VIN2A_D10_IN | pr1_pru1_gpi7 |
| C10 | vin2a_d11 | 0 | 0 | CFG_VIN2A_D11_IN | pr1_pru1_gpi8 |
| B11 | vin2a_d12 | 0 | 200 | CFG_VIN2A_D12_IN | pr1_pru1_gpi9 |
| D11 | vin2a_d13 | 0 | 0 | CFG_VIN2A_D13_IN | pr1_pru1_gpi10 |
| C11 | vin2a_d14 | 0 | 0 | CFG_VIN2A_D14_IN | pr1_pru1_gpi11 |
| B12 | vin2a_d15 | 0 | 400 | CFG_VIN2A_D15_IN | pr1_pru1_gpi12 |
| A12 | vin2a_d16 | 0 | 300 | CFG_VIN2A_D16_IN | pr1_pru1_gpi13 |
| A13 | vin2a_d17 | 0 | 400 | CFG_VIN2A_D17_IN | pr1_pru1_gpi14 |
| E11 | vin2a_d18 | 0 | 900 | CFG_VIN2A_D18_IN | pr1_pru1_gpi15 |
| F11 | vin2a_d19 | 0 | 1500 | CFG_VIN2A_D19_IN | pr1_pru1_gpi16 |
| B13 | vin2a_d20 | 0 | 100 | CFG_VIN2A_D20_IN | pr1_pru1_gpi17 |
| E13 | vin2a_d21 | 0 | 500 | CFG_VIN2A_D21_IN | pr1_pru1_gpi18 |
| C13 | vin2a_d22 | 0 | 500 | CFG_VIN2A_D22_IN | pr1_pru1_gpi19 |
| D13 | vin2a_d23 | 0 | 600 | CFG_VIN2A_D23_IN | pr1_pru1_gpi20 |
| A9 | vin2a_d3 | 0 | 900 | CFG_VIN2A_D3_IN | pr1_pru1_gpi0 |
| A8 | vin2a_d4 | 0 | 100 | CFG_VIN2A_D4_IN | pr1_pru1_gpi1 |
| A11 | vin2a_d5 | 0 | 600 | CFG_VIN2A_D5_IN | pr1_pru1_gpi2 |
| F10 | vin2a_d6 | 0 | 200 | CFG_VIN2A_D6_IN | pr1_pru1_gpi3 |
| A10 | vin2a_d7 | 0 | 400 | CFG_VIN2A_D7_IN | pr1_pru1_gpi4 |
| B10 | vin2a_d8 | 0 | 500 | CFG_VIN2A_D8_IN | pr1_pru1_gpi5 |
| E10 | vin2a_d9 | 0 | 600 | CFG_VIN2A_D9_IN | pr1_pru1_gpi6 |

Manual IO Timings Modes must be used to ensure some IO timings for PRU-ICSS1 PRU1 Direct Output mode. See Table 5-30 Modes Summary for a list of IO timings requiring the use of Manual IO Timings Modes. See Table 5-183 Manual Functions Mapping for PRU-ICSS1 PRU1 Direct Output mode for a definition of the Manual modes.

Table 5-183 lists the A_DELAY and G_DELAY values needed to calculate the correct values to be set in the CFG_x registers.

Table 5-183. Manual Functions Mapping for PRU-ICSS1 PRU1 Direct Output mode

| BALL | BALL NAME | PR1_PRU1_DIR_OUT_MANUAL | | CFG REGISTER | MUXMODE |
|------|-----------|-------------------------|--------------|-------------------|----------------|
| | | A_DELAY (ps) | G_DELAY (ps) | | |
| D10 | vin2a_d10 | 0 | 1000 | CFG_VIN2A_D10_OUT | pr1_pru1_gpo7 |
| C10 | vin2a_d11 | 0 | 1300 | CFG_VIN2A_D11_OUT | pr1_pru1_gpo8 |
| B11 | vin2a_d12 | 0 | 2300 | CFG_VIN2A_D12_OUT | pr1_pru1_gpo9 |
| D11 | vin2a_d13 | 0 | 2200 | CFG_VIN2A_D13_OUT | pr1_pru1_gpo10 |
| C11 | vin2a_d14 | 0 | 1800 | CFG_VIN2A_D14_OUT | pr1_pru1_gpo11 |
| B12 | vin2a_d15 | 0 | 1800 | CFG_VIN2A_D15_OUT | pr1_pru1_gpo12 |
| A12 | vin2a_d16 | 0 | 1600 | CFG_VIN2A_D16_OUT | pr1_pru1_gpo13 |
| A13 | vin2a_d17 | 0 | 2000 | CFG_VIN2A_D17_OUT | pr1_pru1_gpo14 |
| E11 | vin2a_d18 | 0 | 700 | CFG_VIN2A_D18_OUT | pr1_pru1_gpo15 |
| F11 | vin2a_d19 | 0 | 700 | CFG_VIN2A_D19_OUT | pr1_pru1_gpo16 |
| B13 | vin2a_d20 | 0 | 500 | CFG_VIN2A_D20_OUT | pr1_pru1_gpo17 |
| E13 | vin2a_d21 | 0 | 400 | CFG_VIN2A_D21_OUT | pr1_pru1_gpo18 |

Table 5-183. Manual Functions Mapping for PRU-ICSS1 PRU1 Direct Output mode (continued)

| BALL | BALL NAME | PR1_PRU1_DIR_OUT_MANUAL | | CFG REGISTER | MUXMODE |
|------|-----------|-------------------------|--------------|-------------------|----------------|
| | | A_DELAY (ps) | G_DELAY (ps) | | 13 |
| C13 | vin2a_d22 | 0 | 0 | CFG_VIN2A_D22_OUT | pr1_pru1_gpo19 |
| D13 | vin2a_d23 | 0 | 400 | CFG_VIN2A_D23_OUT | pr1_pru1_gpo20 |
| A9 | vin2a_d3 | 0 | 2200 | CFG_VIN2A_D3_OUT | pr1_pru1_gpo0 |
| A8 | vin2a_d4 | 540 | 2800 | CFG_VIN2A_D4_OUT | pr1_pru1_gpo1 |
| A11 | vin2a_d5 | 0 | 400 | CFG_VIN2A_D5_OUT | pr1_pru1_gpo2 |
| F10 | vin2a_d6 | 0 | 1500 | CFG_VIN2A_D6_OUT | pr1_pru1_gpo3 |
| A10 | vin2a_d7 | 0 | 2200 | CFG_VIN2A_D7_OUT | pr1_pru1_gpo4 |
| B10 | vin2a_d8 | 0 | 2600 | CFG_VIN2A_D8_OUT | pr1_pru1_gpo5 |
| E10 | vin2a_d9 | 0 | 2300 | CFG_VIN2A_D9_OUT | pr1_pru1_gpo6 |

Manual IO Timings Modes must be used to ensure some IO timings for PRU-ICSS1 PRU1 Parallel Capture Mode. See [Table 5-30 Modes Summary](#) for a list of IO timings requiring the use of Manual IO Timings Modes. See [Table 5-184 Manual Functions Mapping for PRU-ICSS1 PRU1 Parallel Capture Mode](#) for a definition of the Manual modes.

[Table 5-184](#) lists the A_DELAY and G_DELAY values needed to calculate the correct values to be set in the CFG_x registers.

Table 5-184. Manual Functions Mapping for PRU-ICSS1 PRU1 Parallel Capture Mode

| BALL | BALL NAME | PR1_PRU1_PAR_CAP_MANUAL | | CFG REGISTER | MUXMODE |
|------|-----------|-------------------------|--------------|------------------|----------------|
| | | A_DELAY (ps) | G_DELAY (ps) | | 12 |
| D10 | vin2a_d10 | 1535 | 0 | CFG_VIN2A_D10_IN | pr1_pru1_gpi7 |
| C10 | vin2a_d11 | 1151 | 0 | CFG_VIN2A_D11_IN | pr1_pru1_gpi8 |
| B11 | vin2a_d12 | 1173 | 0 | CFG_VIN2A_D12_IN | pr1_pru1_gpi9 |
| D11 | vin2a_d13 | 970 | 0 | CFG_VIN2A_D13_IN | pr1_pru1_gpi10 |
| C11 | vin2a_d14 | 1196 | 0 | CFG_VIN2A_D14_IN | pr1_pru1_gpi11 |
| B12 | vin2a_d15 | 1286 | 0 | CFG_VIN2A_D15_IN | pr1_pru1_gpi12 |
| A12 | vin2a_d16 | 1354 | 0 | CFG_VIN2A_D16_IN | pr1_pru1_gpi13 |
| A13 | vin2a_d17 | 1331 | 0 | CFG_VIN2A_D17_IN | pr1_pru1_gpi14 |
| E11 | vin2a_d18 | 2097 | 0 | CFG_VIN2A_D18_IN | pr1_pru1_gpi15 |
| F11 | vin2a_d19 | 0 | 453 | CFG_VIN2A_D19_IN | pr1_pru1_gpi16 |
| A9 | vin2a_d3 | 1566 | 0 | CFG_VIN2A_D3_IN | pr1_pru1_gpi0 |
| A8 | vin2a_d4 | 1012 | 0 | CFG_VIN2A_D4_IN | pr1_pru1_gpi1 |
| A11 | vin2a_d5 | 1337 | 0 | CFG_VIN2A_D5_IN | pr1_pru1_gpi2 |
| F10 | vin2a_d6 | 1130 | 0 | CFG_VIN2A_D6_IN | pr1_pru1_gpi3 |
| A10 | vin2a_d7 | 1202 | 0 | CFG_VIN2A_D7_IN | pr1_pru1_gpi4 |
| B10 | vin2a_d8 | 1395 | 0 | CFG_VIN2A_D8_IN | pr1_pru1_gpi5 |
| E10 | vin2a_d9 | 1338 | 0 | CFG_VIN2A_D9_IN | pr1_pru1_gpi6 |

Manual IO Timings Modes must be used to ensure some IO timings for PRU-ICSS2 PRU0 IOSET2 Direct Input mode. See [Table 5-30 Modes Summary](#) for a list of IO timings requiring the use of Manual IO Timings Modes. See [Table 5-185 Manual Functions Mapping for PRU-ICSS2 PRU0 IOSET2 Direct Input mode](#) for a definition of the Manual modes.

[Table 5-185](#) lists the A_DELAY and G_DELAY values needed to calculate the correct values to be set in the CFG_x registers.

Table 5-185. Manual Functions Mapping for PRU-ICSS2 PRU0 IOSET2 Direct Input mode

| BALL | BALL NAME | PR2_PRU0_DIR_IN_MANUAL2 | | CFG REGISTER | MUXMODE |
|------|--------------|-------------------------|--------------|---------------------|----------------|
| | | A_DELAY (ps) | G_DELAY (ps) | | 12 |
| Y5 | gpio6_10 | 1000 | 3300 | CFG_GPIO6_10_IN | pr2_pru0_gpi0 |
| Y6 | gpio6_11 | 1000 | 3400 | CFG_GPIO6_11_IN | pr2_pru0_gpi1 |
| F16 | mcasp1_axr15 | 0 | 1300 | CFG_MCASP1_AXR15_IN | pr2_pru0_gpi20 |
| E19 | mcasp2_aclkx | 0 | 800 | CFG_MCASP2_ACLKX_IN | pr2_pru0_gpi18 |
| A21 | mcasp2_axr2 | 0 | 1900 | CFG_MCASP2_AXR2_IN | pr2_pru0_gpi16 |
| B21 | mcasp2_axr3 | 0 | 1400 | CFG_MCASP2_AXR3_IN | pr2_pru0_gpi17 |
| D19 | mcasp2_fsx | 0 | 1400 | CFG_MCASP2_FSX_IN | pr2_pru0_gpi19 |
| B22 | mcasp3_axr0 | 0 | 1400 | CFG_MCASP3_AXR0_IN | pr2_pru0_gpi14 |
| B23 | mcasp3_axr1 | 0 | 1000 | CFG_MCASP3_AXR1_IN | pr2_pru0_gpi15 |
| A23 | mcasp3_fsx | 0 | 1300 | CFG_MCASP3_FSX_IN | pr2_pru0_gpi13 |
| Y2 | mmc3_clk | 1000 | 3700 | CFG_MMC3_CLK_IN | pr2_pru0_gpi2 |
| Y1 | mmc3_cmd | 1000 | 3500 | CFG_MMC3_CMD_IN | pr2_pru0_gpi3 |
| Y4 | mmc3_dat0 | 1000 | 3500 | CFG_MMC3_DAT0_IN | pr2_pru0_gpi4 |
| AA2 | mmc3_dat1 | 1000 | 4000 | CFG_MMC3_DAT1_IN | pr2_pru0_gpi5 |
| AA3 | mmc3_dat2 | 1000 | 3300 | CFG_MMC3_DAT2_IN | pr2_pru0_gpi6 |
| W2 | mmc3_dat3 | 1000 | 3900 | CFG_MMC3_DAT3_IN | pr2_pru0_gpi7 |
| Y3 | mmc3_dat4 | 1000 | 3500 | CFG_MMC3_DAT4_IN | pr2_pru0_gpi8 |
| AA1 | mmc3_dat5 | 1000 | 3600 | CFG_MMC3_DAT5_IN | pr2_pru0_gpi9 |
| AA4 | mmc3_dat6 | 1000 | 3500 | CFG_MMC3_DAT6_IN | pr2_pru0_gpi10 |
| AB1 | mmc3_dat7 | 1000 | 3100 | CFG_MMC3_DAT7_IN | pr2_pru0_gpi11 |
| A22 | mcasp3_aclkx | 0 | 0 | CFG_MCASP3_ACLKX_IN | pr2_pru0_gpi12 |

Manual IO Timings Modes must be used to ensure some IO timings for PRU-ICSS2 PRU0 IOSET2 Direct Output mode. See [Table 5-30 Modes Summary](#) for a list of IO timings requiring the use of Manual IO Timings Modes. See [Table 5-186 Manual Functions Mapping for PRU-ICSS2 PRU0 IOSET2 Direct Output mode](#) for a definition of the Manual modes.

[Table 5-186](#) lists the A_DELAY and G_DELAY values needed to calculate the correct values to be set in the CFG_x registers.

Table 5-186. Manual Functions Mapping for PRU-ICSS2 PRU0 IOSET2 Direct Output mode

| BALL | BALL NAME | PR2_PRU0_DIR_OUT_MANUAL2 | | CFG REGISTER | MUXMODE |
|------|--------------|--------------------------|--------------|----------------------|----------------|
| | | A_DELAY (ps) | G_DELAY (ps) | | 13 |
| Y5 | gpio6_10 | 1800 | 1900 | CFG_GPIO6_10_OUT | pr2_pru0_gpo0 |
| Y6 | gpio6_11 | 2500 | 2100 | CFG_GPIO6_11_OUT | pr2_pru0_gpo1 |
| F16 | mcasp1_axr15 | 0 | 400 | CFG_MCASP1_AXR15_OUT | pr2_pru0_gpo20 |
| E19 | mcasp2_aclkx | 0 | 400 | CFG_MCASP2_ACLKX_OUT | pr2_pru0_gpo18 |
| A21 | mcasp2_axr2 | 0 | 500 | CFG_MCASP2_AXR2_OUT | pr2_pru0_gpo16 |
| B21 | mcasp2_axr3 | 0 | 500 | CFG_MCASP2_AXR3_OUT | pr2_pru0_gpo17 |
| D19 | mcasp2_fsx | 0 | 0 | CFG_MCASP2_FSX_OUT | pr2_pru0_gpo19 |
| A22 | mcasp3_aclkx | 0 | 500 | CFG_MCASP3_ACLKX_OUT | pr2_pru0_gpo12 |
| B22 | mcasp3_axr0 | 0 | 0 | CFG_MCASP3_AXR0_OUT | pr2_pru0_gpo14 |
| B23 | mcasp3_axr1 | 0 | 200 | CFG_MCASP3_AXR1_OUT | pr2_pru0_gpo15 |
| A23 | mcasp3_fsx | 0 | 300 | CFG_MCASP3_FSX_OUT | pr2_pru0_gpo13 |
| Y2 | mmc3_clk | 2100 | 2200 | CFG_MMC3_CLK_OUT | pr2_pru0_gpo2 |
| Y1 | mmc3_cmd | 2300 | 2300 | CFG_MMC3_CMD_OUT | pr2_pru0_gpo3 |
| Y4 | mmc3_dat0 | 2000 | 1600 | CFG_MMC3_DAT0_OUT | pr2_pru0_gpo4 |

Table 5-186. Manual Functions Mapping for PRU-ICSS2 PRU0 IOSET2 Direct Output mode (continued)

| BALL | BALL NAME | PR2_PRU0_DIR_OUT_MANUAL2 | | CFG REGISTER | MUXMODE |
|------|-----------|--------------------------|--------------|-------------------|----------------|
| | | A_DELAY (ps) | G_DELAY (ps) | | 13 |
| AA2 | mmc3_dat1 | 2000 | 1700 | CFG_MMC3_DAT1_OUT | pr2_pru0_gpo5 |
| AA3 | mmc3_dat2 | 2050 | 2200 | CFG_MMC3_DAT2_OUT | pr2_pru0_gpo6 |
| W2 | mmc3_dat3 | 2000 | 2000 | CFG_MMC3_DAT3_OUT | pr2_pru0_gpo7 |
| Y3 | mmc3_dat4 | 2150 | 2600 | CFG_MMC3_DAT4_OUT | pr2_pru0_gpo8 |
| AA1 | mmc3_dat5 | 2400 | 2600 | CFG_MMC3_DAT5_OUT | pr2_pru0_gpo9 |
| AA4 | mmc3_dat6 | 2200 | 2300 | CFG_MMC3_DAT6_OUT | pr2_pru0_gpo10 |
| AB1 | mmc3_dat7 | 1800 | 2400 | CFG_MMC3_DAT7_OUT | pr2_pru0_gpo11 |

Manual IO Timings Modes must be used to ensure some IO timings for PRU-ICSS2 PRU1 IOSET1 Direct Input mode. See [Table 5-30 Modes Summary](#) for a list of IO timings requiring the use of Manual IO Timings Modes. See [Table 5-187 Manual Functions Mapping for PRU-ICSS2 PRU1 IOSET1 Direct Input mode](#) for a definition of the Manual modes.

[Table 5-187](#) lists the A_DELAY and G_DELAY values needed to calculate the correct values to be set in the CFG_x registers.

Table 5-187. Manual Functions Mapping for PRU-ICSS2 PRU1 IOSET1 Direct Input mode

| BALL | BALL NAME | PR2_PRU1_DIR_IN_MANUAL1 | | CFG REGISTER | MUXMODE |
|------|-------------------|-------------------------|--------------|------------------------|----------------|
| | | A_DELAY (ps) | G_DELAY (ps) | | 12 |
| P5 | RMII_MHZ_50_CLK_K | 1400 | 1200 | CFG_RMII_MHZ_50_CLK_IN | pr2_pru1_gpi2 |
| L6 | mdio_d | 1300 | 1600 | CFG_MDIO_D_IN | pr2_pru1_gpi1 |
| L5 | mdio_mclk | 1400 | 800 | CFG_MDIO_MCLK_IN | pr2_pru1_gpi0 |
| N2 | rgmii0_rxc | 1400 | 500 | CFG_RGMII0_RXC_IN | pr2_pru1_gpi11 |
| P2 | rgmii0_rxctl | 1400 | 1800 | CFG_RGMII0_RXCTL_IN | pr2_pru1_gpi12 |
| N4 | rgmii0_rxd0 | 1400 | 1300 | CFG_RGMII0_RXD0_IN | pr2_pru1_gpi16 |
| N3 | rgmii0_rxd1 | 1400 | 1650 | CFG_RGMII0_RXD1_IN | pr2_pru1_gpi15 |
| P1 | rgmii0_rxd2 | 1400 | 1400 | CFG_RGMII0_RXD2_IN | pr2_pru1_gpi14 |
| N1 | rgmii0_rxd3 | 1400 | 1650 | CFG_RGMII0_RXD3_IN | pr2_pru1_gpi13 |
| T4 | rgmii0_txc | 1400 | 900 | CFG_RGMII0_TXC_IN | pr2_pru1_gpi5 |
| T5 | rgmii0_txctl | 1400 | 1300 | CFG_RGMII0_TXCTL_IN | pr2_pru1_gpi6 |
| R1 | rgmii0_txd0 | 1400 | 900 | CFG_RGMII0_TXD0_IN | pr2_pru1_gpi10 |
| R2 | rgmii0_txd1 | 1300 | 1400 | CFG_RGMII0_TXD1_IN | pr2_pru1_gpi9 |
| P3 | rgmii0_txd2 | 1300 | 1100 | CFG_RGMII0_TXD2_IN | pr2_pru1_gpi8 |
| P4 | rgmii0_txd3 | 1300 | 1300 | CFG_RGMII0_TXD3_IN | pr2_pru1_gpi7 |
| N5 | uart3_rxd | 1300 | 1000 | CFG_UART3_RXD_IN | pr2_pru1_gpi3 |
| N6 | uart3_txd | 1300 | 800 | CFG_UART3_TXD_IN | pr2_pru1_gpi4 |

Manual IO Timings Modes must be used to ensure some IO timings for PRU-ICSS2 PRU1 IOSET2 Direct Input mode. See [Table 5-30 Modes Summary](#) for a list of IO timings requiring the use of Manual IO Timings Modes. See [Table 5-188 Manual Functions Mapping for PRU-ICSS2 PRU1 IOSET2 Direct Input mode](#) for a definition of the Manual modes.

[Table 5-188](#) lists the A_DELAY and G_DELAY values needed to calculate the correct values to be set in the CFG_x registers.

Table 5-188. Manual Functions Mapping for PRU-ICSS2 PRU1 IOSET2 Direct Input mode

| BALL | BALL NAME | PR2_PRU1_DIR_IN_MANUAL2 | | CFG REGISTER | MUXMODE |
|------|--------------|-------------------------|--------------|---------------------|----------------|
| | | A_DELAY (ps) | G_DELAY (ps) | | 12 |
| C16 | mcasp1_aclkx | 400 | 0 | CFG_MCASP1_ACLKX_IN | pr2_pru1_gpi7 |
| D14 | mcasp1_axr0 | 700 | 200 | CFG_MCASP1_AXR0_IN | pr2_pru1_gpi8 |
| B14 | mcasp1_axr1 | 600 | 300 | CFG_MCASP1_AXR1_IN | pr2_pru1_gpi9 |
| B16 | mcasp1_axr10 | 600 | 500 | CFG_MCASP1_AXR10_IN | pr2_pru1_gpi12 |
| B18 | mcasp1_axr11 | 700 | 500 | CFG_MCASP1_AXR11_IN | pr2_pru1_gpi13 |
| A19 | mcasp1_axr12 | 500 | 0 | CFG_MCASP1_AXR12_IN | pr2_pru1_gpi14 |
| E17 | mcasp1_axr13 | 600 | 200 | CFG_MCASP1_AXR13_IN | pr2_pru1_gpi15 |
| E16 | mcasp1_axr14 | 600 | 0 | CFG_MCASP1_AXR14_IN | pr2_pru1_gpi16 |
| A18 | mcasp1_axr8 | 800 | 0 | CFG_MCASP1_AXR8_IN | pr2_pru1_gpi10 |
| B17 | mcasp1_axr9 | 600 | 300 | CFG_MCASP1_AXR9_IN | pr2_pru1_gpi11 |
| D23 | mcasp4_axr1 | 500 | 0 | CFG_MCASP4_AXR1_IN | pr2_pru1_gpi0 |
| AC3 | mcasp5_aclkx | 2100 | 1959 | CFG_MCASP5_ACLKX_IN | pr2_pru1_gpi1 |
| AA5 | mcasp5_axr0 | 2300 | 2000 | CFG_MCASP5_AXR0_IN | pr2_pru1_gpi3 |
| AC4 | mcasp5_axr1 | 2300 | 1800 | CFG_MCASP5_AXR1_IN | pr2_pru1_gpi4 |
| U6 | mcasp5_fsx | 2100 | 1780 | CFG_MCASP5_FSX_IN | pr2_pru1_gpi2 |
| J25 | xref_clk0 | 0 | 0 | CFG_XREF_CLK0_IN | pr2_pru1_gpi5 |
| J24 | xref_clk1 | 0 | 0 | CFG_XREF_CLK1_IN | pr2_pru1_gpi6 |

Manual IO Timings Modes must be used to ensure some IO timings for PRU-ICSS2 PRU1 IOSET1 Direct Output mode. See [Table 5-30 Modes Summary](#) for a list of IO timings requiring the use of Manual IO Timings Modes. See [Table 5-189 Manual Functions Mapping for PRU-ICSS2 PRU1 IOSET1 Direct Output mode](#) for a definition of the Manual modes.

[Table 5-189](#) lists the A_DELAY and G_DELAY values needed to calculate the correct values to be set in the CFG_x registers.

Table 5-189. Manual Functions Mapping for PRU-ICSS2 PRU1 IOSET1 Direct Output mode

| BALL | BALL NAME | PR2_PRU1_DIR_OUT_MANUAL1 | | CFG REGISTER | MUXMODE |
|------|-----------------|--------------------------|--------------|-------------------------|----------------|
| | | A_DELAY (ps) | G_DELAY (ps) | | 13 |
| P5 | RMII_MHZ_50_CLK | 2306 | 100 | CFG_RMII_MHZ_50_CLK_OUT | pr2_pru1_gpo2 |
| L6 | mdio_d | 1900 | 2000 | CFG_MDIO_D_OUT | pr2_pru1_gpo1 |
| L5 | mdio_mclk | 2000 | 1100 | CFG_MDIO_MCLK_OUT | pr2_pru1_gpo0 |
| N2 | rgmii0_rxc | 2000 | 1200 | CFG_RGMII0_RXC_OUT | pr2_pru1_gpo11 |
| P2 | rgmii0_rxctl | 2000 | 1700 | CFG_RGMII0_RXCTL_OUT | pr2_pru1_gpo12 |
| N4 | rgmii0_rxd0 | 2000 | 1000 | CFG_RGMII0_RXD0_OUT | pr2_pru1_gpo16 |
| N3 | rgmii0_rxd1 | 2200 | 1000 | CFG_RGMII0_RXD1_OUT | pr2_pru1_gpo15 |
| P1 | rgmii0_rxd2 | 2200 | 1300 | CFG_RGMII0_RXD2_OUT | pr2_pru1_gpo14 |
| N1 | rgmii0_rxd3 | 2250 | 1100 | CFG_RGMII0_RXD3_OUT | pr2_pru1_gpo13 |
| T4 | rgmii0_txc | 2350 | 1000 | CFG_RGMII0_TXC_OUT | pr2_pru1_gpo5 |
| T5 | rgmii0_txctl | 2000 | 1200 | CFG_RGMII0_TXCTL_OUT | pr2_pru1_gpo6 |
| R1 | rgmii0_txd0 | 2000 | 1500 | CFG_RGMII0_TXD0_OUT | pr2_pru1_gpo10 |
| R2 | rgmii0_txd1 | 1850 | 1000 | CFG_RGMII0_TXD1_OUT | pr2_pru1_gpo9 |
| P3 | rgmii0_txd2 | 2100 | 1100 | CFG_RGMII0_TXD2_OUT | pr2_pru1_gpo8 |
| P4 | rgmii0_txd3 | 2200 | 1000 | CFG_RGMII0_TXD3_OUT | pr2_pru1_gpo7 |
| N5 | uart3_rxd | 2000 | 1600 | CFG_UART3_RXD_OUT | pr2_pru1_gpo3 |
| N6 | uart3_txd | 2000 | 1000 | CFG_UART3_TXD_OUT | pr2_pru1_gpo4 |

Manual IO Timings Modes must be used to ensure some IO timings for PRU-ICSS2 PRU1 IOSET2 Direct Output mode. See [Table 5-30 Modes Summary](#) for a list of IO timings requiring the use of Manual IO Timings Modes. See [Table 5-190 Manual Functions Mapping for PRU-ICSS2 PRU1 IOSET2 Direct Output mode](#) for a definition of the Manual modes.

[Table 5-190](#) lists the A_DELAY and G_DELAY values needed to calculate the correct values to be set in the CFG_x registers.

Table 5-190. Manual Functions Mapping for PRU-ICSS2 PRU1 IOSET2 Direct Output mode

| BALL | BALL NAME | PR2_PRU1_DIR_OUT_MANUAL2 | | CFG REGISTER | MUXMODE |
|------|--------------|--------------------------|--------------|----------------------|----------------|
| | | A_DELAY (ps) | G_DELAY (ps) | | 13 |
| C16 | mcasp1_aclkx | 200 | 800 | CFG_MCASP1_ACLKX_OUT | pr2_pru1_gpo7 |
| D14 | mcasp1_axr0 | 200 | 1000 | CFG_MCASP1_AXR0_OUT | pr2_pru1_gpo8 |
| B14 | mcasp1_axr1 | 0 | 1110 | CFG_MCASP1_AXR1_OUT | pr2_pru1_gpo9 |
| B16 | mcasp1_axr10 | 0 | 2500 | CFG_MCASP1_AXR10_OUT | pr2_pru1_gpo12 |
| B18 | mcasp1_axr11 | 0 | 1900 | CFG_MCASP1_AXR11_OUT | pr2_pru1_gpo13 |
| A19 | mcasp1_axr12 | 0 | 2300 | CFG_MCASP1_AXR12_OUT | pr2_pru1_gpo14 |
| E17 | mcasp1_axr13 | 200 | 1200 | CFG_MCASP1_AXR13_OUT | pr2_pru1_gpo15 |
| E16 | mcasp1_axr14 | 200 | 1100 | CFG_MCASP1_AXR14_OUT | pr2_pru1_gpo16 |
| A18 | mcasp1_axr8 | 200 | 1600 | CFG_MCASP1_AXR8_OUT | pr2_pru1_gpo10 |
| B17 | mcasp1_axr9 | 0 | 1900 | CFG_MCASP1_AXR9_OUT | pr2_pru1_gpo11 |
| D23 | mcasp4_axr1 | 0 | 700 | CFG_MCASP4_AXR1_OUT | pr2_pru1_gpo0 |
| AC3 | mcasp5_aclkx | 1400 | 4000 | CFG_MCASP5_ACLKX_OUT | pr2_pru1_gpo1 |
| AA5 | mcasp5_axr0 | 1500 | 3000 | CFG_MCASP5_AXR0_OUT | pr2_pru1_gpo3 |
| AC4 | mcasp5_axr1 | 1500 | 1900 | CFG_MCASP5_AXR1_OUT | pr2_pru1_gpo4 |
| U6 | mcasp5_fsx | 1300 | 2700 | CFG_MCASP5_FSX_OUT | pr2_pru1_gpo2 |
| J25 | xref_clk0 | 0 | 160 | CFG_XREF_CLK0_OUT | pr2_pru1_gpo5 |
| J24 | xref_clk1 | 0 | 0 | CFG_XREF_CLK1_OUT | pr2_pru1_gpo6 |

Manual IO Timings Modes must be used to ensure some IO timings for PRU-ICSS2 PRU0 IOSET2 Parallel Capture Mode. See [Table 5-30 Modes Summary](#) for a list of IO timings requiring the use of Manual IO Timings Modes. See [Table 5-191 Manual Functions Mapping for PRU-ICSS2 PRU0 IOSET2 Parallel Capture Mode](#) for a definition of the Manual modes.

[Table 5-191](#) lists the A_DELAY and G_DELAY values needed to calculate the correct values to be set in the CFG_x registers.

Table 5-191. Manual Functions Mapping for PRU-ICSS2 PRU0 IOSET2 Parallel Capture Mode

| BALL | BALL NAME | PR2_PRU0_PAR_CAP_MANUAL2 | | CFG REGISTER | MUXMODE |
|------|--------------|--------------------------|--------------|---------------------|----------------|
| | | A_DELAY (ps) | G_DELAY (ps) | | 12 |
| Y5 | gpio6_10 | 4125 | 481 | CFG_GPIO6_10_IN | pr2_pru0_gpi0 |
| Y6 | gpio6_11 | 3935 | 997 | CFG_GPIO6_11_IN | pr2_pru0_gpi1 |
| A21 | mcasp2_axr2 | 0 | 0 | CFG_MCASP2_AXR2_IN | pr2_pru0_gpi16 |
| A22 | mcasp3_aclkx | 571 | 0 | CFG_MCASP3_ACLKX_IN | pr2_pru0_gpi12 |
| B22 | mcasp3_axr0 | 1570 | 0 | CFG_MCASP3_AXR0_IN | pr2_pru0_gpi14 |
| B23 | mcasp3_axr1 | 1405 | 0 | CFG_MCASP3_AXR1_IN | pr2_pru0_gpi15 |
| A23 | mcasp3_fsx | 1946 | 0 | CFG_MCASP3_FSX_IN | pr2_pru0_gpi13 |
| Y2 | mmc3_clk | 4093 | 1066 | CFG_MMC3_CLK_IN | pr2_pru0_gpi2 |
| Y1 | mmc3_cmd | 4043 | 921 | CFG_MMC3_CMD_IN | pr2_pru0_gpi3 |
| Y4 | mmc3_dat0 | 4010 | 864 | CFG_MMC3_DAT0_IN | pr2_pru0_gpi4 |
| AA2 | mmc3_dat1 | 3817 | 1643 | CFG_MMC3_DAT1_IN | pr2_pru0_gpi5 |

Table 5-191. Manual Functions Mapping for PRU-ICSS2 PRU0 IOSET2 Parallel Capture Mode (continued)

| BALL | BALL NAME | PR2_PRU0_PAR_CAP_MANUAL2 | | CFG REGISTER | MUXMODE |
|------|-----------|--------------------------|--------------|------------------|----------------|
| | | A_DELAY (ps) | G_DELAY (ps) | | 12 |
| AA3 | mmc3_dat2 | 4040 | 673 | CFG_MMC3_DAT2_IN | pr2_pru0_gpi6 |
| W2 | mmc3_dat3 | 3923 | 1478 | CFG_MMC3_DAT3_IN | pr2_pru0_gpi7 |
| Y3 | mmc3_dat4 | 4096 | 729 | CFG_MMC3_DAT4_IN | pr2_pru0_gpi8 |
| AA1 | mmc3_dat5 | 3926 | 1271 | CFG_MMC3_DAT5_IN | pr2_pru0_gpi9 |
| AA4 | mmc3_dat6 | 4004 | 929 | CFG_MMC3_DAT6_IN | pr2_pru0_gpi10 |
| AB1 | mmc3_dat7 | 3963 | 666 | CFG_MMC3_DAT7_IN | pr2_pru0_gpi11 |

Manual IO Timings Modes must be used to ensure some IO timings for PRU-ICSS2 PRU1 IOSET1 Parallel Capture Mode. See [Table 5-30 Modes Summary](#) for a list of IO timings requiring the use of Manual IO Timings Modes. See [Table 5-192 Manual Functions Mapping for PRU-ICSS2 PRU1 IOSET1 Parallel Capture Mode](#) for a definition of the Manual modes.

[Table 5-192](#) lists the A_DELAY and G_DELAY values needed to calculate the correct values to be set in the CFG_x registers.

Table 5-192. Manual Functions Mapping for PRU-ICSS2 PRU1 IOSET1 Parallel Capture Mode

| BALL | BALL NAME | PR2_PRU1_PAR_CAP_MANUAL1 | | CFG REGISTER | MUXMODE |
|------|-----------------|--------------------------|--------------|------------------------|----------------|
| | | A_DELAY (ps) | G_DELAY (ps) | | 12 |
| P5 | RMII_MHZ_50_CLK | 1717 | 0 | CFG_RMII_MHZ_50_CLK_IN | pr2_pru1_gpi2 |
| L5 | mdio_d | 2088 | 0 | CFG_MDIO_D_IN | pr2_pru1_gpi1 |
| L6 | mdio_mclk | 1321 | 0 | CFG_MDIO_MCLK_IN | pr2_pru1_gpi0 |
| N2 | rgmii0_rxc | 1287 | 0 | CFG_RGMII0_RXC_IN | pr2_pru1_gpi11 |
| P2 | rgmii0_rxctl | 2456 | 0 | CFG_RGMII0_RXCTL_IN | pr2_pru1_gpi12 |
| N4 | rgmii0_rxd0 | 0 | 0 | CFG_RGMII0_RXD0_IN | pr2_pru1_gpi16 |
| N3 | rgmii0_rxd1 | 2157 | 0 | CFG_RGMII0_RXD1_IN | pr2_pru1_gpi15 |
| P1 | rgmii0_rxd2 | 2008 | 0 | CFG_RGMII0_RXD2_IN | pr2_pru1_gpi14 |
| N1 | rgmii0_rxd3 | 2271 | 0 | CFG_RGMII0_RXD3_IN | pr2_pru1_gpi13 |
| T4 | rgmii0_txc | 1851 | 0 | CFG_RGMII0_TXC_IN | pr2_pru1_gpi5 |
| T5 | rgmii0_txctl | 1875 | 0 | CFG_RGMII0_TXCTL_IN | pr2_pru1_gpi6 |
| R1 | rgmii0_txd0 | 1685 | 0 | CFG_RGMII0_TXD0_IN | pr2_pru1_gpi10 |
| R2 | rgmii0_txd1 | 2131 | 0 | CFG_RGMII0_TXD1_IN | pr2_pru1_gpi9 |
| P3 | rgmii0_txd2 | 1734 | 0 | CFG_RGMII0_TXD2_IN | pr2_pru1_gpi8 |
| P4 | rgmii0_txd3 | 1764 | 0 | CFG_RGMII0_TXD3_IN | pr2_pru1_gpi7 |
| N5 | uart3_rxd | 1654 | 0 | CFG_UART3_RXD_IN | pr2_pru1_gpi3 |
| N6 | uart3_txd | 1242 | 0 | CFG_UART3_TXD_IN | pr2_pru1_gpi4 |

Manual IO Timings Modes must be used to ensure some IO timings for PRU-ICSS2 PRU1 IOSET2 Parallel Capture Mode. See [Table 5-30 Modes Summary](#) for a list of IO timings requiring the use of Manual IO Timings Modes. See [Table 5-193 Manual Functions Mapping for PRU-ICSS2 PRU1 IOSET2 Parallel Capture Mode](#) for a definition of the Manual modes.

[Table 5-193](#) lists the A_DELAY and G_DELAY values needed to calculate the correct values to be set in the CFG_x registers.

Table 5-193. Manual Functions Mapping for PRU-ICSS2 PRU1 IOSET2 Parallel Capture Mode

| BALL | BALL NAME | PR2_PRU1_PAR_CAP_MANUAL2 | | CFG REGISTER | MUXMODE |
|------|--------------|--------------------------|--------------|---------------------|----------------|
| | | A_DELAY (ps) | G_DELAY (ps) | | 12 |
| C16 | mcasp1_aclkx | 1928 | 0 | CFG_MCASP1_ACLKX_IN | pr2_pru1_gpi7 |
| D14 | mcasp1_axr0 | 2413 | 0 | CFG_MCASP1_AXR0_IN | pr2_pru1_gpi8 |
| B14 | mcasp1_axr1 | 2523 | 25 | CFG_MCASP1_AXR1_IN | pr2_pru1_gpi9 |
| B16 | mcasp1_axr10 | 2607 | 0 | CFG_MCASP1_AXR10_IN | pr2_pru1_gpi12 |
| B18 | mcasp1_axr11 | 2669 | 92 | CFG_MCASP1_AXR11_IN | pr2_pru1_gpi13 |
| A19 | mcasp1_axr12 | 2225 | 0 | CFG_MCASP1_AXR12_IN | pr2_pru1_gpi14 |
| E17 | mcasp1_axr13 | 2315 | 0 | CFG_MCASP1_AXR13_IN | pr2_pru1_gpi15 |
| E16 | mcasp1_axr14 | 0 | 0 | CFG_MCASP1_AXR14_IN | pr2_pru1_gpi16 |
| A18 | mcasp1_axr8 | 2201 | 0 | CFG_MCASP1_AXR8_IN | pr2_pru1_gpi10 |
| B17 | mcasp1_axr9 | 2293 | 278 | CFG_MCASP1_AXR9_IN | pr2_pru1_gpi11 |
| D23 | mcasp4_axr1 | 1759 | 0 | CFG_MCASP4_AXR1_IN | pr2_pru1_gpi0 |
| AC3 | mcasp5_aclkx | 3732 | 1810 | CFG_MCASP5_ACLKX_IN | pr2_pru1_gpi1 |
| AA5 | mcasp5_axr0 | 3776 | 2255 | CFG_MCASP5_AXR0_IN | pr2_pru1_gpi3 |
| AC4 | mcasp5_axr1 | 3886 | 1923 | CFG_MCASP5_AXR1_IN | pr2_pru1_gpi4 |
| U6 | mcasp5_fsx | 3800 | 1449 | CFG_MCASP5_FSX_IN | pr2_pru1_gpi2 |
| J25 | xref_clk0 | 1375 | 21 | CFG_XREF_CLK0_IN | pr2_pru1_gpi5 |
| J24 | xref_clk1 | 1320 | 0 | CFG_XREF_CLK1_IN | pr2_pru1_gpi6 |

5.10.6.23 System and Miscellaneous interfaces

The Device includes the following System and Miscellaneous interfaces:

- Sysboot Interface
- System DMA Interface
- Interrupt Controllers (INTC) Interface

5.10.7 Emulation and Debug Subsystem

The Device includes the following Test interfaces:

- IEEE 1149.1 Standard-Test-Access Port (JTAG)
- Trace Port Interface Unit (TPIU)

5.10.7.1 IEEE 1149.1 Standard-Test-Access Port (JTAG)

The JTAG (IEEE Standard 1149.1-1990 Standard-Test-Access Port and Boundary Scan Architecture) interface is used for BSDL testing and emulation of the device. The `trstn` pin only needs to be released when it is necessary to use a JTAG controller to debug the device or exercise the device's boundary scan functionality. For maximum reliability, the device includes an internal Pulldown (IPD) on the `trstn` pin to ensure that `trstn` is always asserted upon power up and the device's internal emulation logic is always properly initialized. JTAG controllers from Texas Instruments actively drive `trstn` high. However, some third-party JTAG controllers may not drive `trstn` high but expect the use of a Pullup resistor on `trstn`. When using this type of JTAG controller, assert `trstn` to initialize the device after powerup and externally drive `trstn` high before attempting any emulation or boundary-scan operations.

The main JTAG features include:

- 32KB embedded trace buffer (ETB)
- 5-pin system trace interface for debug
- Supports Advanced Event Triggering (AET)
- All processors can be emulated via JTAG ports
- All functions on EMU pins of the device:
 - EMU[1:0] - cross-triggering, boot mode (WIR), STM trace
 - EMU[4:2] - STM trace only (single direction)

5.10.7.1.1 JTAG Electrical Data/Timing

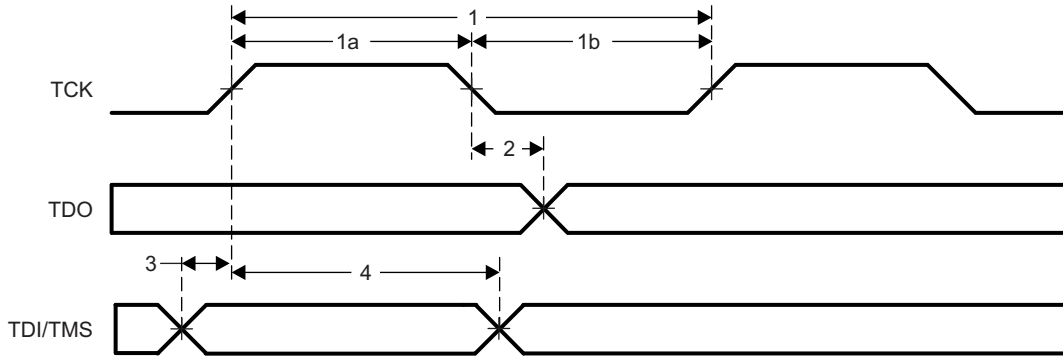
Table 5-194, Table 5-195 and Figure 5-125 assume testing over the recommended operating conditions and electrical characteristic conditions below.

Table 5-194. Timing Requirements for IEEE 1149.1 JTAG

| NO. | PARAMETER | DESCRIPTION | MIN | MAX | UNIT |
|-----|--------------------------|--|-------|-----|------|
| 1 | $t_c(\text{TCK})$ | Cycle time, TCK | 62.29 | | ns |
| 1a | $t_w(\text{TCKH})$ | Pulse duration, TCK high (40% of t_c) | 24.92 | | ns |
| 1b | $t_w(\text{TCKL})$ | Pulse duration, TCK low (40% of t_c) | 24.92 | | ns |
| 3 | $t_{su}(\text{TDI-TCK})$ | Input setup time, TDI valid to TCK high | 6.23 | | ns |
| | $t_{su}(\text{TMS-TCK})$ | Input setup time, TMS valid to TCK high | 6.23 | | ns |
| 4 | $t_h(\text{TCK-TDI})$ | Input hold time, TDI valid from TCK high | 31.15 | | ns |
| | $t_h(\text{TCK-TMS})$ | Input hold time, TMS valid from TCK high | 31.15 | | ns |

Table 5-195. Switching Characteristics Over Recommended Operating Conditions for IEEE 1149.1 JTAG

| NO. | PARAMETER | DESCRIPTION | MIN | MAX | UNIT |
|-----|-------------------------|----------------------------------|-----|------|------|
| 2 | $t_d(\text{TCKL-TDOV})$ | Delay time, TCK low to TDO valid | 0 | 30.5 | ns |



SPRS906_TIMING_JTAG_01

Figure 5-125. JTAG Timing

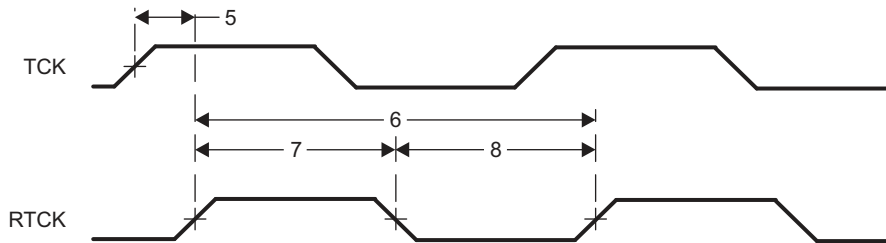
Table 5-196, Table 5-197 and Figure 5-126 assume testing over the recommended operating conditions and electrical characteristic conditions below.

Table 5-196. Timing Requirements for IEEE 1149.1 JTAG With RTCK

| NO. | PARAMETER | DESCRIPTION | MIN | MAX | UNIT |
|-----|--------------------------|--|-------|-----|------|
| 1 | $t_c(\text{TCK})$ | Cycle time, TCK | 62.29 | | ns |
| 1a | $t_w(\text{TCKH})$ | Pulse duration, TCK high (40% of t_c) | 24.92 | | ns |
| 1b | $t_w(\text{TCKL})$ | Pulse duration, TCK low (40% of t_c) | 24.92 | | ns |
| 3 | $t_{su}(\text{TDI-TCK})$ | Input setup time, TDI valid to TCK high | 6.23 | | ns |
| | $t_{su}(\text{TMS-TCK})$ | Input setup time, TMS valid to TCK high | 6.23 | | ns |
| 4 | $t_h(\text{TCK-TDI})$ | Input hold time, TDI valid from TCK high | 31.15 | | ns |
| | $t_h(\text{TCK-TMS})$ | Input hold time, TMS valid from TCK high | 31.15 | | ns |

Table 5-197. Switching Characteristics Over Recommended Operating Conditions for IEEE 1149.1 JTAG With RTCK

| NO. | PARAMETER | DESCRIPTION | MIN | MAX | UNIT |
|-----|------------------------|--|-------|-----|------|
| 5 | $t_d(\text{TCK-RTCK})$ | Delay time, TCK to RTCK with no selected subpaths (i.e. ICEPick is the only tap selected - when the Arm is in the scan chain, the delay time is a function of the Arm functional clock). | 0 | 27 | ns |
| 6 | $t_c(\text{RTCK})$ | Cycle time, RTCK | 62.29 | | ns |
| 7 | $t_w(\text{RTCKH})$ | Pulse duration, RTCK high (40% of t_c) | 24.92 | | ns |
| 8 | $t_w(\text{RTCKL})$ | Pulse duration, RTCK low (40% of t_c) | 24.92 | | ns |



SPRS906_TIMING_JTAG_02

Figure 5-126. JTAG With RTCK Timing

5.10.7.2 Trace Port Interface Unit (TPIU)

CAUTION

The I/O timings provided in this section are valid only if signals within a single IOSET are used. The IOSETs are defined in [Table 5-199](#).

5.10.7.2.1 TPIU PLL DDR Mode

[Table 5-198](#) and [Figure 5-127](#) assume testing over the recommended operating conditions and electrical characteristic conditions below.

Table 5-198. Switching Characteristics for TPIU

| NO. | PARAMETER | DESCRIPTION | MIN | MAX | UNIT |
|-------|---------------------------|---|-------|------|------|
| TPIU1 | $t_{c(\text{clk})}$ | Cycle time, TRACECLK period | 5.56 | | ns |
| TPIU4 | $t_{d(\text{clk-cltV})}$ | Skew time, TRACECLK transition to TRACECTL transition | -1.61 | 1.98 | ns |
| TPIU5 | $t_{d(\text{clk-dataV})}$ | Skew time, TRACECLK transition to TRACEDATA[17:0] | -1.61 | 1.98 | ns |

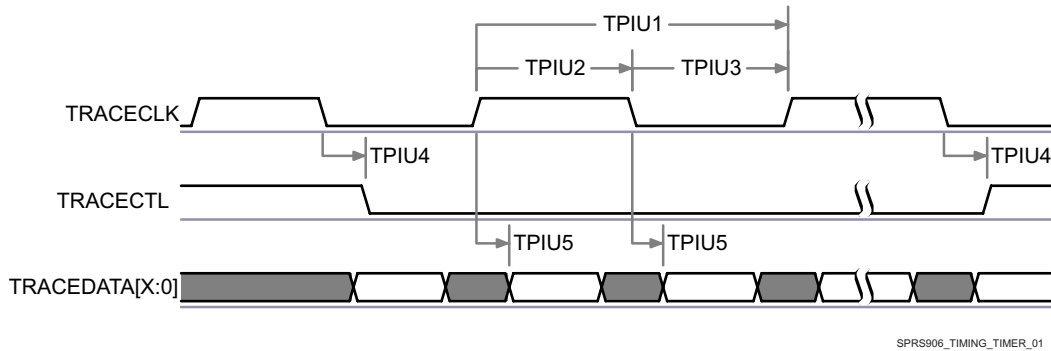


Figure 5-127. TPIU—PLL DDR Transmit Mode⁽¹⁾

(1) In d[X:0], X is equal to 15 or 17.

In [Table 5-199](#) are presented the specific groupings of signals (IOSET) for use with TPIU signals.

Table 5-199. TPIU IOSETs

| SIGNALS | IOSET1 | | IOSET2 | |
|---------|--------|-----|--------|-----|
| | BALL | MUX | BALL | MUX |
| emu19 | E10 | 5 | | |
| emu18 | B10 | 5 | | |
| emu17 | A10 | 5 | | |
| emu16 | F10 | 5 | | |
| emu15 | A11 | 5 | | |
| emu14 | A8 | 5 | | |
| emu13 | A9 | 5 | | |
| emu12 | A7 | 5 | | |
| emu11 | B9 | 5 | | |
| emu10 | C8 | 5 | | |
| emu9 | B8 | 5 | | |
| emu8 | E8 | 5 | | |
| emu7 | C7 | 5 | | |
| emu6 | B7 | 5 | | |

Table 5-199. TPIU IOSETs (continued)

| SIGNALS | IOSET1 | | IOSET2 | |
|---------|--------|-----|--------|-----|
| | BALL | MUX | BALL | MUX |
| emu5 | D8 | 5 | | |
| emu1 | C22 | 0 | C22 | 0 |
| emu0 | C21 | 0 | C21 | 0 |

6 Detailed Description

6.1 Description

AM570x Sitara™ processors are Arm applications processors built to meet the intense processing needs of modern embedded products.

AM570x devices bring high processing performance through the maximum flexibility of a fully integrated mixed processor solution. The devices also combine programmable video processing with a highly integrated peripheral set.

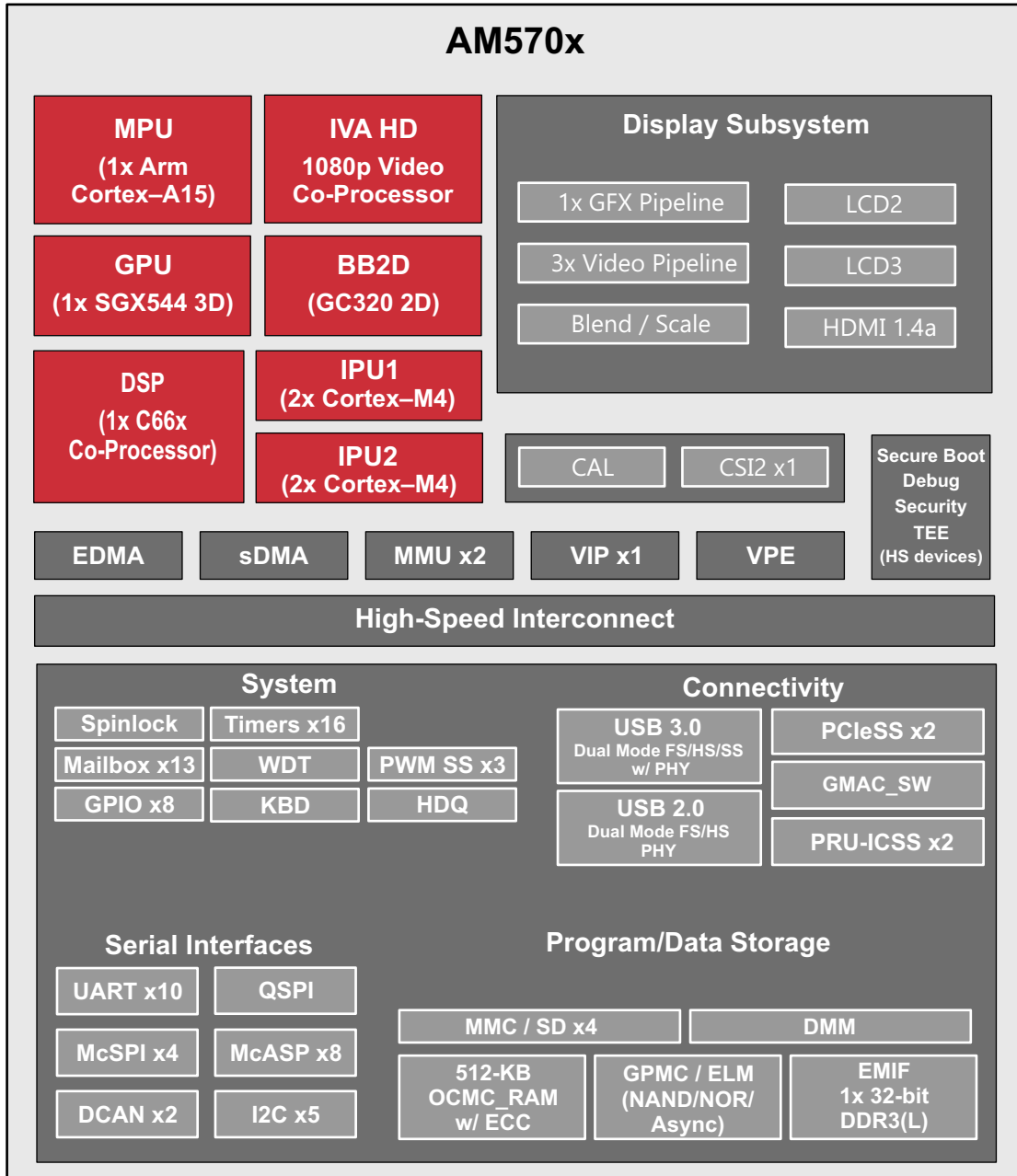
Programmability is provided by a single-core Arm Cortex-A15 RISC CPU with Neon extensions and TI C66x VLIW floating-point DSP cores. The Arm processor lets developers keep control functions separate from vision algorithms programmed on the DSP and coprocessors, thus reducing the complexity of the system software.

Additionally, TI provides a complete set of development tools for the Arm and C66x DSP, including C compilers, a DSP assembly optimizer to simplify programming and scheduling, and a debugging interface for visibility into source code execution.

Cryptographic acceleration is available in all devices. All other supported security features, including support for secure boot, debug security and support for trusted execution environment are available on High-Security (HS) devices. For more information about HS devices, contact your TI representative.

6.2 Functional Block Diagram

[Figure 6-1](#) is functional block diagram for the device.



intro-001

Figure 6-1. AM570x Block Diagram

6.3 MPU

The Cortex®-A15 microprocessor unit (MPU) subsystem serves the applications processing role by running the high-level operating system (HLOS) and application code.

The MPU subsystem incorporates one Cortex-A15 MPU core (MPU_C0), individual level 1 (L1) caches, level 2 (L2) cache (MPU_L2CACHE) shared between them, and various other shared peripherals. To aid software development, the processor core can be kept cache-coherent with the L2 cache.

The MPU subsystem provides a high-performance computing platform with high peak-computing performance and low memory latency.

The Arm subsystem supports the following key features:

- Arm Cortex-A15 MP Core™ (MPU_CLUSTER)
 - One Cortex-A15 MPU core (revision r2p2) which has the following features:
 - Superscalar, dynamic multi-issue technology
 - Out-of-order (OoO) instruction dispatch and completion
 - Dynamic branch prediction with branch target buffer (BTB), global history buffer (GHB), and 48-entry return stack
 - Continuous fetch and decoding of three instructions per clock cycle
 - Dispatch of up to four instructions and completion of eight instructions per clock cycle
 - Provides optimal performance from binaries compiled for previous Arm processors
 - Five execution units handle simple instructions, branch instructions, Neon and floating point instructions, multiply instructions, and load and store instructions.
 - Simple instructions take two cycles from dispatch, while complex instructions take up to 11 cycles.
 - Can issue two simple instructions in a cycle
 - Can issue a load and a store instruction in the same cycle
 - Integrated Neon processing engine to include the Arm Neon Advanced SIMD (single instruction, multiple data) support for accelerated media and signal processing computation
 - Includes VFPv4-compatible hardware to support single- and double-precision add, subtract, divide, multiply and accumulate, and square root operations
 - Extensive support to accelerate virtualization using a hypervisor
 - 32-KiB L1 instruction (L1I) and 32-KiB L1 data (L1D) cache:
 - 64-byte line size
 - 2-way set associative
 - Memory management unit (MMU):
 - Two-level translation lookaside buffer (TLB) organization
 - First level is an 32-entry, fully associative micro-TLB implemented for each of instruction fetch, load, and store.
 - Second level is a unified, 4-way associative, 512-entry main TLB
 - Supports hardware TLB table-walk for backward-compatible and new 64-bit entry page table formats
 - New page table format can produce 40-bit physical addresses
 - Two-stage translation where first stage is HLOS-controlled and the second level may be controlled by a hypervisor. Second stage always uses the new page table format
 - Integrated L2 cache (MPU_L2CACHE) and snoop control unit (SCU):
 - 1-MiB of unified (instructions and data) cache organized as 16 ways of 1024 sets of 64-byte lines
 - Redundant L1 data (cache) tags to perform snoop filtering (L1 instruction cache tags are not duplicated)
 - Operates at Cortex-A15 MPU core clock rate
 - Integrated L2 cache controller (MPU_L2CACHE_CTRL):
 - Sixteen 64-byte line buffers that handle evictions, line fills and snoop transfers
 - One 128-bit AMBA4 Coherent Bus (AXI4-ACE) port
 - Auto-prefetch buffer for up to 16 streams and detecting forward and backward strides
 - Generalized interrupt controller (GIC, also referred to as MPU_INTIC): An interrupt controller supplied by Arm. The single GIC in the MPU_CLUSTER routes interrupts to the MPU core. The GIC supports:
 - Number of shared peripheral interrupts (SPI): 160
 - Number of software generated interrupts (SGI): 16
 - Number of CPU interfaces: 1

- Virtual CPU interface for virtualization support. This allows the majority of guest operating system (OS) interactions with the GIC to be handled in hardware, but with physical interrupts still requiring hypervisor intervention to assign them to the appropriate virtual machine.
- Integrated timer counter and one timer block
- Arm CoreSight™ debug and trace modules. For more information, see chapter *On-Chip Debug Support* of the Device TRM.
- MPU_AXI2OCP bridge (local interconnect):
 - Connected to Memory Adapter (MPU_MA), which routes the non-EMIF address space transactions to MPU_AXI2OCP
 - Single request multiple data (SRMD) protocol on L3_MAIN port
 - Multiple targets:
 - 64-bit port to the L3_MAIN interconnect. Interface frequency is 1/4 or 1/8 of core frequency
 - MPU_ROM
 - Internal MPU subsystem peripheral targets, including Memory Adapter LISA Section Manager (MA_LSM), wake-up generator (MPU_WUGEN), watchdog timer (MPU_WD_TIMER), and local PRCM module (MPU_PRCM) configuration
 - Internal AXI target, CoreSight System Trace Module (CS_STM)
- Memory adapter (MPU_MA): Helps decrease the latency of accesses between the MPU_L2CACHE and the external memory interface (EMIF1) by providing a direct path between the MPU subsystem and EMIF1:
 - Connected to 128-bit AMBA4 interface of MPU_CLUSTER
 - Direct 128-bit interface to EMIF1
 - Interface speed between MPU_CLUSTER and MPU_MA is at half-speed of the MPU core frequency
 - Quarter-speed interface to EMIF
 - Uses firewall logic to check access rights of incoming addresses
- Local PRCM (MPU_PRCM):
 - Handles MPU_C0 power domain
 - Supports SR3-APG (SmartReflex3 Automatic Power Gating) power management technology inside the MPU_CLUSTER
 - MPU subsystem has five power domains
- Wake-up generator (MPU_WUGEN)
 - Responsible for waking up the MPU core
- Standby controller: Handles the power transitions inside the MPU subsystem
- Realtime (master) counter (COUNTER_REALTIME): Produces the count used by the private timer peripheral in the MPU_CLUSTER
- Watchdog timer (MPU_WD_TIMER): Used to generate a chip-level watchdog reset request to global PRCM
- On-chip boot ROM (MPU_ROM): The MPU_ROM size is 48-KiB, and the address range is from 0x4003 8000 to 0x4004 3FFF. For more information about booting from this memory, see chapter *Initialization* of the Device TRM.

- Interfaces:
 - 128-bit interface to EMIF1
 - 64-bit master port to the L3_MAIN interconnect
 - 32-bit slave port from the L4_CFG_EMU interconnect (debug subsystem) for configuration of the MPU subsystem debug modules
 - 32-bit slave port from the L4_CFG interconnect for memory adapter firewall (MPU_MA_NTTP_FW) configuration
 - 32-bit ATB output for transmitting debug and trace data
 - 160 peripheral interrupt inputs

For more information, see section *Arm Cortex-A15 Subsystem* in chapter *Processors and Accelerators* of the Device TRM.

6.4 DSP Subsystem

The device includes a single instance (DSP1) of a digital signal processor (DSP) subsystem, based on the TI's standard TMS320C66x DSP CorePac core.

The TMS320C66x DSP core enhances the TMS320C674x™ core, which merges the C674x™ floating point and the C64x+™ fixed-point instruction set architectures. The C66x DSP is object-code compatible with the C64x+/C674x DSPs.

For more information on the TMS320C66x core CPU, see the *TMS320C66x DSP CPU and Instruction Set Reference Guide*, ([SPRUGH7](#)).

The DSP subsystem integrated in the device includes the following components:

- A TMS320C66x CorePac DSP core that encompasses:
 - L1 program-dedicated (L1P) cacheable memory
 - L1 data-dedicated (L1D) cacheable memory
 - L2 (program and data) cacheable memory
 - Extended Memory Controller (XMC)
 - External Memory Controller (EMC)
 - DSP CorePac located interrupt controller (INTC)
 - DSP CorePac located power-down controller (PDC)
- Dedicated enhanced data memory access engine - EDMA, to transfer data from/to memories and peripherals external to the DSP subsystem and to local DSP memory (most commonly L2 SRAM). The external DMA requests are passed through DSP system level (SYS) wakeup logic, and collected from the DSP1 dedicated outputs of the device DMA Events Crossbar for the subsystem.
- A level 2 (L2) interconnect network (DSP NoC) to allow connectivity between different modules of the subsystem or the remainder of the device via the device L3_MAIN interconnect.
- Two memory management units (on EDMA L2 interconnect and DSP MDMA paths) for accessing the device L3_MAIN interconnect address space
- Dedicated system control logic (DSP_SYSTEM) responsible for power management, clock generation, and connection to the device power, reset, and clock management (PRCM) module

The TMS320C66x Instruction Set Architecture (ISA) is the latest for the C6000 family. As with its predecessors (C64x, C64x+ and C674x), the C66x is an advanced VLIW architecture with 8 functional units (two multiplier units and six arithmetic logic units) that operate in parallel. The C66x CPU has a total of 64 general-purpose 32-bit registers.

Some features of the DSP C6000 family devices are:

- Advanced VLIW CPU with eight functional units (two multipliers and six ALUs) which:
 - Executes up to eight instructions per cycle for up to ten times the performance of typical DSPs
 - Allows designers to develop highly effective RISC-like code for fast development time

- Instruction packing
 - Gives code size equivalence for eight instructions executed serially or in parallel
 - Reduces code size, program fetches, and power consumption
- Conditional execution of most instructions
 - Reduces costly branching
 - Increases parallelism for higher sustained performance
- Efficient code execution on independent functional units
 - Industry's most efficient C compiler on DSP benchmark suite
 - Industry's first assembly optimizer for fast development and improved parallelization
- 8-/16-/32-bit/64-bit data support, providing efficient memory support for a variety of applications
- 40-bit arithmetic options which add extra precision for vocoders and other computationally intensive applications
- Saturation and normalization to provide support for key arithmetic operations
- Field manipulation and instruction extract, set, clear, and bit counting support common operation found in control and data manipulation applications.

The C66x CPU has the following additional features:

- Each multiplier can perform two 16×16 -bit or four 8×8 bit multiplies every clock cycle.
- Quad 8-bit and dual 16-bit instruction set extensions with data flow support
- Support for non-aligned 32-bit (word) and 64-bit (double word) memory accesses
- Special communication-specific instructions have been added to address common operations in error-correcting codes.
- Bit count and rotate hardware extends support for bit-level algorithms.
- Compact instructions: Common instructions (AND, ADD, LD, MPY) have 16-bit versions to reduce code size.
- Protected mode operation: A two-level system of privileged program execution to support higher-capability operating systems and system features such as memory protection.
- Exceptions support for error detection and program redirection to provide robust code execution
- Hardware support for modulo loop operation to reduce code size and allow interrupts during fully-pipelined code
- Each multiplier can perform 32×32 bit multiplies
- Additional instructions to support complex multiplies allowing up to eight 16-bit multiply/add/subtracts per clock cycle

The TMS320C66x has the following key improvements to the ISA:

- 4x Multiply Accumulate improvement for both fixed and floating point
- Improvement of the floating point arithmetic
- Enhancement of the vector processing capability for fixed and floating point
- Addition of domain-specific instructions for complex arithmetic and matrix operations

On the C66x ISA, the vector processing capability is improved by extending the width of the SIMD instructions. The C674x DSP supports 2-way SIMD operations for 16-bit data and 4-way SIMD operations for 8-bit data. C66x enhances this capabilities with the addition of SIMD instructions for 32-bit data allowing operation on 128-bit vectors. For example the QMPY32 instruction is able to perform the element to element multiplication between two vectors of four 32-bit data each.

C66x ISA includes a set of specific instructions to handle complex arithmetic and matrix operations.

- **TMS320C66x DSP CorePac memory components:**
 - A 32-KiB L1 program memory (L1P) configurable as cache and/or SRAM:
 - When configured as a cache, the L1P is a 1-way set-associative cache with a 32-byte cache line
 - The DSP CorePac L1P memory controller provides bandwidth management, memory protection, and power-down functions
 - The L1P is capable of cache block and global coherence operations
 - The L1P controller has an Error Detection (ED) mechanism, including necessary SRAM
 - The L1P memory can be fully configured as a cache or SRAM
 - Page size for L1P memory is 2KB
 - A 32-KiB L1 data memory (L1D) configurable as cache and / or SRAM:
 - When configured as a cache, the L1D is a 2-way set-associative cache with a 64-byte cache line
 - The DSP CorePac L1D memory controller provides bandwidth management, memory protection, and power-down functions
 - The L1D memory can be fully configured as a cache or SRAM
 - No support for error correction or detection
 - Page size for L1D memory is 2KB
 - A 288-KiB (program and data) L2 memory, only part of which is cacheable:
 - When configured as a cache, the L2 memory is a 4-way set associative cache with a 128-byte cache line
 - Only 256 KiB of L2 memory can be configured as cache or SRAM
 - 32 KiB of the L2 memory is always mapped as SRAM
 - The L2 memory controller has an Error Correction Code (ECC) and ED mechanism, including necessary SRAM
 - The L2 memory controller supports hardware prefetching and also provides bandwidth management, memory protection, and power-down functions.
 - Page size for L2 memory is 16KB
- The **External Memory Controller (EMC)** is a bridge from the C66x CorePac to the rest of the DSP subsystem and device. It has :
 - a 32-bit configuration port (CFG) providing access to local subsystem resources (like DSP_EDMA, DSP_SYSTEM, and so forth) or to L3_MAIN resources accessible via the CFG address range.
 - a 128-bit slave-DMA port (SDMA) which provides accesses of system masters outside the DSP subsystem to resources inside the DSP subsystem or C66x DSP CorePac memories, i.e. when the DSP subsystem is the slave in a transaction.
- The **Extended Memory Controller (XMC)** processes requests from the L2 Cache Controller (which are a result of CPU instruction fetches, load/store commands, cache operations) to device resources via the C66x DSP CorePac 128-bit master DMA (MDMA) port:
 - Memory protection for addresses outside C66x DSP CorePac generated over device L3_MAIN on the MDMA port
 - Prefetch, multi-in-flight requests
- A DSP local **Interrupt Controller (INTC)** in the DSP C66x CorePac, interfaces the system events to the DSP C66x core CPU interrupt and exceptions inputs. The DSP subsystem C66x CorePac interrupt controller supports up to 128 system events of which 64 interrupts are external to DSP subsystem, collected from the DSP1 dedicated outputs of the device Interrupt Crossbar.

- **Local Enhanced Direct Memory Access (EDMA) controller features:**
 - Channel controller (CC) : 64-channel, 128 PaRAM, 2 Queues
 - 2 x Third-party Transfer Controllers (TPTC0 and TPTC1):
 - Each TC has a 128-bit read port and a 128-bit write port
 - 2KiB FIFOs on each TPTC
 - 1-dimensional/2-dimensional (1D/2D) addressing
 - Chaining capability
- **DSP subsystem integrated MMUs:**
 - Two MMUs are integrated:
 - The MMU0 is located between DSP MDMA master port and the device L3_MAIN interconnect and can be optionally bypassed
 - The MMU1 is located between the EDMA master port and the device L3_MAIN interconnect
- A DSP local **Power-Down Controller (PDC)** is responsible to power-down various parts of the DSP C66x CorePac, or the entire DSP C66x CorePac.
- The DSP subsystem **System Control logic** provides:
 - Slave idle and master standby protocols with device PRCM for powerdown
 - OCP Disconnect handshake for init and target busses
 - Asynchronous reset
 - Power-down modes:
 - "Clockstop" mode featuring wake-up on interrupt event. The DMA event wake-up is managed in software.
- The device DSP subsystem is supplied by a PRCM DPLL, but DSP1 **has integrated its own PLL module** outside the C66x CorePac for clock gating and division.
- **The device DSP subsystem has following port instances** to connect to remaining part of the device. See also :
 - A 128-bit initiator (DSP MDMA master) port for MDMA/Cache requests
 - A 128-bit initiator (DSP EDMA master) port for EDMA requests
 - A 32-bit initiator (DSP CFG master) port for configuration requests
 - A 128-bit target (DSP slave) port for requests to DSP memories and various peripherals
- **C66x DSP subsystem (DSPSS) safety aspects:**
 - Above mentioned memory ECC/ED mechanisms
 - MMUs enable mapping of only the necessary application space to the processor
 - Memory Protection Units internal to the DSPSS (in L1P, L1D and L2 memory controllers) and external to DSPSS (firewalls) to help define legal accesses and raise exceptions on illegal accesses
 - Exceptions: Memory errors, various DSP errors, MMU errors and some system errors are detected and cause exceptions. The exceptions could be handled by the DSP or by a designated safety processor at the chip level. Note that it may not be possible for the safety processor to completely handle some exceptions

Unsupported features on the C66x DSP core for the device are:

- The Extended Memory Controller MPAX (memory protection and address extension) 36-bit addressing is NOT supported

Known DSP subsystem powermode restrictions for the device are:

- "Full logic / RAM retention" mode featuring wake-up on both interrupt or DMA event (logic in "always on" domain). Only OFF mode is supported by DSP subsystem, **requiring full boot.**

For more information about:

- C66x debug/trace support, see chapter *On-Chip Debug* of the Device TRM.

6.5 PRU-ICSS

The device Programmable Real-Time Unit and Industrial Communication Subsystem (PRU-ICSS) consists of dual 32-bit Load / Store RISC CPU cores - Programmable Real-Time Units (PRU0 and PRU1), shared, data, and instruction memories, internal peripheral modules, and an interrupt controller (PRU-ICSS_INTC). The programmable nature of the PRUs, along with their access to pins, events and all SoC resources, provides flexibility in implementing fast real-time responses, specialized data handling operations, customer peripheral interfaces, and in off-loading tasks from the other processor cores of the system-on-chip (SoC).

The each PRU-ICSS includes the following main features:

- 21x Enhanced GPIOs (EGPIs) and 21x Enhanced GPOs (EGPOs) with asynchronous capture and serial support per each PRU CPU core
- One Ethernet MII_RT module (PRU-ICSS_MII_RT) with two MII ports and configurable connections to PRUs
- 1 MDIO Port (PRU-ICSS_MII_MDIO)
- One Industrial Ethernet Peripheral (IEP) to manage/generate Industrial Ethernet functions
- 1 x 16550-compatible UART with a dedicated 192 MHz clock to support 12Mbps Profibus
- 1 Industrial Ethernet timer with 7/9 capture and 8 compare events
- 1 Enhanced Capture Module (ECAP)
- 1 Interrupt Controller (PRU-ICSS_INTC)
- A flexible power management support
- Integrated switched central resource with programmable priority
- Parity control supported by all memories

For more information, see chapter *Programmable Real-Time Unit Subsystem and Industrial Communication Subsystem (PRU-ICSS)* of the Device TRM.

6.6 Memory Subsystem

6.6.1 EMIF

The EMIF module provides connectivity between DDR memory types and manages data bus read/write accesses between external memory and device subsystems which have master access to the L3_MAIN interconnect and DMA capability.

The EMIF module has the following capabilities:

- Supports JEDEC standard-compliant DDR3/DDR3L-SDRAM memory types
- 2-GiB SDRAM address range over one chip-select. This range is configurable through the dynamic memory manager (DMM) module
- Supports SDRAM devices with one, two, four or eight internal banks
- Supports SDRAM devices with single or dual die packages
- Data bus widths:
 - 128-bit L3_MAIN (system) interconnect data bus width
 - 128-bit port for direct connection with MPU subsystem
 - 32-bit SDRAM data bus width
 - 16-bit SDRAM data bus width used in narrow mode
- Supported CAS latencies:
 - DDR3: 5, 6, 7, 8, 9, 10 and 11
- Supports 256-, 512-, 1024-, and 2048-word page sizes
- Supported burst length: 8
- Supports sequential burst type
- SDRAM auto initialization from reset or configuration change
- Supports self refresh and power-down modes for low power
- Partial array self-refresh mode for low power.
- Output impedance (ZQ) calibration for DDR3
- Supports on-die termination (ODT) DDR3
- Supports prioritized refresh
- Programmable SDRAM refresh rate and backlog counter
- Programmable SDRAM timing parameters
- Write and read leveling/calibration and data eye training for DDR3.

The EMIF module does not support:

- Burst chop for DDR3
- Interleave burst type
- Auto precharge because of better Bank Interleaving performance
- DLL disabling from EMIF side
- SDRAM devices with more than one die, or topologies which require more than one chip select on a single EMIF channel

For more information, see section *DDR External Memory Interface (EMIF)* in chapter *Memory Subsystem* of the Device TRM.

6.6.2 GPMC

The General Purpose Memory Controller (GPMC) is an external memory controller of the device. Its data access engine provides a flexible programming model for communication with all standard memories.

The GPMC supports the following various access types:

- Asynchronous read/write access

- Asynchronous read page access (4, 8, and 16 Word16)
- Synchronous read/write access
- Synchronous read/write burst access without wrap capability (4, 8 and 16 Word16)
- Synchronous read/write burst access with wrap capability (4, 8 and 16 Word16)
- Address-data-multiplexed (AD) access
- Address-address-data (AAD) multiplexed access
- Little- and big-endian access

The GPMC can communicate with a wide range of external devices:

- External asynchronous or synchronous 8-bit wide memory or device (non burst device)
- External asynchronous or synchronous 16-bit wide memory or device
- External 16-bit non-multiplexed NOR flash device
- External 16-bit address and data multiplexed NOR Flash device
- External 8-bit and 16-bit NAND flash device
- External 16-bit pseudo-SRAM (pSRAM) device

The main features of the GPMC are:

- 8- or 16-bit-wide data path to external memory device
- Supports up to eight CS regions of programmable size and programmable base addresses in a total address space of 1 GiB
- Supports transactions controlled by a firewall
- On-the-fly error code detection using the Bose-Chaudhuri-Hocquenghem (BCH) ($t = 4, 8, \text{ or } 16$) or Hamming code to improve the reliability of NAND with a minimum effect on software (NAND flash with 512-byte page size or greater)
- Fully pipelined operation for optimal memory bandwidth use
- The clock to the external memory is provided from GPMC functional clock divided by 1, 2, 3, or 4
- Supports programmable autoclock gating when no access is detected
- Independent and programmable control signal timing parameters for setup and hold time on a per-chip basis. Parameters are set according to the memory device timing parameters, with a timing granularity of one GPMC functional clock cycle.
- Flexible internal access time control (WAIT state) and flexible handshake mode using external WAIT pin monitoring
- Support bus keeping
- Support bus turnaround
- Prefetch and write posting engine associated with to achieve full performance from the NAND device with minimum effect on NOR/SRAM concurrent access

For more information, see section *General-Purpose Memory Controller (GPMC)* in chapter *Memory Subsystem* of the Device TRM.

6.6.3 ELM

In the case of NAND modules with no internal correction capability, sometimes referred to as bare NAND, the correction process can be delegated to the error location module (ELM) used in conjunction with the GPMC.

The ELM supports the following features:

- 4, 8, and 16 bits per 512-byte block error location based on BCH algorithm
- Eight simultaneous processing contexts
- Page-based and continuous modes

- Interrupt generation when error location process completes:
 - When the full page has been processed in page mode
 - For each syndrome polynomial (checksum-like information) in continuous mode

For more information, see section *Error Location Module (ELM)* in chapter *Memory Subsystem* of the Device TRM.

6.6.4 OCMC

There is one on-chip memory controller (OCMC) in the device.

The OCM Controller supports the following features:

- L3_MAIN data interface:
 - Used for maximum throughput performance
 - 128-bit data bus width
 - Burst supported
- L4 interface (OCMC_RAM only):
 - Used for access to configuration registers
 - 32-bit data bus width
 - Only single accesses supported
 - The L4 associated OCMC clock is two times lower than the L3 associated OCMC clock
- Error correction and detection:
 - Single error correction and dual error detection
 - 9-bit Hamming error correction code (ECC) calculated on 128-bit data word which is concatenated with memory address bits
 - Hamming distance of 4
 - Enable/Disable mode control through a dedicated register
 - Single bit error correction on a read transaction
 - Exclusion of repeated addresses from correctable error address trace history
 - ECC valid for all write transactions to an enabled region
 - Sub-128-bit writes supported via read modify write
- ECC Error Status Reporting:
 - Trace history buffer (FIFO) with depth of 4 for corrected error address
 - Trace history buffer with depth of 4 for non correctable error address and also including double error detection
 - Interrupt generation for correctable and uncorrectable detected errors
- ECC Diagnostics Configuration:
 - Counters for single error correction (SEC), double error detection (DED) and address error events (AEE)
 - Programmable threshold registers for exceptions associated with SEC, DED and AEE counters
 - Register control for enabling and disabling of diagnostics
 - Configuration registers and ECC status accessible through L4 interconnect
- Circular buffer for sliced based VIP frame transfers:
 - Up to 12 programmable circular buffers mapped with unique virtual frame addresses
 - On the fly (with no additional latency) address translation from virtual to OCMC circular buffer memory space
 - Virtual frame size up to 8 MiB and circular buffer size up to 1 MiB
 - Error handling and reporting of illegal CBUF addressing
 - Underflow and Overflow status reporting and error handling
 - Last access read/write address history

- Two Interrupt outputs configured independently to service either ECC or CBUF interrupt events

The OCM controller does not have a memory protection logic and does not support endianness conversion.

For more information, see section *On-Chip Memory (OCM)* in chapter *Memory Subsystem* of the Device TRM.

6.7 Interprocessor Communication

6.7.1 MailBox

Communication between the on-chip processors of the device uses a queued mailbox-interrupt mechanism.

The queued mailbox-interrupt mechanism allows the software to establish a communication channel between two processors through a set of registers and associated interrupt signals by sending and receiving messages (mailboxes).

The device implements the following mailbox types:

- System mailbox:
 - Number of instances: 13
 - Used for communication between: MPU, DSP1, IPU1, and IPU2 subsystems
 - Reference name: MAILBOX(1..13)
- IVA mailbox:
 - Number of instances: 1
 - Used for communication between: IVA local user (ICONT1, or ICONT2) and three external users (selected among MPU, DSP1, IPU1, and IPU2 subsystems)
 - Reference name: IVA_MBOX

Each mailbox module supports the following features:

- Parameters configurable at design time
 - Number of users
 - Number of mailbox message queues
 - Number of messages (FIFO depth) for each message queue
- 32-bit message width
- Message reception and queue-not-full notification using interrupts
- Support of 16-/32-bit addressing scheme
- Power management support

For more information, see chapter *MailBox* of the Device TRM.

6.7.2 Spinlock

The Spinlock module provides hardware assistance for synchronizing the processes running on multiple processors in the device:

- Cortex®-A15 microprocessor unit (MPU) subsystem
- Digital signal processor (DSP) subsystem – DSP1
- Dual Cortex-M4 image processing unit (IPU) subsystems – IPU1 and IPU2

The Spinlock module implements 256 spinlocks (or hardware semaphores), which provide an efficient way to perform a lock operation of a device resource using a single read-access, avoiding the need of a read-modify- write bus transfer that the programmable cores are not capable of.

For more information, see chapter *Spinlock Module* of the Device TRM.

6.8 Interrupt Controller

The device has a large number of interrupts to service the needs of its many peripherals and subsystems. The MPU, DSP, and IPU (x2) subsystems are capable of servicing these interrupts via their integrated interrupt controllers. In addition, each processor's interrupt controller is preceded by an Interrupt Controller Crossbar (IRQ_CROSSBAR) that provides flexibility in mapping the device interrupts to processor interrupt inputs. For more information about IRQ crossbar, see chapter *Control Module* of the Device TRM.

Cortex®-A15 MPU Subsystem Interrupt Controller (MPU_INTC)

The MPU_INTC module (also called Generalized Interrupt Controller [GIC]) is a single functional unit that is integrated in the Arm® Cortex-A15 multiprocessor core (MPCore) alongside Cortex-A15 processor. It provides:

- 160 hardware interrupt inputs
- Generation of interrupts by software
- Prioritization of interrupts
- Masking of any interrupts
- Distribution of the interrupts to the target Cortex-A15 processor(s)
- Tracking the status of interrupts

The Cortex-A15 processor supports three main groups of interrupt sources, with each interrupt source having a unique ID:

- *Software Generated Interrupts (SGIs)*: SGIs are generated by writing to the Cortex-A15 Software Generated Interrupt Register (GICD_SGIR). A maximum of 16 SGIs (ID0–ID15) can be generated for the CPU interface. An SGI has edge-triggered properties. The software triggering of the interrupt is equivalent to the edge transition of the interrupt signal on a peripheral input.
- *Private Peripheral Interrupts (PPIs)*: A PPI is an interrupt generated by a peripheral that is specific to the processor. Although interrupts ID16–ID31 are dedicated to PPIs in general, only seven PPIs are actually used for the CPU interface (ID25–ID31). Interrupts ID16–ID24 are reserved (not used).
- *Shared Peripheral Interrupts (SPIs)*: SPIs are triggered by events generated on associated interrupt input lines. In this device, the GIC is configured to support 160 SPIs corresponding to its external IRQS[159:0] signals.

For detailed information about this module and description of SGIs and PPIs, see the Arm *Cortex-A15 MPCore Technical Reference Manual* (available at infocenter.arm.com/help/index.jsp).

C66x DSP Subsystem Interrupt Controller (DSP1_INTC)

The DSP1 subsystem integrates an interrupt controller - DSP1_INTC, which interfaces the system events to the C66x core interrupt and exceptions inputs. It combines up to 128 interrupts into 12 prioritized interrupts presented to the C66x CPU.

For detailed information about this module, see chapter *DSP Subsystem* of the Device TRM.

Dual Cortex-M4 IPU Subsystem Interrupt Controller (IPUx_Cx_INTC, where x = 1, 2)

There are two Image Processing Unit (IPU) subsystems in the device - IPU1, and IPU2. Each IPU subsystem integrates two Arm Cortex-M4 cores.

A Nested Vectored Interrupt Controller (NVIC) is integrated within each Cortex-M4. The interrupt mapping is the same (per IPU) for the two cores to facilitate parallel processing. The NVIC supports:

- 64 external interrupts (in addition to 16 Cortex-M4 internal interrupts), which are dynamically prioritized with 16 levels of priority defined for each core
- Low-latency exception and interrupt handling
- Prioritization and handling of exceptions
- Control of the local power management
- Debug accesses to the processor core

For detailed information about this module, refer to *Arm Cortex-M4 Technical Reference Manual* (available at infocenter.arm.com/help/index.jsp).

6.9 EDMA

The primary purpose of the Enhanced Direct Memory Access (EDMA) controller is to service user-programmed data transfers between two memory-mapped slave endpoints on the device.

Typical usage of the EDMA controller includes:

- Servicing software-driven paging transfers (for example, data movement between external memory [such as SDRAM] and internal memory [such as DSP L2 SRAM])
- Servicing event-driven peripherals, such as a serial port
- Performing sorting or sub-frame extraction of various data structures
- Offloading data transfers from the main device CPUs, such as the C66x DSP CorePac or the Arm CorePac

The EDMA controller consists of two major principle blocks:

- EDMA Channel Controller
- EDMA Transfer Controller(s)

The EDMA Channel Controller (EDMACC) serves as the user interface for the EDMA controller. The EDMACC includes parameter RAM (PaRAM), channel control registers, and interrupt control registers. The EDMACC serves to prioritize incoming software requests or events from peripherals and submits transfer requests (TR) to the EDMA transfer controller.

The EDMA Transfer Controller (EDMATC) is responsible for data movement. The transfer request packets (TRP) submitted by the EDMACC contain the transfer context, based on which the transfer controller issues read/write commands to the source and destination addresses programmed for a given transfer.

There are two EDMA controllers present on this device:

- EDMA_0, integrating:
 - 1 Channel Controller, referenced as: EDMACC_0
 - 2 Transfer Controllers, referenced as: EDMACC_0_TC_0 (or EDMATC_0) and EDMACC_0_TC_1 (or EDMATC_1)
- EDMA_1, integrating:
 - 1 Channel Controller, referenced as: EDMACC_1
 - 2 Transfer Controllers, referenced as: EDMACC_1_TC_0 (or EDMATC_2) and EDMACC_1_TC_1 (or EDMATC_3)

The two EDMA channel controllers (EDMACC_0 and EDMACC_1) are functionally identical. For simplification, the unified name EDMACC shall be regularly used throughout this chapter when referring to EDMA Channel Controllers functionality and features.

The four EDMA transfer controllers (EDMACC_0_TC_0, EDMACC_0_TC_1, EDMACC_1_TC_0 and EDMACC_1_TC_1) are functionally identical. For simplification, the unified name EDMATC shall be regularly used throughout this chapter when referring to EDMA Transfer Controllers functionality and features.

Each EDMACC has the following features:

- Fully orthogonal transfer description
 - 3 transfer dimensions:
 - Array (multiple bytes)
 - Frame (multiple arrays)
 - Block (multiple frames)
 - Single event can trigger transfer of array, frame, or entire block
 - Independent indexes on source and destination

- Flexible transfer definition
 - Increment or constant addressing modes
 - Linking mechanism allows automatic PaRAM set update
 - Chaining allows multiple transfers to execute with one event
- 64 DMA channels
 - Channels triggered by either:
 - Event synchronization
 - Manual synchronization (CPU write to event set register)
 - Chain synchronization (completion of one transfer triggers another transfer)
 - Support for programmable DMA Channel to PaRAM mapping
- 8 Quick DMA (QDMA) channels
 - QDMA channels are triggered automatically upon writing to PaRAM set entry
 - Support for programmable QDMA channel to PaRAM mapping
- 512 PaRAM sets
 - Each PaRAM set can be used for a DMA channel, QDMA channel, or link set
- 2 transfer controllers/event queues
 - 16 event entries per event queue
- Interrupt generation based on:
 - Transfer completion
 - Error conditions
- Debug visibility
 - Queue water marking/threshold
 - Error and status recording to facilitate debug
- Memory protection support
 - Proxied memory protection for TR submission
 - Active memory protection for accesses to PaRAM and registers

Each EDMATC has the following features:

- Supports 2-dimensional (2D) transfers with independent indexes on source and destination (EDMACC manages the 3rd dimension)
- Up to 4 in-flight transfer requests (TR)
- Programmable priority levels
- Support for increment or constant addressing mode transfers
- Interrupt and error support
- Supports only little-endian operation in this device
- Memory mapped register (MMR) bit fields are fixed position in 32-bit MMR

For more information chapter *EDMA Controller* of the Device TRM.

6.10 Peripherals

6.10.1 VIP

The VIP module provides video capture functions for the device. VIP incorporates a multi-channel raw video parser, various video processing blocks, and a flexible Video Port Direct Memory Access (VPDMA) engine to store incoming video in various formats. The device uses a single instantiation of the VIP module giving the ability of capturing up to two video streams.

A VIP module includes the following main features:

- Two independently configurable external video input capture slices (Slice 0 and Slice 1) each of which has two video input ports, Port A and Port B, where Port A can be configured as a 24/16/8-bit port, and Port B is a fixed 8-bit port.
- Each video Port A can be operated as a port with clock independent input channels (with interleaved or separated Y/C data input). Embedded sync and external sync modes are supported for all input configurations.
- Support for a single external asynchronous pixel clock, up to 165MHz per port.
- Pixel Clock Input Domain Port A supports up to one 24-bit input data bus, including BT.1120 style embedded sync for 16-bit and 24-bit data.
- Embedded Sync data interface mode supports single or multiplexed sources
- Discrete Sync data interface mode supports only single source input
- 24-bit data input plus discrete syncs can be configured to include:
 - 8-bit YUV422 (Y and U/V time interleaved)
 - 16-bit YUV422 (CbY and CrY time interleaved)
 - 24-bit YUV444
 - 16-bit RGB565
 - 24-bit RGB888
 - 12/16-bit RAW Capture
 - 24-bit RAW capture
- Discrete sync modes include:
 - VSYNC + HSYNC (FID determined by FID signal pin or HSYNC/VSYNC skew)
 - VSYNC + ACTVID + FID
 - VBLANK + ACTVID (ACTVID toggles in VBLANK) + FID
 - VBLANK + ACTVID (no ACTVID toggles in VBLANK) + FID
- Multichannel parser (embedded syncs only)
 - Embedded syncs only
 - Pixel (2x or 4x) or Line multiplexed modes supported
 - Performs demultiplexing and basic error checking
 - Supports maximum of 9 channels in Line Mux (8 normal + 1 split line)
- Ancillary data capture support
 - For 16-bit or 24-bit input, ancillary data may be extracted from any single channel
 - For 8-bit time interleaved input, ancillary data can be chosen from the Luma channel, the Chroma channel, or both channels
 - Horizontal blanking interval data capture only supported when using discrete syncs (VSYNC + HSYNC or VSYNC + HBLANK)
 - Ancillary data extraction supported on multichannel capture as well as single source streams

- Format conversion and scaling
 - Programmable color space conversion
 - YUV422 to YUV444 conversion
 - YUV444 to YUV422 conversion
 - YUV422 to YUV420 conversion
 - YUV444 Source: YUV444 to YUV444, YUV444 to RGB888, YUV444 to YUV422, YUV444 to YUV420
 - RGB888 Source: RGB888 to RGB888, RGB888 to YUV444, RGB888 to YUV422, RGB888 to YUV420
 - YUV422 Source: YUV422 to YUV422, YUV422 to YUV420, YUV422 to YUV444, YUV422 to RGB888
 - Supports RAW to RAW (no processing)
 - Scaling and format conversions do not work for multiplexed input
- Supports up to 2047 pixels wide input - when scaling is engaged
- Supports up to 3840 pixels wide input - when only chroma up/down sampling is engaged, without scaling
- Supports up to 4095 pixels wide input - without scaling and chroma up/down sampling
- The maximum supported input resolution is further limited by:
 - Pixel clock and feature-dependent constraints
 - For RGB24-bit format (RAW data), the maximum frame width is limited to 2730 pixels

For more information, see chapter *Video Input Port* of the Device TRM

6.10.2 DSS

Display Port Interfaces (DPI) is available in DSS named DPI Video Output (VOUT).

VOUT interface consists of:

- 24-bit data bus (data[23:0])
- Horizontal synchronization signal (HSYNC)
- Vertical synchronization signal (VSYNC)
- Data enable (DE)
- Field ID (FID)
- Pixel clock (CLK)

For more information, see section *Display Subsystem (DSS)* of the Device TRM.

6.10.3 Timers

The device includes several types of timers used by the system software, including 16 general-purpose (GP) timers, one watchdog timer, and a 32-kHz synchronized timer (COUNTER_32K).

6.10.3.1 General-Purpose Timers

The device has 16 GP timers: TIMER1 through TIMER16.

- TIMER1(1ms tick): has its event capture pin tied to 32KHz clock and can be used to gauge the system clock input and detects its frequency among 19.2, 20, or 27 MHz. It includes a specific functions to generate accurate tick interrupts to the operating system and it belongs to the PD_WKUPAON domain
- TIMER2 and TIMER10: (1ms tick timers): they include a specific functions to generate accurate tick interrupts to the operating system, TIMER2 and TIMER10 belong to the PD_L4PER domain
- TIMER3/4/9/11/13/14/15/16: they belongs to the PD_L4PER domain
- TIMER12 belongs to the PD_WKUPAON power domain
- TIMER5 trough TIMER8: belong to the PD_IPU module

Each timer (except TIMER12) can be clocked from the system clock (19.2, 20, or 27 MHz) or the 32-kHz clock. The selection of clock source is made at the power, reset, and clock management (PRCM) module level. TIMER12 can be clocked only from the internal oscillator (on-die oscillator)

The following are the main features of the GP timer controllers:

- Level 4 (L4) slave interface support:
 - 32-bit data bus width
 - 32-/16-bit access supported
 - 8-bit access not supported
 - 10-bit address bus width
 - Burst mode not supported
 - Write nonposted transaction mode supported
- Interrupts generated on overflow, compare, and capture
- Free-running 32-bit upward counter
- Compare and capture modes
- Autoreload mode
- Start/stop mode
- Programmable divider clock source (2^n , where $n = [0:8]$)
- Dedicated input trigger for capture mode and dedicated output trigger/PWM signal
- Dedicated GP output signal for using the `TIMERi_GPO_CFG` signal
- On-the-fly read/write register (while counting)
- 1-ms tick with 32.768-Hz functional clock generated (only TIMER1, TIMER2, and TIMER10)

For more information, see section *Timers* of the Device TRM.

6.10.3.2 32-kHz Synchronized Timer (COUNTER_32K)

The 32-kHz synchronized timer (COUNTER_32K) is a 32-bit counter clocked by the falling edge of the 32-kHz system clock.

The main features of the 32-kHz synchronized timer controller are:

- L4 slave interface (OCP) support:
 - 32-bit data bus width
 - 32-/16-bit access supported
 - 8-bit access not supported
 - 16-bit address bus width
 - Burst mode not supported
 - Write nonposted transaction mode not supported
- Only read operations are supported on the module registers; no write operation is supported (no error/no action on write).
- Free-running 32-bit upward counter
- Start and keep counting after power-on reset
- Automatic roll over to 0; highest value reached: 0xFFFF FFFF
- On-the-fly read (while counting)

For more information, see section *Timers* of the Device TRM.

6.10.3.3 Watchdog Timer

The device includes one instance of the 32-bit watchdog timer: `WD_TIMER2`.

The watchdog timer is an upward counter capable of generating a pulse on the reset pin and an interrupt to the device system modules following an overflow condition. The WD_TIMER2 timer serves resets to the PRCM module (its interrupt outputs are unused).

WD_TIMER2 is located in the PD_WKUPAON power domain, and can run when the device is in lowest power state (all power domains are off except always-on (AON) and WKUP).

The watchdog timer can be accessed, loaded, and cleared by registers through the L4_WKUP interface. The watchdog timer has the 32-kHz clock for its timer clock input. WD_TIMER2 directly generates a warm reset condition on overflow.

WD_TIMER2 connects to a single target agent port on the L4_WKUP interconnect.

The main features of the watchdog timer controllers are:

- L4 slave interface support:
 - 32-bit data bus width
 - 32-/16-bit access supported
 - 8-bit access not supported
 - 11-bit address bus width
 - Burst mode not supported
 - Write nonposted mode supported
- Free-running 32-bit upward counter
- Programmable divider clock source (2^n where $n = [0:7]$)
- On-the-fly read/write register (while counting)
- Subset programming model of the GP timer
- The watchdog timer is reset either on power on or after a warm reset before it starts counting.
- Reset or interrupt actions when a timer overflow condition occurs
- The watchdog timer generates a reset or an interrupt in its hardware integration.

For more information, see section *Timers* of the Device TRM.

6.10.4 I2C

The device contains five multimaster high-speed (HS) inter-integrated circuit (I²C) controllers (I2C_{*i*} modules, where $i = 1, 2, 3, 4, 5$) each of which provides an interface between a local host (LH), such as a digital signal processor (DSP), and any I²C-bus-compatible device that connects through the I²C serial bus. External components attached to the I²C bus can serially transmit and receive up to 8 bits of data to and from the LH device through the 2-wire I²C interface.

Each multimaster HS I²C controller can be configured to act like a slave or master I²C-compatible device.

I²C1 and I²C2 controllers have dedicated I²C compliant open drain buffers, and support Fast mode (up to 400Kbps).

I²C3, I²C4 and I²C5 controllers are multiplexed with standard LVCMOS IO and connected to emulate open drain. I²C emulation is achieved by configuring the LVCMOS buffers to output Hi-Z instead of driving high when transmitting logic 1. These controllers support HS mode (up to 3.4Mbps).

For more information, see section *Multimaster High-Speed I2C Controller (I2C)* in chapter *Serial Communication Interfaces* of the Device TRM.

6.10.5 UART

The UART is a simple L4 slave peripheral that utilizes the DMA_SYSTEM or EDMA for data transfer or IRQ polling via CPU. There are 10 UART modules in the device. Only one UART supports IrDA features. Each UART can be used for configuration and data exchange with a number of external peripheral devices or interprocessor communication between devices.

6.10.5.1 UART Features

The UART_i (where $i = 1$ to 10) include the following features:

- 16C750 compatibility
- 64-byte FIFO buffer for receiver and 64-byte FIFO for transmitter
- Programmable interrupt trigger levels for FIFOs
- Baud generation based on programmable divisors N (where $N = 1 \dots 16,384$) operating from a fixed functional clock of 48 MHz or 192 MHz

Oversampling is programmed by software as 16 or 13. Thus, the baud rate computation is one of two options:

- Baud rate = (functional clock / 16) / N
- Baud rate = (functional clock / 13) / N
- This software programming mode enables higher baud rates with the same error amount without changing the clock source
- Break character detection and generation
- Configurable data format:
 - Data bit: 5, 6, 7, or 8 bits
 - Parity bit: Even, odd, none
 - Stop-bit: 1, 1.5, 2 bit(s)
- Flow control: Hardware (RTS/CTS) or software (XON/XOFF)
- The 48 MHz functional clock option allows baud rates up to 3.6Mbps
- The 192 MHz functional clock option allows baud rates up to 12Mbps
- UART1 module has extended modem control signals (DCD, RI, DTR, DSR)
- UART3 supports IrDA

6.10.5.2 IrDA Features

UART3 supports the following IrDA key features:

- Support of IrDA 1.4 slow infrared (SIR), medium infrared (MIR), and fast infrared (FIR) communications:
 - Frame formatting: Addition of variable beginning-of-frame (xBOF) characters and end-of-frame (EOF) characters
 - Uplink/downlink cyclic redundancy check (CRC) generation/detection
 - Asynchronous transparency (automatic insertion of break character)
 - Eight-entry status FIFO (with selectable trigger levels) to monitor frame length and frame errors
 - Framing error, CRC error, illegal symbol (FIR), and abort pattern (SIR, MIR) detection

6.10.5.3 CIR Features

The CIR mode uses a variable pulse-width modulation (PWM) technique (based on multiples of a programmable t period) to encompass the various formats of infrared encoding for remote-control applications. The CIR logic transmits data packets based on a user-definable frame structure and packet content.

The CIR (UART3 only) includes the following features to provide CIR support for remote-control applications:

- Transmit mode only (receive mode is not supported)
- Free data format (supports any remote-control private standards)
- Selectable bit rate
- Configurable carrier frequency
- 1/2, 5/12, 1/3, or 1/4 carrier duty cycle

For more information, see section *Universal Asynchronous Receiver/Transmitter (UART)* in chapter *Serial Communication Interfaces* of the Device TRM.

6.10.6 McSPI

The McSPI is a master/slave synchronous serial bus. There are four separate McSPI modules (McSPI1, McSPI2, McSPI3, and McSPI4) in the device. All these four modules support up to four external devices (four chip selects) and are able to work as both master and slave.

The McSPI modules include the following main features:

- Serial clock with programmable frequency, polarity, and phase for each channel
- Wide selection of McSPI word lengths, ranging from 4 to 32 bits
- Up to four master channels, or single channel in slave mode
- Master multichannel mode:
 - Full duplex/half duplex
 - Transmit-only/receive-only/transmit-and-receive modes
 - Flexible input/output (I/O) port controls per channel
 - Programmable clock granularity
 - McSPI configuration per channel. This means, clock definition, polarity enabling and word width
- Single interrupt line for multiple interrupt source events
- Power management through wake-up capabilities
- Enable the addition of a programmable start-bit for McSPI transfer per channel (start-bit mode)
- Supports start-bit write command
- Supports start-bit pause and break sequence
- Programmable timing control between chip select and external clock generation
- Built-in FIFO available for a single channel

For more information, see section *Serial Peripheral Interface (McSPI)* in chapter *Serial Communication Interfaces* of the Device TRM.

6.10.7 QSPI

The quad serial peripheral interface (QSPI™) module is a kind of SPI module that allows single, dual, or quad read access to external SPI devices. This module has a memory mapped register interface, which provides a direct interface for accessing data from external SPI devices and thus simplifying software requirements. The QSPI works as a master only.

The QSPI supports the following features:

- General SPI features:
 - Programmable clock divider
 - Six pin interface
 - Programmable length (from 1 to 128 bits) of the words transferred
 - Programmable number (from 1 to 4096) of the words transferred
 - 4 external chip-select signals
 - Support for 3-, 4-, or 6-pin SPI interface
 - Optional interrupt generation on word or frame (number of words) completion
 - Programmable delay between chip select activation and output data from 0 to 3 QSPI clock cycles
 - Programmable signal polarities
 - Programmable active clock edge
 - Software-controllable interface allowing for any type of SPI transfer
 - Control through L3_MAIN configuration port
- Serial flash interface (SFI) features:
 - Serial flash read/write interface
 - Additional registers for defining read and write commands to the external serial flash device
 - 1 to 4 address bytes
 - Fast read support, where fast read requires dummy bytes after address bytes; 0 to 3 dummy bytes can be configured.
 - Dual read support
 - Quad read support
 - Little-endian support only
 - Linear increment addressing mode only

The QSPI supports only dual and quad reads. Dual or quad writes are not supported. In addition, there is no "pass through" mode supported where the data present on the QSPI input is sent to its output.

For more information, see section *Quad Serial Peripheral Interface (QSPI)* in chapter *Serial Communication Interfaces* of the Device TRM.

6.10.8 McASP

The McASP functions as a general-purpose audio serial port optimized to the requirements of various audio applications. The McASP module can operate in both transmit and receive modes. The McASP is useful for time-division multiplexed (TDM) stream, Inter-IC Sound (I2S) protocols reception and transmission as well as for an intercomponent digital audio interface transmission (DIT). The McASP has the flexibility to gluelessly connect to a Sony/Philips digital interface (S/PDIF) transmit physical layer component.

Although intercomponent digital audio interface reception (DIR) mode (i.e. S/PDIF stream receiving) is not natively supported by the McASP module, a specific TDM mode implementation for the McASP receivers allows an easy connection to external DIR components (for example, S/PDIF to I2S format converters).

The device have integrated 8 McASP modules (McASP1-McASP8) with:

- McASP1 and McASP2 supporting 16 channels with independent TX/RX clock/sync domain
- McASP3 through McASP7 modules supporting 4 channels with independent TX/RX clock/sync domain

- McASP8 supporting 2 channels with independent TX/RX clock/sync domain

For more information, see section *Multichannel Audio Serial Port (McASP)* in chapter *Serial Communication Interfaces* of the Device TRM.

6.10.9 USB

SuperSpeed USB DRD Subsystem has three instances in the device providing the following functions:

- USB1: SuperSpeed (SS) USB 3.0 Dual-Role-Device (DRD) subsystem with integrated SS (USB3.0) PHY and HS/FS (USB2.0) PHY
- USB2: High-Speed (HS) USB 2.0 Dual-Role-Device (DRD) subsystem with integrated HS/FS PHY

SuperSpeed USB DRD Subsystem has the following features:

- Dual-role-device (DRD) capability:
 - Supports USB Peripheral (or Device) mode at speeds SS (5Gbps)(USB1 only), HS (480 Mbps), and FS (12 Mbps)
 - Supports USB Host mode at speeds SS (5Gbps)(USB1 only), HS (480 Mbps), FS (12 Mbps), and LS (1.5 Mbps)
 - USB static peripheral operation
 - USB static host operation
 - Flexible stream allocation
 - Stream priority
 - External Buffer Control
- Each instance contains single xHCI controller with the following features:
 - Internal DMA controller
 - Descriptor caching and data prefetching
 - Interrupt moderation and blocking
 - Power management USB3.0 states for U0, U1, U2, and U3
 - Dynamic FIFO memory allocation for all endpoints
 - Supports all modes of transfers (control, bulk, interrupt, and isochronous)
 - Supports high bandwidth ISO mode
- Connects to an external charge pump for VBUS 5 V generation
- USB-HS PHY (USB2PHY1 and USB2PHY2 for USB1 and USB2, respectively): contain the USB functions, drivers, receivers, and pads for correct D+/D– signalling

For more information, see section *SuperSpeed USB DRD (USB)* in chapter *Serial Communication Interfaces* of the Device TRM.

6.10.10 PCIe

The Peripheral Component Interconnect Express (PCIe) module is a multi-lane I/O interconnect that provides low pin-count, high reliability, and high-speed data transfer at rates of up to 5.0 Gbps per lane, per direction, for serial links on backplanes and printed wiring boards. It is a 3-rd Generation I/O Interconnect technology succeeding PCI and ISA bus that is designed to be used as a general-purpose serial I/O interconnect. It is also used as a bridge to other interconnects like USB2/3.0, GbE MAC, and so forth.

The PCI Express standard predecessor - PCI, is a parallel bus architecture that is increasingly difficult to scale-up in bandwidth, which is usually performed by increasing the number of data signal lines. The PCIe architecture was developed to help minimize I/O bus bottlenecks within systems and to provide the necessary bandwidth for high-speed, chip-to-chip, and board-to-board communications within a system. It is designed to replace the PCI-based shared, parallel bus signaling technology that is approaching its practical performance limits while simplifying the interface design.

The device instantiates two PCIe subsystems (PCIe_SS1 and PCIe_SS2). The PCIe controller is capable to operate either in Root Complex (RC) or in End Point (EP) PCIe mode. The device PCIe_SS1 controller supports up to two 16-bit data lanes on its PIPE port. The device PCIe_SS2 controller supports only one 16-bit data lane on its PIPE port.

When the PCIe_SS1 controller PIPE port is configured to operate in a single-lane mode, it operates on a single pair of PCIe PHY serializer and deserializer - PCIe1_PHY_TX/PCIe1_PHY_RX. When PCIe_SS1 PIPE is configured to operate in dual-lane mode, it operates on two pairs of PCIe PHY serializer and deserializer - PCIe1_PHY_TX/PCIe1_PHY_RX and PCIe2_PHY_TX/PCIe2_PHY_RX, respectively. The single-lane PCIe_SS2 controller PIPE port (if enabled) can operate only on the PCIe2_PHY_TX/PCIe2_PHY_RX pair. Hereby, if PCIe_SS2 controller is used, the PCIe_SS1 can operate only in a single-lane mode on the PCIe1_PHY_TX/PCIe1_PHY_RX. In addition, PCIe PHY subsystem encompasses a PCIe PCS (physical coding sublayer), a PCIe power management logic, APLL, a DPLL reference clock generator and an APLL clock low-jitter buffer.

- The PCIe Controller implements the transport and link layers of the PCIe interface protocol.
- PCIe PCS (a physical coding sublayer component) converts a 8-bit portion of parallel data over a PCIe lane to a 10-bit parallel data to adapt the process of serialization and deserialization in the TX/RX PHYs to various requirements. At the same time it transforms the transmission rate to maintain the PCIe Gen2 bandwidth (5 Gbps) on both sides (PCIe controller and PHY).
- A multiplexer logic which adds flexibility to connect a PCIe controller hardware mapped PCS logic output to a single (for the single-lane PCIe_SS2 controller) or to a couple (for the 2-lane PCIe_SS1 controller) of PHY ports at a time
- Physical layer (PHY) serializer/deserializer components with associated power control logic, building the so called PMA (physical media attachment) part of the PCIe_PHY transceiver, as follows:
 - PCIe physical port 0 associated serializer (TX) - PCIe1_PHY_TX and deserializer (RX) - PCIe1_PHY_RX
 - PCIe physical port 1 associated serializer (TX) - PCIe2_PHY_TX and deserializer (RX) - PCIe2_PHY_RX
- DPLL_PCIE_REF is a DPLL clock source, controlled from the device PRCM, that provides a 100-MHz clock to the PCIe PHY serializer/deserializer components reference clock inputs.
- Both the PCIe_SS1 and PCIe_SS2 share the same APLL (APLLPCIe) which by default multiplies the DPLL_PCIE_REF (typically 100 MHz or 20 MHz) clock to 2.5 GHz.
- The APLLPCIe low-jitter buffer (ACSPCIE) and additional logic takes care to provide the PCIe APLL reference input clock.

PCIe module supports the following features:

- PCI Local Bus Specification revision 3.0
- PCI Express Base 3.0 Specification, revision 1.0.

At system level the device supports PCI express interface in the following configurations:

- Each PCIe subsystem controller has support for PCIe Gen2 mode (5.0 Gbps per lane) and Gen1 mode (2.5 Gbps per lane).
- One PCIe (PCIe_SS1) operates as Gen2 2-lanes supporting in either root-complex (RC) or end-point EP.
- Two PCIe (PCIe_SS1 and PCIe_SS2) operates Gen2 1-lane supporting either RC or EP with the possibility of one operating in Gen1 and one in Gen2.
- PCIe_SS1 can be configured to operate in either 2-Lane (dual lane) or 1-Lane (single lane) mode, as follows:
 - Single Lane - lane 0 mapped to the PCIe port 0 of the device
 - Flexible dual lane configuration - lanes 0 and 1 can be swapped on the two PCIe ports

- PCIe_SS2 can only operate in 1-Lane mode, as follows:
 - Single Lane - lane 0 mapped to the device PCIe port 1
 When PCIe_SS1 is configured to operate in dual-lane mode, PCIe_SS2 is in-operable as both PCIe1_PHY_RX/TX and PCIe2_PHY_RX/TX are assigned to PCIe_SS1, and thereby NOT available to PCIe_SS2.

The main features of a device PCIe controller are:

- 16-bit operation at 250 MHz on PIPE interface (per 16-bit lane)
- One master port on the L3_MAIN supporting 32-bit address and 64-bit data bus.
- PCIe_SS1 master port dedicated MMU (device MMU2) on L3_MAIN path, to which PCIe traffic can be optionally mapped.
- One slave port on the L3_MAIN supporting 29-bit address and 64-bit data bus.
- Maximum outbound payload size of 64 Bytes (the L3 Interconnect PCIe1/2 target ports split bursts of size >64 Bytes to the into multiple 64 Byte bursts)
- Maximum inbound payload size of 256 Bytes (internally converted to 128 Byte - bursts)
- No remote read request size limit: implicit support for 4 KiB-size and greater
- Support of EP legacy mode
- Support of inbound I/O accesses in EP legacy mode
- PIPE interface features fixed-width (16-bit data per lane) and dynamic frequency to switch between PCIe Gen1 and Gen2.
- Ultra-low transmit and receive latency
- Automatic Lane reversal as specified in the PCI Express Base 3.0 Specification, revision 1.0 (transmit and receive)
- Polarity inversion on receive
- Single Virtual Channel (VC0) and Single Traffic Class (TC0)
- Single Function in End point mode
- Automatic credit management
- ECRC generation and checking
- All PCI Device Power Management D-states with the exception of D3_{cold}/L2 state
- PCI Express Active State Power Management (ASPM) state L0s and L1 (with exceptions)
- PCI Express Link Power Management states except for L2 state
- PCI Express Advanced Error Reporting (AER)
- PCI Express messages for both transmit and receive
- Filtering for Posted, Non-Posted, and Completion traffic
- Configurable BAR filtering, I/O filtering, configuration filtering and completion lookup/timeout
- Access to configuration space registers and external application memory mapped registers through ECAM mechanism.
- Legacy PCI Interrupts reception (RC) and generation (EP)
- 2 x hardware interrupts per PCIe_SS1 and PCIe_SS2 controller mapped via the device Interrupt Crossbar (IRQ_CROSSBAR) to multiple device host (MPU, DSP, and so forth) interrupt controllers in the device
- MSIs generation and reception
- PCIe_PHY Loopback in RC mode

For more information, see section *PCIe Controller* in chapter *Serial Communication Interfaces* of the Device TRM.

6.10.11 DCAN

The Controller Area Network (CAN) is a serial communications protocol which efficiently supports distributed real-time applications. CAN has high immunity to electrical interference and the ability to self-diagnose and repair data errors. In a CAN network, many short messages are broadcast to the entire network, which provides for data consistency in every node of the system.

The device provides two DCAN interfaces for supporting distributed realtime control with a high level of security. The DCAN interfaces implement the following features:

- Supports CAN protocol version 2.0 part A, B
- Bit rates up to 1 MBit/s
- 64 message objects
- Individual identifier mask for each message object
- Programmable FIFO mode for message objects
- Programmable loop-back modes for self-test operation
- Suspend mode for debug support
- Software module reset
- Automatic bus on after Bus-Off state by a programmable 32-bit timer
- Direct access to Message RAM during test mode
- CAN Rx/Tx pins are configurable as general-purpose IO pins
- Two interrupt lines (plus additional parity-error interrupts line)
- RAM initialization
- DMA support

For more information, see section *Controller Area Network Interface (DCAN)* in chapter *Serial Communication Interfaces* of the Device TRM.

6.10.12 GMAC_SW

The three-port gigabit ethernet switch subsystem (GMAC_SW) provides ethernet packet communication and can be configured as an ethernet switch. It provides the gigabit media independent interface (G/MII) in MII mode, reduced gigabit media independent interface (RGMII), reduced media independent interface (RMII), and the management data input output (MDIO) for physical layer device (PHY) management.

The GMAC_SW subsystem provides the following features:

- Two Ethernet ports (port 1 and port 2) with selectable RGMII, RMII, and G/MII (in MII mode only) interfaces plus internal Communications Port Programming Interface (CPPI 3.1) on port 0
- Synchronous 10/100/1000 Mbit operation
- Wire rate switching (802.1d)
- Non-blocking switch fabric
- Flexible logical FIFO-based packet buffer structure
- Four priority level Quality Of Service (QOS) support (802.1p)
- CPPI 3.1 compliant DMA controllers
- Support for Audio/Video Bridging (P802.1Qav/D6.0)
- Support for IEEE 1588 Clock Synchronization (2008 Annex D and Annex F)
 - Timing FIFO and time stamping logic embedded in the subsystem
- Device Level Ring (DLR) Support
- Energy Efficient Ethernet (EEE) support (802.3az)
- Flow Control Support (802.3x)

- Address Lookup Engine (ALE)
 - 1024 total address entries plus VLANs
 - Wire rate lookup
 - Host controlled time-based aging
 - Multiple spanning tree support (spanning tree per VLAN)
 - L2 address lock and L2 filtering support
 - MAC authentication (802.1x)
 - Receive-based or destination-based multicast and broadcast rate limits
 - MAC address blocking
 - Source port locking
 - OUI (Vendor ID) host accept/deny feature
 - Remapping of priority level of VLAN or ports
- VLAN support
 - 802.1Q compliant
 - Auto add port VLAN for untagged frames on ingress
 - Auto VLAN removal on egress and auto pad to minimum frame size
- Ethernet Statistics:
 - EtherStats and 802.3Stats Remote network Monitoring (RMON) statistics gathering (shared)
 - Programmable statistics interrupt mask when a statistic is above one half its 32-bit value
- Flow Control Support (802.3x)
- Digital loopback and FIFO loopback modes supported
- Maximum frame size 2016 bytes (2020 with VLAN)
- 8k (2048 × 32) internal CPPI buffer descriptor memory
- Management Data Input/Output (MDIO) module for PHY Management
- Programmable interrupt control with selected interrupt pacing
- Emulation support
- Programmable Transmit Inter Packet Gap (IPG)
- Reset isolation (switch function remains active even in case of all device resets except for POR pin reset and ICEPICK cold reset)
- Full duplex mode supported in 10/100/1000 Mbps. Half-duplex mode supported only in 10/100 Mbps.
- IEEE 802.3 gigabit Ethernet conformant

For more information, see section *Gigabit Ethernet Switch (GMAC_SW)* in chapter *Serial Communication Interfaces* of the Device TRM.

6.10.13 eMMC/SD/SDIO

The eMMC/SD/SDIO host controller provides an interface between a local host (LH) such as a microprocessor unit (MPU) or digital signal processor (DSP) and either eMMC, SD® memory cards, or SDIO cards and handles eMMC/SD/SDIO transactions with minimal LH intervention.

Optionally, the controller is connected to the L3_MAIN interconnect to have a direct access to system memory. It also supports two direct memory access (DMA) slave channels or a DMA master access (in this case, slave DMA channels are deactivated) depending on its integration.

The eMMC/SD/SDIO host controller deals with eMMC/SD/SDIO protocol at transmission level, data packing, adding cyclic redundancy checks (CRCs), start/end bit, and checking for syntactical correctness.

The application interface can send every eMMC/SD/SDIO command and poll for the status of the adapter or wait for an interrupt request, which is sent back in case of exceptions or to warn of end of operation.

The application interface can read card responses or flag registers. It can also mask individual interrupt sources. All these operations can be performed by reading and writing control registers. The eMMC/SD/SDIO host controller also supports two DMA channels.

There are four eMMC/SD/SDIO host controllers inside the device. gives an overview of the eMMC/SD/SDIO_i (i = 1 to 4) controllers.

Each controller has the following data width:

- eMMC/SD/SDIO1 - 4-bit wide data bus
- eMMC/SD/SDIO2 - 8-bit wide data bus
- eMMC/SD/SDIO3 - 8-bit wide data bus
- eMMC/SD/SDIO4 - 4-bit wide data bus

The eMMC/SD/SDIO_i controller is also referred to as MMC_i.

Compliance with standards:

- Full compliance with MMC/eMMC command/response sets as defined in the JC64 MMC/eMMC standard specification, v4.5.
- Full compliance with SD command/response sets as defined in the SD Physical Layer specification v3.01
- Full compliance with SDIO command/response sets and interrupt/read-wait suspend-resume operations as defined in the SD part E1 specification v3.00
- Full compliance with SD Host Controller Standard Specification sets as defined in the SD card specification Part A2 v3.00

Main features of the eMMC/SD/SDIO host controllers:

- Flexible architecture allowing support for new command structure
- 32-bit wide access bus to maximize bus throughput
- Designed for low power
- Programmable clock generation
- Dedicated DLL to support SDR104 mode (MMC1 only)
- Dedicated DLL to support HS200 mode (MMC2 only)
- Card insertion/removal detection and write protect detection
- L4 slave interface supports:
 - 32-bit data bus width
 - 8/16/32 bit access supported
 - 9-bit address bus width
 - Streaming burst supported only with burst length up to 7
 - WNP supported
- L3 initiator interface Supports:
 - 32-bit data bus width
 - 8/16/32 bit access supported
 - 32-bit address bus width
 - Burst supported
- Built-in 1024-byte buffer for read or write
- Two DMA channels, one interrupt line
- Support JC 64 v4.4.1 boot mode operations
- Support SDA 3.00 Part A2 programming model
- Support SDA 3.00 Part A2 DMA feature (ADMA2)

- Supported data transfer rates:
 - MMCi supports the following SD v3.0 data transfer rates:
 - DS mode (3.3V IOs): up to 12 MBps (24 MHz clock)
 - HS mode (3.3V IOs): up to 24 MBps (48 MHz clock)
 - SDR12 (1.8V IOs): up to 12 MBps (24 MHz clock)
 - SDR25 (1.8V IOs): up to 24 MBps (48 MHz clock)
 - SDR50 (1.8V IOs): up to 48 MBps (96 MHz clock) - MMC1 and MMC3 only
 - DDR50 (1.8V IOs): up to 48 MBps (48 MHz clock) - MMC1 only
 - SDR104 (1.8V IOs) cards can be supported up to 192 MHz clock (96 MBps max) - MMC1 only
 - MMCi supports the Default SD mode 1-bit data transfer up to 24Mbps (3MBps)
 - Only MMC2 supports also the following JC64 v4.5 data transfer rates:
 - Up to 192 MBps in eMMC mode, 8-bit SDR mode (192 MHz clock frequency)
 - Up to 96 MBps in eMMC mode, 8-bit DDR mode (48 MHz clock frequency)
- All eMMC/SD/SDIO controllers are connected to 1.8V/3.3V compatible I/Os to support 1.8V/3.3V signaling

NOTE

eMMC functionality is supported fully by MMC2 only. The other MMC modules are capable of eMMC functionality, but are not timing-optimized for eMMC.

The differences between the eMMC/SD/SDIO host controllers and a standard SD host controller defined by the *SD Card Specification, Part A2, SD Host Controller Standard Specification, v3.0* are:

- The clock divider in the eMMC/SD/SDIO host controller supports a wider range of frequency than specified in the *SD Memory Card Specifications, v3.0*. The eMMC/SD/SDIO host controller supports odd and even clock ratio.
- The eMMC/SD/SDIO host controller supports configurable busy time-out.
- ADMA2 64-bit mode is not supported.
- There is no external LED control.

NOTE

Only even ratios are supported in DDR mode.

For more information, see chapter *eMMC/SD/SDIO* of the Device TRM.

6.10.14 GPIO

The general-purpose interface combines eight general-purpose input/output (GPIO) banks.

Each GPIO module provides 32 dedicated general-purpose pins with input and output capabilities; thus, the general-purpose interface supports up to 256 (8 × 32) pins. Since some of the pins are reserved in this Device, general-purpose interface supports up to 186 pins.

These pins can be configured for the following applications:

- Data input (capture)/output (drive)
- Keyboard interface with a debounce cell
- Interrupt generation in active mode upon the detection of external events. Detected events are processed by two parallel independent interrupt-generation submodules to support biprocessor operations.
- Wake-up request generation in idle mode upon the detection of external events

For more information, see section *General-Purpose Interface (GPIO)* of the Device TRM.

6.10.15 ePWM

An effective PWM peripheral must be able to generate complex pulse width waveforms with minimal CPU overhead or intervention. It needs to be highly programmable and very flexible while being easy to understand and use. The ePWM unit described here addresses these requirements by allocating all needed timing and control resources on a per PWM channel basis. Cross coupling or sharing of resources has been avoided; instead, the ePWM is built up from smaller single channel modules with separate resources and that can operate together as required to form a system. This modular approach results in an orthogonal architecture and provides a more transparent view of the peripheral structure, helping users to understand its operation quickly.

Each ePWM module supports the following features:

- **Dedicated 16-bit time-base counter with period and frequency control**
- **Two PWM outputs (EPWMxA and EPWMxB) that can be used in the following configurations:**
 - Two independent PWM outputs with single-edge operation
 - Two independent PWM outputs with dual-edge symmetric operation
 - One independent PWM output with dual-edge asymmetric operation
- **Asynchronous override control of PWM signals through software.**
- **Programmable phase-control support for lag or lead operation relative to other ePWM modules.**
- **Hardware-locked (synchronized) phase relationship on a cycle-by-cycle basis.**
- **Dead-band generation with independent rising and falling edge delay control.**
- **Programmable trip zone allocation of both cycle-by-cycle trip and one-shot trip on fault conditions.**
- **A trip condition can force either high, low, or high-impedance state logic levels at PWM outputs.**
- **Programmable event prescaling minimizes CPU overhead on interrupts.**
- **PWM chopping by high-frequency carrier signal, useful for pulse transformer gate drives.**

For more information, see section *Enhanced PWM (ePWM) Module* in chapter *Pulse-Width Modulation Subsystem* of the Device TRM.

6.10.16 eCAP

Uses for eCAP include:

- Sample rate measurements of audio inputs
- Speed measurements of rotating machinery (for example, toothed sprockets sensed via Hall sensors)
- Elapsed time measurements between position sensor pulses

- 4 stage sequencer (Mod4 counter) which is synchronized to external events (ECAPx pin edges)
- Period and duty cycle measurements of pulse train signals
- Decoding current or voltage amplitude derived from duty cycle encoded current/voltage sensors

The eCAP module includes the following features:

- 32-bit time base counter
- 4-event time-stamp registers (each 32 bits)
- Edge polarity selection for up to four sequenced time-stamp capture events
- Interrupt on either of the four events
- Single shot capture of up to four event time-stamps
- Continuous mode capture of time-stamps in a four-deep circular buffer
- Absolute time-stamp capture
- Difference (Delta) mode time-stamp capture
- All above resources dedicated to a single input pin
- When not used in capture mode, the ECAP module can be configured as a single channel PWM output

For more information, see section *Enhanced Capture (eCAP) Module* in chapter *Pulse-Width Modulation Subsystem* of the Device TRM.

6.10.17 eQEP

A single track of slots patterns the periphery of an incremental encoder disk, as shown in [Figure 6-2](#). These slots create an alternating pattern of dark and light lines. The disk count is defined as the number of dark/light line pairs that occur per revolution (lines per revolution). As a rule, a second track is added to generate a signal that occurs once per revolution (index signal: QEPI), which can be used to indicate an absolute position. Encoder manufacturers identify the index pulse using different terms such as index, marker, home position, and zero reference.

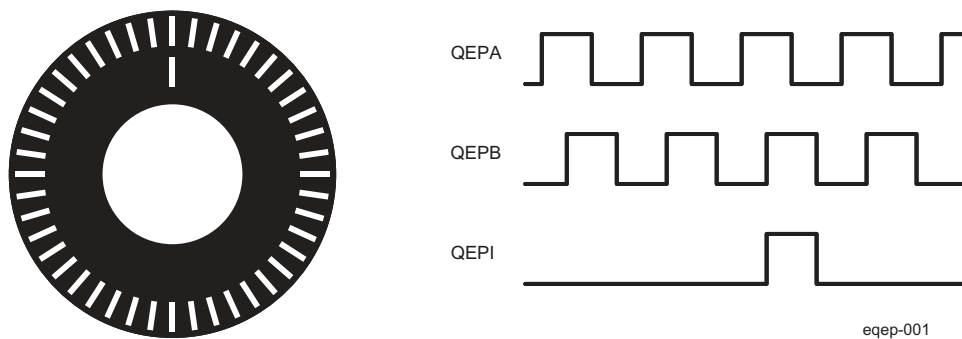


Figure 6-2. Optical Encoder Disk

To derive direction information, the lines on the disk are read out by two different photo-elements that "look" at the disk pattern with a mechanical shift of 1/4 the pitch of a line pair between them. This shift is realized with a reticle or mask that restricts the view of the photo-element to the desired part of the disk lines. As the disk rotates, the two photo-elements generate signals that are shifted 90 degrees out of phase from each other. These are commonly called the quadrature QEPA and QEPB signals. The clockwise direction for most encoders is defined as the QEPA channel going positive before the QEPB channel.

The encoder wheel typically makes one revolution for every revolution of the motor or the wheel may be at a geared rotation ratio with respect to the motor. Therefore, the frequency of the digital signal coming from the QEPA and QEPB outputs varies proportionally with the velocity of the motor. For example, a 2000-line encoder directly coupled to a motor running at 5000 revolutions per minute (rpm) results in a frequency of 166.6 KHz, so by measuring the frequency of either the QEPA or QEPB output, the processor can determine the velocity of the motor.

For more information, see section *Enhanced Quadrature Encoder Pulse (eQEP) Module* in chapter *Pulse-Width Modulation Subsystem* of the Device TRM.

6.11 On-chip Debug

Debugging a system that contains an embedded processor involves an environment that connects high-level debugging software running on a host computer to a low-level debug interface supported by the target device. Between these levels, a debug and trace controller (DTC) facilitates communication between the host debugger and the debug support logic on the target chip.

The DTC is a combination of hardware and software that connects the host debugger to the target system. The DTC uses one or more hardware interfaces and/or protocols to convert actions dictated by the debugger user to JTAG® commands and scans that execute the core hardware.

The debug software and hardware components let the user control multiple central processing unit (CPU) cores embedded in the device in a global or local manner. This environment provides:

- Synchronized global starting and stopping of multiple processors
- Starting and stopping of an individual processor
- Each processor can generate triggers that can be used to alter the execution flow of other processors

System topics include but are not limited to:

- System clocking and power-down issues
- Interconnection of multiple devices
- Trigger channels

For more information, see chapter *On-chip Debug* of the Device TRM.

The device deploys Texas Instrument's CTools debug technology for on-chip debug and trace support. It provides the following features:

- External debug interfaces:
 - Primary debug interface - IEEE1149.1 (JTAG) or IEEE1149.7 (complementary superset of JTAG)
 - Used for debugger connection
 - Default mode is IEEE1149.1 but debugger can switch to IEEE1149.7 via an IEEE1149.7 adapter module
 - Controls ICEPick (generic test access port [TAP] for dynamic TAP insertion) to allow the debugger to access several debug resources through its secondary (output) JTAG ports (for more information, see *ICEPick Secondary TAPs* section of the Device TRM).
 - Debug (trace) port
 - Can be used to export processor or system trace off-chip (to an external trace receiver)
 - Can be used for cross-triggering with an external device
 - Configured through debug resources manager (DRM) module instantiated in the debug subsystem
 - For more information about debug (trace) port, see *Debug (Trace) Port* and *Concurrent Debug Modes* sections of the Device TRM.
- JTAG based processor debug on:
 - Cortex-A15 in MPU
 - C66x in DSP1
 - Cortex-M4 (x2) in IPU1, IPU2
 - Arm968 (x2) in IVA
- Dynamic TAP insertion
 - Controlled by ICEPick
 - For more information, see , *Dynamic TAP Insertion*.

- Power and clock management
 - Debugger can get the status of the power domain associated to each TAP.
 - Debugger may prevent the application software switching off the power domain.
 - Application power management behavior can be preserved during debug across power transitions.
 - For more information, see *Power and Clock Management* section of the Device TRM.
- Reset management
 - Debugger can configure ICEPick to assert, block, or extend the reset of a given subsystem.
 - For more information, see *Reset Management* section of the Device TRM.
- Cross-triggering
 - Provides a way to propagate debug (trigger) events from one processor, subsystem, or module to another:
 - Subsystem A can be programmed to generate a debug event, which can then be exported as a global trigger across the device.
 - Subsystem B can be programmed to be sensitive to the trigger line input and to generate an action on trigger detection.
 - Two global trigger lines are implemented
 - Device-level cross-triggering is handled by the XTRIG (TI cross-trigger) module implemented in the debug subsystem
 - Various Arm® CoreSight™ cross-trigger modules implemented to provide support for CoreSight triggers distribution
 - CoreSight Cross-Trigger Interface (CS_CTI) modules
 - CoreSight Cross-Trigger Matrix (CS_CTM) modules
 - For more information about cross-triggering, see *Cross-Triggering* section of the Device TRM.
- Suspend
 - Provides a way to stop a closely coupled hardware process running on a peripheral module when the host processor enters debug state
 - For more information about suspend, see *Suspend* section of the Device TRM.
- MPU watchpoint
 - Embedded in MPU subsystem
 - Provides visibility on MPU to EMIF direct paths
 - For more information, see *MPU Memory Adaptor (MPU_MA) Watchpoint* section of the Device TRM.
- Processor trace
 - Cortex-A15 (MPU) and C66x (DSP) processor trace is supported
 - Program trace only for MPU (no data trace)
 - MPU trace supported by a CoreSight Program Trace Macrocell (CS_PTM) module
 - Three exclusive trace sinks:
 - CoreSight Trace Port Interface Unit (CS_TPIU) – trace export to an external trace receiver
 - CTools Trace Buffer Router (CT_TBR) in system bridge mode – trace export through USB
 - CT_TBR in buffer mode – trace history store into on-chip trace buffer
 - For more information, see *Processor Trace* section of the Device TRM.

- System instrumentation (trace)
 - Supported by a CTools System Trace Module (CT_STM), implementing MIPI System Trace Protocol (STP) (rev 2.0)
 - Real-time software trace
 - MPU software instrumentation through CoreSight STM (CS_STM) (STP2.0)
 - System-on-chip (SoC) software instrumentation through CT_STM (STP2.0)
 - OCP watchpoint (OCP_WP_NOC)
 - OCP target traffic monitoring: OCP_WP_NOC can be configured to generate a trigger upon watchpoint match (that is, when target transaction attributes match the user-defined attributes).
 - SoC events trace
 - DMA transfer profiling
 - Statistics collector (performance probes)
 - Computes traffic statistics within a user-defined window and periodically reports to the user through the CT_STM interface
 - Embedded in the L3_MAIN interconnect
 - 10 instances:
 - 1 instance dedicated to target (SDRAM) load monitoring
 - 9 instances dedicated to master latency monitoring
 - IVA instrumentation (hardware accelerator [HWA] profiling)
 - Supported through a software message and system trace event (SMSET) module embedded in the IVA subsystem
 - Power-management events profiling (PM instrumentation [PMI])
 - Monitoring major power-management events. The PM state changes are handled as generic events and encapsulated in STP messages.
 - Clock-management events profiling (CM instrumentation [CMI])
 - Monitoring major clock management events. The CM state changes are handled as generic events and encapsulated in STP messages.
 - Two instances, one per CM
 - CM1 Instrumentation (CMI1) module mapped in the PD_CORE_AON power domain
 - CM2 Instrumentation (CMI2) module mapped in the PD_CORE power domain
 - For more information, see *System Instrumentation* section of the Device TRM.
- Performance monitoring
 - Supported by subsystem counter timer module (SCTM) for IPU
 - Supported by performance monitoring unit (PMU) for MPU subsystem

For more information, see chapter *On-Chip Debug Support* of the Device TRM.

7 Applications, Implementation, and Layout

NOTE

Information in the following Applications section is not part of the TI component specification, and TI does not warrant its accuracy or completeness. TI's customers are responsible for determining suitability of components for their purposes. Customers should validate and test their design implementation to confirm system functionality.

7.1 Power Supply Mapping

TPS659163 or LP8733 are the Power Management IC (PMIC) that should be used for Device designs. TI requires use of this PMIC for the following reasons:

- TI has validated their use with the Device
- Board level margins including transient response and output accuracy are analyzed and optimized for the entire system
- Support for power sequencing requirements (refer to [Section 5.10.3, Power Supply Sequences](#))
- Support for Adaptive Voltage Scaling (AVS) Class 0 requirements, including TI provided software

Whenever we allow for combining of rails mapped on any of the SMPSs, the PDN guidelines that are the most stringent of the rails combined should be implemented for the particular supply rail. It is possible that some voltage domains on the device are unused in some systems. In such cases, to ensure device reliability, it is still required that the supply pins for the specific voltage domains are connected to some core power supply output.

These unused supplies though can be combined with any of the core supplies that are used (active) in the system. For example, if DSP domain is not used, they can be combined with the CORE domain, thereby having a single power supply driving the combined CORE and DSP domains.

For the combined rail, the following relaxations do apply:

- The AVS voltage of active rail in the combined rail needs to be used to set the power supply
- The decoupling capacitance should be set according to the active rail in the combined rail

[Table 7-1](#) illustrates the approved and validated power supply connections to the Device for the SMPS outputs of the TPS659163 PMIC.

Table 7-1. TPS659163 Power Supply Connections⁽¹⁾

| SMPS | Valid Combination | TPS659163 Current Limitation ^{(2) (3)} |
|-------|-------------------|---|
| SMPS1 | VD_CORE | 3.5A |
| SMPS2 | Free (DDR Memory) | 3.5A |
| SMPS3 | VD_DSP | 3A |
| SMPS4 | VDDS18V | 1.5A |

(1) Power consumption is highly application-specific. Separate analysis must be performed to ensure output current ratings (average and peak) is within the limits of the PMIC for all rails of the device.

(2) Refer to the PMIC data manual for the latest TPS659163 specifications.

(3) A product's maximum ambient temperature, thermal system design & heat spreading performance could limit the maximum power dissipation below the full PMIC capacity in order to not exceed recommended SoC max Tj.

[Table 7-2](#) illustrates the approved and validated power supply connections to the Device for the SMPS outputs of the LP8733 PMIC.

Table 7-2. LP8733 Power Supply Connections

| SMPS | Valid Combination | LP8733 Current Limitation ^{(1) (2) (3)} |
|-------|-------------------|--|
| SMPS1 | VD_CORE | 3A |
| SMPS2 | VD_DSP | 3A |

- (1) Refer to the LP8733 Data Manual for exact current rating limitations, including assumed VIN and other parameters. Values provided in this table are for comparison purposes.
- (2) Power consumption is highly application-specific. Separate analysis must be performed to ensure output current ratings (average and peak) is within the limits of the PMIC for all rails of the device.
- (3) A product's maximum ambient temperature, thermal system design & heat spreading performance could limit the maximum power dissipation below the full PMIC capacity in order to not exceed recommended SoC max Tj.

7.2 DDR3 Board Design and Layout Guidelines

7.2.1 DDR3 General Board Layout Guidelines

To help ensure good signaling performance, consider the following board design guidelines:

- Avoid crossing splits in the power plane.
- Minimize Vref noise.
- Use the widest trace that is practical between decoupling capacitors and memory module.
- Maintain a single reference.
- Minimize ISI by keeping impedances matched.
- Minimize crosstalk by isolating sensitive bits, such as strobes, and avoiding return path discontinuities.
- Use proper low-pass filtering on the Vref pins.
- Keep the stub length as short as possible.
- Add additional spacing for on-clock and strobe nets to eliminate crosstalk.
- Maintain a common ground reference for all bypass and decoupling capacitors.
- Take into account the differences in propagation delays between microstrip and stripline nets when evaluating timing constraints.

7.2.2 DDR3 Board Design and Layout Guidelines

7.2.2.1 Board Designs

TI only supports board designs using DDR3 memory that follow the guidelines in this document. The switching characteristics and timing diagram for the DDR3 memory controller are shown in [Table 7-3](#) and [Figure 7-1](#).

Table 7-3. Switching Characteristics Over Recommended Operating Conditions for DDR3 Memory Controller

| NO. | PARAMETER | | MIN | MAX | UNIT |
|-----|-------------------|---------------------|-----|--------------------|------|
| 1 | $t_{c(DDR_CLK)}$ | Cycle time, DDR_CLK | 1.5 | 2.5 ⁽¹⁾ | ns |

- (1) This is the absolute maximum the clock period can be. Actual maximum clock period may be limited by DDR3 speed grade and operating frequency (see the DDR3 memory device data sheet).

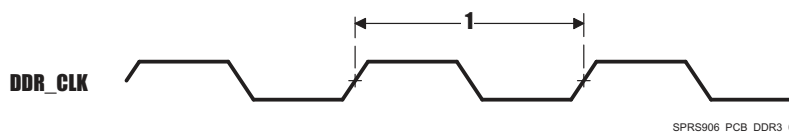


Figure 7-1. DDR3 Memory Controller Clock Timing

7.2.2.2 DDR3 EMIF

The processor contains one DDR3 EMIF.

7.2.2.3 DDR3 Device Combinations

Because there are several possible combinations of device counts and single- or dual-side mounting, [Table 7-4](#) summarizes the supported device configurations.

Table 7-4. Supported DDR3 Device Combinations

| NUMBER OF DDR3 DEVICES | DDR3 DATA DEVICE WIDTH (BITS) | MIRRORED? | DDR3 EMIF WIDTH (BITS) |
|------------------------|-------------------------------|---------------------|------------------------|
| 1 | 16 | N | 16 |
| 2 | 8 | Y ⁽¹⁾ | 16 |
| 2 | 16 | N | 32 |
| 2 | 16 | Y ⁽¹⁾ | 32 |
| 3 | 16 | N ⁽³⁾⁽⁴⁾ | 32 |
| 4 | 8 | N | 32 |
| 4 | 8 | Y ⁽²⁾ | 32 |
| 5 | 8 | N ⁽³⁾⁽⁴⁾ | 32 |

- (1) Two DDR3 devices are mirrored when one device is placed on the top of the board and the second device is placed on the bottom of the board.
- (2) This is two mirrored pairs of DDR3 devices.
- (3) Three or five DDR3 device combination is not available on this device, but combination types are retained for consistency with the AM57xx family of devices.
- (4) The DDR memory connected to the DDR ECC bus does NOT need to be the same part number as the DDR memories connected to the DDR data bus. However, some constraints do apply. When selecting a memory for the DDR ECC bus, the following restrictions must be adhered to as compared to the DDR memories on the data bus:
 - Match the same DDR3 speed grade
 - Have an equal number of internal banks
 - Have an equal number of columns
 - Have a greater or equal number of rows

7.2.2.4 DDR3 Interface Schematic

7.2.2.4.1 32-Bit DDR3 Interface

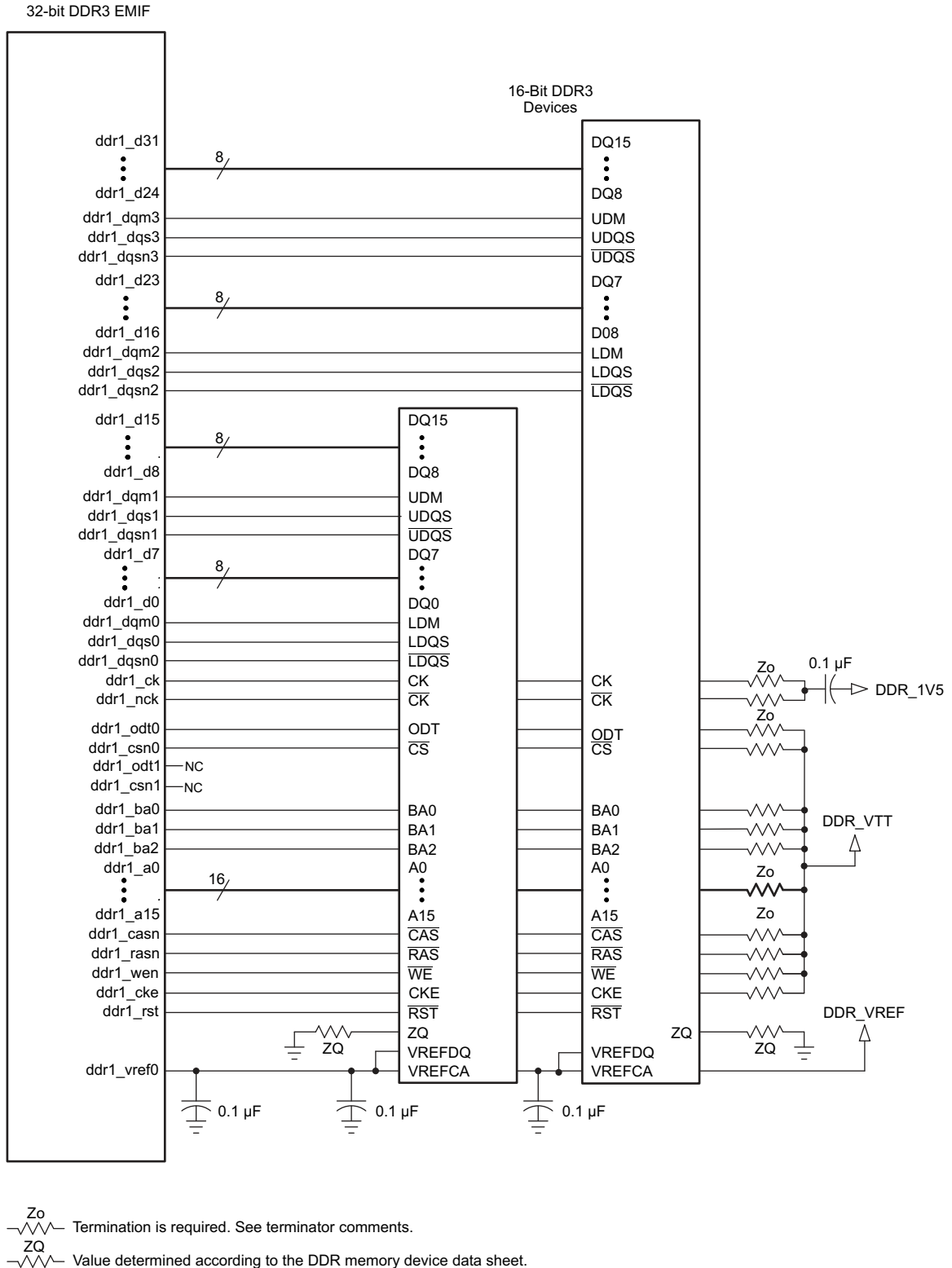
The DDR3 interface schematic varies, depending upon the width of the DDR3 devices used and the width of the bus used (16 or 32 bits). General connectivity is straightforward and very similar. 16-bit DDR devices look like two 8-bit devices. [Figure 7-2](#) and [Figure 7-3](#) show the schematic connections for 32-bit interfaces using x16 devices.

7.2.2.4.2 16-Bit DDR3 Interface

Note that the 16-bit wide interface schematic is practically identical to the 32-bit interface (see [Figure 7-2](#) and [Figure 7-3](#)); only the high-word DDR memories are removed and the unused DQS inputs are tied off.

When not using all or part of a DDR interface, the proper method of handling the unused pins is to tie off the `ddrx_dqsi` pins to ground via a 1k-Ω resistor and to tie off the `ddrx_dqsn` pins to the corresponding `vdds_ddrx` supply via a 1k-Ω resistor. This needs to be done for each byte not used. Although these signals have internal pullups and pulldowns, external pullups and pulldowns provide additional protection against external electrical noise causing activity on the signals.

The `vdds_ddrx` and `ddrx_vref0` power supply pins need to be connected to their respective power supplies even if `ddrx` is not being used. All other DDR interface pins can be left unconnected. Note that the supported modes for use of the DDR EMIF are 32-bits wide, 16-bits wide, or not used.



SPRS906_PCB_DDR3_02

Figure 7-2. 32-Bit, One-Bank DDR3 Interface Schematic Using Two 16-Bit DDR3 Devices

7.2.2.5 Compatible JEDEC DDR3 Devices

Table 7-5 shows the parameters of the JEDEC DDR3 devices that are compatible with this interface. Generally, the DDR3 interface is compatible with DDR3-1333 devices in the x8 or x16 widths.

Table 7-5. Compatible JEDEC DDR3 Devices (Per Interface)

| NO. | PARAMETER | CONDITION | MIN | MAX | UNIT |
|-----|--|----------------------------------|-----------|-----------|---------|
| 1 | JEDEC DDR3 device speed grade ⁽¹⁾ | DDR clock rate = 400MHz | DDR3-800 | DDR3-1600 | |
| | | 400MHz < DDR clock rate ≤ 533MHz | DDR3-1066 | DDR3-1600 | |
| | | 533MHz < DDR clock rate ≤ 667MHz | DDR3-1333 | DDR3-1600 | |
| 2 | JEDEC DDR3 device bit width | | x8 | x16 | Bits |
| 3 | JEDEC DDR3 device count ⁽²⁾ | | 2 | 4 | Devices |

(1) Refer to Table 7-3 Switching Characteristics Over Recommended Operating Conditions for DDR3 Memory Controller for the range of supported DDR clock rates.

(2) For valid DDR3 device configurations and device counts, see Section 7.2.2.4, Figure 7-2, and Figure 7-3.

7.2.2.6 PCB Stackup

The minimum stackup for routing the DDR3 interface is a six-layer stack up as shown in Table 7-6. Additional layers may be added to the PCB stackup to accommodate other circuitry, enhance SI/EMI performance, or to reduce the size of the PCB footprint. Complete stackup specifications are provided in Table 7-7.

Table 7-6. Six-Layer PCB Stackup Suggestion

| LAYER | TYPE | DESCRIPTION |
|-------|--------|---------------------------------------|
| 1 | Signal | Top routing mostly vertical |
| 2 | Plane | Ground |
| 3 | Plane | Split power plane |
| 4 | Plane | Split power plane or Internal routing |
| 5 | Plane | Ground |
| 6 | Signal | Bottom routing mostly horizontal |

Table 7-7. PCB Stackup Specifications

| NO. | PARAMETER | MIN | TYP | MAX | UNIT |
|------|---|-----|-----|-----|------|
| PS1 | PCB routing/plane layers | 6 | | | |
| PS2 | Signal routing layers | 3 | | | |
| PS3 | Full ground reference layers under DDR3 routing region ⁽¹⁾ | 1 | | | |
| PS4 | Full 1.5-V power reference layers under the DDR3 routing region ⁽¹⁾ | 1 | | | |
| PS5 | Number of reference plane cuts allowed within DDR routing region ⁽²⁾ | | | 0 | |
| PS6 | Number of layers between DDR3 routing layer and reference plane ⁽³⁾ | | | 0 | |
| PS7 | PCB routing feature size | | 4 | | Mils |
| PS8 | PCB trace width, w | | 4 | | Mils |
| PS9 | Single-ended impedance, Z ₀ | 50 | | 75 | Ω |
| PS10 | Impedance control ⁽⁵⁾ | Z-5 | Z | Z+5 | Ω |

- (1) Ground reference layers are preferred over power reference layers. Be sure to include bypass caps to accommodate reference layer return current as the trace routes switch routing layers.
- (2) No traces should cross reference plane cuts within the DDR routing region. High-speed signal traces crossing reference plane cuts create large return current paths which can lead to excessive crosstalk and EMI radiation.
- (3) Reference planes are to be directly adjacent to the signal plane to minimize the size of the return current loop.
- (4) An 18-mil pad assumes Via Channel is the most economical BGA escape. A 20-mil pad may be used if additional layers are available for power routing. An 18-mil pad is required for minimum layer count escape.
- (5) Z is the nominal singled-ended impedance selected for the PCB specified by PS9.

7.2.2.7 Placement

Figure 7-4 shows the required placement for the processor as well as the DDR3 devices. The dimensions for this figure are defined in Table 7-8. The placement does not restrict the side of the PCB on which the devices are mounted. The ultimate purpose of the placement is to limit the maximum trace lengths and allow for proper routing space. For a 16-bit DDR memory system, the high-word DDR3 devices are omitted from the placement.

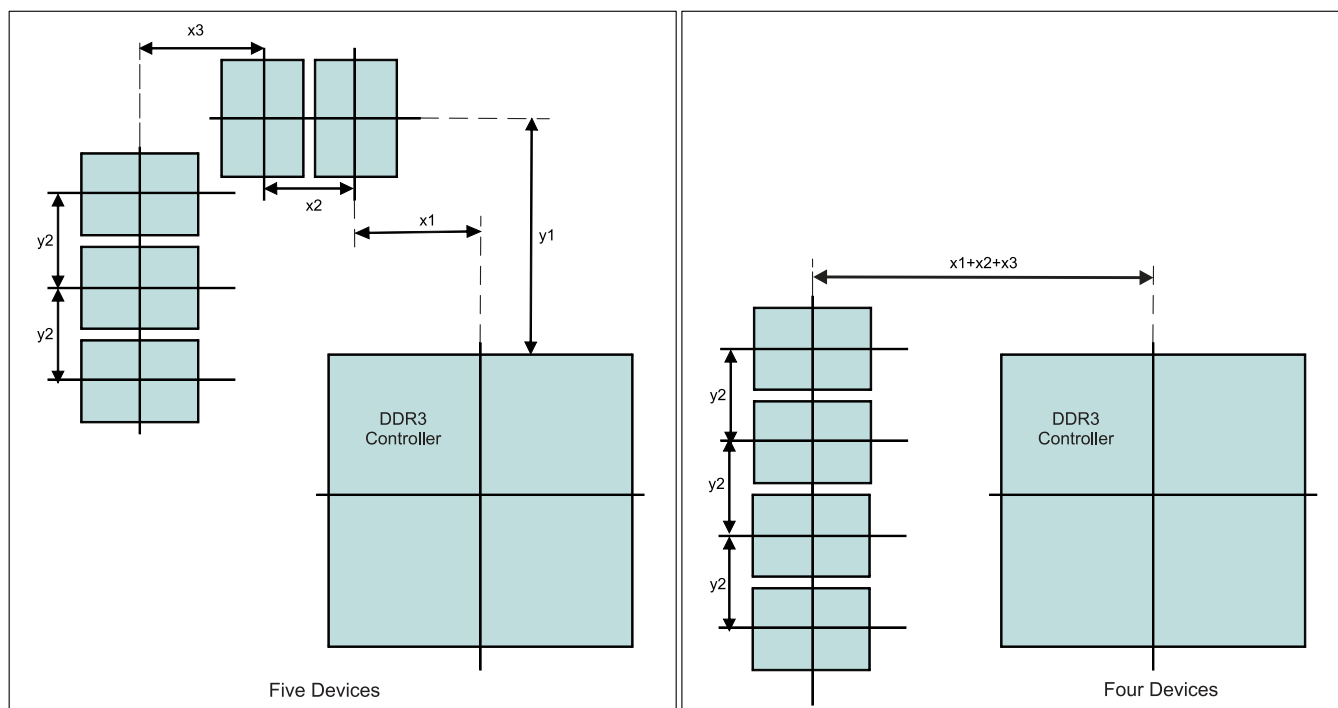


Figure 7-4. Placement Specifications

Table 7-8. Placement Specifications DDR3

| NO. | PARAMETER | MIN | MAX | UNIT |
|-------|--|-----|------|------|
| KOD31 | X1 | | 500 | Mils |
| KOD32 | X2 | | 600 | Mils |
| KOD33 | X3 | | 600 | Mils |
| KOD34 | Y1 | | 1800 | Mils |
| KOD35 | Y2 | | 600 | Mils |
| KOD36 | DDR3 keepout region ⁽¹⁾ | | | |
| KOD37 | Clearance from non-DDR3 signal to DDR3 keepout region ^{(2) (3)} | 4 | | W |

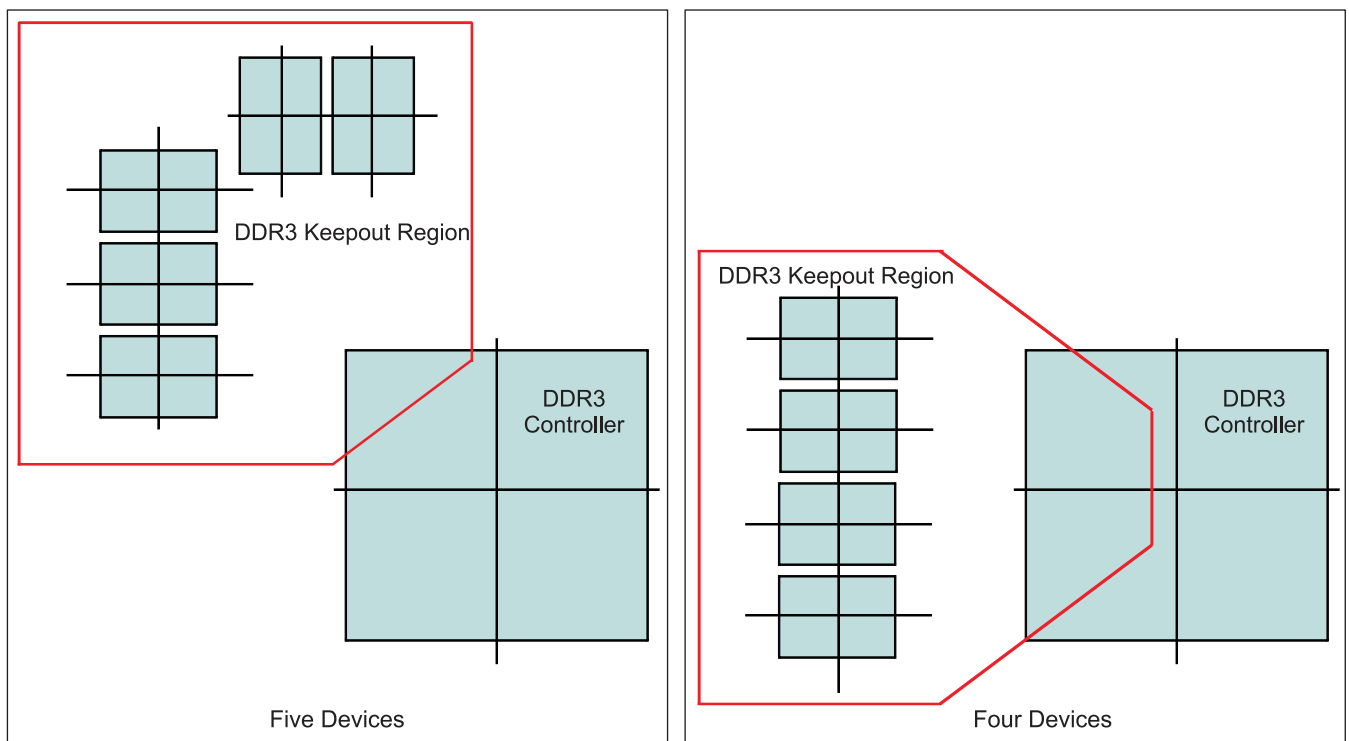
(1) DDR3 keepout region to encompass entire DDR3 routing area.

(2) Non-DDR3 signals allowed within DDR3 keepout region provided they are separated from DDR3 routing layers by a ground plane.

(3) If a device has more than one DDR controller, the signals from the other controller(s) are considered non-DDR3 and should be separated by this specification.

7.2.2.8 DDR3 Keepout Region

The region of the PCB used for DDR3 circuitry must be isolated from other signals. The DDR3 keepout region is defined for this purpose and is shown in [Figure 7-5](#). The size of this region varies with the placement and DDR routing. Additional clearances required for the keepout region are shown in [Table 7-8](#). Non-DDR3 signals should not be routed on the DDR signal layers within the DDR3 keepout region. Non-DDR3 signals may be routed in the region, provided they are routed on layers separated from the DDR signal layers by a ground layer. No breaks should be allowed in the reference ground layers in this region. In addition, the 1.5-V DDR3 power plane should cover the entire keepout region. Also note that the two signals from the DDR3 controller should be separated from each other by the specification in [Table 7-8](#), (see [KOD37](#)).



SPRS908_PCB_DDR3_05

Figure 7-5. DDR3 Keepout Region

7.2.2.9 Bulk Bypass Capacitors

Bulk bypass capacitors are required for moderate speed bypassing of the DDR3 and other circuitry. [Table 7-9](#) contains the minimum numbers and capacitance required for the bulk bypass capacitors. Note that this table only covers the bypass needs of the DDR3 controllers and DDR3 devices. Additional bulk bypass capacitance may be needed for other circuitry.

Table 7-9. Bulk Bypass Capacitors

| NO. | PARAMETER | MIN | MAX | UNIT |
|-----|--|-----|-----|---------|
| 1 | vdds_ddrx bulk bypass capacitor count ⁽¹⁾ | 1 | | Devices |
| 2 | vdds_ddrx bulk bypass total capacitance | 22 | | μF |

(1) These devices should be placed near the devices they are bypassing, but preference should be given to the placement of the high-speed (HS) bypass capacitors and DDR3 signal routing.

7.2.2.10 High-Speed Bypass Capacitors

High-speed (HS) bypass capacitors are critical for proper DDR3 interface operation. It is particularly important to minimize the parasitic series inductance of the HS bypass capacitors, processor/DDR power, and processor/DDR ground connections. [Table 7-10](#) contains the specification for the HS bypass capacitors as well as for the power connections on the PCB. Generally speaking, it is good to:

1. Fit as many HS bypass capacitors as possible.
2. Minimize the distance from the bypass cap to the pins/balls being bypassed.
3. Use the smallest physical sized capacitors possible with the highest capacitance readily available.
4. Connect the bypass capacitor pads to their vias using the widest traces possible and using the largest hole size via possible.
5. Minimize via sharing. Note the limites on via sharing shown in [Table 7-10](#).

Table 7-10. High-Speed Bypass Capacitors

| NO. | PARAMETER | MIN | TYP | MAX | UNIT |
|-----|---|---|------|------|---------|
| 1 | HS bypass capacitor package size ⁽¹⁾ | | 0201 | 0402 | 10 Mils |
| 2 | Distance, HS bypass capacitor to processor being bypassed ⁽²⁾⁽³⁾⁽⁴⁾ | | | 400 | Mils |
| 3 | Processor HS bypass capacitor count per vdds_ddrx rail | See Section 7.4 and ⁽¹¹⁾ | | | Devices |
| 4 | Processor HS bypass capacitor total capacitance per vdds_ddrx rail | See Section 7.4 and ⁽¹¹⁾ | | | μF |
| 5 | Number of connection vias for each device power/ground ball ⁽⁵⁾ | | | | Vias |
| 6 | Trace length from device power/ground ball to connection via ⁽²⁾ | | 35 | 70 | Mils |
| 7 | Distance, HS bypass capacitor to DDR device being bypassed ⁽⁶⁾ | | | 150 | Mils |
| 8 | DDR3 device HS bypass capacitor count ⁽⁷⁾ | 12 | | | Devices |
| 9 | DDR3 device HS bypass capacitor total capacitance ⁽⁷⁾ | 0.85 | | | μF |
| 10 | Number of connection vias for each HS capacitor ⁽⁸⁾⁽⁹⁾ | 2 | | | Vias |
| 11 | Trace length from bypass capacitor connect to connection via ⁽²⁾⁽⁹⁾ | | 35 | 100 | Mils |
| 12 | Number of connection vias for each DDR3 device power/ground ball ⁽¹⁰⁾ | 1 | | | Vias |
| 13 | Trace length from DDR3 device power/ground ball to connection via ⁽²⁾⁽⁸⁾ | | 35 | 60 | Mils |

(1) LxW, 10-mil units, that is, a 0402 is a 40x20-mil surface-mount capacitor.

(2) Closer/shorter is better.

(3) Measured from the nearest processor power/ground ball to the center of the capacitor package.

(4) Three of these capacitors should be located underneath the processor, between the cluster of DDR_1V5 balls and ground balls, between the DDR interfaces on the package.

(5) See the Via Channel™ escape for the processor package.

(6) Measured from the DDR3 device power/ground ball to the center of the capacitor package.

(7) Per DDR3 device.

(8) An additional HS bypass capacitor can share the connection vias only if it is mounted on the opposite side of the board. No sharing of vias is permitted on the same side of the board.

- (9) An HS bypass capacitor may share a via with a DDR device mounted on the same side of the PCB. A wide trace should be used for the connection and the length from the capacitor pad to the DDR device pad should be less than 150 mils.
- (10) Up to a total of two pairs of DDR power/ground balls may share a via.
- (11) The capacitor recommendations in this data manual reflect only the needs of this processor. Please see the memory vendor's guidelines for determining the appropriate decoupling capacitor arrangement for the memory device itself.

7.2.2.10.1 Return Current Bypass Capacitors

Use additional bypass capacitors if the return current reference plane changes due to DDR3 signals hopping from one signal layer to another. The bypass capacitor here provides a path for the return current to hop planes along with the signal. As many of these return current bypass capacitors should be used as possible. Because these are returns for signal current, the signal via size may be used for these capacitors.

7.2.2.11 Net Classes

Table 7-11 lists the clock net classes for the DDR3 interface. Table 7-12 lists the signal net classes, and associated clock net classes, for signals in the DDR3 interface. These net classes are used for the termination and routing rules that follow.

Table 7-11. Clock Net Class Definitions

| CLOCK NET CLASS | Processor PIN NAMES |
|---------------------|------------------------|
| CK | ddrx_ck/ddrx_nck |
| DQS0 | ddrx_dqs0 / ddrx_dqsn0 |
| DQS1 | ddrx_dqs1 / ddrx_dqsn1 |
| DQS2 ⁽¹⁾ | ddrx_dqs2 / ddrx_dqsn2 |
| DQS3 ⁽¹⁾ | ddrx_dqs3 / ddrx_dqsn3 |

(1) Only used on 32-bit wide DDR3 memory systems.

Table 7-12. Signal Net Class Definitions

| SIGNAL NET CLASS | ASSOCIATED CLOCK NET CLASS | Processor PIN NAMES |
|--------------------|----------------------------|--|
| ADDR_CTRL | CK | ddrx_ba[2:0], ddrx_a[14:0], ddrx_csnj, ddrx_casn, ddrx_rasn, ddrx_wen, ddrx_cke, ddrx_odti |
| DQ0 | DQS0 | ddrx_d[7:0], ddrx_dqm0 |
| DQ1 | DQS1 | ddrx_d[15:8], ddrx_dqm1 |
| DQ2 ⁽¹⁾ | DQS2 | ddrx_d[23:16], ddrx_dqm2 |
| DQ3 ⁽¹⁾ | DQS3 | ddrx_d[31:24], ddrx_dqm3 |

(1) Only used on 32-bit wide DDR3 memory systems.

7.2.2.12 DDR3 Signal Termination

Signal terminators are required for the CK and ADDR_CTRL net classes. The data lines are terminated by ODT and, thus, the PCB traces should be unterminated. Detailed termination specifications are covered in the routing rules in the following sections.

7.2.2.13 VREF_DDR Routing

ddrx_vref0 (VREF) is used as a reference by the input buffers of the DDR3 memories as well as the processor. VREF is intended to be half the DDR3 power supply voltage and is typically generated with the DDR3 VDD5 and VTT power supply. It should be routed as a nominal 20-mil wide trace with 0.1 μ F bypass capacitors near each device connection. Narrowing of VREF is allowed to accommodate routing congestion.

7.2.2.14 VTT

Like VREF, the nominal value of the VTT supply is half the DDR3 supply voltage. Unlike VREF, VTT is expected to source and sink current, specifically the termination current for the ADDR_CTRL net class Thevenin terminators. VTT is needed at the end of the address bus and it should be routed as a power sub-plane. VTT should be bypassed near the terminator resistors.

7.2.2.15 CK and ADDR_CTRL Topologies and Routing Definition

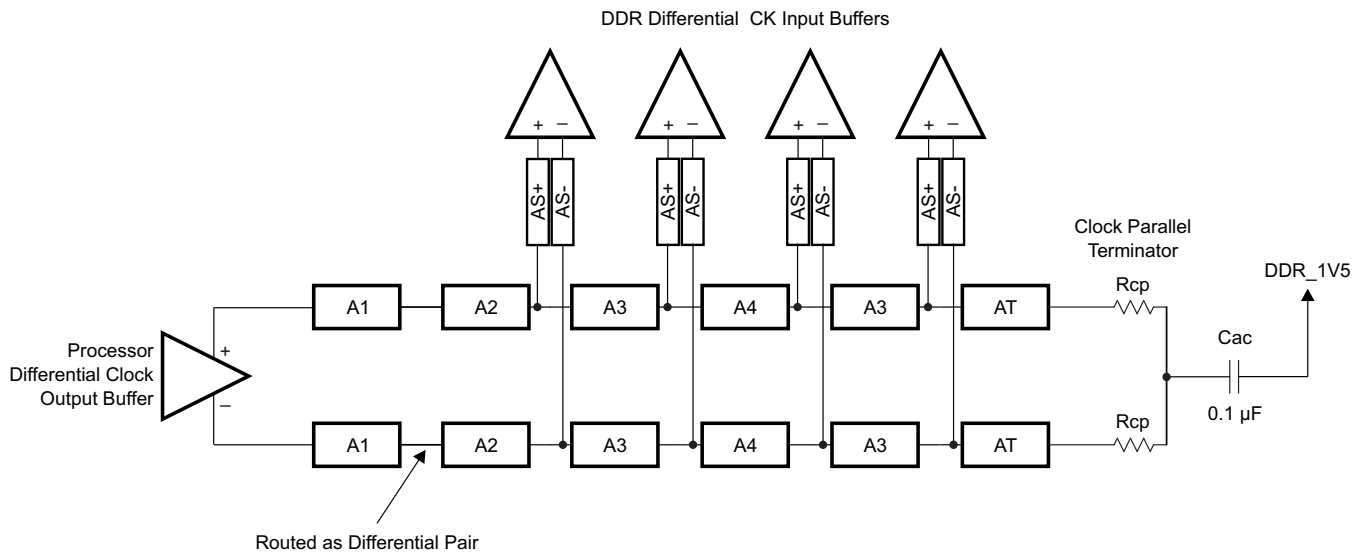
The CK and ADDR_CTRL net classes are routed in a fly-by topology. They are routed in a similar manner and are length matched to minimize skew between them. CK is a bit more complicated because it runs at a higher transition rate and is differential. The following subsections show the topology and routing for various DDR3 configurations for CK and ADDR_CTRL. The figures in the following subsections define the terms for the routing specification detailed in Table 7-13. Balanced-T routing is not recommended.

7.2.2.15.1 Four DDR3 Devices

Four DDR3 devices are supported on the DDR EMIF consisting of four x8 DDR3 devices arranged as one bank (CS). These four devices may be mounted on a single side of the PCB, or may be mirrored in two pairs to save board space at a cost of increased routing complexity and parts on the backside of the PCB.

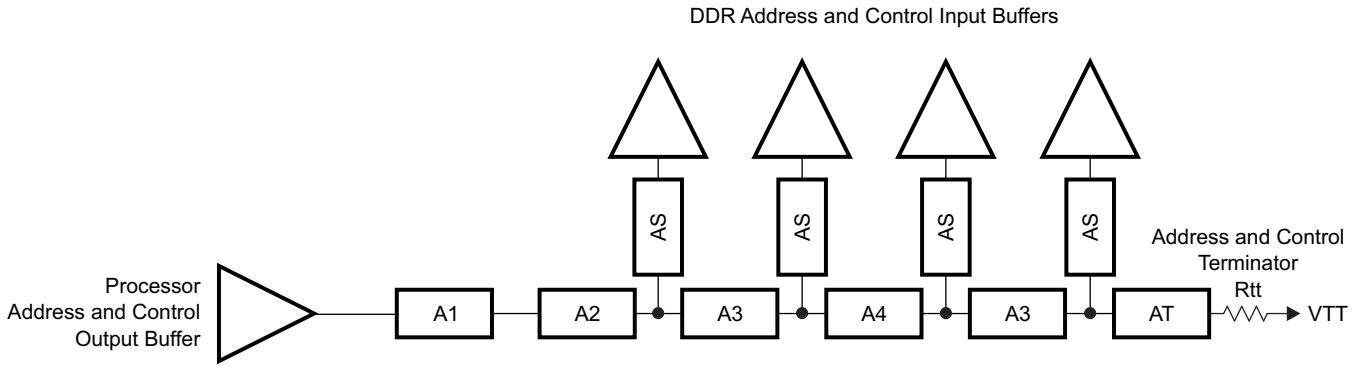
7.2.2.15.1.1 CK and ADDR_CTRL Topologies, Four DDR3 Devices

Figure 7-6 shows the topology of the CK net classes and Figure 7-7 shows the topology for the corresponding ADDR_CTRL net classes.



SPRS906_PCB_DDR3_06

Figure 7-6. CK Topology for Four x8 DDR3 Devices

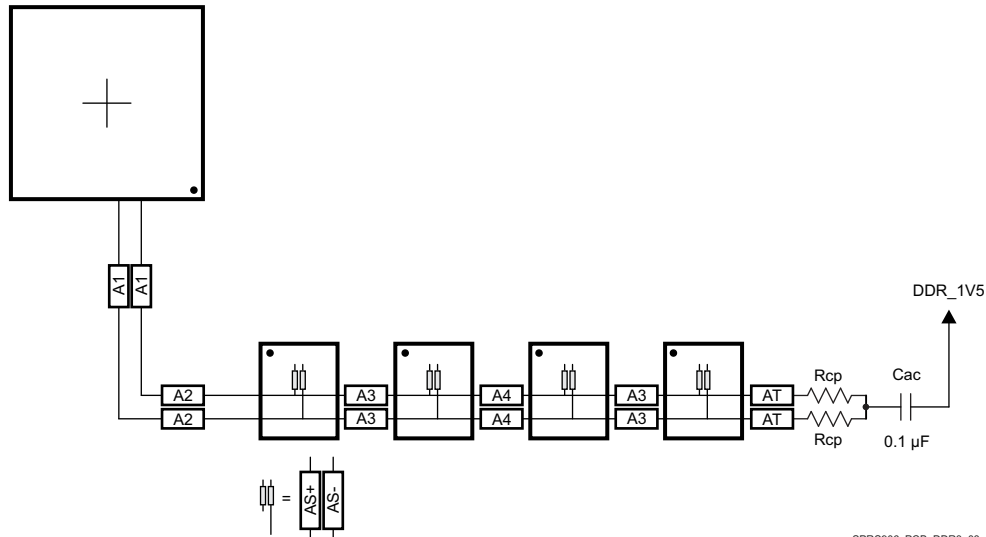


SPRS906_PCB_DDR3_07

Figure 7-7. ADDR_CTRL Topology for Four x8 DDR3 Devices

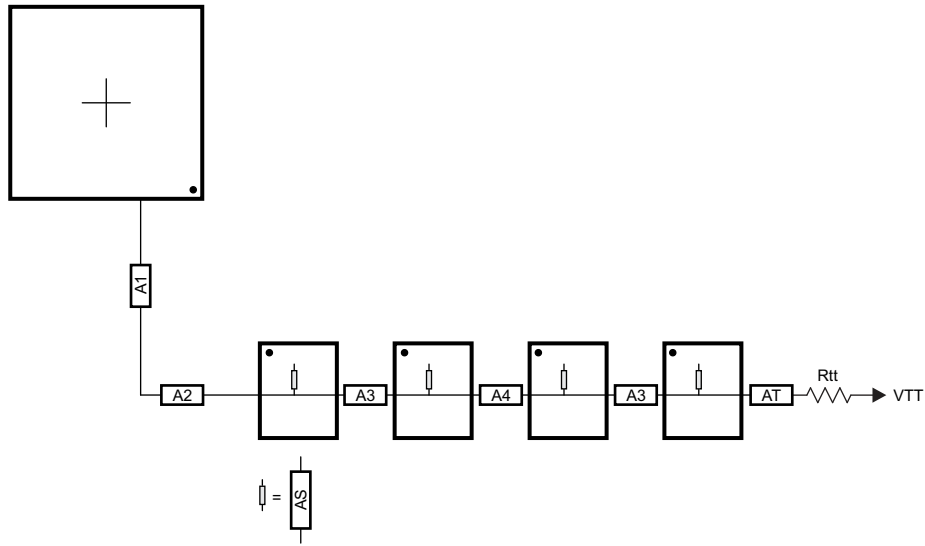
7.2.2.15.1.2 CK and ADDR_CTRL Routing, Four DDR3 Devices

Figure 7-8 shows the CK routing for four DDR3 devices placed on the same side of the PCB. Figure 7-9 shows the corresponding ADDR_CTRL routing.



SPRS906_PCB_DDR3_08

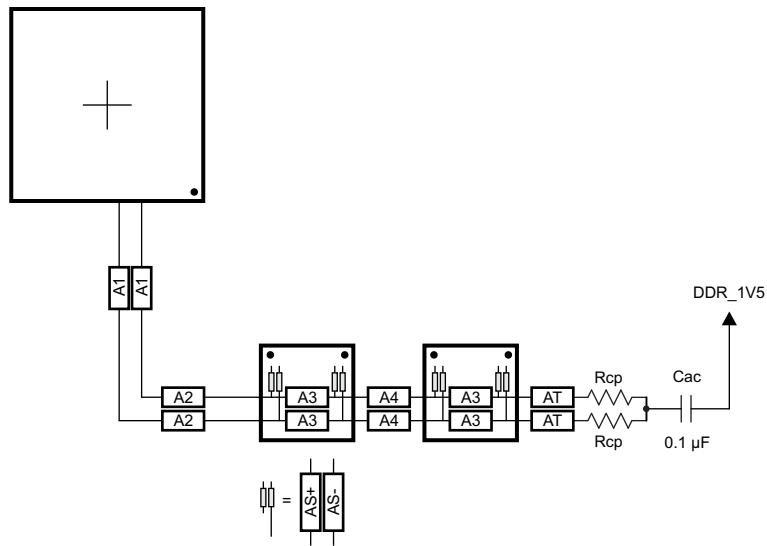
Figure 7-8. CK Routing for Four Single-Side DDR3 Devices



SPRS906_PCB_DDR3_09

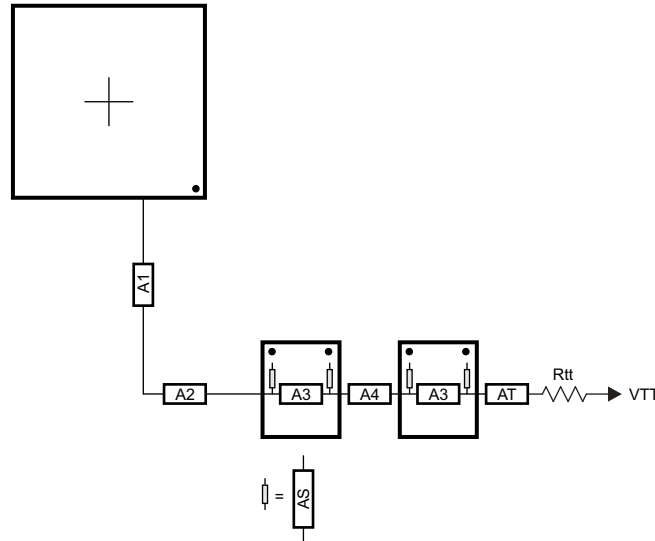
Figure 7-9. ADDR_CTRL Routing for Four Single-Side DDR3 Devices

To save PCB space, the four DDR3 memories may be mounted as two mirrored pairs at a cost of increased routing and assembly complexity. Figure 7-10 and Figure 7-11 show the routing for CK and ADDR_CTRL, respectively, for four DDR3 devices mirrored in a two-pair configuration.



SPRS906_PCB_DDR3_10

Figure 7-10. CK Routing for Four Mirrored DDR3 Devices



SPRS906_PCB_DDR3_11

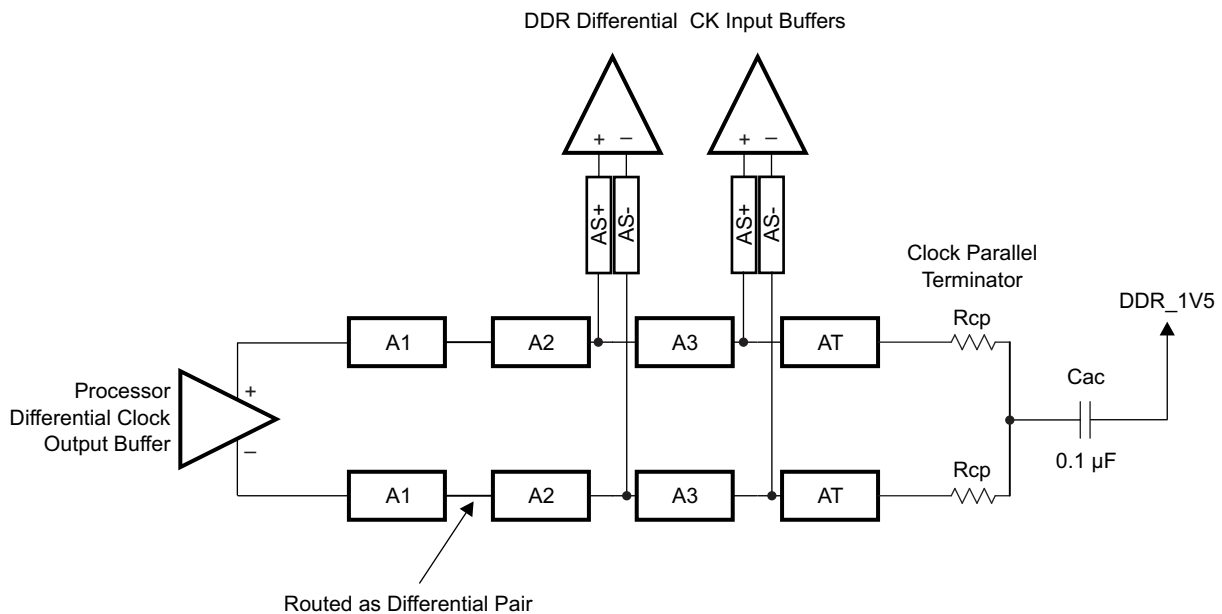
Figure 7-11. ADDR_CTRL Routing for Four Mirrored DDR3 Devices

7.2.2.15.2 Two DDR3 Devices

Two DDR3 devices are supported on the DDR EMIF consisting of two x8 DDR3 devices arranged as one bank (CS), 16 bits wide, or two x16 DDR3 devices arranged as one bank (CS), 32 bits wide. These two devices may be mounted on a single side of the PCB, or may be mirrored in a pair to save board space at a cost of increased routing complexity and parts on the backside of the PCB.

7.2.2.15.2.1 CK and ADDR_CTRL Topologies, Two DDR3 Devices

Figure 7-12 shows the topology of the CK net classes and Figure 7-13 shows the topology for the corresponding ADDR_CTRL net classes.



SPRS906_PCB_DDR3_12

Figure 7-12. CK Topology for Two DDR3 Devices

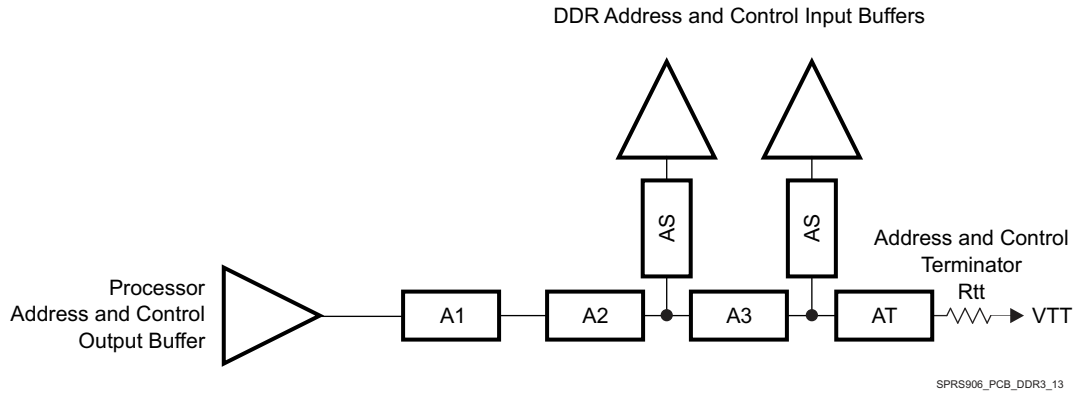


Figure 7-13. ADDR_CTRL Topology for Two DDR3 Devices

7.2.2.15.2.2 CK and ADDR_CTRL Routing, Two DDR3 Devices

Figure 7-14 shows the CK routing for two DDR3 devices placed on the same side of the PCB. Figure 7-15 shows the corresponding ADDR_CTRL routing.

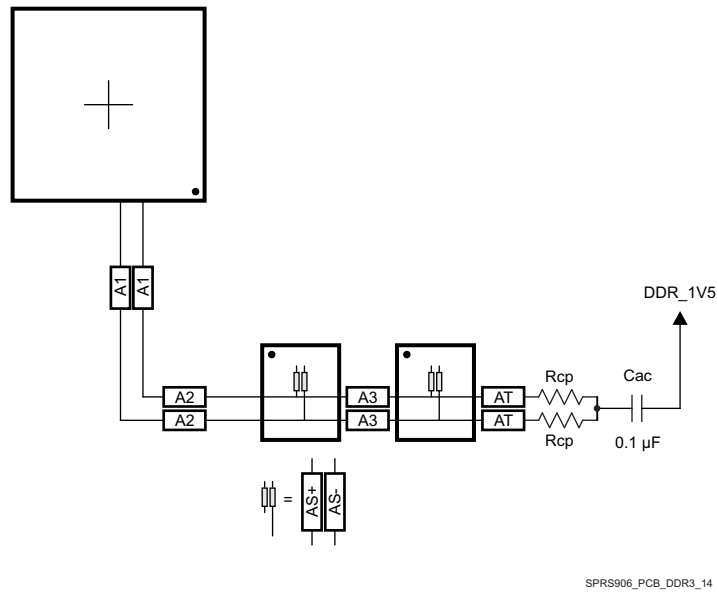


Figure 7-14. CK Routing for Two Single-Side DDR3 Devices

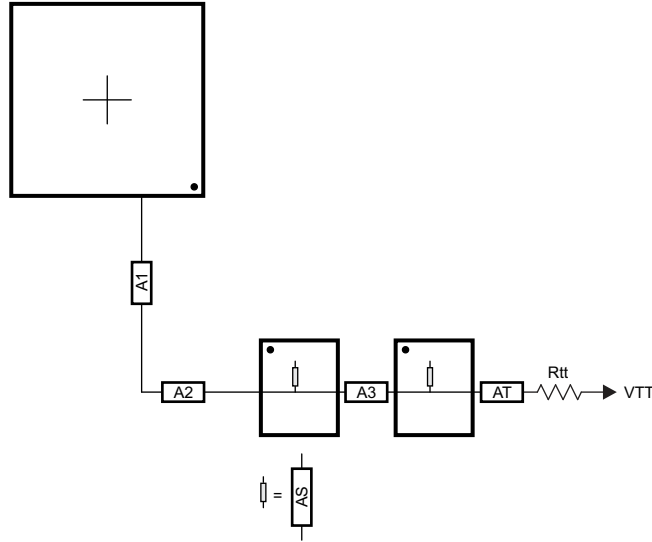


Figure 7-15. ADDR_CTRL Routing for Two Single-Side DDR3 Devices

To save PCB space, the two DDR3 memories may be mounted as a mirrored pair at a cost of increased routing and assembly complexity. Figure 7-16 and Figure 7-17 show the routing for CK and ADDR_CTRL, respectively, for two DDR3 devices mirrored in a single-pair configuration.

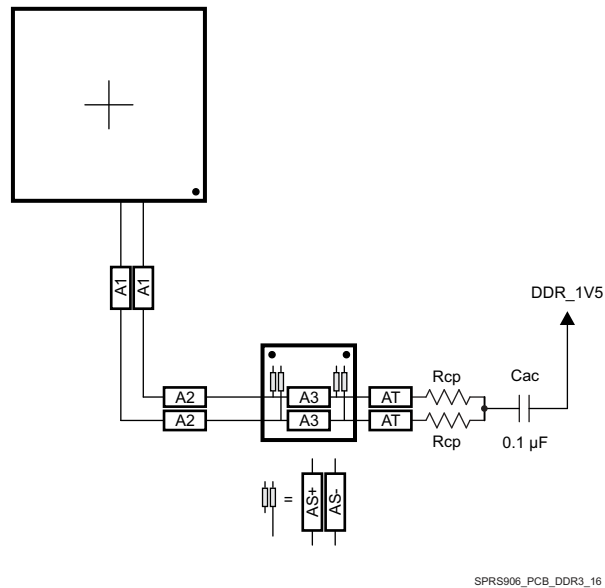
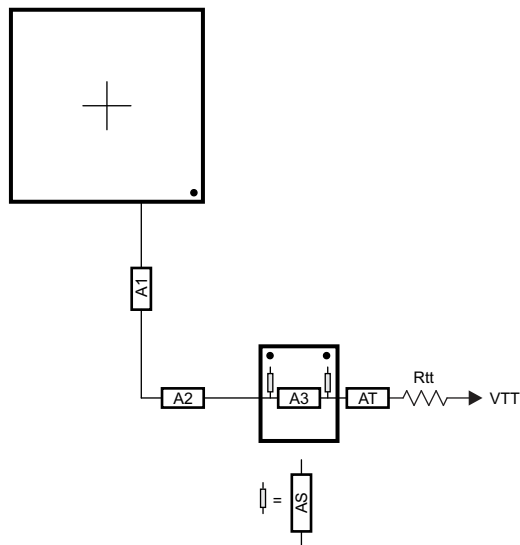


Figure 7-16. CK Routing for Two Mirrored DDR3 Devices



SPRS906_PCB_DDR3_17

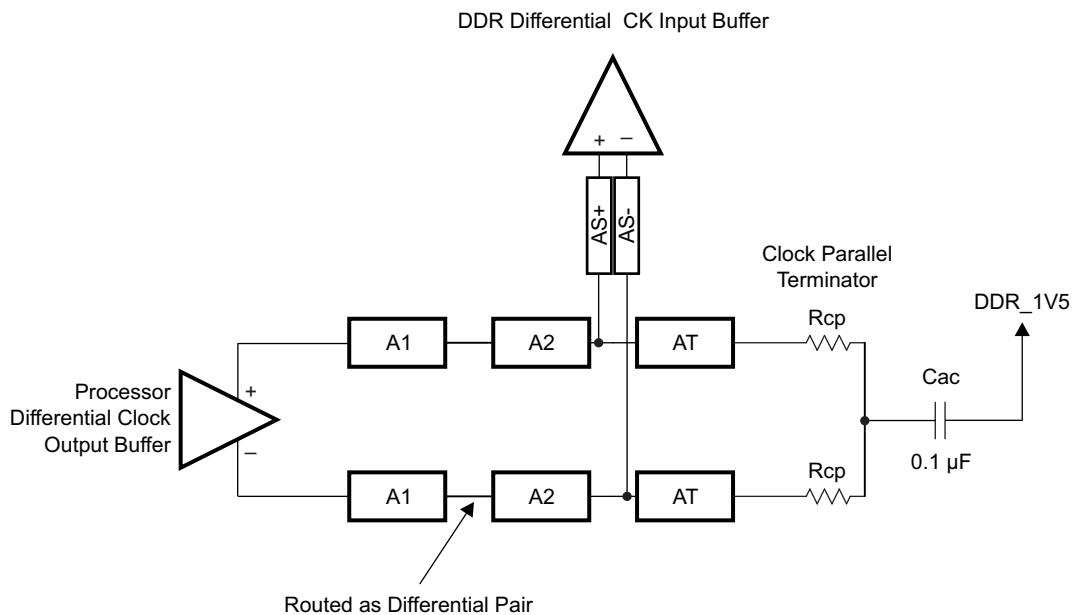
Figure 7-17. ADDR_CTRL Routing for Two Mirrored DDR3 Devices

7.2.2.15.3 One DDR3 Device

A single DDR3 device is supported on the DDR EMIF consisting of one x16 DDR3 device arranged as one bank (CS), 16 bits wide.

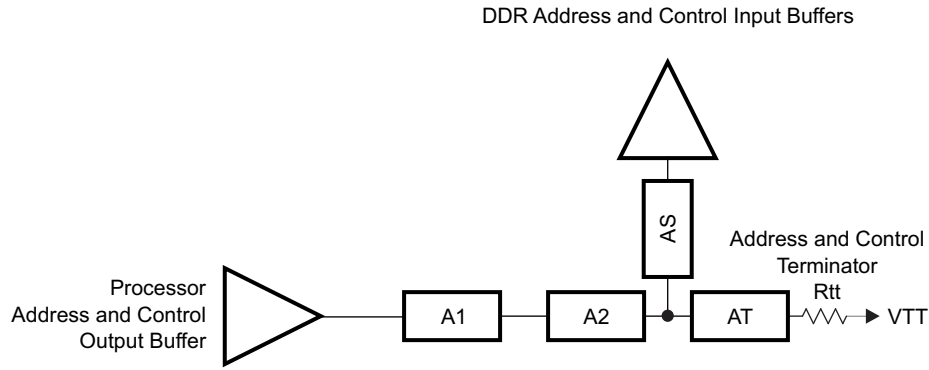
7.2.2.15.3.1 CK and ADDR_CTRL Topologies, One DDR3 Device

Figure 7-18 shows the topology of the CK net classes and Figure 7-19 shows the topology for the corresponding ADDR_CTRL net classes.



SPRS906_PCB_DDR3_18

Figure 7-18. CK Topology for One DDR3 Device

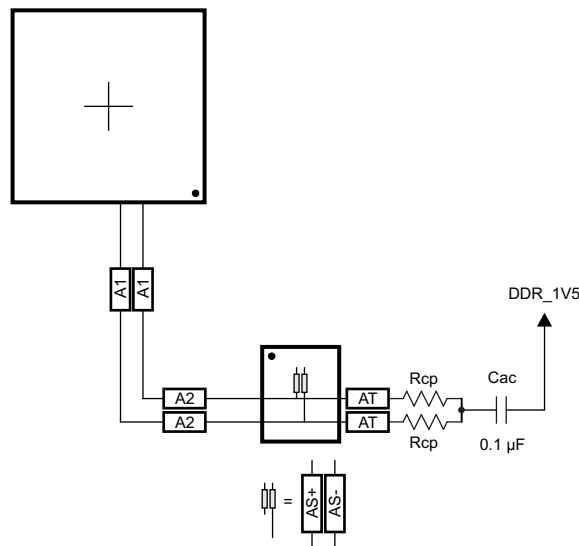


SPRS906_PCB_DDR3_19

Figure 7-19. ADDR_CTRL Topology for One DDR3 Device

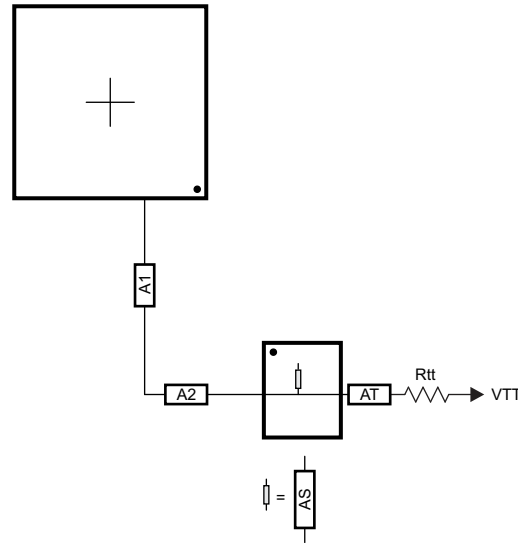
7.2.2.15.3.2 CK and ADDR/CTRL Routing, One DDR3 Device

Figure 7-20 shows the CK routing for one DDR3 device placed on the same side of the PCB. Figure 7-21 shows the corresponding ADDR_CTRL routing.



SPRS906_PCB_DDR3_20

Figure 7-20. CK Routing for One DDR3 Device



SPRS906_PCB_DDR3_21

Figure 7-21. ADDR_CTRL Routing for One DDR3 Device

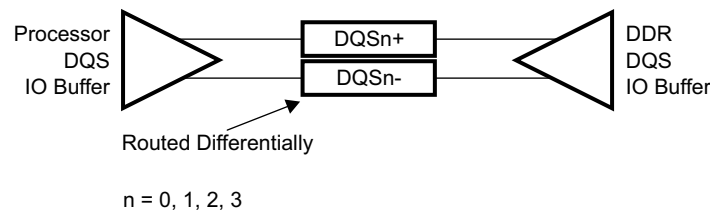
7.2.2.16 Data Topologies and Routing Definition

No matter the number of DDR3 devices used, the data line topology is always point to point, so its definition is simple.

Care should be taken to minimize layer transitions during routing. If a layer transition is necessary, it is better to transition to a layer using the same reference plane. If this cannot be accommodated, ensure there are nearby ground vias to allow the return currents to transition between reference planes if both reference planes are ground or vdds_ddr. Ensure there are nearby bypass capacitors to allow the return currents to transition between reference planes if one of the reference planes is ground. The goal is to minimize the size of the return current loops.

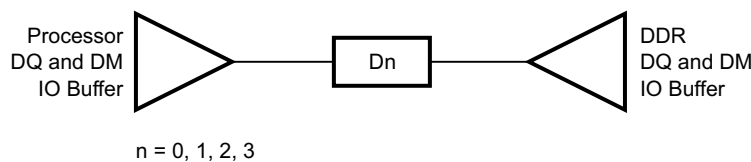
7.2.2.16.1 DQS and DQ/DM Topologies, Any Number of Allowed DDR3 Devices

DQS lines are point-to-point differential, and DQ/DM lines are point-to-point singled ended. Figure 7-22 and Figure 7-23 show these topologies.



SPRS906_PCB_DDR3_22

Figure 7-22. DQS Topology



SPRS906_PCB_DDR3_23

Figure 7-23. DQ/DM Topology

7.2.2.16.2 DQS and DQ/DM Routing, Any Number of Allowed DDR3 Devices

Figure 7-24 and Figure 7-25 show the DQS and DQ/DM routing.

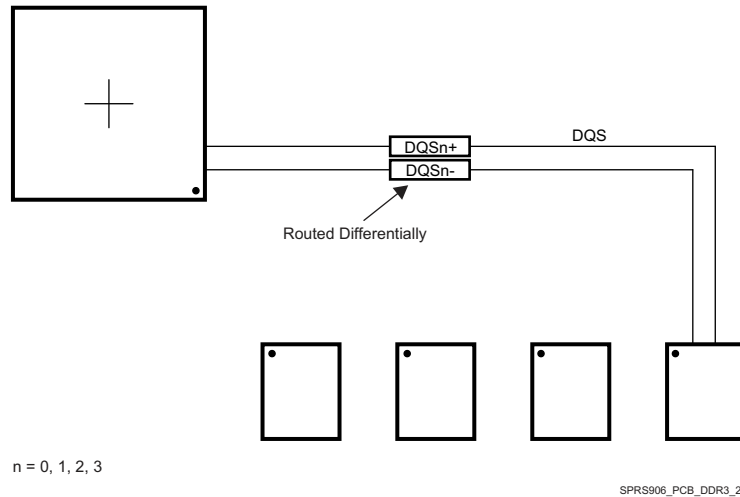


Figure 7-24. DQS Routing With Any Number of Allowed DDR3 Devices

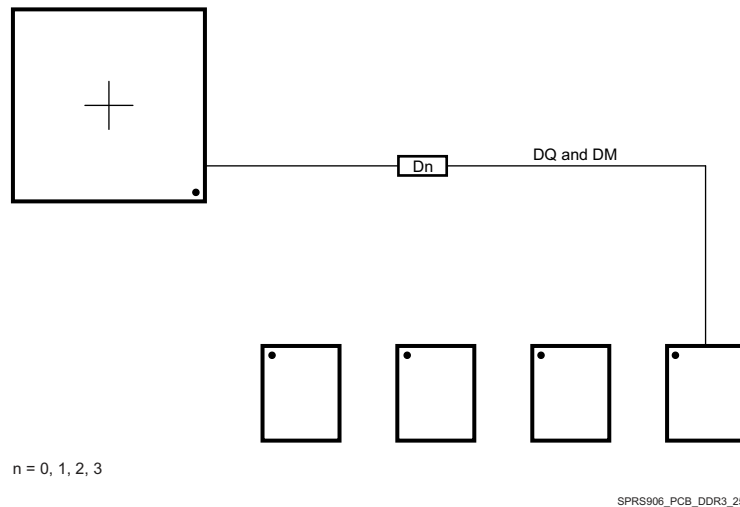


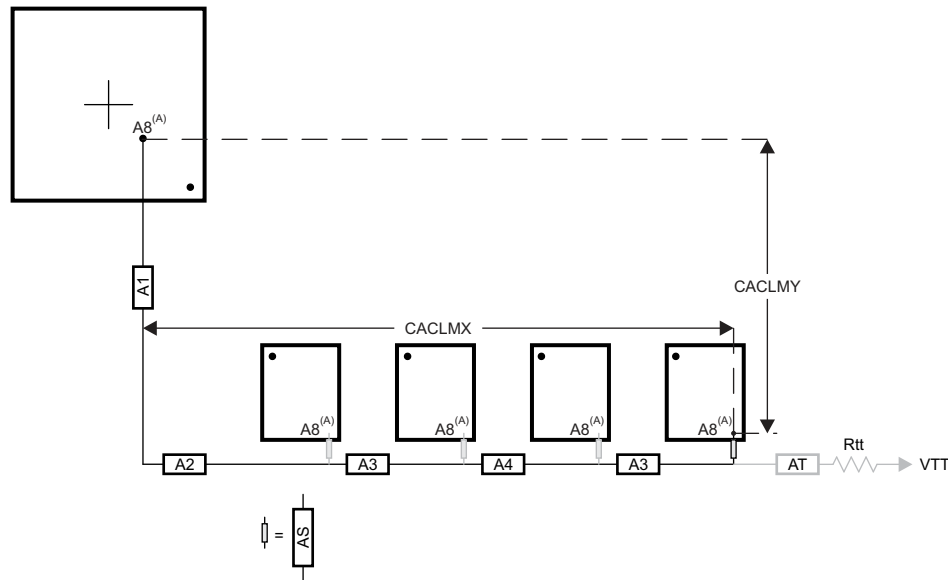
Figure 7-25. DQ/DM Routing With Any Number of Allowed DDR3 Devices

7.2.2.17 Routing Specification

7.2.2.17.1 CK and ADDR_CTRL Routing Specification

Skew within the CK and ADDR_CTRL net classes directly reduces setup and hold margin and, thus, this skew must be controlled. The only way to practically match lengths on a PCB is to lengthen the shorter traces up to the length of the longest net in the net class and its associated clock. A metric to establish this maximum length is Manhattan distance. The Manhattan distance between two points on a PCB is the length between the points when connecting them only with horizontal or vertical segments. A reasonable trace route length is to within a percentage of its Manhattan distance. CACLM is defined as Clock Address Control Longest Manhattan distance.

Given the clock and address pin locations on the processor and the DDR3 memories, the maximum possible Manhattan distance can be determined given the placement. Figure 7-26 and Figure 7-27 show this distance for four loads and two loads, respectively. It is from this distance that the specifications on the lengths of the transmission lines for the address bus are determined. CACLM is determined similarly for other address bus configurations; that is, it is based on the longest net of the CK/ADDR_CTRL net class. For CK and ADDR_CTRL routing, these specifications are contained in Table 7-13.



SPRS906_PCB_DDR3_26

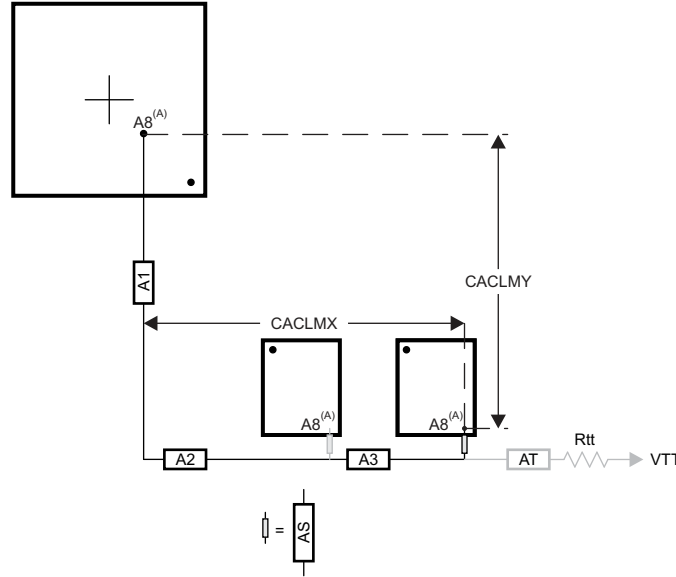
- A. It is very likely that the longest CK/ADDR_CTRL Manhattan distance will be for Address Input 8 (A8) on the DDR3 memories. CACLM is based on the longest Manhattan distance due to the device placement. Verify the net class that satisfies this criteria and use as the baseline for CK/ADDR_CTRL skew matching and length control.

The length of shorter CK/ADDR_CTRL stubs as well as the length of the terminator stub are not included in this length calculation. Non-included lengths are grayed out in the figure.

Assuming A8 is the longest, CALM = CACLMY + CACLMX + 300 mils.

The extra 300 mils allows for routing down lower than the DDR3 memories and returning up to reach A8.

Figure 7-26. CACLM for Four Address Loads on One Side of PCB



SPRS906_PCB_DDR3_27

- A. It is very likely that the longest CK/ADDR_CTRL Manhattan distance will be for Address Input 8 (A8) on the DDR3 memories. CACLM is based on the longest Manhattan distance due to the device placement. Verify the net class that satisfies this criteria and use as the baseline for CK/ADDR_CTRL skew matching and length control.

The length of shorter CK/ADDR_CTRL stubs as well as the length of the terminator stub are not included in this length calculation. Non-included lengths are grayed out in the figure.

Assuming A8 is the longest, CALM = CACLMY + CACLMX + 300 mils.
The extra 300 mils allows for routing down lower than the DDR3 memories and returning up to reach A8.

Figure 7-27. CACLM for Two Address Loads on One Side of PCB

Table 7-13. CK and ADDR_CTRL Routing Specification⁽²⁾⁽³⁾

| NO. | PARAMETER | MIN | TYP | MAX | UNIT |
|---------|--|-----|-----|--------------------|------|
| CARS31 | A1+A2 length | | | 500 ⁽¹⁾ | ps |
| CARS32 | A1+A2 skew | | | 29 | ps |
| CARS33 | A3 length | | | 125 | ps |
| CARS34 | A3 skew ⁽⁴⁾ | | | 6 | ps |
| CARS35 | A3 skew ⁽⁵⁾ | | | 6 | ps |
| CARS36 | A4 length | | | 125 | ps |
| CARS37 | A4 skew | | | 6 | ps |
| CARS38 | AS length | | 5 | 17 ⁽¹⁾ | ps |
| CARS39 | AS skew | | 1.3 | 14 ⁽¹⁾ | ps |
| CARS310 | AS+/AS- length | | 5 | 12 | ps |
| CARS311 | AS+/AS- skew | | | 1 | ps |
| CARS312 | AT length ⁽⁶⁾ | | 75 | | ps |
| CARS313 | AT skew ⁽⁷⁾ | | 14 | | ps |
| CARS314 | AT skew ⁽⁸⁾ | | | 1 | ps |
| CARS315 | CK/ADDR_CTRL trace length | | | 1020 | ps |
| CARS316 | Vias per trace | | | 3 ⁽¹⁾ | vias |
| CARS317 | Via count difference | | | 1 ⁽¹⁵⁾ | vias |
| CARS318 | Center-to-center CK to other DDR3 trace spacing ⁽⁹⁾ | 4w | | | |
| CARS319 | Center-to-center ADDR_CTRL to other DDR3 trace spacing ⁽⁹⁾⁽¹⁰⁾ | 4w | | | |
| CARS320 | Center-to-center ADDR_CTRL to other ADDR_CTRL trace spacing ⁽⁹⁾ | 3w | | | |

Table 7-13. CK and ADDR_CTRL Routing Specification⁽²⁾⁽³⁾ (continued)

| NO. | PARAMETER | MIN | TYP | MAX | UNIT |
|---------|---|------|-----|------|------|
| CARS321 | CK center-to-center spacing ⁽¹¹⁾ ⁽¹²⁾ | | | | |
| CARS322 | CK spacing to other net ⁽⁹⁾ | 4w | | | |
| CARS323 | Rcp ⁽¹³⁾ | Zo-1 | Zo | Zo+1 | Ω |
| CARS324 | Rtt ⁽¹³⁾⁽¹⁴⁾ | Zo-5 | Zo | Zo+5 | Ω |

- (1) Max value is based upon conservative signal integrity approach. This value could be extended only if detailed signal integrity analysis of rise time and fall time confirms desired operation.
- (2) The use of vias should be minimized.
- (3) Additional bypass capacitors are required when using the DDR_1V5 plane as the reference plane to allow the return current to jump between the DDR_1V5 plane and the ground plane when the net class switches layers at a via.
- (4) Non-mirrored configuration (all DDR3 memories on same side of PCB).
- (5) Mirrored configuration (one DDR3 device on top of the board and one DDR3 device on the bottom).
- (6) While this length can be increased for convenience, its length should be minimized.
- (7) ADDR_CTRL net class only (not CK net class). Minimizing this skew is recommended, but not required.
- (8) CK net class only.
- (9) Center-to-center spacing is allowed to fall to minimum 2w for up to 1250 mils of routed length.
- (10) The ADDR_CTRL net class of the other DDR EMIF is considered *other DDR3 trace spacing*.
- (11) CK spacing set to ensure proper differential impedance.
- (12) The most important thing to do is control the impedance so inadvertent impedance mismatches are not created. Generally speaking, center-to-center spacing should be either 2w or slightly larger than 2w to achieve a differential impedance equal to twice the single-ended impedance, Zo.
- (13) Source termination (series resistor at driver) is specifically not allowed.
- (14) Termination values should be uniform across the net class.
- (15) Via count difference may increase by 1 only if accurate 3-D modeling of the signal flight times – including accurately modeled signal propagation through vias – has been applied to ensure all segment skew maximums are not exceeded.

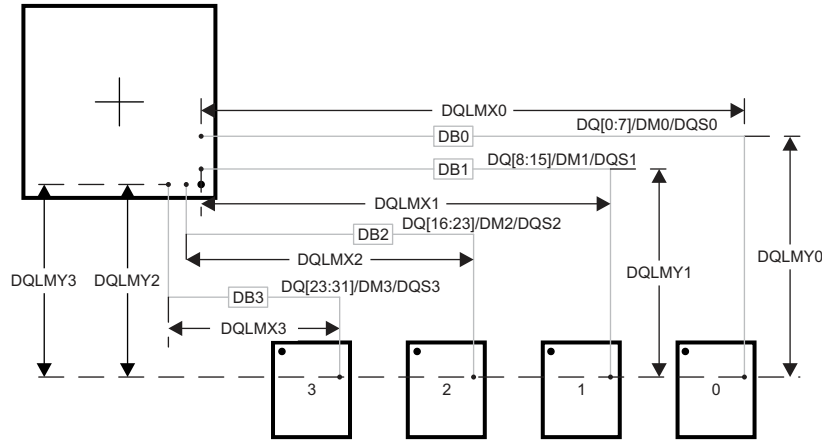
7.2.2.17.2 DQS and DQ Routing Specification

Skew within the DQS and DQ/DM net classes directly reduces setup and hold margin and thus this skew must be controlled. The only way to practically match lengths on a PCB is to lengthen the shorter traces up to the length of the longest net in the net class and its associated clock. As with CK and ADDR_CTRL, a reasonable trace route length is to within a percentage of its Manhattan distance. DQLMn is defined as DQ Longest Manhattan distance n, where n is the byte number. For a 32-bit interface, there are four DQLMs, DQLM0-DQLM3. Likewise, for a 16-bit interface, there are two DQLMs, DQLM0-DQLM1.

NOTE

It is not required, nor is it recommended, to match the lengths across all bytes. Length matching is only required within each byte.

Given the DQS and DQ/DM pin locations on the processor and the DDR3 memories, the maximum possible Manhattan distance can be determined given the placement. [Figure 7-28](#) shows this distance for four loads. It is from this distance that the specifications on the lengths of the transmission lines for the data bus are determined. For DQS and DQ/DM routing, these specifications are contained in [Table 7-14](#).



DB0 - DB3 represent data bytes 0 - 3.

SPRS906_PCB_DDR3_28

There are four DQLMs, one for each byte (32-bit interface). Each DQLM is the longest Manhattan distance of the byte; therefore:

$$\begin{aligned} \text{DQLM0} &= \text{DQLMX0} + \text{DQLMY0} \\ \text{DQLM1} &= \text{DQLMX1} + \text{DQLMY1} \\ \text{DQLM2} &= \text{DQLMX2} + \text{DQLMY2} \\ \text{DQLM3} &= \text{DQLMX3} + \text{DQLMY3} \end{aligned}$$

Figure 7-28. DQLM for Any Number of Allowed DDR3 Devices

Table 7-14. Data Routing Specification⁽²⁾

| NO. | PARAMETER | MIN | TYP | MAX | UNIT |
|--------|---|-----|-----|-------------------|------------------|
| DRS31 | DB0 length | | | 340 | ps |
| DRS32 | DB1 length | | | 340 | ps |
| DRS33 | DB2 length | | | 340 | ps |
| DRS34 | DB3 length | | | 340 | ps |
| DRS35 | DBn skew ⁽³⁾ | | | 5 | ps |
| DRS36 | DQSn+ to DQSn- skew | | | 1 | ps |
| DRS37 | DQSn to DBn skew ⁽³⁾⁽⁴⁾ | | | 5 ⁽¹⁰⁾ | ps |
| DRS38 | Vias per trace | | | 2 ⁽¹⁾ | vias |
| DRS39 | Via count difference | | | 0 ⁽¹⁰⁾ | vias |
| DRS310 | Center-to-center DBn to other DDR3 trace spacing ⁽⁶⁾ | 4 | | | w ⁽⁵⁾ |
| DRS311 | Center-to-center DBn to other DBn trace spacing ⁽⁷⁾ | 3 | | | w ⁽⁵⁾ |
| DRS312 | DQSn center-to-center spacing ^{(8) (9)} | | | | |
| DRS313 | DQSn center-to-center spacing to other net | 4 | | | w ⁽⁵⁾ |

- (1) Max value is based upon conservative signal integrity approach. This value could be extended only if detailed signal integrity analysis of rise time and fall time confirms desired operation.
- (2) External termination disallowed. Data termination should use built-in ODT functionality.
- (3) Length matching is only done within a byte. Length matching across bytes is neither required nor recommended.
- (4) Each DQS pair is length matched to its associated byte.
- (5) Center-to-center spacing is allowed to fall to minimum 2w for up to 1250 mils of routed length.
- (6) Other DDR3 trace spacing means other DDR3 net classes not within the byte.
- (7) This applies to spacing within the net classes of a byte.
- (8) DQS pair spacing is set to ensure proper differential impedance.
- (9) The most important thing to do is control the impedance so inadvertent impedance mismatches are not created. Generally speaking, center-to-center spacing should be either 2w or slightly larger than 2w to achieve a differential impedance equal to twice the singleended impedance, Zo.
- (10) Via count difference may increase by 1 only if accurate 3-D modeling of the signal flight times – including accurately modeled signal propagation through vias – has been applied to ensure DBn skew and DQSn to DBn skew maximums are not exceeded.

7.3 High Speed Differential Signal Routing Guidance

The [High-Speed Interface Layout Guidelines Application Report](#) provides guidance for successful routing of the high speed differential signals. This includes PCB stackup and materials guidance as well as routing skew, length and spacing limits. TI supports *only* designs that follow the board design guidelines contained in the application report.

7.4 Power Distribution Network Implementation Guidance

The [Sitara Processor Power Distribution Networks: Implementation and Analysis](#) provides guidance for successful implementation of the power distribution network. This includes PCB stackup guidance as well as guidance for optimizing the selection and placement of the decoupling capacitors. TI supports *only* designs that follow the board design guidelines contained in the application report.

7.5 Thermal Solution Guidance

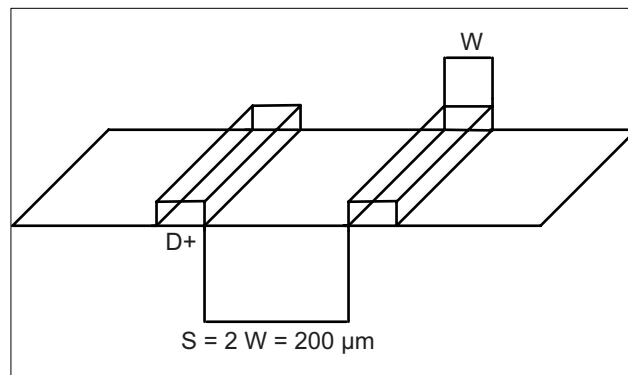
The [Thermal Design Guide for DSP and Arm Application Processors Application Report](#) and the [AM572x Thermal Considerations Application Report](#) provide guidance for successful implementation of a thermal solution for system designs that contain an AM57xx application processor. They provide background information on common terms and methods related to thermal solutions. Test data and thermal calculations are also provided for a sample design. TI supports only designs that follow the system design guidelines contained in the application reports. Devices must be operated within their rated temperature ranges at all times to maintain proper function and rated Power On Hours.

7.6 Single-Ended Interfaces

7.6.1 General Routing Guidelines

The following paragraphs detail the routing guidelines that must be observed when routing the various functional LVCMOS interfaces.

- Line spacing:
 - For a line width equal to W , the spacing between two lines must be $2W$, at least. This minimizes the crosstalk between switching signals between the different lines. On the PCB, this is not achievable everywhere (for example, when breaking signals out from the device package), but it is recommended to follow this rule as much as possible. When violating this guideline, minimize the length of the traces running parallel to each other (see [Figure 7-29](#)).



SPRS906_PCB_SE_GND_01

Figure 7-29. Ground Guard Illustration

- Length matching (unless otherwise specified):
 - For bus or traces at frequencies less than 10 MHz, the trace length matching (maximum length difference between the longest and the shortest lines) must be less than 25 mm.
 - For bus or traces at frequencies greater than 10 MHz, the trace length matching (maximum length difference between the longest and the shortest lines) must be less than 2.5 mm.
- Characteristic impedance
 - Unless otherwise specified, the characteristic impedance for single-ended interfaces is recommended to be between 35- Ω and 65- Ω .
- Multiple peripheral support
 - For interfaces where multiple peripherals have to be supported in the star topology, the length of each branch has to be balanced. Before closing the PCB design, it is highly recommended to verify signal integrity based on simulations including actual PCB extraction.

7.6.2 QSPI Board Design and Layout Guidelines

The following section details the routing guidelines that must be observed when routing the QSPI interfaces.

- The qspi1_sclk output signal must be looped back into the qspi1_rtclk input.
- The signal propagation delay from the qspi1_sclk ball to the QSPI device CLK input pin (A to C) must be approximately equal to the signal propagation delay from the QSPI device CLK pin to the qspi1_rtclk ball (C to D).
- The signal propagation delay from the QSPI device CLK pin to the qspi1_rtclk ball (C to D) must be approximately equal to the signal propagation delay of the control and data signals between the QSPI device and the SoC device (E to F, or F to E).
- The signal propagation delay from the qspi1_sclk signal to the series terminators ($R2 = 10 \Omega$) near the QSPI device must be $< 450\text{pS}$ ($\sim 7\text{cm}$ as stripline or $\sim 8\text{cm}$ as microstrip)
- 50 Ω PCB routing is recommended along with series terminations, as shown in [Figure 7-30](#).
- Propagation delays and matching:
 - A to C = C to D = E to F.
 - Matching skew: $< 60\text{pS}$
 - A to B $< 450\text{pS}$
 - B to C = as small as possible ($< 60\text{pS}$)

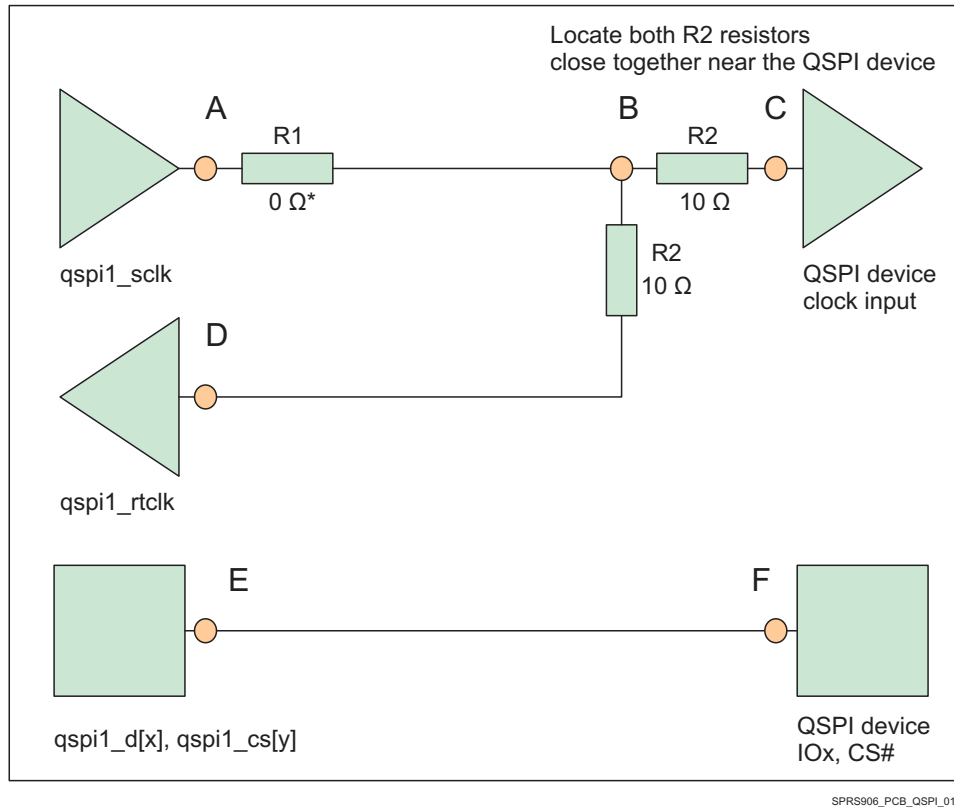


Figure 7-30. QSPI Interface High Level Schematic

NOTE

*0 Ω resistor (R1), located as close as possible to the qspi1_sclk pin, is placeholder for fine-tuning if needed.

7.7 LJC_B_REFN/P Connections

A Common Refclk Rx Architecture is required to be used for the device PCIe interface. Specifically, two modes of Common Refclk Rx Architecture are supported:

- **External REFCLK Mode:** An common external 100MHz clock source is distributed to both the Device and the link partner
- **Output REFCLK Mode:** A 100MHz HCSL clock source is output by the device and used by the link partner

In **External REFCLK Mode**, a high-quality, low-jitter, differential HCSL 100MHz clock source compliant to the PCIe REFCLK AC Specifications should be provided on the Device's ljcb_clk_n / ljcb_clk_p inputs.

Alternatively, an LVDS clock source can be used with the following additional requirements:

- External AC coupling capacitors described in should be populated at the ljcb_clk_n / ljcb_clk_p inputs.
- All termination requirements (ex. parallel 100ohm termination) from the clock source manufacturer should be followed.

In **Output REFCLK Mode**, the 100MHz clock from the Device's DPLL_PCIE_REF should be output on the Device's ljcb_clk_n / ljcb_clk_p pins and used as the HCSL REFCLK by the link partner. External near-side termination to ground described in is required on both of the ljcb_clk_n / ljcb_clk_p outputs in this mode.

Table 7-15. LJCB_REFN/P Requirements in External LVDS REFCLK Mode

| PARAMETER | MIN | TYP | MAX | UNIT |
|--|-----|------|------|------|
| ljcb_clkn / ljcb_clkp AC coupling capacitor value | | 100 | | nF |
| ljcb_clkn / ljcb_clkp AC coupling capacitor package size | | 0402 | 0603 | EIA |

(1) EIA LxW units, i.e., a 0402 is a 40x20 mils surface mount capacitor.

(2) The physical size of the capacitor should be as small as practical. Use the same size on both lines in each pair placed side by side.

Table 7-16. LJCB_REFN/P Requirements in Output REFCLK Mode

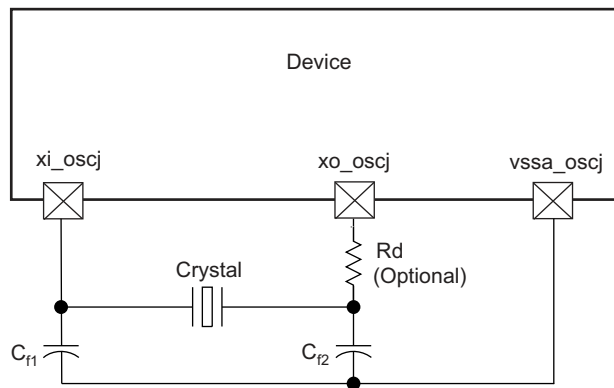
| PARAMETER | MIN | TYP | MAX | UNIT |
|---|------|-----|------|------|
| ljcb_clkn / ljcb_clkp near-side termination to ground value | 47.5 | 50 | 52.5 | Ohms |

7.8 Clock Routing Guidelines

7.8.1 Oscillator Ground Connection

Although the impedance of a ground plane is low it is, of course, not zero. Therefore, any noise current in the ground plane causes a voltage drop in the ground.

Figure 7-31 shows the grounding scheme for high-frequency clock.



SPRS906_PCB_CLK_OSC_03

(1) j in *_osc = 0 or 1

Figure 7-31. Grounding Scheme for High-Frequency Clock

8 Device and Documentation Support

TI offers an extensive line of development tools, including methods to evaluate the performance of the processors, generate code, develop algorithm implementations, and fully integrate and debug software and hardware modules as listed below.

8.1 Device Nomenclature

To designate the stages in the product development cycle, TI assigns prefixes to the part numbers of all microprocessors (MPUs) and support tools. Each device has one of three prefixes: X, P, or null (no prefix) (for example, *AM570x*). Texas Instruments recommends two of three possible prefix designators for its support tools: TMDX and TMDS. These prefixes represent evolutionary stages of product development from engineering prototypes (TMDX) through fully qualified production devices and tools (TMDS).

Device development evolutionary flow:

- X** Experimental device that is not necessarily representative of the final device's electrical specifications and may not use production assembly flow.
- P** Prototype device that is not necessarily the final silicon die and may not necessarily meet final electrical specifications.
- null** Production version of the silicon die that is fully qualified.

Support tool development evolutionary flow:

- TMDX** Development-support product that has not yet completed Texas Instruments internal qualification testing.
- TMDS** Fully-qualified development-support product.

X and P devices and TMDX development-support tools are shipped against the following disclaimer:

"Developmental product is intended for internal evaluation purposes."

Production devices and TMDS development-support tools have been characterized fully, and the quality and reliability of the device have been demonstrated fully. TI's standard warranty applies.

Predictions show that prototype devices (X or P) have a greater failure rate than the standard production devices. Texas Instruments recommends that these devices not be used in any production system because their expected end-use failure rate still is undefined. Only qualified production devices are to be used.

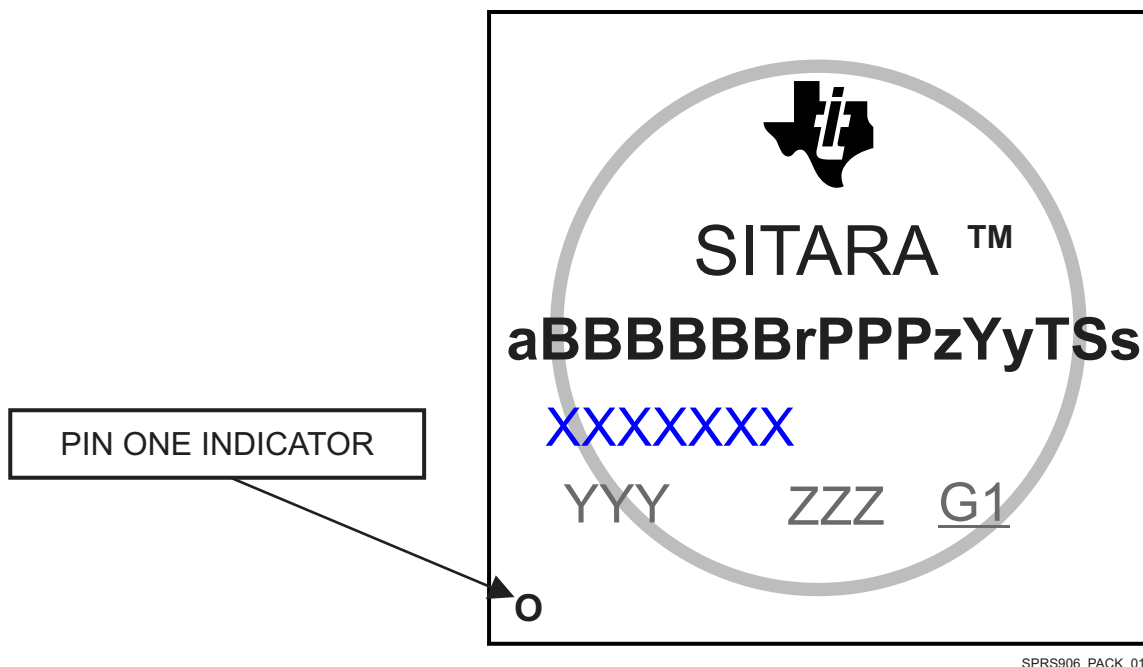
For orderable part numbers of AM570x devices in the CBD package type, see the Package Option Addendum of this document, the TI website (ti.com), or contact your TI sales representative.

For additional description of the device nomenclature markings on the die, see the [AM571x \(SR 2.0, 1.0\)](#) and [AM570x \(SR 2.1, 2.0\) Sitara™ Processors](#).

8.1.1 Standard Package Symbolization

NOTE

Some devices may have a cosmetic circular marking visible on the top of the device package which results from the production test process. In addition, some devices may also show a color variation in the package substrate which results from the substrate manufacturer. These differences are cosmetic only with no reliability impact.



SPRS906_PACK_01

Figure 8-1. Printed Device Reference

8.1.2 Device Naming Convention

Table 8-1. Nomenclature Description

| FIELD PARAMETER | FIELD DESCRIPTION | VALUE | DESCRIPTION |
|-----------------|---------------------------------------|--------|--|
| a | Device evolution stage ⁽¹⁾ | X | Prototype |
| | | P | Preproduction (production test flow, no reliability data) |
| | | BLANK | Production |
| BBBBBB | Base production part number | AM5708 | HighTier (See Table 3-1, Device Comparison) |
| | | AM5706 | Low Tier (See Table 3-1, Device Comparison) |
| r | Device revision | BLANK | SR 1.0 |
| | | A | SR 2.0 |
| | | B | SR 2.1 |
| PPP | Package designator | CBD | CBD FCBGA-N538 (17mm × 17mm) Package |
| z | Device Speed | J | Indicates the speed grade for each of the cores in the device. For more information see Table 5-2, Speed Grade Maximum Frequency |
| | | D | |
| | | OTHER | |
| Yy | Device Type | E | All industrial protocols enabled (basic protocols plus EtherCAT slave and POWERLINK slave) |
| | | BLANK | Basic industrial protocols enabled |
| T | Temperature ⁽²⁾ | A | Extended (see Section 5.4, Recommended Operating Conditions) |
| | | BLANK | Commercial (see Section 5.4, Recommended Operating Conditions) |
| Ss | Security Level | S | High-Security device, Secure Boot Supported |
| | | Ss | Dummy key High-Security device, Secure Boot Supported |
| | | BLANK | General Purpose Device/Customer specific HS device |
| XXXXXXX | Lot Trace Code | | |
| YYY | Production Code, For TI use only | | |
| ZZZ | Production Code, For TI use only | | |
| O | Pin one designator | | |

Table 8-1. Nomenclature Description (continued)

| FIELD PARAMETER | FIELD DESCRIPTION | VALUE | DESCRIPTION |
|-----------------|-------------------------------|-------|-------------|
| G1 | ECAT—Green package designator | | |

- (1) To designate the stages in the product development cycle, TI assigns prefixes to the part numbers. These prefixes represent evolutionary stages of product development from engineering prototypes through fully qualified production devices. Prototype devices are shipped against the following disclaimer:
 “This product is still under development and is intended for internal evaluation purposes.”
 Notwithstanding any provision to the contrary, TI makes no warranty expressed, implied, or statutory, including any implied warranty of merchantability of fitness for a specific purpose, of this device.
- (2) Applies to device max junction temperature.

NOTE

BLANK in the symbol or part number is collapsed so there are no gaps between characters.

8.2 Tools and Software

The following products support development for AM570x platforms:

Development tools

Clock Tree Tool for Sitara, Automotive, Vision Analytics, & Digital Signal Processors

The Clock Tree Tool (CTT) for Sitara™ Arm®, Automotive, and Digital Signal Processors is an interactive clock tree configuration software that provides information about the clocks and modules in these TI devices. It allows the user to: Visualize the device clock tree. Interact with clock tree elements and view the effect on PRCM registers. Interact with the PRCM registers and view the effect on the device clock tree. View a trace of all the device registers affected by the user interaction with clock tree.

Code Composer Studio (CCS) Integrated Development Environment (IDE)

Code Composer Studio is an integrated development environment (IDE) that supports TI's Microcontroller and Embedded Processors portfolio. Code Composer Studio comprises a suite of tools used to develop and debug embedded applications. It includes an optimizing C/C++ compiler, source code editor, project build environment, debugger, profiler, and many other features. The intuitive IDE provides a single user interface taking you through each step of the application development flow. Familiar tools and interfaces allow users to get started faster than ever before. Code Composer Studio combines the advantages of the Eclipse software framework with advanced embedded debug capabilities from TI resulting in a compelling feature-rich development environment for embedded developers.

Pin mux tool

The Pin MUX Utility is a software tool which provides a Graphical User Interface for configuring pin multiplexing settings, resolving conflicts and specifying I/O cell characteristics for TI MPUs. Results are output as C header/code files that can be imported into software development kits (SDKs) or used to configure customer's custom software. Version 4 of the Pin Mux utility adds the capability of automatically selecting a mux configuration that satisfies the entered requirements.

Power Estimation Tool (PET)

Power Estimation Tool (PET) provides users the ability to gain insight in to the power consumption of select TI processors. The tool includes the ability for the user to choose multiple application scenarios and understand the power consumption as well as how advanced power saving techniques can be applied to further reduce overall power consumption.

XDS110 JTAG Debug Probe

The Texas Instruments XDS110 is a new class of debug probe (emulator) for TI embedded processors. The XDS110 replaces the XDS100 family while supporting a wider variety of standards (IEEE1149.1, IEEE1149.7, SWD) in a single pod. Also, all XDS debug probes support Core and System Trace in all Arm and DSP processors that feature an Embedded Trace Buffer (ETB).

The Texas Instruments XDS110 connects to the target board via a TI 20-pin connector (with multiple adapters for TI 14-pin and, Arm 10-pin and Arm 20-pin) and to the host PC via USB2.0 High Speed (480Mbps). It also features two additional connections: the Auxiliary 14-

pin port connector that enables EnergyTrace™, a full duplex UART port and four General-Purpose I/Os, and the Expansion 30-pin connector to connect the XDS110 EnergyTrace HDR add-on.

Models

[AM570x BSDL Model](#) BSDL Model

[AM570x IBIS Model](#) IBIS Model

[AM570x Thermal Model](#) Thermal Model

For a complete listing of development-support tools for the processor platform, visit the Texas Instruments website at ti.com. For information on pricing and availability, contact the nearest TI field sales office or authorized distributor.

8.3 Documentation Support

To receive notification of documentation updates, navigate to the device product folder on ti.com. In the upper right corner, click on *Alert me* to register and receive a weekly digest of any product information that has changed. For change details, review the revision history included in any revised document.

The following documents describe the AM570x devices.

Technical Reference Manual

[AM571x \(SR2.0, SR1.0\) AM570x \(SR2.1, SR2.0\) Sitara™ Processors](#)

Details the integration, the environment, the functional description, and the programming models for each peripheral and subsystem in the TDA3 family of devices.

Errata

[AM571x \(SR 2.0, 1.0\) and AM570x \(SR 2.1, 2.0\) Sitara™ Processors](#)

Describes the known exceptions to the functional specifications for the device.

8.4 Related Links

The table below lists quick access links. Categories include technical documents, support and community resources, tools and software, and quick access to order now.

Table 8-2. Related Links

| PARTS | PRODUCT FOLDER | ORDER NOW | TECHNICAL DOCUMENTS | TOOLS & SOFTWARE | SUPPORT & COMMUNITY |
|--------|----------------------------|----------------------------|----------------------------|----------------------------|----------------------------|
| AM5706 | Click here | Click here | Click here | Click here | Click here |
| AM5708 | Click here | Click here | Click here | Click here | Click here |

8.5 Support Resources

[TI E2E™ support forums](#) are an engineer's go-to source for fast, verified answers and design help — straight from the experts. Search existing answers or ask your own question to get the quick design help you need.

Linked content is provided "AS IS" by the respective contributors. They do not constitute TI specifications and do not necessarily reflect TI's views; see TI's [Terms of Use](#).

8.6 Trademarks

Sitara, E2E are trademarks of Texas Instruments.

Vivante is a registered trademark of Vivante Corporation.

TrustZone, Neon, CoreSight are trademarks of Arm Limited (or its subsidiaries) in the US and/or elsewhere.

Arm, Cortex are registered trademarks of Arm Limited (or its subsidiaries) in the US and/or elsewhere.

HDQ is a trademark of Benchmarq.

HDMI is a trademark of HDMI Licensing, LLC.

PowerVR is a trademark of Imagination Technologies Limited.
JTAG is a registered trademark of JTAG Technologies, Inc.
1-wire is a registered trademark of Maxim Integrated.
MIPI is a trademark of Mobile Industry Processor Interface (MIPI) Alliance.
MMC is a trademark of MultiMediaCard Association.
SD is a registered trademark of Toshiba Corporation.
All other trademarks are the property of their respective owners.

8.7 Electrostatic Discharge Caution



This integrated circuit can be damaged by ESD. Texas Instruments recommends that all integrated circuits be handled with appropriate precautions. Failure to observe proper handling and installation procedures can cause damage.

ESD damage can range from subtle performance degradation to complete device failure. Precision integrated circuits may be more susceptible to damage because very small parametric changes could cause the device not to meet its published specifications.

8.8 Glossary

[TI Glossary](#) This glossary lists and explains terms, acronyms, and definitions.

9 Mechanical, Packaging, and Orderable Information

9.1 Packaging Information

The following pages include mechanical, packaging, and orderable information. This information is the most current data available for the designated devices. This data is subject to change without notice and revision of this document. For browser-based versions of this data sheet, refer to the left-hand navigation.

The device package has been specially engineered with a new technology called Via Channel. The Via Channel Array technology allows larger than normal PCB via sizes and reduces PCB signal layers to be used in a PCB design with this 0.65-mm pitch package, and will substantially reduce PCB costs. Via Channel also allows PCB routing in only two signal layers (four layers total) due to the increased layer efficiency of the Via Channel BGA technology.

PACKAGING INFORMATION

| Orderable Device | Status (1) | Package Type | Package Drawing | Pins | Package Qty | Eco Plan (2) | Lead finish/ Ball material (6) | MSL Peak Temp (3) | Op Temp (°C) | Device Marking (4/5) | Samples |
|------------------|---------------|--------------|-----------------|------|-------------|-----------------|--------------------------------------|----------------------|--------------|--|-------------------------|
| AM5706BCBDD | ACTIVE | FCCSP | CBD | 538 | 84 | RoHS & Green | Call TI | Level-3-260C-168 HR | 0 to 90 | AM5706BCBDD SITARA(TM) 784 784 CBD G1 | Samples |
| AM5706BCBDDA | ACTIVE | FCCSP | CBD | 538 | 84 | RoHS & Green | Call TI | Level-3-260C-168 HR | -40 to 105 | AM5706BCBDDA SITARA(TM) 784 784 CBD G1 | Samples |
| AM5706BCBDDEA | ACTIVE | FCCSP | CBD | 538 | 84 | RoHS & Green | Call TI | Level-3-260C-168 HR | -40 to 105 | AM5706BCBDDEA SITARA(TM) 784 784 CBD G1 | Samples |
| AM5706BCBDJ | ACTIVE | FCCSP | CBD | 538 | 84 | RoHS & Green | Call TI | Level-3-260C-168 HR | 0 to 90 | AM5706BCBDJ SITARA(TM) 784 784 CBD G1 | Samples |
| AM5706BCBDJA | ACTIVE | FCCSP | CBD | 538 | 84 | RoHS & Green | Call TI | Level-3-260C-168 HR | -40 to 105 | AM5706BCBDJA SITARA(TM) 784 784 CBD G1 | Samples |
| AM5706BCBDJEA | ACTIVE | FCCSP | CBD | 538 | 84 | RoHS & Green | Call TI | Level-3-260C-168 HR | -40 to 105 | AM5706BCBDJEA SITARA(TM) 784 784 CBD G1 | Samples |
| AM5708BCBDJ | ACTIVE | FCCSP | CBD | 538 | 84 | RoHS & Green | Call TI | Level-3-260C-168 HR | 0 to 90 | AM5708BCBDJ SITARA(TM) 784 784 CBD G1 | Samples |
| AM5708BCBDJA | ACTIVE | FCCSP | CBD | 538 | 84 | RoHS & Green | Call TI | Level-3-260C-168 HR | -40 to 105 | AM5708BCBDJA SITARA(TM) 784 784 CBD G1 | Samples |
| AM5708BCBDJAR | ACTIVE | FCCSP | CBD | 538 | 750 | RoHS & Green | Call TI | Level-3-260C-168 HR | -40 to 105 | AM5708BCBDJA SITARA(TM) 784 784 CBD G1 | Samples |

| Orderable Device | Status (1) | Package Type | Package Drawing | Pins | Package Qty | Eco Plan (2) | Lead finish/ Ball material (6) | MSL Peak Temp (3) | Op Temp (°C) | Device Marking (4/5) | Samples |
|------------------|---------------|--------------|-----------------|------|-------------|-----------------|--------------------------------------|----------------------|--------------|--|---------|
| AM5708BCBDJEA | ACTIVE | FCCSP | CBD | 538 | 84 | RoHS & Green | Call TI | Level-3-260C-168 HR | -40 to 105 | AM5708BCBDJEA SITARA(TM) 784 784 CBD G1 | Samples |
| AM5708BCBDJEAR | ACTIVE | FCCSP | CBD | 538 | 750 | RoHS & Green | Call TI | Level-3-260C-168 HR | -40 to 105 | AM5708BCBDJEA SITARA(TM) 784 784 CBD G1 | Samples |
| AM5708BCBDJR | ACTIVE | FCCSP | CBD | 538 | 750 | RoHS & Green | Call TI | Level-3-260C-168 HR | 0 to 90 | AM5708BCBDJ SITARA(TM) 784 784 CBD G1 | Samples |

(1) The marketing status values are defined as follows:

ACTIVE: Product device recommended for new designs.

LIFEBUY: TI has announced that the device will be discontinued, and a lifetime-buy period is in effect.

NRND: Not recommended for new designs. Device is in production to support existing customers, but TI does not recommend using this part in a new design.

PREVIEW: Device has been announced but is not in production. Samples may or may not be available.

OBSELETE: TI has discontinued the production of the device.

(2) **RoHS:** TI defines "RoHS" to mean semiconductor products that are compliant with the current EU RoHS requirements for all 10 RoHS substances, including the requirement that RoHS substance do not exceed 0.1% by weight in homogeneous materials. Where designed to be soldered at high temperatures, "RoHS" products are suitable for use in specified lead-free processes. TI may reference these types of products as "Pb-Free".

RoHS Exempt: TI defines "RoHS Exempt" to mean products that contain lead but are compliant with EU RoHS pursuant to a specific EU RoHS exemption.

Green: TI defines "Green" to mean the content of Chlorine (Cl) and Bromine (Br) based flame retardants meet JS709B low halogen requirements of <=1000ppm threshold. Antimony trioxide based flame retardants must also meet the <=1000ppm threshold requirement.

(3) MSL, Peak Temp. - The Moisture Sensitivity Level rating according to the JEDEC industry standard classifications, and peak solder temperature.

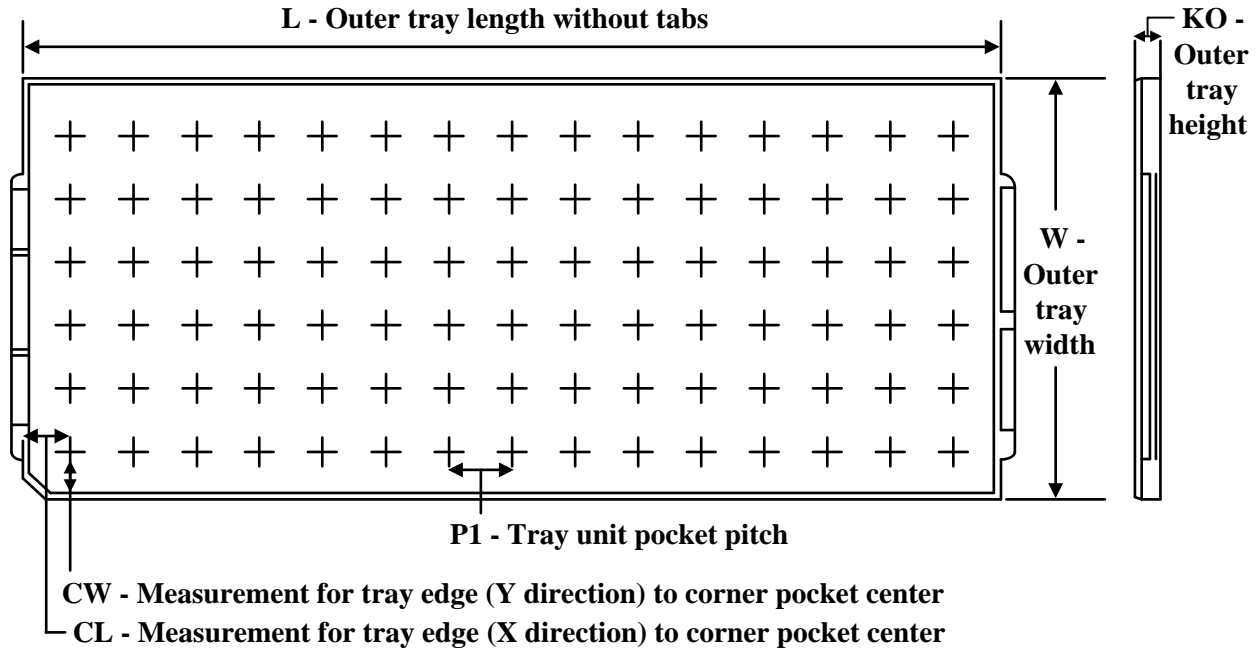
(4) There may be additional marking, which relates to the logo, the lot trace code information, or the environmental category on the device.

(5) Multiple Device Markings will be inside parentheses. Only one Device Marking contained in parentheses and separated by a "-" will appear on a device. If a line is indented then it is a continuation of the previous line and the two combined represent the entire Device Marking for that device.

(6) Lead finish/Ball material - Orderable Devices may have multiple material finish options. Finish options are separated by a vertical ruled line. Lead finish/Ball material values may wrap to two lines if the finish value exceeds the maximum column width.

Important Information and Disclaimer: The information provided on this page represents TI's knowledge and belief as of the date that it is provided. TI bases its knowledge and belief on information provided by third parties, and makes no representation or warranty as to the accuracy of such information. Efforts are underway to better integrate information from third parties. TI has taken and continues to take reasonable steps to provide representative and accurate information but may not have conducted destructive testing or chemical analysis on incoming materials and chemicals. TI and TI suppliers consider certain information to be proprietary, and thus CAS numbers and other limited information may not be available for release.

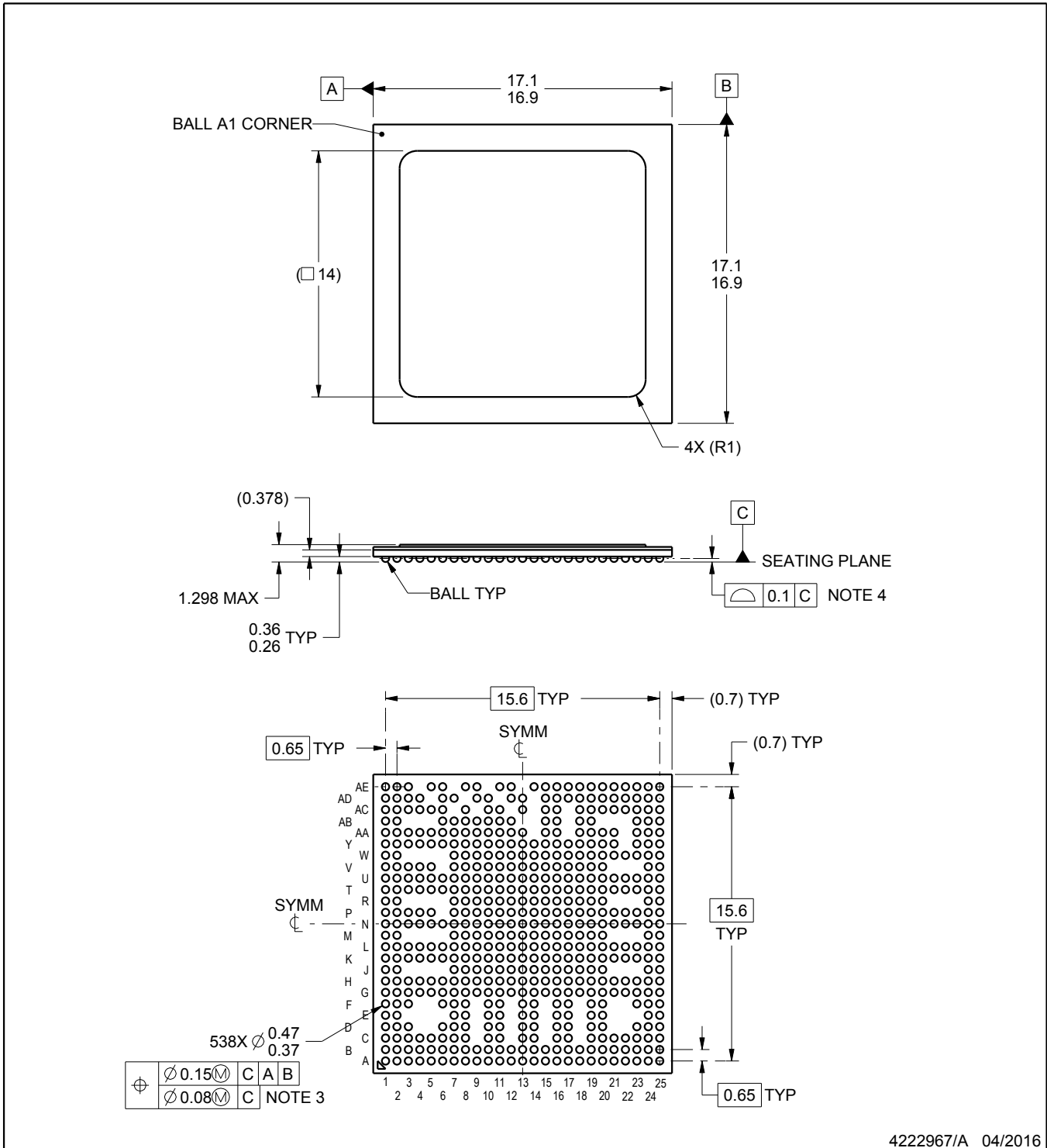
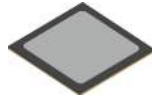
In no event shall TI's liability arising out of such information exceed the total purchase price of the TI part(s) at issue in this document sold by TI to Customer on an annual basis.

TRAY


Chamfer on Tray corner indicates Pin 1 orientation of packed units.

*All dimensions are nominal

| Device | Package Name | Package Type | Pins | SPQ | Unit array matrix | Max temperature (°C) | L (mm) | W (mm) | K0 (µm) | P1 (mm) | CL (mm) | CW (mm) |
|---------------|--------------|--------------|------|-----|-------------------|----------------------|--------|--------|---------|---------|---------|---------|
| AM5706BCBDD | CBD | FCCSP | 538 | 84 | 6 X 14 | 150 | 315 | 135.9 | 7620 | 22 | 14.5 | 14.45 |
| AM5706BCBDDA | CBD | FCCSP | 538 | 84 | 6 X 14 | 150 | 315 | 135.9 | 7620 | 22 | 14.5 | 14.45 |
| AM5706BCBDDEA | CBD | FCCSP | 538 | 84 | 6 X 14 | 150 | 315 | 135.9 | 7620 | 22 | 14.5 | 14.45 |
| AM5706BCBDJ | CBD | FCCSP | 538 | 84 | 6 X 14 | 150 | 315 | 135.9 | 7620 | 22 | 14.5 | 14.45 |
| AM5706BCBDJA | CBD | FCCSP | 538 | 84 | 6 X 14 | 150 | 315 | 135.9 | 7620 | 22 | 14.5 | 14.45 |
| AM5706BCBDJEA | CBD | FCCSP | 538 | 84 | 6 X 14 | 150 | 315 | 135.9 | 7620 | 22 | 14.5 | 14.45 |
| AM5708BCBDJ | CBD | FCCSP | 538 | 84 | 6 X 14 | 150 | 315 | 135.9 | 7620 | 22 | 14.5 | 14.45 |
| AM5708BCBDJA | CBD | FCCSP | 538 | 84 | 6 X 14 | 150 | 315 | 135.9 | 7620 | 22 | 14.5 | 14.45 |
| AM5708BCBDJEA | CBD | FCCSP | 538 | 84 | 6 X 14 | 150 | 315 | 135.9 | 7620 | 22 | 14.5 | 14.45 |



4222967/A 04/2016

NOTES:

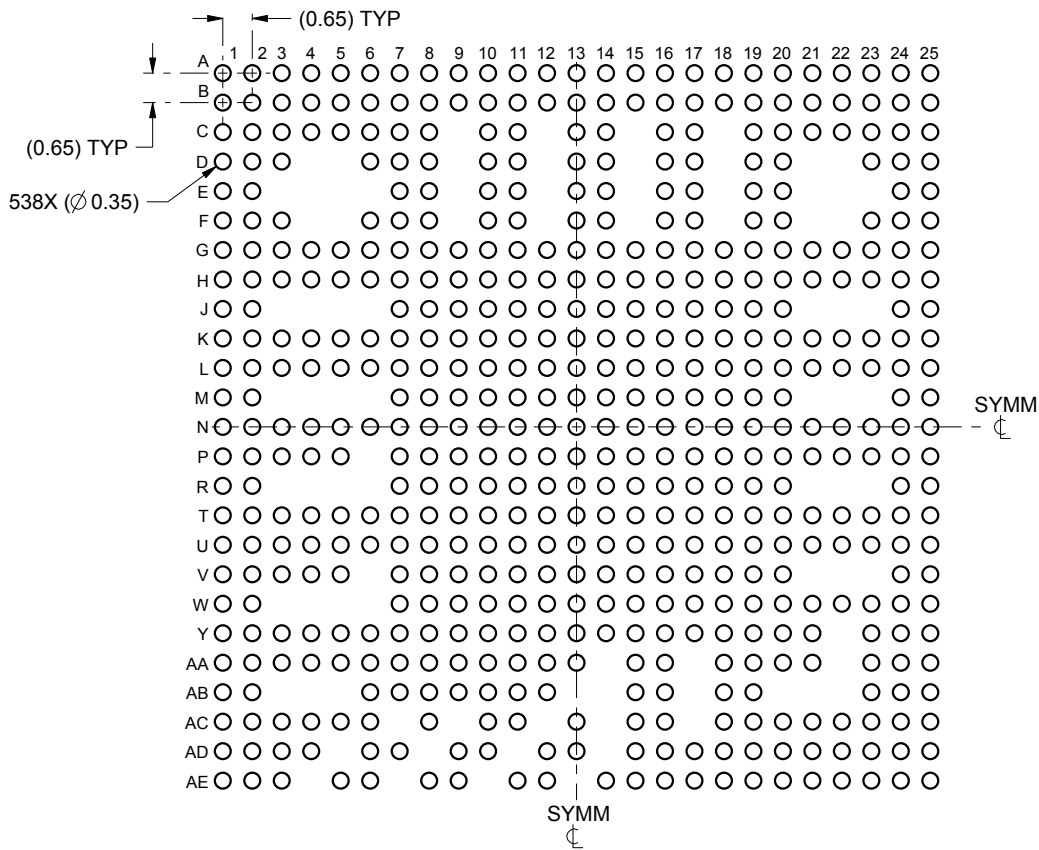
1. All linear dimensions are in millimeters. Any dimensions in parenthesis are for reference only. Dimensioning and tolerancing per ASME Y14.5M.
2. This drawing is subject to change without notice.
3. Dimension is measured at the maximum solder ball diameter, parallel to primary datum C.
4. Primary datum C and seating plane are defined by the spherical crowns of the solder balls.

EXAMPLE BOARD LAYOUT

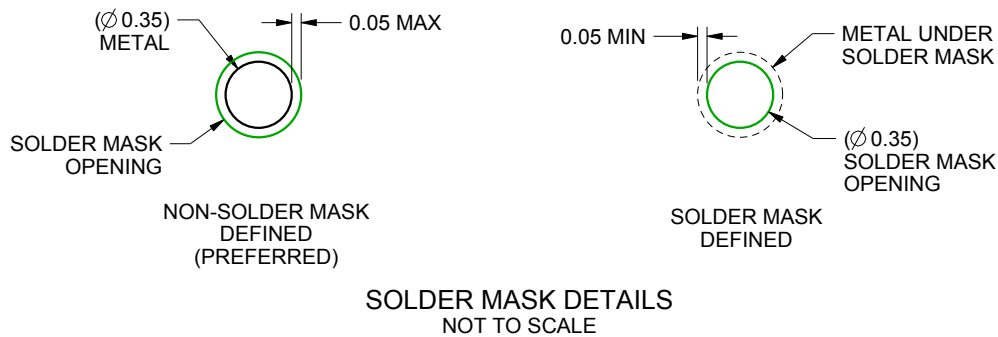
CBD0538A

FCBGA - 1.298 mm max height

BALL GRID ARRAY



LAND PATTERN EXAMPLE
SCALE:6X



4222967/A 04/2016

NOTES: (continued)

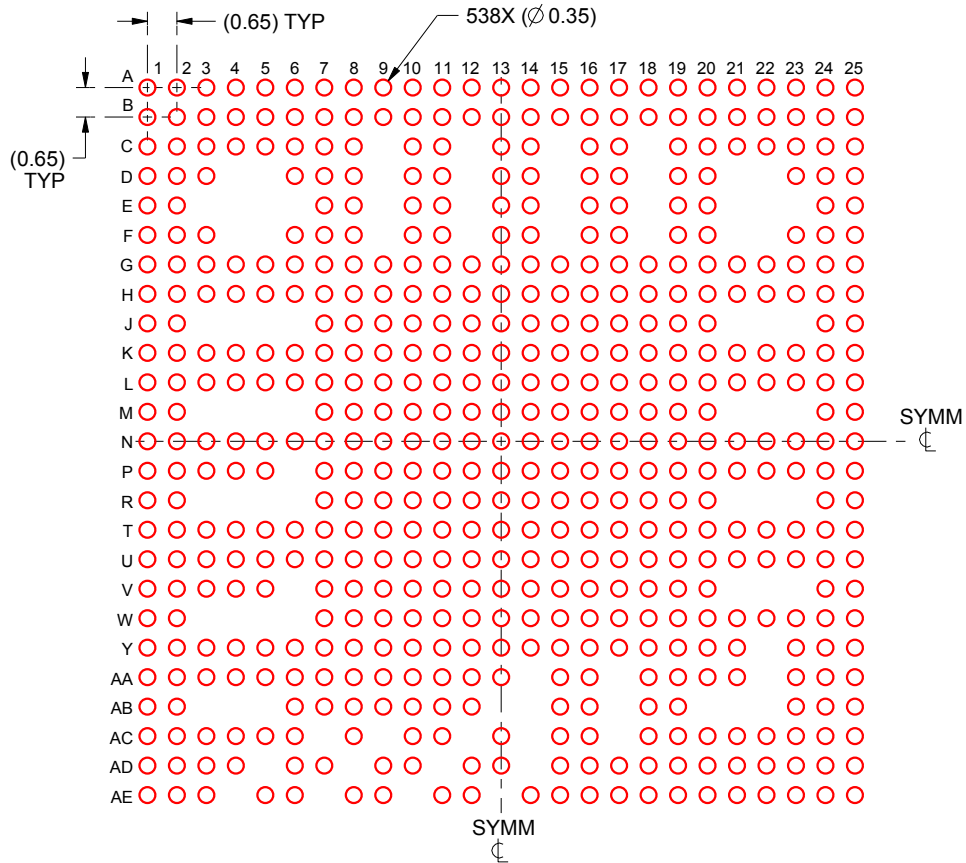
- Final dimensions may vary due to manufacturing tolerance considerations and also routing constraints. For more information, see Texas Instruments literature number SPRU811 (www.ti.com/lit/spru811).

EXAMPLE STENCIL DESIGN

CBD0538A

FCBGA - 1.298 mm max height

BALL GRID ARRAY



SOLDER PASTE EXAMPLE
BASED ON 0.15 mm THICK STENCIL
SCALE:6X

4222967/A 04/2016

NOTES: (continued)

6. Laser cutting apertures with trapezoidal walls and rounded corners may offer better paste release.

IMPORTANT NOTICE AND DISCLAIMER

TI PROVIDES TECHNICAL AND RELIABILITY DATA (INCLUDING DATA SHEETS), DESIGN RESOURCES (INCLUDING REFERENCE DESIGNS), APPLICATION OR OTHER DESIGN ADVICE, WEB TOOLS, SAFETY INFORMATION, AND OTHER RESOURCES "AS IS" AND WITH ALL FAULTS, AND DISCLAIMS ALL WARRANTIES, EXPRESS AND IMPLIED, INCLUDING WITHOUT LIMITATION ANY IMPLIED WARRANTIES OF MERCHANTABILITY, FITNESS FOR A PARTICULAR PURPOSE OR NON-INFRINGEMENT OF THIRD PARTY INTELLECTUAL PROPERTY RIGHTS.

These resources are intended for skilled developers designing with TI products. You are solely responsible for (1) selecting the appropriate TI products for your application, (2) designing, validating and testing your application, and (3) ensuring your application meets applicable standards, and any other safety, security, regulatory or other requirements.

These resources are subject to change without notice. TI grants you permission to use these resources only for development of an application that uses the TI products described in the resource. Other reproduction and display of these resources is prohibited. No license is granted to any other TI intellectual property right or to any third party intellectual property right. TI disclaims responsibility for, and you will fully indemnify TI and its representatives against, any claims, damages, costs, losses, and liabilities arising out of your use of these resources.

TI's products are provided subject to [TI's Terms of Sale](#) or other applicable terms available either on [ti.com](https://www.ti.com) or provided in conjunction with such TI products. TI's provision of these resources does not expand or otherwise alter TI's applicable warranties or warranty disclaimers for TI products.

TI objects to and rejects any additional or different terms you may have proposed.

Mailing Address: Texas Instruments, Post Office Box 655303, Dallas, Texas 75265
Copyright © 2023, Texas Instruments Incorporated