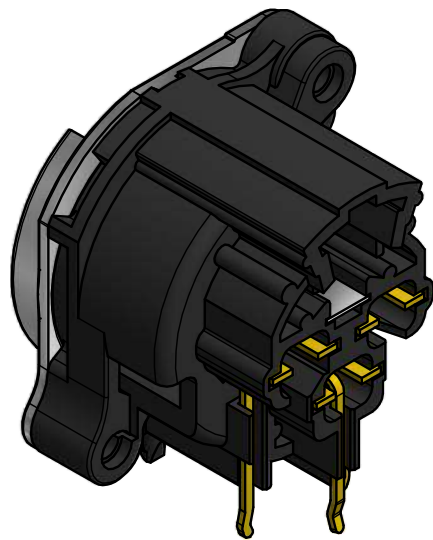
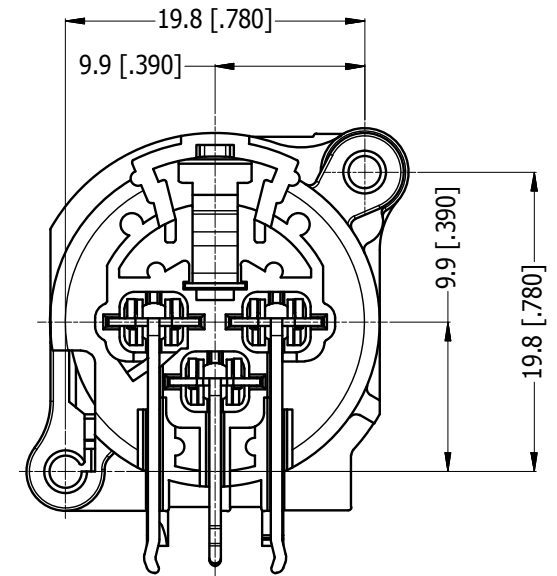
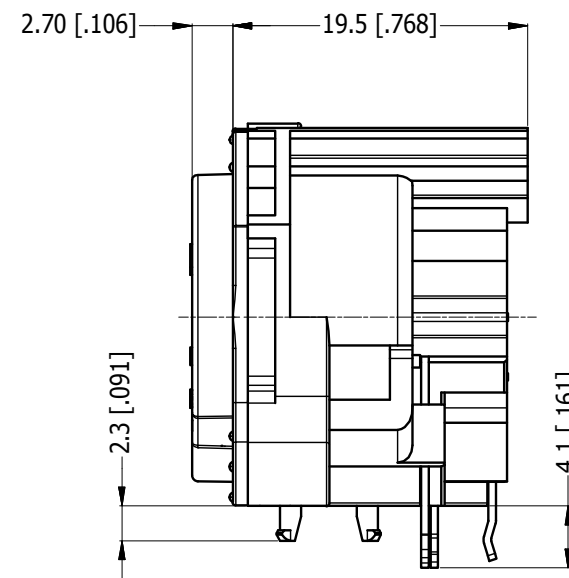
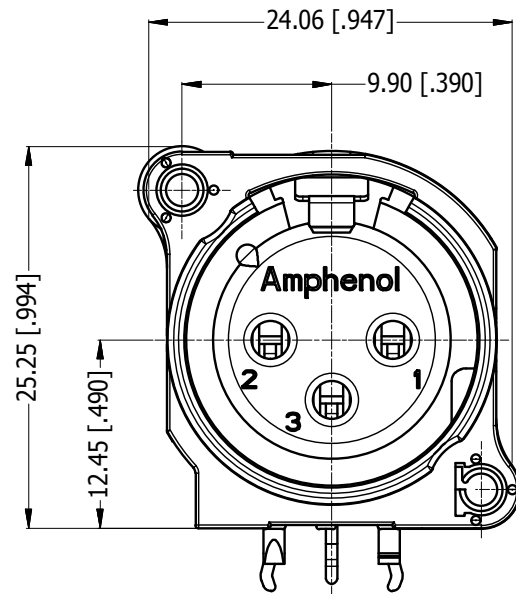
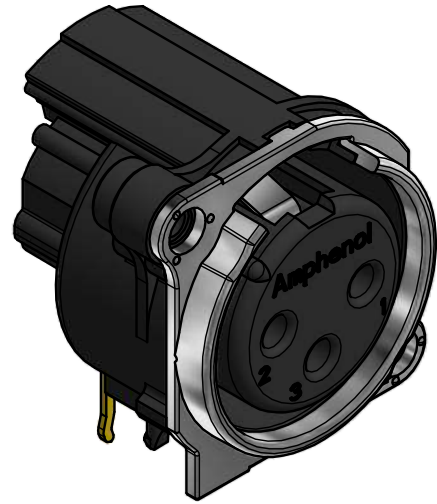
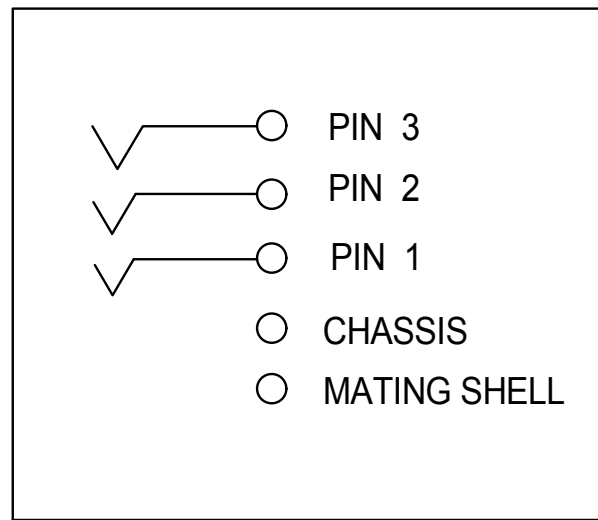


LEGEND = KEY PRODUCT CHARACTERISTICS

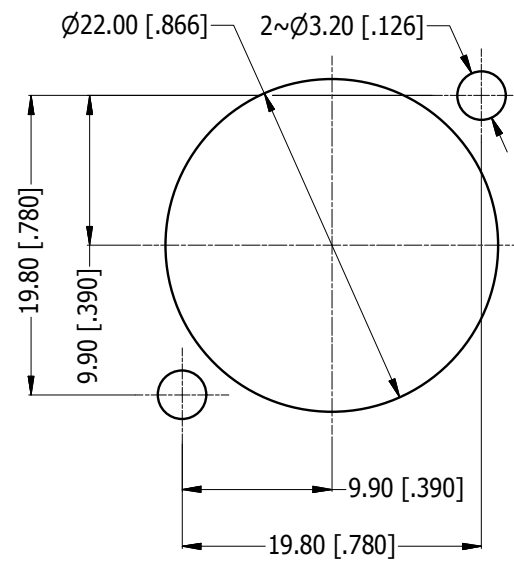
REVISION HISTORY				
REV	DESCRIPTION	DATE	BY	CHG/No
0	FIRST ISSUE	06-04-18	MH	----



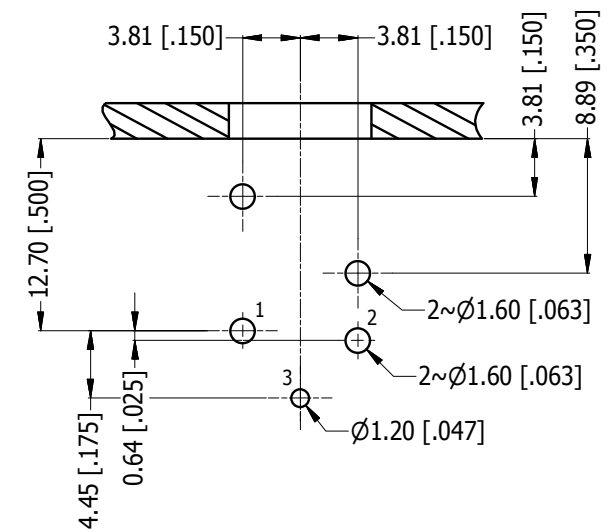
ISO VIEW



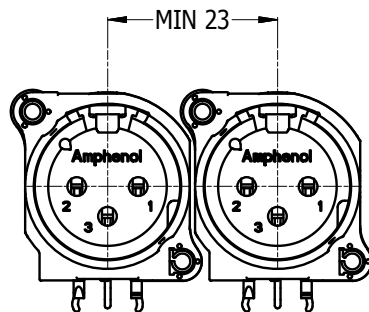
SCHMATIC CHART



PANEL CUT OUT
REAR VIEW



PCB-LAYOUT
COMPONENT SIDE
TOLERANCE: ± 0.05mm [.002"]



MIN MOUNTING PITCH
SCALE 1:1

PART NUMBER TABLE	
PART NUMBER	METAL FLANGE FINISH
AC3FBHL-AU-PRE	SATIN NICKEL
AC3FBHBL-AU-PRE	MATT BLACK

UNLESS OTHERWISE SPECIFIED TOLERANCE TO BE		THIS DOCUMENT IS THE PROPERTY OF AMPHENOL AUSTRALIA PTY. LTD. NO PART THEREOF MAY BE REPRODUCED AND USED WITHOUT THE PRIOR WRITTEN CONSENT OF THE OWNER			
LINEAR	ANGULAR	MATERIAL:	DRN:	MH	DATE: 06-04-18
X ±0.5	X' ±1	REFER TO COMPONENT	CKD:	MH	DATE: 06-04-18
X.X ±0.2	X.X' ±30'	BREAK ALL SHARP EDGES AND REMOVE ALL BURRS	APP'D:	PM	DATE: 06-04-18
X.XX ±0.1	X.XX' ±15'	DO NOT SCALE	FINISH: REFER TO COMPONENT	SCALE:	2:1
DIMENSIONS IN MILLIMETRES		THIRD ANGLE PROJECTION		SIZE:	A3

Amphenol Amphenol Australia Pty.Ltd. 22 Industry Blvd, Carrum Downs, VIC 3201	
TITLE: LATCHLESS HORIZONTAL FEMALE CUSTOMER DRAWING	PART No: REFER TO PN TABLE
DRAWING NO. 55011304-000-2	SHEET 2/2
CAD FILE 55011304000220	