

THIS DRAWING IS UNPUBLISHED.

RELEASED FOR PUBLICATION

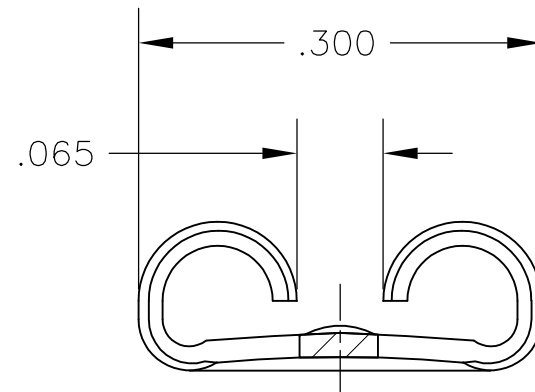
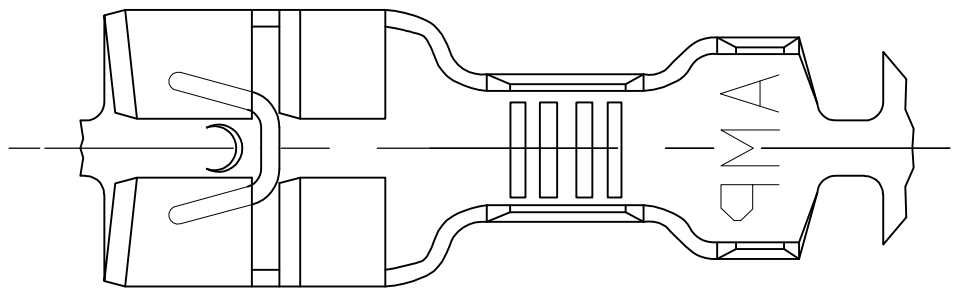
ALL RIGHTS RESERVED.

© COPYRIGHT - By -

LOC AF DIST 50

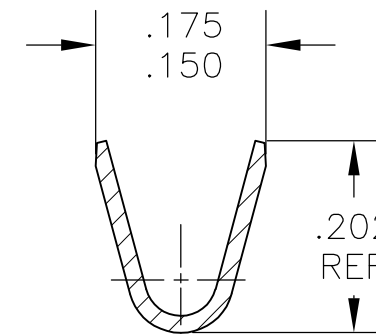
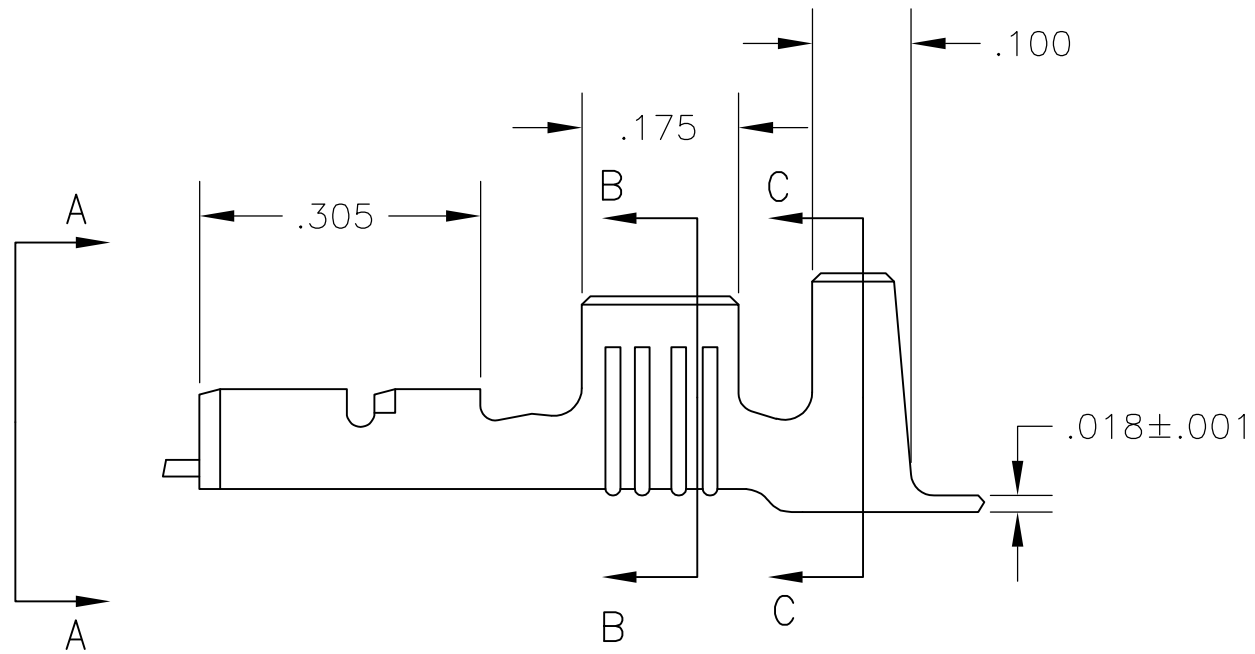
REVISIONS

| P | LTR | DESCRIPTION | DATE | DWN | APVD |
|----|-----|---------------------------|---------|-----|------|
| E1 | | REVISED PER ECO-13-012211 | 30JUL13 | JR | PD |

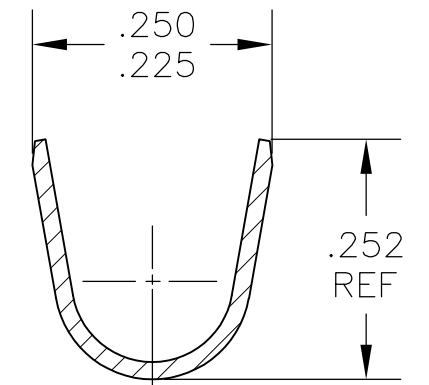


VIEW A-A

- 1 CONTINUOUS STRIP ON REELS.
- 2 MATING TAB THK IS $.032 \pm .001$
- 3 WIRE SIZE IS #14-#10 AWG
- 4 INSULATION RANGE IS .150-.200 DIA
- 5 REELED WITH INTERLEAVING PAPER
- 6 PRELIMINARY - NOT FOR PRODUCTION




SECTION B-B



SECTION C-C

| | | |
|---|---|----------|
| 5 | 6 | 63435-3 |
| | | 63435-1 |
| | | PART NO. |

| | | | | | | | |
|--|--|-----------------------|---|-----------|-----------------|--------------------|-----------------|
| THIS DRAWING IS A CONTROLLED DOCUMENT. | | DWN JR RUTH 10/10/86 |  TE Connectivity | | | | |
| DIMENSIONS: INCHES | | CHK G YETTER 10/12/86 | | | | | |
| TOLERANCES UNLESS OTHERWISE SPECIFIED: | | APVD R KUZO 10/12/86 | NAME | | | | |
| 0 PLC ± - 1 PLC ± - 2 PLC ± - 3 PLC ± .010 4 PLC ± - ANGLES ± - | | PRODUCT SPEC - | RECEPTACLE, FASTON, LOW-INSERTION, .250 SERIES | | | | |
| MATERIAL BRASS | | FINISH SILVER | APPLICATION SPEC - | SIZE A3 | CAGE CODE 00779 | DRAWING NO C-63435 | RESTRICTED TO - |
| CUSTOMER DRAWING | | | WEIGHT - | SCALE 5:1 | SHEET 1 OF 1 | REV E1 | |