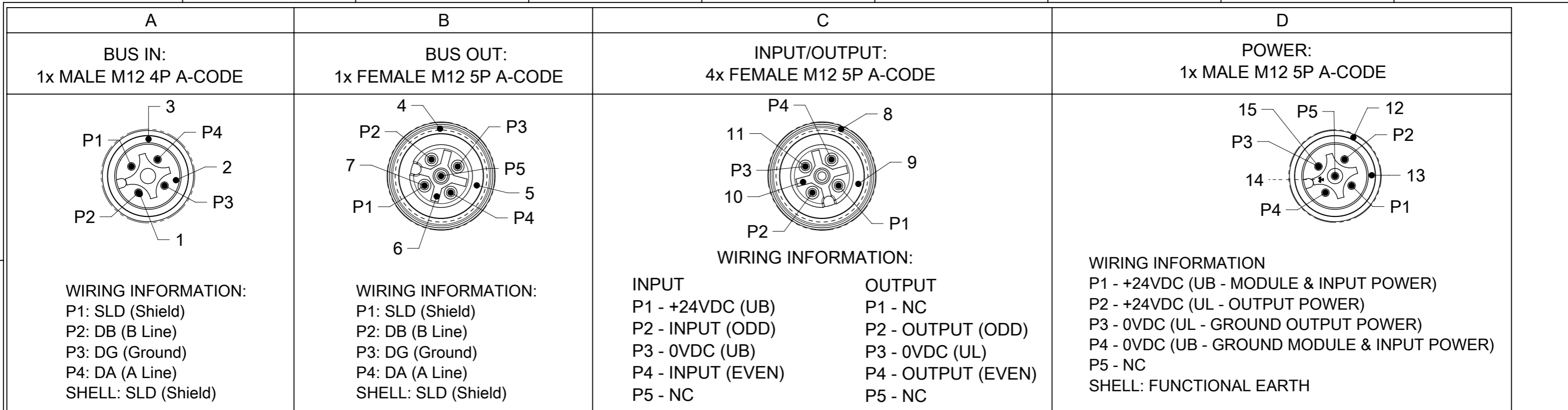


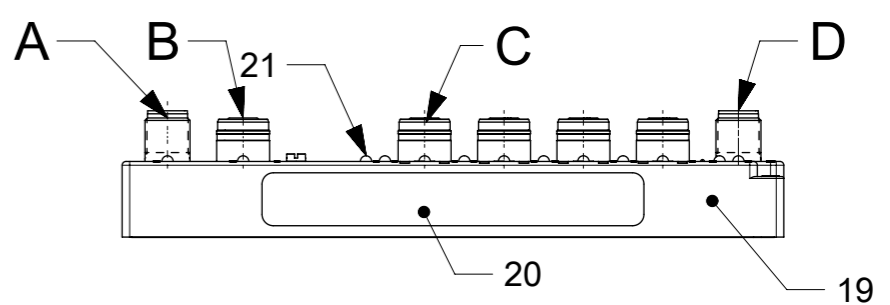
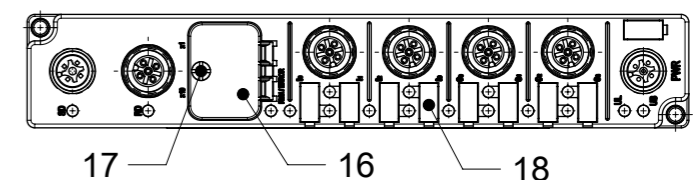
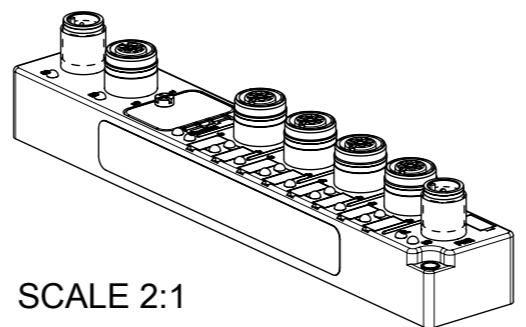
2x FIXING HOLES
SUITABLE FOR M3
SCREWS

THIS DRAWING CONTAINS INFORMATION THAT IS PROPRIETARY TO MOLEX ELECTRONIC TECHNOLOGIES, LLC AND SHOULD NOT BE USED WITHOUT WRITTEN PERMISSION										
QUALITY SYMBOLS ▽A = 0 ▽E = 0 ▽F = 0 ▼ = 0 ▽C = 0 ⊠ = 0 ■ = 0 ▽ = 0	2016/12/12	GENERAL TOLERANCES (UNLESS SPECIFIED) ANGULAR TOL ± ° 4 PLACES ± 3 PLACES ± 2 PLACES ± 1 PLACE ± 0.3 0 PLACES ± 0.5 DRAFT WHERE APPLICABLE MUST REMAIN WITHIN DIMENSIONS	DIMENSION UNITS	SCALE						
	2017/01/11		MM	1:1						
	EC NO: 112126 DRWN: ULETTENMEIER CHK'D: REV APPR: RSILLER		2017/01/11	DRWN BY	DATE	DBO CC LINK 30 MM M12 5P MA AC U12 5P 5PT FE AC M12 4P MA AC				
			RSILLER	ULETTENMEIER	2016/12/12					
			RSILLER	DATE						
A		APPR BY	DATE	PRODUCT CUSTOMER DRAWING						
A		RSILLER	2017/01/11	SERIES	MATERIAL NUMBER	CUSTOMER				
A		DRAWING SIZE		THIRD ANGLE PROJECTION	112101	SEE TABLE 1	GENERAL MARKET			
A		A3			DOCUMENT NUMBER	DOC TYPE	DOC PART	SHEET NUMBER		
A		A3			1121015006	PSD	000	1 OF 5		



BILL OF MATERIAL

ITEM	DESCRIPTION	MATERIAL	FINISH
1	CONTACT	COPPER ALLOY	GOLD OVER NICKEL
2	INSERT	TPU	BLACK
3	SHELL	BRASS	NICKEL PLATET
4	SHELL	BRASS	NICKEL PLATET
5	GASKET	FPM	BLUE
6	INSERT	TPU	BLACK
7	CONTACT	COPPER ALLOY	GOLD OVER NICKEL
8	SHELL	BRASS	NICKEL PLATET
9	GASKET	FPM	BLUE
10	INSERT	PUR	BLACK
11	CONTACT	COPPER ALLOY	GOLD OVER NICKEL
12	SHELL	BRASS	NICKEL PLATET
13	GASKET	FPM	BLUE
14	INSERT	PUR	BLACK
15	CONTACT	BRASS	NICKEL PLATET
16	WINDOW	PC	TRANSPARENT
17	SCREW	V2A	V2A
18	LABEL	PC	WHITE
19	HOUSING	PBT	BLACK
20	LABEL	PVC	YELLOW
21	LED	PA	TRANSPARENT
22	LABEL	PVC	WHITE
23	SLEEVE	BRASS	NICKEL
24	RESIN	EPOXY	TRANSPARENT



QUALITY SYMBOLS A = 0 E = 0 F = 0 G = 0 H = 0 I = 0 J = 0 K = 0 L = 0 M = 0 N = 0	THIS DRAWING CONTAINS INFORMATION THAT IS PROPRIETARY TO MOLEX ELECTRONIC TECHNOLOGIES, LLC AND SHOULD NOT BE USED WITHOUT WRITTEN PERMISSION EC NO: 112126 DRWN: ULETTENMEIER CHK'D: RSILLER APPR: RSILLER DATE: 2016/12/12 DATE: 2017/01/11	GENERAL TOLERANCES (UNLESS SPECIFIED) ANGULAR TOL ± ° 4 PLACES ± 3 PLACES ± 2 PLACES ± 1 PLACE ± 0.3 0 PLACES ± 0.5 DRAFT WHERE APPLICABLE MUST REMAIN WITHIN DIMENSIONS	DIMENSION UNITS: MM SCALE: 1:1 DRWN BY: ULETTENMEIER DATE: 2016/12/12 CHK'D BY: RSILLER DATE: 2017/01/11 APPR BY: RSILLER DATE: 2017/01/11 DRAWING SIZE: A3 THIRD ANGLE PROJECTION	 DBO CC LINK 30 MM M12 5P MA AC U12 5P 5PT FE AC M12 4P MA AC PRODUCT CUSTOMER DRAWING SERIES: 112101 MATERIAL NUMBER: SEE TABLE 1 CUSTOMER: GENERAL MARKET DOCUMENT NUMBER: 1121015006 DOC TYPE: PSD DOC PART: 000 SHEET NUMBER: 2 OF 5
---	---	---	---	---

9 8 7 6 5 4 3 2 1

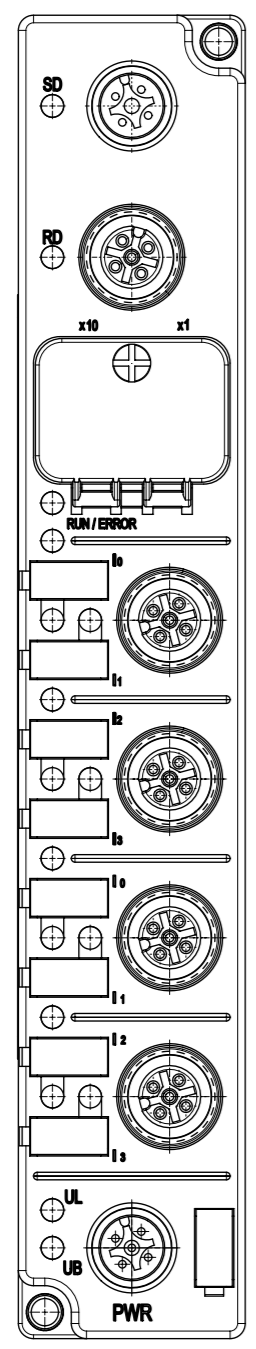
E

D

C


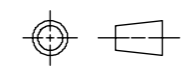
B

A



8 IN PRINTING

TABLE 1 8IN PRINTING					
		CC LINK			
POWER TYPE	INPUT / OUTPUT		ENG.NO.	MOLEX P/N	3D MODEL NO.
M12 MALE 5P	PNP	8I	TBDCC-480P-88U	1121015006	1121015006 (PDM)
	NPN	8I	TBDCC-480N-88U	1121015008	

THIS DRAWING CONTAINS INFORMATION THAT IS PROPRIETARY TO MOLEX ELECTRONIC TECHNOLOGIES, LLC AND SHOULD NOT BE USED WITHOUT WRITTEN PERMISSION												
QUALITY SYMBOLS ▽A = 0 ▽E = 0 ▽F = 0 ▼ = 0 ▽C = 0 ⊗ = 0 ■ = 0 ▽ = 0	EC NO: 112126 DRWN: ULETTENMEIER CHK'D: APPR: RSILLER	2016/12/12 2017/01/11	GENERAL TOLERANCES (UNLESS SPECIFIED)		DIMENSION UNITS	SCALE	 DBO CC LINK 30 MM M12 5P MA AC U12 5P 5PT FE AC M12 4P MA AC					
			ANGULAR TOL ± °		MM	1:1						
			4 PLACES ±	DRWN BY		DATE		PRODUCT CUSTOMER DRAWING				
			3 PLACES ±	ULETTENMEIER		2016/12/12						
			2 PLACES ±	CHK'D BY		DATE		SERIES MATERIAL NUMBER CUSTOMER 112101 SEE TABLE 1 GENERAL MARKET				
			1 PLACE ± 0.3	APPR BY		DATE						
			0 PLACES ± 0.5	RSILLER		2017/01/11		DOCUMENT NUMBER DOC TYPE DOC PART SHEET NUMBER 1121015006 PSD 000 3 OF 5				
			DRAFT WHERE APPLICABLE MUST REMAIN WITHIN DIMENSIONS		DRAWING SIZE	THIRD ANGLE PROJECTION						
					A3							

9 8 7 6 5 4 3 2 1

E

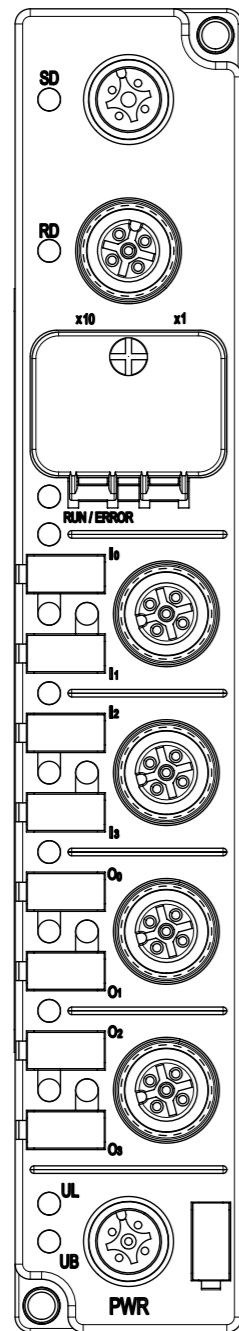
D

C

B

A

TABLE 1 4IN / 4OUT PRINTING				
CC LINK				3D MODEL NO.
POWER TYPE	INPUT / OUTPUT		ENG.NO.	
M12 MALE 5P	PNP	4I / 4O	TBDCC-444P-88U-G	1121015007
		4I (NPN) / 4O (PNP)	TBDCC-444N-88U-G	1121015009



4 IN 4 OUT PRINTING

QUALITY SYMBOLS 	THIS DRAWING CONTAINS INFORMATION THAT IS PROPRIETARY TO MOLEX ELECTRONIC TECHNOLOGIES, LLC AND SHOULD NOT BE USED WITHOUT WRITTEN PERMISSION									
	EC NO: 112126 DRWN: ULETTENMEIER CHK'D: APPR: RSILLER	2016/12/12 2017/01/11	GENERAL TOLERANCES (UNLESS SPECIFIED)		DIMENSION UNITS	SCALE				
			ANGULAR TOL ± °		MM					
			4 PLACES ±		DRWN BY	DATE	DBO CC LINK 30 MM M12 5P MA AC U12 5P 5PT FE AC M12 4P MA AC			
			3 PLACES ±		ULETTENMEIER	2016/12/12				
			2 PLACES ±		CHK'D BY	DATE	PRODUCT CUSTOMER DRAWING			
	1 PLACE ± 0.3		APPR BY	DATE						
	0 PLACES ± 0.5		RSILLER	2017/01/11	DRAWING SIZE	THIRD ANGLE PROJECTION	SERIES	MATERIAL NUMBER	CUSTOMER	
	DRAFT WHERE APPLICABLE MUST REMAIN WITHIN DIMENSIONS		A3		112101		GENERAL MARKET			
					DOCUMENT NUMBER		DOC TYPE	DOC PART	SHEET NUMBER	
				1121015006		PSD	000	4 OF 5		

E

D

C

B

A