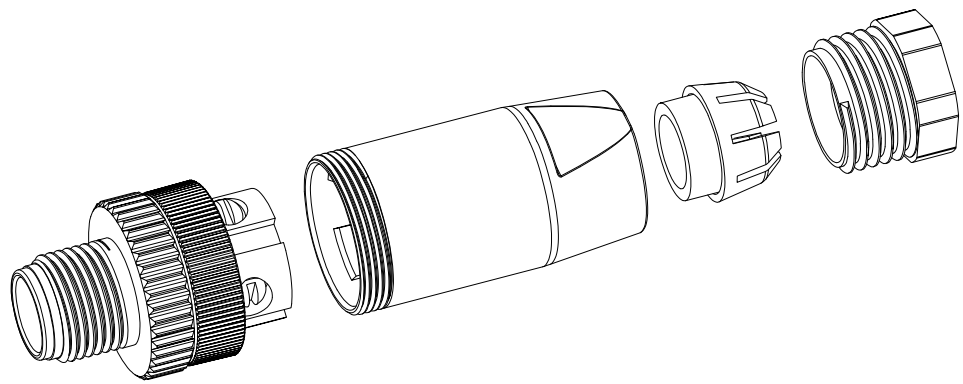
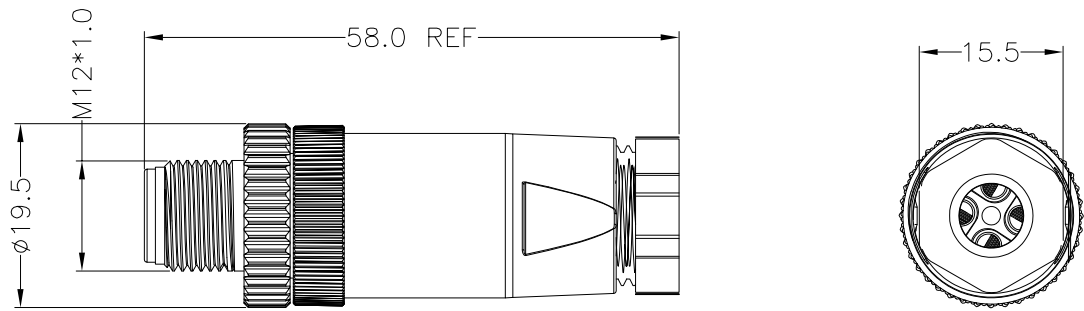


DESCRIPTION: M12 // FIELD INSTALLABLE // MALE // UNSHIELDED // 6-8mm CABLE OD



MALE

A04	A05	A08	D04	B05

NOTE:

<b>MATERIAL</b>	
M12 INSULATOR	PA66, UL94V-0, BLACK
CABLE NUT/GROMMET/SHELL	PA66, UL94V-0, BLACK
CONTACT	GOLD FLASH PLATED BRASS
MATING NUT	NICKEL PLATED BRASS
<b>ELECTRICAL</b>	
RATED CURRENT	2A(8P) / 4A(4/5P)
VOLTAGE	30V(8P) / 60V(5P) / 250V(4P)
INSULATOR RESISTANCE	100 MOhms MIN.
CONTACT RESISTANCE	10 mOhms MAX.
MATING CYCLES	100 CYCLES MIN
<b>ENVIRONMENT</b>	
OPERATION TEMPERATURE	-40°C TO +85°C
IP RATING	IP66
<b>RECOMMENDED TORQUE</b>	0.4Nm TO 0.8Nm

SERIES 858F = M12 FIELD INSTALLABLE

CONTACT ARRANGEMENT YYY

A04 = 4P A-CODE  
 A05 = 5P A-CODE  
 A08 = 8P A-CODE  
 D04 = 4P D-CODE  
 B05 = 5P B-CODE

GENDER 1 = MALE

CABLE OD B = 6mm-8mm OD

CONTACT PLATING 1 = GOLD FLASH

**858FYYY-103RBU1**

RoHS COMPLIANT



THESE DRAWINGS AND SPECIFICATIONS ARE THE PROPERTY OF NorComp AND SHALL NOT BE REPRODUCED, COPIED OR USED AS THE BASIS FOR THE MANUFACTURE OR SALE OF APPARATUS WITHOUT WRITTEN PERMISSION.

DRAWN: J. KADEL  
 DATE: 02/04/2022

UNITS = mm

DO NOT SCALE FROM DRAWING

NorComp

SCALE: NTS	SHEET 1 OF 1	REV 2
DWG NO. 858FYYY-103RBU1		