

10G Base-T, Single, LAN Transformer, w/ PoE, 3 Wires

ALAN-2401

RoHS/RoHS II Compliant



17.50 x 15.60 x 5.40mm

FEATURES:

- Meet IEEE802.3 specification
- Power Over Ethernet(PoE)IEEE802.3at compliant performance
- Extended Temperature (-40°C - +85°C)
- ROHS peak reflow temperature rating 245°C
- 1500Vrms Hi-Pot

APPLICATIONS:

- Designed for most leading PHY IC manufacturers such as Broadcom, Marvell, Micrel, & Microsemi
- 10G Ethernet-LAN
- PoE Capabilities
- Provides signal conditioning, EMI suppression and signal isolation.
- Hubs/Switches/Routers/Servers/NIC Cards

STANDARD SPECIFICATIONS:

Key Electrical Specifications @ 25°C

Parameters	Minimum	Typical	Maximum	Units	Notes
Operating Temperature	0		+70	°C	
Storage Temperature	-40		+85	°C	
Turn Ratio (± 3%)		1CT:1CT			
Inductance (OCL)	120			μH	100KHz/0.1V@8mA
Leakage Inductance (LL)			0.5	μH	100KHz/0.1V
Cw/w			30	pF	100KHz/0.1V
DC Resistance			1.2	Ω	
Insertion Loss			-1.2	dB	1- 400MHz
Return Loss	-18			dB	1- 40MHz
	-17+10log(F/40MHz)				40-500MHz
Cross Talk		-40		dB	1-100MHz
		-30			100-500MHz
CM-DM Rejection Ratio		-30			1-250MHz
		-22			250-500MHz
Differential to Common Mode Rejection	-30			dB	1-100MHz
Common Mode Rejection	-30			dB	1-100MHz
PoE Current Capacity			350	mA	
Hi-Pot	1500Vrms/0.5mA/60Sec or 1650Vrms/0.5mA/2Sec				

10G Base-T, Single, LAN Transformer, w/ PoE, 3 Wires

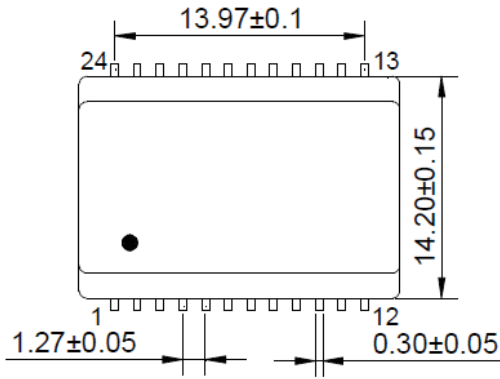
ALAN-2401

RoHS/RoHS II Compliant

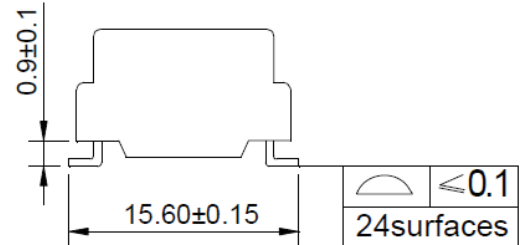
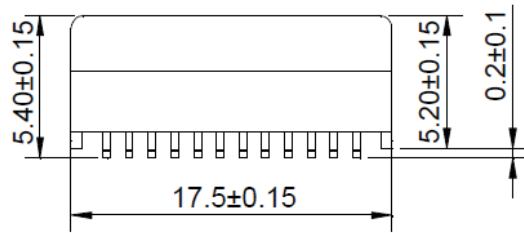
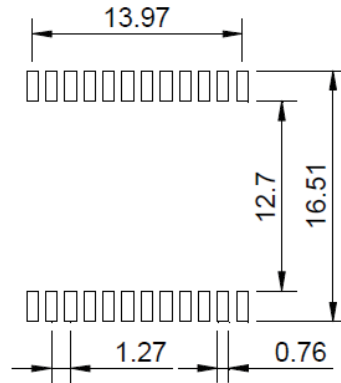


17.50 x 15.60 x 5.40mm

OUTLINE DIMENSIONS:

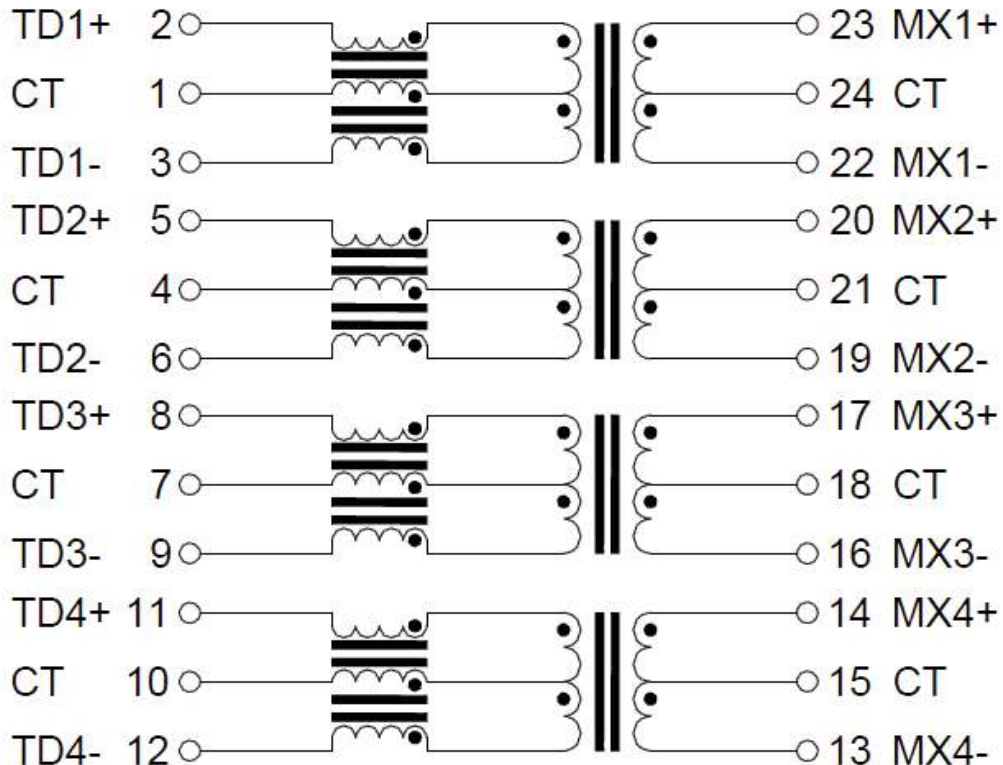


Recommended Land Pattern



Dimensions: mm (Unless otherwise specified, tolerances are ± 0.25)

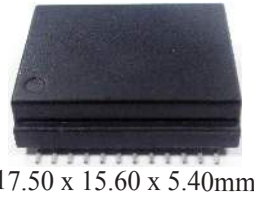
SCHEMATICS



10G Base-T, Single, LAN Transformer, w/ PoE, 3 Wires

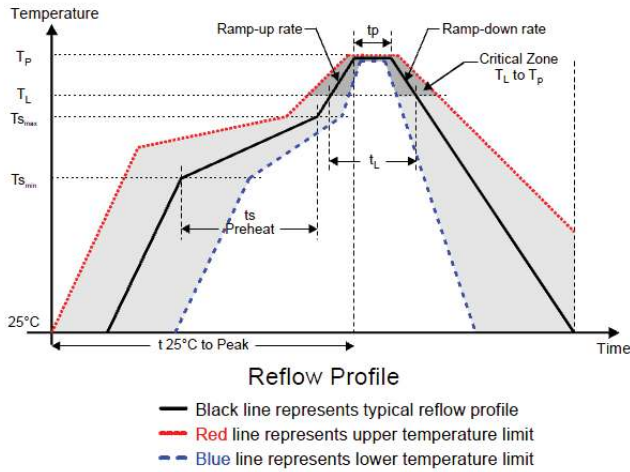
ALAN-2401

RoHS/RoHS II Compliant



17.50 x 15.60 x 5.40mm

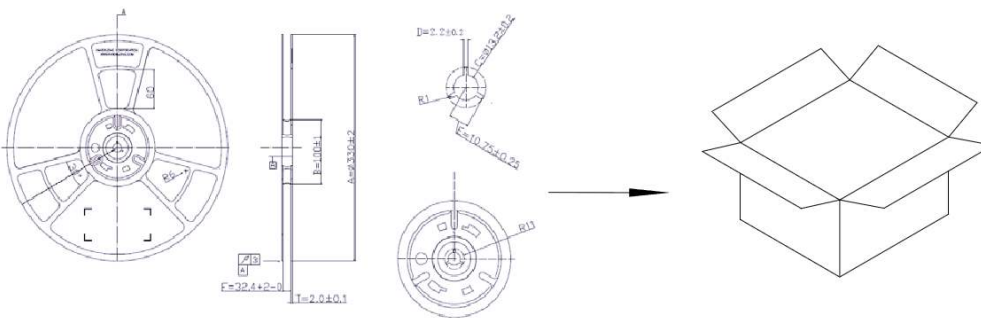
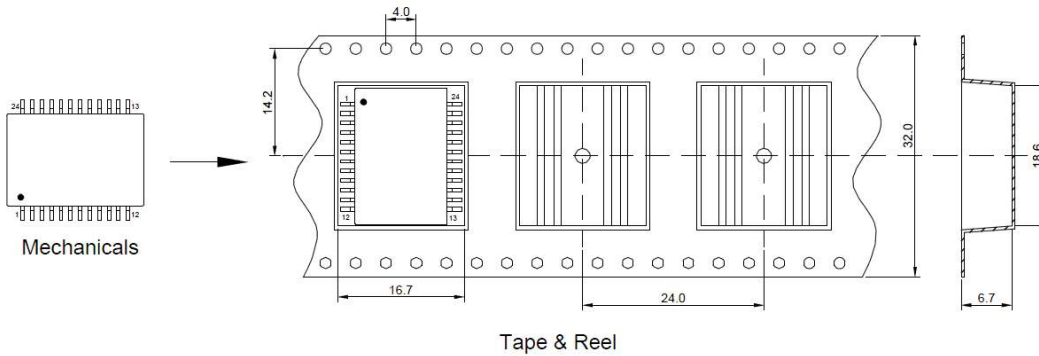
REFLOW PROFILE:



Profile Feature	Pb-Free Assembly
Average Ramp-Up Rate (Ts _{max} to Tp)	3°C /second max.
Preheat	
-Temperature Min (Ts _{min})	150°C
-Temperature Max (Ts _{max})	200°C
-Time (ts _{min} to ts _{max})	60-120 seconds
Time maintained above:	
-Temperature (TL)	217°C
-Time (tL)	60-150 seconds
Peak/Classification Temperature (Tp)	245+0/-5°C
Time within 5°C of actual Peak Temperature (tp)	20-40 seconds
Ramp-Down Rate	6°C /seconds max
Time 25°C to Peak Temperature	8 minutes max.

TAPE & REEL:

Packing : 400 pcs / reel
Weight 2.1 grams / pcs



Dimensions: mm

ATTENTION: Abracon Corporation's products are COTS – Commercial-Off-The-Shelf products; suitable for Commercial, Industrial and, where designated, Automotive Applications. Abracon's products are not specifically designed for Military, Aviation, Aerospace, Life-dependant Medical applications or any application requiring high reliability where component failure could result in loss of life and/or property. For applications requiring high reliability and/or presenting an extreme operating environment, written consent and authorization from Abracon Corporation is required. Please contact Abracon Corporation for more information.

ABRACON IS
ISO 9001:2008
CERTIFIED



2 Faraday, Suite# B | Irvine | CA 92618 **Revised: 03.24.15**
 Ph. 949.546.8000 | Fax. 949.546.8001
 Visit www.abracon.com for Terms and Conditions of Sale