

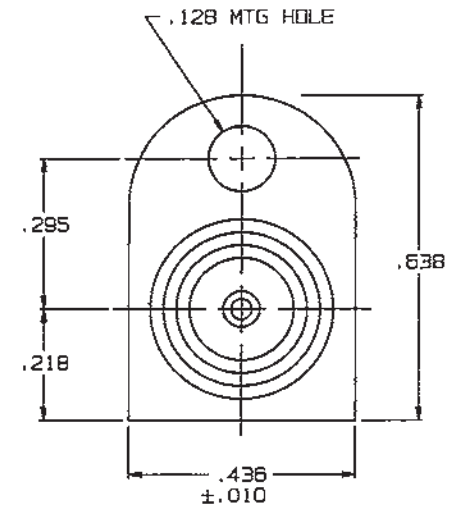
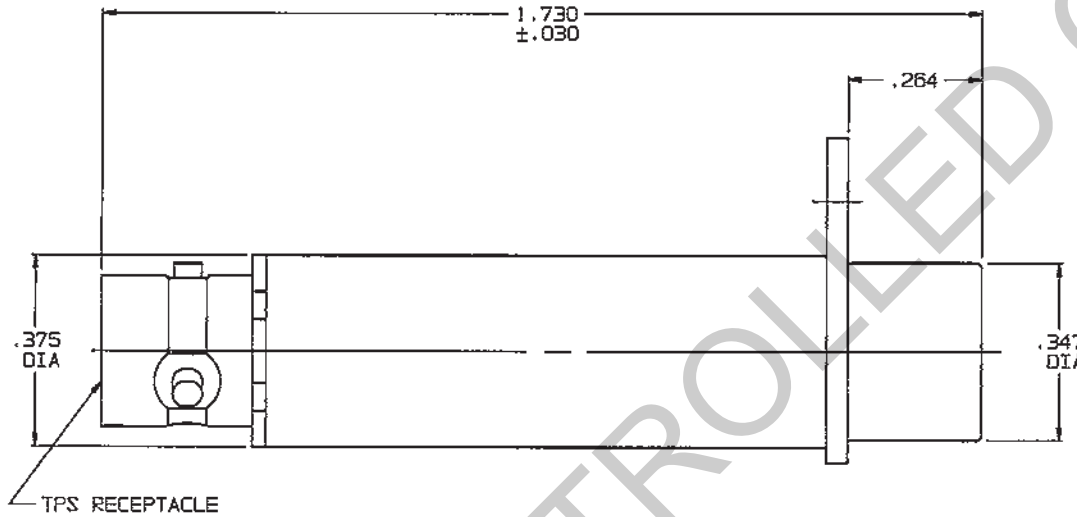
RED INDICATES ORIGINAL

INCH	MM
.005	0.13
.010	0.25
.030	0.76
.128	3.25
.218	5.54
.264	6.71
.295	7.49
.296	7.52
.347	8.81
.375	9.53
.436	11.07
.638	16.21
1.730	43.94

DWG SIZE
B

DATA CONTAINED IN THIS DOCUMENT IS PROPRIETARY TO TROMPETER ELECTRONICS INC. AND SHALL NOT BE DISCLOSED, COPIED OR USED FOR PROCUREMENT OR MANUFACTURE WITHOUT EXPRESS WRITTEN PERMISSION.

REVISIONS			1-0329		SH 1
REV	ED	DESCRIPTION	DWN	APPROVED	DATE
H	10558	SH 2 ITEM WAS 8-1680-1;	DKC	BVM; FCR	4/23/94



4. 75 OHM COAXIAL TYPE MINIATURE (.296 SIZE) PATCH JACK TO TPS RECEPTACLE
3. INTERFACE: TFS-7
2. FINISH: TFS-1A (NICKEL)
1. ALL DIM ARE IN INCHES

QTY	DESCRIPTION	PART NUMBER	ITEM
TOL UNLESS SPECIFIED .XX ± .XXX ± .005 .XXXX ± ANGLES ±	TROMPETER RF connectivity <small>a microconnectivity solutions brand</small>	J11	
DWN DKC 3-10-94	MATERIAL	CODE IDENT	DRAWING NO.
CHK BVM 4/20/94	—	14949	1-0329
ENGR	APPR FCR 4/20/94	SCALE 4/1	DATE 10/5/67
NEXT ASSY			SHEET 1 OF 2