

6

5

4

3

2

1

E

E

D

D

C

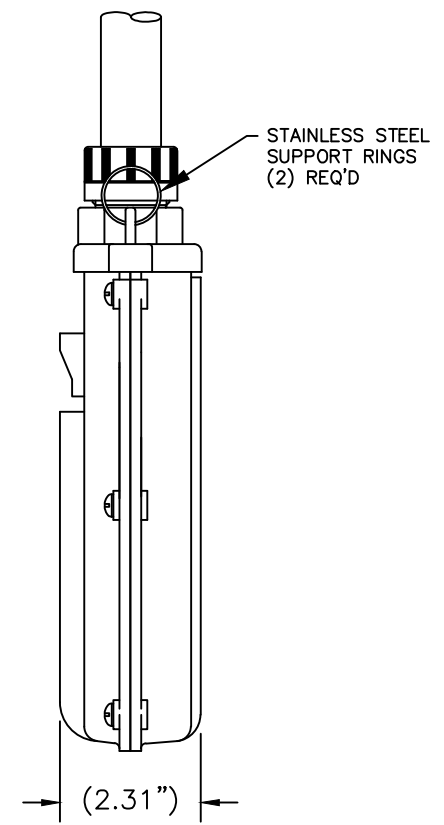
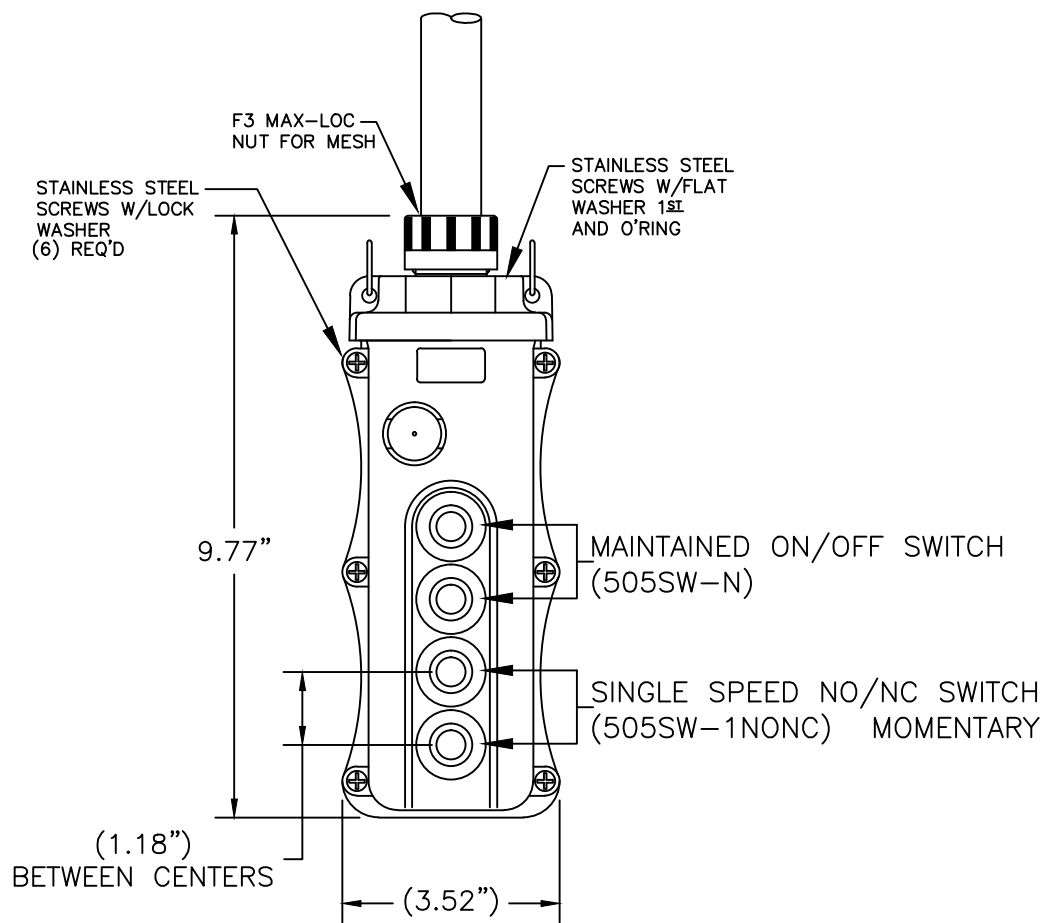
C

B

B

A

A



NOTES:
 1. INSTALLATION INSTRUCTIONS, BUTTON ID. LABELS. ARE PACK WITH THE PART.
 2. ALL BUTTONS ARE HIGH AMBIENT, CHEMICALLY RESISTANT MATERIAL - COLOR BLACK

RELEASE DRAWING EC NO: IPC2012-0861 DRWN: HKNEELAN 2012/08/13 CHKD: HKNEELAN APPR: DTITUS 2012/09/05	DESCRIPTION REV	QUALITY SYMBOLS	GENERAL TOLERANCES (UNLESS SPECIFIED)		DIMENSION STYLE INCH		SCALE NTS	DESIGN UNITS INCH	THIRD ANGLE PROJECTION																																		
		$\nabla = 0$ $\nabla C = 0$	<table border="1"> <tr><th></th><th>mm</th><th>INCH</th></tr> <tr><td>4 PLACES</td><td>±---</td><td>±---</td></tr> <tr><td>3 PLACES</td><td>±---</td><td>±---</td></tr> <tr><td>2 PLACES</td><td>±0.05</td><td>±---</td></tr> <tr><td>1 PLACE</td><td>±0.10</td><td>±---</td></tr> </table>		mm	INCH	4 PLACES	±---	±---	3 PLACES	±---	±---	2 PLACES	±0.05	±---	1 PLACE	±0.10	±---	<table border="1"> <tr><th colspan="2">DRAWN BY</th><th>DATE</th></tr> <tr><td>HKNEELAN</td><td></td><td>2012/08/13</td></tr> <tr><th colspan="2">CHECKED BY</th><th>DATE</th></tr> <tr><td>HKNEELAN</td><td></td><td>2012/08/13</td></tr> <tr><th colspan="2">APPROVED BY</th><th>DATE</th></tr> <tr><td>DTITUS</td><td></td><td>2012/09/05</td></tr> </table>	DRAWN BY		DATE	HKNEELAN		2012/08/13	CHECKED BY		DATE	HKNEELAN		2012/08/13	APPROVED BY		DATE	DTITUS		2012/09/05	TITLE		MATERIAL NO.		DOCUMENT NO.	SHEET NO.
			mm	INCH																																							
		4 PLACES	±---	±---																																							
3 PLACES	±---	±---																																									
2 PLACES	±0.05	±---																																									
1 PLACE	±0.10	±---																																									
DRAWN BY		DATE																																									
HKNEELAN		2012/08/13																																									
CHECKED BY		DATE																																									
HKNEELAN		2012/08/13																																									
APPROVED BY		DATE																																									
DTITUS		2012/09/05																																									
DRAFT WHERE APPLICABLE MUST REMAIN WITHIN DIMENSIONS			ANGULAR ±.5°		1301260335		SD-130126-053	1 OF 1																																			

6

5

4

3

2

1