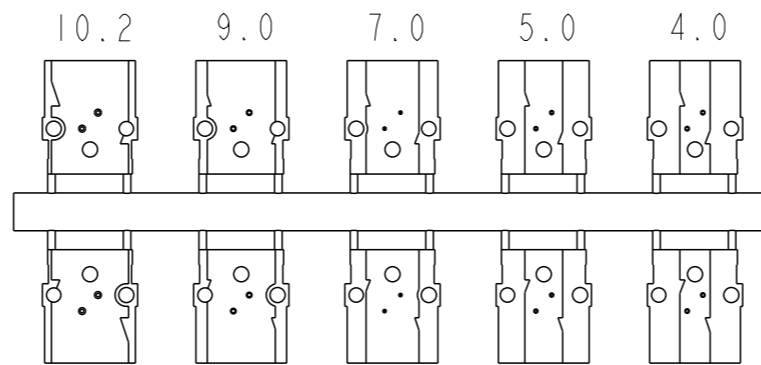
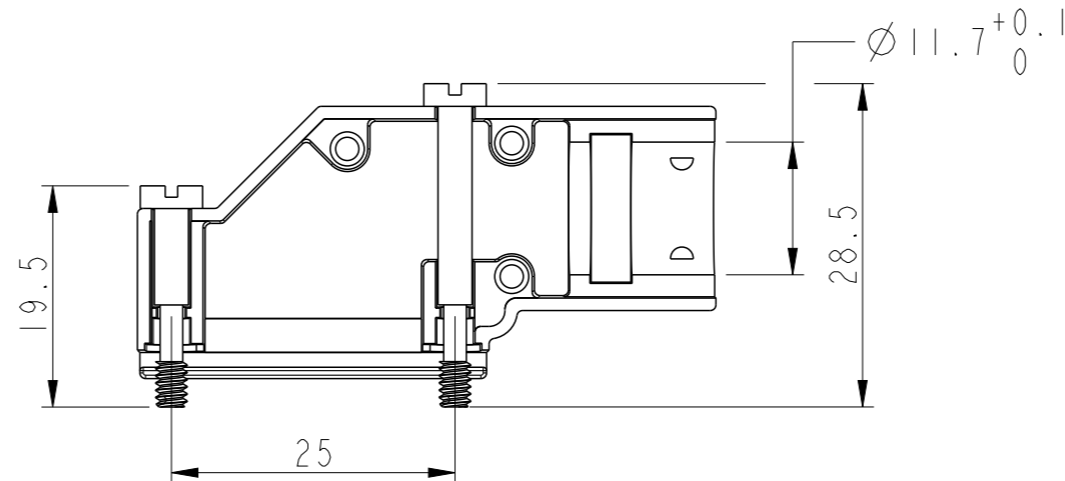
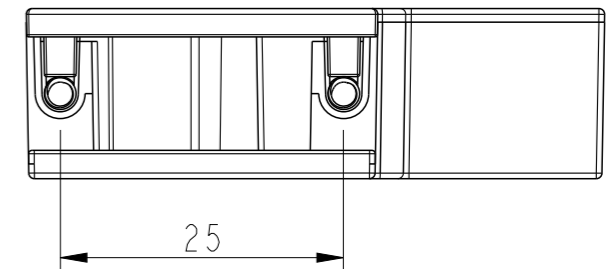
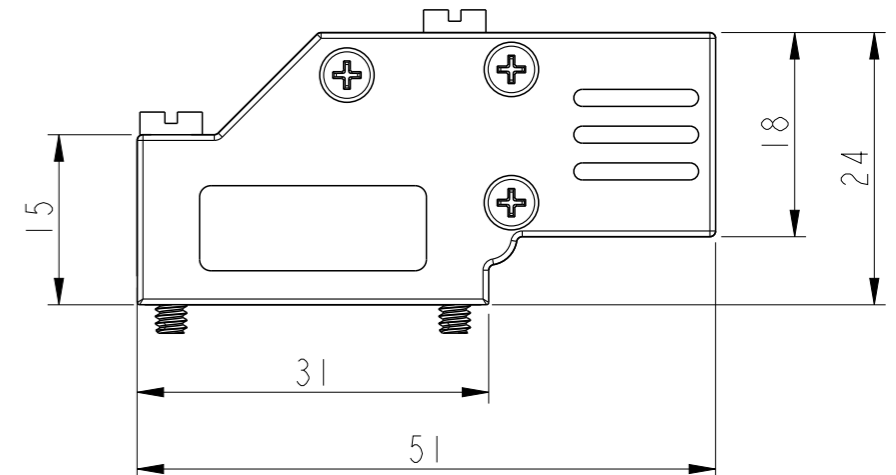
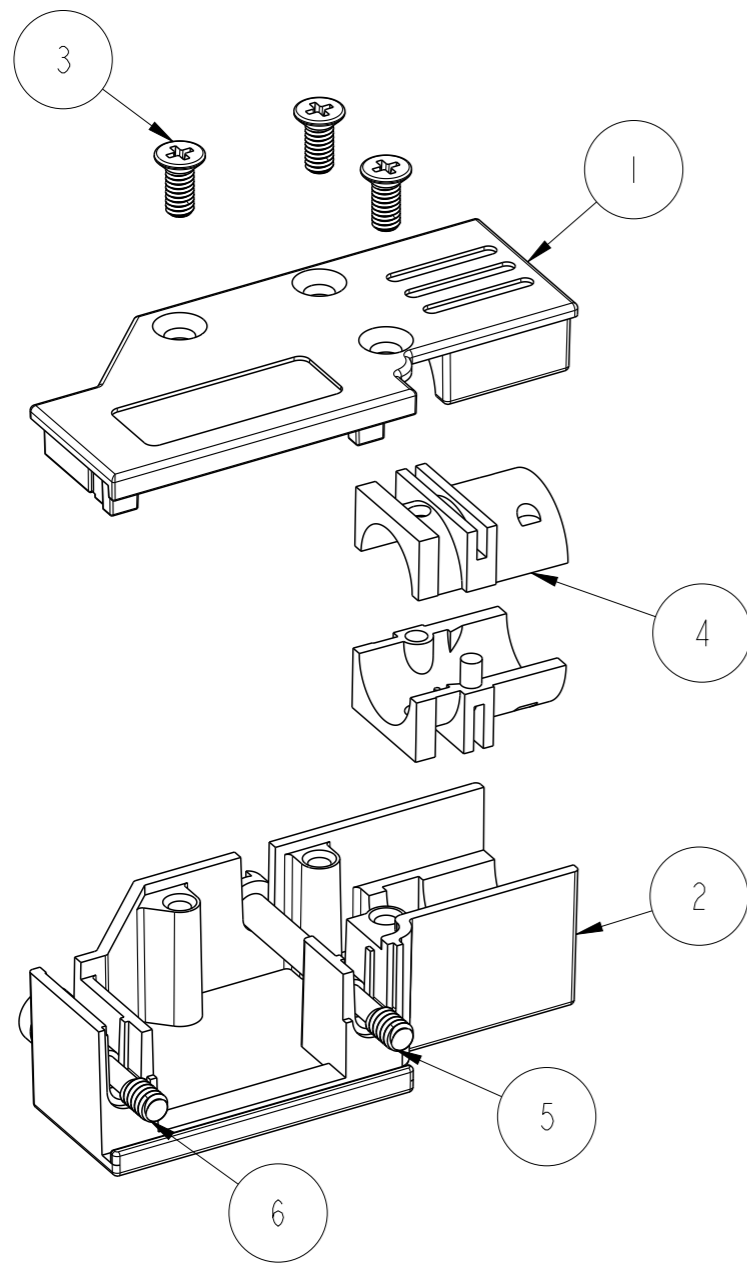


PART NUMBER	PACK	HOOD SIZE
8655GMES3C11KLF	KIT	09



GROMMET SET

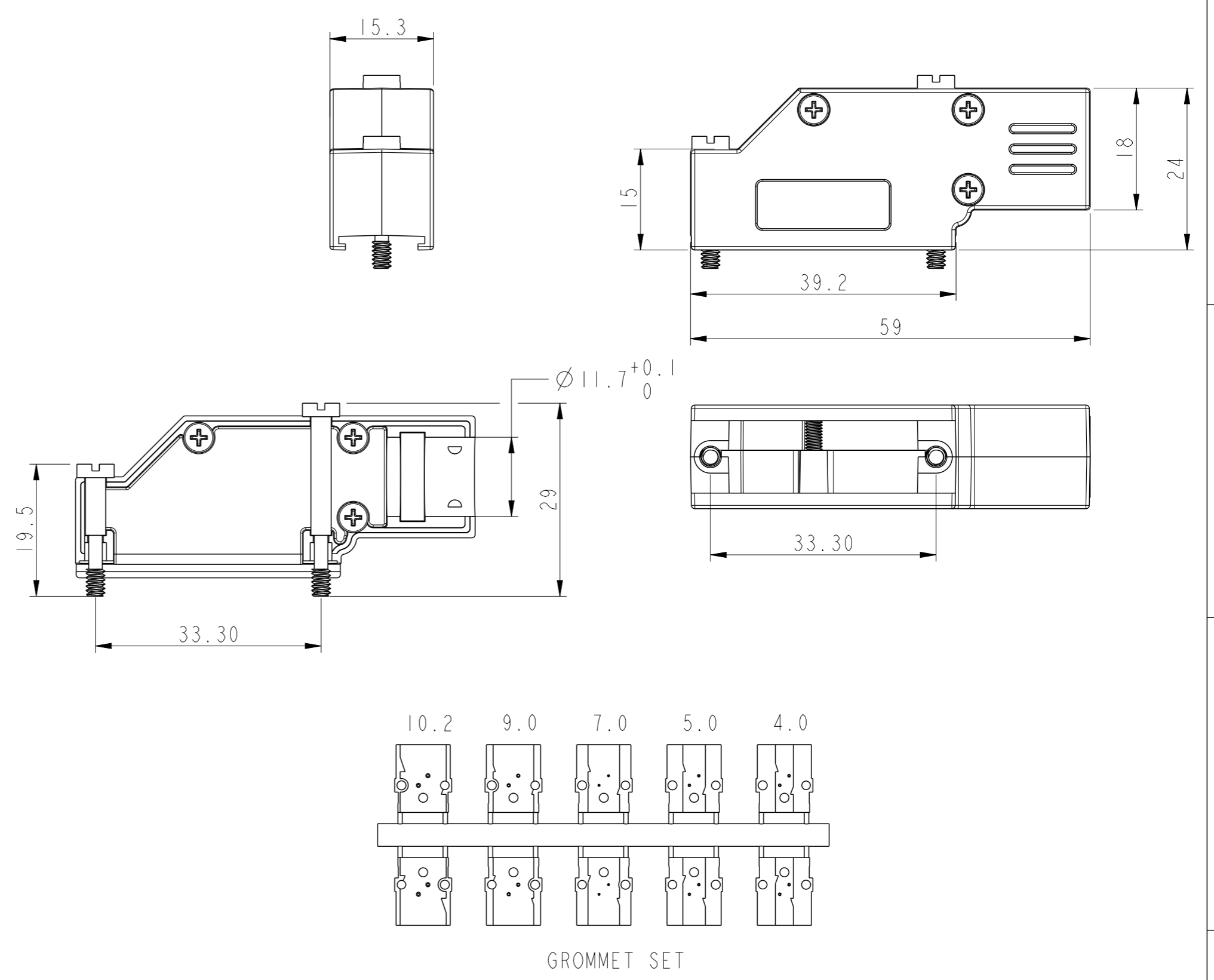
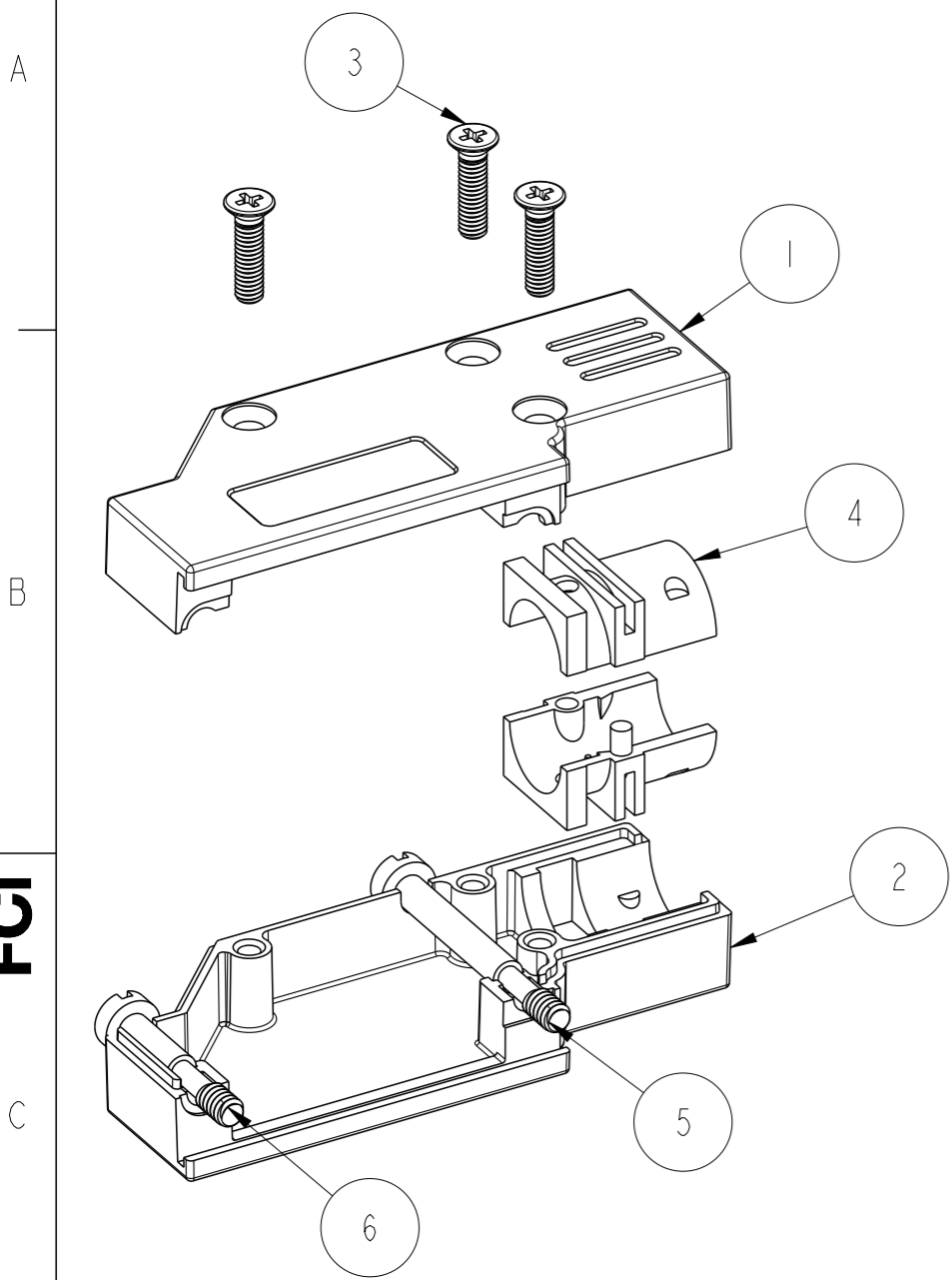
NOTES: (FOR EVERY SIZES)
 1- OPERATING TEMPERATURE: -40°C TO +120°C
 2- INDIVIDUAL KITS SEALED IN PLASTIC COVER IN UNASSEMBLED FORM.
 BOM AS SHOWN IN TABLE

RoHS INFORMATION:
 - THE LF PRODUCT MEETS EUROPEAN UNION DIRECTIVES AND OTHER COUNTRY REGULATIONS AS DESCRIBED IN GS+22-009
 - THE PRODUCT IS NOT INTENDED TO BE EXPOSED TO A MANUFACTURING SOLDER PROCESS

ITEM NO.	QTY.	PART DESCRIPTION
1	1	DCMR09-UPPER COVER
2	1	DCMR09-LOWER COVER
3	3	M2.5X6 SCREW
4	1	D45ZK-D2 GROMMET SET
5	1	UNC4-40x28.5 JACKSCREW
6	1	UNC4-40x19.5 JACKSCREW

spec ref	-	dr	Dipu Joseph	2020/09/15	projection	mm	size	A3	scale	3:2
tolerance std	ISO 406 ISO 1101	eng	Detouillon, Da	2020/11/17			ecn no	-	rel level	Released
TOLERANCES UNLESS OTHERWISE SPECIFIED		chr	-	2020/11/13						
surface	linear	0.X	±0.3	Amphenol FCI	title		DSUB METAL HOOD RA EXIT		dwg no 8655GMxxC11KLF	rev A
		0.XX	±0.10		-		-			
	angular	0°	±2°		cat. no.		-			
Product - Customer Drw						sheet 1 of 4				

PART NUMBER	PACK	HOOD SIZE
8655GMAS3C11KLF	KIT	15

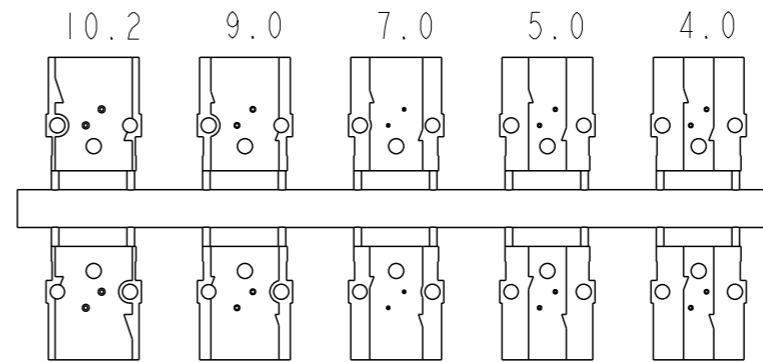
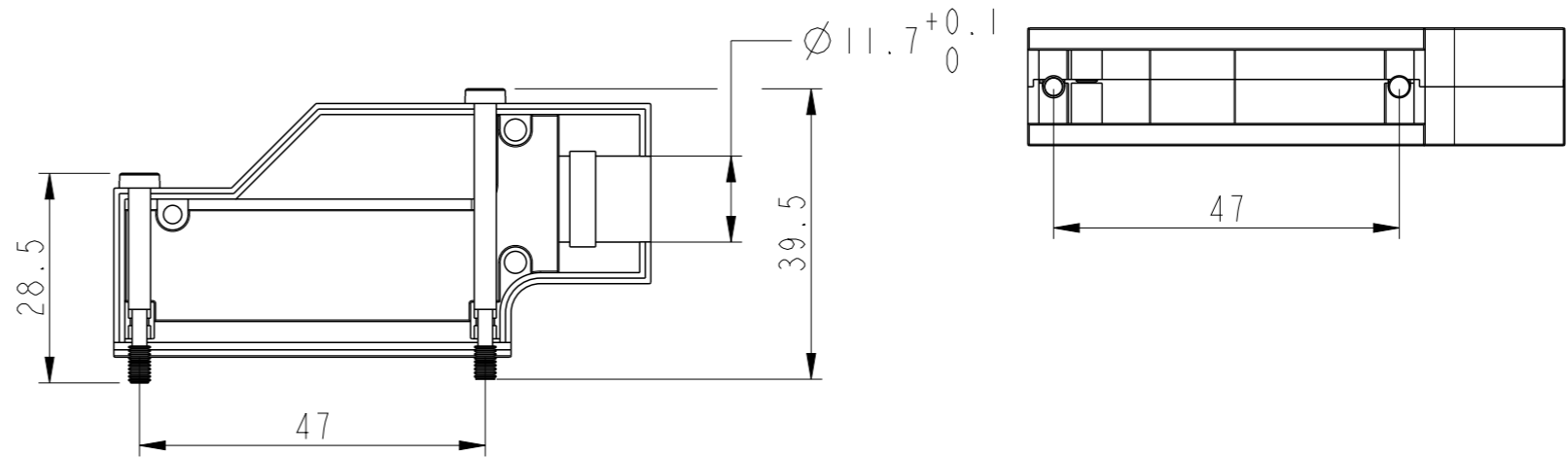
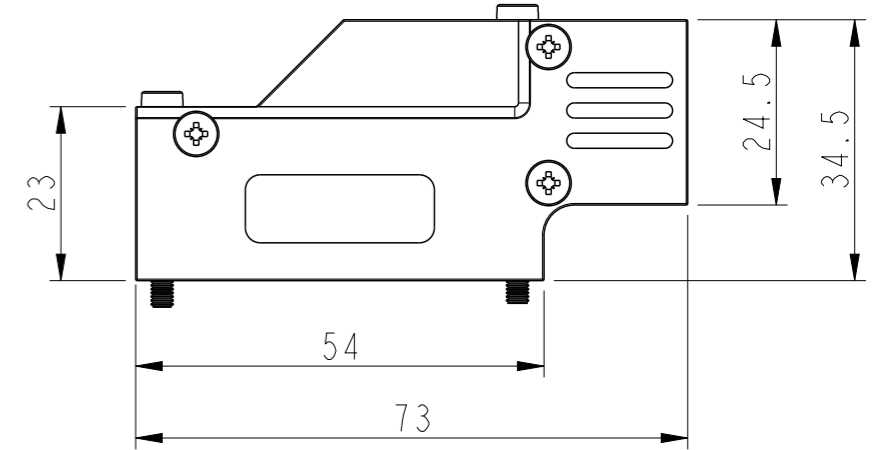
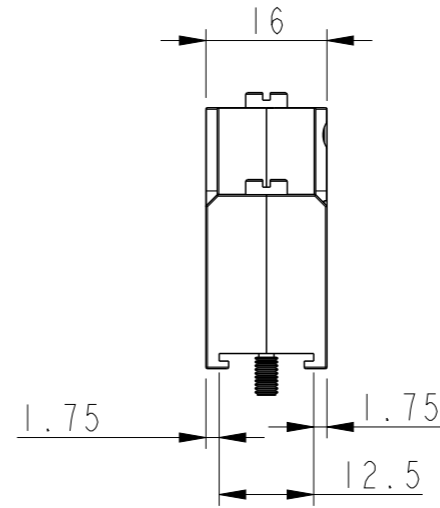
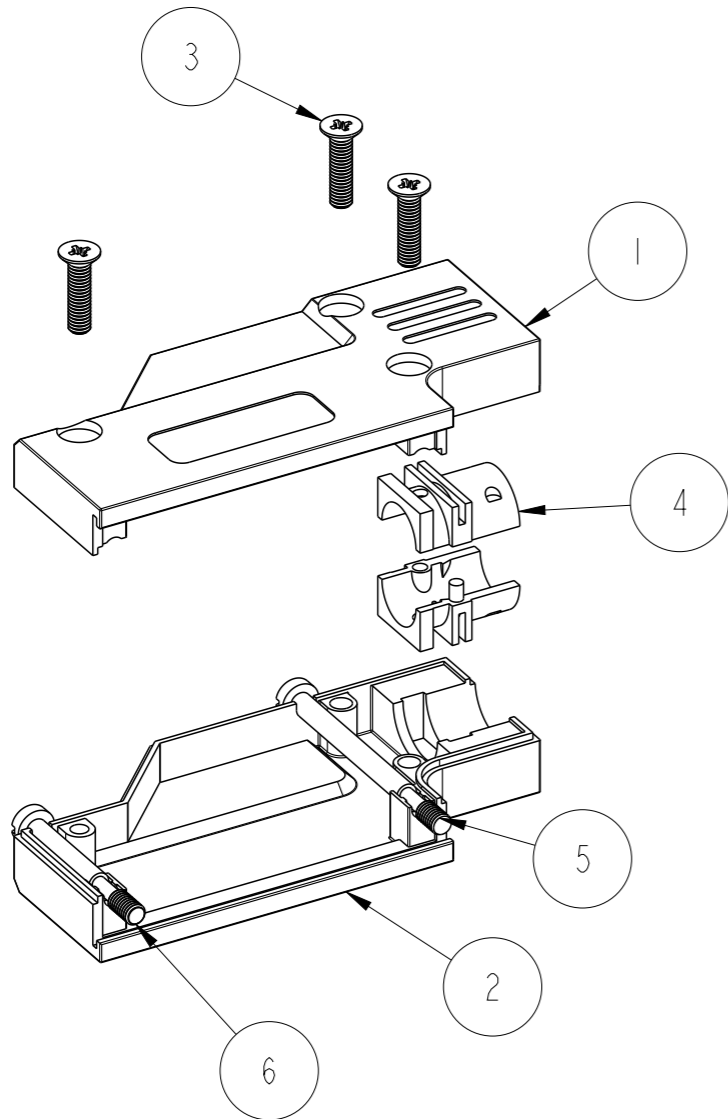


ITEM NO.	QTY.	PART DESCRIPTION
1	1	DCMR15-UPPER COVER
2	1	DCMR15-LOWER COVER
3	3	M2.5X9 SCREW
4	1	D45ZK-D2 GROMMET SET
5	1	UNC4-40x28.5 JACKSCREW
6	1	UNC4-40x19.5 JACKSCREW

spec ref	-	dr	Dipu Joseph	2020/09/15	projection	mm	size	A3	scale	3:2
tolerance std	ISO 406 ISO 1101	eng	Detouillon, Da	2020/11/17			ecn no	-	rel level	Released
TOLERANCES UNLESS OTHERWISE SPECIFIED		chr	-	2020/11/13						
surface	linear	0.X	±0.3	Amphenol FCI	title DSUB METAL HOOD RA EXIT	dwg no 8655GMxxC11KLF	rev A	cat. no. - Product - Customer Drw sheet 2 of 4		
		0.XX	±0.10							
	angular	0°	±2°							

© 2016 AFCI
 Amphenol FCI

PART NUMBER	PACK	HOOD SIZE
8655GMBS3C11KLF	KIT	25



GROMMET SET

ITEM NO.	QTY.	PART DESCRIPTION
1	1	DCMR25-UPPER COVER
2	1	DCMR25-LOWER COVER
3	3	M3X12 SCREW
4	1	D45ZK-D2 GROMMET SET
5	1	UNC4-40x39.5 JACKSCREW
6	1	UNC4-40x28.5 JACKSCREW

spec ref	-	dr	Dipu Joseph	2020/09/15	projection	mm	size	A3	scale	1:1
tolerance std	ISO 406 ISO 1101	eng	Detouillon, Da	2020/11/17			ecn no	-	rel level	Released
TOLERANCES UNLESS OTHERWISE SPECIFIED		chr	-	-						
surface	linear	appr	Wollin, Severi	2020/11/13	product family	-	cat. no.	-	Product - Customer Drw	sheet 3 of 4
	angular									
	0.X	±0.3	Amphenol FCI		title DSUB METAL HOOD RA EXIT		dwg no 8655GMxxC11KLF		rev A	
	0.XX	±0.10								
	0.XXX	±0.005								
	0°	±2°								

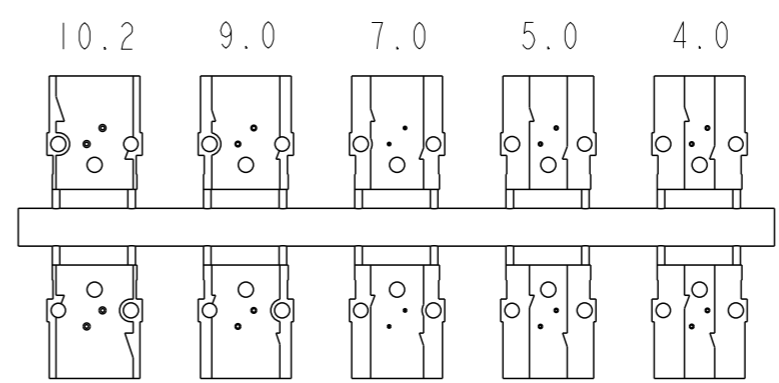
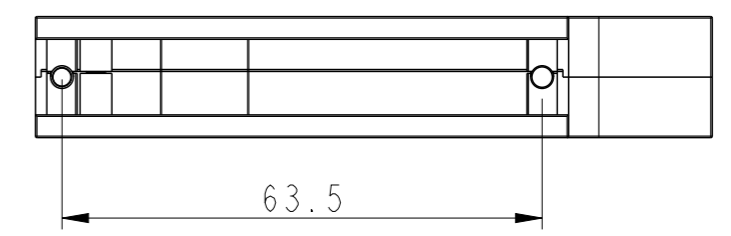
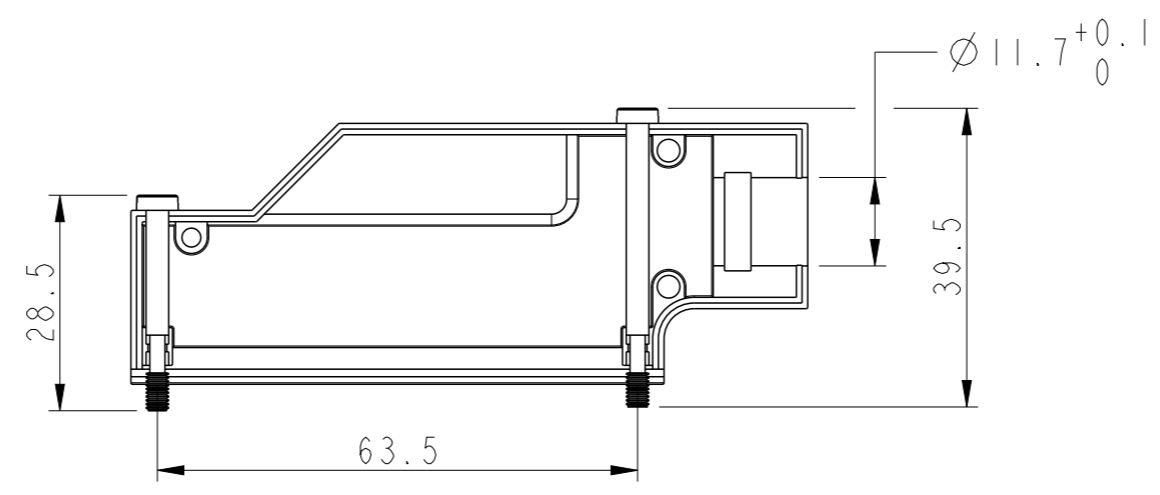
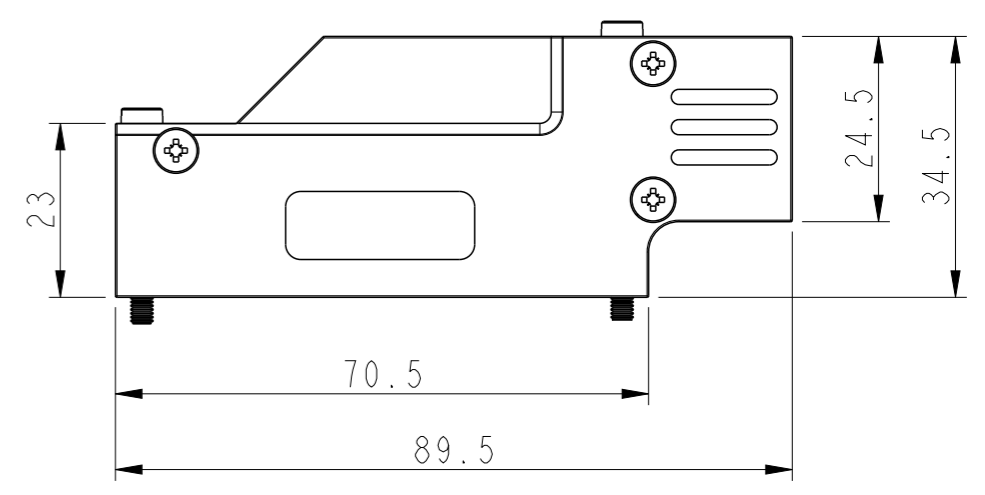
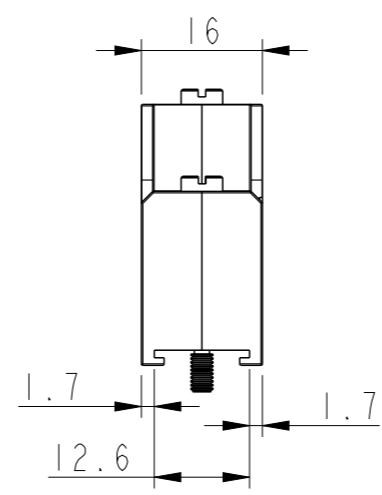
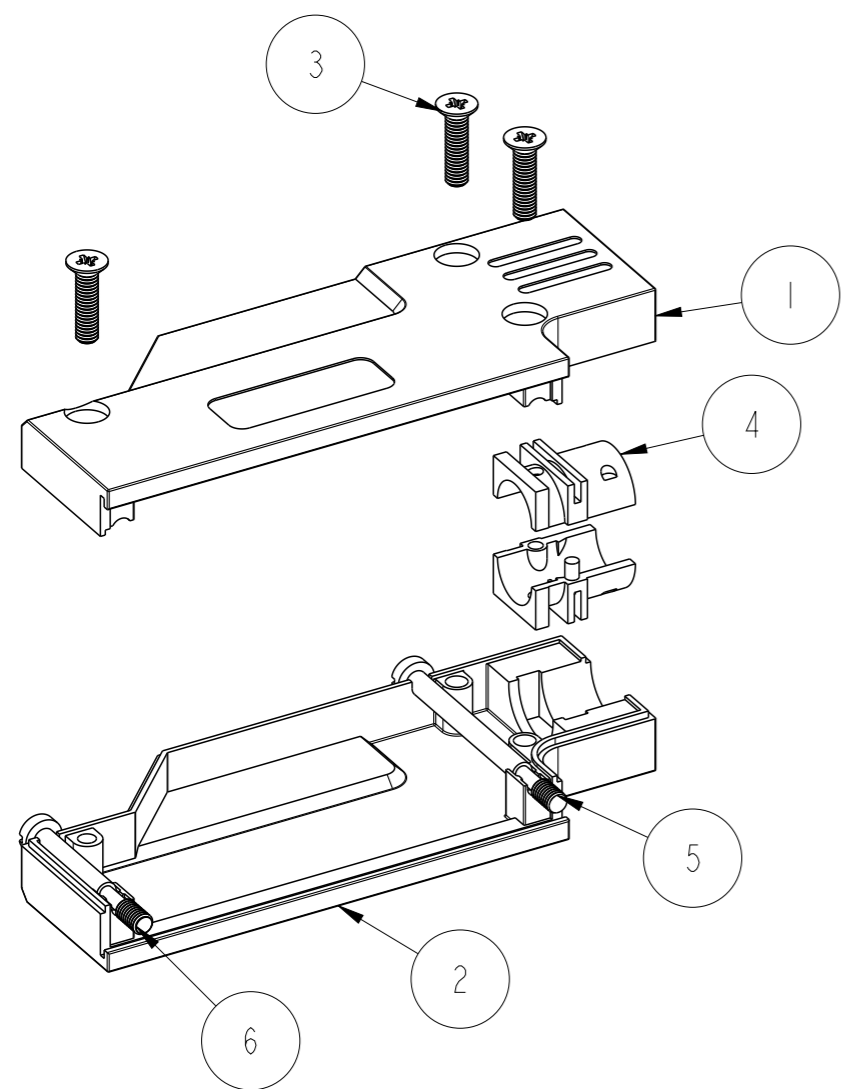
PART NUMBER	PACK	HOOD SIZE
8655GMCS3C11KLF	KIT	37

A

B

C

D



GROMMET SET

ITEM NO.	QTY.	PART DESCRIPTION
1	1	DCMR37-UPPER COVER
2	1	DCMR37-LOWER COVER
3	3	M3X12 SCREW
4	1	D45ZK-D2 GROMMET SET
5	1	UNC4-40x39.5 JACKSCREW
6	1	UNC4-40x28.5 JACKSCREW

spec ref	-	dr	Dipu Joseph	2020/09/15	projection	mm	size	A3	scale	1:1	
tolerance std	ISO 406 ISO 1101	eng	Detouillon, Da	2020/11/17			ecn no	-	rel level	Released	
TOLERANCES UNLESS OTHERWISE SPECIFIED		chr	-	2020/11/13							product family
surface	linear	0.X	±0.3		DSUB METAL HOOD RA EXIT		dwg no	8655GMxxC11KLF	rev	A	
		0.XX	±0.10		cat. no.	-					Product - Customer Drw
	angular	0°	±2°		-						sheet 4 of 4

Creo File - REV E - 2016-02-12

Amphenol FCI

© 2016 AFCI