

STRUCTURE Silicon Monolithic Integrated Circuit
 TYPE System Power Supply with Voltage Detector Function
 PRODUCT SERIES **BA4907FP**
 FEATURES · Built in multiple microcontroller outputs, RESET with a microcontroller delay,
 BATTERY/ACCESSORY voltage detection.

○ABSOLUTE MAXIMUM RATINGS (Ta=25°C)

Parameter	Symbol	Limits	Unit
Supply Voltage	Vcc	36	V
Power Dissipation1	Pd1	0.85	W
Power Dissipation2(*1)	Pd2	1.45	W
Power Dissipation3(*2)	Pd3	6.60	W
Operating Temperature Range	Topr	-40~+85	°C
Storage Temperature Range	Tstg	-55~+150	°C
Peak Supply Voltage	Vcc PEAK	50(注1)	V

Bias voltage is less than 200 msec. (tr≥1msec)

(*1) Mounted on 70mm × 70mm × 1.6mm Glass epoxy PCB(Ta=25°C).

(*2) With infinity Al heat sink(Ta=75°C).

○RECOMMENDED OPERATING RANGES (Ta=25°C)

Parameter	Min.	Typ.	Max.	Unit
Supply Voltage	7.85	14.4	18	V

*No guarantee electrical characteristics.

*This product is not designed for protection against radioactive rays.

*The product described in this specification is a strategic product (and/or service) subject to COCOM regulations. It should not be exported without authorization from the appropriate government.

OELECTRICAL CHARACTERISTICS(Unless otherwise specified, Ta=25°C, Vcc=14.4V)

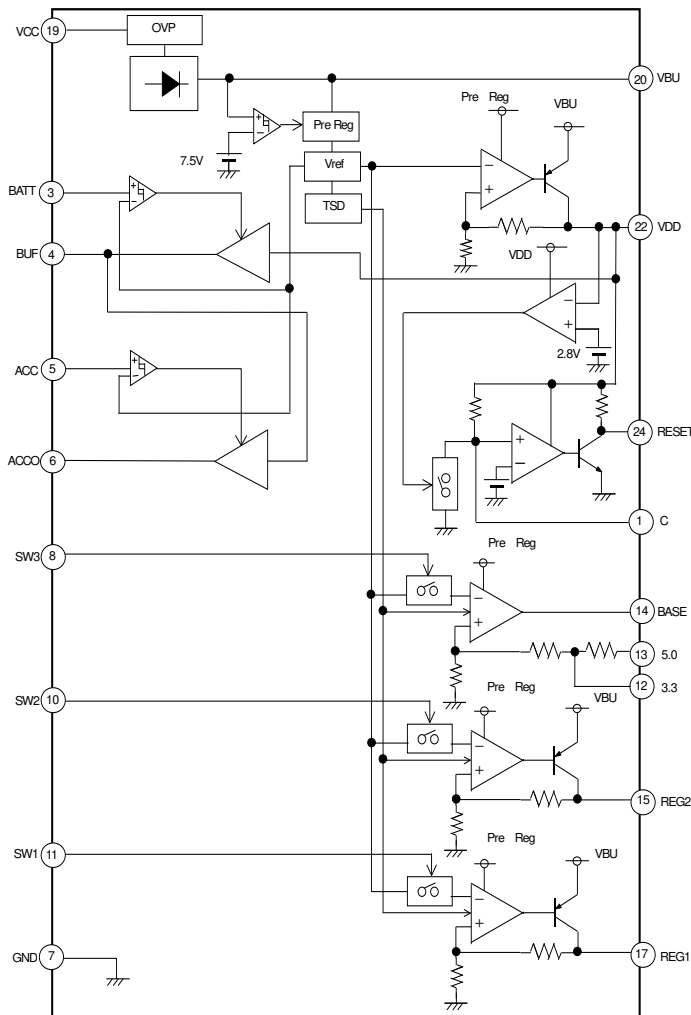
Parameter	Limits			Limits	Condition
	Min.	Typ.	Max.		
Standby Current	-	125	150	μA	Vcc=14.4V
[Output Block]					
Output Voltage (VDD)	4.75	5.0	5.25	V	Io=150mA
Line Regulation	-	5	50	mV	7.85V ≤ Vcc ≤ 18V
Load Regulation	-	90	-	mV	5mA ≤ Io ≤ 150mA
Dropout Voltage	-	1.9	2.6	V	Vcc ≥ 5V
Peak Output Current	100	-	-	mA	
Ripple Rejection	-	60	-	dB	
Output Voltage (REG1)	4.75	5.0	5.25	V	Io=50mA
Line Regulation	-	10	-	mV	7.85V ≤ Vcc ≤ 18V, Io=50mA
Load Regulation	-	90	-	mV	Io=0~50mA
Dropout Voltage	-	1.9	2.6	V	Io=50mA
Peak Output Current	100	-	-	mA	VREG1 ≥ 4.75V
Ripple Rejection	-	60	-	dB	f=100HZ, VRR=-10dBV
Output Voltage (REG2)	4.75	5.0	5.25	V	Io=10mA
Line Regulation	-	10	-	mV	7.85V ≤ Vcc ≤ 18V, Io=10mA
Load Regulation	-	90	-	mV	Io=0~10mA
Dropout Voltage	-	1.9	2.6	V	Io=10mA
Peak Output Current	100	-	-	mA	VREG2 ≥ 4.75V
Ripple Rejection	-	60	-	dB	f=100HZ, VRR=-10dBV
[VBU Detector Block]					
Detection Voltage H	6.2	7.5	8.1	V	VBU Voltage
Detection Voltage L	-	2.25	-	V	VBU Voltage
Hysteresis Width	-	5.25	-	V	
[RESET Block]					
Detection Voltage	2.7	2.8	2.9	V	VDD Voltage
Sink Current	1	4	-	mA	RESET ≤ 0.5V
RESET Pull Up Resistance	2.5	3.1	3.7	KΩ	VDD=5V
C Terminal Voltage	3.00	3.33	3.66	V	VDD=5V
Charge Resistance	160	200	240	KΩ	※VDD=5V
RESET Rise Time	-	-	50	μsec	
RESET Fall Time	-	-	50	μsec	
[BATT Voltage Detection]					
Threshold Voltage	1.18	1.23	1.28	V	L→H
Hysteresis Width	36	72	144	mV	
BUF Voltage H	4.0	-	5.25	V	Io=5 μA
BUF Voltage L	-	-	0.5	V	I1=0mA
Output Current H	5	10	-	mA	VOH ≥ 4V
Output Current L	0.1	0.2	-	mA	VOL ≤ 0.5V
BUF Rise Time	-	-	50	μsec	
BUF Fall Time	-	-	50	μsec	
[Acc Voltage Detection]					
Hysteresis Width	36	72	144	mV	
Output Voltage H	4.0	-	5.25	V	Io=5 μA
Output Voltage L	-	-	0.5	V	I1=0mA
Output Current H	5	10	-	mA	VOH ≥ 4V
Output Current L	0.1	0.2	-	mA	VOL ≤ 0.5V
Acc Rise Time	-	-	50	μsec	
Acc Fall Time	-	-	50	μsec	

※Delay Time t=200KΩ × 1.15C(sec)

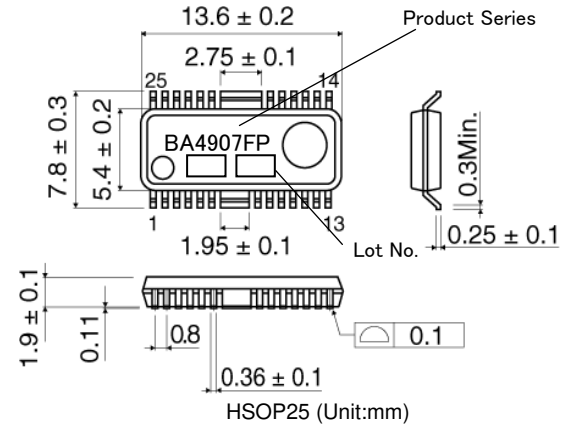
※Design Guarantee(Outgoing Inspection is not done on all products)

Parameter	Limits			Limits	Condition
	Min.	Typ.	Max.		
Backup-switch					
VBU Peak Output Current	0.2	0.3	-	A	VBU>5V
Reverse Current	-	-	200	μ A	Up=0V, VBU=12V
REG1,2,3SW					
Standby Level	-	-	1.4	V	
Active Level	2.2	-	-	V	
SW Input Current	13	25	37	μ A	REG1,2,3SW=5V
REG3					
Output Voltage	4.75	5	5.25	V	
Base Current	7	-	-	mA	Vo \geq 4.75V

○ BLOCK DIAGRAM



○ PHYSICAL DIMENSIONS・MARKING



○ PIN NO.・PIN NAME

PIN NO.	PIN NAME
1	C
2	N. C.
3	BATT
4	BUF
5	ACC
6	ACCO
FIN	FIN
7	GND
8	SW3
9	N. C.
10	SW2
11	SW1
12	3.3
13	5.0
14	BASE
15	REG2
16	N. C.
17	REG1
18	N. C.
19	VCC
20	VBU
21	N. C.
22	VDD
23	N. C.
24	RESET
25	N. C.

※Refer to the Technical Note about the details of the application.

ONOTES FOR USE

1. Over Voltage Protection Circuit

The Over Voltage Protection Circuit function is that when the difference voltage of Vcc and Gnd exceeds over about 33V (room temperature), the each output turn off.
Please be sure of the power supply voltage range you use.

2. Over Current Protection Circuit

Each output , VDD , REG1 , REG2 and REG3 have the Over Current Protection Circuit that is enough for the each output current ability , and it protects the IC destruction against the huge current load.
The protection circuit is 『fold back type』 current limiter and designed not as to occur the Latch Up by the huge current in a moment by the huge capacitor.
In case of the output level is lower than 1Vbe , the output is considered as shorted mode , and the output current ability becomes smaller. So please make sure when you design the application.

3. Thermal Shut Down Circuit

The Thermal Shut Down Circuit is built in IC to prevent the damage due to overheating. Therefore , all the output except VDD are turned off when it works , and turned on when the temperature goes down to the specified level.

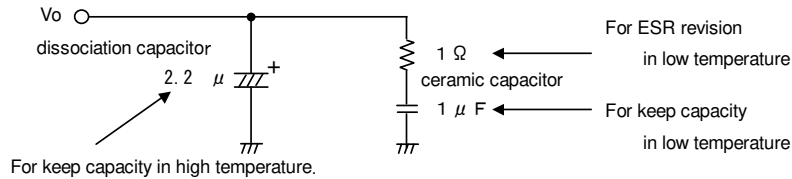
4. Output Circuit

VDD , REG1 and REG2 output constitutes PNP Power transistor. When the VCC terminal voltage drop lower , the IC has a counter measure not to be destroyed if the output voltage is lower than Vcc caused by the output capacitor.

5. The oscillation stopper of output capacitor

Please use the oscillation stopper between the VDD , REG1 , REG2 , REG3 and VBU each output and Gnd. The capacitor is over 2.2 μ F and recommended the small temperature change one.
In case of the capacitor temperature change is big , it may get characteristic improvement to use the serial 1 μ F ceramic capacitor and 1 Ω resistor in parrell.

•Recommendation



6. The calculation expression of the BATT and ACC detection.

BATT and ACC detection voltage is controlled under the below expression.

○ L→H detection voltage

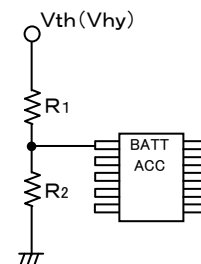
$$V_{th} = 1.23 \times \left(1 + \frac{R_1}{R_2}\right)$$

reference voltage (accuracy ± 5%)
* In consideration of temperature

○ H→L hysteresis width

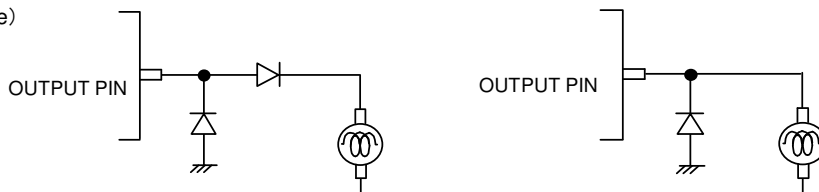
$$V_{hy} = 0.072 \times \left(1 + \frac{R_1}{R_2}\right)$$

reference voltage (accuracy ± 50%)
* In consideration of temperature



7. We recommend using Diode for protection purpose in case of output pin connected with large loads of impedance or reverse current at initial stages or output off stage.

(Example)



8. In the application , in case of the each terminal is lower than Gnd , it recommend to use the bypass circuit.

Notes

No copying or reproduction of this document, in part or in whole, is permitted without the consent of ROHM Co.,Ltd.

The content specified herein is subject to change for improvement without notice.

The content specified herein is for the purpose of introducing ROHM's products (hereinafter "Products"). If you wish to use any such Product, please be sure to refer to the specifications, which can be obtained from ROHM upon request.

Examples of application circuits, circuit constants and any other information contained herein illustrate the standard usage and operations of the Products. The peripheral conditions must be taken into account when designing circuits for mass production.

Great care was taken in ensuring the accuracy of the information specified in this document. However, should you incur any damage arising from any inaccuracy or misprint of such information, ROHM shall bear no responsibility for such damage.

The technical information specified herein is intended only to show the typical functions of and examples of application circuits for the Products. ROHM does not grant you, explicitly or implicitly, any license to use or exercise intellectual property or other rights held by ROHM and other parties. ROHM shall bear no responsibility whatsoever for any dispute arising from the use of such technical information.

The Products specified in this document are intended to be used with general-use electronic equipment or devices (such as audio visual equipment, office-automation equipment, communication devices, electronic appliances and amusement devices).

The Products specified in this document are not designed to be radiation tolerant.

While ROHM always makes efforts to enhance the quality and reliability of its Products, a Product may fail or malfunction for a variety of reasons.

Please be sure to implement in your equipment using the Products safety measures to guard against the possibility of physical injury, fire or any other damage caused in the event of the failure of any Product, such as derating, redundancy, fire control and fail-safe designs. ROHM shall bear no responsibility whatsoever for your use of any Product outside of the prescribed scope or not in accordance with the instruction manual.

The Products are not designed or manufactured to be used with any equipment, device or system which requires an extremely high level of reliability the failure or malfunction of which may result in a direct threat to human life or create a risk of human injury (such as a medical instrument, transportation equipment, aerospace machinery, nuclear-reactor controller, fuel-controller or other safety device). ROHM shall bear no responsibility in any way for use of any of the Products for the above special purposes. If a Product is intended to be used for any such special purpose, please contact a ROHM sales representative before purchasing.

If you intend to export or ship overseas any Product or technology specified herein that may be controlled under the Foreign Exchange and the Foreign Trade Law, you will be required to obtain a license or permit under the Law.



Thank you for your accessing to ROHM product informations.
More detail product informations and catalogs are available, please contact us.

ROHM Customer Support System

<http://www.rohm.com/contact/>