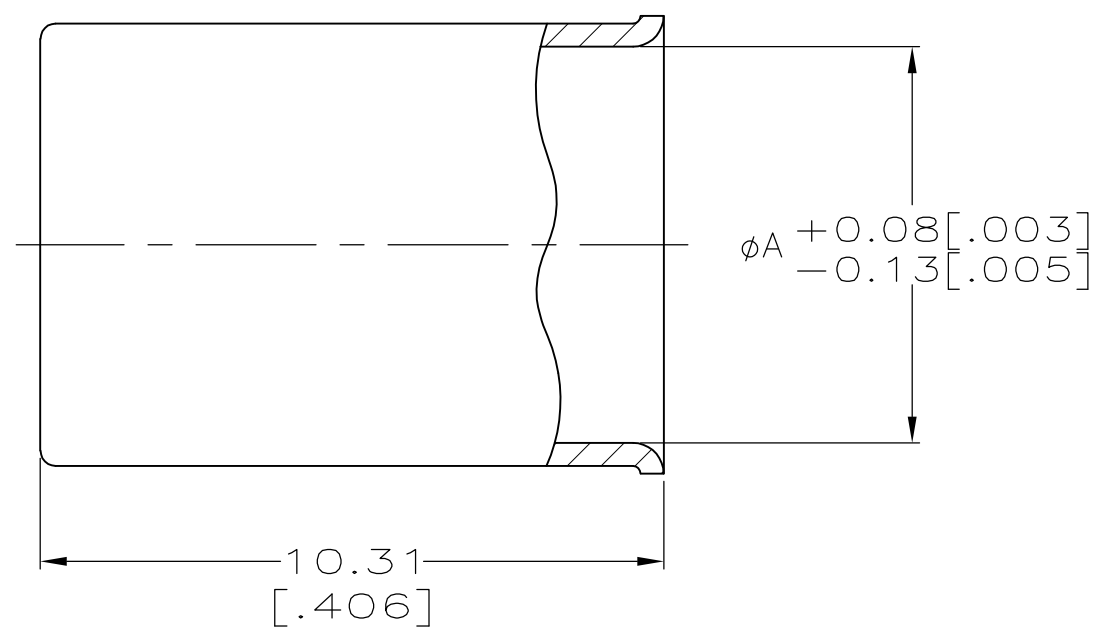


THIS DRAWING IS UNPUBLISHED. RELEASED FOR PUBLICATION
 © COPYRIGHT BY TYCO ELECTRONICS CORPORATION. ALL RIGHTS RESERVED.

| LOC | DIST | REVISIONS | | | | | |
|-----|------|-----------|-----|---------------------------|---------|-----|------|
| AJ | 16 | P | LTR | DESCRIPTION | DATE | DWN | APVD |
| | | | AJ2 | REVISED PER ECO-10-008433 | 24MAY10 | HMR | KW |



1. COPPER ALLOY
- △2 TIN-LEAD PLATE PER ASTM-B-545, 2.54 μm [.000100] MIN THICKNESS, WITH SUPPLEMENTAL ANTI FRETTING LUBRICANT.
- △3 SILVER PLATE PER QQ-S-365, 5.08 μm [.000200] MIN THICKNESS
- △4 SEE SEPARATE RESTRICTED CUSTOMER DRAWING FOR THIS PART NUMBER
- △5 MATTE TIN PLATE 2.54 μm [.000100] MINIMUM THICKNESS, WITH SUPPLEMENTAL ANTI FRETTING LUBRICANT
- △6 BRIGHT TIN PLATE 2.54 μm [.000100] MINIMUM THICKNESS, WITH SUPPLEMENTAL ANTI FRETTING LUBRICANT

| | | | | |
|----|----------|-------------|--------|-------------|
| △4 | OBSOLETE | - | - | 50428-9 |
| | OBSOLETE | 6.35 [.250] | △3 | 50428-8 |
| | | 6.35 [.250] | △2 | 50428-6 |
| | | 6.55 [.258] | △2 | 50428-2 |
| | | 6.55 [.258] | △3 | 50428-1 |
| | | 6.55 [.258] | △5 | 9-50428-0 |
| | | 6.35 [.250] | △5 | 9-50428-1 |
| | | 6.55 [.258] | △6 | 9-50428-2 |
| | | 6.35 [.250] | △6 | 9-50428-3 |
| | | 6.55 [.258] | △3 | 9-50428-4 |
| | | ϕA | FINISH | PART NUMBER |

| | | | | | | | | | | | | | | | | |
|--|---------------|--------------------------------|---|------------|-----|-------|---------------|-------|-----|-------|-----|--------|-----|--------------|------|--|
| THIS DRAWING IS A CONTROLLED DOCUMENT. | | DWN M.E. COWHER 2-17-92 | Tyco Electronics Corporation Harrisburg, PA 17105-3608 | | | | | | | | | | | | | |
| DIMENSIONS: mm [INCHES] | | CHK J.T. LIPPERT 2-25-92 | NAME | | | | | | | | | | | | | |
| TOLERANCES UNLESS OTHERWISE SPECIFIED: | | APVD M. PHILLIPS 2-25-92 | FERRULE, HEAVY WALL | | | | | | | | | | | | | |
| <table border="0"> <tr> <td>0 PLC</td> <td>± -</td> </tr> <tr> <td>1 PLC</td> <td>± -</td> </tr> <tr> <td>2 PLC</td> <td>± 0.38 [.015]</td> </tr> <tr> <td>3 PLC</td> <td>± -</td> </tr> <tr> <td>4 PLC</td> <td>± -</td> </tr> <tr> <td>ANGLES</td> <td>± -</td> </tr> </table> | | 0 PLC | ± - | 1 PLC | ± - | 2 PLC | ± 0.38 [.015] | 3 PLC | ± - | 4 PLC | ± - | ANGLES | ± - | PRODUCT SPEC | SIZE | |
| 0 PLC | ± - | | | | | | | | | | | | | | | |
| 1 PLC | ± - | | | | | | | | | | | | | | | |
| 2 PLC | ± 0.38 [.015] | | | | | | | | | | | | | | | |
| 3 PLC | ± - | | | | | | | | | | | | | | | |
| 4 PLC | ± - | | | | | | | | | | | | | | | |
| ANGLES | ± - | | | | | | | | | | | | | | | |
| MATERIAL SEE NOTE 1 | | APPLICATION SPEC | CAGE CODE | DRAWING NO | | | | | | | | | | | | |
| FINISH SEE TABLE | | WEIGHT | A3 00779 | G-50428 | | | | | | | | | | | | |
| | | CUSTOMER DRAWING | RESTRICTED TO | | | | | | | | | | | | | |
| | | SCALE | SHEET | REV | | | | | | | | | | | | |
| | | 8:1 | 1 OF 1 | AJ2 | | | | | | | | | | | | |