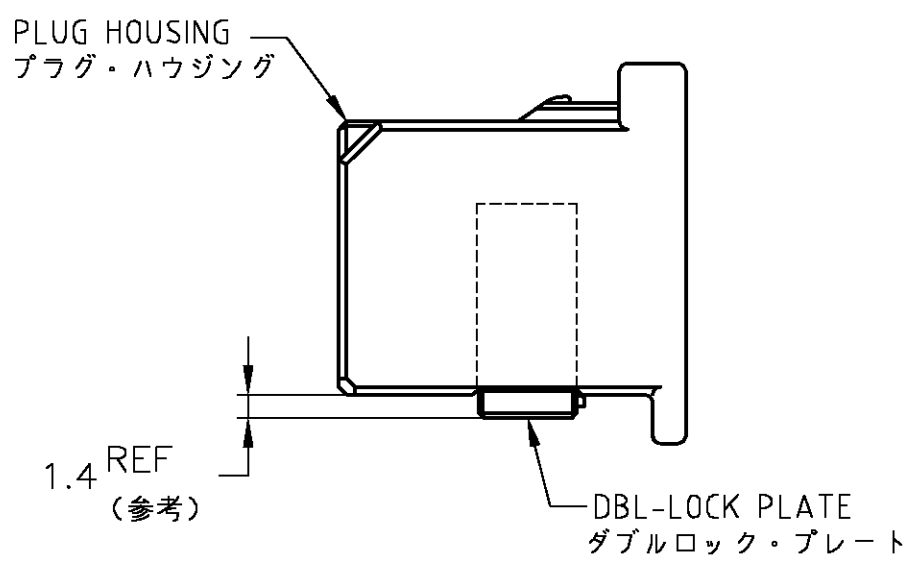
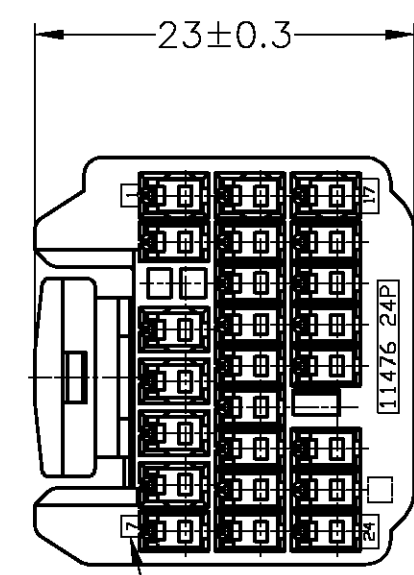
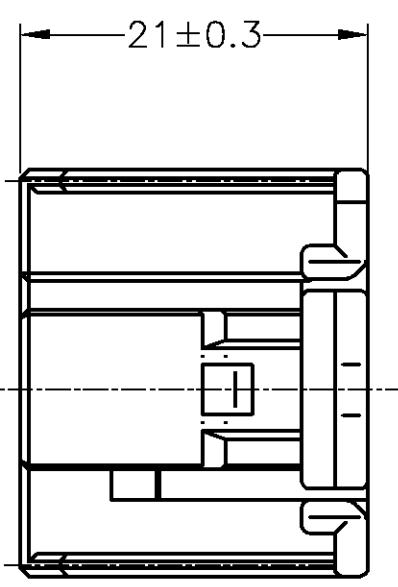
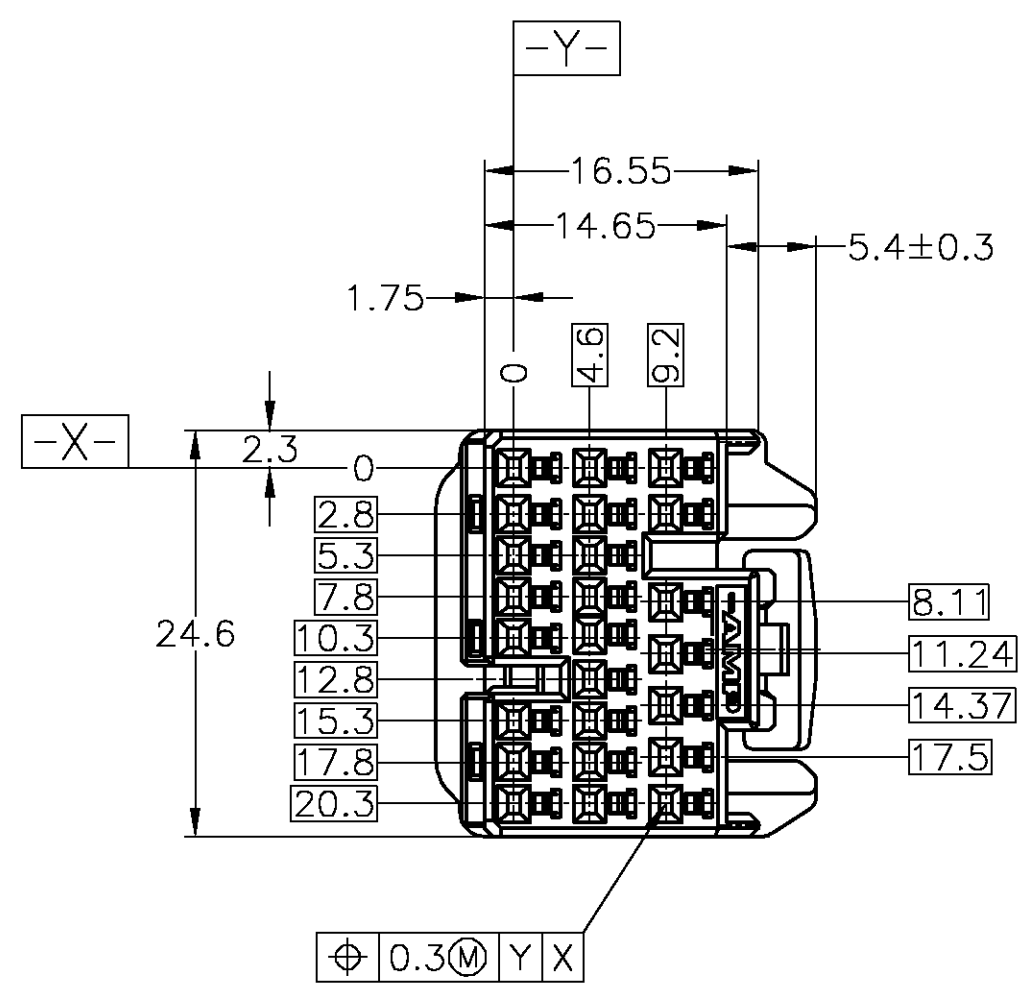


THIS DRAWING IS UNPUBLISHED. RELEASED FOR PUBLICATION  
 © COPYRIGHT BY TYCO ELECTRONICS CORPORATION. ALL RIGHTS RESERVED.

LOC	DIST	REVISIONS					
		P	LTR	DESCRIPTION	DATE	DWN	APVD
J	-	B1	REVISED	ECR-06-001254	22MAY06	MS	KB



- PART NUMBER OF CAP HOUSINGS TO BE MATED: 353015, 353016
- DETAILS OF CAVITIES; SEE TABLE-1
- 嵌合相手ハウジング型番; 353015, 353016
- キャビティ構成は、TABLE-1 参照

TABLE-1

CAVITY キャビティ	POSITION 極数	CIRCUIT NUMBER 回路番号	APPLIED CONTACT PART NUMBER 適用端子型番	APPLICABLE WIRE RANGE 適用電線
	17	2,7 9~16 18~24	316836, 316837	AVSS/CAVS 0.3~0.5mm <sup>2</sup> CAVUS 0.3~0.5mm <sup>2</sup>
	7	1, 3~6, 8,17	316836, 316837 316838	AVS 0.5mm <sup>2</sup> AVSS/CAVS 0.85~1.25mm <sup>2</sup> CAVUS 1.25mm <sup>2</sup>

SEE DRAWING 353029-3	353029-3
BLACK (黒)	353029-2
NATURAL (自然色)	353029-1
COLOR (色)	PART NUMBER (型番)

TOLERANCES UNLESS OTHERWISE SPECIFIED: 一般公差

10 <sub>±</sub>	: ±0.2
30 <sub>±</sub>	: ±0.25
100 <sub>±</sub>	: ±0.3
ANGLE	: ±3°

THIS DRAWING IS A CONTROLLED DOCUMENT.

DIMENSIONS: 単位: 耗 mm	TOLERANCES UNLESS OTHERWISE SPECIFIED: 一般公差	DWN M.SUGAWARA 22MAY06	Tyco Electronics AMP K.K. Kawasaki, Japan												
	<table border="1"> <tr> <td>0 PLC</td> <td>±-</td> </tr> <tr> <td>1 PLC</td> <td>±-</td> </tr> <tr> <td>2 PLC</td> <td>±-</td> </tr> <tr> <td>3 PLC</td> <td>±-</td> </tr> <tr> <td>4 PLC</td> <td>±-</td> </tr> <tr> <td>ANGLES</td> <td>±-</td> </tr> </table>	0 PLC		±-	1 PLC	±-	2 PLC	±-	3 PLC	±-	4 PLC	±-	ANGLES	±-	CHK T.SHINOHARA 22MAY06
		0 PLC		±-											
		1 PLC		±-											
2 PLC	±-														
3 PLC	±-														
4 PLC	±-														
ANGLES	±-														
MATERIAL 材料	FINISH 仕上	APVD K.BETSUI 22MAY06													
PBT	-	PRODUCT SPEC 製品規格 108-5529													

APPLICATION SPEC 取付適用規格 114-5217

WEIGHT 5.41g

CUSTOMER DRAWING

SIZE	CAGE CODE	DRAWING NO 番号	RESTRICTED TO
A3	00779	C-353029	-

SCALE 尺度 2:1 SHEET 1 OF 1 REV B1