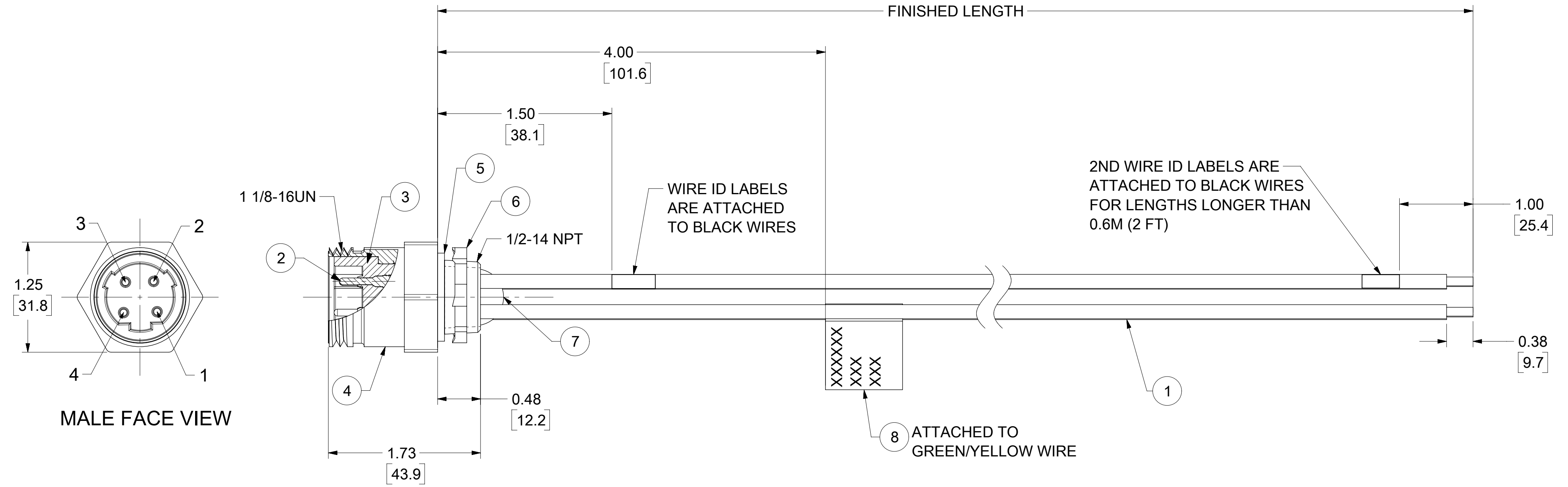
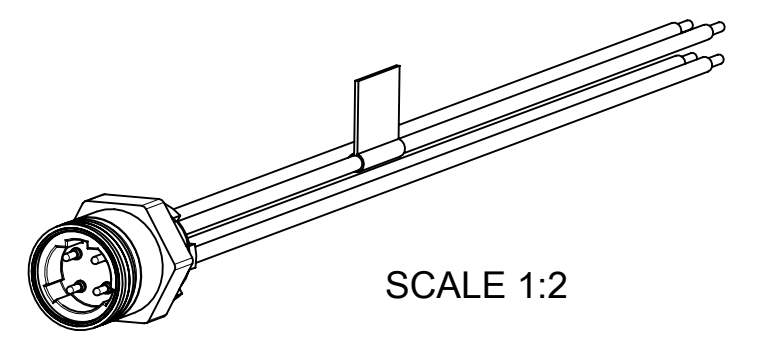


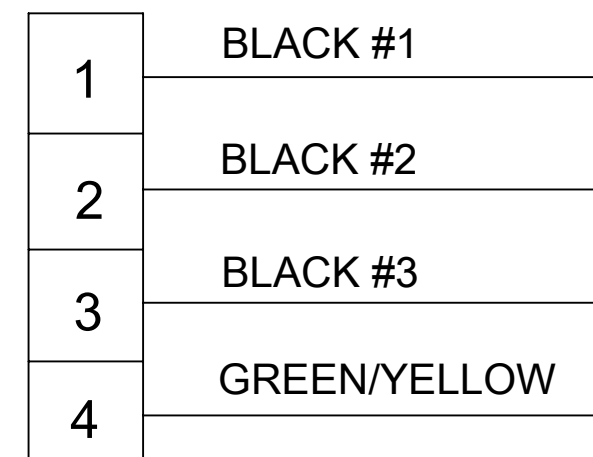
PART NO.	ENGINEERING NO.	FINISHED LENGTH
1300660319	3R4106A84M0033	0.3M (11.81 FT)
1300662015	3R4106A84M0203	2M (6 FT 6.74 IN)
1300662017	3R4106A84M0403	4M (13 FT 1.48 IN)

**CABLE LENGTH TOLERANCES**  
 <.3M [1FT]: +19mm-0 [+ .75in-0]  
 .3 - .9M [1 - 3FT]: +44.5mm-0 [+1.75in-0]  
 .9 - 1.8M [3 - 6FT]: +55.6mm-0 [+2.19in-0]  
 1.8 - 3.7M [6 - 12FT]: +88.9mm-0 [+3.50in-0]  
 3.7 - 7.3M [12 - 24FT]: +165.1mm-0 [+6.50in-0]  
 7.3-14.6M [24 - 48FT]: +317.5mm-0 [+12.50in-0]  
 14.6 - 30.5M [48-100FT]: +622.3mm-0 [+24.50in-0]  
 OVER 30M [100FT] +2% OF FINISHED LENGTH



- NOTES:**
- MATERIAL: AS NOTED
  - FINISH: AS NOTED
  - ELECTRICAL:
    - VOLTAGE: 483V PER IEC60664 (B2)
    - 600V PER UL2237
    - CURRENT: 25A
  - TEMP RATING: -20°C TO +105°C (B2)
  - PROTECTION: IP67 (WHEN MATED)
  - UL LISTED FILE: 258922
  - ALL DIMS ARE FOR REFERENCE UNLESS TOLERANCED OR NOTED OTHERWISE

**WIRING DIAGRAM**



**PART NUMBER LEGEND (B2)**

**3R4106A84M0033**

FINISHED LENGTH  
 M001 = 0.1 METER  
 M010 = 1 METER  
 M100 = 10 METER

ITEM	DESCRIPTION	MATERIAL	FINISH
8	FLAG LABEL	VINYL	YELLOW
7	POTTING MATERIAL	EPOXY	BLACK
6	LOCKNUT	STEEL	ZINC PLATED
5	GASKET	NITRILE	BLACK
4	RECEPTACLE SHELL	Cu ALLOY	NICKEL PLATED
3	4P MALE INSERT	TPE	BLACK
2	PIN CONTACT	Cu ALLOY	GOLD OVER NICKEL
1	#12 AWG, WIRE, 1015/TEW	PVC	SEE WIRING DIAGRAM
ITEM	DESCRIPTION	MATERIAL	FINISH

FUNCTIONAL SYMBOLS										THIS DRAWING CONTAINS INFORMATION THAT IS PROPRIETARY TO MOLEX ELECTRONIC TECHNOLOGIES, LLC AND SHOULD NOT BE USED WITHOUT WRITTEN PERMISSION																
DIMENSION UNITS					SCALE					CURRENT REV DESC: UPDATED IEC VOLT, TEMP RATING, GENERAL NOTES, MATERIAL TABLE & TOL. TABLE																
INCH/MM					1.2:1																					
GENERAL TOLERANCES (UNLESS SPECIFIED)										EC NO: 718076																
4 PLACES ±					MM					DRWN: VHANDI 2020/09/30																
3 PLACES ±					INCH					CHK'D: RSTONE 2022/08/18																
2 PLACES ±										APPR: BWOODMAN 2022/08/22																
1 PLACE ±										INITIAL REVISION:																
0 PLACES ±										DRWN: TWOLDEGEBRIE 2016/07/06																
ANGULAR TOL ± °										APPR: BWOODMAN 2016/11/14																
DRAFT WHERE APPLICABLE MUST REMAIN WITHIN DIMENSIONS					THIRD ANGLE PROJECTION					DRAWING SERIES																
					C-SIZE					130066																
DOCUMENT STATUS			P1			RELEASE DATE			2022/08/22			20:40:26			DOCUMENT NUMBER			DOC TYPE			DOC PART			REVISION		
1300660319			PSD			000			B2			MATERIAL NUMBER			CUSTOMER			SHEET NUMBER								
SEE TABLE			GENERAL MARKET			1 OF 1																				