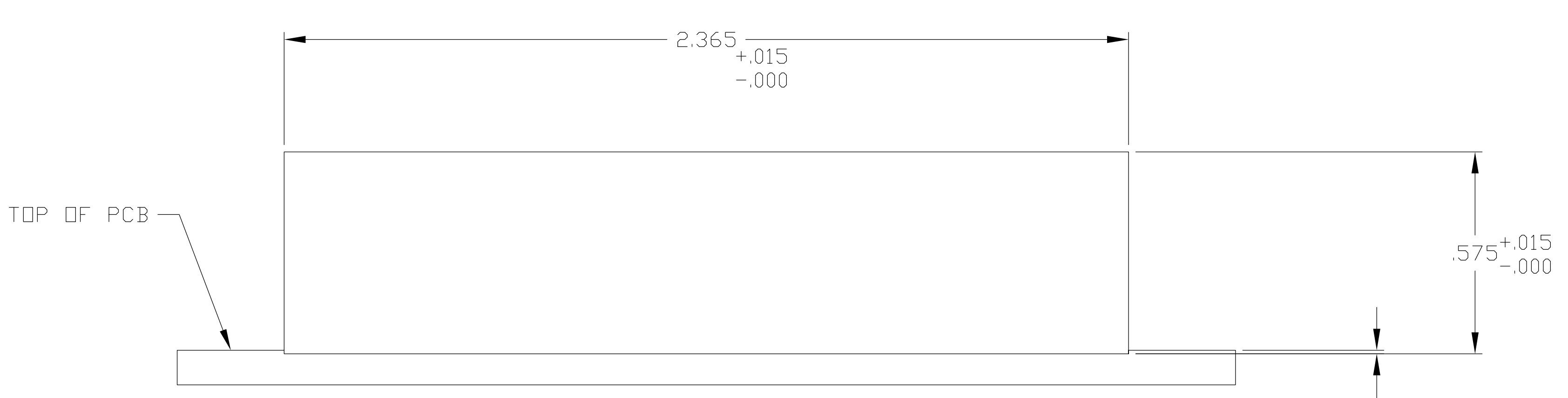
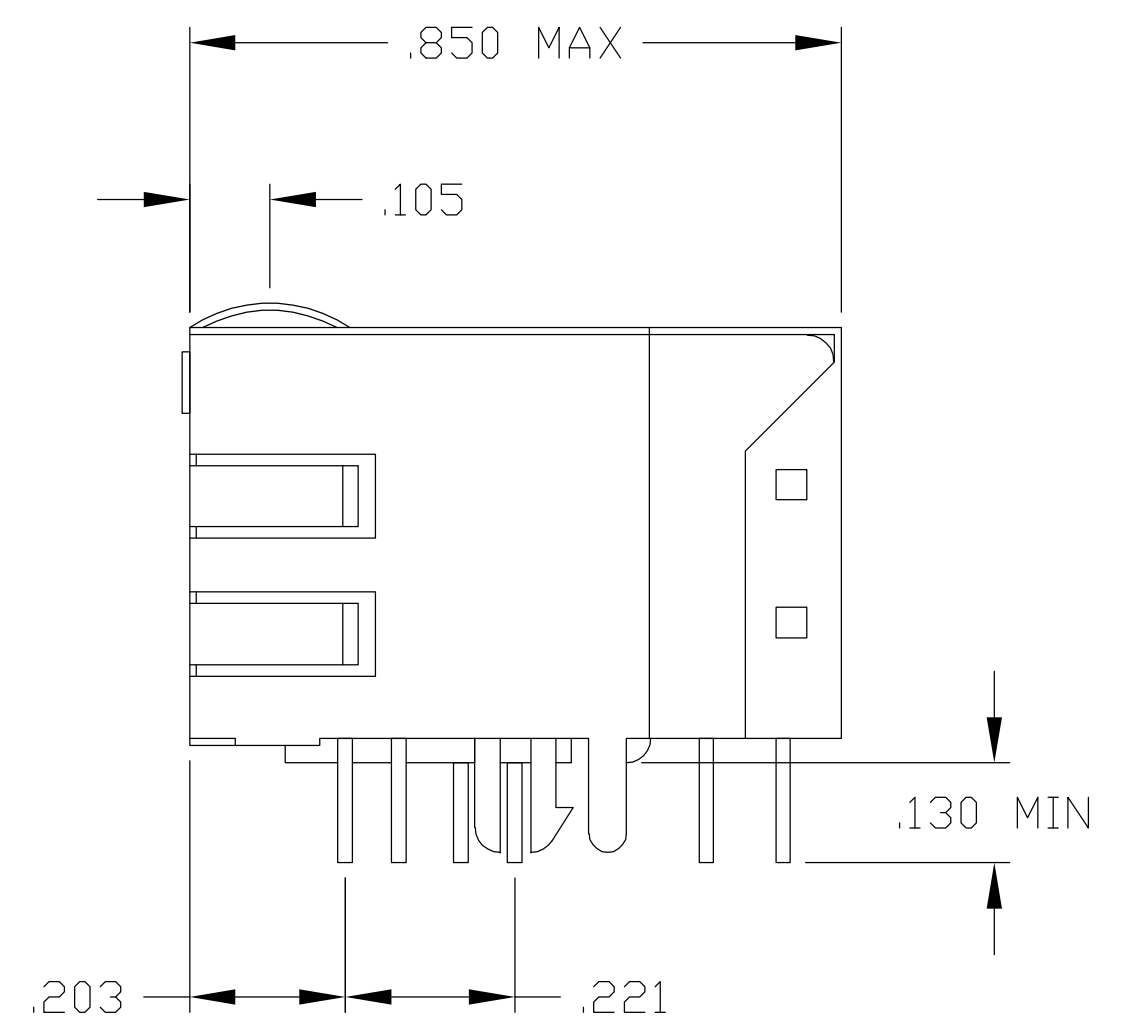
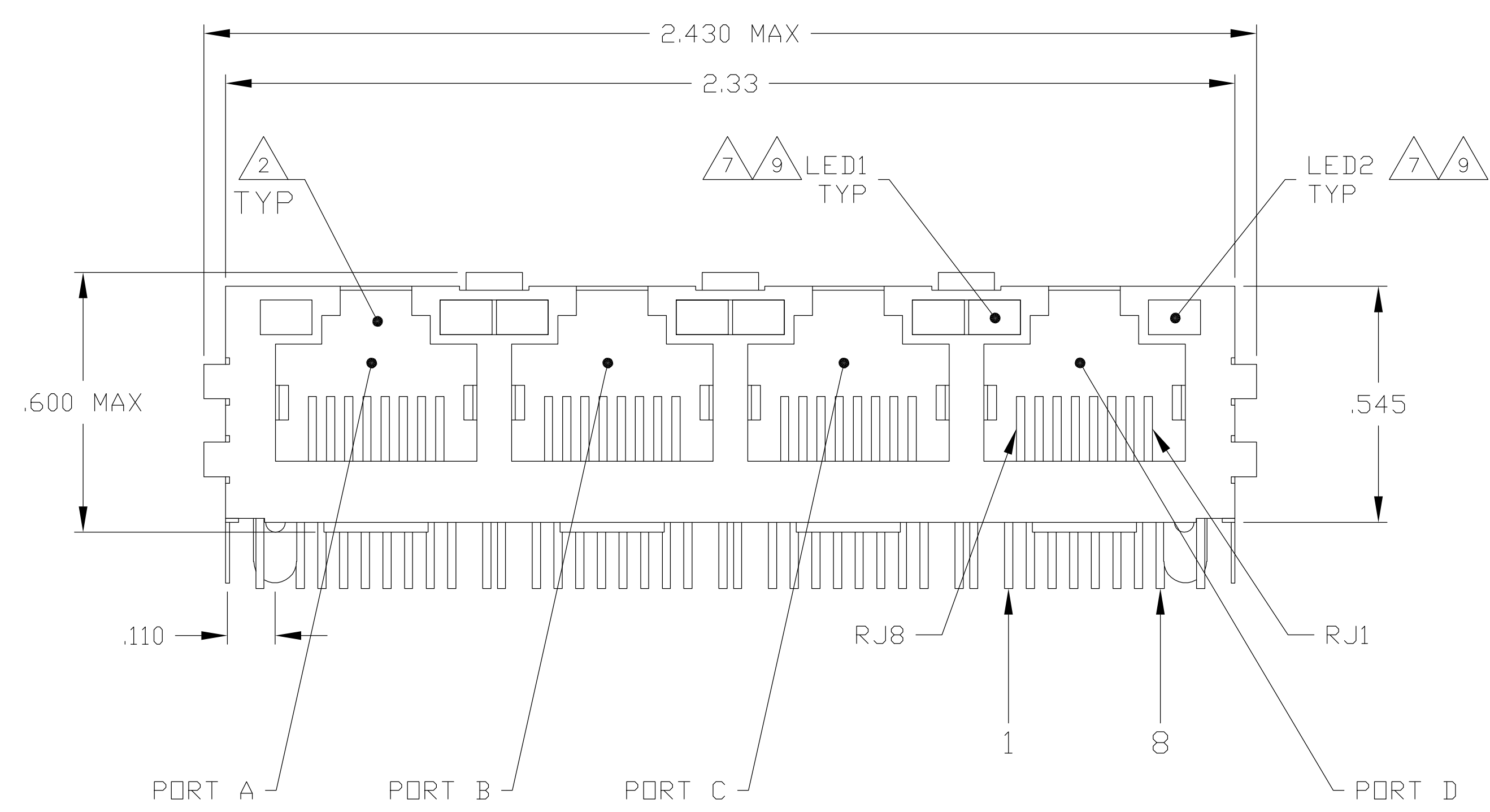
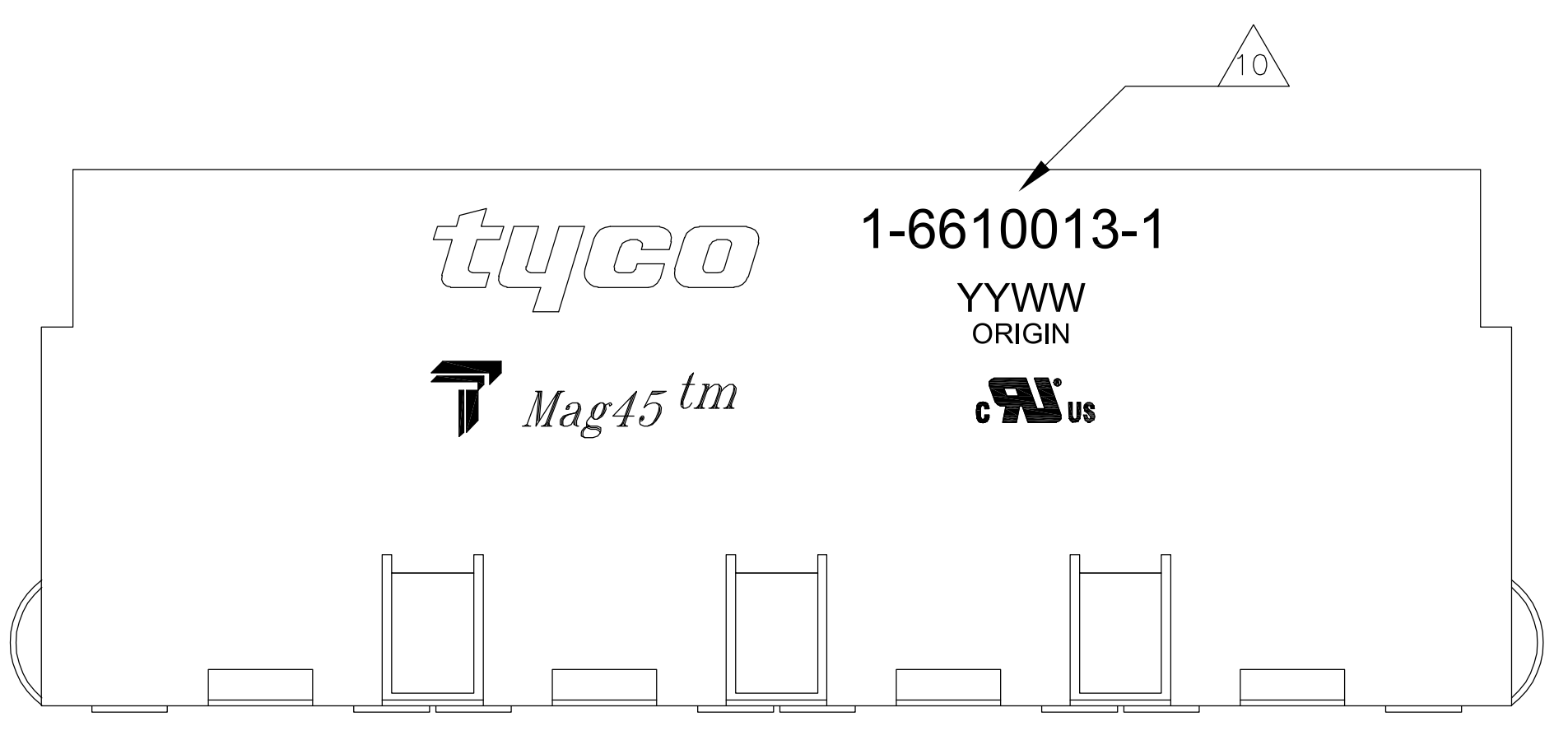


MECHANICAL:



1X4 SUGGESTED PANEL CUTOUT

- 1 MATERIALS:
 - HOUSING - THERMOPLASTIC PET POLYESTER FLAMMABILITY RATING UL 94V-0
 - SHIELD - .010" THICK, C26800 BRASS PREPLATED WITH 30µINCH MIN SEMI-BRIGHT NICKEL. SOLDER TABS POST DIPPED WITH 100µINCH MIN SAC SOLDER.
 - MOD JACK CONTACTS - 0.0157 X 0.018" PHOSPHOR BRONZE, 50µINCH MIN OVERALL NICKEL UNDERPLATE WITH SELECT 50µINCH MIN HARD GOLD FINISH PLATE. SOLDER TAILS WITH 100µINCH MIN MATTE TIN AND/OR SAC SOLDER DIP.
 - LIGHT EMITTING DIODE(LED) - DIFFUSED EPOXY LENS, .020" X .020" CARBON STEEL WIREFRAME LEADS PRE-PLATED WITH 80µINCH SILVER OVER 40µINCH NICKEL UNDERPLATE OVER 40µINCH COPPER UNDER-PLATE. POST-PLATED WITH 100µIN MIN MATTE TIN AND/OR SAC SOLDER DIP OR PURE TIN SOLDER DIP.
- 2 RJ45 JACK CAVITY CONFORMS TO FCC RULES AND REGULATIONS PART 68, SUB PART F.
- 3 MAGNETICS
 - IMPEDANCE: 100 OHMS
 - TURNS RATIO (CHIP:CABLE): TX = 1:1, RX = 1:1
 - OPEN CIRCUIT INDUCTANCE (OCL): 350µH MIN @100kHz, 0.1VRMS, 8mADC BIAS FROM 0°C TO 70°C, TX AND RX
 - PERFORMANCE @ 25°C:
 - INSERTION LOSS (IL): 1.1dB MAX FROM 0.5MHz TO 100MHz
 - RETURN LOSS (RL): 18dB MIN FROM 0.5MHz TO 30MHz
 - 18-20LOG(f/30)dB MIN FROM 30.1MHz TO 60MHz
 - 12dB MIN FROM 60.1MHz TO 80MHz
 - CROSSTALK ATTENUATION: 35dB MIN FROM 0.5MHz TO 40MHz
 - 33-20*LOG(f/50)dB MIN FROM 40.1MHz TO 100MHz
 - COMMON MODE REJECTION RATIO (CMRR): 30dB MIN FROM 0.5MHz TO 100MHz
 - ISOLATION VOLTAGE: COMPLIES WITH IEEE802.3 2002, PARA 23.5.1.1, ITEM a or b.
- 4 C1 IS AN OPTIONAL 1000 pF, 2KV DECOUPLING CAPACITOR. IF NO CAPACITOR, TRACE IS CONTINUOUS. SEE TABLE FOR PRESENCE OF CAPACITOR IN DIFFERENT CONFIGURATIONS.
- 5. OPERATING TEMPERATURE: FROM 0° TO +70°C.
- 6 R1-R4 = 75 OHMS, 1/16 W, 5%.
- 7 LED COMPLIANT WITH IEC60825-1 SAFETY OF LASER PRODUCTS. WHEN OPERATED AT 20 mA. THE 250 OHM RESISTOR IS INCLUDED.
- 8 INDICATED CONNECTIONS ARE FOR NIC CONFIGURATION. THE MAGNETICS ARE ASYMMETRICAL, AND DO NOT SUPPORT AUTO-MDI/MDIX.
- 9 LED PEAK WAVELENGTH: GREEN (λ) = 565nm, YELLOW (λ) = 585nm.
- 10 TRADEMARK, PART NUMBER, DATE CODE, COUNTRY OF ORIGIN AND AGENCY APPROVAL MARKING IN APPROXIMATE LOCATION SHOWN.

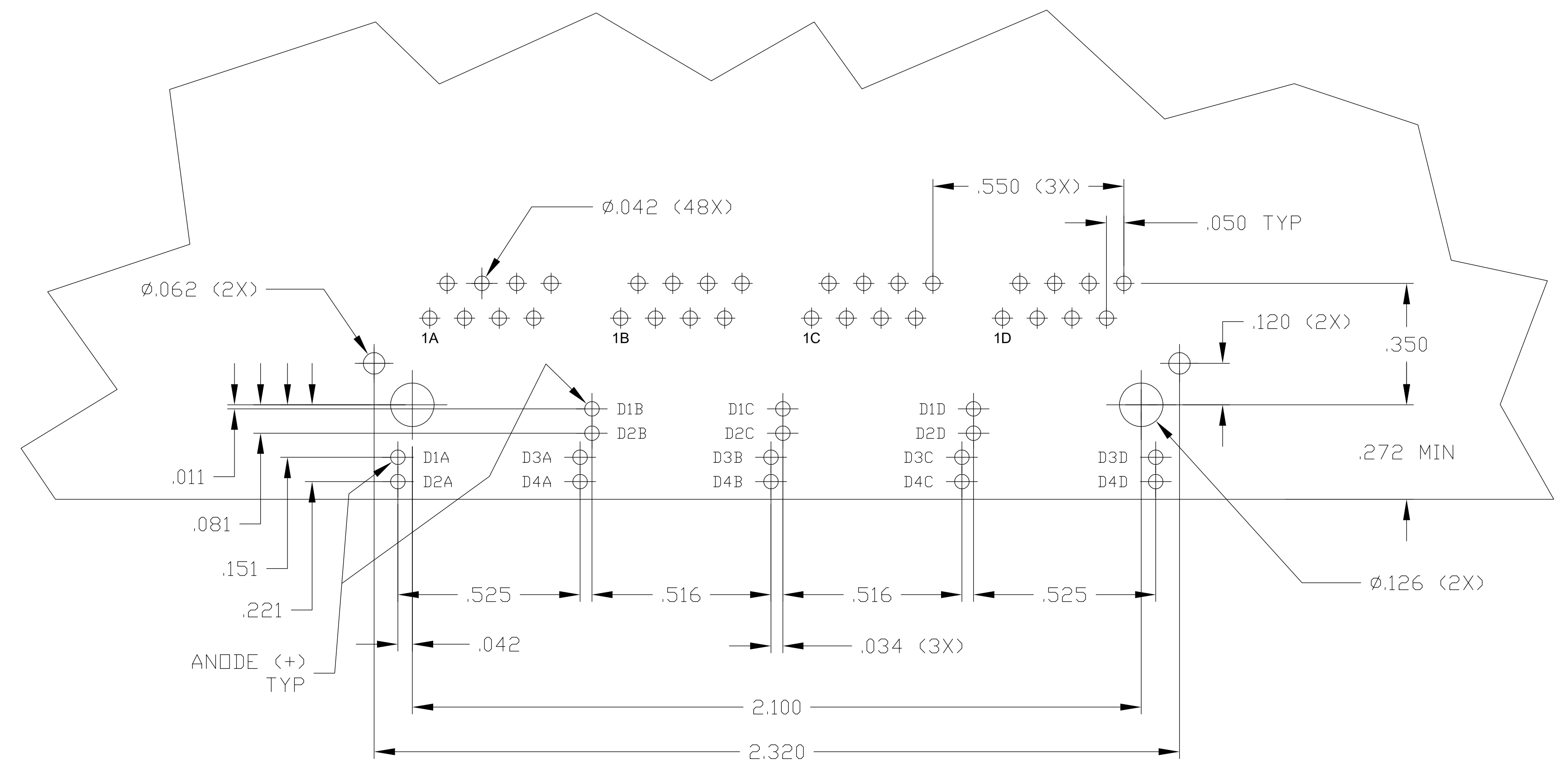
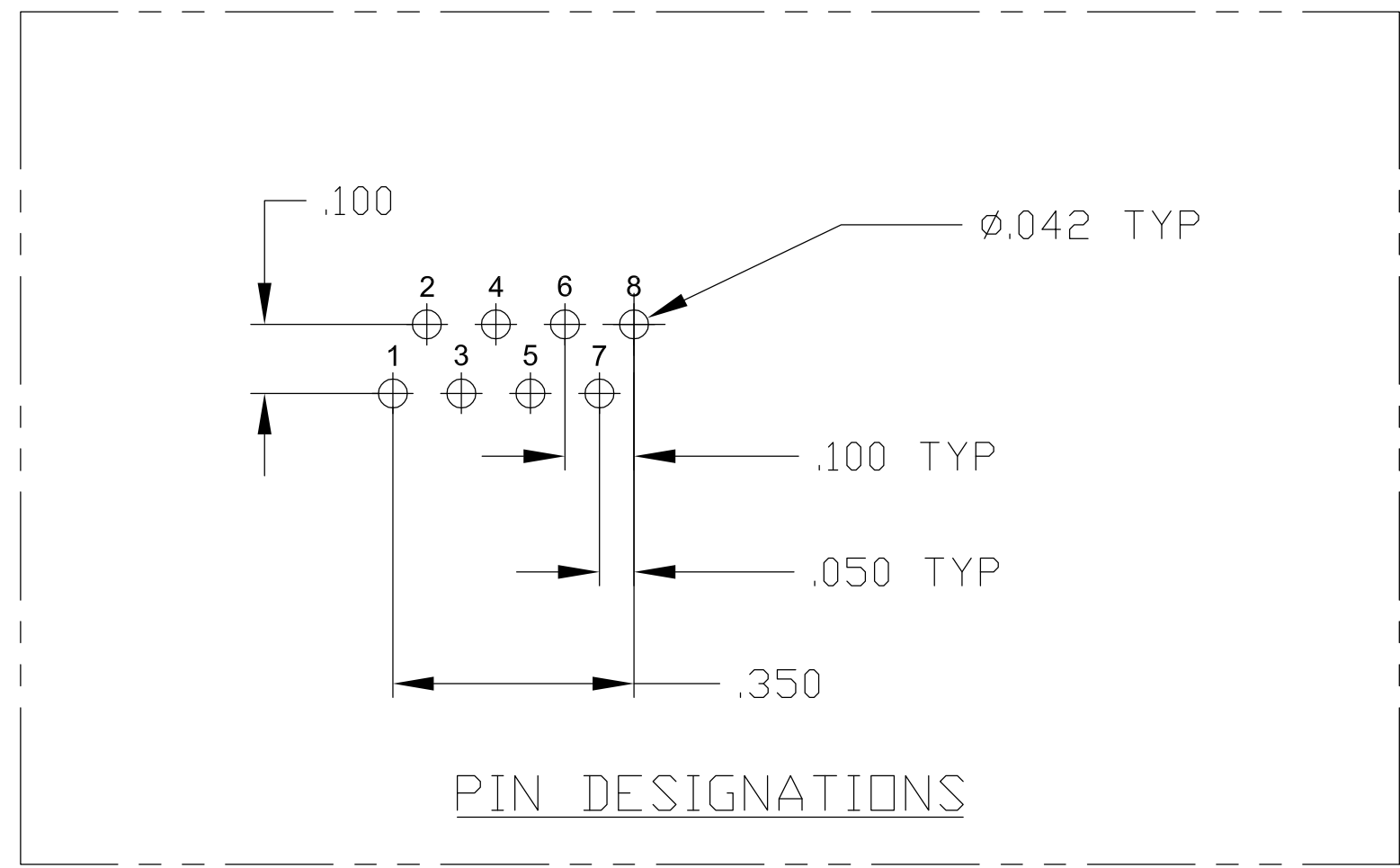
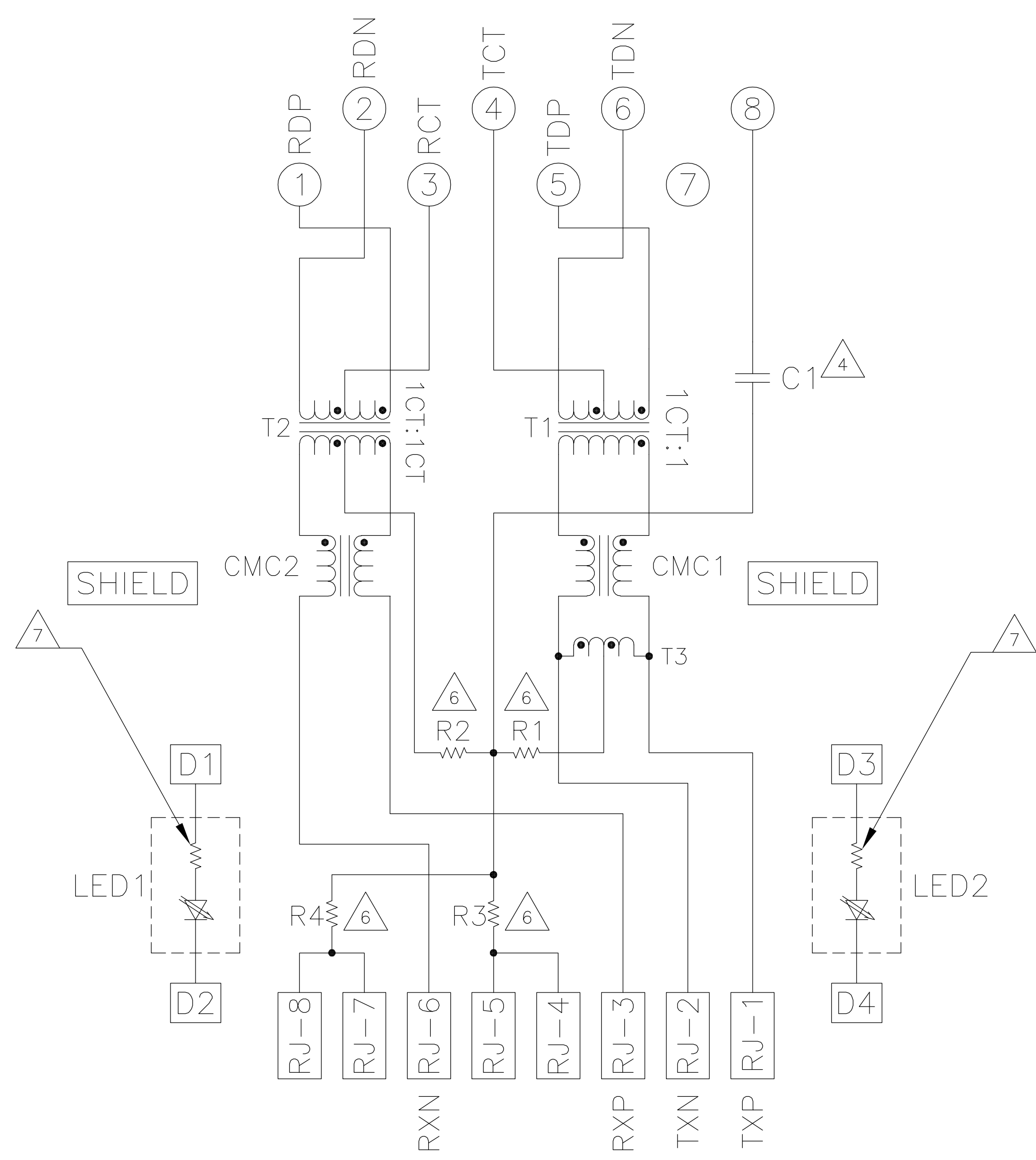
YES	GREEN	GREEN	6-6610013-1
YES	YELLOW	GREEN	5-6610013-2
YES	GREEN	YELLOW	5-6610013-1
NO	GREEN	GREEN	1-6610013-1
DECOUPLING CAPACITOR 4	LED1	LED2	PART NUMBER

THIS DRAWING IS A CONTROLLED DOCUMENT.

DIMENSIONS: INCHES	TOLERANCES UNLESS OTHERWISE SPECIFIED:	0 PLC ± -	1 PLC ± -	2 PLC ± .010	3 PLC ± .005	4 PLC ± -	ANGLES ± -	FINISH 1
--------------------	--	-----------	-----------	--------------	--------------	-----------	------------	----------

DWN	L VARELA - 15MAR2005	15MAR2005	15MAR2005	15MAR2005	15MAR2005
CHK	D FAROLE - 15MAR2005	15MAR2005	15MAR2005	15MAR2005	15MAR2005
APP'D	D FAROLE	15MAR2005	15MAR2005	15MAR2005	15MAR2005
NAME	Tyco Electronics Corporation Harrisburg, PA 17105-3608				
PRODUCT SPEC	1X4 MAG45(TM) MODULAR JACK, 7N2 SCHEMATIC, 14 SERIES CIRCUIT, SHIELDED, WITH RESISTOR LEADS				
APPLICATION SPEC	108-2100				
SIZE	CAGE CODE	DRAWING NO	RESTRICTED TO		
—	—	A1 00779	©=6610013		
WEIGHT	—	—	—	—	—
CUSTOMER DRAWING		SCALE 4:1	SHEET 1 OF 2	REV A	

714 SERIES MAGNETIC CIRCUIT



SUGGESTED PCB LAYOUT

THIS DRAWING IS A CONTROLLED DOCUMENT.		DWN L. VARELA - 15MAR2005	 Tyco Electronics Corporation Harrisburg, PA 17105-3608
DIMENSIONS: INCHES		CHK D. FAROLE - 15MAR2005	
TOLERANCES UNLESS OTHERWISE SPECIFIED:		APP'D D. FAROLE - 15MAR2005	NAME
0. PLC	± -	PRODUCT SPEC	1X4 MAG45(TM) MODULAR JACK,
1. PLC	± -	APPLICATION SPEC	7N2 SCHEMATIC, 14 SERIES CIRCUIT, SHIELDED,
2. PLC	± .010	SIZE	108-2100
3. PLC	± .005	CAGE CODE	6610013
4. PLC	± -	DRAWING NO	00779
ANGLES	± -	RESTRICTED TO	
MATERIAL		WEIGHT	
FINISH		CUSTOMER DRAWING	