



Main

| | |
|---------------------------|---------------------|
| Range of Product | Altivar |
| Product or Component Type | Power module |
| Device short name | ATVR |
| Device Application | Energy regeneration |

Complementary

| | |
|------------------------------------|---|
| Range Compatibility | Altivar Machine ATV340 Altivar Process ATV900 Altivar Machine ATV320 |
| Fixing Mode | By screws |
| [Us] rated supply voltage | 380...500 V - 15...10 % |
| Phase | 3 phase |
| Network Frequency | 45...65 Hz |
| Rated power | 6.8 kW |
| DC bus operating voltage | 456...778 V DC |
| DC bus voltage limits | 300...880 V DC |
| Input power | 6.8 KW 380...500 V AC voltage inputs continuous) 10.2 kW 380...500 V AC voltage inputs transient for 60 s) |
| Input current | 16.5 A 380 V AC voltage inputs continuous) 14.5 A 500 V AC voltage inputs continuous) 22.9 A 380 V AC voltage inputs transient for 60 s) 19.1 A 500 V AC voltage inputs transient for 60 s) |
| Output Current | 13.4 A 380 V AC continuous) 11.9 A 500 V AC continuous) 18.4 A 380 V AC transient for 60 s) 15.4 A 500 V AC transient for 60 s) |
| Electrical connection | Control removable screw terminal block 0.5...1.5 mm ² , AWG 20...AWG 16 bottom) Power supply removable screw terminal block 2.5...4 mm ² , AWG 12...AWG 10 top) DC bus removable screw terminal block 2.5...4 mm ² , AWG 12...AWG 10 bottom) |
| Maximum voltage drop at rated load | 3 % |
| Operating position | Vertical or horizontal position |
| Height | 13.27 in (337 mm) |
| Width | 3.15 in (80 mm) |
| Depth | 6.89 in (175 mm) |
| Net Weight | 13.23 lb(US) (6 kg) |
| Type of cooling | Fan |

The information provided in this documentation contains general descriptions and/or technical characteristics of the performance of the products contained herein. This documentation is not intended as a substitute for and is not to be used for determining suitability or reliability of these products for specific user applications. It is the duty of any such user or integrator to perform the appropriate and complete risk analysis, evaluation and testing of the products with respect to the relevant specific application or use thereof. Neither Schneider Electric Industries SAS nor any of its affiliates or subsidiaries shall be responsible or liable for misuse of the information contained herein.

Environment

| | |
|---------------------------------------|---|
| Environmental characteristic | Chemical pollution resistance class 3C3 EN/IEC 60721-3-3 Dust pollution resistance class 3S2 EN/IEC 60721-3-3 |
| Ambient air temperature for operation | 14...122 °F (-10...50 °C) without derating 122...140 °F (50...60 °C) with derating factor |
| Ambient Air Temperature for Storage | -40...158 °F (-40...70 °C) |
| Operating altitude | <= 3280.84 ft (1000 m) without derating 3280.84...9842.52 ft (1000...3000 m) with power derating 1 % per 100 m |
| Pollution degree | 2 EN/IEC 61800-5-1 |
| IP Degree of Protection | IP20 |
| Standards | IEC 61800-5-1 IEC 61800-3 |
| Product Certifications | cUL |







Ordering and shipping details

| | |
|-----------------------|------------------------|
| GTIN | 3606481144218 |
| Nbr. of units in pkg. | 1 |
| Package weight(Lbs) | 16.56 lb(US) (7.51 kg) |

Packing Units

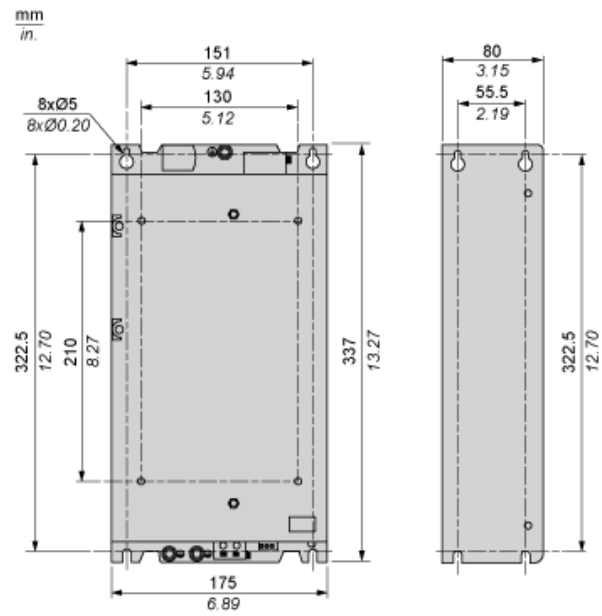
| | |
|------------------------------|--------------------------|
| Unit Type of Package 1 | PCE |
| Package 1 Height | 7.87 in (20 cm) |
| Package 1 width | 10.16 in (25.8 cm) |
| Package 1 Length | 20.28 in (51.5 cm) |
| Unit Type of Package 2 | P06 |
| Number of Units in Package 2 | 6 |
| Package 2 Weight | 128.00 lb(US) (58.06 kg) |
| Package 2 Height | 28.94 in (73.5 cm) |
| Package 2 width | 23.62 in (60 cm) |
| Package 2 Length | 31.50 in (80 cm) |

Offer Sustainability

| | |
|----------------------------|---|
| Sustainable offer status | Green Premium product |
| California proposition 65 | WARNING: This product can expose you to chemicals including: Lead and lead compounds, which is known to the State of California to cause cancer and birth defects or other reproductive harm. For more information go to www.P65Warnings.ca.gov |
| REACH Regulation |  REACH Declaration |
| EU RoHS Directive | Pro-active compliance (Product out of EU RoHS legal scope)  EU RoHS Declaration |
| Mercury free | Yes |
| RoHS exemption information |  Yes |
| China RoHS Regulation |  China RoHS Declaration |
| Environmental Disclosure |  Product Environmental Profile |
| Circularity Profile |  End Of Life Information |
| WEEE | The product must be disposed on European Union markets following specific waste collection and never end up in rubbish bins. |

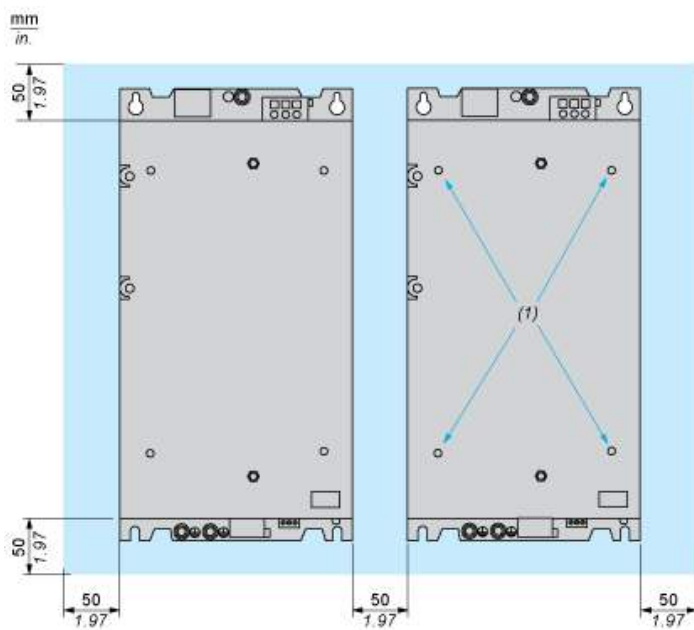
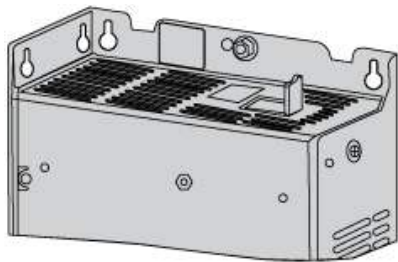
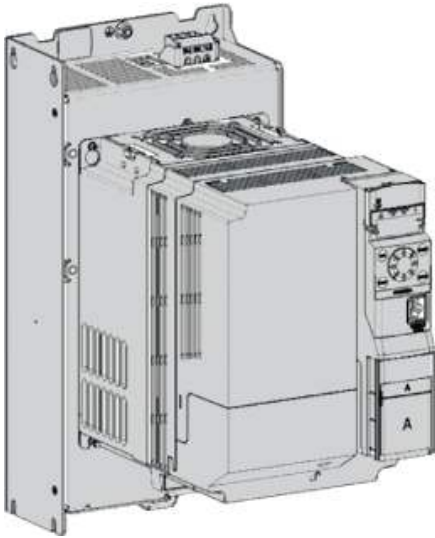
Dimensions

Front and Side Views

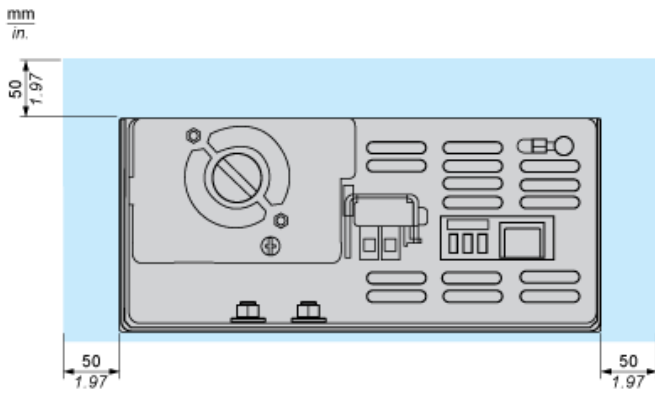


Mounting Recommendations

Vertical Flat Mounting

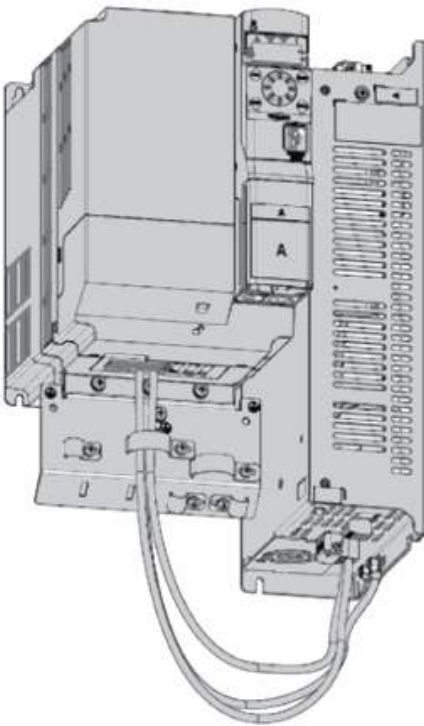


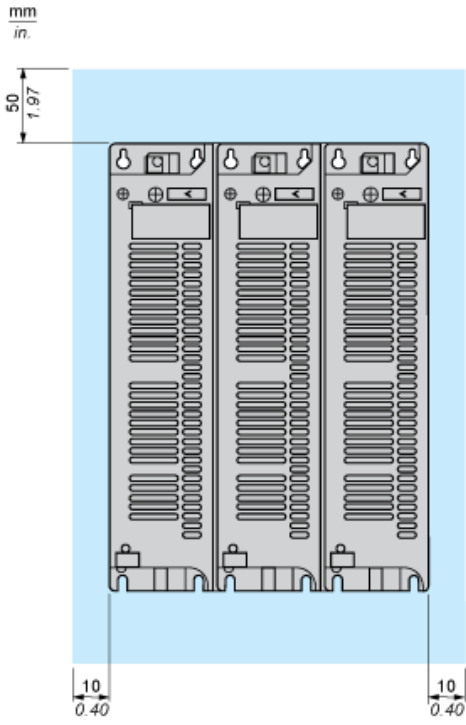
(1) : Fixing holes for ATV320



Mounting Recommendations

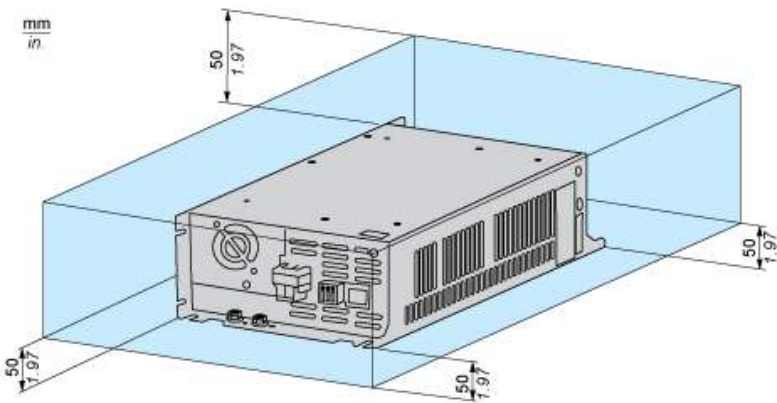
Side by Side Mounting





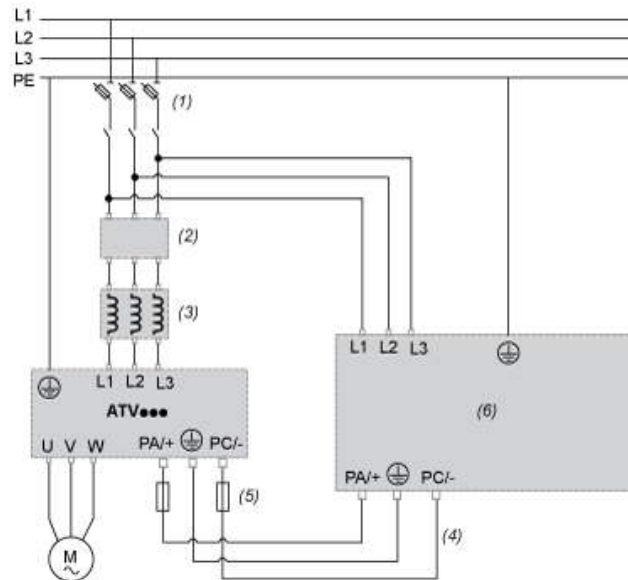
Mounting Recommendations

Horizontal Flat Mounting



Wiring Diagram

Drive and Regenerative Unit



- (1) : AC protection fuses
- (2) : Optional additional EMC input Filter (see drive catalog)
- (3) : Optional AC Choke (see drive catalog)
- (4) : DC bus link
- (5) : DC protection fuses
- (6) : Altivar Regenerative Unit