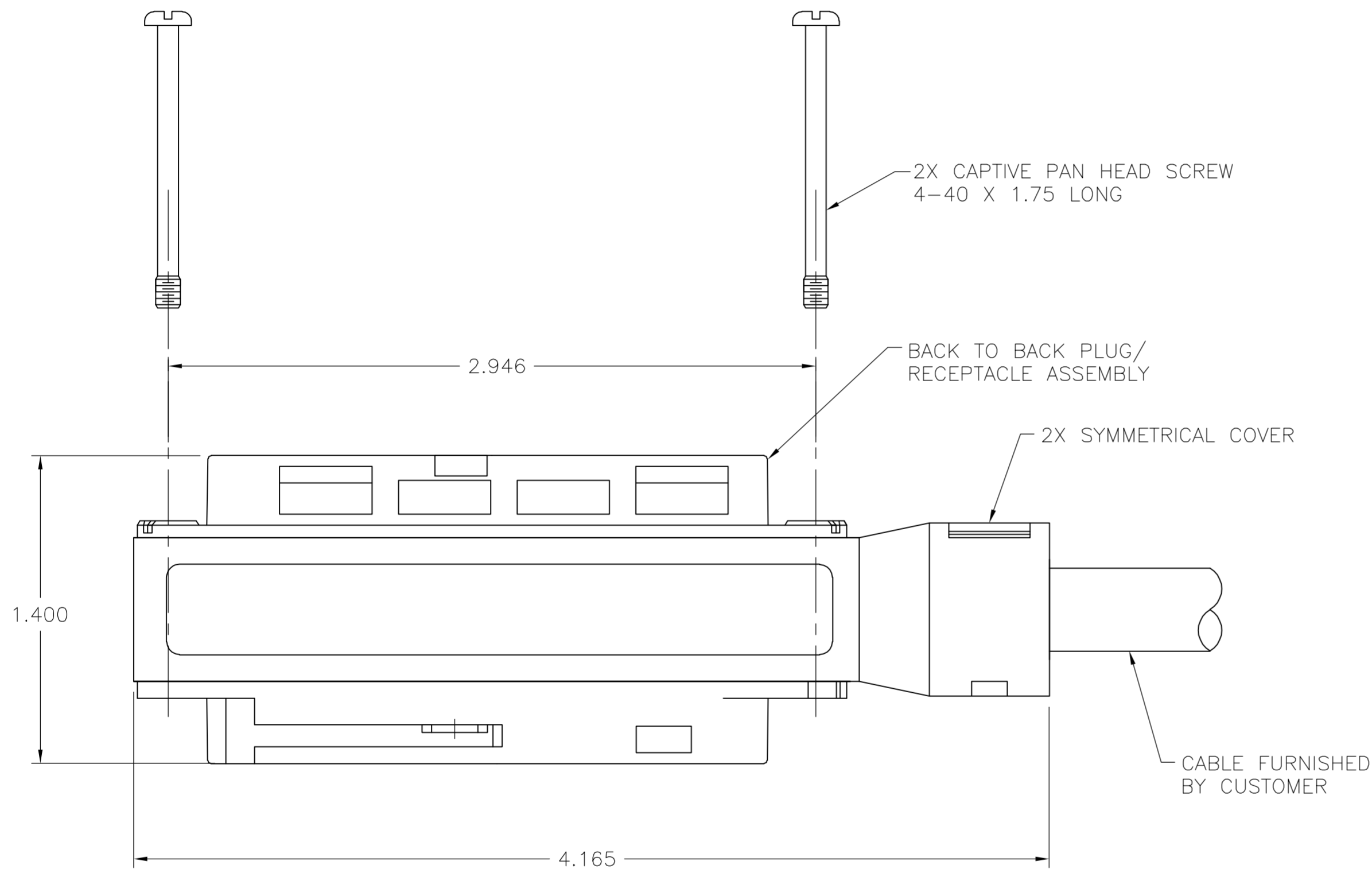


THIS DRAWING IS UNPUBLISHED. RELEASED FOR PUBLICATION  
 © COPYRIGHT BY TYCO ELECTRONICS CORPORATION. ALL RIGHTS RESERVED.

LOC	DIST	REVISIONS					
GP	00	P	LTR	DESCRIPTION	DATE	DWN	APVD
		0		RELEASED PER EC 0513-0288-05	05OCT05	BM	WM

- 1 MATERIAL:  
 HOUSING & COVER: THERMOPLASTIC(BLACK)  
 TERMINALS: GOLD OVER NICKEL PLATED HIGH STRENGTH COPPER ALLOY.  
 HARDWARE: ZINC PLATED STEEL.
- KIT SHOWN ASSEMBLED, HOWEVER, HARDWARE AND COVERS ARE INSTALLED AFTER CABLE IS APPLIED TO CONNECTORS.
  - COVERS AND HARDWARE SHIPPED UNASSEMBLED.
  - WIRE SIZE: 26 AWG SOLID OR 24 AWG. 7 STRANDS OF COPPER CONDUCTORS. MAX INSULATION DIAMETER OF .045 IS ACCEPTABLE FOR MOST APPLICATIONS.
  - CABLE RANGE:  $\phi$ .380-.400
  - PLUG & RECEPTACLE ARE BONDED TOGETHER.
  - THE CONTACT SURFACES OF THE TERMINALS ARE COATED WITH LUBRICANT.
  - ALL DIMENSIONS SHOWN ARE FOR REFERENCE ONLY UNLESS OTHERWISE SPECIFIED.
  - CENTER TO CENTER SPACING OF TERMINALS IS .085.
  - KIT SHIPPED IN POLY BAG FORM.



5553257-1  
 PART NUMBER

THIS DRAWING IS A CONTROLLED DOCUMENT.		DWN B. MCMASTER	05OCT05	<b>tyco</b> Electronics		Tyco Electronics Corporation Harrisburg, PA 17105-3608		
DIMENSIONS: INCHES		CHK W. MILLHIMES	05OCT05					
TOLERANCES UNLESS OTHERWISE SPECIFIED:		APVD W. MILLHIMES	05OCT05	NAME BACK TO BACK KIT, 50 POSITION, B SLOT, CHAMP-LOK, PLUG/ RECEPTACLE, THIN FLANGE				
0 PLC ± - 1 PLC ± - 2 PLC ± - 3 PLC ± - 4 PLC ± - ANGLES ± -		PRODUCT SPEC	APPLICATION SPEC		SIZE	CAGE CODE	DRAWING NO	RESTRICTED TO
MATERIAL		FINISH	WEIGHT	A2 00779 C=5553257		SCALE 2:1 SHEET 1 of 1 REV 0		
1		1		CUSTOMER DRAWING				