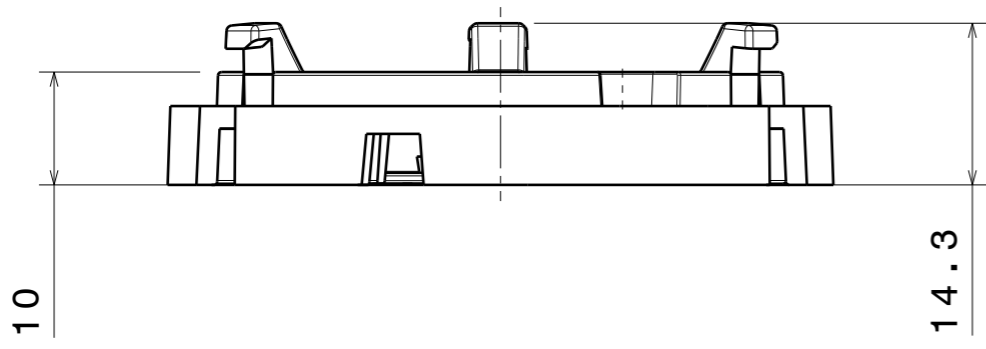


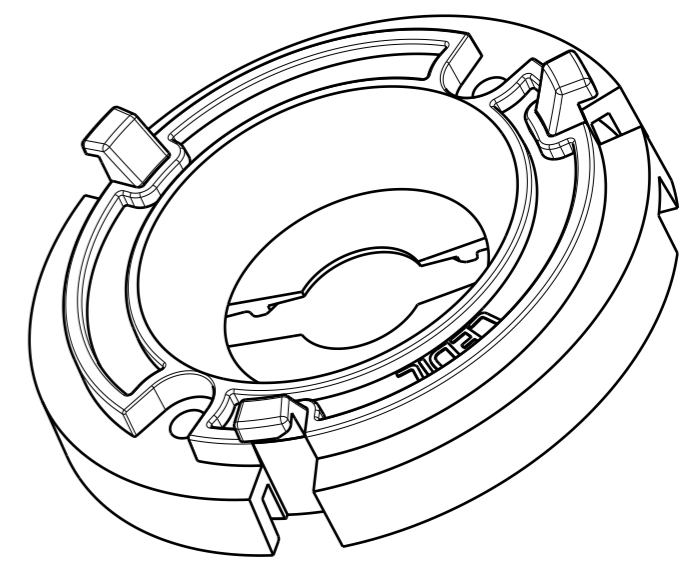
H G F E D C B A

4

4



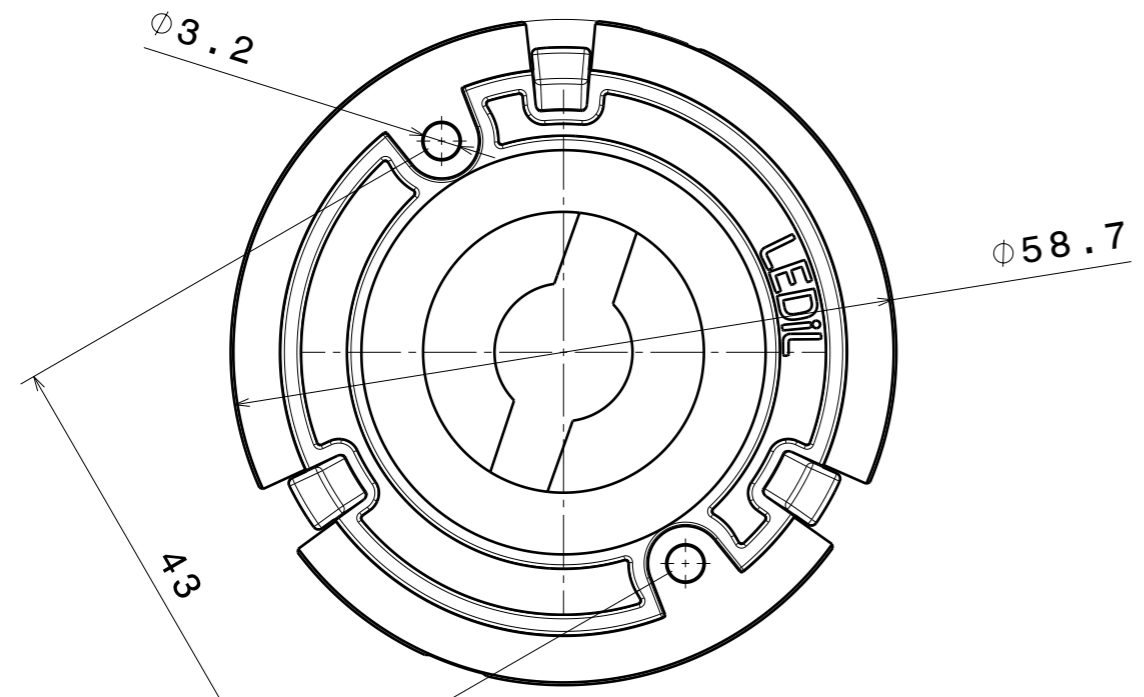
Front view



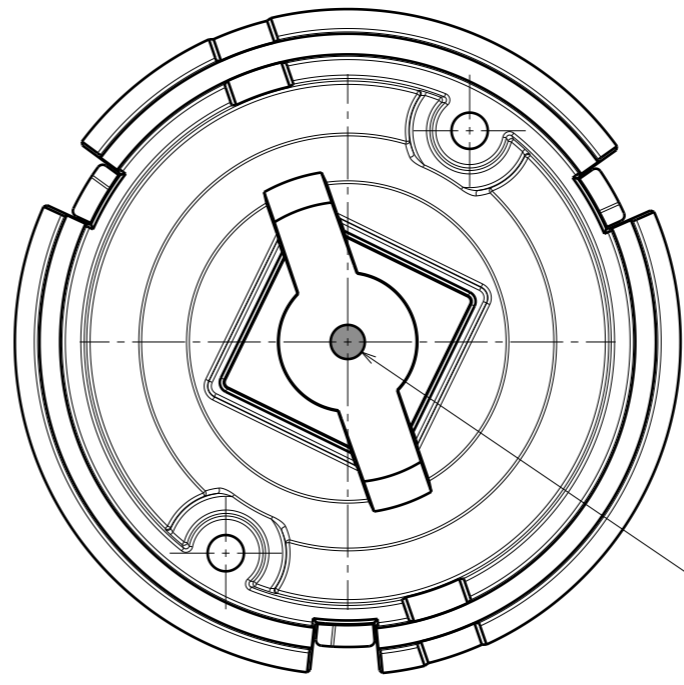
Isometric view

3

3



Top view



Bottom view

LED middle position

2

2

INDEX	PART NO	DESCRIPTION	MATERIAL	COLOUR
1	C13186	LENA-STD-BASE-CXA15	PC	white

Tolerances if not otherwise shown
 According to DIN ISO 2768-1
 Linear measures:
 Up to 30mm class M, otherwise class C.
 According to DIN ISO 2768-2
 Form and position: class L

LEDiL LediL Oy
 Salorankatu 10
 FIN 24240 SALO
 Finland

THIRD ANGLE PROJECTION:

DRAWING TITLE
Dataseet_LENA-STD-BASE-CXA15

This drawing is the property of LEDiL Oy. It may not be reproduced, copied or communicated without a written agreement with LEDiL Oy."

SIZE	PART NUMBER
A3	C13186

SCALE	3:2	WEIGHT	11,30 g	SHEET	1/1
-------	-----	--------	---------	-------	-----

1

1

H G B A