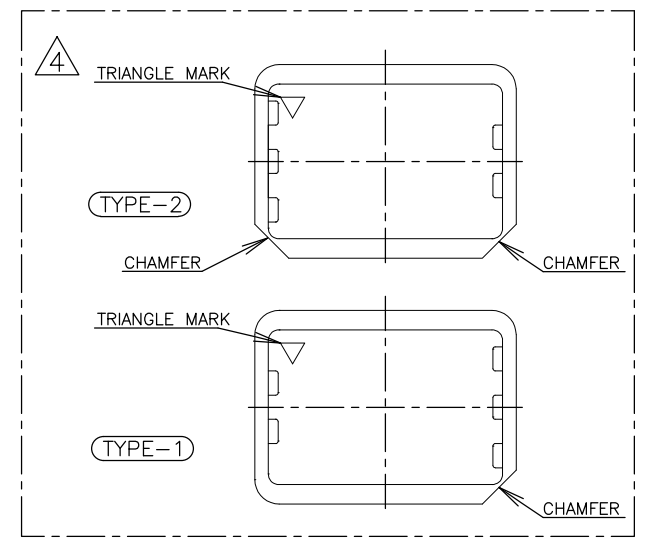
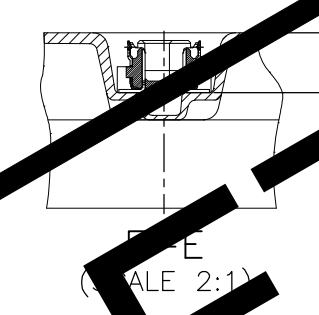
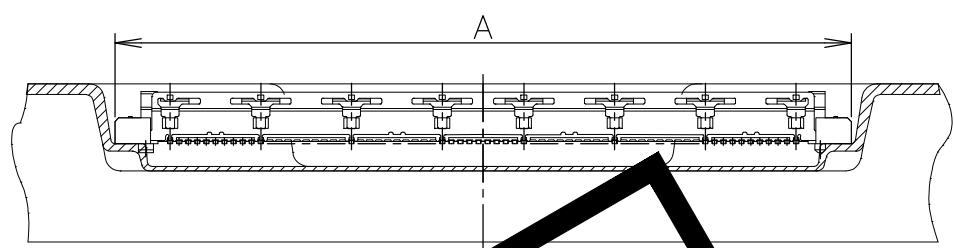
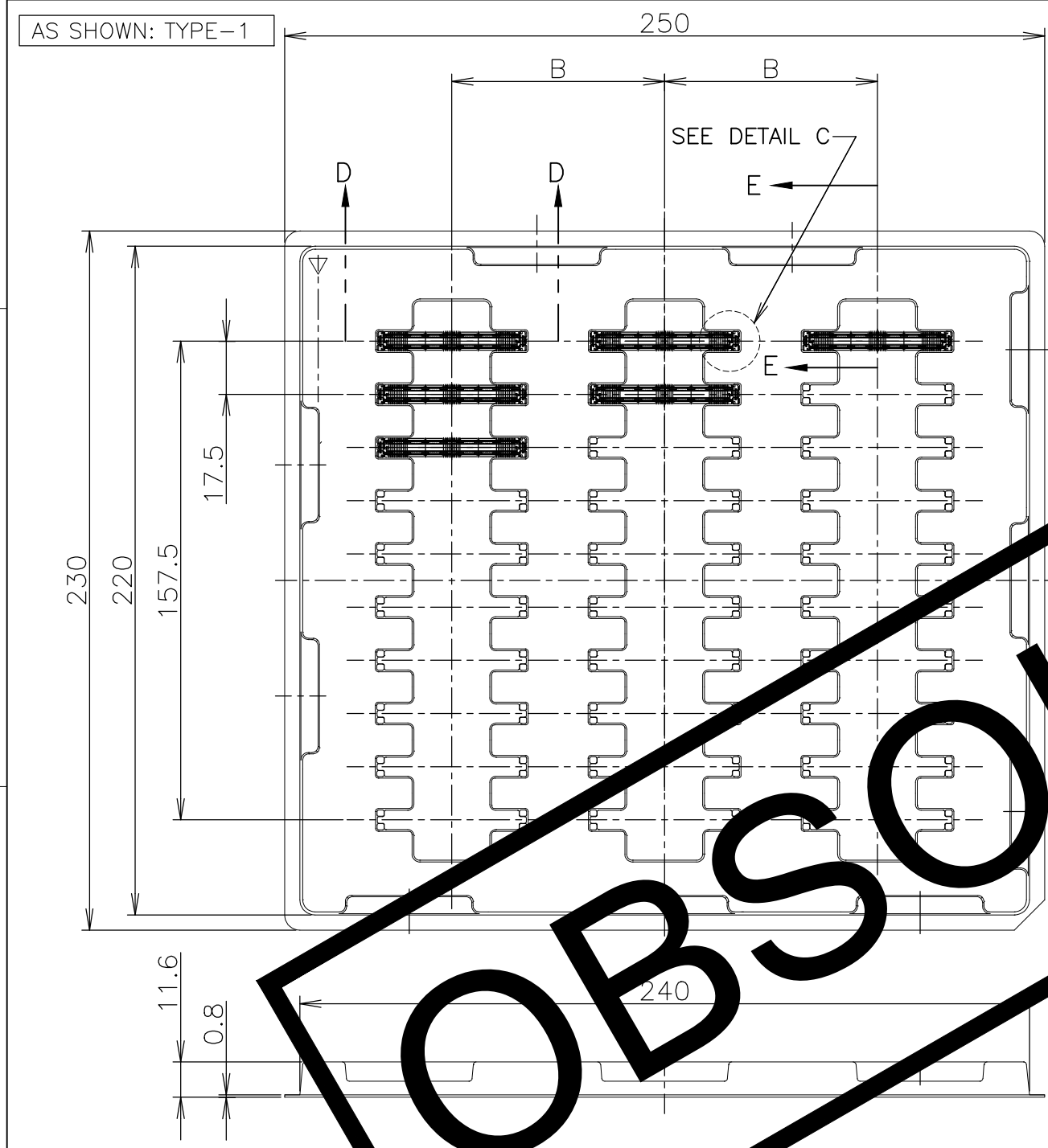


THIS DRAWING IS UNPUBLISHED. RELEASED FOR PUBLICATION MAY, 1995.
 © COPYRIGHT 1995 BY TYCO ELECTRONICS CORPORATION. ALL RIGHTS RESERVED.

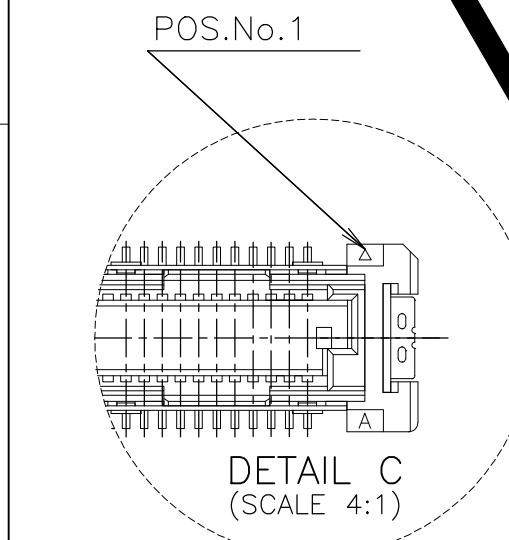
LOC	DIST	REVISIONS					
J		P	LTR	DESCRIPTION	DATE	DWN	APVD
		C		PER REVISED ECO-18-004710	22MAR18	R.L	H.L



OBSOLETE

SEALANT	TOOLING STATUS	ROW	QTY	B	A	POS.	TRAY P/N	PART NO.
AVAILABLE			30	70	54.7	160	912063-9	6-5316076-1
AVAILABLE					48.7	140	912063-8	6-0
NOT AVAILABLE					42.7	120	4-912065-9	5-9
					36.7	100	8-912066-2	5-8
		3	30	70	33.7	90	9-912066-6	5-7
		5	50	43	30.7	80	912067-3	5-6
					27.7	70	912063-1	5-5
NOT AVAILABLE					24.7	60	9-912066-5	5-4
AVAILABLE					21.7	50	9-912062-9	5-3
NOT AVAILABLE					18.7	40	9-912066-4	5-2
NOT AVAILABLE		5	50	43	15.7	30	9-912066-3	5-5316076-1
AVAILABLE		3	30	70	54.7	160	912063-9	1-5316076-1
AVAILABLE					48.7	140	912063-8	1-0
NOT AVAILABLE					42.7	120	4-912065-9	9
					36.7	100	8-912066-2	8
		3	30	70	33.7	90	9-912066-6	7
		5	50	43	30.7	80	912067-3	6
					27.7	70	912063-1	5
NOT AVAILABLE					24.7	60	9-912066-5	4
AVAILABLE					21.7	50	9-912062-9	3
NOT AVAILABLE					18.7	40	9-912066-4	2
NOT AVAILABLE		5	50	43	15.7	30	9-912066-3	5316076-1

OBS



4 TRIANGLE MARK TYPE-1 AND TYPE-2 MUST BE PAILED UP BY TURNS. (REFER TO PACKING SPECIFICATIONS)

GENERAL TOLERANCE
 一般公差
 10 : ±0.2
 30 ≥ 10 : ±0.25
 100 ≥ 30 : ±0.3
 ANGLES : ±3°

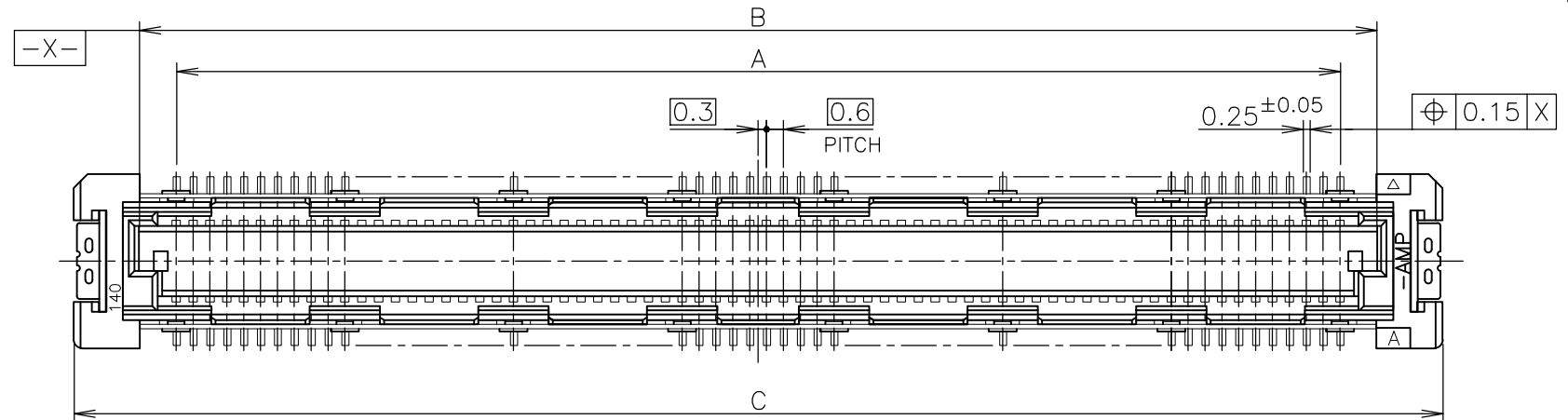
THIS DRAWING IS A CONTROLLED DOCUMENT.

DIMENSIONS: MM	TOLERANCES UNLESS OTHERWISE SPECIFIED:
	0 PLC ± -
	1 PLC ± -
	2 PLC ± -
	3 PLC ± -
	4 PLC ± -
	ANGLES ± -
MATERIAL	FINISH

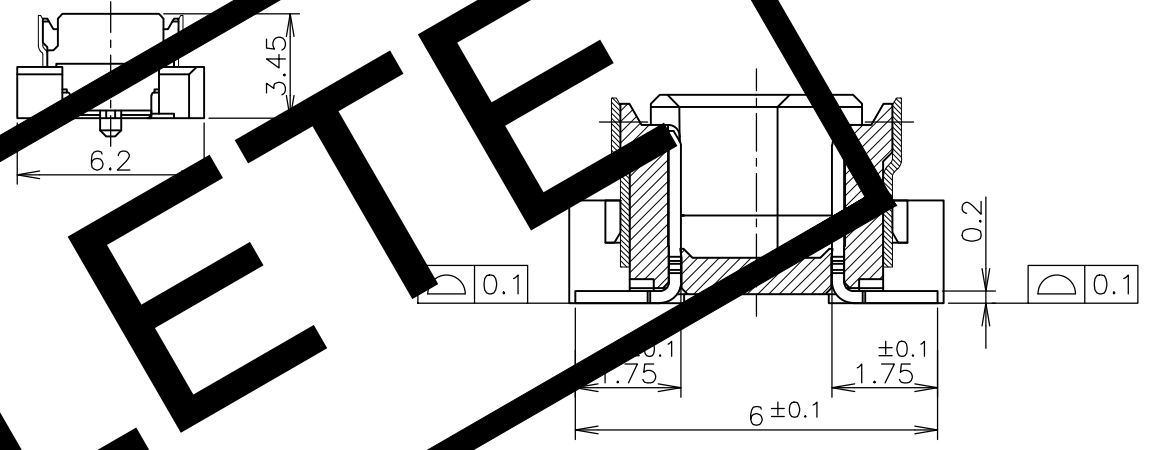
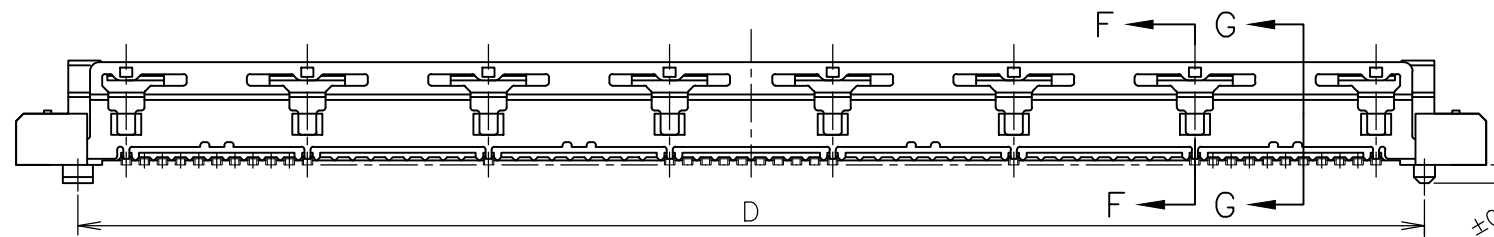
DWN HAWKING HE 21DEC04	Tyco Electronics Corporation Kawasaki, Japan
CHK STEVEN YAO 21DEC04	
APVD I.ENOMOTO 21DEC04	
NAME	
PRODUCT SPEC	TRAY ASSY
APPLICATION SPEC	FH 0.6BTB CONNECTOR
108-60047	PLUG 4H W/G-CONT
114-5255	RESTRICTED TO
WEIGHT	SIZE A3
CUSTOMER DRAWING	CAGE CODE 00779
	DRAWING NO G-5316076
	SCALE 1:2
	SHEET 1 OF 3
	REV C

THIS DRAWING IS UNPUBLISHED. RELEASED FOR PUBLICATION MAY, 1995.
 © COPYRIGHT 1995 BY TYCO ELECTRONICS CORPORATION. ALL RIGHTS RESERVED.

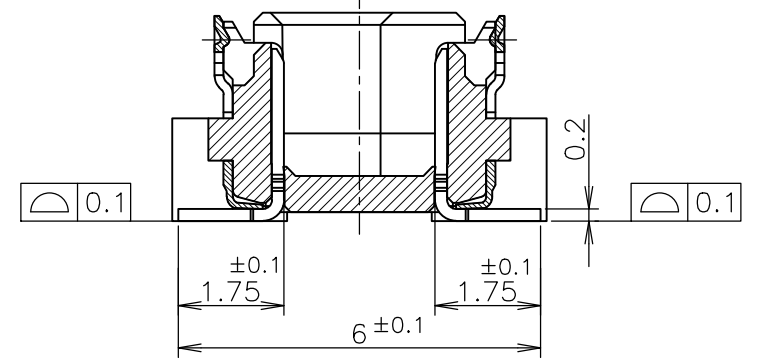
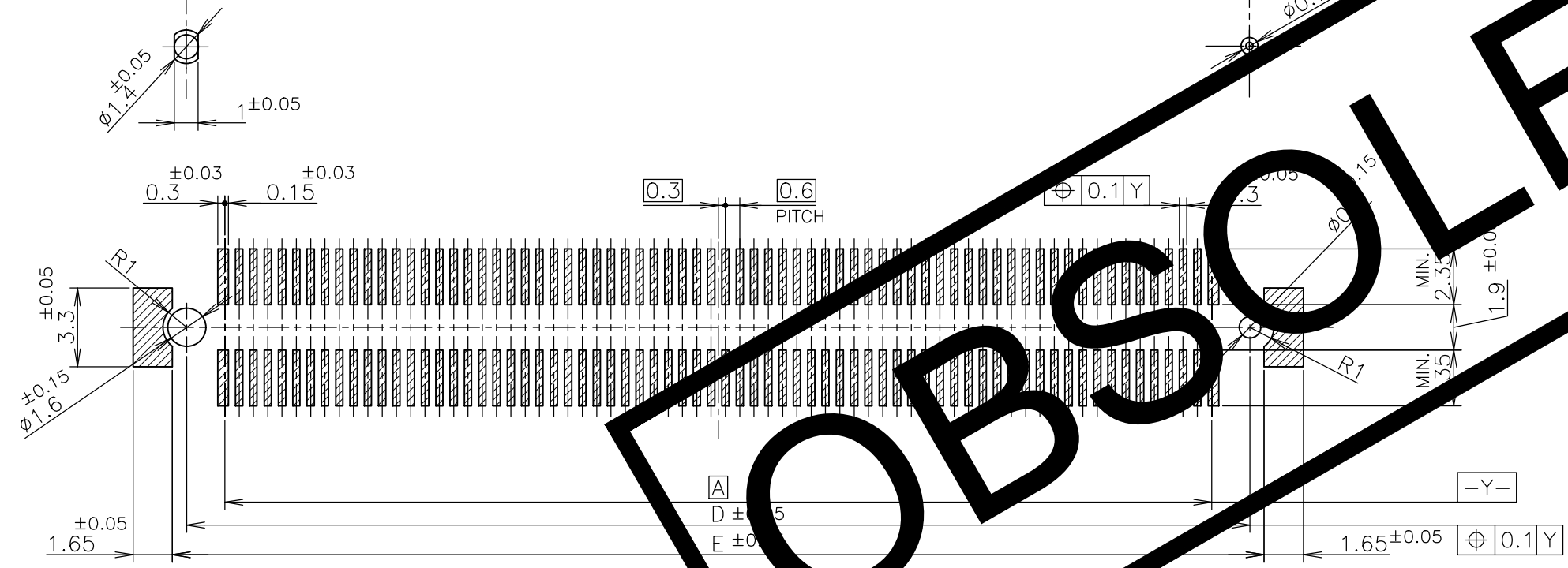
LOC	DIST	REVISIONS					
J		P	LTR	DESCRIPTION	DATE	DWN	APVD
		-		SEE SHEET 1	-	-	-



- ⚠ MATERIAL ; HOUSING : HIGH TEMP THERMO PLASTIC UL94V-0
- CONTACT : COPPER ALLOY
- ⚠ FINISH ; UNDER PL Ni 0.0013mm MIN ALL OVER.
- CONTACT AREA 0.0002 MIN Au PL.
- SOLDERING AREA 0.001 MIN TIN PL.
- ⚠ THIS POSITION IS GROUND CIRCUIT.



G-G
(SIGNAL POSITION)
(SCALE 8:1)



F-F
(GROUND POSITION)
(SCALE 8:1)

REFERENCE P BOARD L

OBSOLETE

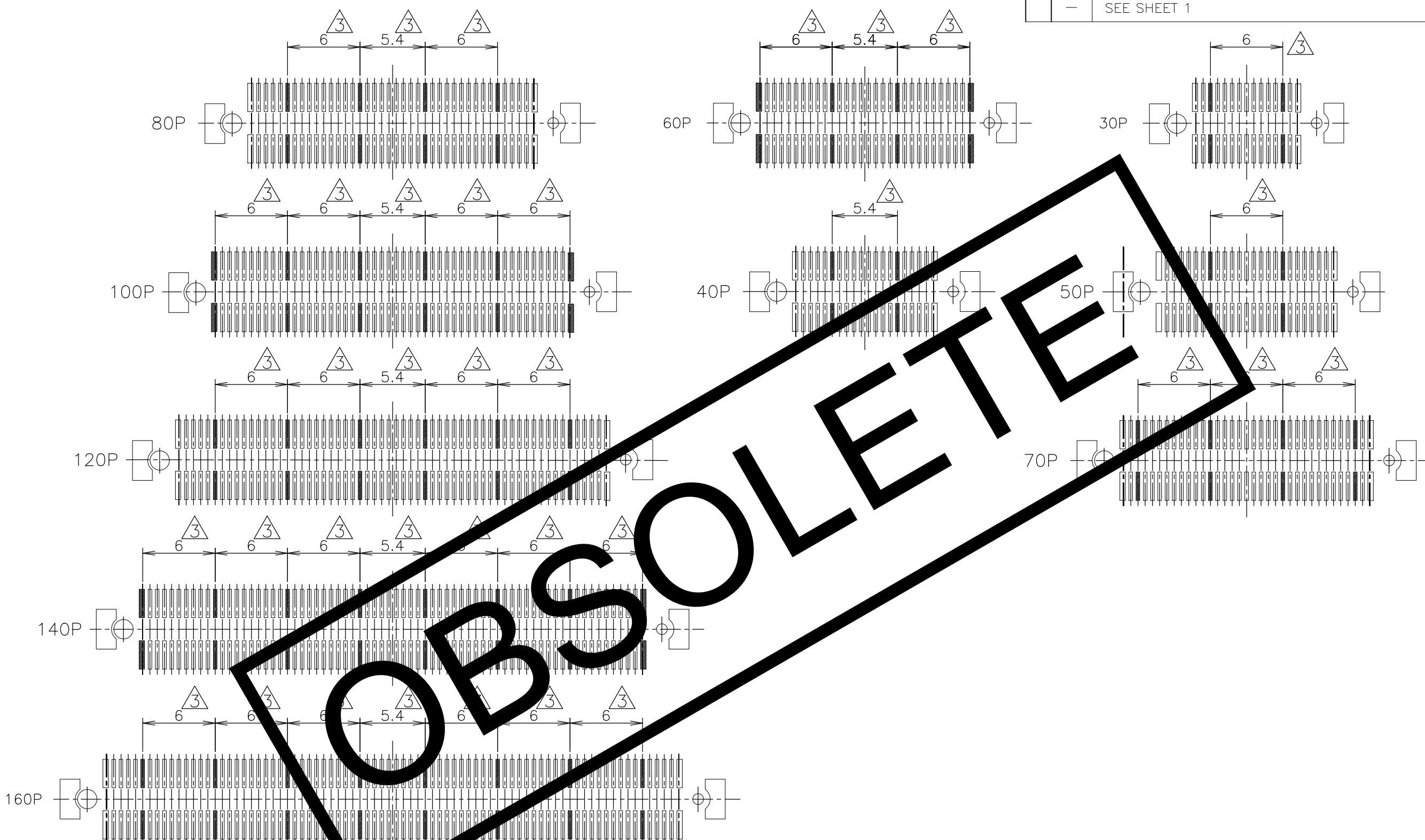
AVAILABLE	51.8	50.6	54.7	50	47.4	160
AVAILABLE	45.8	44.6	48.7	44	41.4	140
NOT AVAILABLE	39.8	38.6	42.7	38	35.4	120
AVAILABLE	33.8	32.6	36.7	32	29.4	100
NOT AVAILABLE	30.8	29.6	33.7	29	26.4	90
NOT AVAILABLE	27.8	26.6	30.7	26	23.4	80
AVAILABLE	24.8	23.6	27.7	23	20.4	70
↑	21.8	20.6	24.7	20	17.4	60
AVAILABLE	18.8	17.6	21.7	17	14.4	50
NOT AVAILABLE	15.8	14.6	18.7	14	11.4	40
NOT AVAILABLE	12.8	11.6	15.7	11	8.4	30
TOOLING STATUS	E	D	C	B	A	POS

THIS DRAWING IS A CONTROLLED DOCUMENT.

DIMENSIONS: MM	TOLERANCES UNLESS OTHERWISE SPECIFIED:	DWN	Tyco Electronics Corporation Kawasaki, Japan			
	0 PLC ± 0.3	CHK	NAME			
	1 PLC ± 0.3	APVD				
	2 PLC ± 0.3	PRODUCT SPEC	TRAY ASSY FH 0.6BTB CONNECTOR PLUG 4H W/G-CONT			
	3 PLC ± 0.3	APPLICATION SPEC				
	4 PLC ± 0.3	WEIGHT	SIZE	CAGE CODE	DRAWING NO	RESTRICTED TO
	ANGLES ± 3'	CUSTOMER DRAWING	A3	00779	G-5316076	
MATERIAL	FINISH	SCALE	SHEET 2 OF 3		REV C	
⚠	⚠	4:1				

THIS DRAWING IS UNPUBLISHED. RELEASED FOR PUBLICATION MAY, 1995.
 © COPYRIGHT 1995 BY TYCO ELECTRONICS CORPORATION. ALL RIGHTS RESERVED.

LOC	DIST	REVISIONS					
J		P	LTR	DESCRIPTION	DATE	DWN	APVD
		-		SEE SHEET 1	-	-	-



THIS DRAWING IS A CONTROLLED DOCUMENT.		DWN	Tyco Electronics		Tyco Electronics Corporation	
DIMENSIONS: MM		CHK	Kawasaki.Japan		NAME	
TOLERANCES UNLESS OTHERWISE SPECIFIED:		APVD	TRAY ASSY		FH 0.6BTB CONNECTOR	
0 PLC ± 0.3		PRODUCT SPEC	PLUG 4H W/G-CONT		RESTRICTED TO	
1 PLC ± 0.3		APPLICATION SPEC	SIZE	CAGE CODE	DRAWING NO	
2 PLC ± 0.3		WEIGHT	A3	00779	C-5316076	
3 PLC ± 0.3		CUSTOMER DRAWING	SCALE 3:1		SHEET 3 OF 3	
4 PLC ± 0.3					REV C	
ANGLES ± 3'						
MATERIAL						
FINISH						