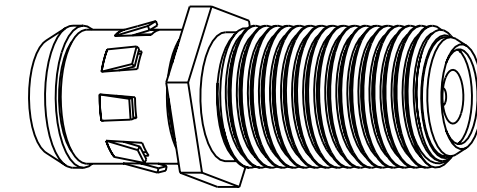


NOTES:

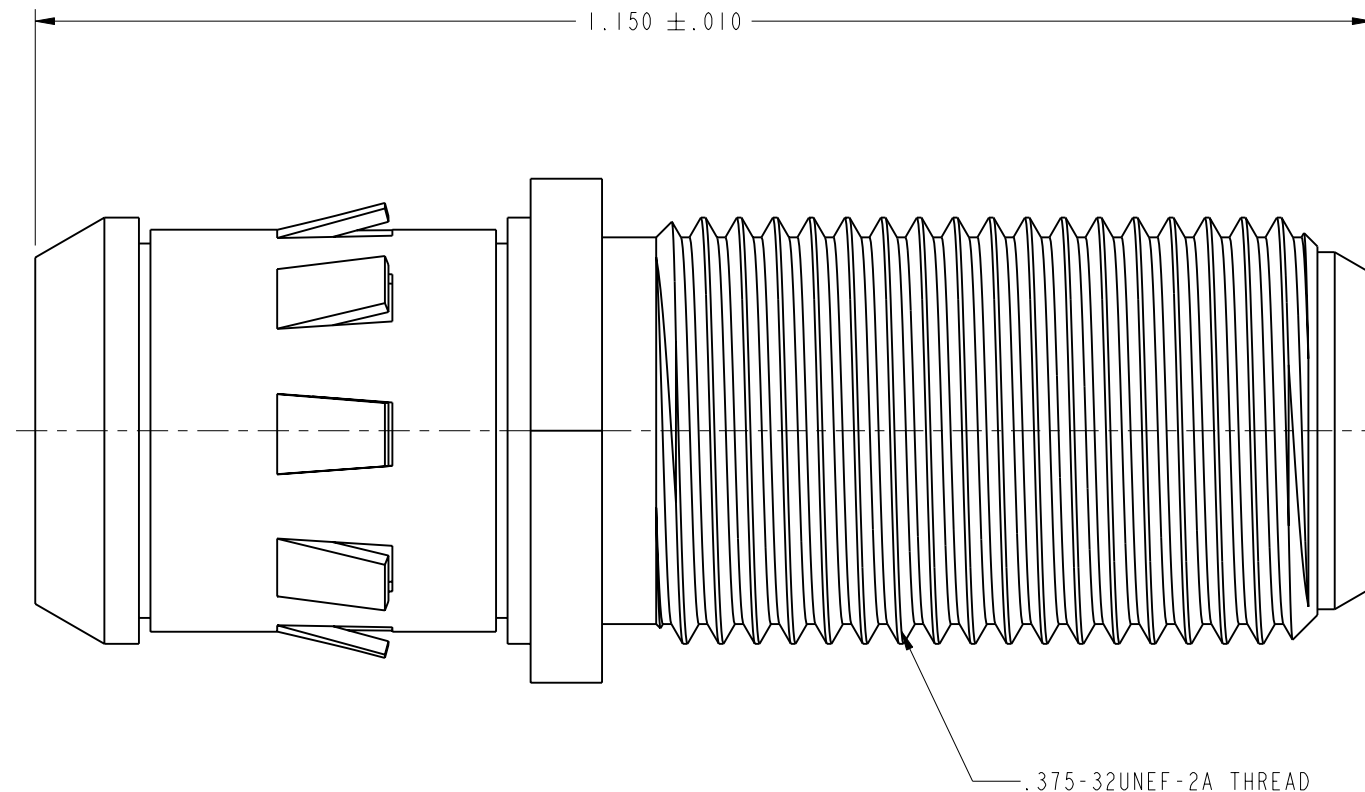
1. MATERIALS AND FINISHES:  
 BODY - BRASS (ASTM-B16 H02, C36000), BRIGHT ACID TIN PLATING (.000200 MIN THICK) OVER NICKEL (.000080 MIN THICK)  
 CONTACT - PHOSPHOR BRONZE, BRIGHT ACID TIN PLATING (.000200 MIN THICK) OVER NICKEL (.000080 MIN THICK)  
 CLIP - BeCu (QQ-C-530), BRIGHT ACID TIN PLATING (.000200 MIN THICK) OVER NICKEL (.000080 MIN THICK)  
 INSULATOR - PTFE PER ASTM D 1710 OR EQUIV.

2. PACKAGING:  
 A. QUANTITY: BULKPACK 50 PER BAG  
 B. MARKING: BAG TO BE MARKED  
 "AMPHENOL, 531-40009, AND DATE CODE"

531-40009		REVISIONS			
DRAWING NO.	REV	DESCRIPTION	DATE	ECO	APPR
THIRD ANGLE PROJ.	--	RELEASE TO MFG.	----	----	----
	E	ADD SHEET 2	4/3/06	45933	CPM



SCALE 2.000



**CUSTOMER OUTLINE DRAWING**

ALL OTHER SHEETS ARE FOR INTERNAL USE ONLY

UNLESS OTHERWISE SPECIFIED, DIMENSIONS ARE IN INCHES AND TOLERANCES ARE: 2 PLACE DECIMAL      3 PLACE DECIMAL      ANGLES ±.015 (0,381 mm)      ±.005 (0,127 mm)      ± 1°	MATERIAL	DRAWN C. McGRATH	DATE 03-Apr-06	TITLE F SPLICE G FEMALE - F FEMALE	<b>Amphenol RF</b> Danbury, CT, USA Tainan, Taiwan Shenzhen, China <a href="http://www.amphenolrf.com">www.amphenolrf.com</a>
	REFERENCE	ENGINEER O. BARTHELMES	DATE 03-Apr-06		
NOTICE - These drawings, specifications, or other data (1) are, and remain the property of Amphenol Corp. (2) must be returned upon request; and (3) are confidential and not to be disclosed to any person other than those to whom they are given by Amphenol Corp. The furnishing of these drawings, specifications, or other data by Amphenol Corp., or to any other person to anyone for any purpose is not to be regarded by implication or otherwise in any manner licensing, granting rights or permitting such holder or any other person to manufacture, use or sell any product, process or design, patented or otherwise, that may in any way be related to or disclosed by said drawings, specifications, or other data.		APPROVED O. BARTHELMES	DATE 4/3/06	SCALE: 6.0:1	SHEET 2 OF 2
		CAD FILE I:\CATV\FTYPE\531-40009	CODE ID 74868	DWG SIZE B	DRAWING NO. 531-40009