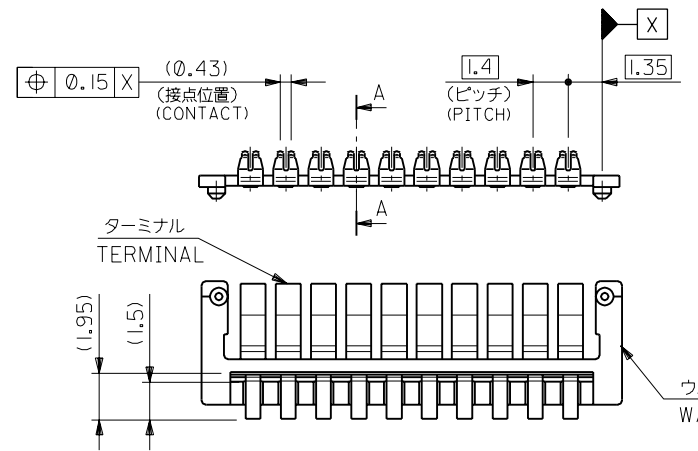


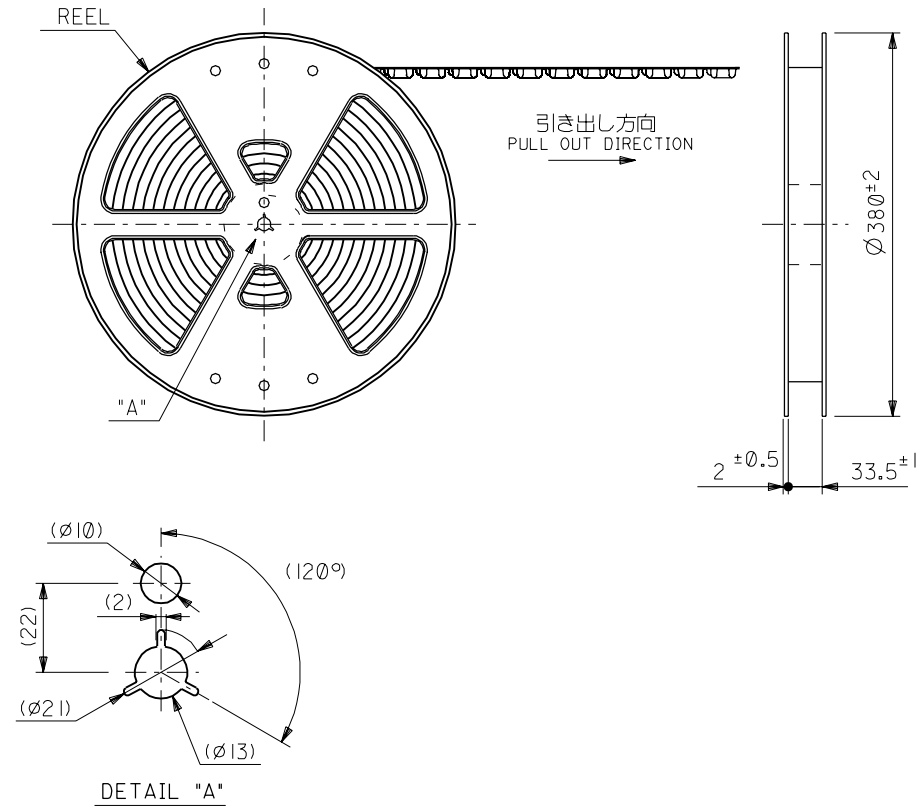
注記 NOTES

- 材質 MATERIAL
ウエハー：液晶ポリマー (LCP) ガラス充填、黒色、UL94V-0
WAFFER : LIQUID CRYSTAL POLYMER (LCP) GLASS FILLED COLOR BLACK, UL94V-0
ターミナル：リン青銅 (t=0.08)
TERMINAL : PHOSPHOR BRONZE (t=0.08)
 - メッキ仕様 PLATING
金メッキ：0.45マイクロメートル以上 (コンタクト部)
GOLD : 0.45 MICROMETER MINIMUM.(CONTACT AREA)
ニッケルメッキ (下地)：1マイクロメートル以上
NICKEL (UNDER PLATING) : 1 MICROMETER MINIMUM.
 - テールの平坦度は0.1MAX.
TAIL COPLANARITY 0.1MAX.
- △ 公差非累積のこと。
NON-ACCUMULATIVE



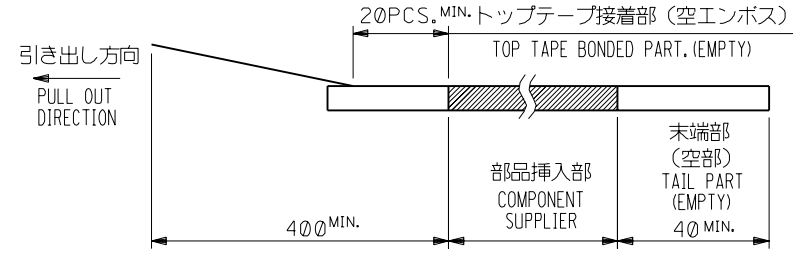
DO NOT SCALE DRAWING

EC NO. DRWN: CH'K: APPR:		EC NO. DRWN: CH'K: APPR:		EC NO. DRWN: CH'K: APPR:		EC NO. DRWN: CH'K: APPR:		RELEASED 01/04/25 EC NO. JC2001-0563 DRWN: M.HAYASHI CH'K: T.ITO APPR: T.YAMAGUCHI		MATERIAL 材料 注記参照 SEE NOTES		GENERAL TOLERANCES: (UNLESS SPECIFIED) 一般公差 10 UNDER 未満 ±0.2 10 OVER 30 UNDER 未満 ±0.25 30 OVER 以上 ±0.3		SCALE 1/1 DESIGN UNITS <input checked="" type="checkbox"/> mm <input type="checkbox"/> INCH THIRD ANGLE PROJECTION <input checked="" type="checkbox"/> THIRD ANGLE <input type="checkbox"/> FIRST ANGLE		MODEL NO. 54873-***11 DIMENSIONS: <input type="checkbox"/> mm <input type="checkbox"/> INCH <input checked="" type="checkbox"/> mm ONLY		MATERIAL NO. 54873-1011 CKT. NO. 10		SHT. REV. REVISIONS CAD ONLY	
EC NO. DRWN: CH'K: APPR:		EC NO. DRWN: CH'K: APPR:		EC NO. DRWN: CH'K: APPR:		EC NO. DRWN: CH'K: APPR:		WIRE RANGE 適用電線範囲 //		FINISH 仕上げ 注記参照 SEE NOTES		DRAWN BY & DATE M.HAYASHI 01/04/25 CHECKED BY & DATE T.ITO 01/04/25 APPROVED BY & DATE T.YAMAGUCHI 01/04/25		TITLE: 1.4mm LCD Conn Rec Assy (Hgt=0.45)		MOLEX MOLEX INCORPORATED		CAD FILENAME 54873007.S01 MATERIAL NO. SEE CHART DRAWING NO. SD-54873-007 SHEET NO. 1			
REV		INS. RANGE 被覆外径 //		ANGLE 角度 ±3°		THIS DRAWING CONTAINS INFORMATION THAT IS PROPRIETARY TO MOLEX INCORPORATED AND SHOULD NOT BE USED WITHOUT WRITTEN PERMISSION.		SIZE B		EN-02J(097) MXJ-54		A		54873007.S01							

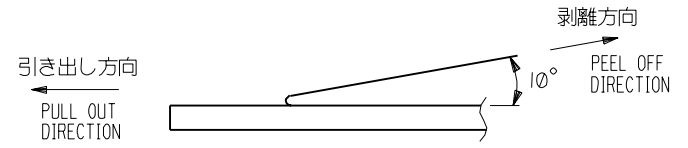


NOTES

- 製品詳細寸法については図面 SD-54873-007 を参照下さい。
RE DETAILED DIMENSION, SEE SD-54873-007
- 梱包数量：4000個/リール
NUMBER OF CONNECTORS : 4000PCS/REEL
- リードテープ長さ LEAD TAPE LENGTH



- トップテープの剥離強度：0.1N ~ 0.7N(10.2gf ~ 71.4gf)
(剥離方向は下図参照)
尚、本規格値は出荷時に適用。(但し、輸送時に剥離が発生しないこと。)
PEELING OFF FORCE OF TOP TAPE : 0.1N ~ 0.7N(10.2gf ~ 71.4gf)
(PEELING DIRECTION AS SHOWN IN FOLLOWING FIG.)
THIS REQUIREMENT SHOULD BE APPLIED AT SHIPMENT.
PEEL OFF SHOULD NOT BE ALLOWED , DURING TRANSPORTATION.



- 材料(MATERIAL)
キャリアテープ(CARRIER TAPE)：ポリプロピレン(POLYPROPYLENE)
トップテープ(TOPTAPE)：PET, PE, PEF
リール(REEL)：ポリスチレン(PS) <リサイクル材を含む>
POLYSTYRENE (PS) <RECYCLE MATERIAL CONTAINED>

54873-1090	10
MATERIAL NO.	CKT. NO.

EC NO. DRAWN: CHK'g APPR:	EC NO. DRAWN: CHK'g APPR:	EC NO. DRAWN: CHK'g APPR:	EC NO. DRAWN: CHK'g APPR:	EC NO. DRAWN: CHK'g APPR:	RELEASD 01/04/25 EC NO. JC2001-0563 DRAWN: M.HAYASHI CHK'g: T.ITO APPR: YAMAGUCHI	MATERIAL 材料	注記参照 SEE NOTES	GENERAL TOLERANCES: (UNLESS SPECIFIED) 一般公差	SCALE	DESIGN UNITS <input checked="" type="checkbox"/> mm <input type="checkbox"/> INCH	THIRD ANGLE PROJECTION	DIMENSIONS: <input type="checkbox"/> mm <input type="checkbox"/> INCH <input checked="" type="checkbox"/> mm ONLY	SHT	REV
						FINISH 仕上げ	注記参照 SEE NOTES	10 UNDER 未満	±0.2	DRAWN BY & DATE M.HAYASHI 01/04/25	TITLE: 1.4 LCD Conn Rec (Hgt=0.45) Embstp Pkg			
						WIRE RANGE 適用電線範囲	//	10 OVER 30 UNDER 以上 未満	±0.25	CHECKED BY & DATE T.ITO 01/04/25	APPROVED BY & DATE T.YAMAGUCHI 01/04/25	MATERIAL NO. SEE CHART	DRAWING NO. SD-54873-008	SHEET NO. 1 OF 2
						ANGLE 角度	±3°	30 OVER 以上	±0.3	CAD FILENAME 54873008.S01	MATERIAL NO. SEE CHART	DRAWING NO. SD-54873-008	SHEET NO. 1 OF 2	
INS. RANGE 被覆外径	//			THIS DRAWING CONTAINS INFORMATION THAT IS PROPRIETARY TO MOLEX INCORPORATED AND SHOULD NOT BE USED WITHOUT WRITTEN PERMISSION.				SIZE B						

DWG. NO.
SD-54873-008

F

D

V

C

B

DO NOT SCALE DRAWING

8 7 6 5 4 3 2 1

F

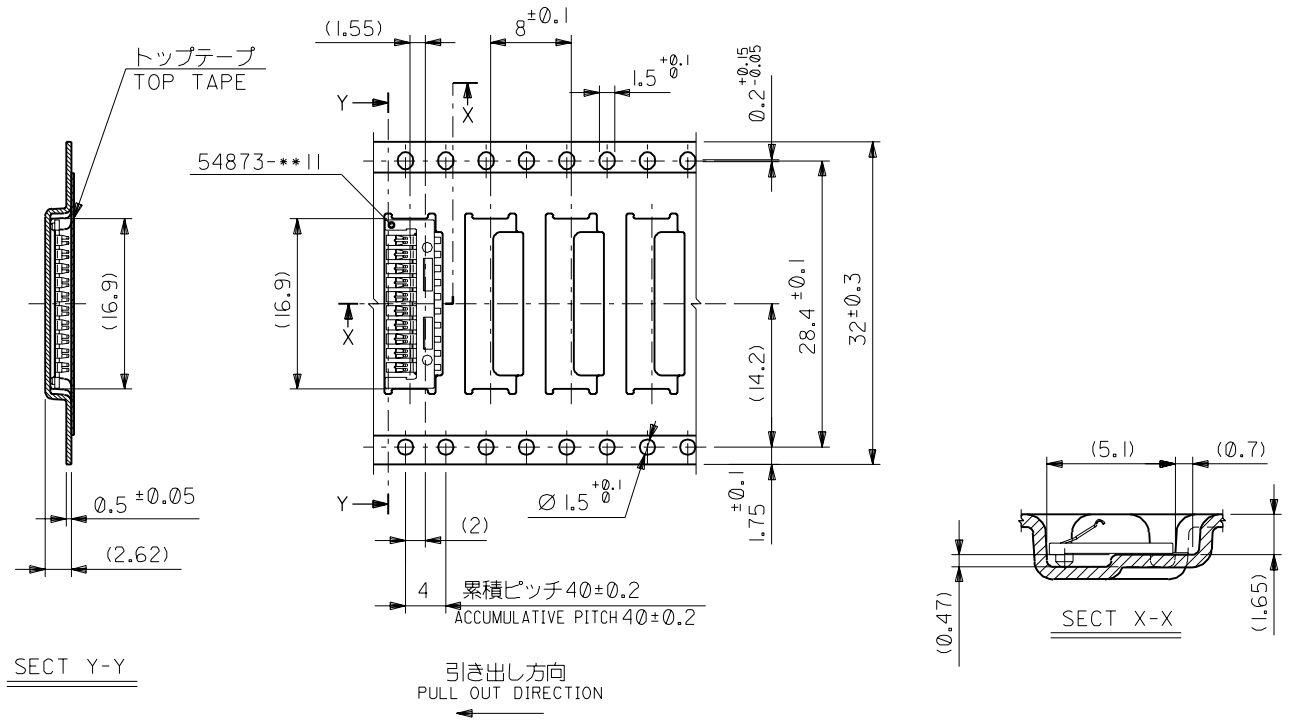
E

D

C

B

A



54873-1090	10
MATERIAL NO.	CKT. NO.

MODEL NO.	54873-***90	DIMENSIONS:	<input type="checkbox"/> mm <input type="checkbox"/> INCH <input checked="" type="checkbox"/> mm ONLY	SHT	REV
SCALE	DESIGN UNITS	THIRD ANGLE PROJECTION	TITLE:		
10 UNDER 未滿	mm INCH	<input type="checkbox"/> <input type="checkbox"/> <input checked="" type="checkbox"/>	1.4 LCD Conn Rec (Hgt=0.45)		
10 OVER 以上	30 UNDER 未滿		Embstp Pkg		
30 OVER 以上			APPROVED BY & DATE		
ANGLE 角度			T.YAMAGUCHI 01/04/25		

EC NO.	DRWN:	CH'K:	APPR:
EC NO.	DRWN:	CH'K:	APPR:
EC NO.	DRWN:	CH'K:	APPR:
EC NO.	DRWN:	CH'K:	APPR:
EC NO.	DRWN:	CH'K:	APPR:
RELEASED 01/04/25	EC NO. JC2001-0563	DRWN: M.HAYASHI	CH'K: T.ITO
		APPR: T.YAMAGUCHI	
REV	DESCRIPTION	MATERIAL 材料	
0	FINISH 仕上げ	注記参照 SEE NOTES	
	WIRE RANGE 適用電線範囲	注記参照 SEE NOTES	
	INS. RANGE 被覆外径	//	

GENERAL TOLERANCES: (UNLESS SPECIFIED) 一般公差	SCALE	DESIGN UNITS	THIRD ANGLE PROJECTION
10 UNDER 未滿 ±0.2	1:1	mm INCH	<input type="checkbox"/> <input type="checkbox"/> <input checked="" type="checkbox"/>
10 OVER 以上 30 UNDER 未滿 ±0.25			
30 OVER 以上 ±0.3			
ANGLE 角度 ±3°			

DRAWN BY & DATE				MATERIAL NO.				DRAWING NO.				SHEET NO.			
M.HAYASHI 01/04/25				54873-008				SD-54873-008				2 OF 2			
CHECKED BY & DATE				MATERIAL NO.				DRAWING NO.				SHEET NO.			
T.ITO 01/04/25				SEE CHART				SD-54873-008				2 OF 2			
APPROVED BY & DATE				MATERIAL NO.				DRAWING NO.				SHEET NO.			
T.YAMAGUCHI 01/04/25				SEE CHART				SD-54873-008				2 OF 2			
MOLEX INCORPORATED												THIS DRAWING CONTAINS INFORMATION THAT IS PROPRIETARY TO MOLEX INCORPORATED AND SHOULD NOT BE USED WITHOUT WRITTEN PERMISSION.			
												SIZE B			

54873008.S02