

Housing - DC-B 6-H-80/O2STM20S-M - 1581124

Please be informed that the data shown in this PDF Document is generated from our Online Catalog. Please find the complete data in the user's documentation. Our General Terms of Use for Downloads are valid (<http://download.phoenixcontact.com>)



DUPLICON, aluminum stackable housing for DUPLICON contact inserts, type B6, IP67 degree of protection, with two locking latches, seal and two M20 cable screw connection threads (without cable gland), angled outlet



Key commercial data

Packing unit	1 1
Weight per Piece (excluding packing)	290.3 GRM
Custom tariff number	85389099
Country of origin	Slovenia

Technical data

Dimensions

Height	37 mm
--------	-------

Ambient conditions

Degree of protection for housing	IP65
	IP66
	IP67
Ambient temperature (operation)	-40 °C ... 125 °C

General

Design	DC-B6
Housing type	Sleeve housings
Color	pearl gray
Locking type	With locking latch
Cable exit	Lateral
Screw connection	None
Type of the screw connection	With 2x M20 thread
Housing material	Aluminum die-cast

Housing - DC-B 6-H-80/O2STM20S-M - 1581124

Technical data

General

Housing surface material	EMC-conductive
Seal material	NBR
Material lock	Stainless steel
Material grip body interlock	PA

Classifications

eCl@ss

eCl@ss 4.0	272607xx
eCl@ss 4.1	27260701
eCl@ss 5.0	27143424
eCl@ss 5.1	27143424
eCl@ss 6.0	27143424
eCl@ss 7.0	27440209
eCl@ss 8.0	27440209

ETIM

ETIM 3.0	EC000437
ETIM 4.0	EC000437
ETIM 5.0	EC000437

UNSPSC

UNSPSC 6.01	31261502
UNSPSC 7.0901	31261502
UNSPSC 11	31261502
UNSPSC 12.01	31261502
UNSPSC 13.2	31261502

Accessories

Accessories

Device marking

Label - EML (26,5X12)R SR - 0816854



Label, Roll, silver/matt, Unlabeled, Can be labeled with: THERMOMARK ROLL, THERMOMARK X, THERMOMARK S1.1, Mounting type: Adhesive, Lettering field: 26.5 x 12 mm

Housing - DC-B 6-H-80/O2STM20S-M - 1581124

Accessories

Full screw connection

Cable gland - HC-K-KV-M25(11-17) - 1690639



Plastic screw connection up to 5 bar, thread length: 8 mm, cable diameter: 11 - 17 mm, WAF 29, screw connection: M25

Cable gland - HC-K-KV-M20(8-13) - 1690626



Plastic screw connection up to 5 bar, thread length: 8 mm, cable diameter: 8 - 13 mm, WAF 24, screw connection: M20

Seal

Grommet - DC-B 6-A-HD-G - 1602326

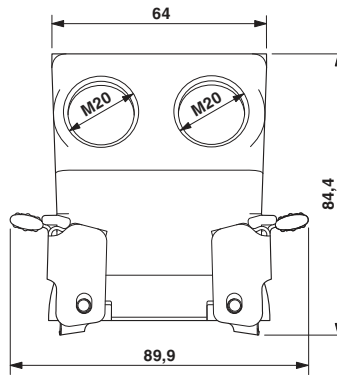


DUPLICON, profile gasket for stackable housing, made of conductive EPDM

Drawings

Housing - DC-B 6-H-80/O2STM20S-M - 1581124

Dimensioned drawing



Dimensional drawing